

# **AD-285 Parts Manual 1987 thru 1991**

**American Dryer Corporation**  
88 Currant Road  
Fall River, MA 02720-4781  
Telephone: (508) 678-9010 / Fax: (508) 678-9447

123191

ADC Part No. 450085

## **Retain This Manual In A Safe Place For Future Reference**

American Dryer Corporation products embody advanced concepts in engineering, design, and safety. If this product is properly maintained, it will provide many years of safe, efficient, and trouble-free operation.

*ONLY properly licensed technicians should service this equipment.*

*Observe all safety precautions displayed on the equipment or specified in the Installation/Operator's Manual included with the dryer.*

**WARNING: UNDER NO CIRCUMSTANCES should the dryer door switch or the heat circuit devices ever be disabled.**

**WARNING: The dryer must never be operated with any of the back guards, outer tops, or service panels removed. PERSONAL INJURY or FIRE COULD RESULT.**

We have tried to make this manual as complete as possible and hope you will find it useful. ADC reserves the right to make changes from time to time, without notice or obligation, in prices, specifications, colors, and materials and to change or discontinue models.

### **Important**

For your convenience, log the following information:

DATE OF PURCHASE \_\_\_\_\_ MODEL NO. AD-285

DISTRIBUTOR'S NAME \_\_\_\_\_

Serial Number(s) \_\_\_\_\_  
\_\_\_\_\_  
\_\_\_\_\_

Replacement parts can be ordered from your distributor or the ADC factory. When ordering replacement parts from the factory, you can fax your order to ADC at (508) 678-9447 or telephone your orders directly to the ADC Parts Department at (508) 678-9010. Please specify the dryer model number and serial number in addition to the description and part number, so that your order is processed accurately and promptly.

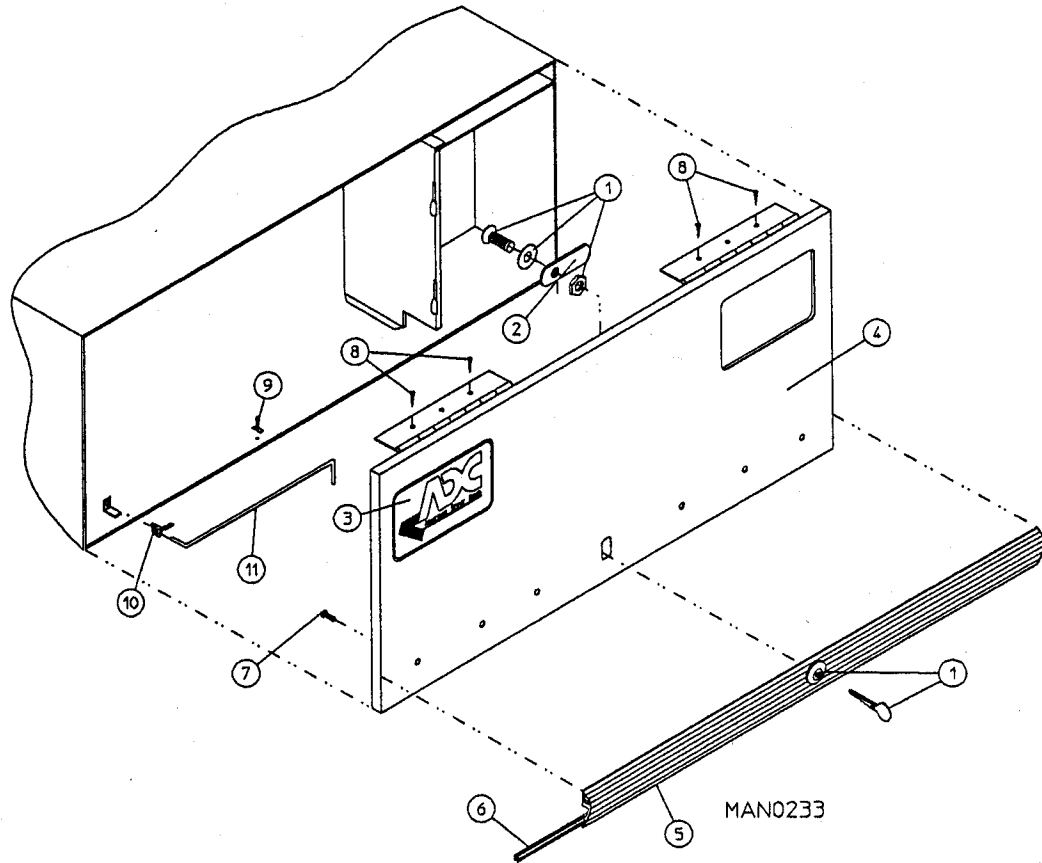
The illustrations on the following pages may not depict your particular dryer exactly. The illustrations are a composite of the various dryer models. Be sure to check the descriptions of the parts thoroughly before ordering.

**INSTRUCTIONS TO BE FOLLOWED IN THE EVENT THE USER SMELLS GAS MUST BE POSTED IN A PROMINENT LOCATION. THE INSTRUCTIONS TO BE POSTED SHALL BE OBTAINED FROM THE LOCAL GAS SUPPLIER.**

# TABLE OF CONTENTS

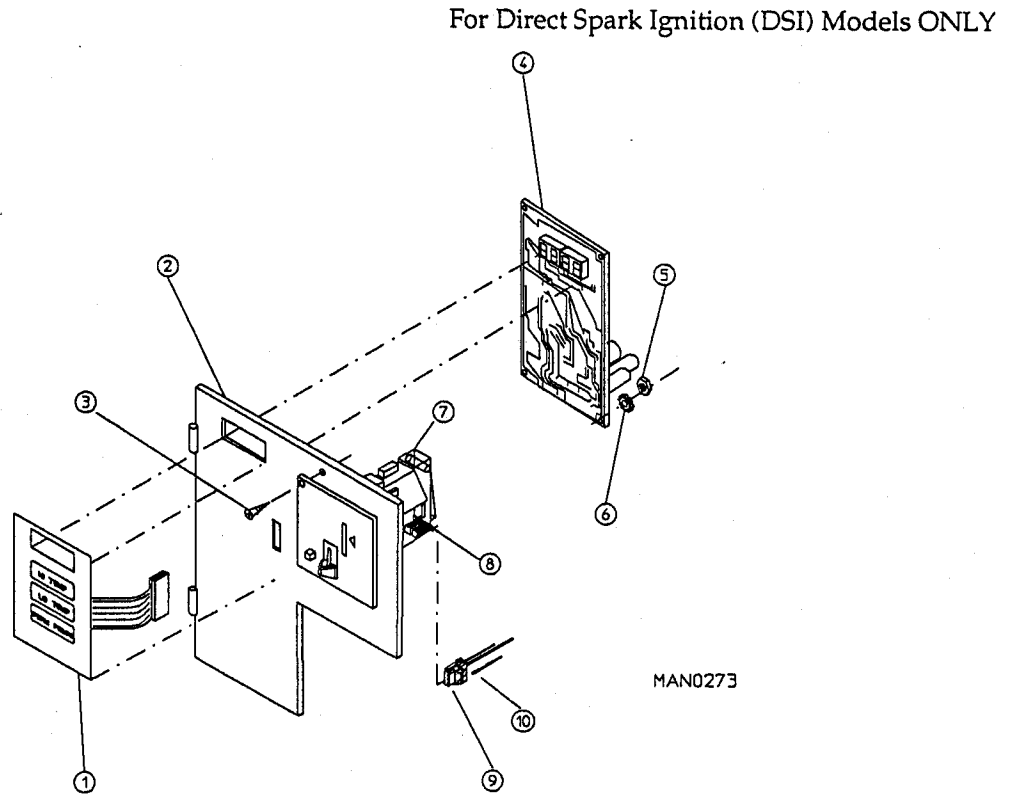
High Security Control Door Assembly .....	3
Phase 4.1 Single Coin Microprocessor Control Panel Assembly	
For Direct Spark Ignition (DSI) Models ONLY .....	4
Phase 4.1 Single Coin Microprocessor Control Box Assembly	
For Direct Spark Ignition (DSI) Models ONLY .....	5
Phase 4.1 Dual Coin Microprocessor Control Panel Assembly	
For Direct Spark Ignition (DSI) Models ONLY .....	6
Phase 4.1 Dual Coin Microprocessor Control Box Assembly	
For Direct Spark Ignition (DSI) Models ONLY .....	7
Phase 4 Single Coin Microprocessor Control Panel / Box Assembly	
For Glo-Bar Ignition Models ONLY .....	8, 9
Phase 4 Dual Coin Microprocessor Control Panel / Box Assembly	
For Glo-Bar Ignition Models ONLY .....	10, 11
Phase 4 OPL Microprocessor Control Panel Assembly	
For Direct Spark Ignition (DSI) Models ONLY .....	12
Phase 4 OPL Microprocessor Control Box Assembly	
For Direct Spark Ignition (DSI) Models ONLY .....	13
Phase 3 OPL Microprocessor Control Panel Assembly	
For Glo-Bar Ignition Models ONLY .....	14
Phase 3 OPL Microprocessor Control Box Assembly	
For Glo-Bar Ignition Models ONLY .....	15
Dual Timer Control Panel / Box Assembly	
For Direct Spark Ignition (DSI) Models ONLY .....	16, 17
Dual Timer Control Panel / Box Assembly	
For Glo-Bar Ignition Models ONLY .....	18, 19
Non-Microprocessor Coin Control Panel / Box Assembly	
For Direct Spark Ignition (DSI) and Glo-Bar Ignition Models .....	20, 21
Coin Meter Replacement Parts .....	22
AD-285 Coin Vault Assembly .....	23
Front Panel Assembly	
Latch-Type .....	24
Front Panel Assembly	
Magnet-Type .....	25
Main Door Assembly	
Latch-Type .....	26
Main Door Assembly	
Magnet-Type .....	27
Main Door Switch Assembly	
N.S. Series .....	28

Main Door Switch Assembly	
<b>Plunger-Type</b> .....	29
AD-285 Drop Lint Door Assembly .....	30
AD-285 Lint Trap Assembly .....	31
AD-285 Basket (Tumbler) / Support Assembly	
<b>Tapered Rib</b>	
For Models Mfd. as of April 18, 1991 .....	32
AD-285 Basket (Tumbler) / Support Assembly	
<b>Standard Rib</b>	
For Models Mfd. Prior to April 18, 1991 .....	33
Tumbler Bearing Assembly .....	34, 35
Idler Bearing Assembly .....	36, 37
AD-285 Totally Enclosed, Fan-Cooled Motor Mount Assembly	
<b>For 60 Hz Models with Tapered Ribs ONLY</b> .....	38, 39
AD-285 Totally Enclosed, Fan-Cooled Motor Mount Assembly	
<b>For 60 Hz Models with Standard Ribs ONLY</b> .....	40, 41
AD-285 Totally Enclosed, Fan-Cooled Motor Mount Assembly	
<b>For 50 Hz Models with Tapered and Standard Ribs</b> .....	42, 43
Sensor Bracket Assemblies .....	44, 45
ADG-285 Direct Spark Ignition (DSI) Burner Assembly .....	46, 47
ADG-285 Hi/Lo Microprocessor Burner Assembly	
For Glo-Bar Ignition Models ONLY .....	48, 49
ADG-285 Non-Microprocessor (Standard) Burner Assembly	
For Glo-Bar Ignition Models ONLY .....	50, 51
Sail Switch / Hi-Limit Assembly .....	52, 53
Replacement Coils For 3/8" Hi/Lo Gas Valve	
For Glo-Bar Ignition Models ONLY .....	54
Replacement Coils For 3/8" Non-Hi/Lo Gas Valve	
For Glo-Bar Ignition Models ONLY .....	55
3-Phase Motor, Electric Relay Panel Assembly	
<b>Telemecanique</b> (208/230 VAC Controls) .....	56
3-Phase Motor, Electric Relay Panel Assembly	
<b>Furnas</b> (208/230 VAC Controls) .....	57
Control / Heat Stepdown Transformer	
For Glo-Bar Ignition Models ONLY .....	58
AD-285 Outer Top / Back Guard Assembly .....	59
Additional Parts Available .....	60
Microprocessor Coin Acceptor Listing .....	61
Wiring Diagrams	
Table Of Contents .....	62
Wiring Diagrams .....	63 - 83



Illus. No.	Part Number	Qty.	Description
1	160015	1	High-Security MK-100 Lock Assembly Only with Key
	160104	1	MK-100 Key Only
	160017	1	Special Dummy Lock (non-coin models only)
2	160016	1	Lock Cam Only
3	112350	1	ADC Logo Only
	870011	1	Logo Double Tape Kit
4	800019*	1	AD-285 High Security Control Door Assembly Complete (includes illus. nos. 4 through 7)
	800143	1	AD-285 Stainless Steel High Security Control Door Assembly Complete (includes illus. nos. 4 through 7)
5	180203	1	AD-285 Top Trim Strip with Lock Hole (28-3/8" length)
6	102307	3	Trim Bumper Gasket (sold in feet)
7	150201	4	#10-32 x 1/4" Phillips Round Head Machine Screw
8	150415	4	#10-16 x 1/2" Phillips Round Head Crimptite Screw
9	102600	1	Control Door Support Rod Catch
10	102601	1	Control Door Rod Retainer Clip
11	102503	1	Control Door Support Rod

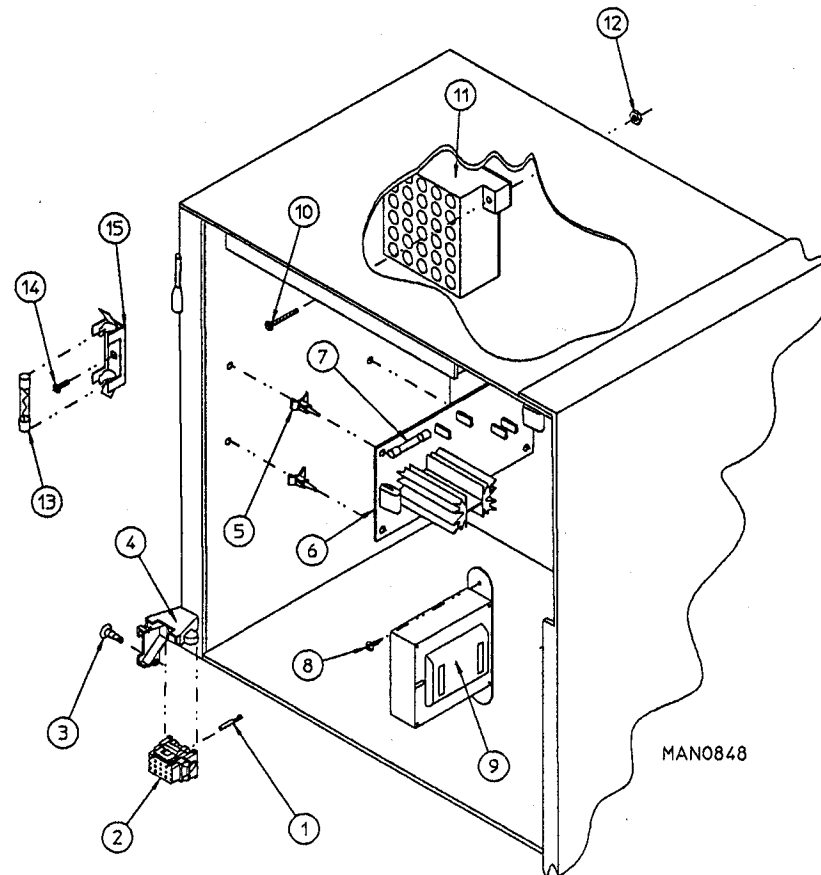
\* Specify color when ordering.



Illus. No.	Part Number	Qty.	Description
1	112526	1	Coin Keyboard Label Assembly
2	865098	1	Phase 4.1 Coin Control Panel Assembly (includes illus. nos. 1, 2, 4, 5, and 6)
	865099	1	Phase 4.1 Coin Control Panel Assembly with Battery Option (includes illus. nos. 1, 2, 4, 5, and 6)
	800040	1	Microprocessor Coin Control Panel Only
	800039	1	Microprocessor Coin Control Panel Only with Battery Bracket
3	150415	1	#10-16 x 1/2" Phillips Round Head Crimptite Screw
4	137130	1	Phase 4.1 Coin Microprocessor Controller Only
	137131	1	Phase 4.1 Coin Microprocessor Controller Only with Battery Clip
5	152001	4	#8-32 Hex Nut
6	153012	4	#8 Star Washer
7	-----	1	Microprocessor Single Coin Acceptor with Optical Switch (refer to <b>Microprocessor Coin Acceptor Listing</b> on <a href="#">page 61</a> )
8	137056	1	Optical Switch Only
9	137023	1	Optical Switch Connector Only
10	137021	3	Microprocessor Socket Only
	865050	1	Single Coin Optical Switch Harness
---	122800	1	Microprocessor (female) Pin Extraction Tool

**IMPORTANT:** Check label on computer chip to verify correct part number for microprocessor controller.

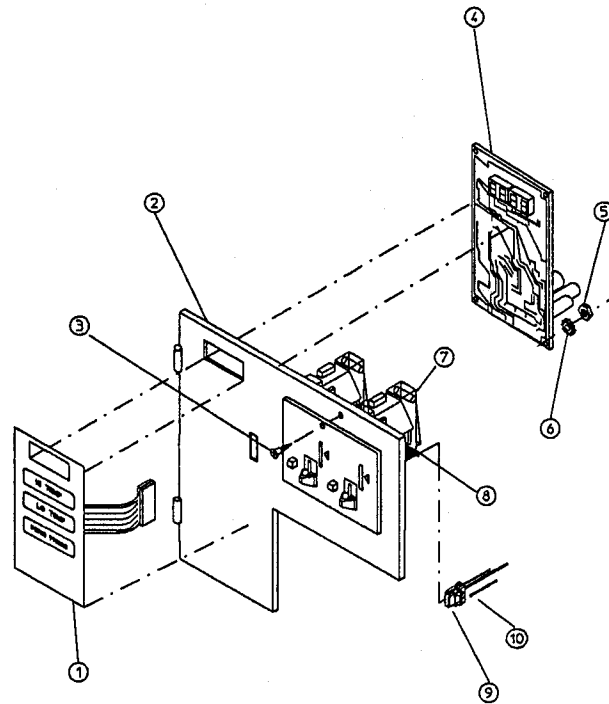
For Direct Spark Ignition (DSI) Models ONLY



Illus. No.	Part Number	Qty.	Description
1	137021	12	Microprocessor Socket Only
2	137020	1	15-Pin Microprocessor Connector Only
	122800	1	Microprocessor (female) Pin Extraction Tool
3	150315	1	#6 x 3/8" Phillips Pan Head Screw
4	137022	1	15-Pin Strain Relief Only
5	137013	4	Nylon Standoff
6	137151	1	Motor Control Solid State Relay Board, 1 HP, 125VAC-250VAC/1Ø/50/60
7	136057	*	1/2-Amp (Slo Blo) Fuse Only
	136052	*	4-Amp Fuse Only
8	150300	2	#10 x 1/2" Hex Washer TEK Screw
9	141403	1	DSI 24VAC Transformer (for gas models ONLY)
10	150002	2	#6-32 x 1" Round Head Machine Screw
11	120715	1	30-Position Terminal Block
12	151000	2	#6-32 Pal Nut
13	136057	*	1/2-Amp (Slo Blo) Fuse Only
14	150301	*	#8-18 x 7/16" Phillips Pan Head TEK Screw
15	136008	1	Fuse Block/Strip Only

\* As required.

For Direct Spark Ignition (DSI) Models ONLY



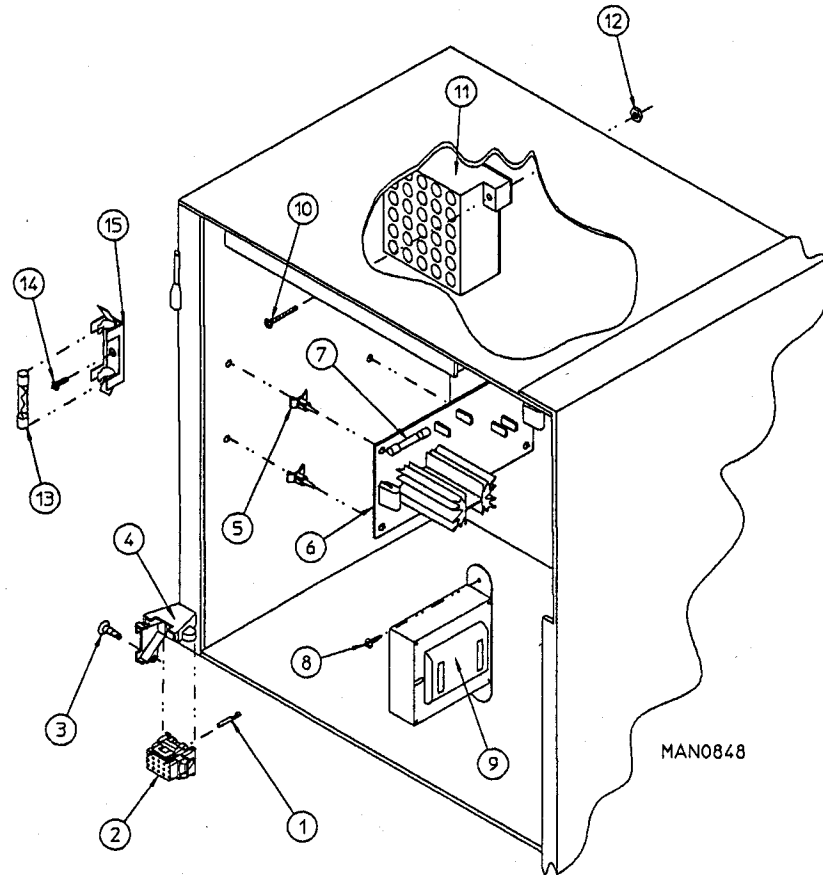
MAN0276

Illus. No.	Part Number	Qty.	Description
1	112526	1	Coin Keyboard Label Assembly
2	865098	1	Phase 4.1 Coin Control Panel Assembly (includes illus. nos. 1, 2, 4, 5, and 6)
	865099	1	Phase 4.1 Coin Control Panel Assembly with Battery Option (includes illus. nos. 1, 2, 4, 5, and 6)
	800040	1	Microprocessor Coin Control Panel Only
	800039	1	Microprocessor Coin Control Panel Only with Battery Bracket
3	150415	1	#10-16 x 1/2" Phillips Round Head Crimptite Screw
4	137130	1	Phase 4.1 Coin Microprocessor Controller Only
	137131	1	Phase 4.1 Coin Microprocessor Controller Only with Battery Clip
5	152001	4	#8-32 Hex Nut
6	153012	4	#8 Star Washer
7	-----	1	Microprocessor Dual Coin Acceptor with Optical Switch (refer to Microprocessor Coin Acceptor Listing on page 61)
8	137056	2	Optical Switch Only
9	137023	2	Optical Switch Connector Only
10	137021	6	Microprocessor Socket Only
	865050	1	Single Coin Optical Switch Harness
—	122800	1	Microprocessor (female) Pin Extraction Tool

**IMPORTANT:** Check label on computer chip to verify correct part number for microprocessor controller.



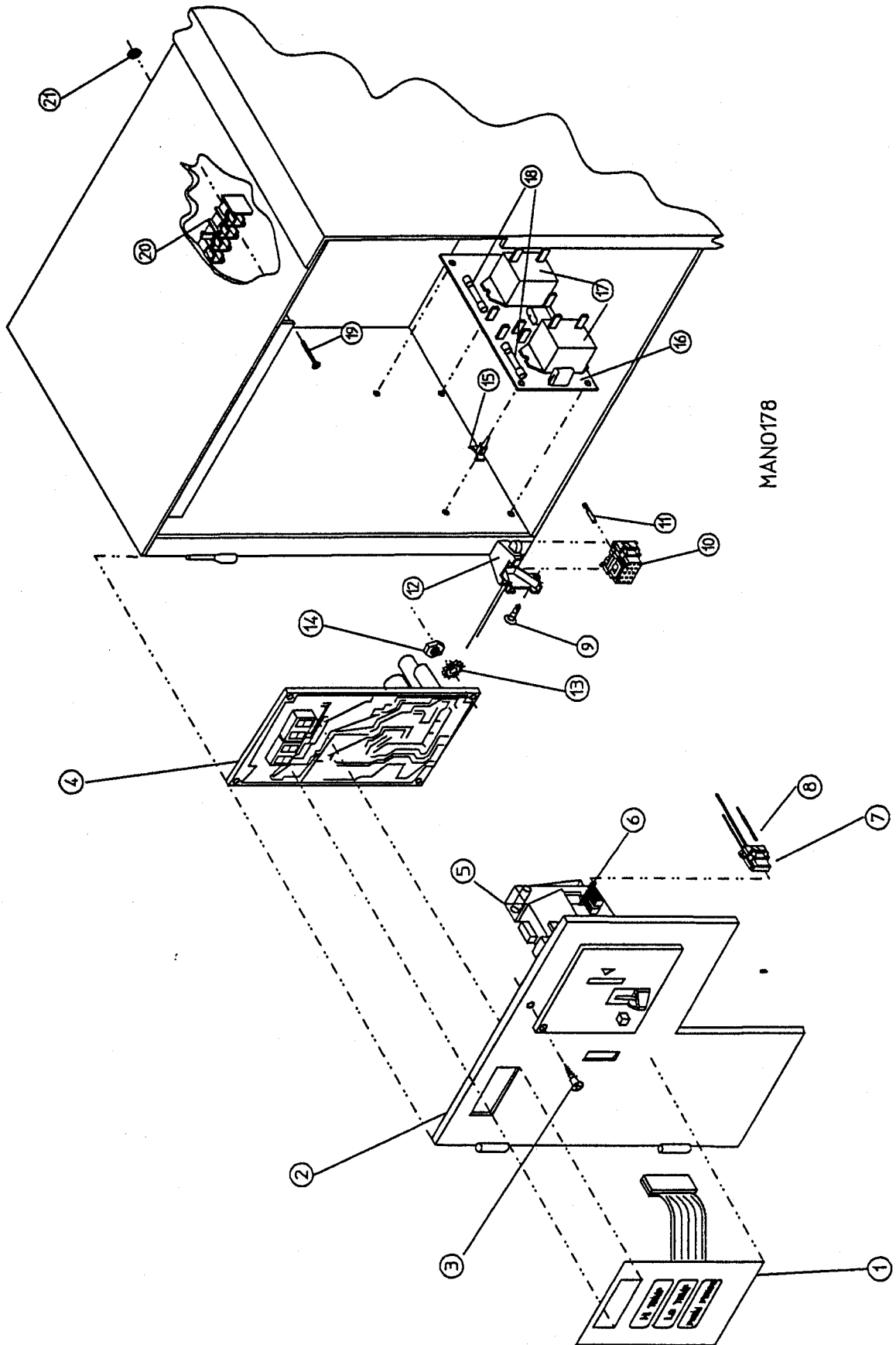
For Direct Spark Ignition (DSI) Models ONLY



Illus. No.	Part Number	Qty.	Description
1	137021	12	Microprocessor Socket Only
2	137020	1	15-Pin Microprocessor Connector Only
	122800	1	Microprocessor (female) Pin Extraction Tool
3	150315	1	#6 x 3/8" Phillips Pan Head Screw
4	137022	1	15-Pin Strain Relief Only
5	137013	4	Nylon Standoff
6	137151	1	Motor Control Solid State Relay Board, 1 HP, 125VAC-250VAC/1Ø/50/60
7	136057	*	1/2-Amp (Slo Blo) Fuse Only
	136052	*	4-Amp Fuse Only
8	150300	2	#10 x 1/2" Hex Washer TEK Screw
9	141403	1	DSI 24VAC Transformer (for gas models ONLY)
10	150002	2	#6-32 x 1" Round Head Machine Screw
11	120715	1	30-Position Terminal Block
12	151000	2	#6-32 Pal Nut
13	136057	*	1/2-Amp (Slo Blo) Fuse Only
14	150301	*	#8-18 x 7/16" Phillips Pan Head TEK Screw
15	136008	1	Fuse Block/Strip Only

\* As required.

For Glo-Bar Ignition Models ONLY

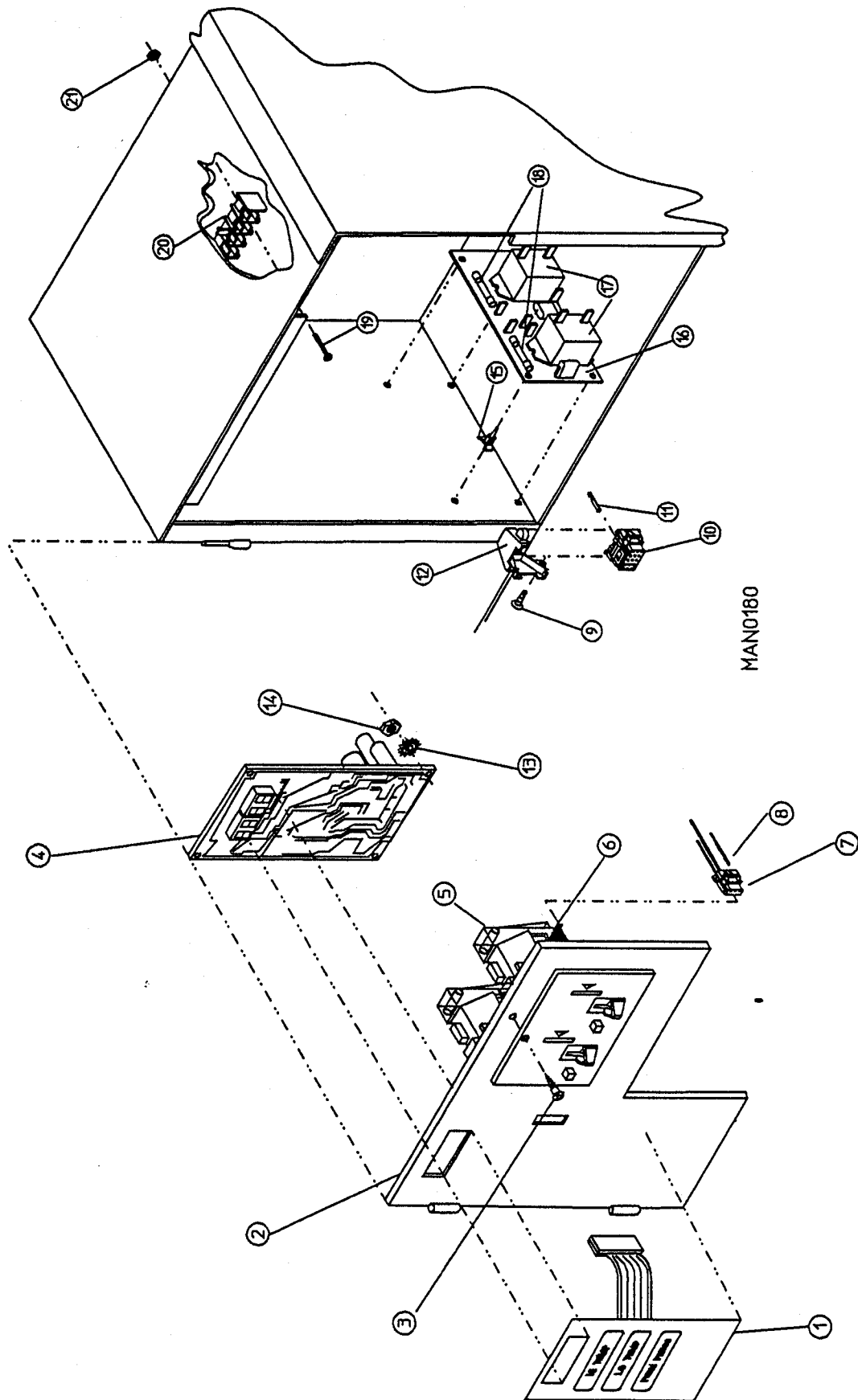


For Glo-Bar Ignition Models ONLY

Illus. No.	Part Number	Qty.	Description
1	112526	1	Coin Keyboard Label Assembly
2	800088	1	Phase 4 Coin Microprocessor Control Panel Assembly (includes illus. nos. 1, 2, 4, 13, and 14)
	800168	1	Phase 4 Coin Microprocessor Control Panel Assembly with Battery Option (includes illus. nos. 1, 2, 4, 13, and 14)
	800040	1	Microprocessor Coin Control Panel Only
	800039	1	Microprocessor Coin Control Panel Only with Battery Bracket
3	150415	1	#10-16 x 1/2" Phillips Round Head Crimpite Screw
4	137110	1	Phase 4 Coin Microprocessor Controller Only
	137115	1	Phase 4 Coin Microprocessor Controller Only with Battery Clip
5	-----	1	Microprocessor Single Coin Acceptor with Optical Switch (refer to Microprocessor Single Coin Acceptor Listing on <a href="#">page 61</a> )
6	137056	1	Optical Switch Only
7	137023	1	Optical Switch Connector Only
8	137021	3	Microprocessor Socket Only
	865050	1	Single Coin Optical Switch Harness
9	150315	1	#6 x 3/8" Phillips Pan Head Screw
10	137020	1	15-Pin Microprocessor Connector Only
11	137021	14	Microprocessor Socket Only
	122800	1	Microprocessor (female) Pin Extraction Tool
12	137022	1	15-Pin Strain Relief Only
13	153012	4	#8 Star Washer
14	152001	4	#8-32 Hex Nut
15	137013	4	Nylon Standoff
16	137077	1	Arc Suppressor Board with Relays (115VAC)
	137061	1	Arc Suppressor Board Only without Relays
	137150	1	Solid State Relay Board Only (for 115 volt application ONLY)
17	137151	2	Motor Control Solid State Relay Board, 1 HP, 125VAC-250VAC/1Ø/50/60
18	136052	2	4-Amp Fuse Only
19	150002	2	#6-32 x 1" Round Head Machine Screw
20	120709	1	Terminal Strip (8-position)
21	151000	2	#6-32 Pal Nut

**IMPORTANT:** Check label on computer chip to verify correct part number for microprocessor controller.

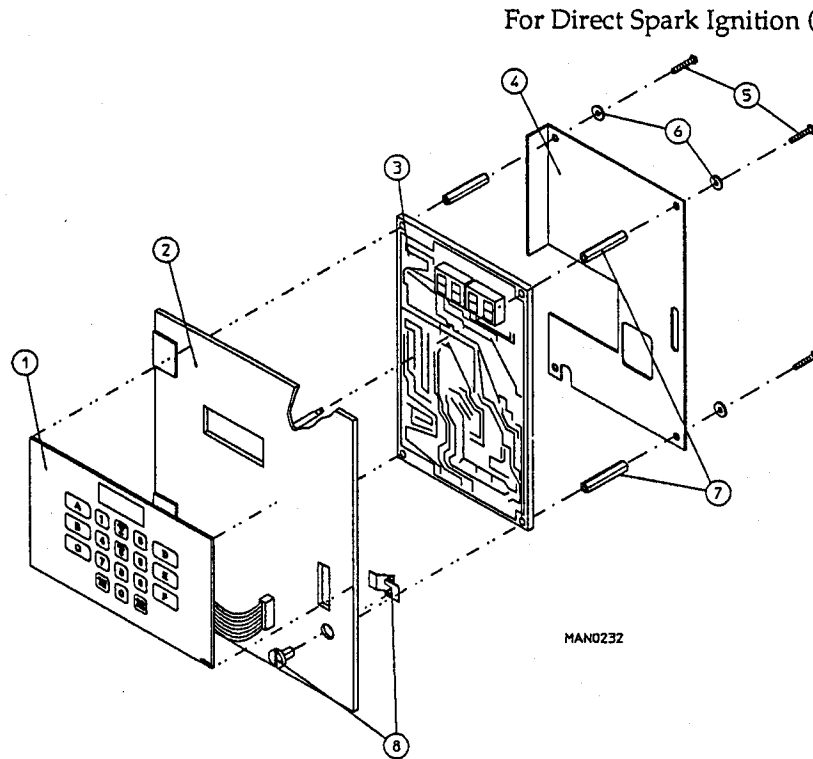
For Glo-Bar Ignition Models ONLY



For Glo-Bar Ignition Models ONLY

<u>Illus. No.</u>	<u>Part Number</u>	<u>Qty.</u>	<u>Description</u>
1	112526	1	Coin Keyboard Label Assembly
2	800088	1	Phase 4 Coin Microprocessor Control Panel Assembly (includes illus. nos. 1, 2, 4, 13, and 14)
	800168	1	Phase 4 Coin Microprocessor Control Panel Assembly with Battery Option (includes illus. nos. 1, 2, 4, 13, and 14)
	800040	1	Microprocessor Coin Control Panel Only
	800039	1	Microprocessor Coin Control Panel Only with Battery Bracket
3	150415	1	#10-16 x 1/2" Phillips Round Head Crimptite Screw
4	137110	1	Phase 4 Coin Microprocessor Controller Only
	137115	1	Phase 4 Coin Microprocessor Controller Only with Battery Clip
5	-----	1	Microprocessor Single Coin Acceptor with Optical Switch (refer to Microprocessor Dual Coin Acceptor Listing on <u>page 61</u> )
6	137056	1	Optical Switch Only
7	137023	1	Optical Switch Connector Only
8	137021	3	Microprocessor Socket Only
	865051	1	Dual Coin Optical Switch Harness
9	150315	1	#6 x 3/8" Phillips Pan Head Screw
10	137020	1	15-Pin Microprocessor Connector Only
11	137021	14	Microprocessor Socket Only
	122800	1	Microprocessor (female) Pin Extraction Tool
12	137022	1	15-Pin Strain Relief Only
13	153012	4	#8 Star Washer
14	152001	4	#8-32 Hex Nut
15	137013	4	Nylon Standoff
16	137077	1	Arc Suppressor Board with Relays (115VAC)
	137061	1	Arc Suppressor Board Only without Relays
	137150	1	Solid State Relay Board Only (for 115 volt application ONLY)
17	137151	2	Motor Control Solid State Relay Board, 1 HP, 125VAC-250VAC/1Ø/50/60
18	136052	2	4-Amp Fuse Only
19	150002	2	#6-32 x 1" Round Head Machine Screw
20	120709	1	Terminal Strip (8-position)
21	151000	2	#6-32 Pal Nut

**IMPORTANT:** Check label on computer chip to verify correct part number for microprocessor controller.

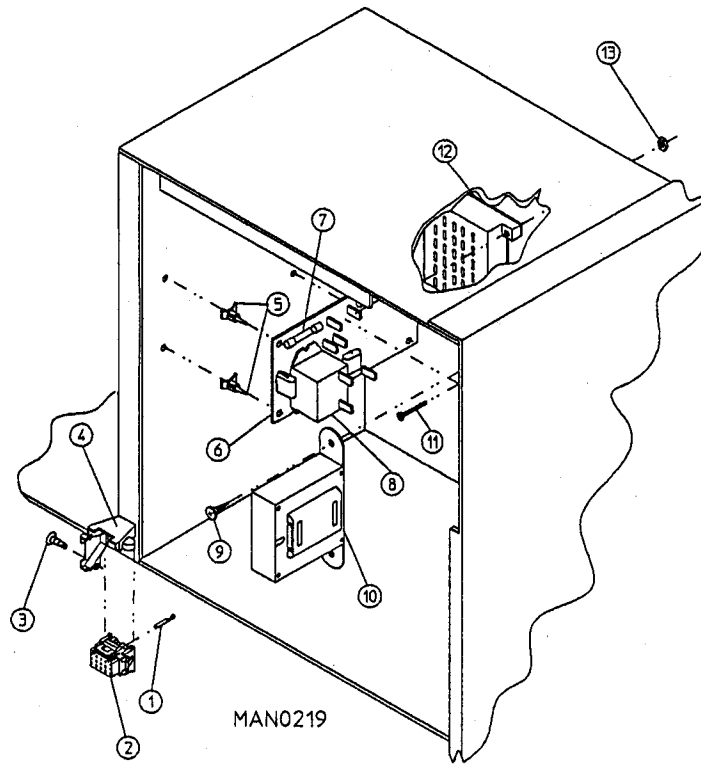


Illus. No.	Part Number	Qty.	Description
1	112535	1	OPL English Keyboard Label Assembly
	112276	1	OPL Stick-on Labels (English Only) ... Not Illustrated
	112275	1	OPL Stick-on Labels (Spanish, Italian, and Hebrew) ... Not Illustrated
	112277	1	3-Language OPL Stick-on Labels (English, Spanish, and Hebrew) ... Not Illustrated
	112278	1	5-Language OPL Stick-on Labels (Italian, Dutch, French, German, and Chinese ... Not Illustrated
2	800057	1	Microprocessor Control Panel Only
	800164	1	Microprocessor Control Panel Only with Battery Bracket
	800171	1	Phase 4 OPL Non-Reversing Microprocessor Control Panel Assembly Complete (includes illus. nos. 1 through 8)
	865095	1	Phase 4 OPL Non-Reversing Microprocessor Control Panel Assembly Complete with Battery Option (includes illus. nos. 1 through 8)
3	137125	1	Phase 4 OPL Non-Reversing Microprocessor Controller Only
	137126	1	Phase 4 OPL Non-Reversing Microprocessor Controller Only with Battery Clip
4*	306052	1	Electrostatic Shield Only
5	150108*	4	#8-32 x 1/2" Pan Head Machine Screw
	152001	4	#8-32 Hex Nut
6*	153000	4	#8 Steel Burr
7*	137011	4	8/32" Aluminum Standoff
8	160005	1	Spring Turn Latch (2-piece)

**IMPORTANT:** Check label on computer chip to verify correct part number for microprocessor controller.

\* Used on gas dryer models with the Direct Spark Ignition (DSI) system mfd. prior to March 13, 1989.

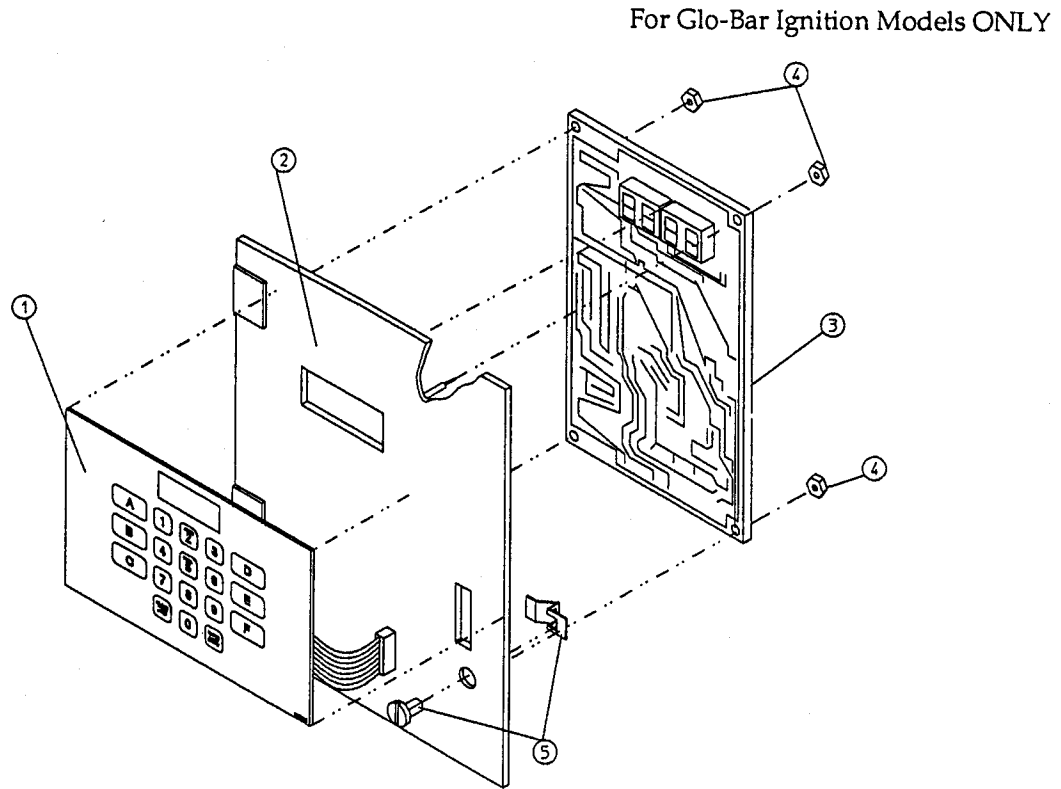
For Direct Spark Ignition (DSI) Models ONLY



Illus. No.	Part Number	Qty.	Description
1	137021	12*	Microprocessor Socket Only
2	137020	1	15-Pin Microprocessor Connector Only
	122800	1	Microprocessor (female) Pin Extraction Tool
3	150315	1	#6 x 3/8" Phillips Pan Head Screw
4	137022	1	15-Pin Strain Relief Only
5	137013	4	Nylon Standoff
6	137076	1	Arc Suppressor Board with Relay (115 volt controls only)
	137078	1	Arc Suppressor Board with Relay (208/230 volt controls only)
	137061	1	Arc Suppressor Board Only without Relay
	137151	1	Motor Control Solid State Relay Board, 1 HP, 125VAC-250VAC/1Ø/50/60
7	136052	1**	4-Amp Fuse Only
8	131916	1	Electromechanical Relay Only (115VAC)
	131930	1	Electromechanical Relay Only (208/230VAC)
9	150300	2	#10-32 x 1/2" Hex Washer TEK Screw
10	141403	1	DSI 24VAC Transformer (for gas models ONLY)
11	150002	2	#6-32 x 1" Round Head Machine Screw
12	120715	1	30-Position Terminal Block
	120709	1	Terminal Strip (8-position)
13	151000	2	#6-32 Pal Nut

\* Some models require a quantity of 14.

\*\* Some models require a quantity of 2.



MAN0175

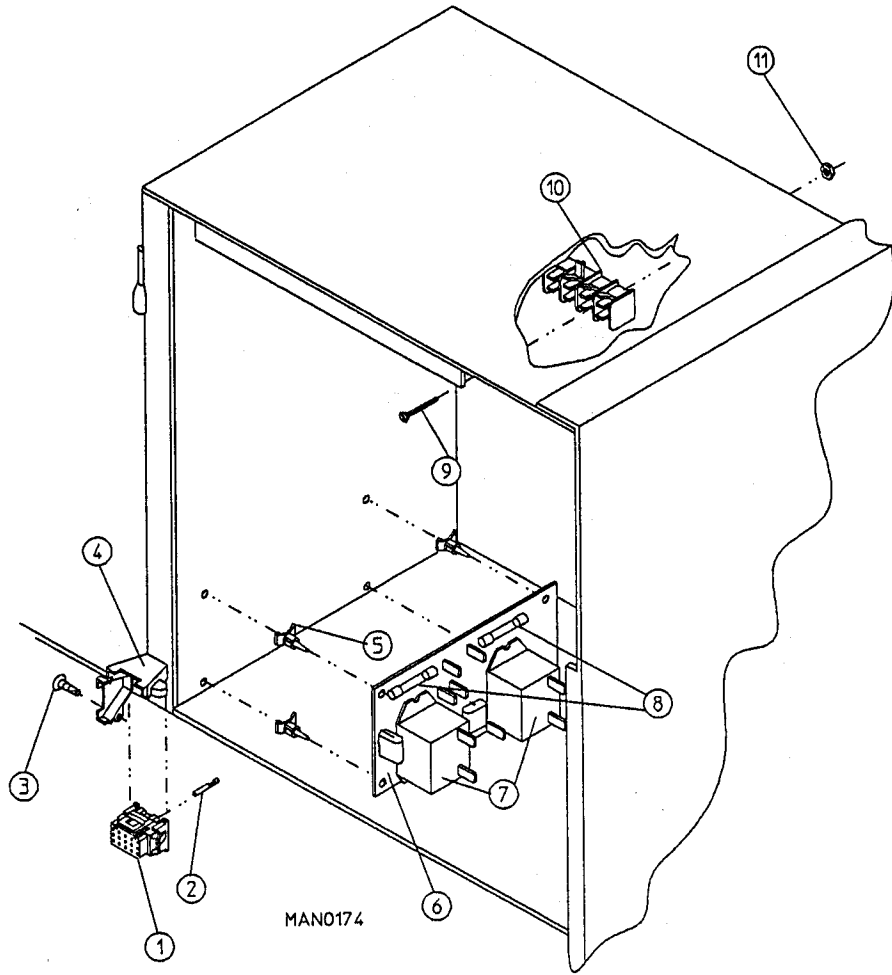
Illus. No.	Part Number	Qty.	Description
1	112535	1	OPL English Keyboard Label Assembly
	112276	1	OPL Stick-on Labels (English Only) ... Not Illustrated
	112275	1	OPL Stick-on Labels (Spanish, Italian, and Hebrew) ... Not Illustrated
	112277	1	3-Language OPL Stick-on Labels (English, Spanish, and Hebrew) ... Not Illustrated
	112278	1	5-Language OPL Stick-on Labels (Italian, Dutch, French, German, and Chinese ... Not Illustrated
2	800057	1	Microprocessor Control Panel Only
	800164	1	Microprocessor Control Panel Only with Battery Bracket
	800161	1	Phase 3 OPL Non-Reversing Microprocessor Control Panel Assembly Complete (includes illus. nos. 1 through 5)
	800163	1	Phase 3 OPL Non-Reversing Microprocessor Control Panel Assembly Complete with Battery Option (includes illus. nos. 1 through 5)
3	137092	1	Phase 3 OPL Non-Reversing Microprocessor Controller Only
	137093	1	Phase 3 OPL Non-Reversing Microprocessor Controller Only with Battery Clip
4	152001	1	#8-32 Hex Nut
5	160005	1	Spring Turn Latch (2-piece)

**IMPORTANT:** Check label on computer chip to verify correct part number for microprocessor controller.

**NOTE:** OPL microprocessor controllers listed are suitable for all voltage applications.



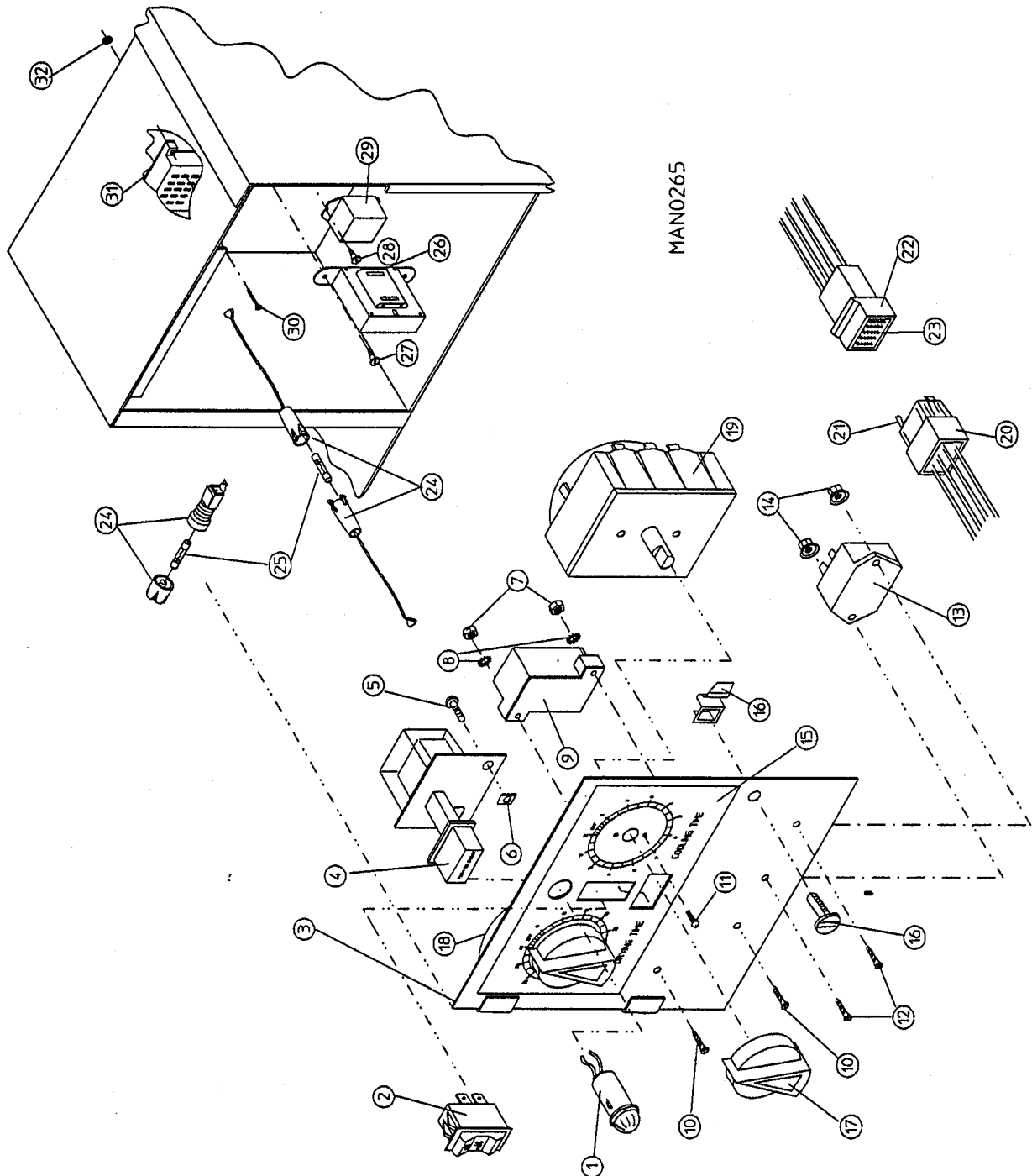
For Glo-Bar Ignition Models ONLY



Illus. No.	Part Number	Qty.	Description
------------	-------------	------	-------------

1	137020	1	15-Pin Microprocessor Connector Only
2	137021	13	Microprocessor Socket Only
	122800	1	Microprocessor (female) Pin Extraction Tool
3	150315	1	#6 x 3/8" Phillips Pan Head Screw
4	137022	1	15-Pin Strain Relief Only
5	137013	4	Nylon Standoff
6	137077	1	Arc Suppressor Board with Relays (115 volt controls only)
	137061	1	Arc Suppressor Board Only without Relays
	137150	1	Solid State Relay (115 volt application only)
	137151	1	Motor Control Solid State Relay Board, 1 HP, 125VAC-250VAC/1Ø/50/60
7	131916	2	Electromechanical Relay Only (115VAC)
8	136052	2	4-Amp Fuse Only
9	150002	2	#6-32 x 1" Round Head Machine Screw
10	120709	1	Terminal Strip (8-position)
11	151000	2	#6-32 Pal Nut

For Direct Spark Ignition (DSI) Models ONLY



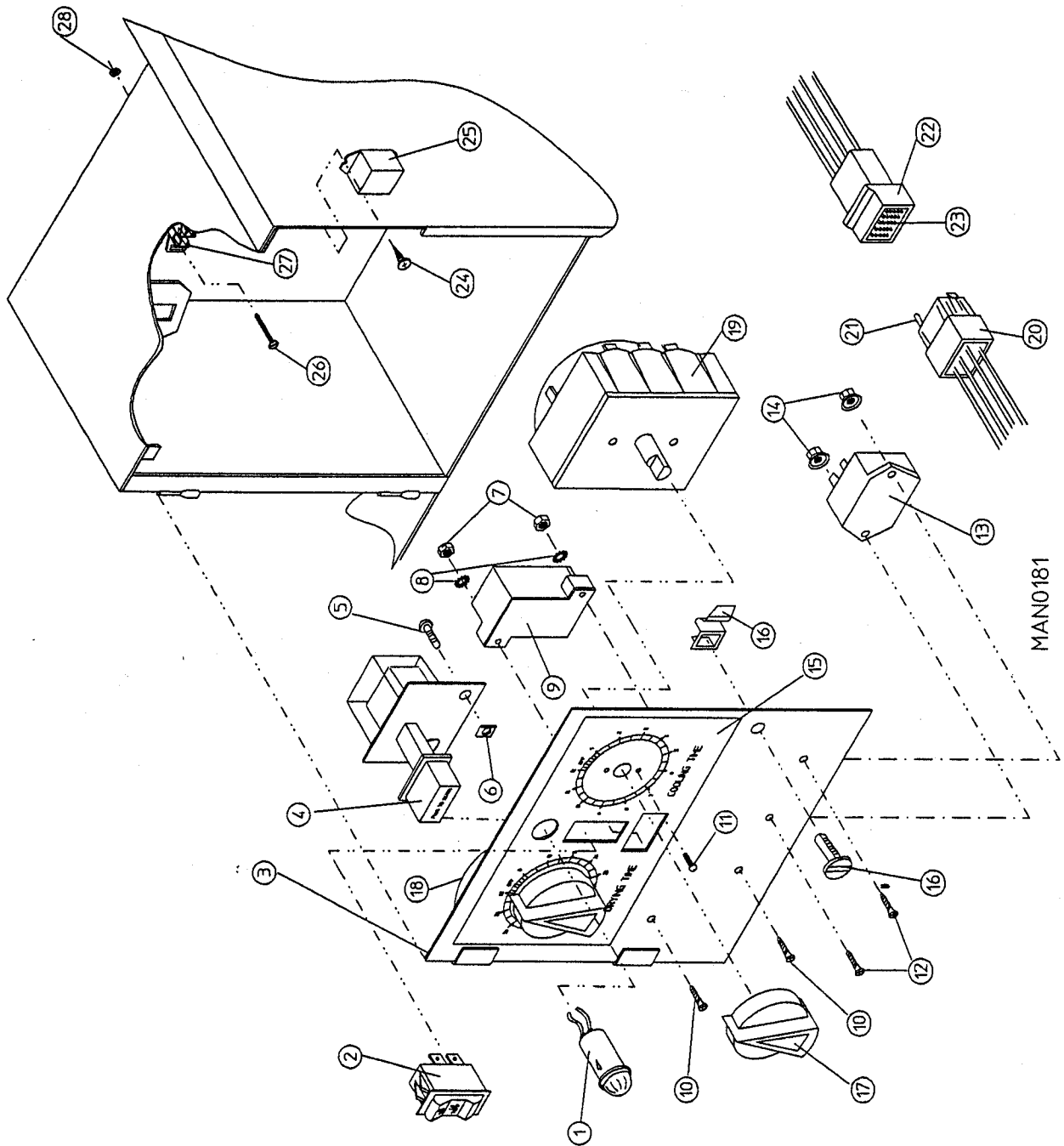
For Direct Spark Ignition (DSI) Models ONLY

Illus. No.	Part Number	Qty.	Description
1	123000	1	Red Indicator Light (115 volt)
	123001	1	Red Indicator Light (230 volt)
2	122400	1	Rocker Heat Selector Switch
3	865550	1	Dual Timer Control Panel Assembly Complete 115VAC (includes illus. nos. 1 through 21)
	865551	1	Dual Timer Control Panel Assembly Complete 230VAC (includes illus. nos. 1 through 21)
	800051	1	Dual Timer Control Panel Only
4	131812	1	Push-to-Start Relay (115 volt)
	131813	1	Push-to-Start Relay (230 volt)
5	150207	2	#10-24 x 1/2" Round Head Machine Screw
6	154001	2	#10-24 Speed Nut
7	152013	2	#6-32 Hex Nut
8	153010	2	#6 Star Washer
9	120708	1	3-Position Terminal Block
	120713	1	18-Position Terminal Block
10	150002	2	#6-32 x 1" Round Head Machine Screw
11	150110	4	#8-32 x 1/4" Phillips Head Machine Screw
12	150001	2	#6-32 x 1/2" Round Head Machine Screw
13	131030	1	Dual Timer Relay (115 volt)
	131031	1	Dual Timer Relay (230 volt)
14	151000	2	#6-32 Pal Nut
15	112050	1	Dual Timer Label Only
16	160005	1	Spring Turn Latch (2-piece)
17	124103	2	Arrow Timer Knob Only
18	124020	1	60-Minute Timer (115 volt)
	124021	1	60-Minute Timer (230 volt)
19	124022	1	15-Minute Timer (115 volt)
	124023	1	15-Minute Timer (230 volt)
20	122602	1	9-Pin Connector Only
21	122700	9	Pin Terminal Only
22	122603	1	9-Pin Socket Connector Only
23	122701	9	Socket Terminal Only
	122801	1	Pin/Socket Extraction Tool
24	136002*	1	Panel Mount Fuse Holder Assembly Only
	875250*	1	In-Line Fuse Holder Assembly Only
25**	136052	1	4-Amp Fuse Only
	136054	1	15-Amp (Slo Blo) Fuse Only
	136056	1	20-Amp (Slo Blo) Fuse Only
26	141403	1	DSI 24VAC Transformer
27	150300	2	#10 x 1/2" Hex Washer TEK Screw
28	150415	2	#10-16 x 1/2" Phillips Round Head CrimpTite Screw
29	131814	1	Motor Control Relay Only (115 volt)
	131815	1	Motor Control Relay Only (230 volt)
30	150002	2	#6-32 x 1" Round Head Machine Screw
31	120715	1	30-Position Terminal Block
	120709	1	Terminal Strip (8-position)
32	151000	2	#6-32 Pal Nut

\* Model application varies.

\*\* Check fuse rating for verification.

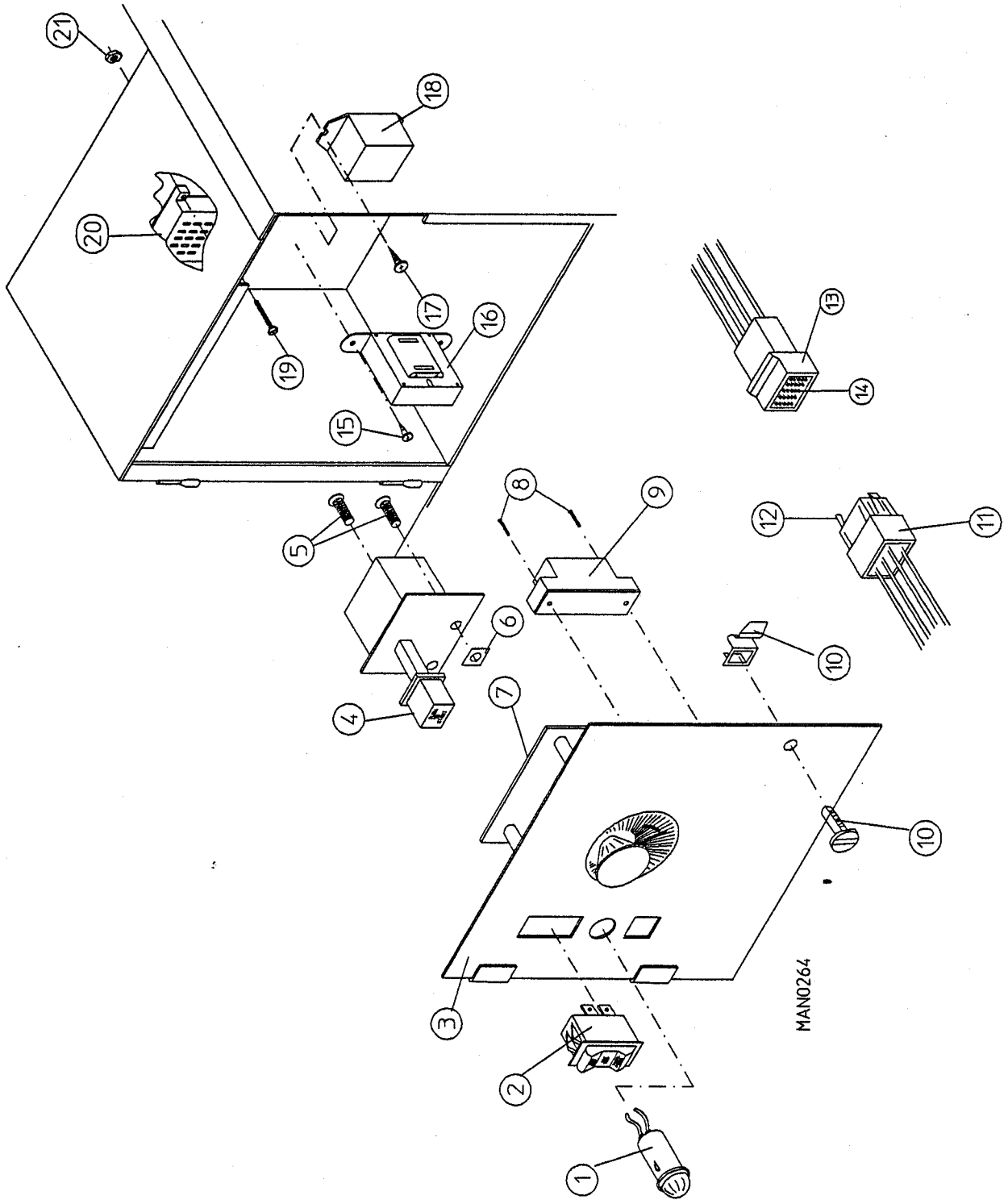
For Glo-Bar Ignition Models ONLY



For Glo-Bar Ignition Models ONLY

Illus. No.	Part Number	Qty.	Description
1	123000	1	Red Indicator Light (115 volt)
	123001	1	Red Indicator Light (230 volt)
2	122400	1	Rocker Heat Selector Switch
3	865550	1	Dual Timer Control Panel Assembly Complete 115VAC (includes illus. nos. 1 through 21)
	865551	1	Dual Timer Control Panel Assembly Complete 230VAC (includes illus. nos. 1 through 21)
	800051	1	Dual Timer Control Panel Only
4	131812	1	Push-to-Start Relay (115 volt)
	131813	1	Push-to-Start Relay (230 volt)
5	150207	2	#10-24 x 1/2" Round Head Machine Screw
6	154001	2	#10-24 Speed Nut
7	152013	2	#6-32 Hex Nut
8	153010	2	#6 Star Washer
9	120708	1	3-Position Terminal Block
	120713	1	18-Position Terminal Block
10	150002	2	#6-32 x 1" Round Head Machine Screw
11	150110	4	#8-32 x 1/4" Phillips Head Machine Screw
12	150001	2	#6-32 x 1/2" Round Head Machine Screw
13	131030	1	Dual Timer Relay (115 volt)
	131031	1	Dual Timer Relay (230 volt)
14	151000	2	#6-32 Pal Nut
15	112050	1	Dual Timer Label Only
16	160005	1	Spring Turn Latch (2-piece)
17	124103	2	Arrow Timer Knob Only
18	124020	1	60-Minute Timer (115 volt)
	124021	1	60-Minute Timer (230 volt)
19	124022	1	15-Minute Timer (115 volt)
	124023	1	15-Minute Timer (230 volt)
20	122602	1	9-Pin Connector Only
21	122700	9	Pin Terminal Only
22	122603	1	9-Pin Socket Connector Only
23	122701	9	Socket Terminal Only
	122801	1	Pin/Socket Extraction Tool
24	150415	2	#10-16 x 1/2" Phillips Round Head Crimptite Screw
25	131814	1	Motor Control Relay Only (115 volt)
	131815	1	Motor Control Relay Only (230 volt)
26	150002	2	#6-32 x 1" Round Head Machine Screw
27	120709	1	Terminal Strip (8-position)
28	151000	2	#6-32 Pal Nut

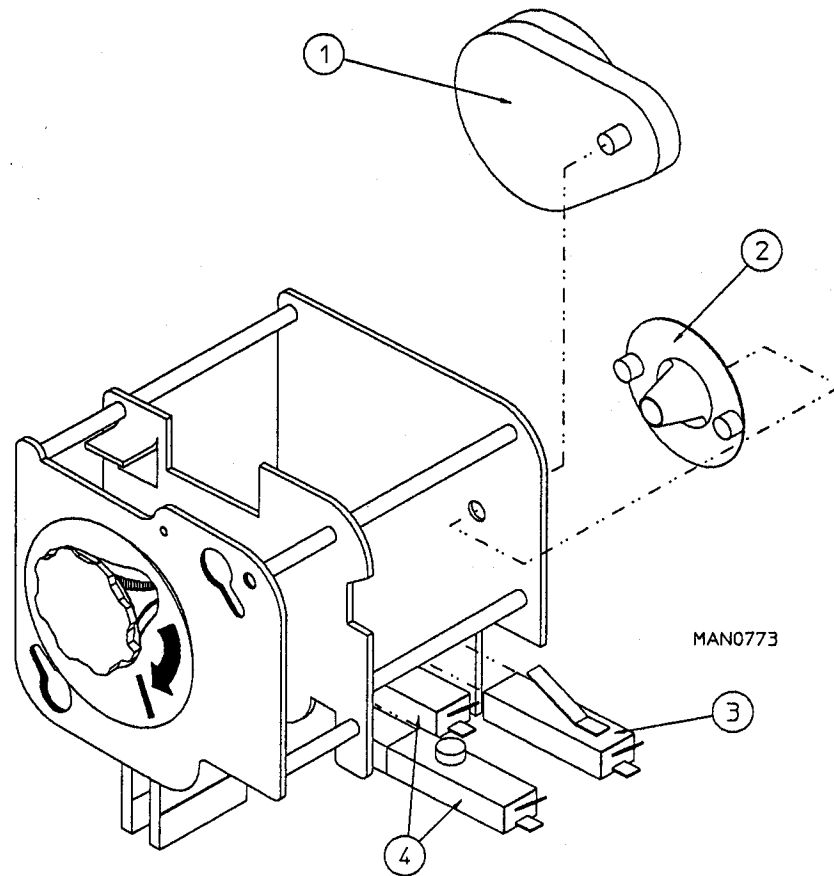
For Direct Spark Ignition (DSI) and Glo-Bar Ignition Models



For Direct Spark Ignition (DSI) and Glo-Bar Ignition Models

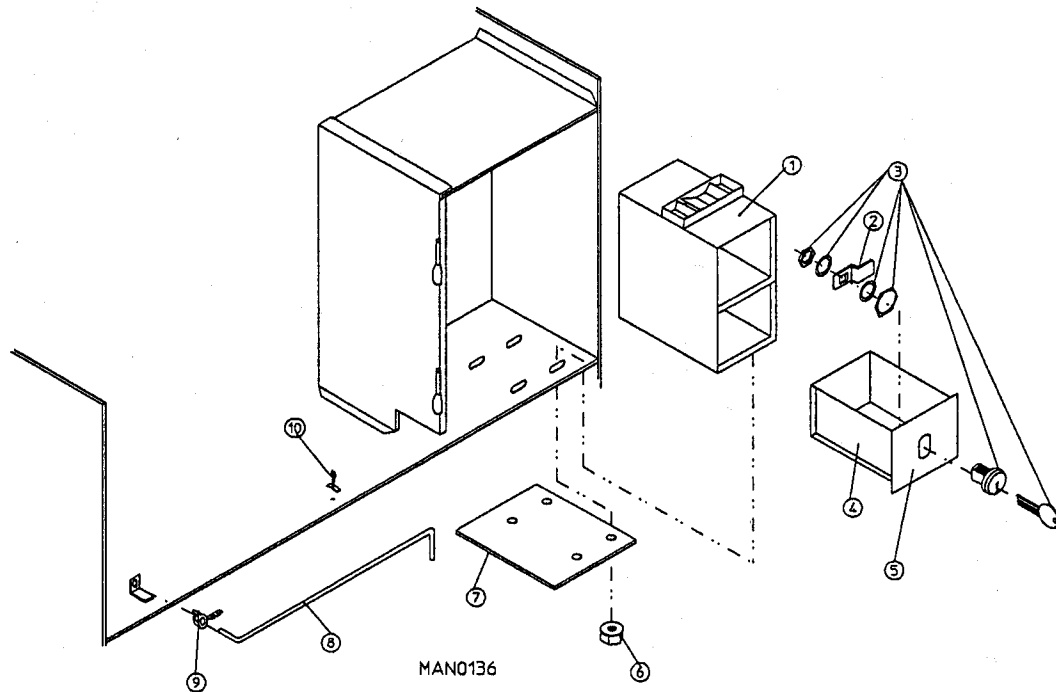
Illus. No.	Part Number	Qty.	Description
1	123000	1	Red Indicator Light (115 volt)
	123001	1	Red Indicator Light (230 volt)
2	122400	1	Rocker Heat Selector Switch
3	800070	1	Coin Meter Control Panel Assembly Complete 115VAC (includes illus. nos. 1 through 6 and 8 through 12)
	800071	1	Coin Meter Control Panel Assembly Complete 230VAC (includes illus. nos. 1 through 6 and 8 through 12)
	800052	1	Coin Meter Control Panel Only
4	131812	1	Push-to-Start Relay (115 volt)
	131813	1	Push-to-Start Relay (230 volt)
5	150207	2	#10-24 x 1/2" Round Head Machine Screw
6	154001	2	#10-24 Speed Nut
7*	125000	1	25¢ 115 Volt Meter (specify timing)
	125003	1	25¢ 230 Volt Meter (specify timing)
8	150303	2	#4 x 3/4" Pan Head "A" Screw
9	120713	1	18-Position Terminal Block (for models mfd. as of May 15, 1989)
	120707	1	Terminal Strip ((2-position) (for models mfd. prior to May 15, 1989)
10	160005	1	Spring Turn Latch (2-piece)
11	122602	1	9-Pin Connector Only
12	122700	9	Pin Terminal Only
13	122603	1	9-Pin Socket Connector Only
14	122701	9	Socket Terminal Only
	122801	1	Pin/Socket Extraction Tool
15	150300	2	#10 x 1/2" Hex Washer TEK Screw
16	141403	1	DSI 24VAC Transformer (for Direct Spark Ignition [DSI] models ONLY)
17	150415	2	#10-16 x 1/2" Phillips Round Head Crimptite Screw
18	131814	1	Motor Control Relay Only (115 volt)
	131815	1	Motor Control Relay Only (230 volt)
19	150002	2	#6-32 x 1" Round Head Machine Screw
20	120715	1	30-Position Terminal Block (for Direct Spark Ignition [DSI] models ONLY)
	120709	1	Terminal Strip (8-position)
21	151000	2	#6-32 Pal Nut

\* Consult factory for coin meters not listed.



Illus. No.	Part Number	Qty.	Description
1	125511	1	1/60 RPM 115 Volt 60 Hz Meter Motor
	125532	1	1/60 RPM 230 Volt 60 Hz Meter Motor
	125512	1	1/60 RPM 240 Volt 50 Hz Meter Motor
	125513	1	1/30 RPM 240 Volt 50 Hz Meter Motor
	2	125500	1
125501		1	3-Point Cam
125502		1	4-Point Cam
125503		1	5-Point Cam
125504		1	6-Point Cam
125506		1	8-Point Cam
125507		1	9-Point Cam
125508		1	10-Point Cam
125510		1	12-Point Cam
3		125515	1
4	125516	2	Master Switch "A" or "C"

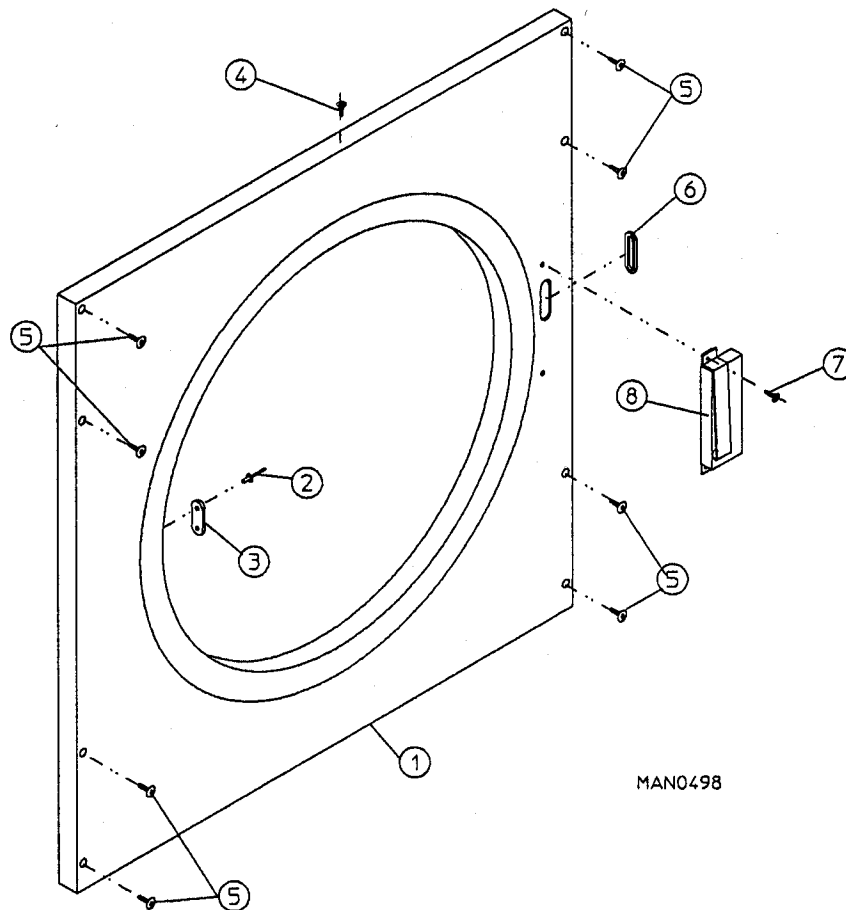




Illus. No.	Part Number	Qty.	Description
1	802131	1	AD-285 <u>Microprocessor</u> Coin Vault Assembly Complete (includes illus. nos. 1 through 6)
	802130	1	AD-285 <u>Non-Microprocessor</u> Coin Vault Assembly Complete (includes illus. nos. 1 through 6)
	802121	1	AD-285 <u>Microprocessor</u> Coin Vault Only
	802120	1	AD-285 <u>Non-Microprocessor</u> Coin Vault Only
2	160006	1	Cam for 1/4-Turn Lock Only
3	160007	1	1/4-Turn Lock with Key
	160105*	1	1/4-Turn Mer-Pel Key Only
4	802020	1	1/4-Turn Coin Box Assembly (includes illus. nos. 2 through 5)
	802019	1	1/4-Turn Coin Box Only without Faceplate
5	802018	1	1/4-Turn Coin Box Faceplate Only
6	152014	4	1/4-20 Free Spin Wash Nut
7	309250	1	AD-285 Coin Vault Slot Cover
8	102503	1	AD-285 Control Door Support Rod
9	102601	1	Control Door Rod Retainer Clip
10	102600	1	Control Door Support Rod Catch

\* Specify key number when ordering.

Latch-Type

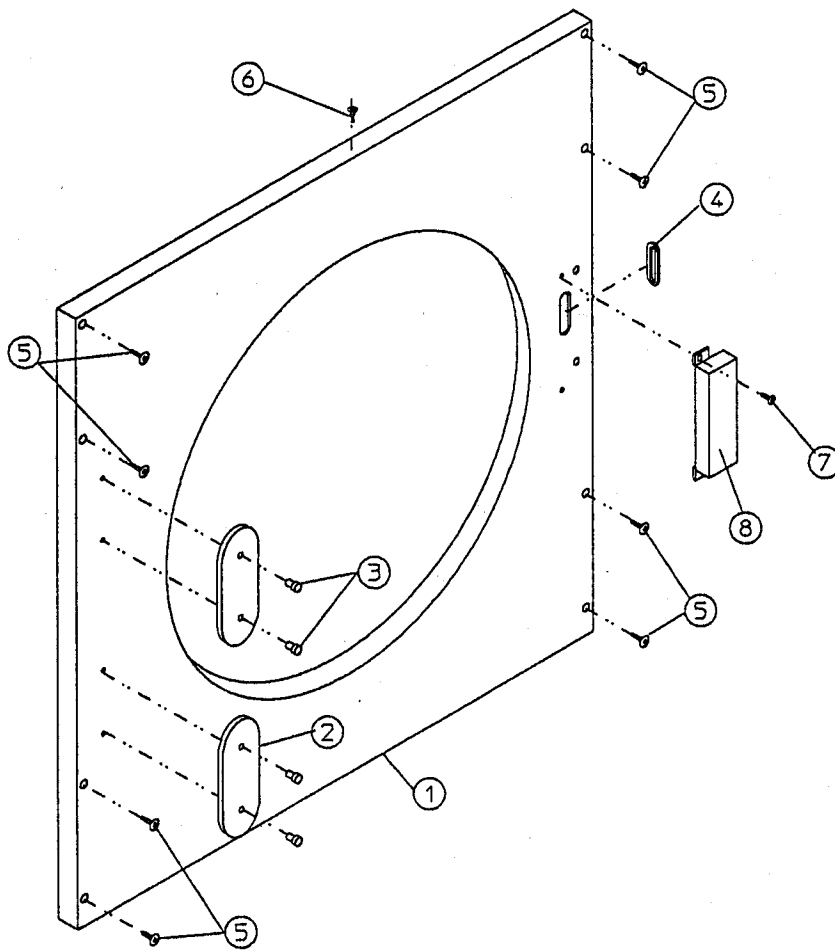


MAN0498

Illus. No.	Part Number	Qty.	Description
1*	800676	1	AD-285 Front Panel Assembly (latch-type) Complete with Hinge (includes illus. nos. 1, 2, 3, and 6)
	800677	1	AD-285 Stainless Steel Front Panel Assembly (latch-type) Complete with Hinge (includes illus. nos. 1, 2, 3, and 6)
2	154215	2	5/32" Pop Rivet
3	170330	1	Friction Door Latch
4	150300	1	#10 x 1/2" Hex Washer TEK Screw
5	150415	8	#10-16 x 1/2" Phillips Round Head Crimpite Screw
6	121405	1	Rubber Grommet
7	150205	2	#10-32 x 1/4" Fillister Head Screw
8	-----	1	N.S. Series Door Switch (FOR MICROPROCESSOR MODELS MFD. AS OF NOVEMBER 21, 1990, and NON-MICROPROCESSOR MODELS MFD. AS OF NOVEMBER 15, 1990) Refer to N. S. Series Main Door Switch Assembly on <a href="#">page 28</a>

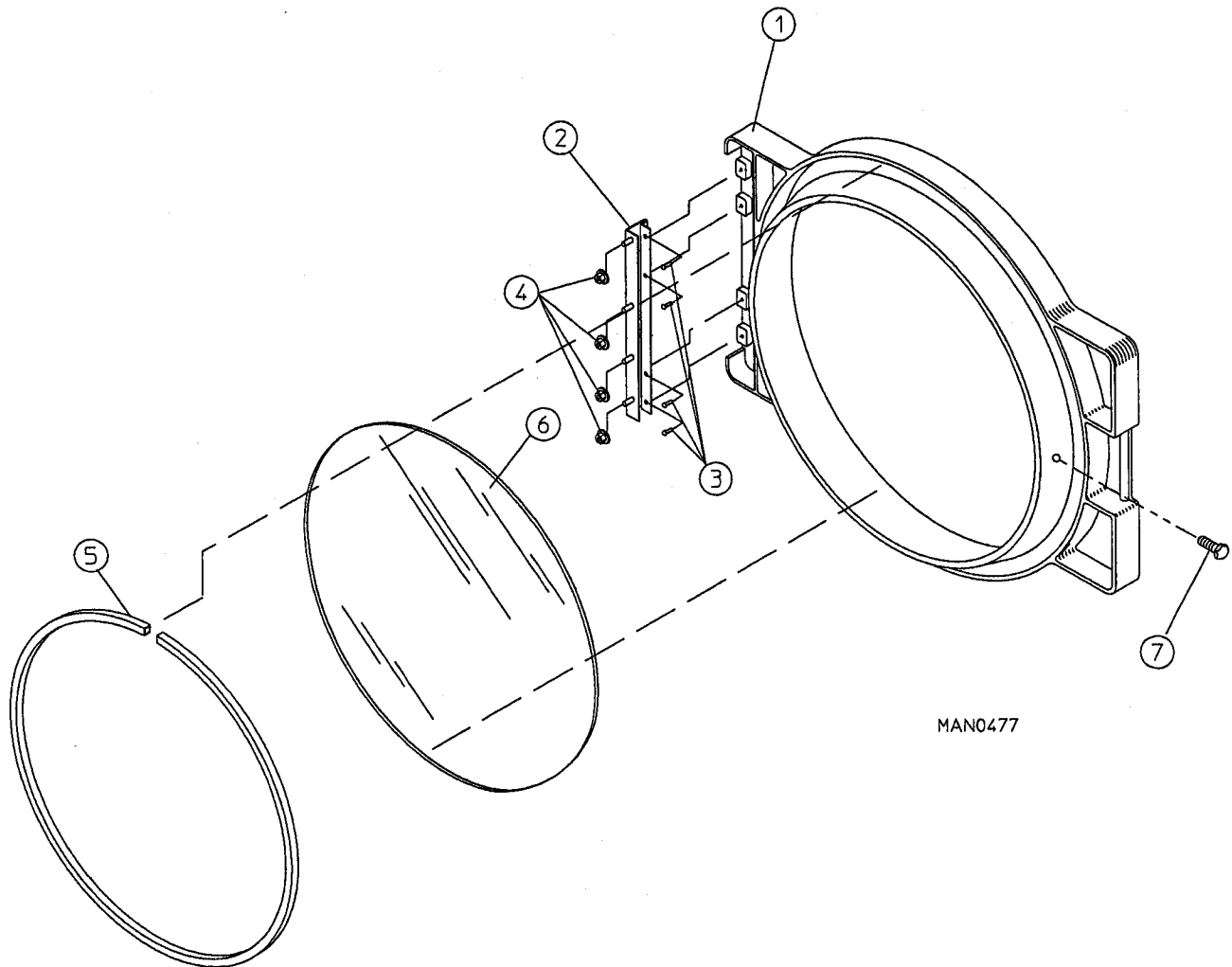
\* Specify color when ordering.

Magnet-Type



Illus. No.	Part Number	Qty.	Description
1*	800389	1	AD-285 Front Panel Assembly (magnet-type) Complete with Hinge (includes illus. nos. 1, 2, 3, and 6)
	800384	1	AD-285 Stainless Steel Front Panel Assembly (magnet-type) Complete without Hinge (includes illus. nos. 1, 2, 3, and 6)
2	170340	2	3-1/2" Stainless Steel Striker Pad
3	154200	1	5/32" Pop Rivet
4	121405	1	Rubber Grommet
5	150415	8	#10-16 x 1/2" Phillips Round Head Crimptite Screw
6	150300	1	#10 x 1/2" Hex Washer TEK Screw
7	150201	2	#10-32 x 1/4" Phillips Pan Head Screw
8	-----	1	N.S. Series Door Switch (FOR MICROPROCESSOR MODELS MFD. PRIOR TO NOVEMBER 21, 1990, and FOR NON-MICROPROCESSOR MODELS MFD. PRIOR TO NOVEMBER 15, 1990) Refer to Main Door Switch Assembly on page 29

\* Specify color when ordering.

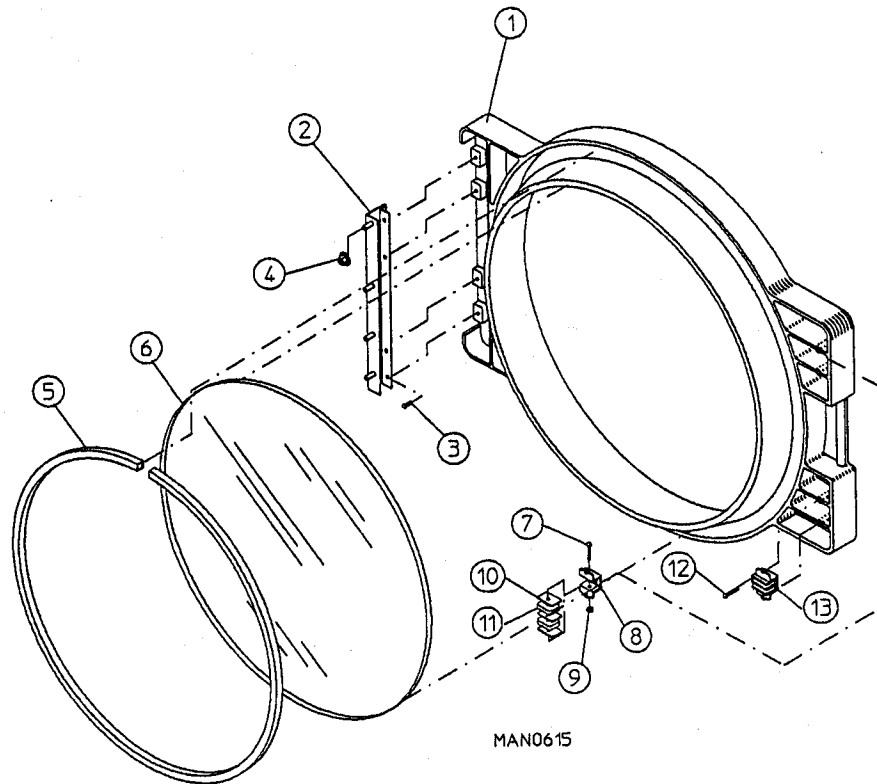


MAN0477

<u>Illus. No.</u>	<u>Part Number</u>	<u>Qty.</u>	<u>Description</u>
1*	800285	1	Gray (Lightweight) Main Door Assembly (latch-type) Complete (includes illus. nos. 1, 5, 6, and 7)
2	103050	1	12-1/2" Stainless Steel Main Door
3	150410	4	#10-24 x 3/8" Phillips Pan Head Taptite Screw
4	152014	4	1/4-20 Free Spin Wash Nut
5	102353	1	Main Door Gasket
6	102210	1	20-7/16" Door Glass
	170730	1	Glass Adhesive for Lightweight (plastic) Main Door Assembly
7	150431	1	Main Door Latch Screw

\*Contact factory for colors other than gray.

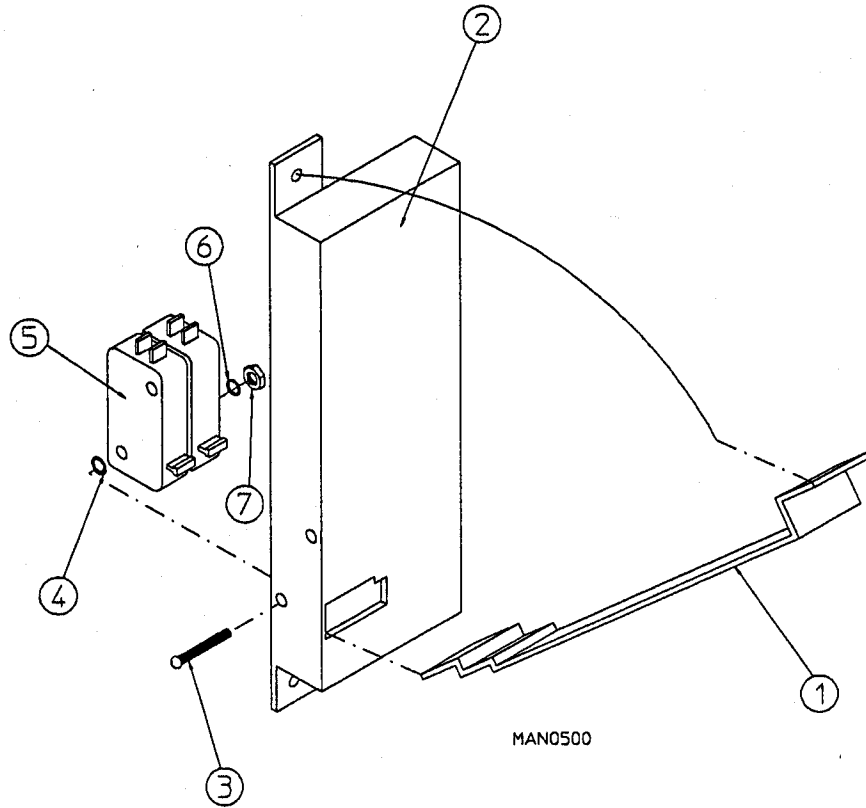
## Magnet-Type



Illus. No.	Part Number	Qty.	Description
1*	800136**	1	Gray (Cast) Main Door Assembly (magnet-type) Complete (includes illus. nos. 1 through 12)
	800133**	1	Gray (Cast) Main Door Assembly (magnet-type) Less Accessories (includes illus. nos. 1, 2, and 3 only)
	800134**	1	Gray (Cast) Main Door Assembly (magnet-type) With Glass and Gasket Only (includes illus. nos. 1, 2, 3, 5, and 6 only)
2	103050	1	12-1/2" Stainless Steel Main Door Hinge
3	150410	4	#10-24 x 3/8" Phillips Pan Head Taptite Screw
4	152014	4	1/2-20 Free Spin Wash Nut
5	102350	1	68-1/2" Main Door Gasket
6	102210	1	20-7/16" Door Glass
7	150002	2	#6-32 x 1" Round Head Machine Screw
8	102105	2	Magnet Holder Only
9	152013	2	#6-32 Hex Nut
10	306802	6	Magnet Keeper Only
11	102102	4	Door Magnet (.215)
12	150410	4	#10-24 x 3/8" Phillips Pan Head Taptite Screw
13	800131	2	Cast Aluminum Magnet Holder Assembly Complete (includes illus. nos. 7 through 11)
---	170730	1	Glass Adhesive for Lightweight (plastic) Main Door Assembly
---	170725	1	Glass and Gasket Adhesive for Cast Main Door Assembly

\* All dryer manufactured as of June 1, 1989, are built with a lightweight (plastic) main door assembly.

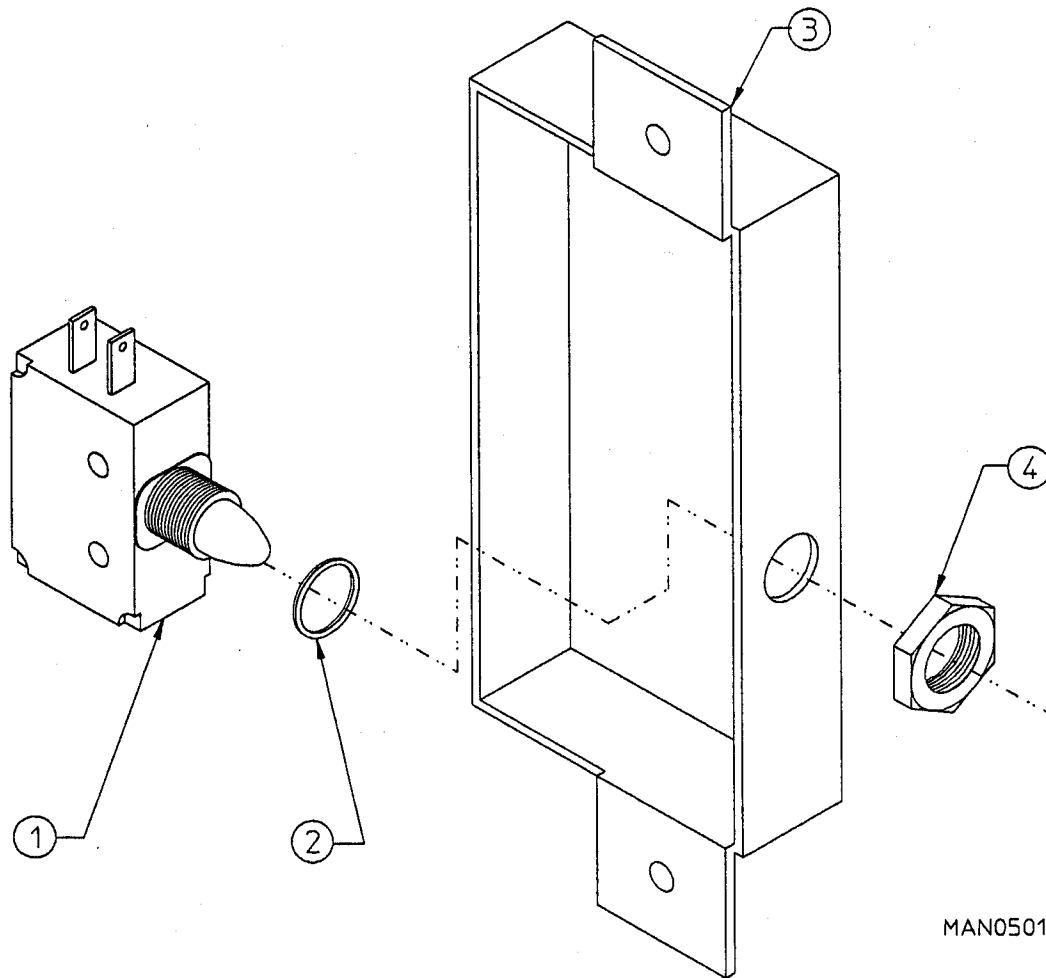
\*\* Contact factory for colors other than gray.



Illus. No.	Part Number	Qty.	Description
1	313215	1	Door Switch Actuator Arm Only
2	800445*	1	N.S. Series <u>MICROPROCESSOR</u> Main Door Switch Housing Assembly Complete (includes illus. nos. 1 through 7) <u>(FOR MODELS MANUFACTURED AS OF NOVEMBER 21, 1990)</u>
	800446**	1	N.S. Series <u>NON-MICROPROCESSOR</u> Main Door Switch Housing Assembly Complete (includes illus. nos. 1 through 7) <u>(FOR MODELS MANUFACTURED AS OF NOVEMBER 15, 1990)</u>
	313217	1	Main Door Switch Housing Only
3	150025	2	#4-40 x 1" Pan Head Machine Screw
4	153045	2	#4 Lock Washer
5	137004	***	N.S. Series Main Door Switch Only
6	153045	2	#4 Lock Washer
7	152016	2	#4-40 Hex Nut

\* Microprocessor model dryers require two (2) N.S. Series main door switches.  
 \*\* Non-Microprocessor model dryers require one (1) N.S. Series main door switch.  
 \*\*\* As required (either 1 or 2).

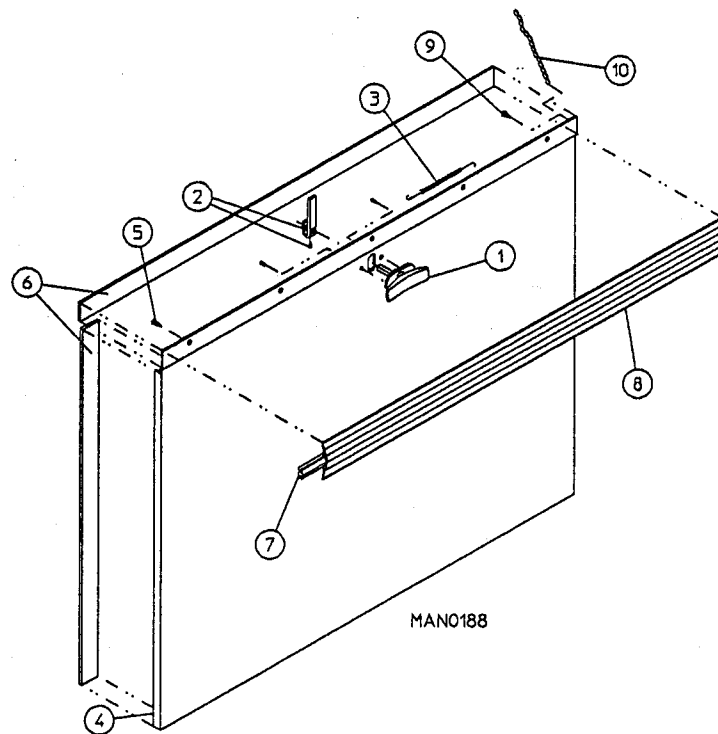
## Plunger-Type



MAN0501

Illus. No.	Part Number	Qty.	Description
1	137003	1	Plunger-Type Main Door Switch (includes illus. nos. 1, 2, and 4)
2	401551	*	Door Switch Spacer/Washer
3	870010	1	Plunger-Type Main Door Switch Assembly Complete (includes illus. nos. 1 through 4) <u>FOR MICROPROCESSOR MODELS MFD. PRIOR TO NOVEMBER 21, 1990</u> and <u>FOR NON-MICROPROCESSOR MODELS MFD. PRIOR TO NOVEMBER 15, 1990</u>
	313209	1	Main Door Switch Housing Only
4	152003	1	#3/8-32 x 1/2" Door Switch Nut

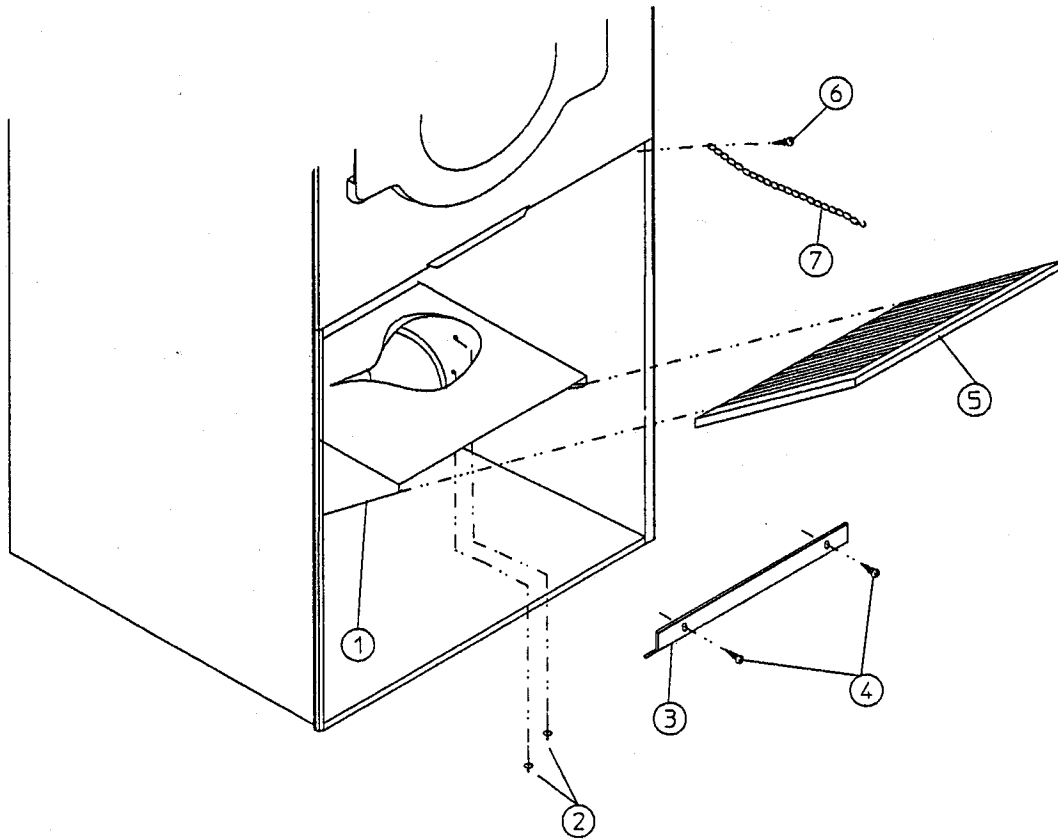
\* As required (either 1 or 2).



Illus. No.	Part Number	Qty.	Description
1	160001	1	AD-100 Lock Assembly with Key
	160103	1	AD-100 Key Only
	800150	1	Knob Latch Kit Assembly (for non-coin models)
	160200	1	Knob Latch Kit with 2 Screws (for non-coin models)
	160003	1	Dummy Lock Only (for non-coin models)
	160104	1	MK-100 Key Only
2	160008	1	Lock Cam Only (for AD-100 Lock)
	160009	1	Knob Latch Adjustable Cam with Screw (for non-coin models)
	150425	1	#12-24 x 3/8" Round Head Machine Screw (screw for knob latch adjustable cam)
3	157000	1	Drop Lint Door Spring
4	800234*	1	AD-285 Drop Lint Door Assembly Complete (includes illus. nos. 4 through 8)
	800244	1	AD-285 Stainless Steel Drop Lint Door Assembly Complete (includes illus. nos. 4 through 8)
5	150201	10	#10-32 x 1/4" Phillips Pan Head TEK Screw
6	117600	7	Noise Suppressor Tape (sold in feet)
7	102307	3	Trim Bumper Gasket (sold in feet)
8	180213	2	AD-285 Trim/Kick Plate (28-3/8" length)
9	150419	2	#6 x 1/2" Tamperproof Screw
10	108120	1	Chain for Drop Lint Door (10-1/2" length)
---	150418	1	Tamperproof Screw Hand Driver

\* Specify color when ordering.



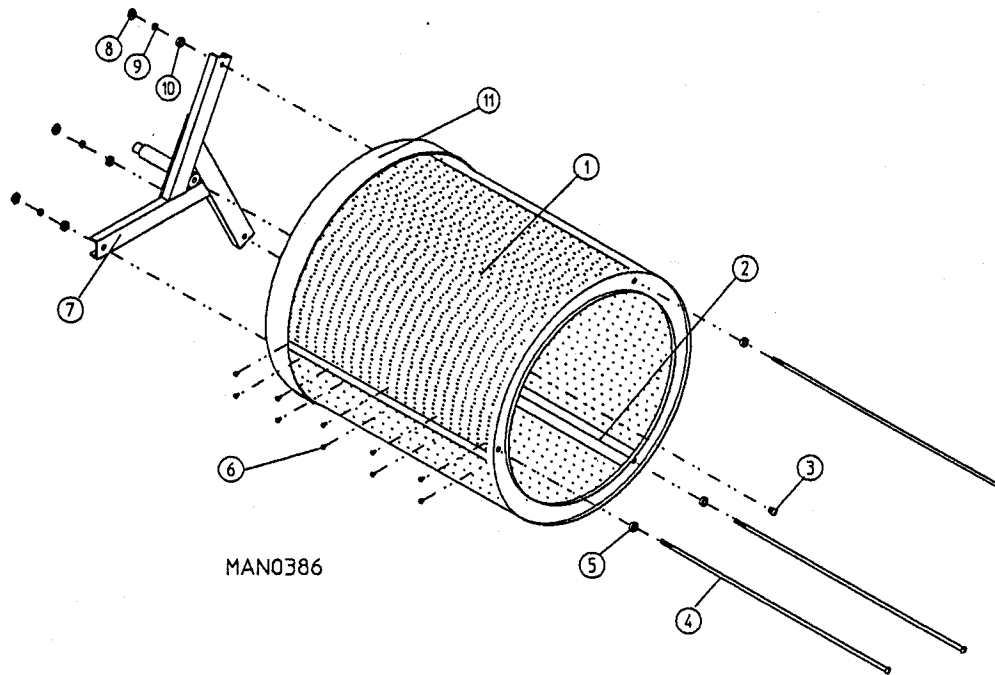


MAN0107

Illus. No.	Part Number	Qty.	Description
1	800410	1	AD-285 Lint Trap Assembly Complete (includes illus. nos. 1, 3, 4, and 5)
	800411	1	AD-285 Lint Trap Only
2	154200	7	5/32" Pop Rivet
3	304102	1	Lint Screen Holder Only
4	150300	2	#10 x 1/2" Hex Washer TEK Screw
5	800503	1	AD-285 Lint Screen Only
6	150419	2	#6 x 1/2" Tamperproof Screw
7	108120	1	Chain for Drop Lint Door (10-1/2" length)

## Tapered Rib

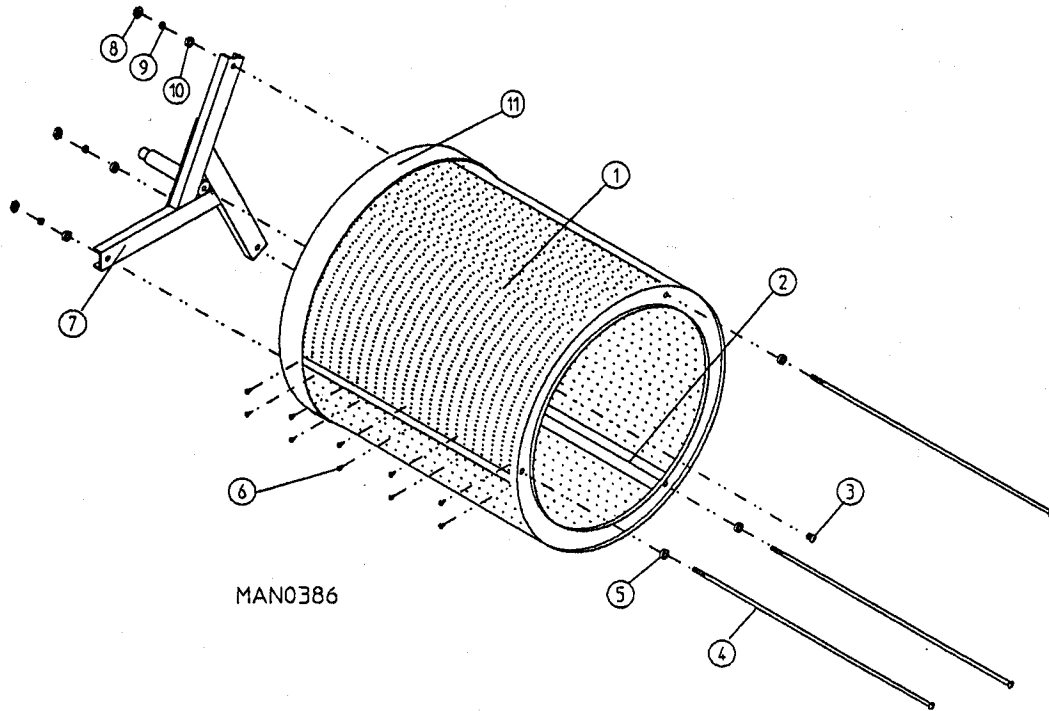
For Models Mfd. as of April 18, 1991



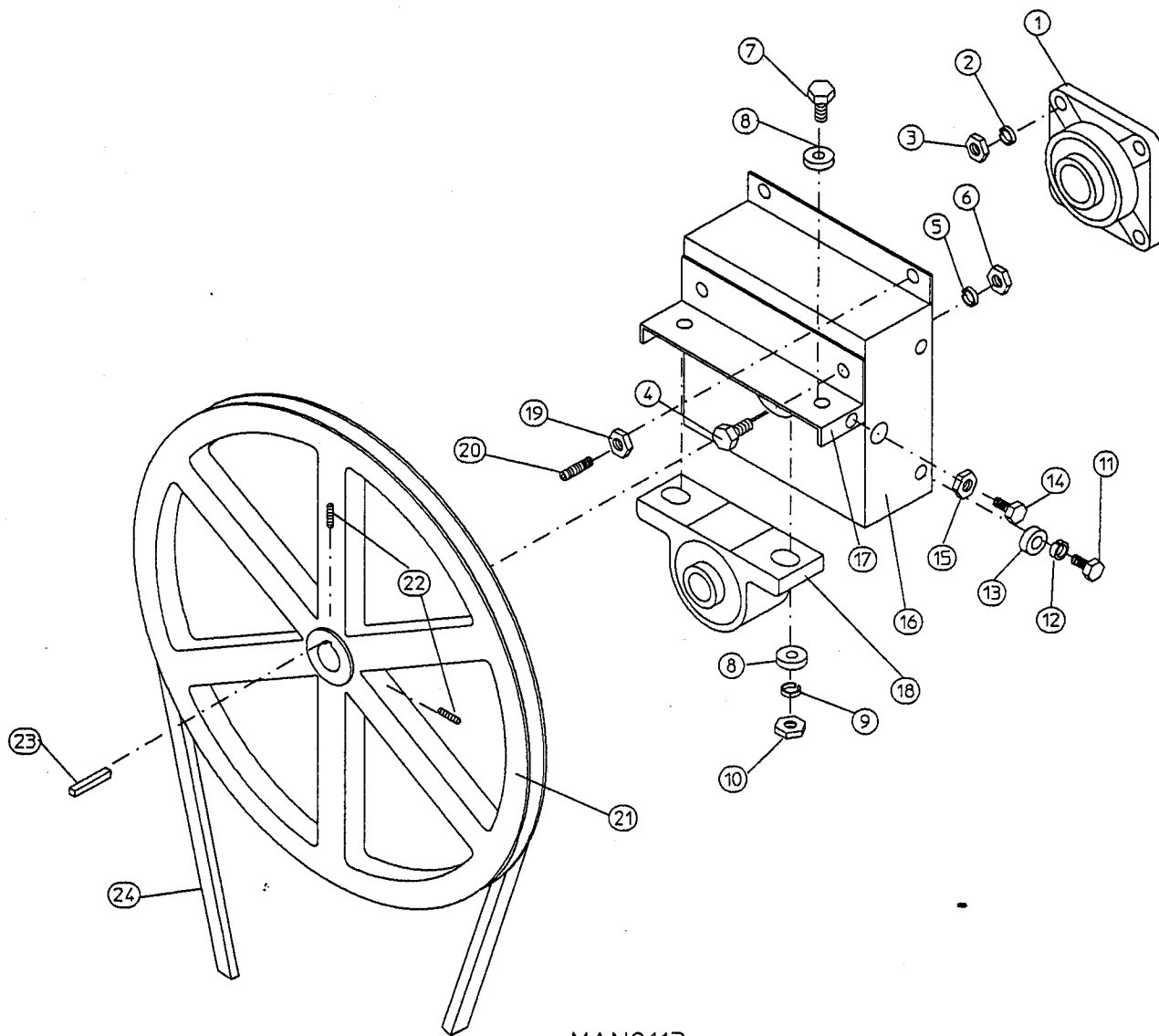
Illus. No.	Part Number	Qty.	Description
1	800830	1	AD-285 (Tapered Rib) Basket and Support Assembly Complete with Felt Collar (includes illus. nos. 1 through 11)
	800890	1	AD-285 Stainless Steel (Tapered Rib) Basket and Support Assembly Complete with Felt Collar (includes illus. nos. 1 through 11)
	800720	1	AD-285 (Tapered Rib) Basket Only without Felt Collar (includes illus. nos. 1, 2, and 3 only)
	800844	1	AD-285 Stainless Steel (Tapered Rib) Basket Only without Felt Collar (includes illus. nos. 1, 2, and 3 only)
2	301315	2	AD-285 (short - tapered) Basket Rib Only
	301316	1	AD-285 (tall - tapered) Basket Rib Only
	301414	2	AD-285 Stainless Steel (short - tapered) Basket Rib Only
	301415	1	AD-285 Stainless Steel (tall - tapered) Basket Rib Only
3	150518	1	#5/16-18 x 3/8" Socket Button Head Screw
4	100902	3	#5/16-18 x 31" Tie Rod
5	153003	3	3/8" x 1-1/2" Fender Washer
6	150415	30	#10-16 x 1/2" Phillips Round Head Crimptite Screw
7	800612	1	AD-285 Basket (Tumbler) Support Only
8	152004	3	#5/16-18 Hex Nut
9	153002	3	5/16" Lock Washer
10	153001	3	5/16" Flat Washer
11	116003	1	Felt Collar Only
—	401010	1	#847 Adhesive for Felt Collar

Standard Rib

For Models Mfd. Prior to April 18, 1991



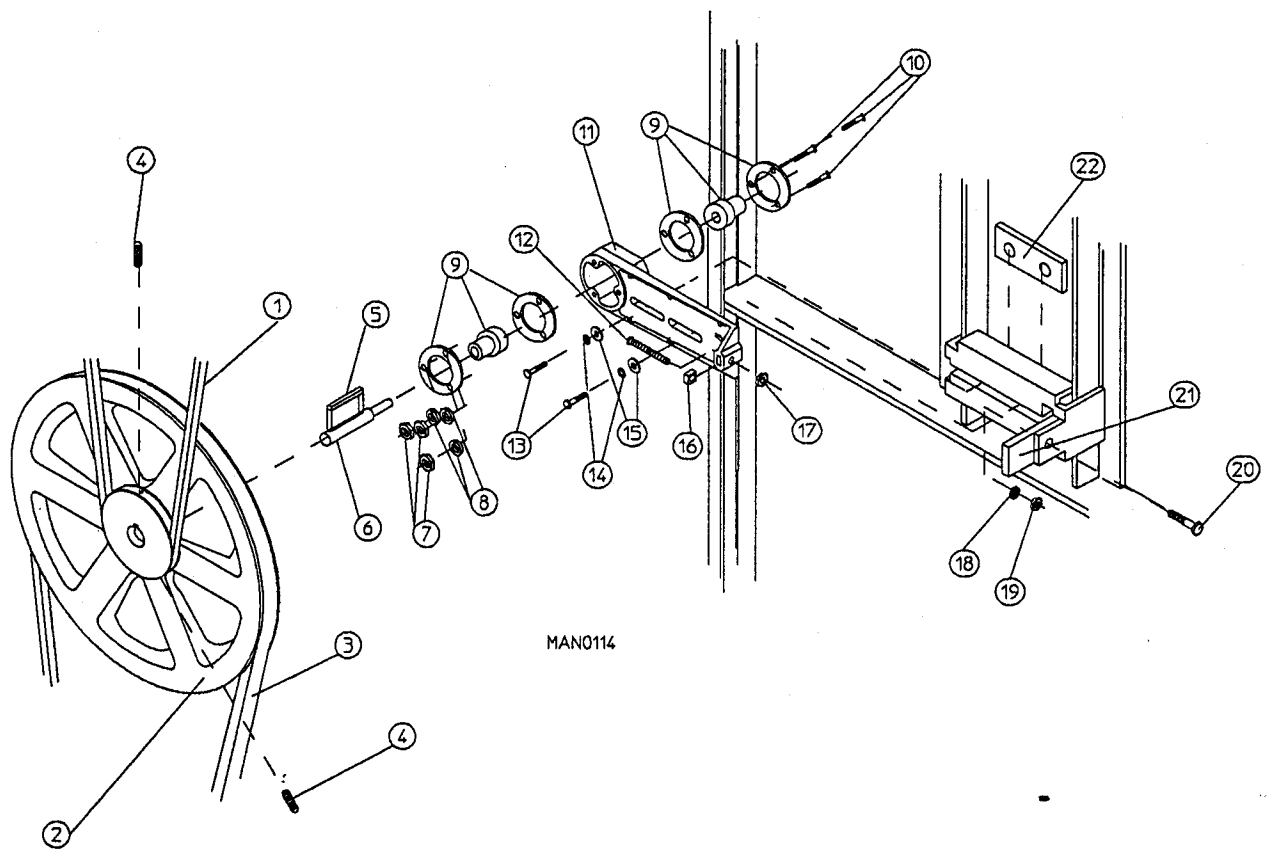
Illus. No.	Part Number	Qty.	Description
1	800815	1	AD-285 (Standard Rib) Basket and Support Assembly Complete with Felt Collar (includes illus. nos. 1 through 11)
	800863	1	AD-285 Stainless Steel (Standard Rib) Basket and Support Assembly Complete with Felt Collar (includes illus. nos. 1 through 11)
	800709	1	AD-285 (Standard Rib) Basket Only without Felt Collar (includes illus. nos. 1, 2, and 3 only)
	800853	1	AD-285 Stainless Steel (Standard Rib) Basket Only without Felt Collar (includes illus. nos. 1, 2, and 3 only)
2	301309	2	AD-285 (standard) Basket Rib Only
	301409	1	AD-285 Stainless Steel (standard) Basket Rib Only
3	150518	1	#5/16-18 x 3/8" Socket Button Head Screw
4	100902	3	#5/16-18 x 31" Tie Rod
5	153003	3	3/8" x 1-1/2" Fender Washer
6	150415	30	#10-16 x 1/2" Phillips Round Head Crimp-tite Screw
7	800612	1	AD-285 Basket (Tumbler) Support Only
8	152004	3	#5/16-18 Hex Nut
9	153002	3	5/16" Lock Washer
10	153001	3	5/16" Flat Washer
11	116003	1	Felt Collar Only
---	401010	1	#847 Adhesive for Felt Collar



MAN0113

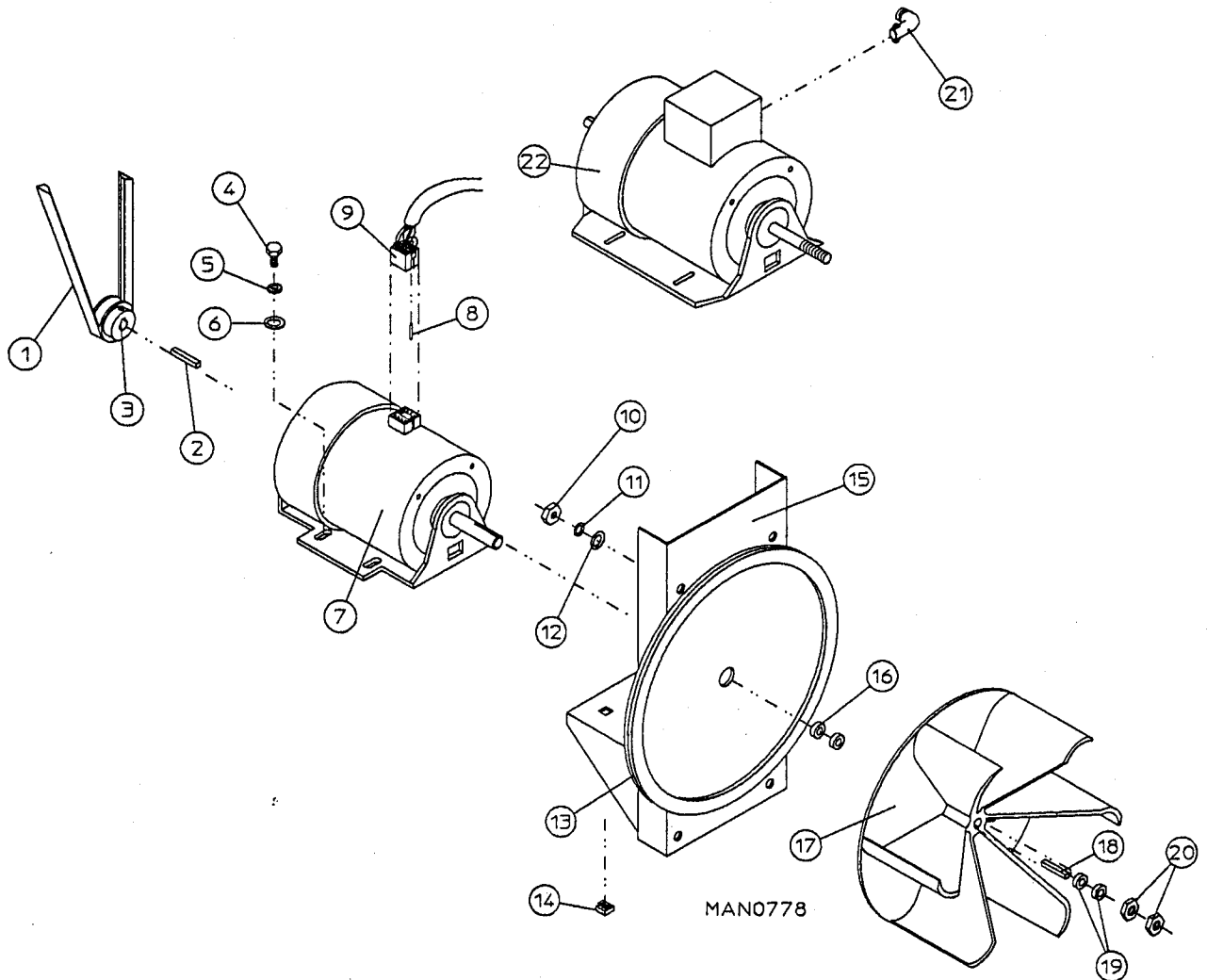
<u>Illus. No.</u>	<u>Part Number</u>	<u>Qty.</u>	<u>Description</u>
1	100203	1	1-3/8" Flange Bearing Only
2	153005	4	3/8" Lock Washer
3	152005	4	#3/8-16 Hex Nut
4	150508	2	#3/8-16 x 3/4" Hex Head Machine Bolt
5	153005	2	3/8" Lock Washer
6	152005	2	#3/8-16 Hex Nut
7	150600	2	#3/8-16 x 1-1/2" Hex Head Machine Bolt
8	153004	2*	3/8" Flat Washer
9	153005	2	3/8" Lock Washer
10	152005	2	#3/8-16 Hex Nut
11	150501	4	#5/16-18 x 3/4" Hex Head Machine Bolt
12	153002	4	5/16" Lock Washer
13	153001	4	5/16" Flat Washer
14	150621	2	#5/16-18 x 1-1/2" Hex Head Machine Bolt
15	152004	2	#5/16-18 Hex Nut
16	801101	1	1-3/8" Bearing Box Assembly Complete (includes illus. nos. 4 through 20)
	801103	1	1-3/8" Bearing Box and Support Only (includes illus. nos. 4, 5, 6, 16, and 17)
	801105	1	1-3/8" Bearing Box Only
17	801104	1	Pillow Block Bearing Support Only
18	100202	1	1-3/8" Pillow Block Bearing Only
19	152005	2	#3/8-16 Hex Nut
20	154303	2	#3/8-16 x 1-1/4" Allen Set Screw
21	101100	1	18" Cast Pulley
22	154301	2	#5/16-18 x 5/16" Allen Set Screw
23	100713	1	1/4" x 1/4" x 7/8" Key
24	100111	1	5L650 "V" Belt (to idler assembly)

\* Some models require a quantity of 4.



<u>Illus. No.</u>	<u>Part Number</u>	<u>Qty.</u>	<u>Description</u>
1	100111	1	5L650 "V" Belt (to basket (tumbler) /support assembly)
2	101129	1	9' x 2-1/2," 3/16" Key, Pulley
3	100105	1	4L520 "V" Belt (to T.E.F.C. motor mount assembly)
4	154301	2	#5/16 -18 x 5/16" Allen Set Screw
5	100705	1	3/16" x 3/16" x 1-3/8" Key
6	301850	1	5/8" x 3/4" Idler Shaft
7	152002	3	1/4-20 Hex Nut
8	153007	3	1/4" Lock Nut
9	100214	2	5/8" Flange Bearing
10	150521	3	1/4-20 x 2" Carriage Bolt
11	801008	1	Idler Bearing Assembly Complete (includes illus. nos. 6 through 22)
	100406	1	Idler Bearing Mount Only
12	150509	1	#5/16-18 x 3" Hex Head Machine Bolt
13	150617	2	#3/8-16 x 1" Hex Head Machine Bolt
14	153005	2	3/8" Lock Washer
15	153004	2	3/8" Flat Washer
16	152020	1	#5/16-18 Standard Square Nut
17	152004	1	#5/16-18 Hex Nut
18	152005	1	#3/8-16 Hex Nut
19	153005	1	3/8" Lock Washer
20	150617	1	#3/8-16 x 1" Hex Head Machine Bolt
21	301851	1	Idler Bracket Adjustment Plate
22	801009	1	Idler Square Washer

For 60 Hz Models with Tapered Ribs ONLY



MAN0778



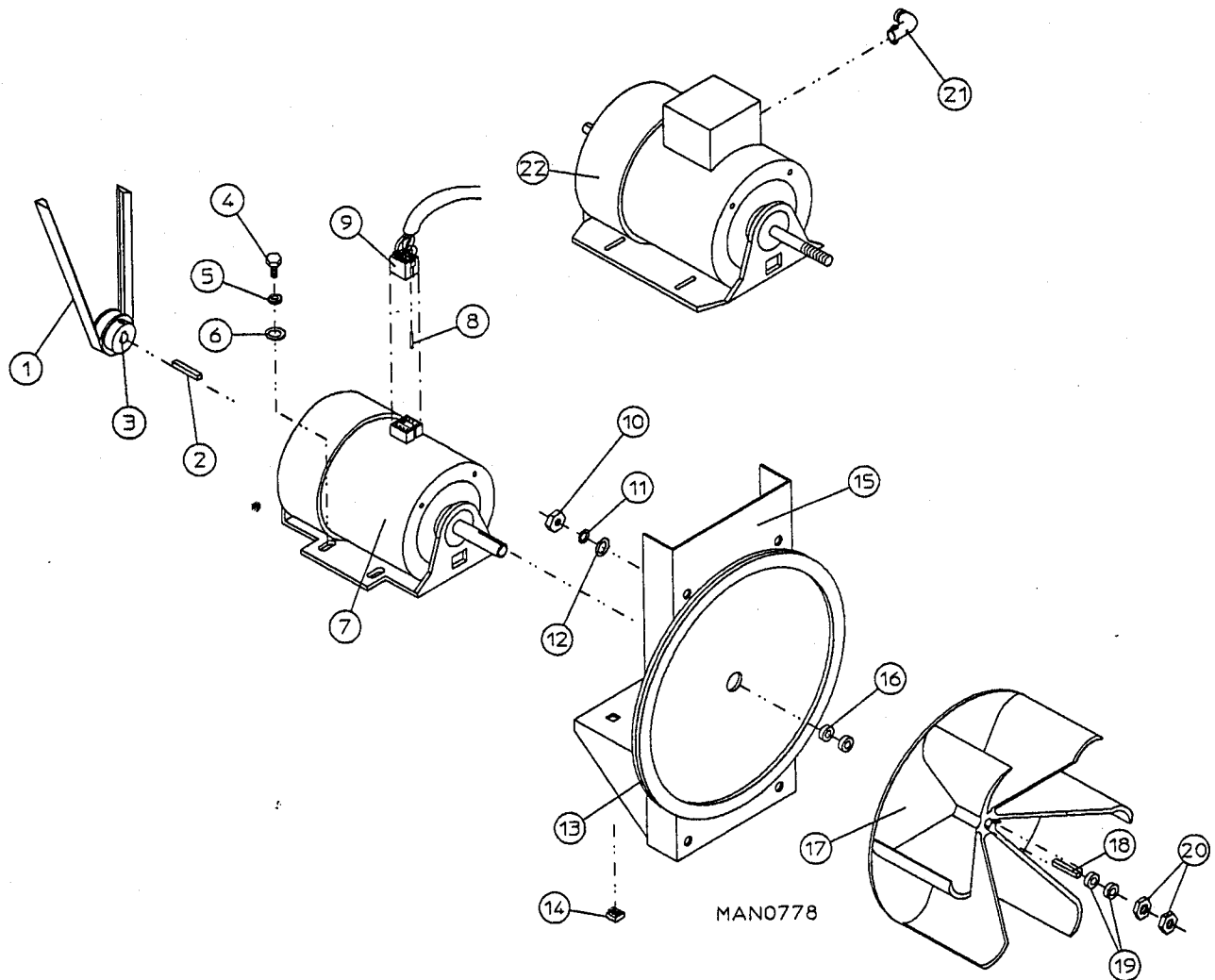
## For 60 Hz Models with Tapered Ribs ONLY

<u>Illus. No.</u>	<u>Part Number</u>	<u>Qty.</u>	<u>Description</u>
1	100105	1	4L520 "V" Belt (to idler bearing assembly)
2	100701	1	#/16" x 3/16" x 1" Key (for use on 3Ø models ONLY)
3	101131	1	1/2" x 2-1/4" Motor Pulley (for use on 1Ø models ONLY) (for models manufactured as of April 18, 1991)
	101133	1	5/8" x 2-1/4" Motor Pulley (for use on 3Ø models ONLY) (for models manufactured as of April 18, 1991)
4	150501	4	#5/16-18 x 3/4" Hex Head Machine Bolt
5	153002	4	5/16" Lock Washer
6	153001	4	5/16" Flat Washer
7	100065	1	1/2 HP 115-230v 50/60 Hz 1Ø T.E.F.C. Motor with Plug (for models manufactured as of February 15, 1990)
8	122701	8	Socket Terminal Only
9	137030	1	8-Pin Housing Connector Only
	122801	1	Pin/Socket Extraction Tool
10	152004	4	#5/16-18 Hex Nut
11	153002	4	5/16" Lock Washer
12	153001	4	5/16" Flat Washer
13	117600	4	Noise Suppressor Tape (sold in feet)
14	154000	4	#5/16-18 Tinnerman Nut
15	800909	1	1/2 HP Motor Mount Only (56Z Frame)
	803966*	1	1/2 HP 115-230v 50/60 Hz 1Ø T.E.F.C. Motor Mount Assembly Complete with Plug Motor (includes illus. nos. 3 through 9 and 13 through 20) (for models manufactured as of February 15, 1990)
	803965*	1	1/2 HP 208/230/380/460v 50/60 Hz 3Ø T.E.F.C. Motor Mount Assembly Complete without Plug Motor (includes illus. nos. 2 through 6 and 13 through 22)
16	153050	**	1/2" S.A.E. Flat Washer
17	100604	1	12-1/2 Impellor with 1/2" Bore
18	100702	1	1/8" x 1/8" x 1-1/2" Key
19	153050	**	1/2" S.A.E. Flat Washer
20	152006	2	#1/2-20 Left Hand Jam Nut
21	120200	1	3/8" x 90° Connector
22	100007	1	1/2 HP 208/230/380/460v 50/60 Hz 3Ø T.E.F.C. Motor without Plug (56Z Frame)

\* Specify voltage when ordering.

\*\* As required.

For 60 Hz Models with Standard Ribs ONLY



MAN0778

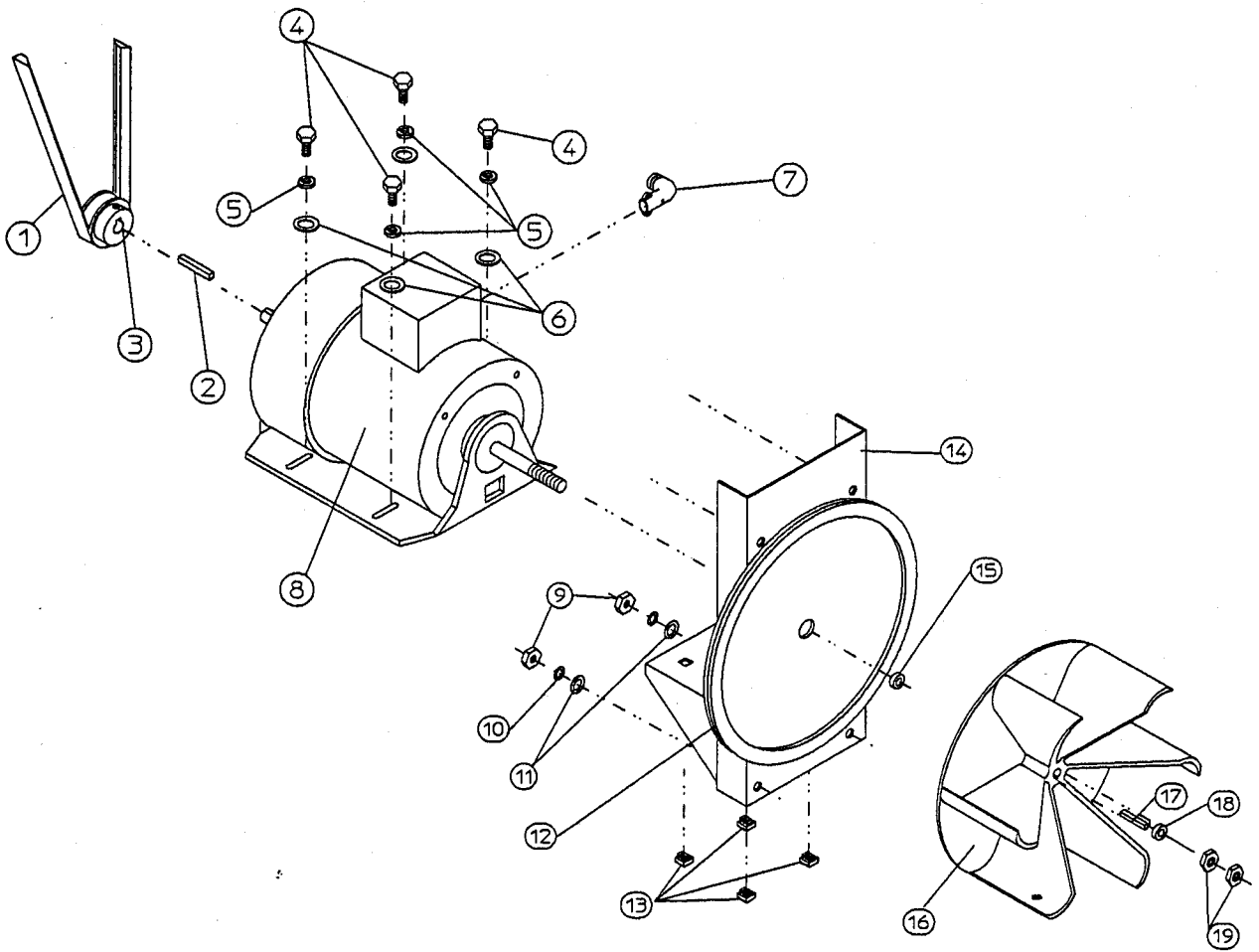
## For 60 Hz Models with Standard Ribs ONLY

Illus. No.	Part Number	Qty.	Description
1	100105	1	4L520 "V" Belt (to idler bearing assembly)
2	100701	1	#/16" x 3/16" x 1" Key (for use on 3Ø models ONLY)
3	101104	1	1/2" x 2" Motor Pulley (for use on 1Ø models ONLY) (for models manufactured prior to April 18, 1991)
	101132	1	5/8" x 2" Motor Pulley (for use on 3Ø models ONLY) (for models manufactured prior to April 18, 1991)
4	150501	4	#5/16-18 x 3/4" Hex Head Machine Bolt
5	153002	4	5/16" Lock Washer
6	153001	4	5/16" Flat Washer
7	100065	1	1/2 HP 115-230v 50/60 Hz 1Ø T.E.F.C. Motor with Plug (for models manufactured as of February 15, 1990)
8	122701	8	Socket Terminal Only
9	137030	1	8-Pin Housing Connector Only
	122801	1	Pin/Socket Extraction Tool
10	152004	4	#5/16-18 Hex Nut
11	153002	4	5/16" Lock Washer
12	153001	4	5/16" Flat Washer
13	117600	4	Noise Suppressor Tape (sold in feet)
14	154000	4	#5/16-18 Tinnerman Nut
15	800909	1	1/2 HP Motor Mount Only (56Z Frame)
	803928*	1	1/2 HP 115-230v 50/60 Hz 1Ø T.E.F.C. Motor Mount Assembly Complete with Plug Motor (includes illus. nos. 3 through 9 and 13 through 20) (for models manufactured as of February 15, 1990)
	803880*	1	1/2 HP 115-230v 60 Hz 1Ø T.E.F.C. Motor Mount Assembly Complete without Plug Motor (includes illus. nos. 3 through 6 and 13 through 22)
	803793*	1	1/2 HP 208/230/380/460v 50/60 Hz 3Ø T.E.F.C. Motor Mount Assembly Complete without Plug Motor (includes illus. nos. 2 through 6 and 13 through 22)
16	153050	**	1/2" S.A.E. Flat Washer
17	100604	1	12-1/2 Impellor with 1/2" Bore
18	100702	1	1/8" x 1/8" x 1-1/2" Key
19	153050	**	1/2" S.A.E. Flat Washer
20	152006	2	#1/2-20 Left Hand Jam Nut
21	120200	1	3/8" x 90° Connector
	100004	1	1/2 HP 115-230v 60 Hz 1Ø T.E.F.C. Motor without Plug (56Z Frame)
22	100007	1	1/2 HP 208/230/380/460v 50/60 Hz 3Ø T.E.F.C. Motor without Plug (56Z Frame)

\* Specify voltage when ordering.

\*\* As required

For 50 Hz Models with Tapered and Standard Ribs



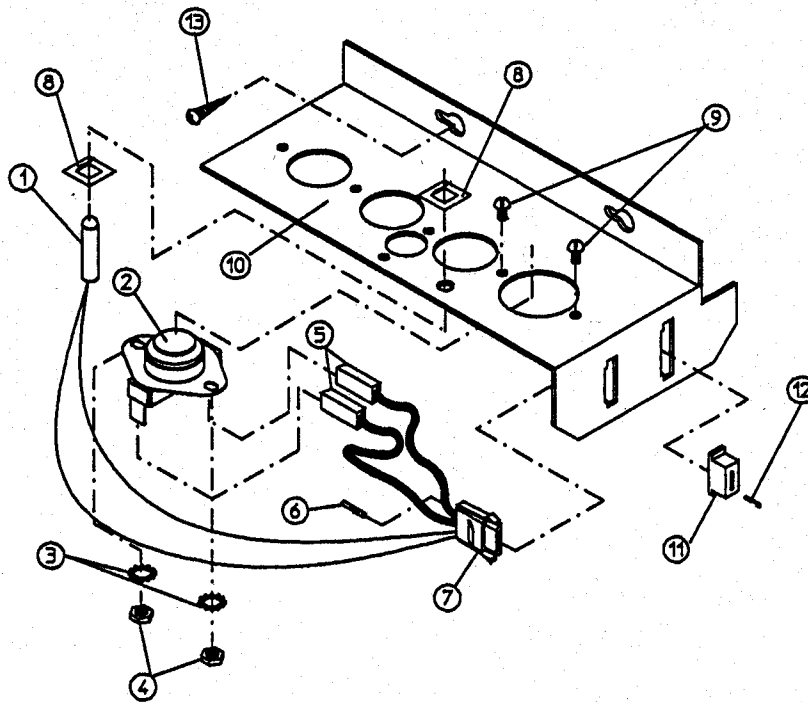
MAN0095

## For 50 Hz Models with Tapered and Standard Ribs

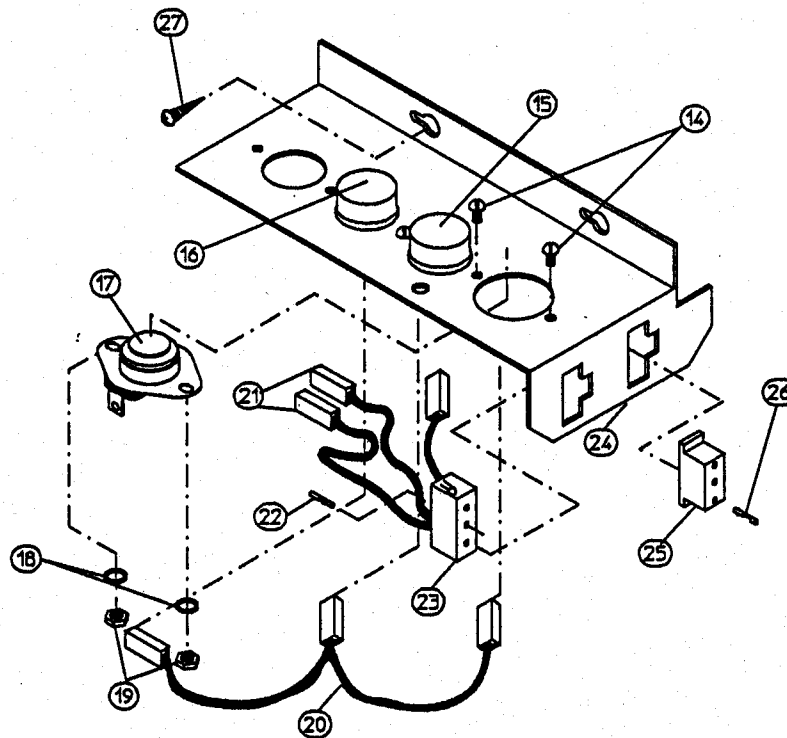
<u>Illus. No.</u>	<u>Part Number</u>	<u>Qty.</u>	<u>Description</u>
1	100105	1	4L520 "V" Belt (to idler bearing assembly)
2	100701	1	#/16" x 3/16" x 1" Key (for use on 3Ø models ONLY)
3	101131	1	5/8" x 2-1/2" Motor Pulley
4	150501	4	#5/16-18 x 3/4" Hex Head Machine Bolt
5	153002	4	5/16" Lock Washer
6	153001	4	5/16" Flat Washer
7	100200	1	3/8" x 90° Connector
8	100035	1	1/2 HP 240v 50 Hz 1Ø T.E.F.C. Motor without Plug (56Z Frame)
	100007	1	1/2 HP 208/230/380/460v 50/60 Hz 3Ø T.E.F.C. Motor without Plug (56Z Frame)
9	152004	4	#5/16-18 Hex Nut
10	153002	4	5/16" Lock Washer
11	153001	4	5/16" Flat Washer
12	117600	4	Noise Suppressor Tape (sold in feet)
13	154000	4	#5/16-18 Tinnerman Nut
14	800909	1	1/2 HP Motor Mount Only (56Z Frame)
	803966*	1	1/2 HP 240v 50 Hz 1Ø T.E.F.C. Motor Mount Assembly Complete (includes illus. nos. 3 through 9 and 13 through 20)
	803965*	1	1/2 HP 208/230/380/460v 50/60 Hz 3Ø T.E.F.C. Motor Mount Assembly Complete (includes illus. nos. 2 through 6 and 13 through 22)
15	153050	**	1/2" S.A.E. Flat Washer
16	100604	1	12-1/2 Impellor with 1/2" Bore
17	100702	1	1/8" x 1/8" x 1-1/2" Key
18	153050	**	1/2" S.A.E. Flat Washer
19	152006	2	#1/2-20 Left Hand Jam Nut

\* Specify voltage when ordering.

\*\* As required.



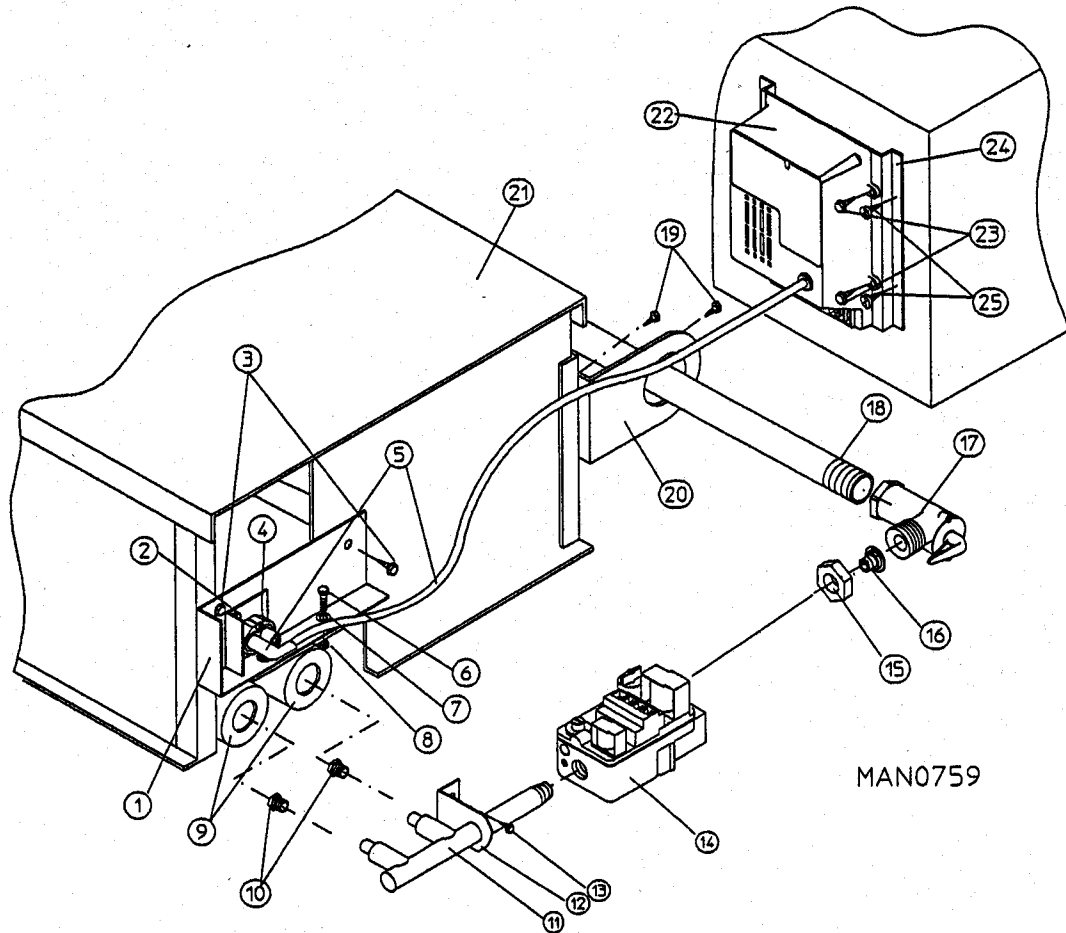
MICROPROCESSOR SENSOR BRACKET ASSEMBLY



MAN0849

NON-MICROPROCESSOR SENSOR BRACKET ASSEMBLY

<u>Illus. No.</u>	<u>Part Number</u>	<u>Qty.</u>	<u>Description</u>
1	880251	1	1/4" Temperature Sensor Probe Assembly (includes illus. nos. 1, and 5 through 8)
2	130103	1	225° Large Automatic Reset Thermostat
3	153010	2	#6 Star Washer
4	152000	2	#6-32 Hex Nut
5	121028	2	Insulated Terminal Only
6	122701	4	Socket Terminal Only
7	122605	1	4-Pin Socket Connector Only
8	154007	2	1/4" Tinnerman Push-On Fastener
9	150000	2	#6-32 x 1/4" Round Head Machine Screw
10	801425	1	Microprocessor Sensor Bracket Assembly Complete (includes illus. nos. 1 through 12)
	305007	1	Universal Sensor Bracket Only
11	122604	1	4-Pin Connector Only
12	122700	4	Pin Terminal Only
13	150301	2	#8-18 x 7/16" Phillips Pan Head TEK Screw
14	150000	4	#6-32 x 1/4" Round Head Machine Screw
15	130101	1	180° Large Thermostat
16	130100	1	150° Large Thermostat
17	130103	1	225° Large Automatic Reset Thermostat
18	153010	4	#6 Star Washer
196	152000	4	#6-32 Hex Nut
20	831700	1	Sensor Jumper Only
21	121028	3	Insulated Terminal Only
22	122701	3	Socket Terminal Only
23	122609	1	3-Pin Socket Connector Only
	831702	1	3-Pin Socket Harness Assembly (includes illus. nos. 21, 22, and 23)
24	801405	1	Non-Microprocessor Sensor Bracket Assembly Complete (includes illus. nos. 14 through 24)
	305007	1	Universal Sensor Bracket Only
25	122608	1	3-Pin Connector Only
26	122700	3	Pin Terminal Only
	122801	1	Pin/Socket Extraction Tool
27	150301	2	#8-18 x 7/16" Phillips Pan Head TEK Screw



DSI Module may be mounted on the left outside wall of the control box (as shown) or may be mounted on the inside of the left side panel.

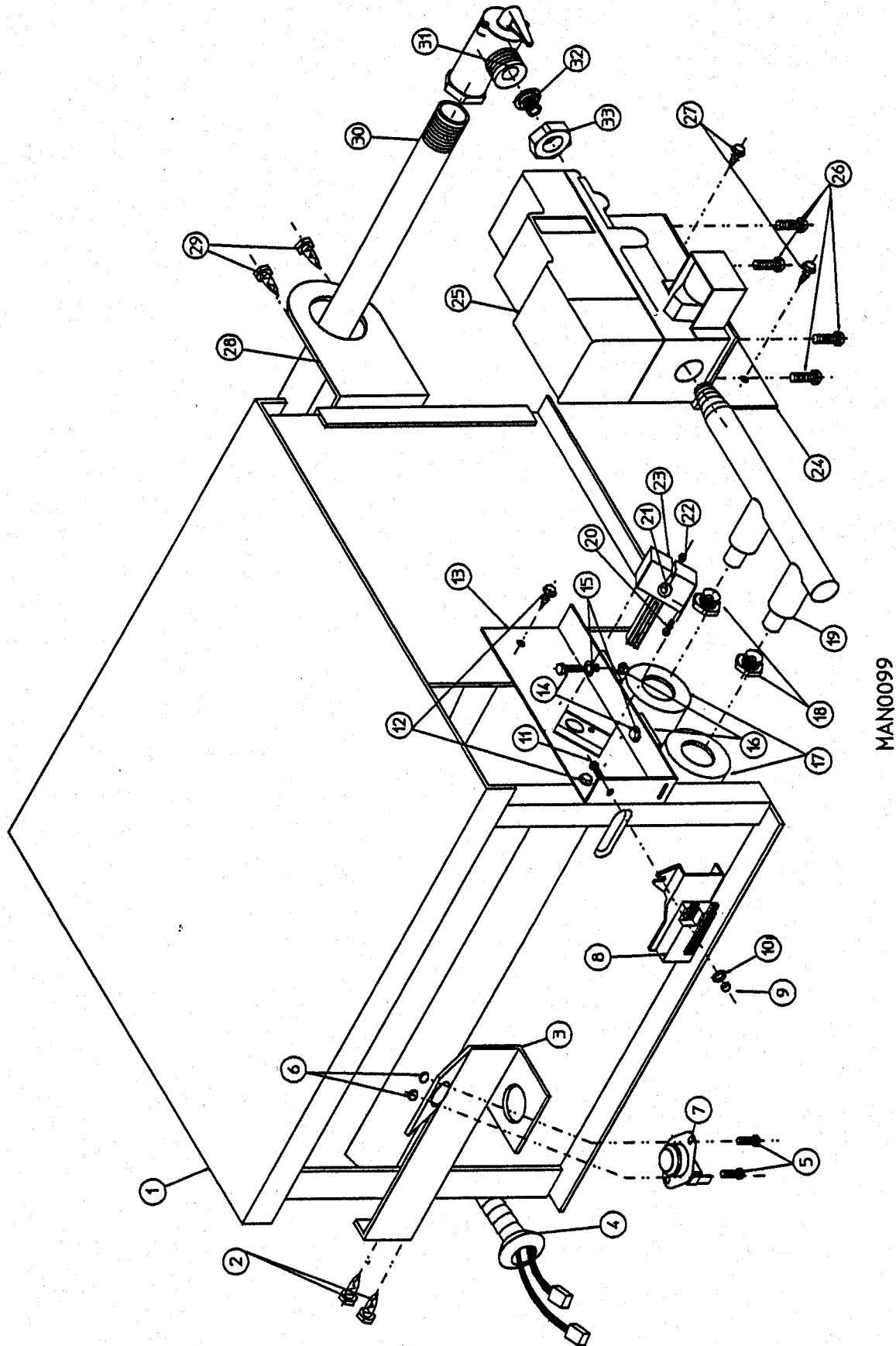


Illus. No.	Part Number	Qty.	Description
1	318030	1	DSI Burner Shield Only
2	150300	2	#10 x 1/2" Hex Washer TEK Screw
3	150415	2	#10-16 x 1/2" Phillips Round Head Crimptite Screw
4	880314	1	DSI Ignitor/Flame-Probe Assembly Kit (includes high voltage [HV] wire and connector)
	305410	1	DSI Ignitor Gap Feeler Gauge ... Not Illustrated
5	880330	1	DSI Ignitor HV Wire/Connector Only
6	150103	2	#8-32 x 1/2" Pan Head Machine Screw
7	153000	2	#8 Steel Burr
8	151001	2	#8-32 Pal Nut
9	141104	2	Small Tube Burner
10	140855*	2	#33 Burner Orifice ( <u>natural gas</u> ) Only
	140801*	2	#51 Burner Orifice ( <u>liquid propane</u> ) Only
11	141230	1	1/2" 2-Port DSI Manifold
12	318700	1	Pipe Bracket (bent)
13	150300	2	#10 x 1/2" Hex Washer TEK Screw
14	128927	1	1/2" 24VAC Redundant ( <u>natural gas</u> ) Gas Valve
	140411	1	1/2" 24VAC Gas Valve L.P. ( <u>liquid propane</u> ) Conversion Kit
15	141325	1	Tail Piece Collar Only
16	141303	1	1/2" Union Tail Piece Only
17	141305	1	Union Shut-Off Body Only
18	142809	1	1/2" x 29-1/8" Pipe
19	150415	4	#10-16 x 1/2" Phillips Round Head Crimptite Screw
20	318700	2	Pipe Bracket (bent)
21	809637	1	ADG-285 DSI ( <u>natural gas</u> ) Burner Assembly Complete Less Orifices (includes illus. nos. 1 through 9 and 11 through 21)
	809636	1	ADG-285 DSI ( <u>liquid propane</u> ) Burner Assembly Complete Less Orifices (includes illus. nos. 1 through 9 and 11 through 21)
	850862	1	ADG-285 DSI Burner Box and Bonnet Only
22	128926	1	DSI Module Only (50/60 Hz)
23	150299	4	#10 x 1" Hex Washer TEK Screw
24	319505	1	DSI Module Mounting Bracket Only
25	150301	**	#8-18 x 7/16" Phillips Pan Head TEK Screw
---	874054*	1	ADG-285 DSI/HR ( <u>liquid propane</u> ) Conversion Kit (includes orifices)
---	410001	1	1/2" Allen Wrench

\* Consult factory for elevation over 2,000 feet.

\*\* As required.

For Glo-Bar Ignition Models ONLY

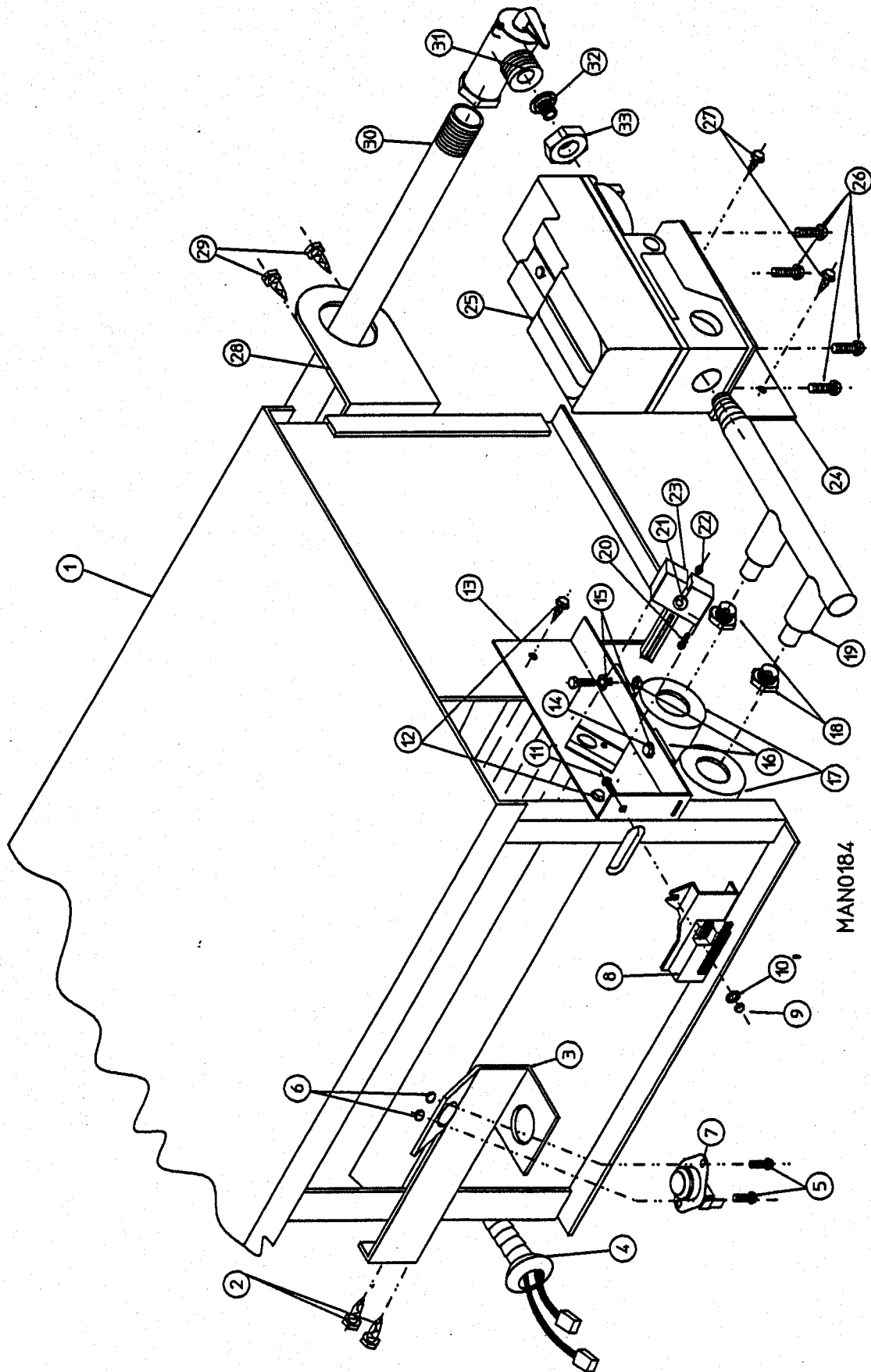


## For Glo-Bar Ignition Models ONLY

Illus. No.	Part Number	Qty.	Description
1	809592	1	ADG-285 Hi/Lo Microprocessor ( <u>natural gas</u> ) Burner Assembly Complete Less Orifices (includes illus. nos. 1 through 17 and 19 through 33)
	809602	1	ADG-285 Hi/Lo Microprocessor ( <u>liquid propane</u> ) Burner Assembly Complete Less Orifices (includes illus. nos. 1 through 17 and 19 through 33)
	804010	1	ADG-285 Heat Reclaimer Burner Box and Bonnet Only
2	150415	2	#10-16 x 1/2" Phillips Round Head Crimptite Screw
3	319704	1	Hi-Limit Mounting Bracket Only
4	830116	1	ADG-285 Hi-Limit Harness Only
5	150001	2	#6-32 x 1/2" Round Head Machine Screw
6	151000	2	#6-32 Pal Nut
7	130401	1	330° Hi-Limit
8	130500	1	IR Sensor
9	152001	1	#8-32 Hex Nut
10	153012	1	#8 Star Washer
11	150108	1	#8-32 x 1/2" Pan Head Machine Screw
12	150415	2	#10-16 x 1/2" Phillips Round Head Crimptite Screw
13	802705	1	IR/Glo-Bar Mounting Bracket Only
14	150108	2	#8-32 x 1/2" Pan Head Machine Screw
15	153000	2	#8 Steel Burr
16	150001	2	#6-32 x 1/2" Round Head Machine Screw
17	141101	2	Small Tube Burner
18	140819*	2	#30 Burner Orifice ( <u>natural gas</u> ) Only
	140800*	2	#52 Burner Orifice ( <u>liquid propane</u> ) Only
19	141206	1	3/8" Swage Manifold Only
20	150002	1	#6-32 x 1" Round Head Machine Screw
21	153017	1	#6 Steel Burr
22	151000	1	#6-32 Pal Nut
23	128910	1	Glo-Bar Only
24	319501	1	3/8" Gas Valve Mounting Bracket Only
25	140009	1	3/8" Hi/Lo ( <u>natural gas</u> ) Gas Valve
	800038	1	3/8" Hi/Lo ( <u>liquid propane</u> ) Gas Valve
26	150301	3	#8-18 x 7/16" Phillips Pan Head TEK Screw
27	150415	2	#10-16 x 1/2" Phillips Round Head Crimptite Screw
28	318700	2	Pipe Bracket (bent)
29	150415	4	#10-16 x 1/2" Phillips Round Head Crimptite Screw
30	142809	1	1/2" x 29-1/8" Pipe
31	141305	1	Union Shut-Off Body Only
32	141304	1	3/8" Union Tail Piece Only
33	141325	1	Tail Piece Collar Only
	874011*	1	ADG-285 Glo-Bar/Heat Reclaimer Hi/Lo ( <u>liquid propane</u> ) Conversion Kit (includes orifices)
	410000	1	3/8" Allen Wrench

\* Consult factory for elevations over 2,000 feet.

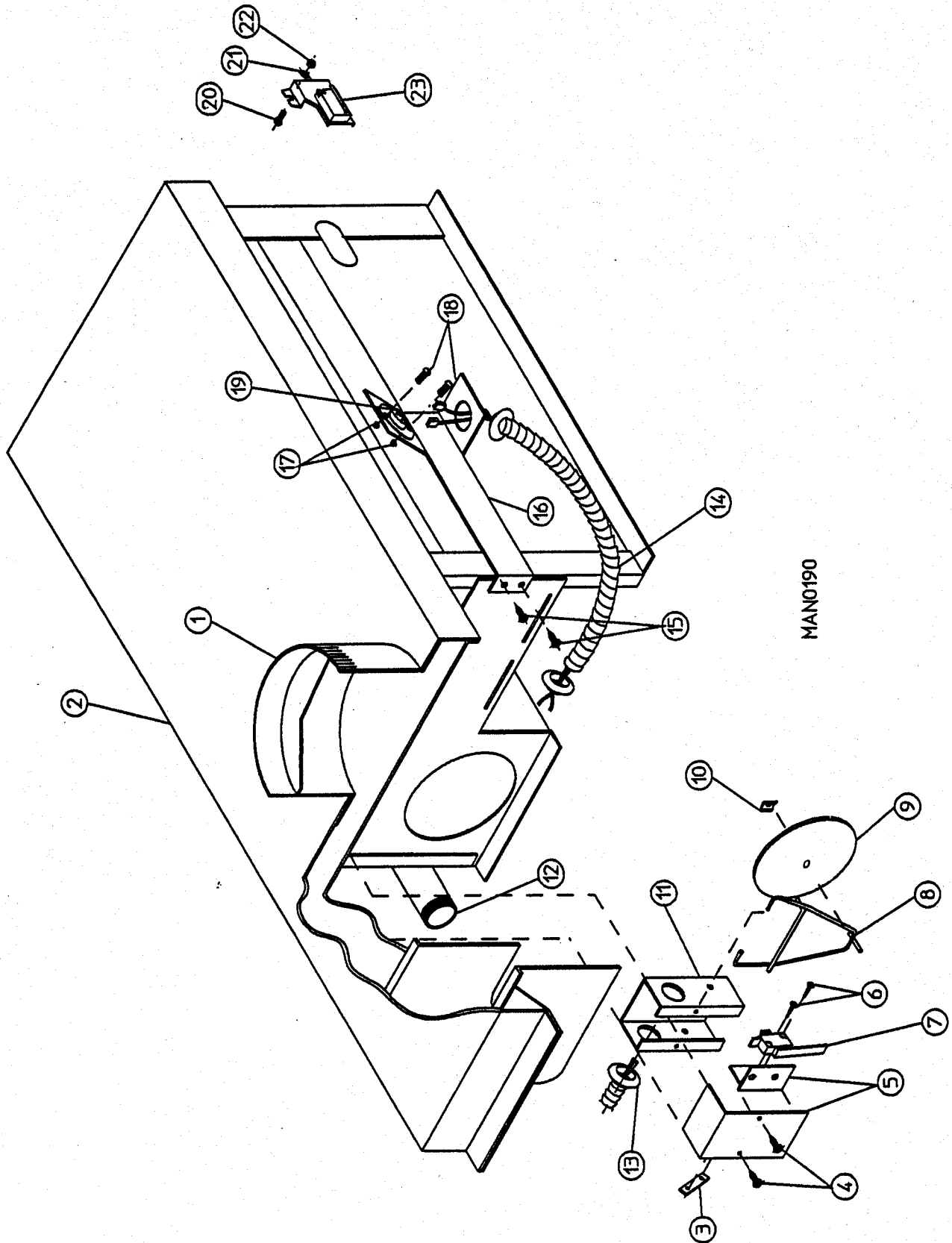
For Glo-Bar Ignition Models ONLY



## For Glo-Bar Ignition Models ONLY

Illus. No.	Part Number	Qty.	Description
1	809544	1	ADG-285 Non-Microprocessor (Standard) Glo-Bar ( <u>natural gas</u> ) Burner Assembly Complete Less Orifices (includes illus. nos. 1 through 17 and 19 through 33)
	809549	1	ADG-285 Non-Microprocessor (Standard) Glo-Bar ( <u>liquid propane</u> ) Burner Assembly Complete Less Orifices (includes illus. nos. 1 through 17 and 19 through 33)
	804010	1	ADG-285 Heat Reclaimer Burner Box and Bonnet Only
2	150415	2	#10-16 x 1/2" Phillips Round Head Crimptite Screw
3	319704	1	Hi-Limit Mounting Bracket Only
4	830116	1	ADG-285 Hi-Limit Harness Only
5	150001	2	#6-32 x 1/2" Round Head Machine Screw
6	151000	2	#6-32 Pal Nut
7	130401	1	330° Hi-Limit
8	130500	1	IR Sensor
9	152001	1	#8-32 Hex Nut
10	153012	1	#8 Star Washer
11	150108	1	#8-32 x 1/2" Pan Head Machine Screw
12	150415	2	#10-16 x 1/2" Phillips Round Head Crimptite Screw
13	802705	1	IR/Glo-Bar Mounting Bracket Only
14	150108	2	#8-32 x 1/2" Pan Head Machine Screw
15	153000	2	#8 Steel Burr
16	150001	2	#6-32 x 1/2" Round Head Machine Screw
17	141101	2	Small Tube Burner
18	140851*	2	#30 Burner Orifice ( <u>natural gas</u> ) Only
	140802*	2	#52 Burner Orifice ( <u>liquid propane</u> ) Only
19	141206	1	3/8" Swage Manifold Only
20	150002	1	#6-32 x 1" Round Head Machine Screw
21	153017	1	#6 Steel Burr
22	151000	1	#6-32 Pal Nut
23	128910	1	Glo-Bar Only
24	319501	1	3/8" Gas Valve Mounting Bracket Only
25	140004	1	3/8" Glo-Bar ( <u>natural gas</u> ) Gas Valve
	140402	1	3/8" Gas Valve ( <u>liquid propane</u> ) Conversion Kit
26	150301	3	#8-18 x 7/16" Phillips Pan Head TEK Screw
27	150415	2	#10-16 x 1/2" Phillips Round Head Crimptite Screw
28	318700	2	Pipe Bracket (bent)
29	150415	4	#10-16 x 1/2" Phillips Round Head Crimptite Screw
30	142809	1	1/2" x 29-1/8" Pipe
31	141305	1	Union Shut-Off Body Only
32	141304	1	3/8" Union Tail Piece Only
33	141325	1	Tail Piece Collar Only
	874010*	1	ADG-285 Glo-Bar/Heat Reclaimer Non-Hi/Lo ( <u>liquid propane</u> ) Conversion Kit (includes orifices)
	410000	1	3/8" Allen Wrench

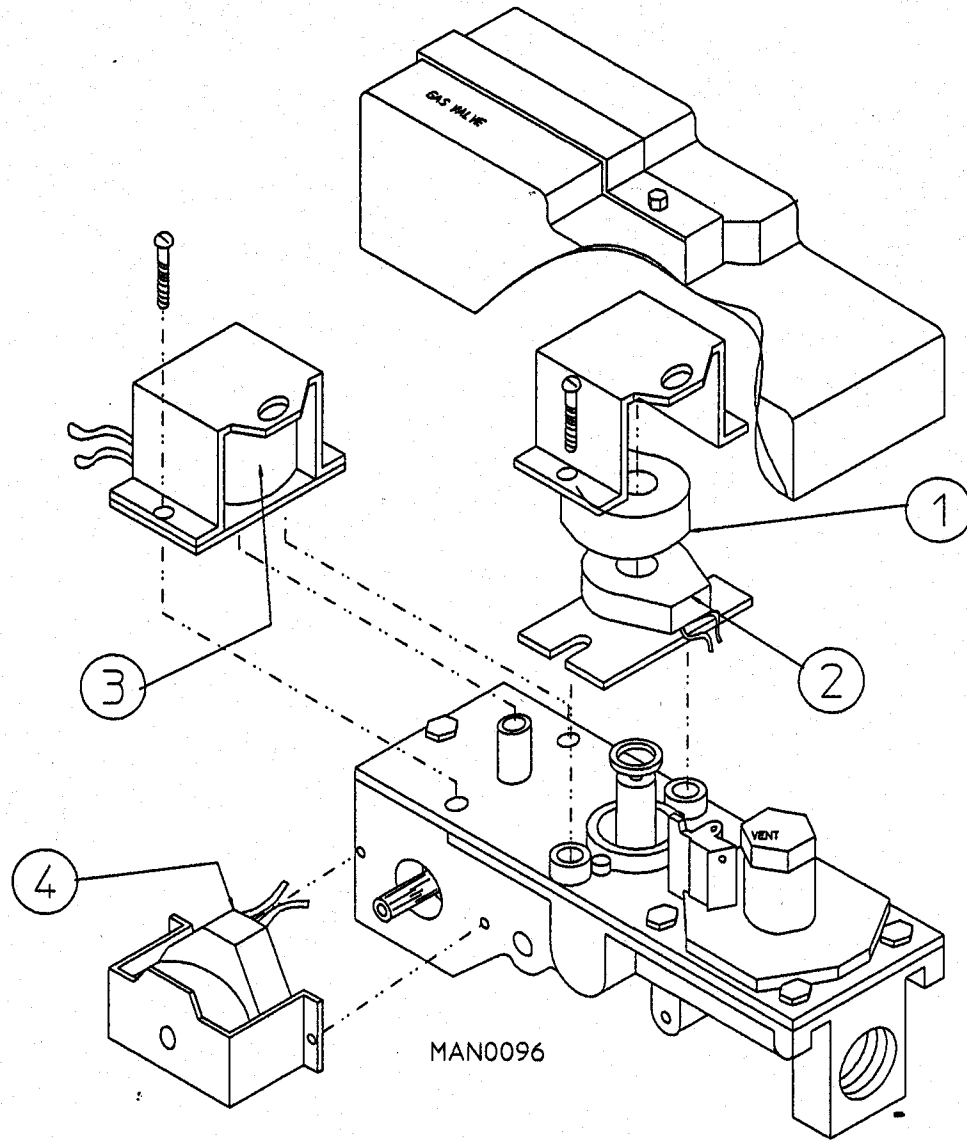
\* Consult factory for elevations over 2,000 feet.



<u>Illus. No.</u>	<u>Part Number</u>	<u>Qty.</u>	<u>Description</u>
1	880502	1	Heat Reclaimer (6") Damper Assembly
2	804010	1	ADG-285 Heat Reclaimer Burner Box and Bonnet Only
3	154004	1	Twin Speed Nut
4	150415	2	#10-16 x 1/2" Phillips Round Head Crimptite Screw
5	802799	1	Sail Switch Box Cover and Bracket Only
6	150303	2	#4 x 3/4" Pan Head "A" Machine Screw
7	122200	1	Sail Switch
8	105500	1	Sail Switch Actuator Rod
9	319202	1	Sail Switch Damper (flat)
10	154002	1	1/8" Push-On Fastener
11	802801	1	Sail Switch Box Assembly Complete (includes illus. nos. 3 through 11)
	802800	1	Sail Switch Box With Cover and Bracket Only
12	142809	1	1/2" x 29-1/8" Pipe
13	840055	1	AD-285 Sail Switch Harness
14	830116	1	AD-285 Hi-Limit Harness
15	150415	2	#10-16 x 1/2" Phillips Round Head Crimptite Screw
16	319704	1	Hi-Limit Mounting Bracket Only
17	151000	2	#6-32 Pal Nut
18	150001	2	#6-32 x 1/2" Round Head Machine Screw
19	130401	1	330° H-Limit
20*	150108	1	#8-32 x 1/2" Pan Head Machine Screw
21*	153012	1	#8 Star Washer
22*	152001	1	#8-32 Hex Nut
23*	130500	1	IR Sensor

\* For Glo-Bar Ignition models ONLY.

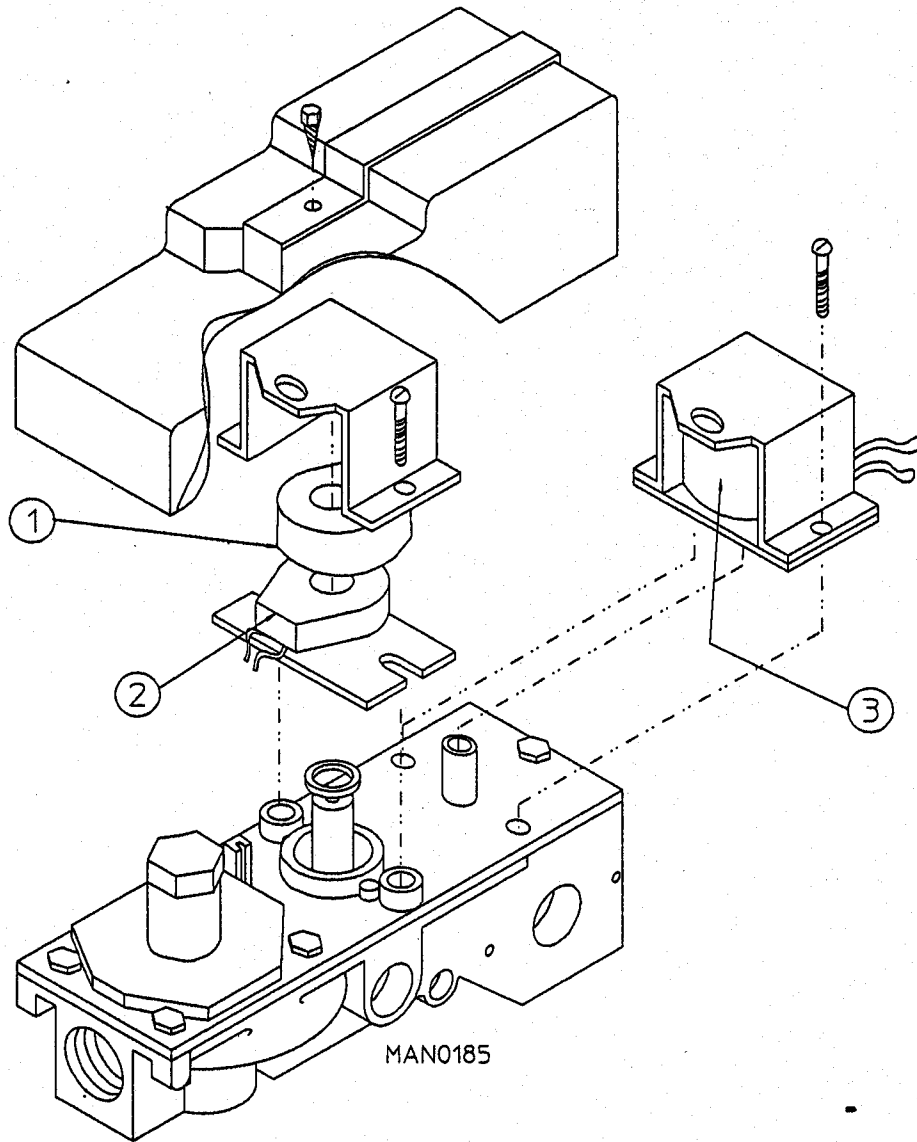
For Glo-Bar Ignition Models ONLY



Illus. No.	Part Number	Qty.	Description
1	140116	1	Holding Coil
2	140115	1	Booster Coil
3	140117	1	Secondary Coil
4	140118	1	Hi/Lo Coil

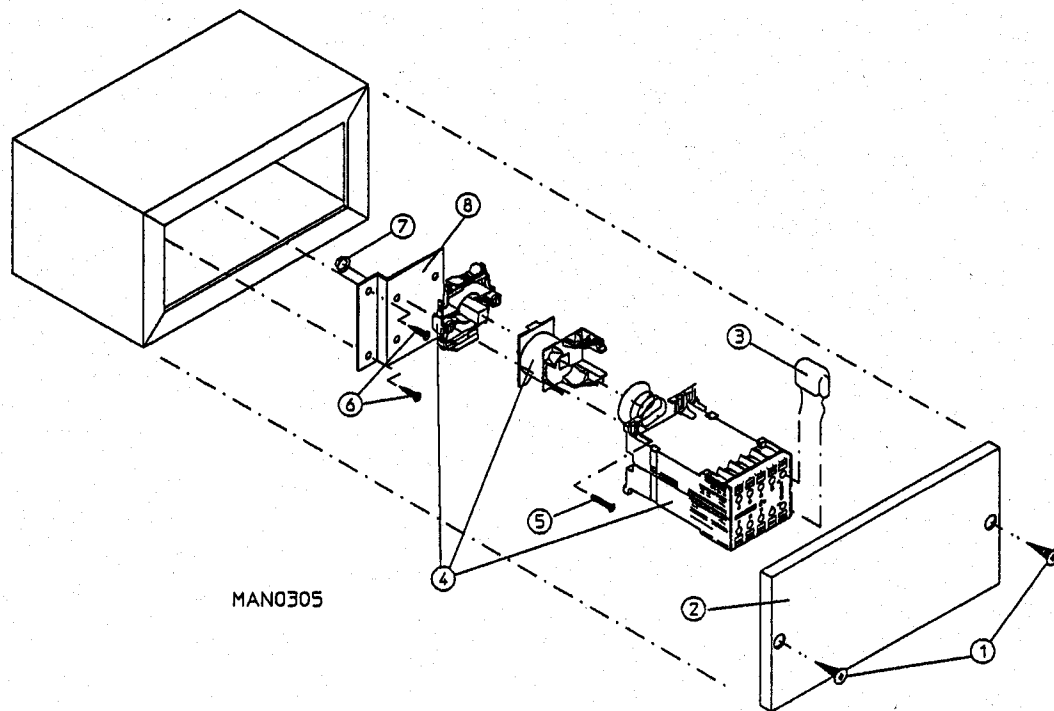


For Glo-Bar Ignition Models ONLY



Illus. No.	Part Number	Qty.	Description
1	140111	1	Holding Coil
2	140112	1	Booster Coil
3	140110	1	Secondary Coil

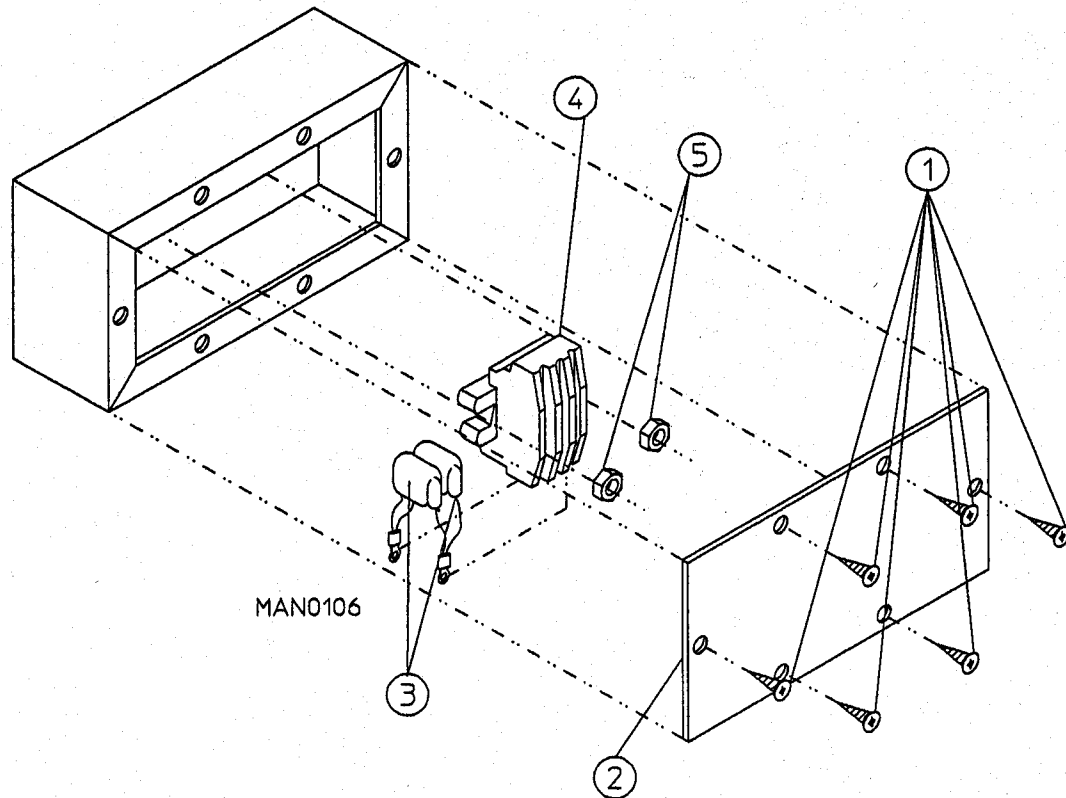
Telemecanique (208/230 VAC Controls)



Illus. No.	Part Number	Qty.	Description
1	150415	6	#10-16 x 1/2" Phillips Round Head Crimptite Screw
2	311913	1	Service Box Cover Plate (9-7/8" x 4-3/8")
	311921	1	Service Box Cover Plate (9-7/8" x 5-3/4")
3*	137015	1	Arc Suppressor Capacitor Only
4	132425	1	Impellor Contactor (208/230/240v 50/60Hz)
	132427	1	Impellor Contactor Replacement Coil (208/230/240v 50/60Hz)
5	151000	4	#8-32 x 1/2" Round Head Machine Screw
6	150300	2	#10 x 1/2" Hex Washer TEK Screw
7	151001	4	#8-32 Pal Nut
8	311920	1	3-Phase (3Ø) Non-Reversing Contactor Mounting Bracket

\* For use on microprocessor models ONLY.

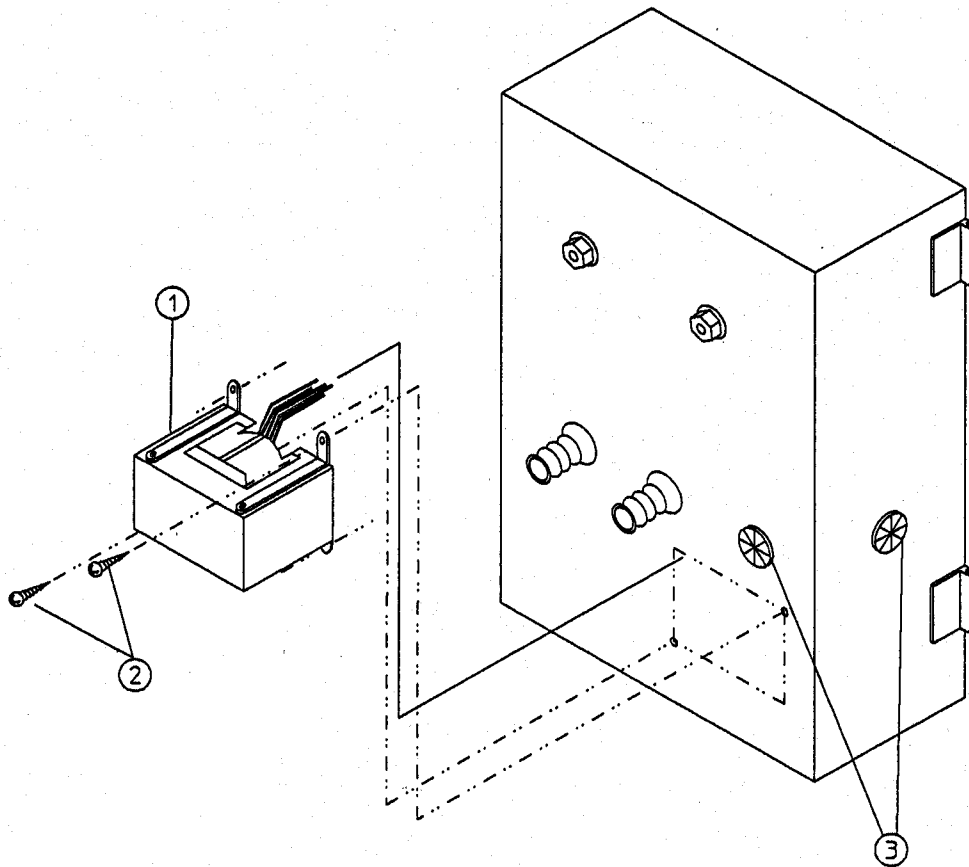
Furnas (208/230 VAC Controls)



Illus. No.	Part Number	Qty.	Description
1	150415	6	#10-16 x 1/2" Phillips Round Head Crimptite Screw
2	311913	1	Service Box Cover Plate (9-7/8" x 4-3/8")
3*	880662	1	Dual RC Suppressor Only
4	132400	1	Impellor Contactor Only
5	151001	4	#8-32 Pal Nut

\* For use on microprocessor models ONLY.

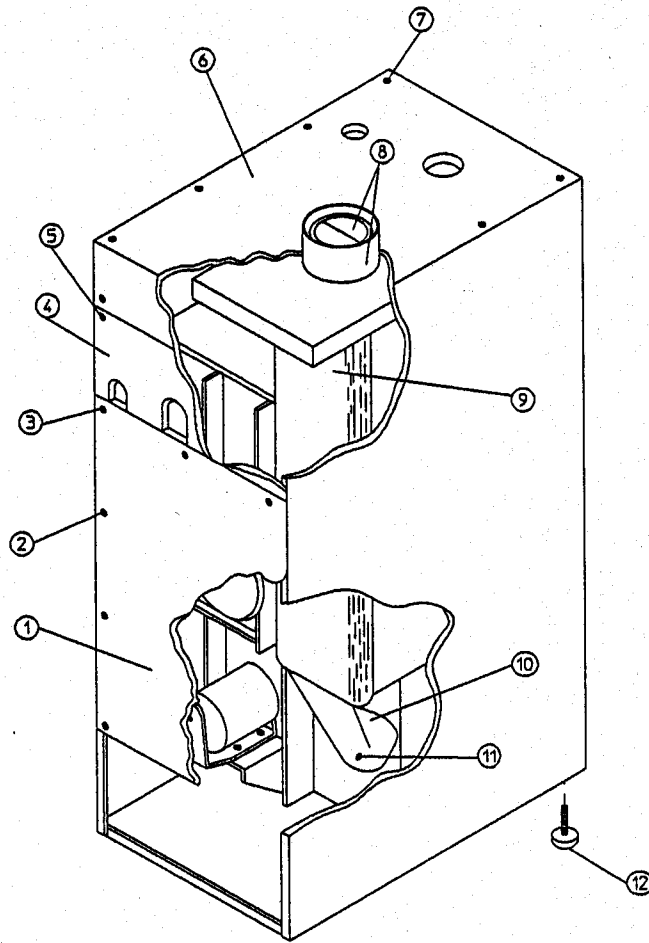
For Glo-Bar Ignition Models ONLY



MAN0206

Illus. No.	Part Number	Qty.	Description
1*	132002	1	200-Watt Transformer 115VAC (terminals not included)
2	150415	2	#10-16 x 1/2" Phillips Round Head Crimptite Screw
3	121400	2	Universal Bushing
--	880120	1	Terminal Package for Glo-Bar Transformer

\* Used on 208/230 volt models ONLY.



MAN0142

Illus. No.	Part Number	Qty.	Description
1	330626	1	AD-285 Back Guard
2	150301	6	#8-18 x 7/16" Phillips Pan Head TEK Screw
3	150300	3	#10 x 1/2" Hex Washer TEK Screw
4	330623	1	AD-285 Center Back Guard
5	150300	3	#10 x 1/2" Hex Washer TEK Screw
6	330621	1	AD-285 Outer Top Guard
7	150300	11	#10 x 1/2" Hex Washer TEK Screw
8	880502	1	Heat Reclaimer (6") Damper Assembly
9	143517	1	42" Long x 7" Oval Duct
10	143515	1	6" Round x 7" Oval - 90° Boot
11	150300	2	#10 x 1/2" Hex Washer TEK Screw
12	103500	4	Adjustable Leveling Leg
---	117505	4	Aluminum Duct Tape (sold in feet)

---

<u>Part No.</u>	<u>Description</u>
112027	"Water Washed Fabrics" Label
112040	"Lint Compartment" Label
112041	"Caution-Exhausted" Label
112530	"Program Location Summary " Coin Label
112531	"Phase 3 OPL Program Location Summary" Label
120100	3/8" Straight (BX) Connector
120300	3/8" x 45° (BX) Connector
120400	3/8" Red Jacket (BX) Insulator
120500	3/8" Jiffy Clip (BX Retainer Clip)
120600	3/8" Greenfield (BX)
120800	1/4" In-Line Connector
120802	Red Butt Connector
120902	#74B Wire Nut
120903	Crimp-on Wire Nut
121014	1/4" Insulated (female) Terminal
121026	Tab Receptacle Combination
121499	4" Harness Tie
121500	7" Harness Tie
121503	Harness Tie Mounting Clip
122804	Manometer (water column test gauge)
880200	Electrical Terminal (assortment) Kit

Microprocessor Coin Acceptor Listing\*

**NOTE:** Coin acceptors listed include optical switch (ADC Part No. 137056).

Single Coin

<u>ADC Part Number</u>	<u>Nation</u>	<u>Description</u>
125100	United States and Canada	25¢ Optic Coin Acceptor
125127	Canada	\$1 Canadian Optic Coin Acceptor
125101	United Kingdom	1 New Pence Optic Coin Acceptor
125114	United Kingdom	20 New Pence Optic Coin Acceptor
125115	United Kingdom	1 English Pound (1£) Optic Coin Acceptor
125102	Belgium	5 Belgian Franc Optic Coin Acceptor
125106	France	1 French Franc Optic Coin Acceptor
125120	France	2 French Franc Optic Coin Acceptor
125124	France	5 French Franc Optic Coin Acceptor
125109	Denmark	1 Danish Krona Optic Coin Acceptor
125125	Netherlands	25¢ Dutch Guilder Optic Coin Acceptor
125108	Australia	10¢ Australian Optic Coin Acceptor
125107	Australia	50¢ Australian Optic Coin Acceptor
125130	Australia	\$1 Australian Optic Coin Acceptor
125123	New Zealand	50¢ New Zealand Optic Coin Acceptor
125104	Japan	100 Yen Optic Coin Acceptor
125103	---	.882 Token Optic Coin Acceptor
125121	---	.800 Token Optic Coin Acceptor
125129	---	Muller Token Optic Coin Acceptor

Dual Coin

<u>ADC Part Number</u>	<u>Nation</u>	<u>Description</u>
125116	United States and Canada	10¢/25¢ Dual Optic Coin Acceptor
125128	Canada	25¢/\$1 Dual Optic Coin Acceptor
125112	United Kingdom	10/20 Pence Dual Optic Coin Acceptor
125110	United Kingdom	10/50 Pence Dual Optic Coin Acceptor
125111	United Kingdom	20/50 Pence Dual Optic Coin Acceptor
125113	United Kingdom	1£/20 Pence Dual Optic Coin Acceptor
125119	Belgium	5/20 Belgian Franc Dual Optic Coin Acceptor
125122	France	2/5 French Franc Dual Optic Coin Acceptor
125117	Denmark	1/5 Danish Krona Dual Optic Coin Acceptor
125131	Denmark	5/10 Danish Krona Dual Optic Coin Acceptor
125126	Netherlands	25/1 Dutch Guilder Dual Optic Coin Acceptor
125118	Singapore	20¢/50¢ Singapore Dual Optic Coin Acceptor
125105	Japan	50/100 Yen Dual Optic Coin Acceptor

\* Consult factory for coin acceptors not listed.

## Wiring Diagrams

A wiring diagram is located on the back side of the control (service) door of each ADC dryer. Due to the various electrical options available on the model AD-285 dryer, the wiring diagrams on the following pages may not necessarily depict your specific dryer. The various wiring diagrams are identified by number, in the upper right-hand corner of each diagram.

### Table Of Contents

#### Direct Spark Ignition (DSI) Models (ADG-285DH)

Phase 4.1 Coin Computer Dryer Circuits (B622611) .....	63
Phase 4.1 Coin Computer Dryer Circuits (531880C) .....	64
Phase 4.1 Coin Computer Input/Output Circuits .....	65
Phase 4 OPL Computer Dryer Circuits (B622711) .....	66
Phase 4 OPL Computer Dryer Circuits (531780D) .....	67
Mechanical Coin Meter Dryer Circuits (B122441) .....	68
Mechanical Coin Meter Dryer Circuits (131380A) .....	69
Dual Timer Dryer Circuits (B122311) .....	70
Dual Timer Dryer Circuits (131280B) .....	71

#### Glo-Bar Ignition Models (ADG-285BH)

Phase 4 Coin Computer Dryer Circuits (531830) .....	72
Phase 4 Coin Computer Input/Output Circuits .....	73
Phase 3 OPL Computer Dryer Circuits (531730) .....	74
Phase 3 OPL Computer Input/Output Circuits .....	75
Mechanical Coin Meter Dryer Circuits (121350) .....	76
Mechanical Coin Meter Dryer Circuits (131350) .....	77
Dual Timer Dryer Circuits (121250) .....	78
Dual Timer Dryer Circuits (131250) .....	79

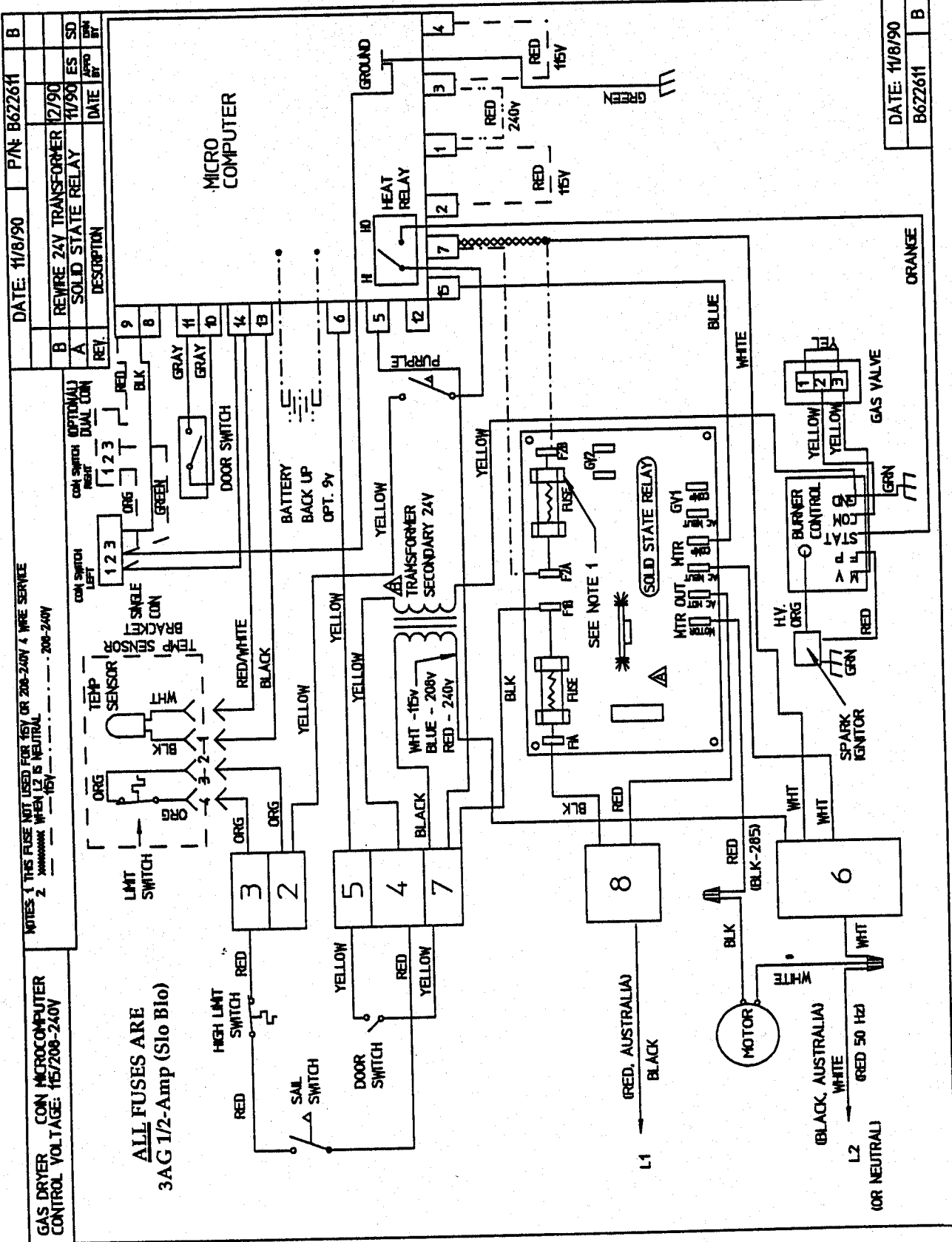
#### Motor Circuits

Internal Single Phase (1Ø) Motor Wiring .....	80
3-Phase (3Ø) Motor Wiring .....	81

#### Transformer Wiring

Direct Spark Ignition (DSI) Transformer Wiring .....	82
Glo-Bar Ignition Transformer Wiring .....	83



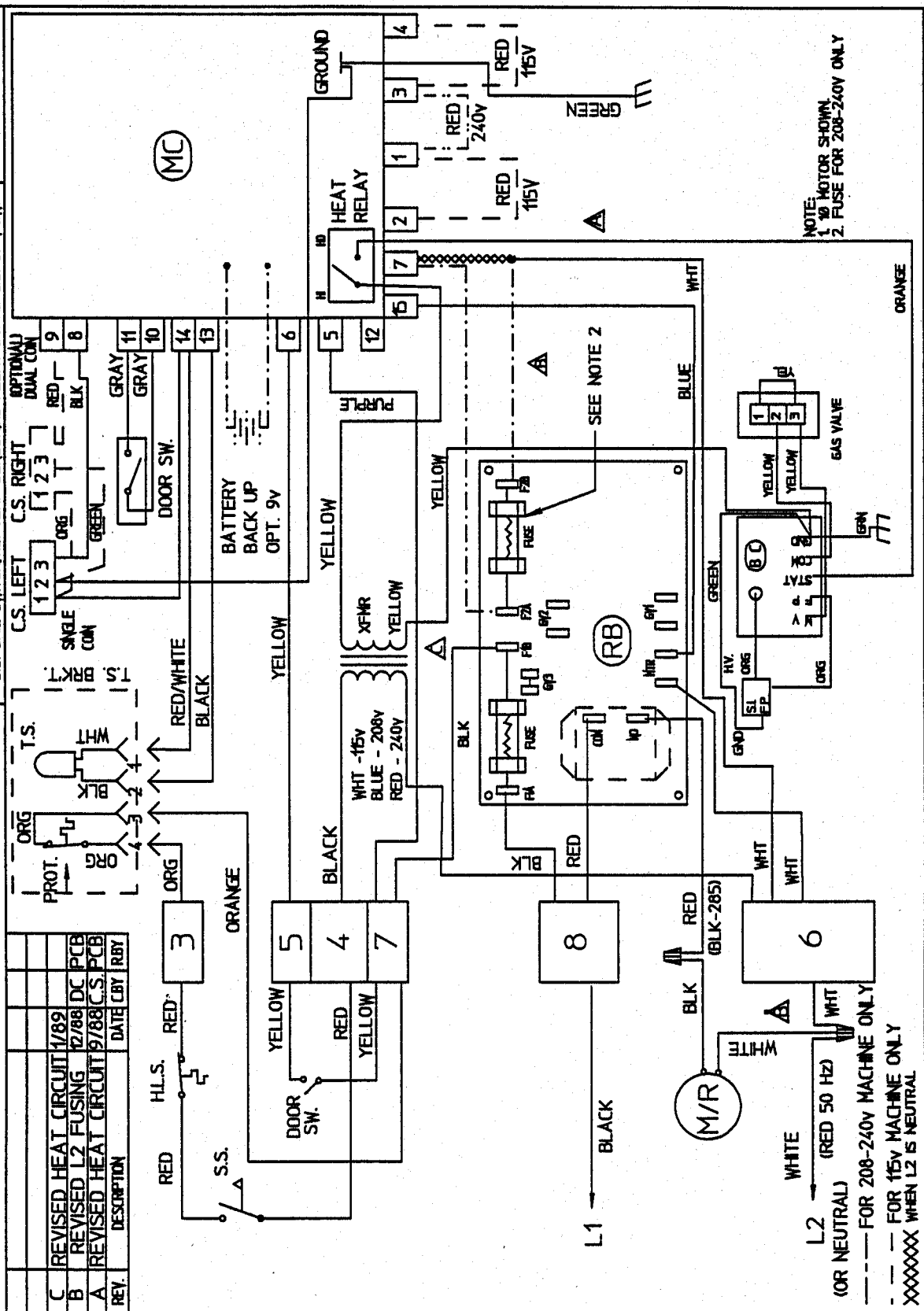


AMERICAN DRYER CORP. 88 CURRANT RD. FALL RIVER, MA 02720  
 GAS DRYER 100,115,208 OR 240V 50/60 HZ TEL. (508) 678-9000

531880C  
 DATE: 6-28-86

ABBREVIATIONS: MC-MICRO COMP. BC-BURNER CNTRL  
 MR-MOTOR OR RELAY/LS-HIGH LIMIT SWITCH/SL-SOLENOID  
 S.S.-SAL SWITCH/S-TEMP SENSOR/RB-RELAY BOARD C.S.-CON SW.

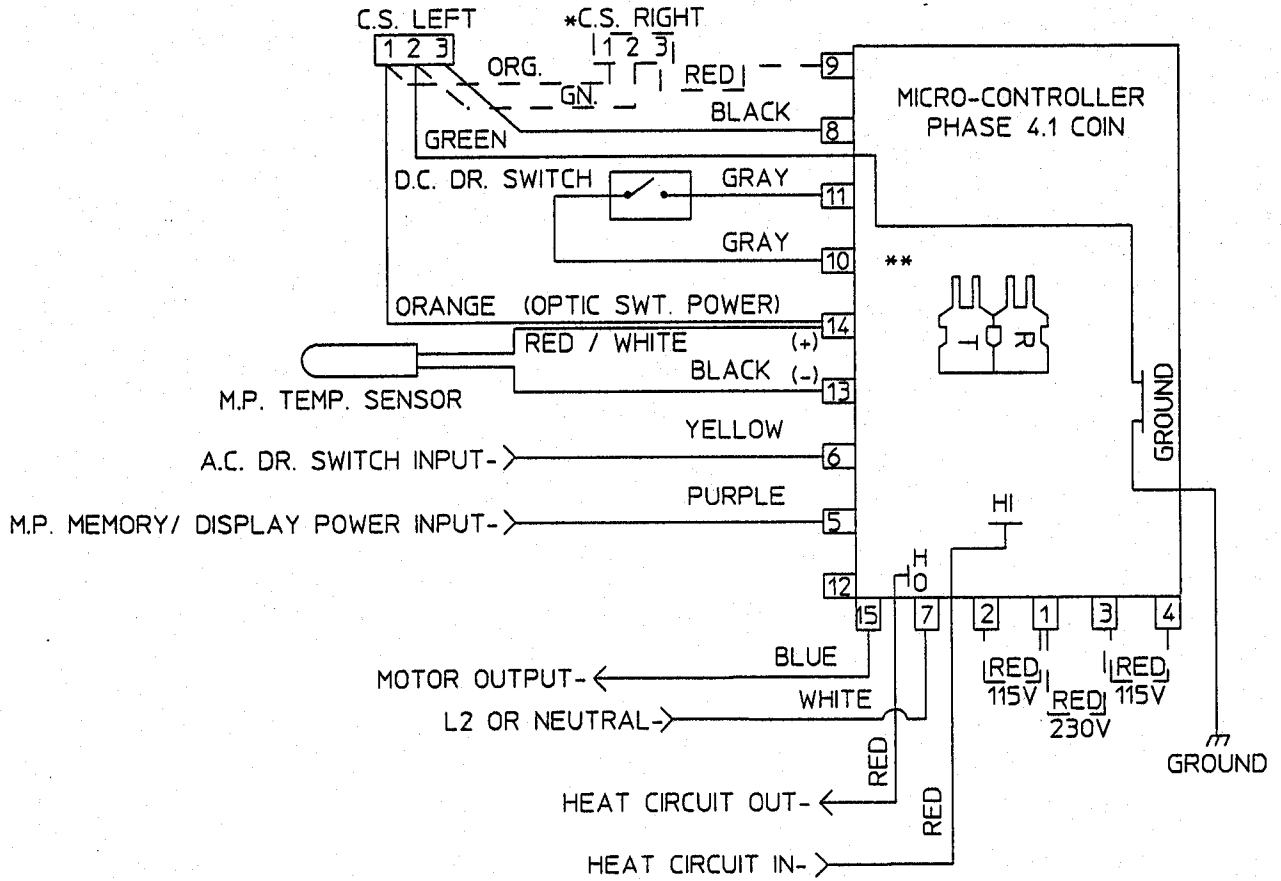
REV.	DESCRIPTION	DATE	CBY	RBV
C	REVISED HEAT CIRCUIT	1/89		
B	REVISED L2 FUSING	12/88	DC	PCB
A	REVISED HEAT CIRCUIT	9/88	C.S.	PCB



NOTE:  
 1. NO MOTOR SHOWN  
 2. FUSE FOR 208-240V ONLY

(OR NEUTRAL)  
 (RED 50 HZ)  
 --- FOR 208-240V MACHINE ONLY  
 - - - - FOR 115V MACHINE ONLY  
 XXXXXXX WHEN L2 IS NEUTRAL

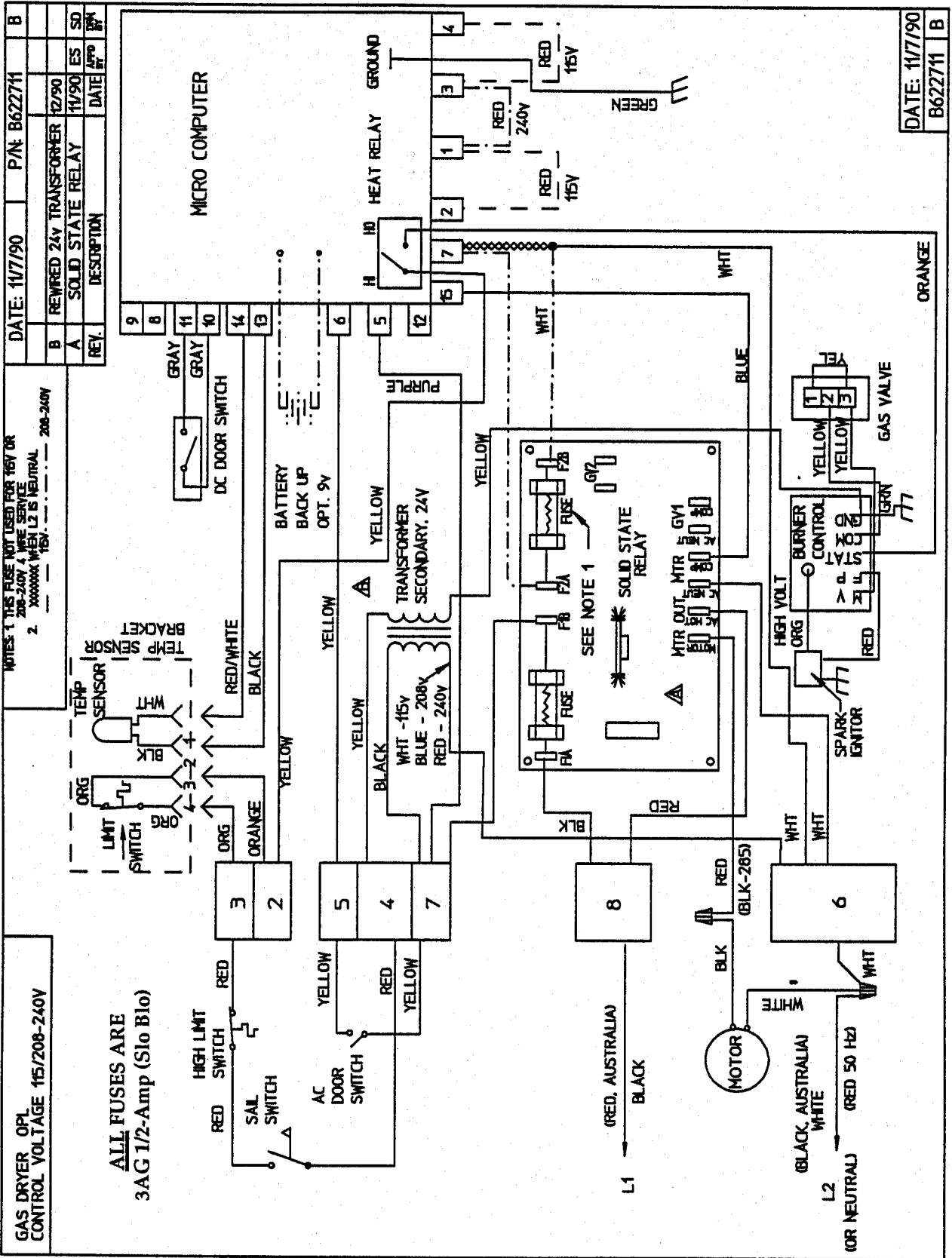
**PHASE 4.1 COIN MICROPROCESSOR CONTROLLER CIRCUITS**

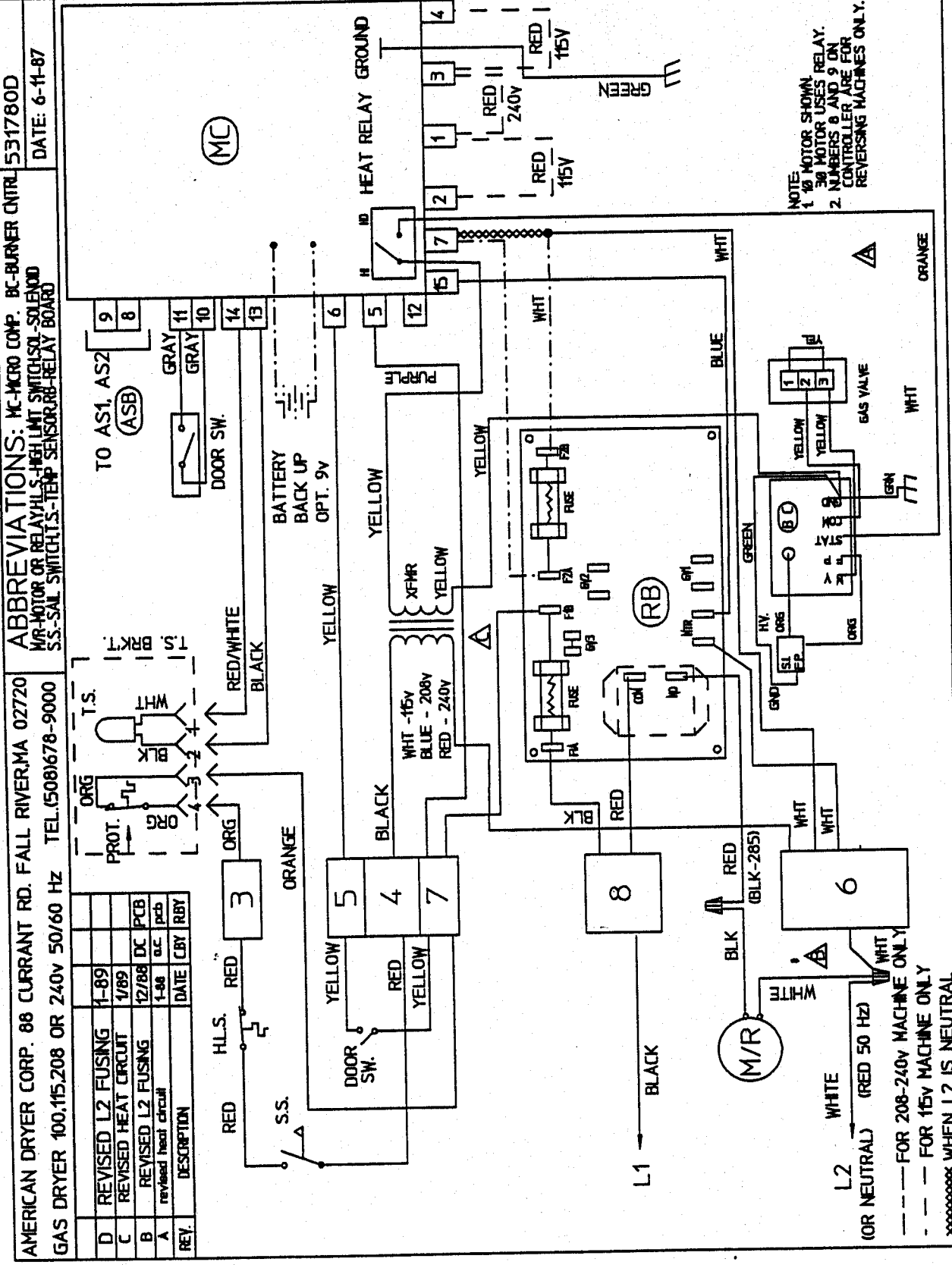


\* DUAL COIN MODELS ONLY

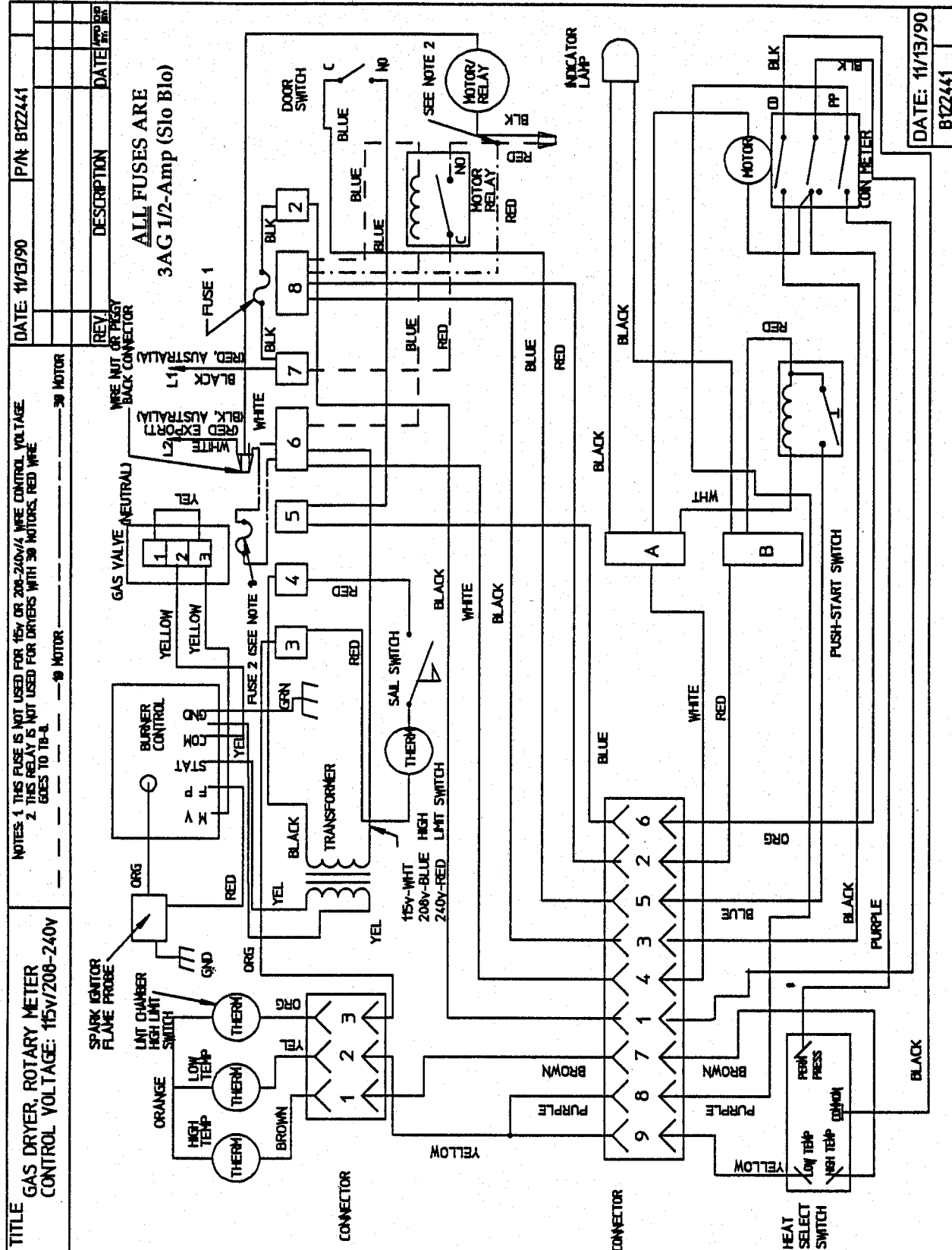
MAN0790

\*\* TRANSMITTER -RECEIVER FIBEROPTIC CONNECTORS





(OR NEUTRAL) (RED 50 HZ)  
 --- FOR 208-240V MACHINE ONLY  
 - - - FOR 15V MACHINE ONLY  
 xxxxxxxxxxxx WHEN L2 IS NEUTRAL



**TITLE** GAS DRYER, ROTARY METER CONTROL VOLTAGE: 15V/208-240V

**DATE:** 11/13/90

**P/N:** B122441

**REV.** 1 THIS FUSE IS NOT USED FOR 15V OR 208-240V/4 WIRE CONTROL VOLTAGE  
 2 THIS RELAY IS NOT USED FOR DRYERS WITH 30 MOTORS, RED WIRE GOES TO TB-4

WIRE NUT OR PEGGY BACK CONNECTOR

30 MOTOR

10 MOTOR

**DATE:** 11/13/90  
**B122441**

AMERICAN DRYER CORP. 88 CURRANT RD. FALL RIVER, MA 02720  
 GAS DRYER 15V OR 208-240V/50/60/1Z TEL. (508) 678-9000  
 METER/SPARK IGNITION

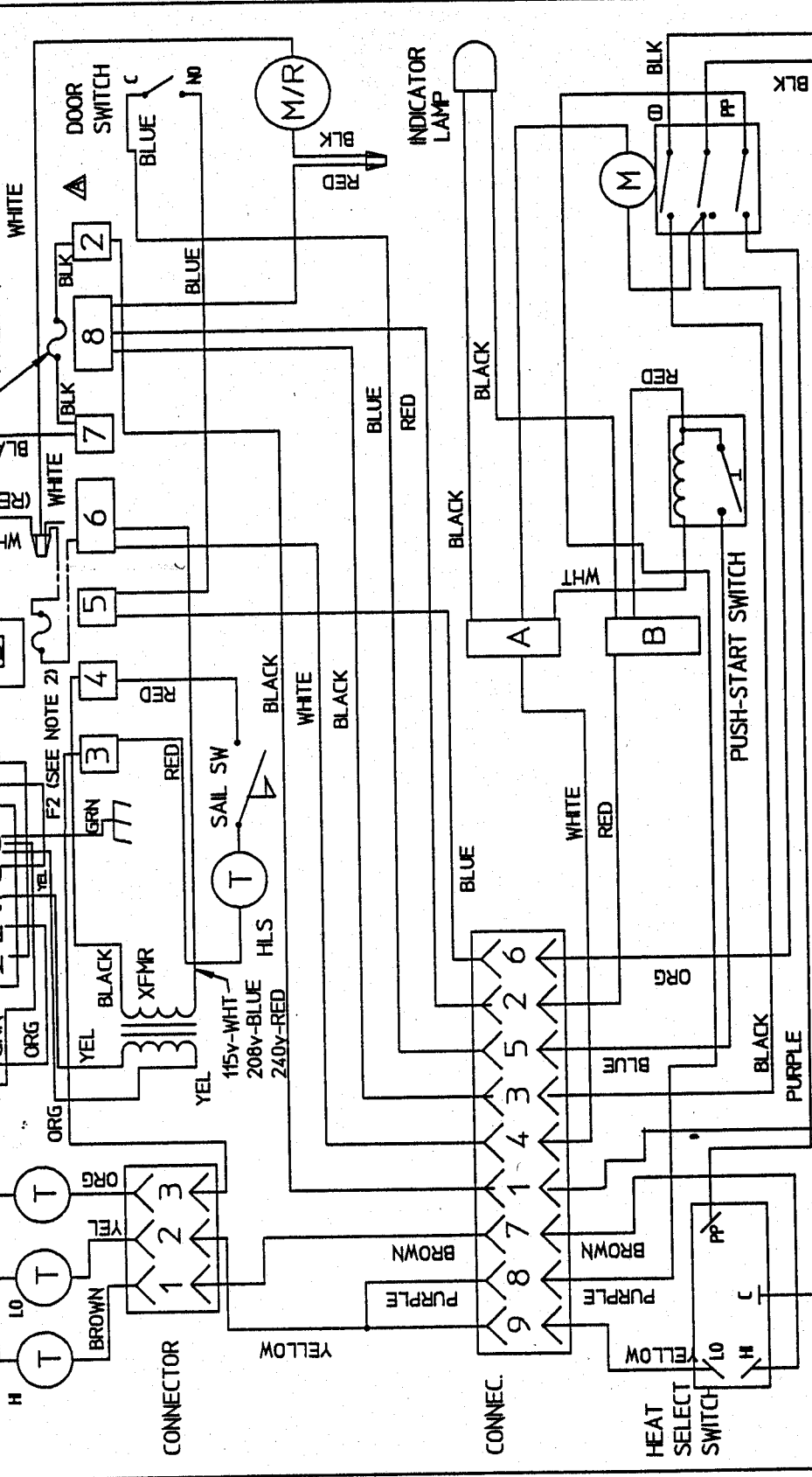
ABBREVIATIONS: C-COMMON  
 MR-MOTOR RELAY  
 PP-PERMA PRESS-THERMOSTAT  
 L-HIGH LIMIT SWITCH  
 L-LOW TEMP  
 H-HI TEMP

BC-BURNER CNTRL  
 DATA: 1/4/89

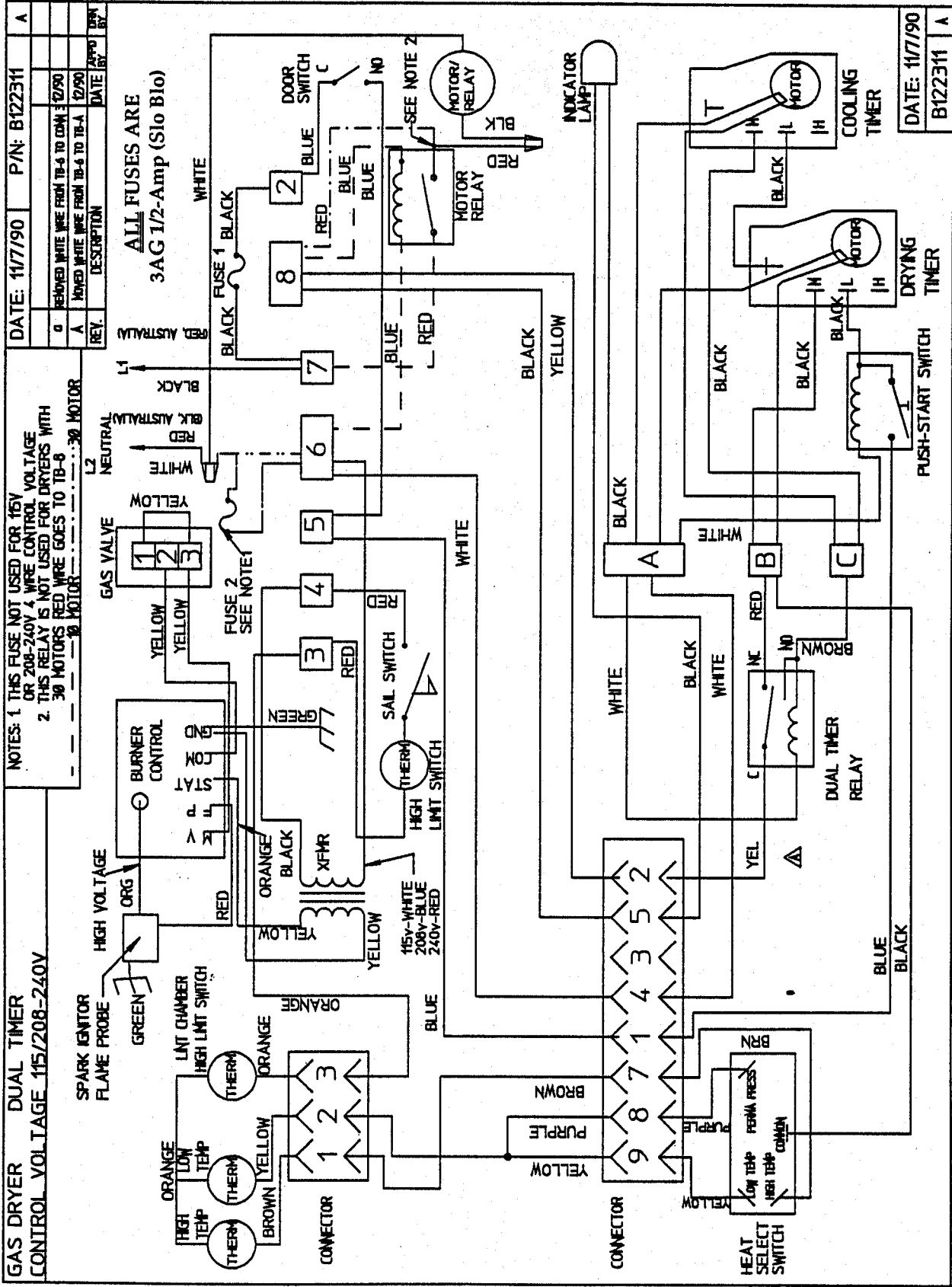
131380A

REV.	DESCRIPTION	DATE	CRBY	RYBY
A	REVISED FUSING	1/89		

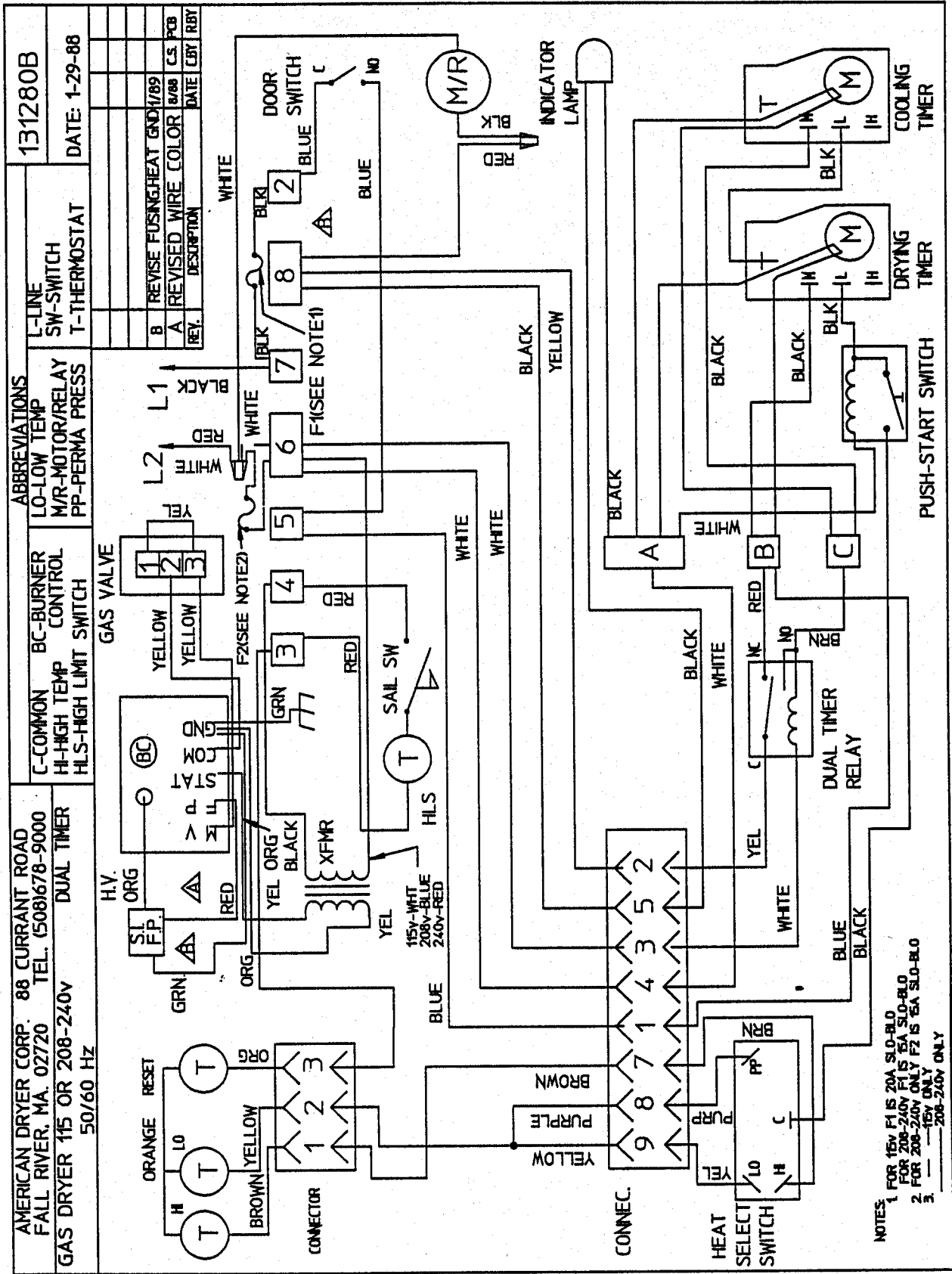
NOTES:  
 1. FOR 15V F1 IS 20A SLO-BLO  
 FOR 208-240V F1 IS 15A SLO-BLO  
 2. FOR 208-240V ONLY F2 IS 15A SLO-BLO  
 3. FOR 15V ONLY F2 IS 15V ONLY

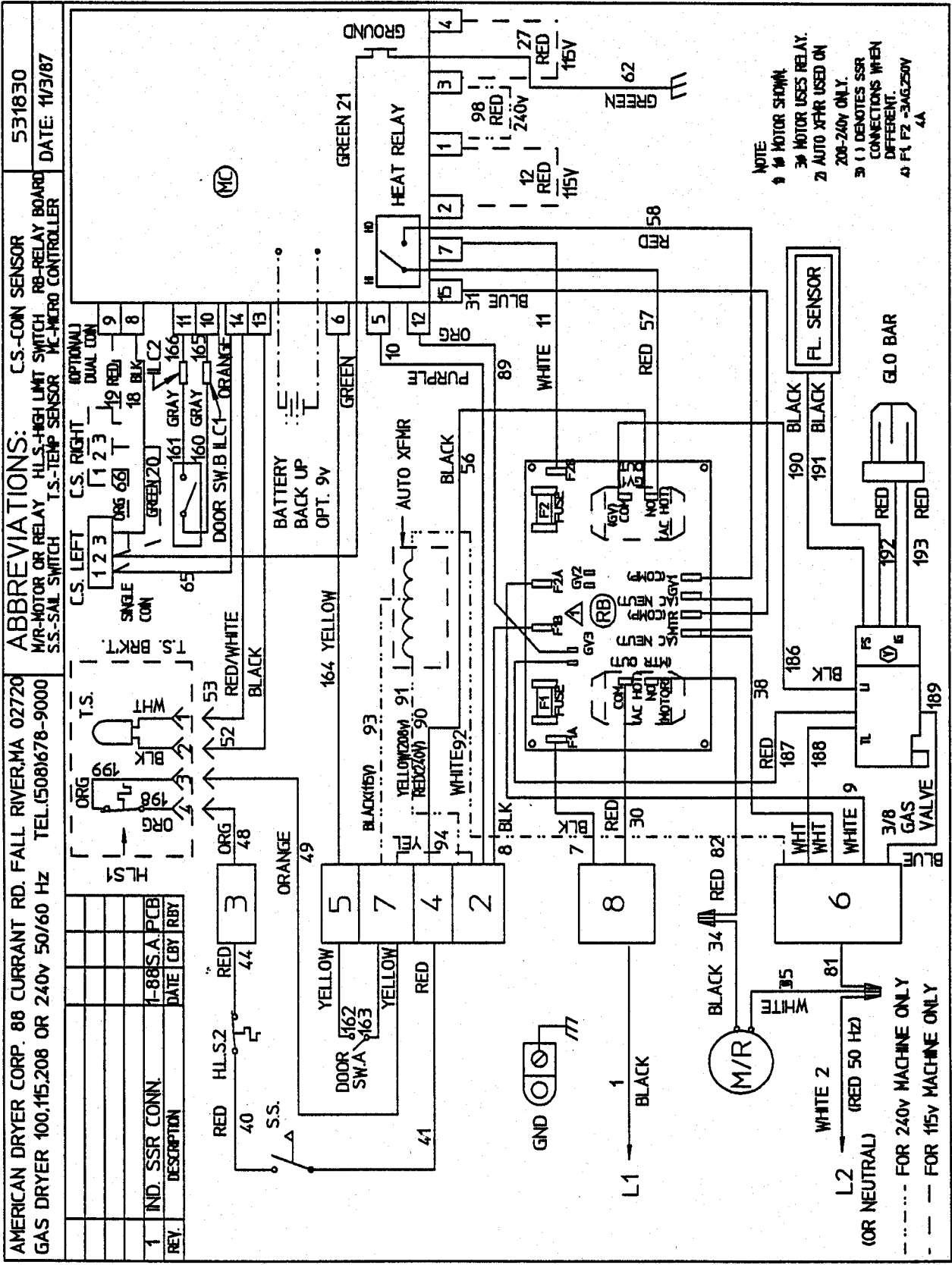


REV.	DESCRIPTION	DATE	CRBY	RYBY
A	REVISED FUSING	1/89		

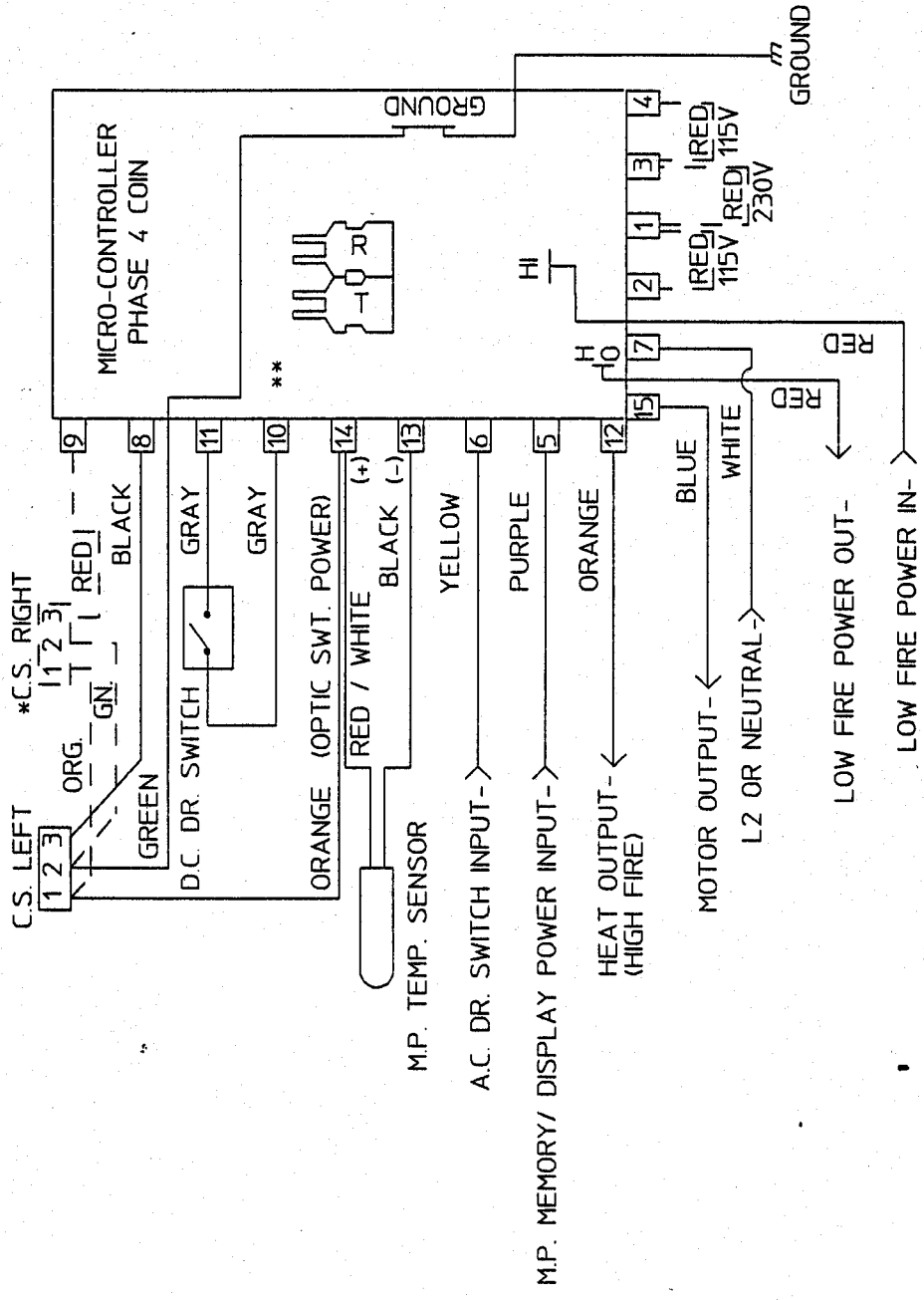








Phase 4 Coin Microprocessor Controller Circuits



MAN0087

\* DUAL COIN MODELS ONLY

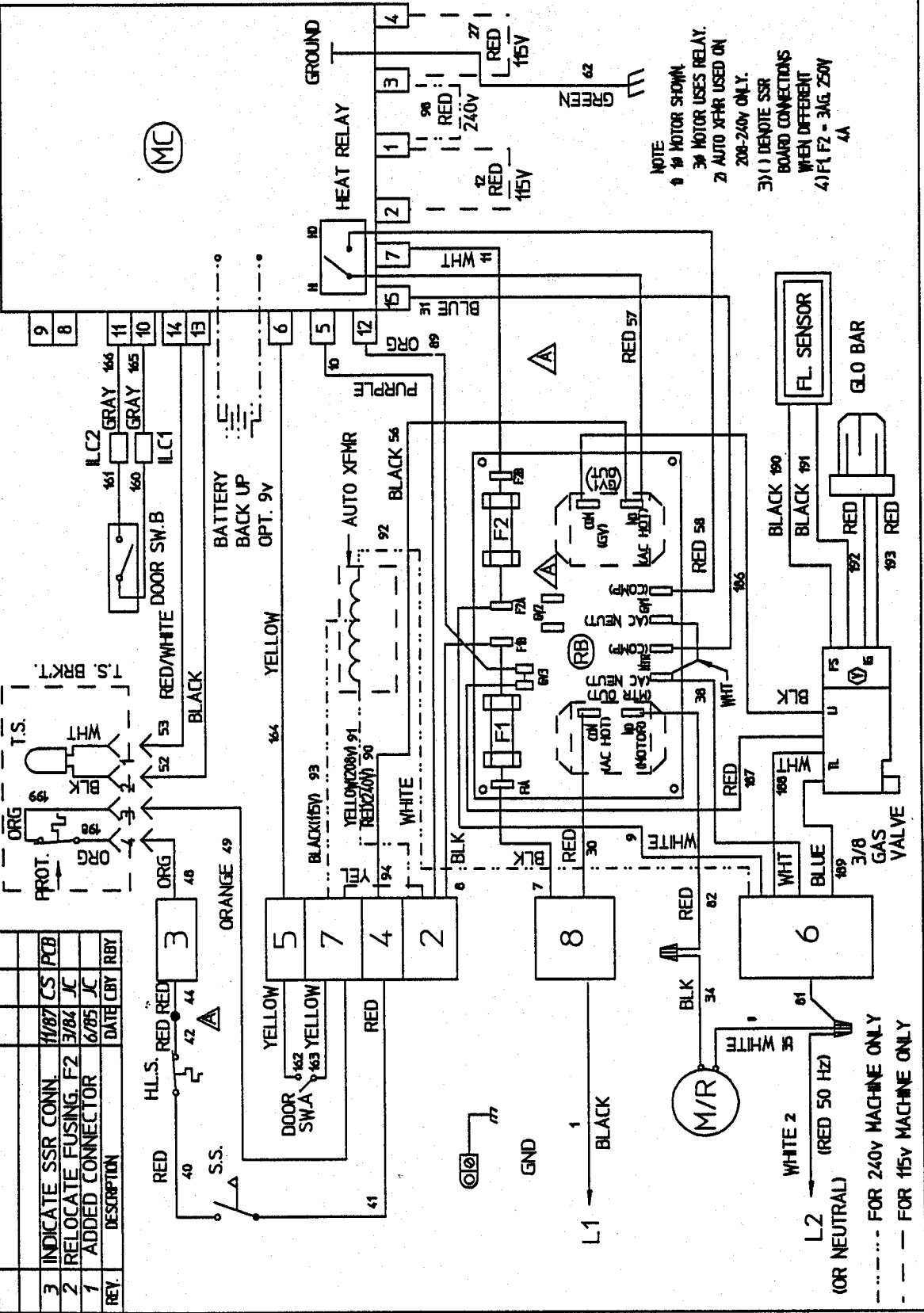
\*\* TRANSMITTER -RECEIVER FIBEROPTIC CONNECTORS

AMERICAN DRYER CORP. 88 CURRANT RD. FALL RIVER, MA 02720  
 GAS DRYER 100,115,208 or 240v 50/60 HZ TEL. (508) 678-9000

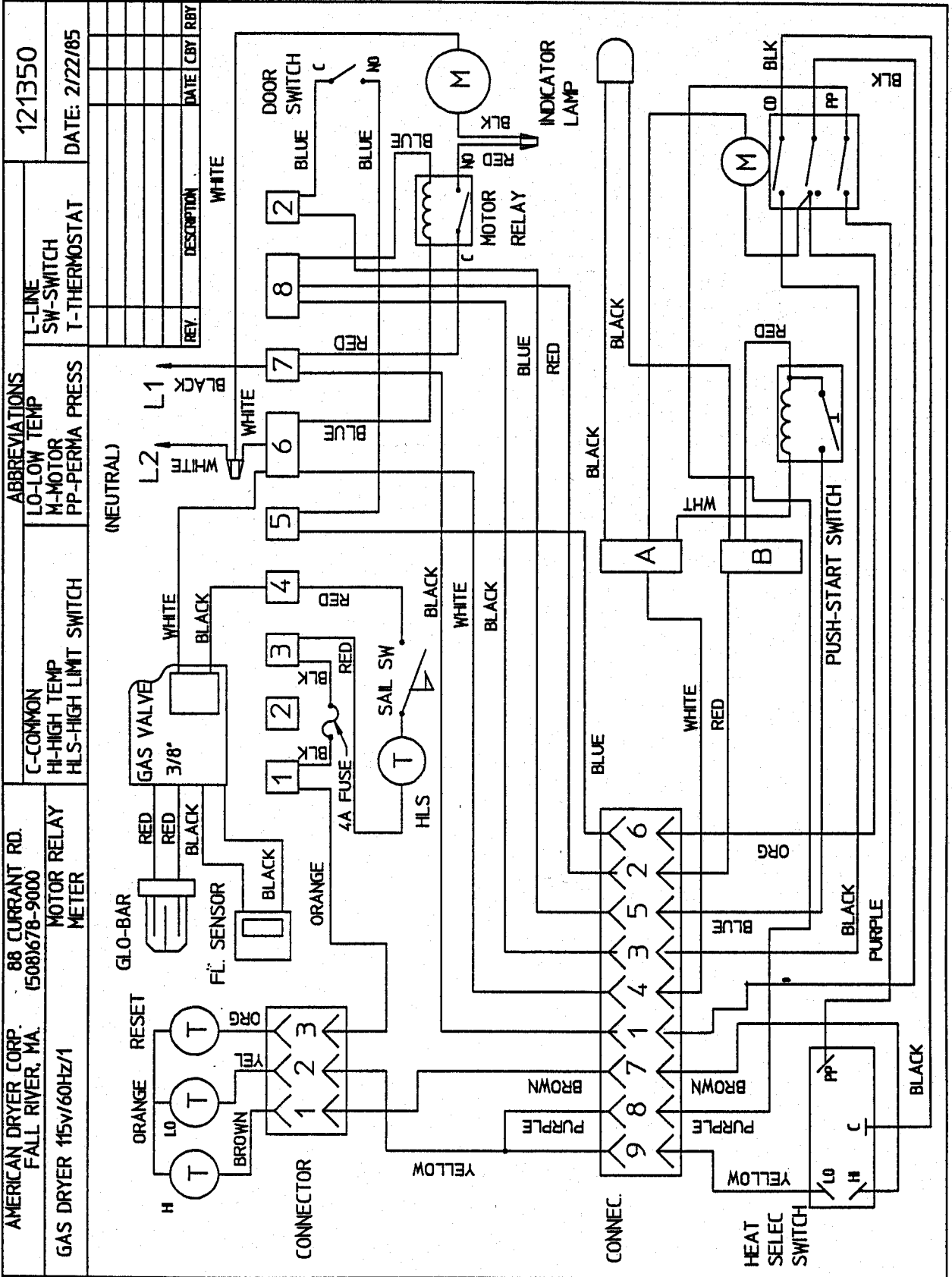
MC-MICRO COMP.  
 M/R-MOTOR OR RELAY  
 H.L.S.-HIGH LIMIT SWITCH  
 S.S.-SAL SWITCH, T.S.-TEMP SENSOR, RB-RELAY BOARD

531730  
 DATE: 3/11/86

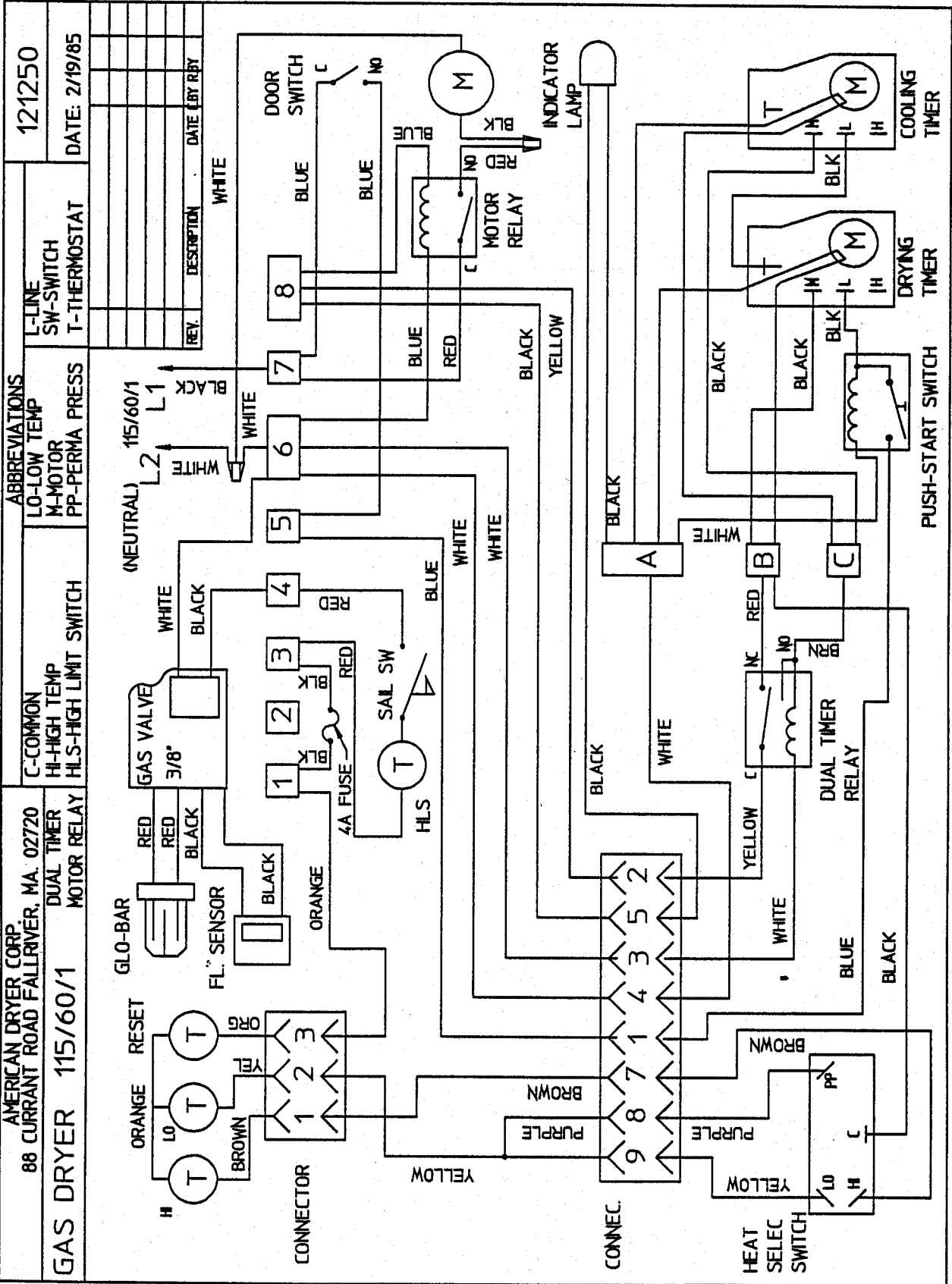
REV.	DESCRIPTION	DATE	CBY	RBV
3	INDICATE SSR CONN	11/87	CS	PCB
2	RELOCATE FUSING. F2	3/84	JC	
1	ADDED CONNECTOR	6/85	JC	



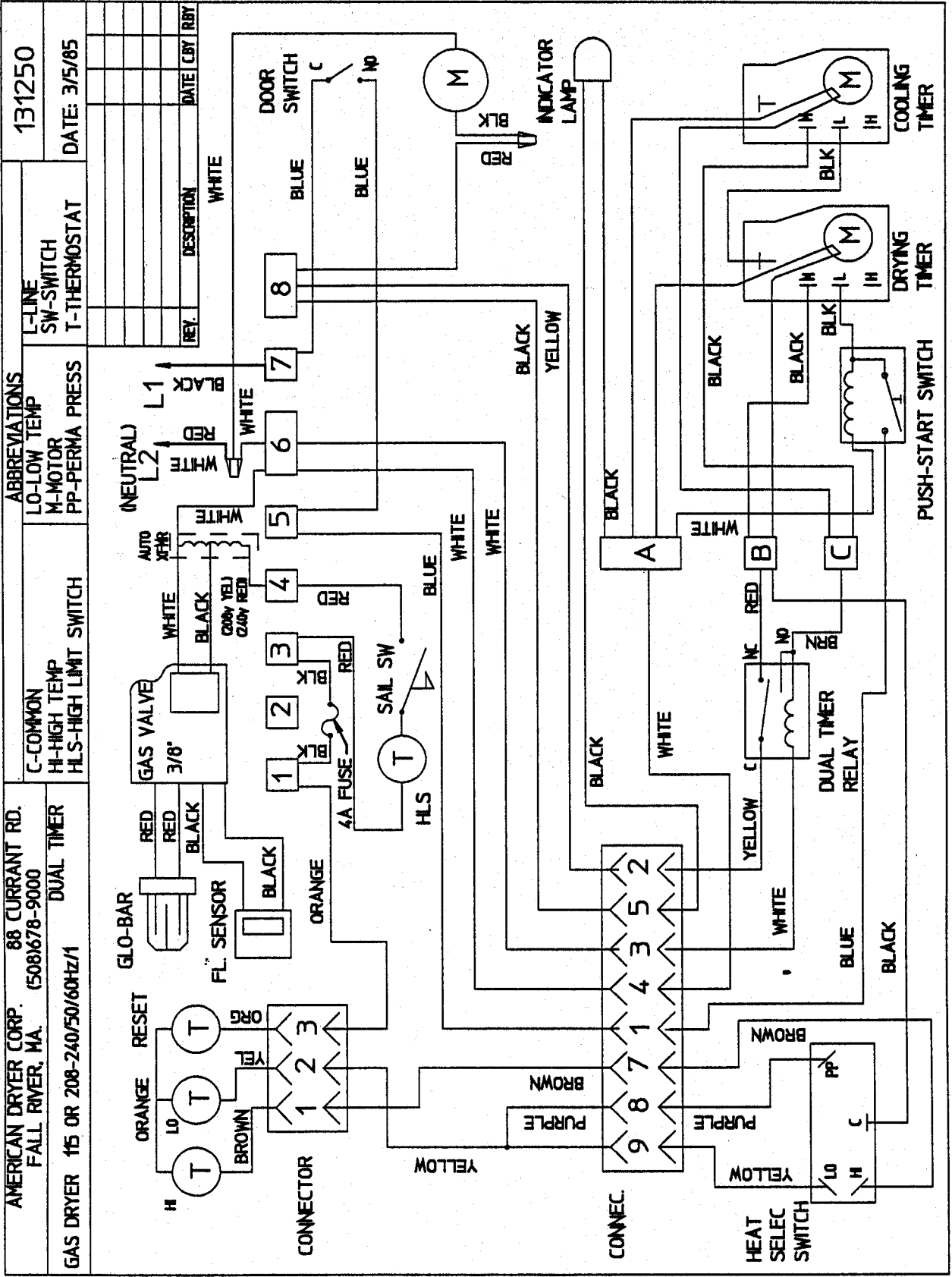








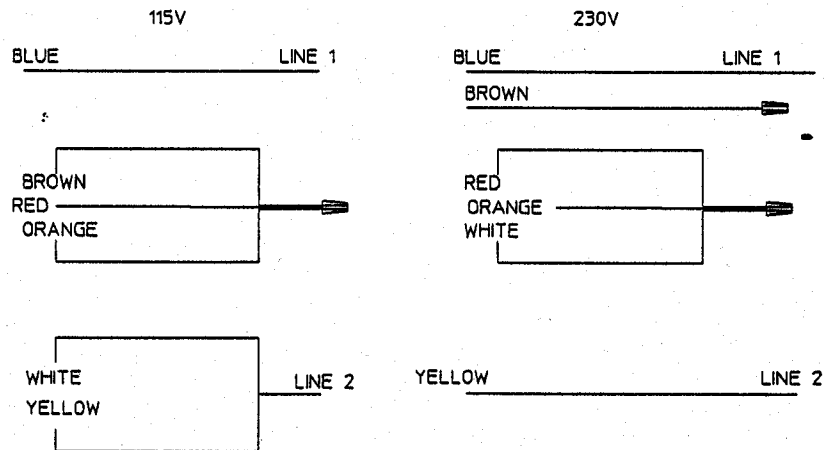
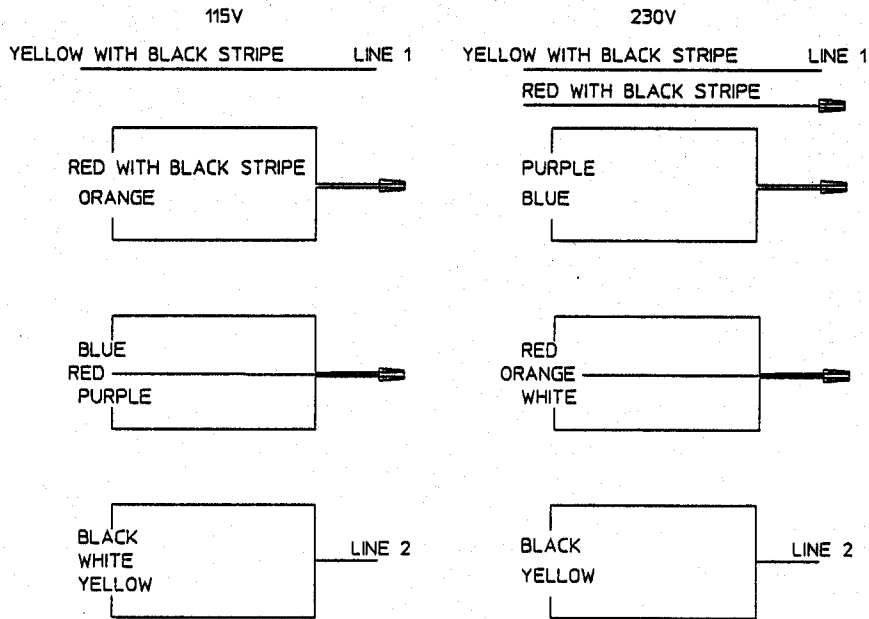




## INTERNAL SINGLE PHASE (1Ø) MOTOR WIRING

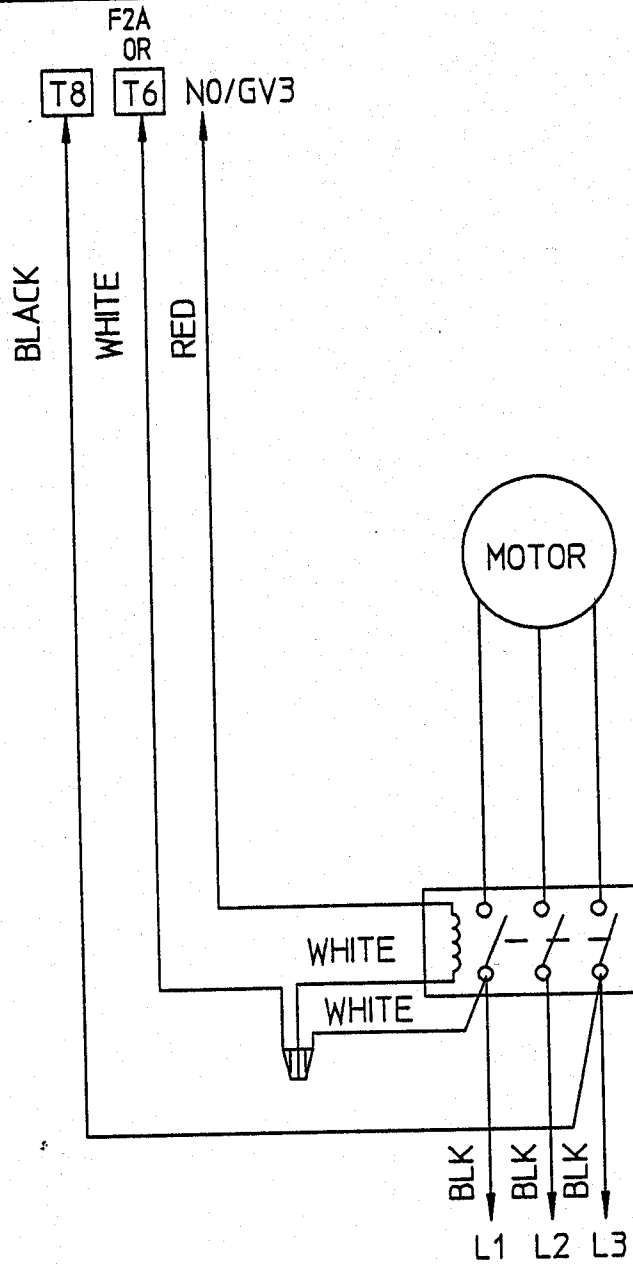
The motor used in an ADC dryer is a dual voltage motor. When replacing a motor in the field, the replacement motor could have been pre-wired by the factory for operation at either 115 volts or 230 volts. **Check** the internal wiring of the motor to assure that the motor is wired internally for the correct voltage application.

**IMPORTANT:** Motor failure due to incorrect voltage application will **void** warranty.



MAN0080

# 3 $\phi$ MOTOR DIAGRAM

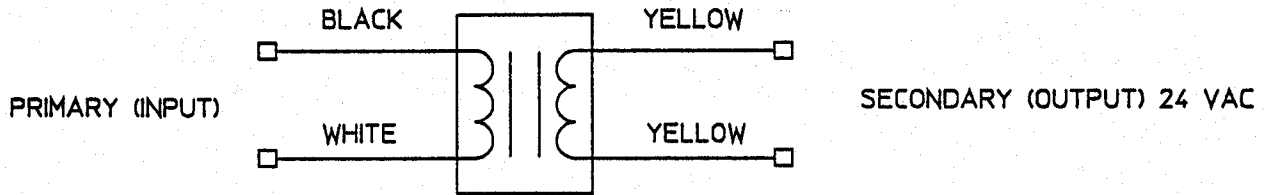


GAS DRYER (COMPUTER)  
208-240v-3 $\phi$  3 WIRE

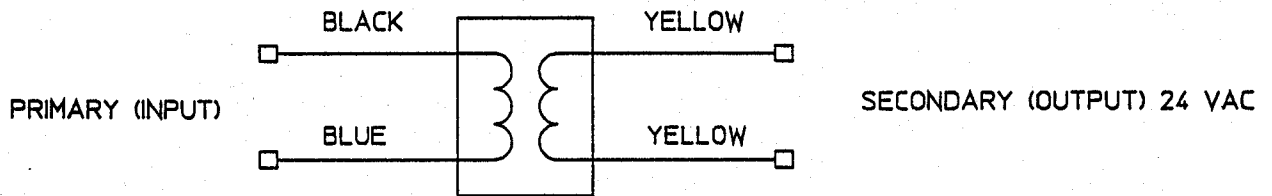
MAN0081

DIRECT SPARK IGNITION (DSI) TRANSFORMER WIRING

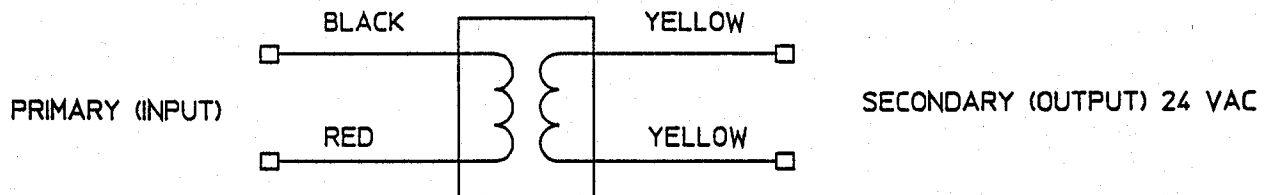
115 VAC CONTROLS



208 VAC CONTROLS



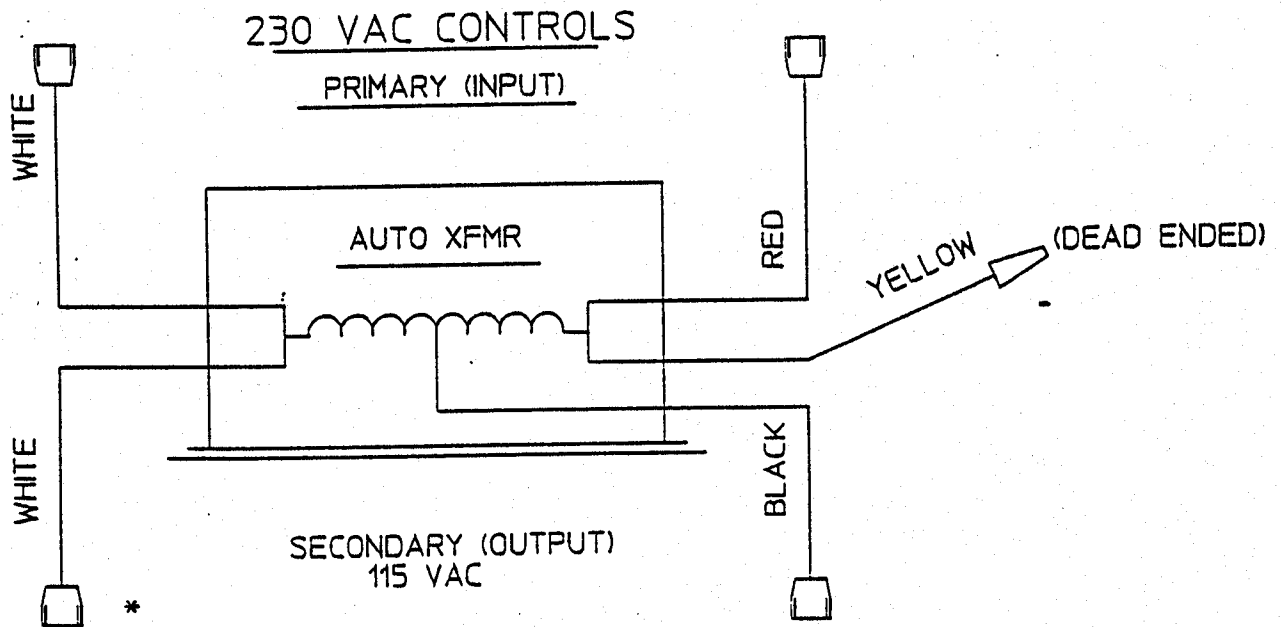
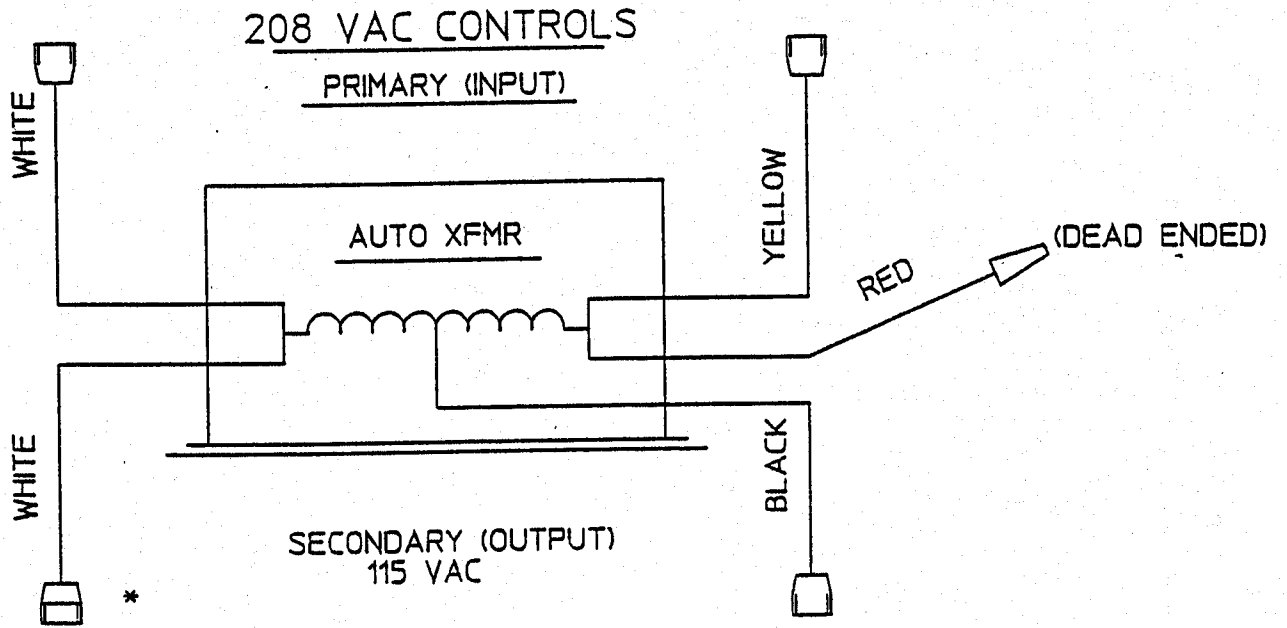
230 VAC CONTROLS



MAN0255

**NOTE:** Terminals (wires) not used must be capped off.

GLO-BAR IGNITION TRANSFORMER WIRING



MAN0083

\* Lead not used on microprocessor Hi/Lo models.

ADC450085

1 - 03/23/92-250

4\* 12/04/95-100

2 - 05/12/92-100

5\* 07/20/00-25

3 \* 11/03/92-500

6 - 06/27/01-25

