

**AD-15 AD-25
Parts Manual
1989 thru 1991**

American Dryer Corporation
88 Currant Road
Fall River, MA 02720-4781
Telephone: (508) 678-9010 / Fax: (508) 678-9447

030192

ADC Part No. 450095

Retain This Manual In A Safe Place For Future Reference

American Dryer Corporation products embody advanced concepts in engineering, design, and safety. If this product is properly maintained, it will provide many years of safe, efficient, and trouble-free operation.

ONLY properly licensed technicians should service this equipment.

Observe all safety precautions displayed on the equipment or specified in the Installation/Operator's Manual included with the dryer.

WARNING: UNDER NO CIRCUMSTANCES should the dryer door switch or the heat circuit devices ever be disabled.

WARNING: The dryer must never be operated with any of the back guards, outer tops, or service panels removed. PERSONAL INJURY or FIRE COULD RESULT.

We have tried to make this manual as complete as possible and hope you will find it useful. ADC reserves the right to make changes from time to time, without notice or obligation, in prices, specifications, colors, and materials and to change or discontinue models.

Important

For your convenience, log the following information:

DATE OF PURCHASE _____ MODEL NO. _____

DISTRIBUTOR'S NAME _____

Serial Number(s) _____

Replacement parts can be ordered from your distributor or the ADC factory. When ordering replacement parts from the factory, you can fax your order to ADC at (508) 678-9447 or telephone your orders directly to the ADC Parts Department at (508) 678-9010. Please specify the dryer **model number** and **serial number** in addition to the **description** and **part number**, so that your order is processed accurately and promptly.

The illustrations on the following pages may not depict your particular dryer exactly. The illustrations are a composite of the various dryer models. Be sure to check the descriptions of the parts thoroughly before ordering.

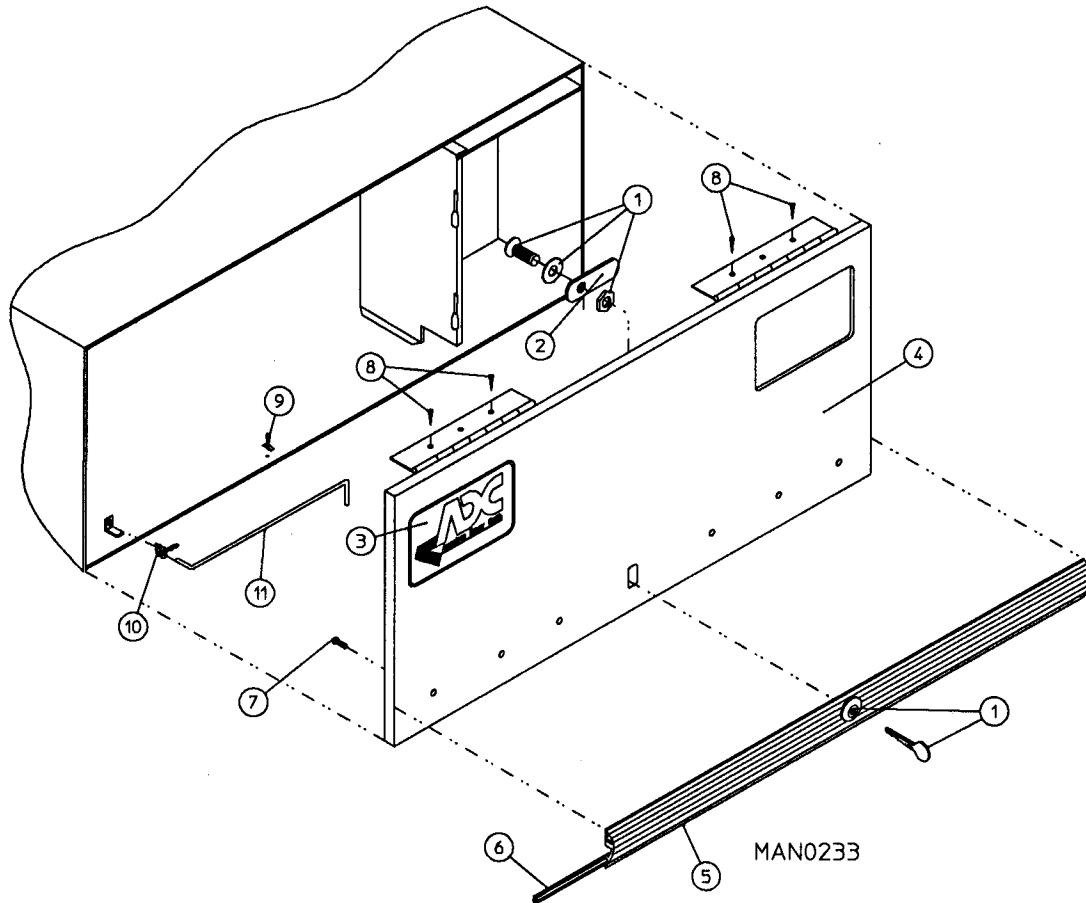
INSTRUCTIONS TO BE FOLLOWED IN THE EVENT THE USER
SMELLS GAS MUST BE POSTED IN A PROMINENT LOCATION. THE
INSTRUCTIONS TO BE POSTED SHALL BE OBTAINED FROM THE
LOCAL GAS SUPPLIER.

Table Of Contents

AD-15 High Security Control Door Assembly	4
AD-25 High Security Control Door Assembly	5
Phase 3 OPL Microprocessor Control Panel Assembly	6
Phase 3 OPL Microprocessor Control Box Assembly	7
Phase 4 OPL Microprocessor Control Panel Assembly	8
Phase 4 OPL Microprocessor Control Box Assembly	9
Phase 4 Single Coin Microprocessor Control Panel Assembly	10
Phase 4 Single Coin Microprocessor Control Box Assembly	11
Phase 4 Dual Coin Microprocessor Control Panel Assembly	12
Phase 4 Dual Coin Microprocessor Control Box Assembly	13
Phase 4.1 Single Coin Microprocessor Control Panel Assembly	14
Phase 4.1 Single Coin Microprocessor Control Box Assembly	15
Phase 4.1 Dual Coin Microprocessor Control Panel Assembly	16
Phase 4.1 Dual Coin Microprocessor Control Box Assembly	17
Dual Timer Control Panel Assembly	18, 19
Dual Timer Control Box Assembly	20, 21
Non-Microprocessor Coin Meter Control Panel Assembly	22
Non-Microprocessor Coin Meter Control Box Assembly	23
Coin Meter Replacement Parts	24
AD-15/ AD-25 Slide Meter Case Assembly	25
AD-15/ AD-25 Slide Meter Control Box Assembly (for Glo-Bar Ignition Models ONLY)	26

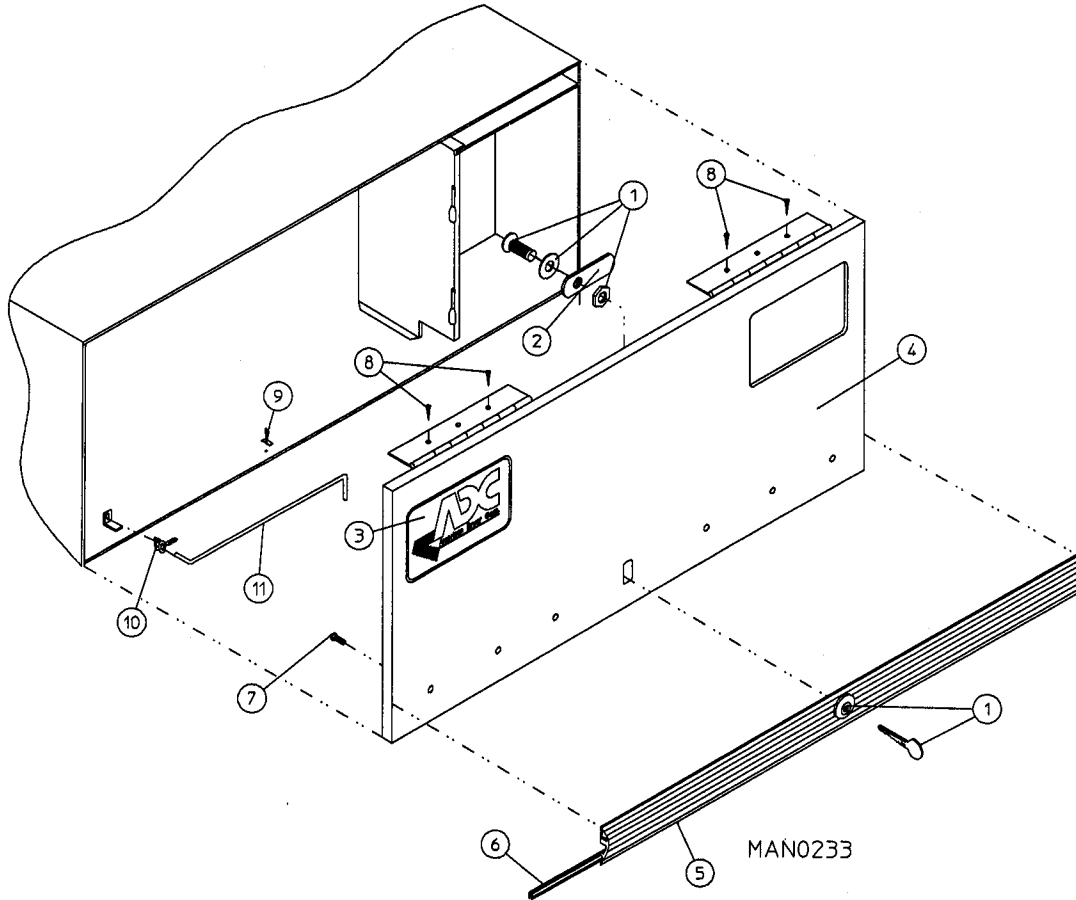
AD-15/AD-25 Slide Meter Control Box Assembly (for Direct Spark Ignition Models ONLY)	27
AD-15/AD-25 Coin Vault Assembly	28
AD-15/AD-25 Main Door Assembly (Door Magnet Type)	29
AD-15 Front Panel Assembly (Door Magnet Type)	30
AD-25 Front Panel Assembly (Door Magnet Type)	31
AD-15/AD-25 Main Door Assembly (Door Latch Type)	32
AD-15 Front Panel Assembly (Door Latch Type)	33
AD-25 Front Panel Assembly (Door Latch Type)	34
N.S. Series Main Door Switch Assembly	35
Plunger Type Main Door Switch Assembly	36
AD-15/AD-25 Lint Trap Assembly	37
AD-15 Drop Lint Door Assembly	38
AD-25 Drop Lint Door Assembly	39
AD-15 Tumbler/Support Assembly	40
AD-25 Tumbler/Support Assembly	41
AD-15/AD-25 Tumbler Bearing Assembly	42, 43
AD-15/AD-25 Idler Bearing Assembly	44, 45
AD-15 Totally Enclosed, Fan-Cooled (T.E.F.C.) Motor Mount Assembly (60 Hz Models — Non-Tapered Ribs ONLY)	46, 47
AD-15 Totally Enclosed, Fan-Cooled (T.E.F.C.) Motor Mount Assembly (50 Hz Models — Non-Tapered Ribs ONLY)	48, 49
AD-25 Totally Enclosed, Fan-Cooled (T.E.F.C.) Motor Mount Assembly (60 Hz Models — Non-Tapered Ribs ONLY)	50, 51
AD-25 Totally Enclosed, Fan-Cooled (T.E.F.C.) Motor Mount Assembly (for 50 Hz Models — Non-Tapered Ribs ONLY)	52, 53

Sensor Bracket Assemblies	54, 55
Standard Non-Hi/Lo Burner Assembly for (Glo-Bar Models ONLY)	56, 57
Hi/Lo Computerized Burner Assembly (for Glo-Bar Ignition Models ONLY)	58, 59
Direct Spark Ignition (DSI) Burner Assembly	60, 61
Electric Oven Assembly	62, 63
Electric Oven Chart	64
Sail Switch / Hi-Limit Assembly	65
Replacement Coils For a 3/8" Non-Hi/Lo Gas Valve (for Glo-Bar Ignition Models ONLY)	66
Replacement Coils For a 3/8" Hi/Lo Gas Valve (for for Glo-Bar Ignition Models ONLY)	67
3-Phase Motor, Electric Relay Panel Assembly (Furnas — 208-230 VAC Controls ONLY)	68
3-Phase Motor, Electric Relay Panel Assembly (Telemechanique — 208-230 VAC Controls ONLY)	69
ADS-15/ ADS-25 Steam Coil/ Valve Assembly (Motorized and Solenoid Valve Type Models ONLY)	70
Control / Heat Step Down Transformer (Glo-Bar and Steam High Pressure Motorized Steam Valve Models ONLY)	71
AD-15/ AD-25 Outer Top/Back Guard Assembly	72
AD-15/ AD-25 Heat Reclaimer Assembly	73
Relay Board Listing	74
Microprocessor Coin Acceptor Listing	75
Glo-Bar Burner Assembly Specifications	76
DSI Burner Assembly Specifications	77
Parts Available But Not Listed	78



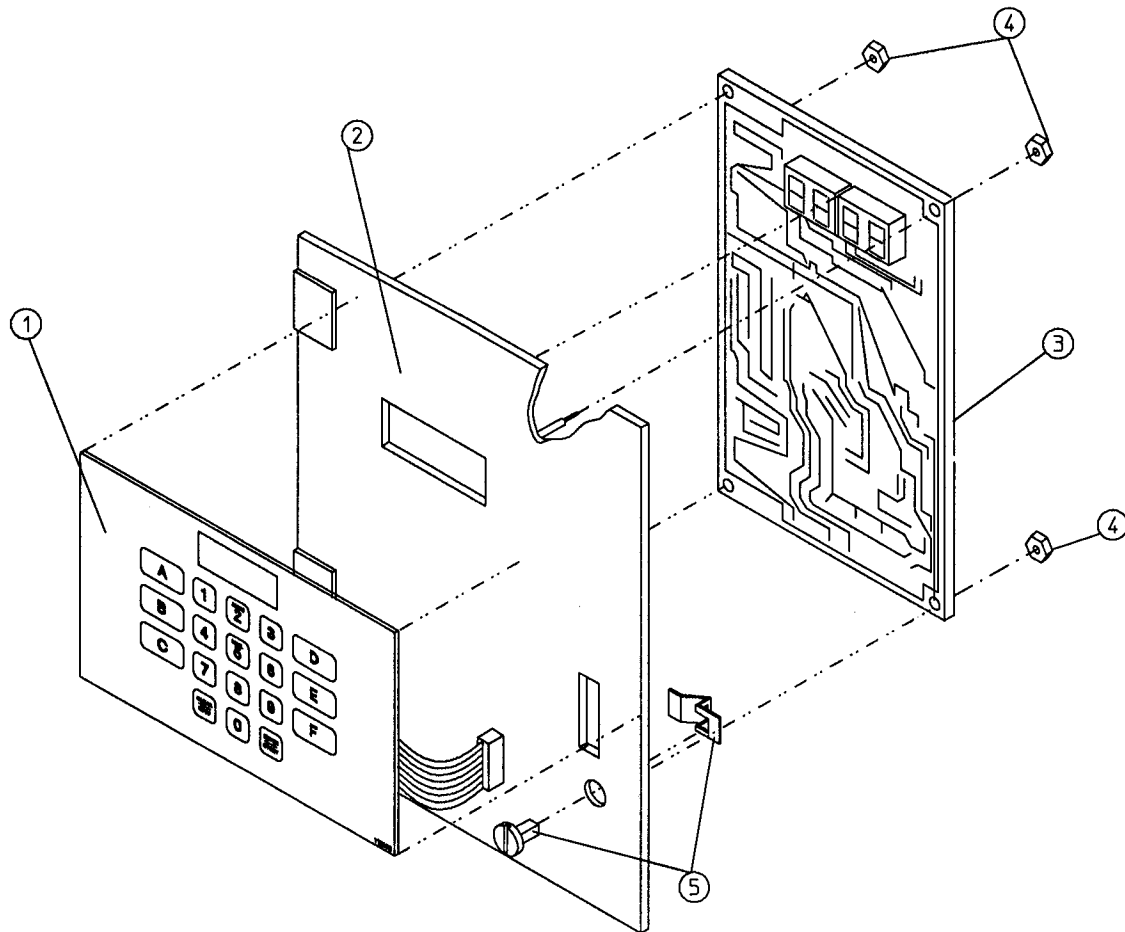
Illus. No.	Part No.	Qty.	Description
1	160015	1	High-Security MK-100 Lock Assembly with Key (for Coin Models ONLY)
	160104	1	MK-100 Key ONLY
	160017	1	Special Dummy Lock Only (for Non-Coin Models ONLY)
2	160016	1	Lock Cam ONLY
	112350	1	ADC Logo ONLY
4*	800023	1	AD-15 High-Security Control Door Assembly (includes illus. nos. 4 through 7)
	800140	1	AD-15 High Security Stainless Steel Control Door Assembly (includes illus. nos. 4 through 7)
5	180200	1	AD-15 Top Trim Strip with Lock Hole
6	102307	3	Trim Bumper Gasket (sold in feet)
7	150201	6	#10-32 x 1/4" Phillips Round Head Machine Screw
8	150415	4	#10-16 x 1/2" Phillips Round Head Crimptite Screw
9	102600	1	Control Door Support Rod Catch
10	102601	1	Control Door Rod Retainer Clip
11	102502	1	Control Door Support Rod

* Specify color when ordering.



Illus. No.	Part No.	Qty.	Description
1	160015	1	High-Security MK-100 Lock Assembly with Key (for Coin Models ONLY)
	160104	1	MK-100 Key ONLY
	160017	1	Special Dummy Lock Only (for Non-Coin Models ONLY)
2	160016	1	Lock Cam ONLY
	112350	1	ADC Logo ONLY
4*	800022	1	AD-25 High-Security Control Door Assembly (includes illus. nos. 4 through 7)
	800141	1	AD-25 High Security Stainless Steel Control Door Assembly (includes illus. nos. 4 through 7)
5	180201	1	AD-25 Top Trim Strip with Lock Hole
6	102307	3	Trim Bumper Gasket (sold in feet)
7	150201	6	#10-32 x 1/4" Phillips Round Head Machine Screw
8	150415	4	#10-16 x 1/2" Phillips Round Head Crimptite Screw
9	102600	1	Control Door Support Rod Catch
10	102601	1	Control Door Rod Retainer Clip
11	102502	1	Control Door Support Rod

* Specify color when ordering.

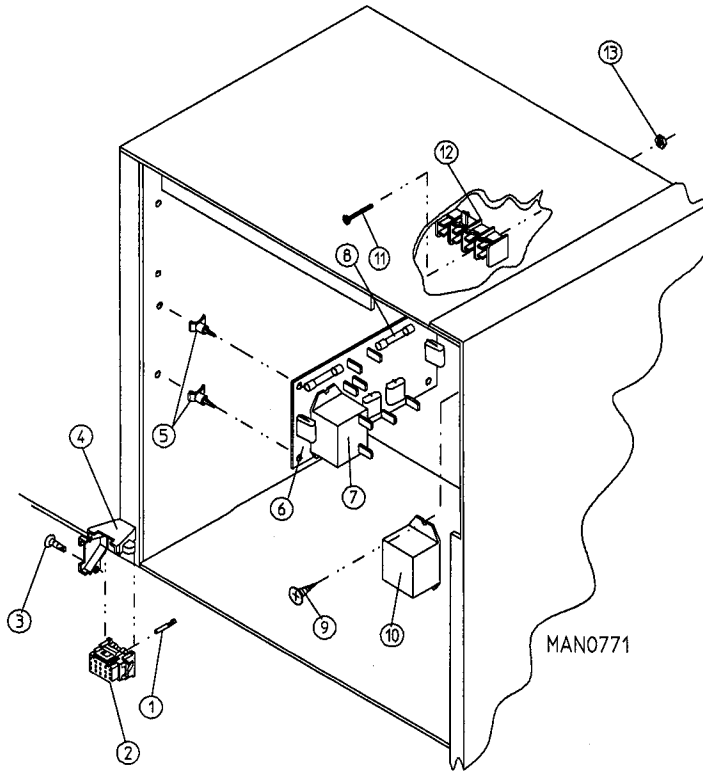


MAN0175

<u>Illus. No.</u>	<u>Part No.</u>	<u>Qty.</u>	<u>Description</u>
1	112535	1	OPL English Keyboard Label Assembly
2	800057	1	Microprocessor Control Panel ONLY
	800164	1	Microprocessor Control Panel ONLY with Battery Bracket
	800161	1	Phase 3 OPL Non-Reversing Microprocessor Control Panel Assembly Complete (includes illus. nos. 1 through 5)
	800163	1	Phase 3 OPL Non-Reversing Microprocessor Control Panel Assembly Complete with Battery Option (includes illus. nos. 1 through 5)
3	137092	1	Phase 3 OPL Non-Reversing Controller ONLY
	137093	1	Phase 3 OPL Non-Reversing Controller ONLY with Battery Clip
4	152001	4	#8-32 Hex Nut
5	160005	1	Spring Turn Latch (2-piece)

IMPORTANT: Check label on computer chip to verify correct part number for controller.

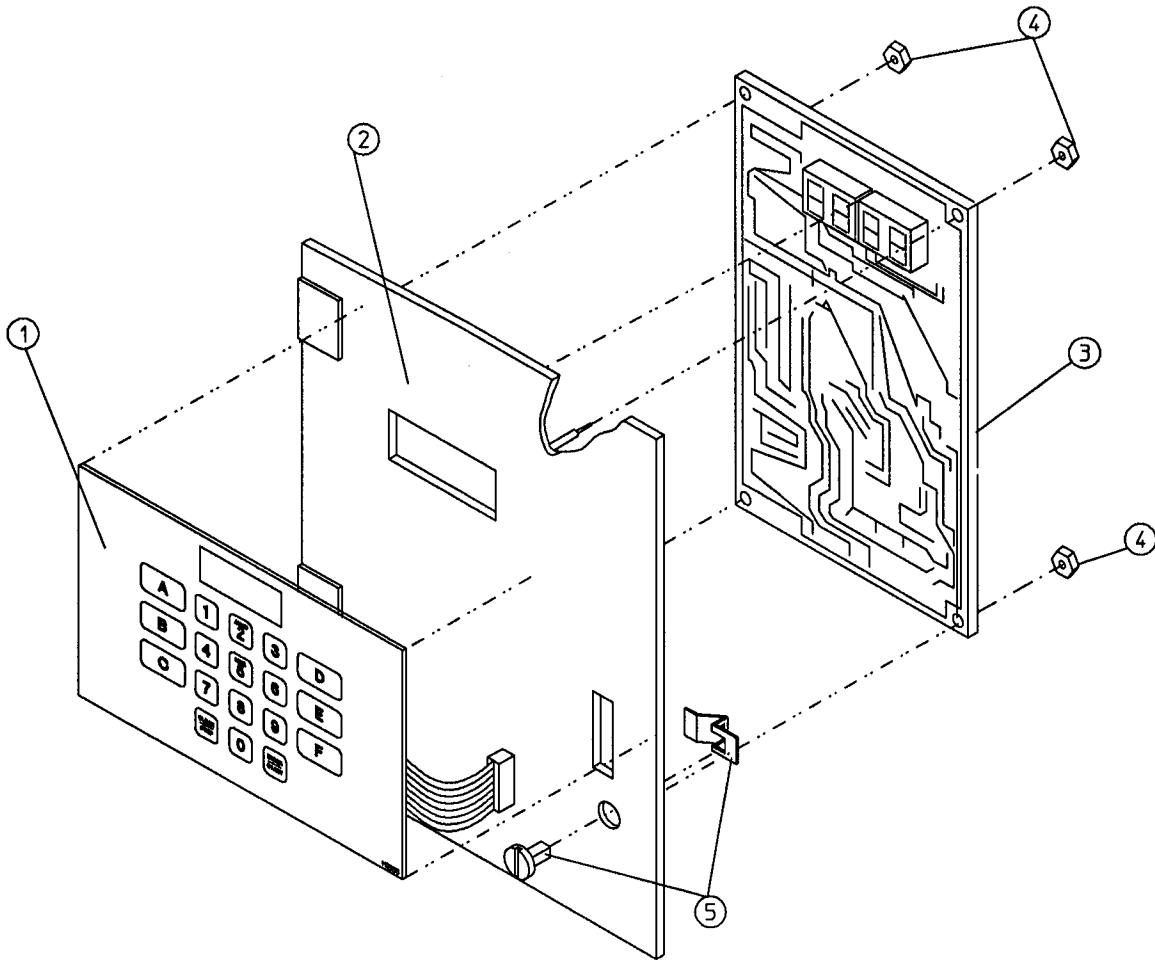
NOTE: OPL controllers listed are suitable for all voltage applications.



Illus. No.	Part No.	Qty.	Description
1	137021	13*	Microprocessor Socket ONLY
2	137020	1	15-Pin Microprocessor Connector ONLY
	122800	1	Microprocessor (female) Pin Extraction Tool
3	150315	1	#6 x 3/8" Phillips Pan Head Screw
4	137022	1	15-Pin Strain Relief ONLY
5	137013	4	Nylon Standoff
6	-----	1	Arc Suppressor Relay Board (refer to Relay Board Listing on page 74)
	137061	1	Arc Suppressor Board Only without relay
7	131916	1**	P.C.B. (electromechanical) Relay ONLY (115V)
	131930	1**	P.C.B. (electromechanical) Relay ONLY (208/230V)
8	136052	1**	4-Amp Fuse ONLY
9	150415	2	#10-16x1/2" Phillips Round Head Crimptite Screw
10	131030	1	Steam Valve Relay (high-pressure steam ONLY) 115V
	131031	1	Steam Valve Relay (high-pressure steam ONLY) 208/230V
11	150002	2	#6-32 x 1" Round Head Machine Screw
12	120709	1	Terminal Strip (8-position)
13	151000	2	#6-32 Pal Nut

* Some models require a quantity of 15.

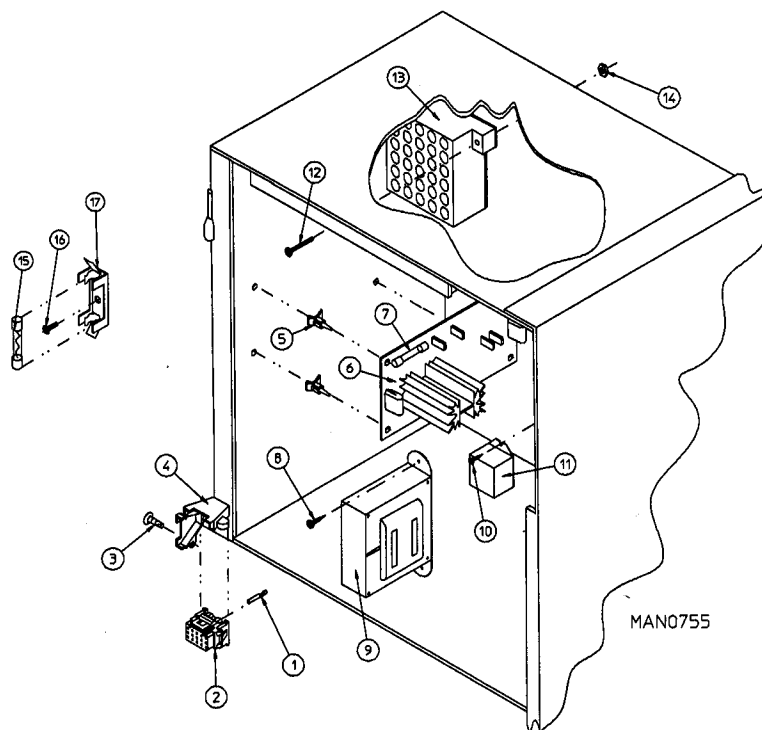
** Some models require a quantity of 2.



MAN0175

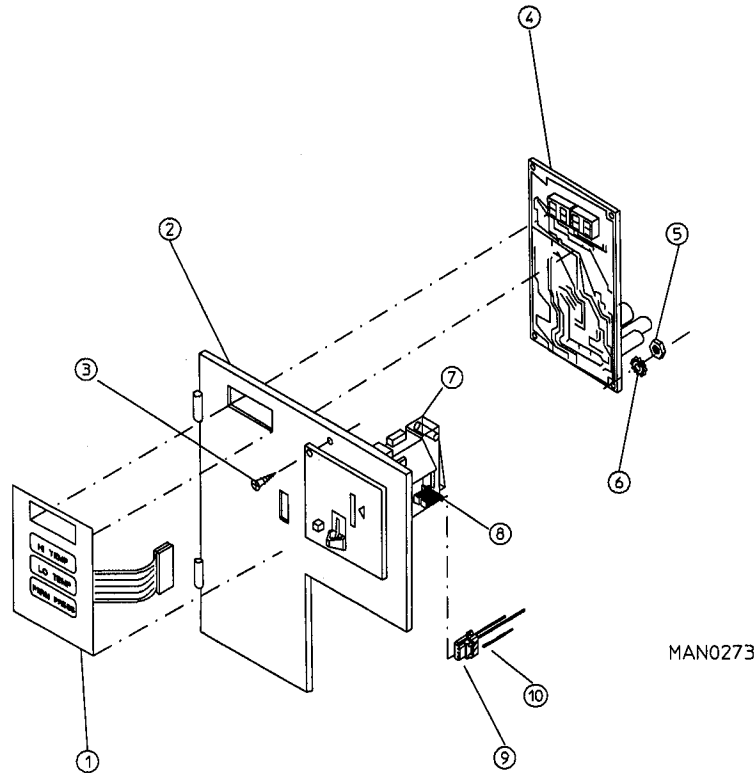
<u>Illus. No.</u>	<u>Part No.</u>	<u>Qty.</u>	<u>Description</u>
1	112535	1	OPL English Keyboard Label Assembly
2	800057	1	Microprocessor Control Panel ONLY
	800164	1	Microprocessor Control Panel ONLY with Battery Bracket
	800171	1	Phase 4 OPL Non-Reversing Microprocessor Control Panel Assembly Complete (includes illus. nos. 1 through 5)
	865095	1	Phase 4 OPL Non-Reversing Microprocessor Control Panel Assembly Complete with Battery Option (includes illus. nos. 1 through 5)
3	137125	1	Phase 4 OPL Non-Reversing Controller ONLY
	137126	1	Phase 4 OPL Non-Reversing Controller ONLY with Battery Clip
4	152001	4	#8-32 Hex Nut
5	160005	1	Spring Turn Latch (2-piece)

IMPORTANT: Check label on computer chip to verify correct part number for controller.



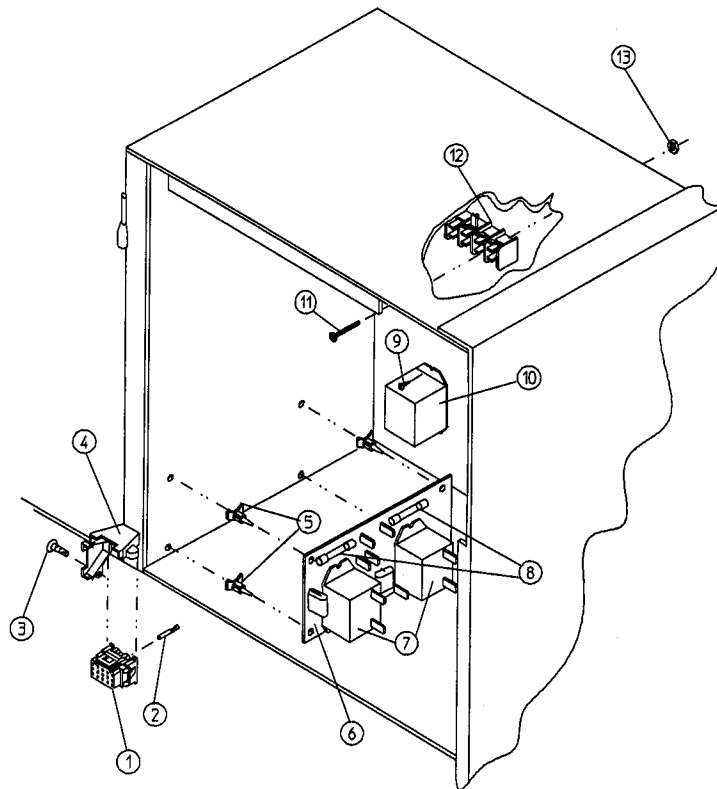
Illus. No.	Part No.	Qty.	Description
1	137021	12	Microprocessor Socket ONLY
2	137020	1	15-Pin Microprocessor Connector ONLY
	122800	1	Microprocessor (female) Pin Extraction Tool
3	150315	1	#6 x 3/8" Phillips Pan Head Screw
4	137022	1	15-Pin Strain Relief ONLY
5	137013	4	Nylon Standoff
6	-----	1	Solid State Relay Board (refer to Relay Board Listing on page 74)
7	136057	*	1/2-Amp (Slo Blo) Fuse
	136052	*	4-Amp Fuse
8	150300	2	#10 x 1/2" Hex Washer TEK Screw
9	141403	1	DSI 24 VAC Transformer (for Gas Models with Direct Spark Ignition ONLY)
10	150415	2	#10-16 x 1/2" Phillips Round Head Crimptite Screw
11	131030	1	Steam Valve Relay (for High-Pressure Steam) 115v ONLY
	131031	1	Steam Valve Relay (for High-Pressure Steam) 208/230v ONLY
12	150002	2	#6-32 x 1" Round Head Machine Screw
13	120715	1	30-Position Terminal Block ONLY
14	151000	2	#6-32 Pal Nut
15	136057	*	1/2-Amp (Slo Blo) Fuse
16	150301	*	#8-18 x 7/16" Phillips Pan Head TEK Screw
17	136008	*	Fuse Block/Strip ONLY
---	137061	1	Arc Suppressor Board Only without Relay
---	131916	1	P.C.B. (electromechanical) Relay ONLY (115v)
---	131930	1	P.C.B. (electromechanical) Relay ONLY (208/230v)

* As required.



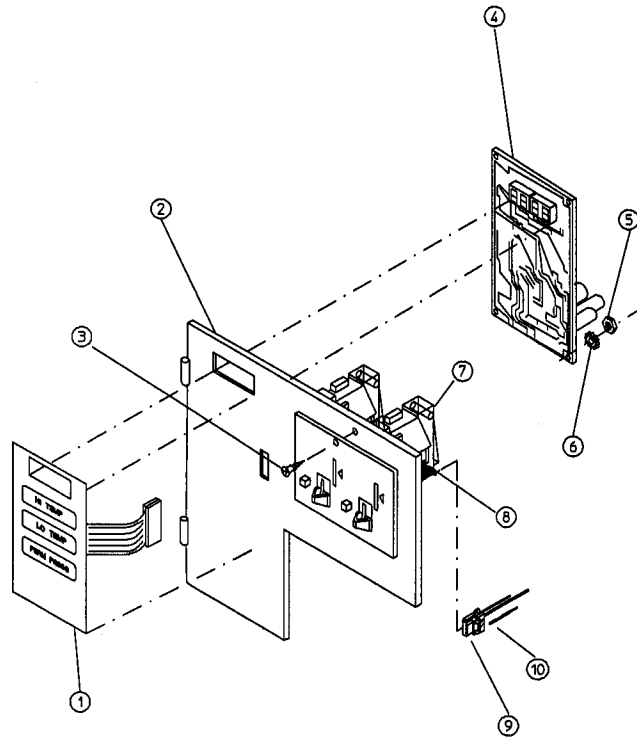
<u>Illus. No.</u>	<u>Part No.</u>	<u>Qty.</u>	<u>Description</u>
1	112526	1	Coin Keyboard Label Assembly
2	800088	1	Phase 4 Coin Control Panel Assembly (includes illus. nos. 1, 2, 4, 5, and 6)
	800168	1	Phase 4 Coin Control Panel Assembly with Battery Option (includes illus. nos. 1, 2, 4, 5, and 6)
	800040	1	Coin Control Panel ONLY
	800039	1	Coin Control Panel ONLY with Battery Bracket
3	150415	1	#10-16x1/2" Phillips Round Head Crimptite Screw
4	137110	1	Phase 4 Coin Controller ONLY
	137115	1	Phase 4 Coin Controller ONLY with Battery Clip
5	152001	4	#8-32 Hex Nut
6	153012	4	#8 Star Washer
7	-----	1	Microprocessor Single Coin Acceptor with Optical Switch (refer to Microprocessor Coin Acceptor Listing on page 75)
8	137056	1	Optic Switch ONLY
9	137023	1	Optic Switch Connector ONLY
10	137021	3	Microprocessor Socket ONLY
---	865050	1	Single Coin Optical Switch Harness
---	122800	1	Microprocessor (female) Pin Extraction Tool

IMPORTANT: Check label on computer chip to verify correct part number of controller.



Illus. No.	Part No.	Qty.	Description
1	137020	1	15-Pin Microprocessor Connector ONLY
2	137021	14	Microprocessor Socket ONLY
	122800	1	Microprocessor (female) Pin Extraction Tool
3	150315	1	#6 x 3/8" Phillips Pan Head Screw
4	137022	1	15-Pin Strain Relief ONLY
5	137013	4	Nylon Standoff
6	-----	1	Arc Suppressor Relay Board (refer to Arc Suppressor Relay Board Listing on page 74)
	137061	1	Arc Suppressor Board Only (without relays)
7	131916	*	P.C.B. (electromechanical) Relay ONLY 115v
	131930	*	P.C.B. (electromechanical) Relay ONLY 208/230v
8	136052	*	4-Amp Fuse ONLY
9	150415	2	#10-16 x 1/2" Phillips Round Head Crimpite Screw
10	131030	1	Steam Valve Relay (for High Pressure Steam ONLY) 115v
	131031	1	Steam Valve Relay (for High Pressure Steam ONLY) 208/230v
11	150002	2	#6-32 x 1" Round Head Machine Screw
12	120709	1	8-Position Terminal Strip
13	151000	2	#6-32 Pal Nut

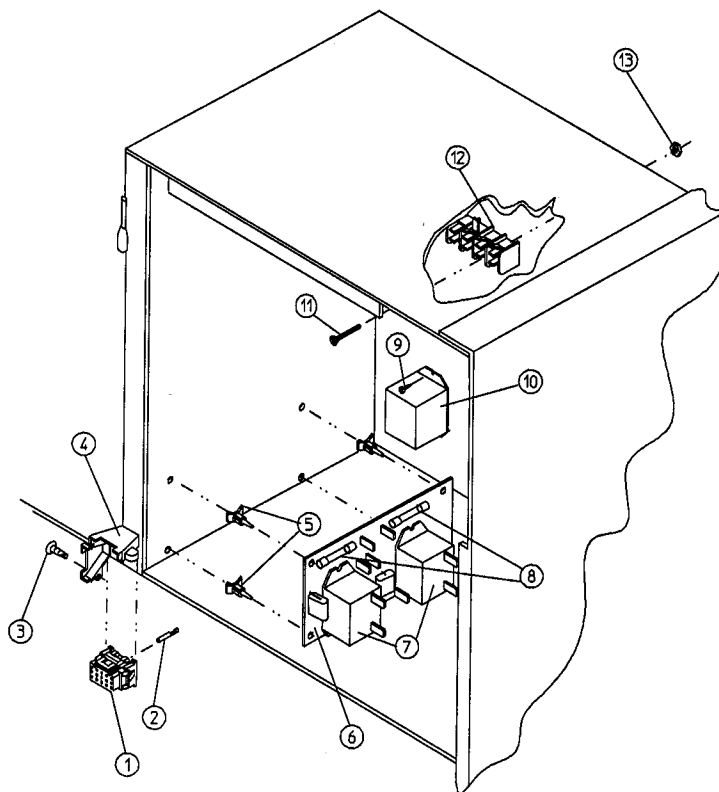
* Quantity is either 1 or 2.



MAN0276

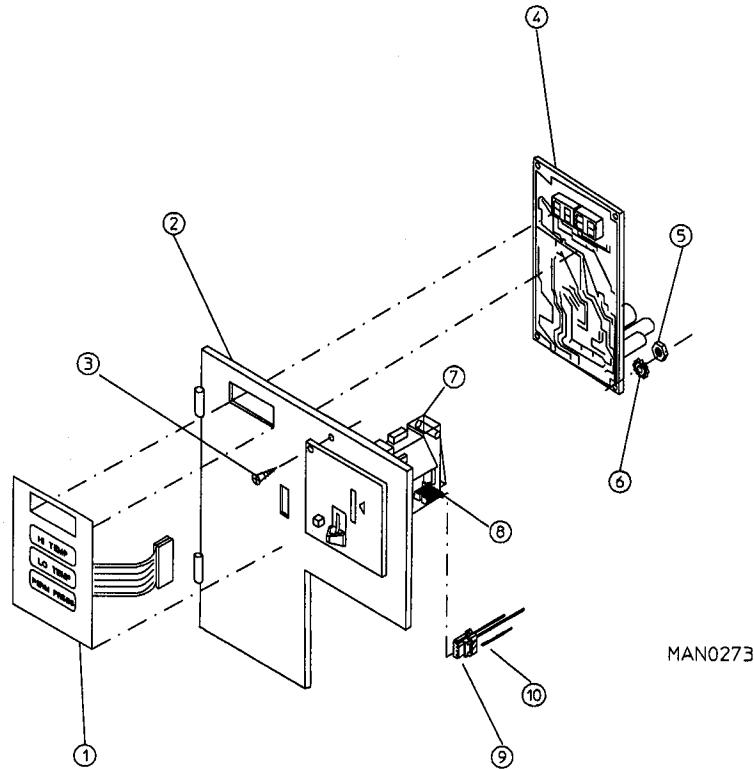
Illus. No.	Part No.	Qty.	Description
1	112526	1	Coin Keyboard Label Assembly
2	800088	1	Phase 4 Coin Control Panel Assembly (includes illus. nos. 1, 2, 4, 5, and 6)
	800168	1	Phase 4 Coin Control Panel Assembly with Battery Option (includes illus. nos. 1, 2, 4, 5, and 6)
	800040	1	Coin Control Panel ONLY
	800039	1	Coin Control Panel ONLY with Battery Bracket
3	150415	1	#10-16x1/2" Phillips Round Head Crimptite Screw
4	137110	1	Phase 4 Coin Controller ONLY
	137115	1	Phase 4 Coin Controller ONLY with Battery Clip
5	152001	4	#8-32 Hex Nut
6	153012	4	#8 Star Washer
7	-----	1	Microprocessor Dual Coin Acceptor with Optical Switch (refer to Microprocessor Coin Acceptor Listing on page 75)
8	137056	2	Optic Switch ONLY
9	137023	2	Optic Switch Connector ONLY
10	137021	6	Microprocessor Socket ONLY
---	865051	1	Dual Coin Optical Switch Harness
---	122800	1	Microprocessor (female) Pin Extraction Tool

IMPORTANT: Check label on computer chip to verify correct part number of controller.



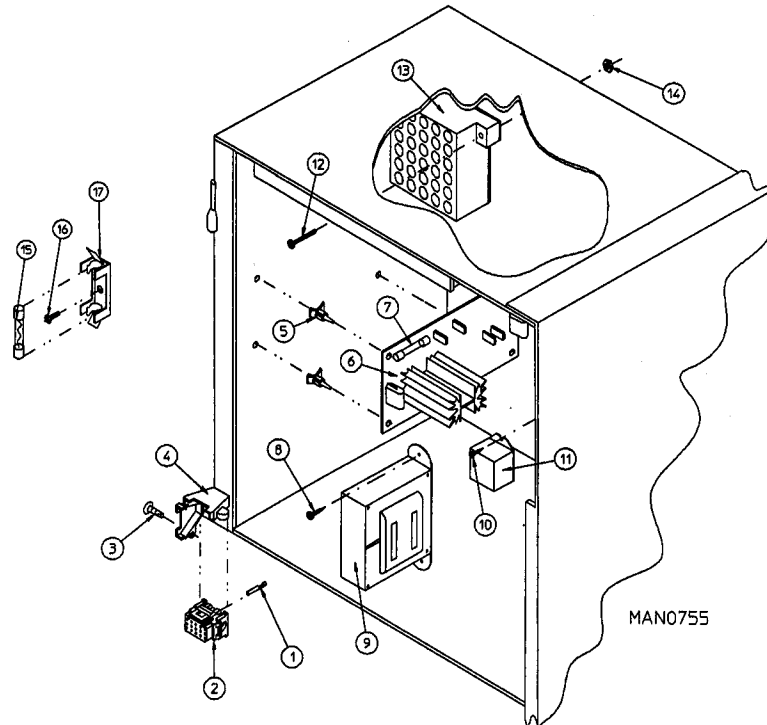
Illus. No.	Part No.	Qty.	Description
1	137020	1	15-Pin Microprocessor Connector ONLY
2	137021	14	Microprocessor Socket ONLY
	122800	1	Microprocessor (female) Pin Extraction Tool
3	150315	1	#6 x 3/8" Phillips Pan Head Screw
4	137022	1	15-Pin Strain Relief ONLY
5	137013	4	Nylon Standoff
6	-----	1	Arc Suppressor Relay Board (refer to Arc Suppressor Relay Board Listing on page 74)
	137061	1	Arc Suppressor Board Only (without relays)
7	131916	*	P.C.B. (electromechanical) Relay ONLY 115v
	131930	*	P.C.B. (electromechanical) Relay ONLY 208/230v
8	136052	*	4-Amp Fuse ONLY
9	150415	2	#10-16 x 1/2" Phillips Round Head Crimptite Screw
10	131030	1	Steam Valve Relay (for High Pressure Steam ONLY) 115v
	131031	1	Steam Valve Relay (for High Pressure Steam ONLY) 208/230v
11	150002	2	#6-32 x 1" Round Head Machine Screw
12	120709	1	8-Position Terminal Strip
13	151000	2	#6-32 Pal Nut

* Quantity is either 1 or 2.



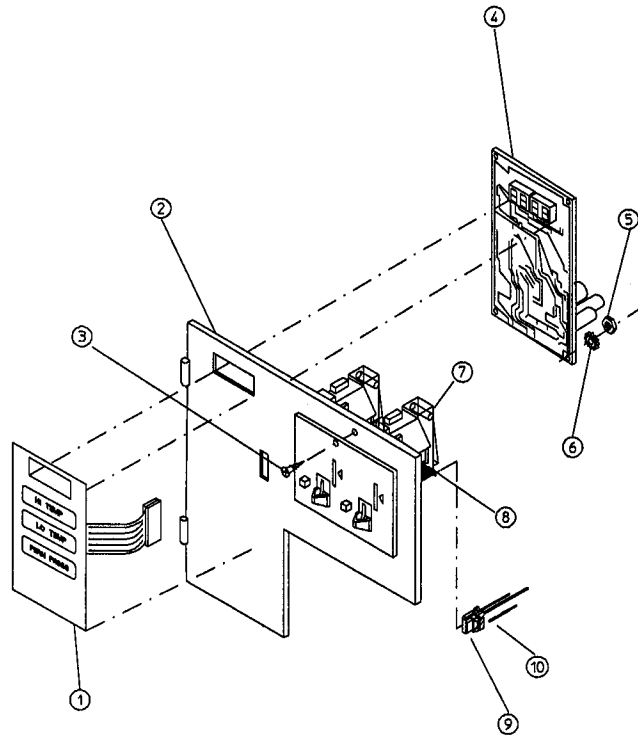
Illus. No.	Part No.	Qty.	Description
1	112526	1	Coin Keyboard Label Assembly
2	865098	1	Phase 4.1 Coin Control Panel Assembly (includes illus. nos. 1, 2, 4, 5, and 6)
	865099	1	Phase 4.1 Coin Control Panel Assembly with Battery Option (includes illus. nos. 1, 2, 4, 5, and 6)
	800040	1	Coin Control Panel ONLY
	800039	1	Coin Control Panel ONLY with Battery Bracket
3	150415	1	#10-16x1/2" Phillips Round Head Crimptite Screw
4	137130	1	Phase 4.1 Coin Controller ONLY
	137131	1	Phase 4.1 Coin Controller ONLY with Battery Clip
5	152001	4	#8-32 Hex Nut
6	153012	4	#8 Star Washer
7	-----	1	Microprocessor Single Coin Acceptor with Optical Switch (refer to Microprocessor Coin Acceptor Listing on page 75)
8	137056	1	Optic Switch ONLY
9	137023	1	Optic Switch Connector ONLY
10	137021	3	Microprocessor Socket ONLY
---	865050	1	Single Coin Optical Switch Harness
---	122800	1	Microprocessor (female) Pin Extraction Tool

IMPORTANT: Check label on computer chip to verify correct part number of controller.



Illus. No.	Part No.	Qty.	Description
1	137021	12	Microprocessor Socket ONLY
2	137020	1	15-Pin Microprocessor Connector ONLY
	122800	1	Microprocessor (female) Pin Extraction Tool
3	150315	1	#6 x 3/8" Phillips Pan Head Screw
4	137022	1	15-Pin Strain Relief ONLY
5	137013	4	Nylon Standoff
6	-----	1	Solid State Relay Board (refer to Relay Board Listing on page 74)
7	136057	*	1/2-Amp (Slo Blo) Fuse
	136052	*	4-Amp Fuse
8	150300	2	#10 x 1/2" Hex Washer TEK Screw
9	141403	1	DSI 24 VAC Transformer (for Gas Models with Direct Spark Ignition ONLY)
10	150415	2	#10-16 x 1/2" Phillips Round Head CrimpTite Screw
11	131030	1	Steam Valve Relay (for High-Pressure Steam) 115v ONLY
	131031	1	Steam Valve Relay (for High-Pressure Steam) 208/230v ONLY
12	150002	2	#6-32 x 1" Round Head Machine Screw
13	120715	1	30-Position Terminal Block ONLY
14	151000	2	#6-32 Pal Nut
15	136057	*	1/2-Amp (Slo Blo) Fuse
16	150301	*	#8-18 x 7/16" Phillips Pan Head TEK Screw
17	136008	*	Fuse Block/Strip ONLY
---	137061	1	Arc Suppressor Board Only without Relay
---	131916	1	P.C.B. (electromechanical) Relay ONLY (115v)
---	131930	1	P.C.B. (electromechanical) Relay ONLY (208/230v)

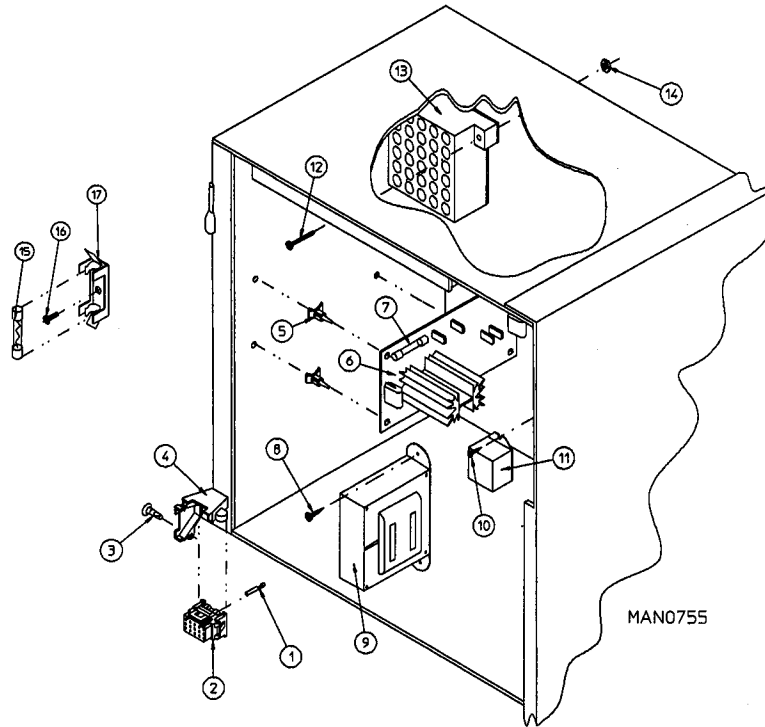
* As required.



MAN0276

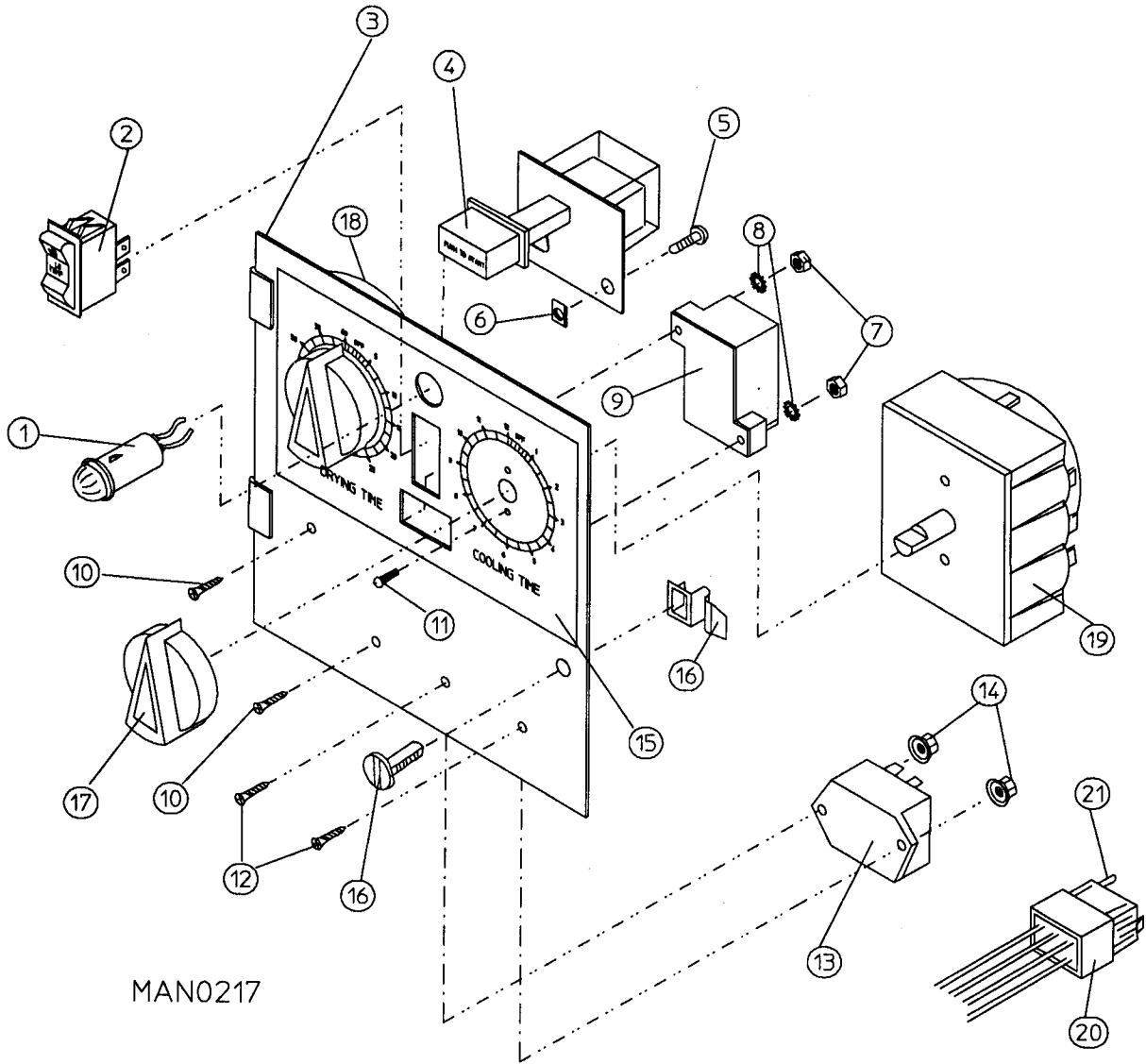
Illus. No.	Part No.	Qty.	Description
1	112526	1	Coin Keyboard Label Assembly
2	865098	1	Phase 4.1 Coin Control Panel Assembly (includes illus. nos. 1, 2, 4, 5, and 6)
	865099	1	Phase 4.1 Coin Control Panel Assembly with Battery Option (includes illus. nos. 1, 2, 4, 5, and 6)
	800040	1	Coin Control Panel ONLY
	800039	1	Coin Control Panel ONLY with Battery Bracket
3	150415	1	#10-16x1/2" Phillips Round Head Crimptite Screw
4	137130	1	Phase 4.1 Coin Controller ONLY
	137131	1	Phase 4.1 Coin Controller ONLY with Battery Clip
5	152001	4	#8-32 Hex Nut
6	153012	4	#8 Star Washer
7	-----	1	Microprocessor Dual Coin Acceptor with Optical Switch (refer to Microprocessor Coin Acceptor Listing on page 75)
8	137056	2	Optic Switch ONLY
9	137023	2	Optic Switch Connector ONLY
10	137021	6	Microprocessor Socket ONLY
---	865051	1	Dual Coin Optical Switch Harness
---	122800	1	Microprocessor (female) Pin Extraction Tool

IMPORTANT: Check label on computer chip to verify correct part number of controller.

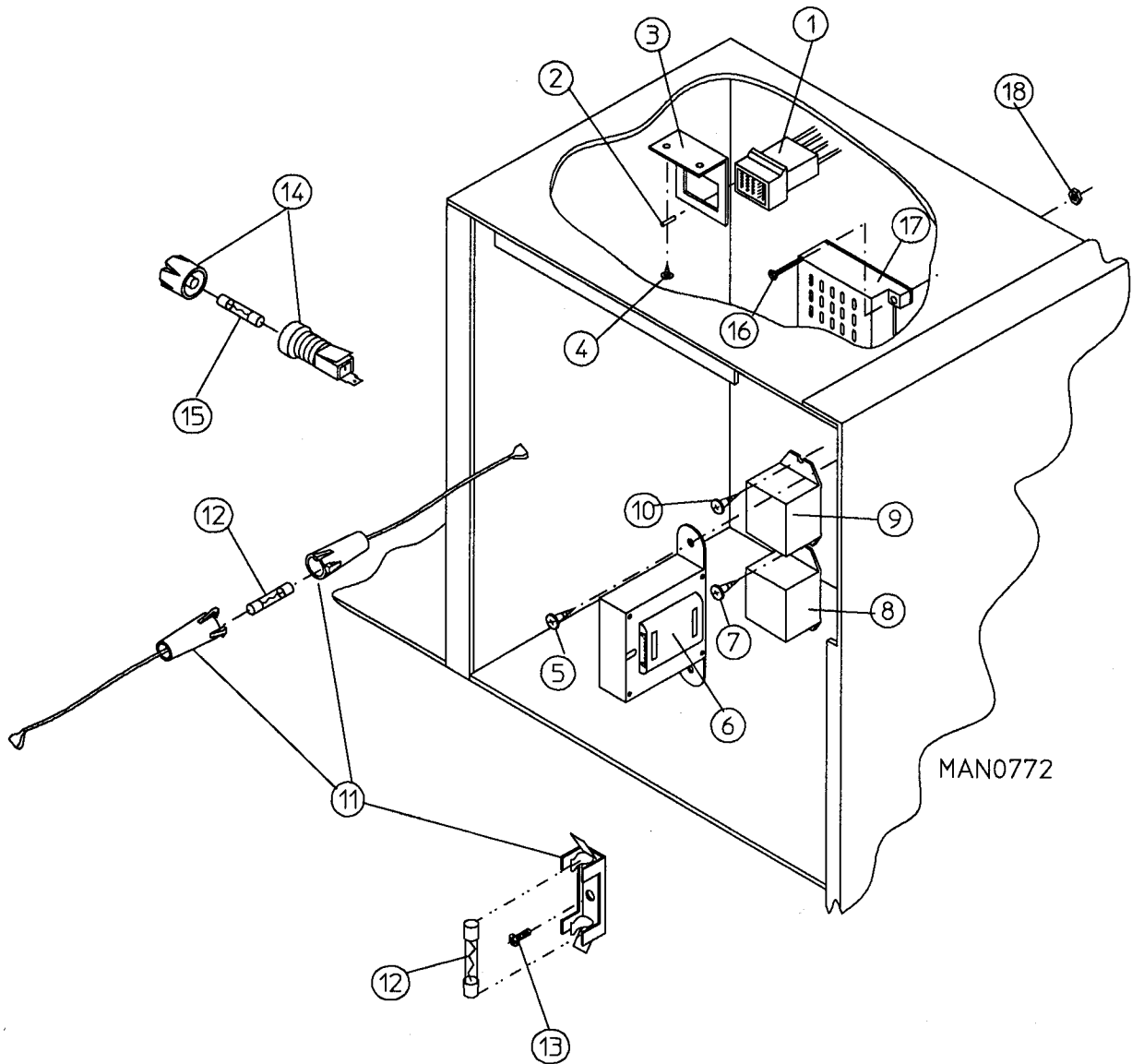


Illus. No.	Part No.	Qty.	Description
1	137021	12	Microprocessor Socket ONLY
2	137020	1	15-Pin Microprocessor Connector ONLY
	122800	1	Microprocessor (female) Pin Extraction Tool
3	150315	1	#6 x 3/8" Phillips Pan Head Screw
4	137022	1	15-Pin Strain Relief ONLY
5	137013	4	Nylon Standoff
6	-----	1	Solid State Relay Board (refer to Relay Board Listing on page 74)
7	136057	*	1/2-Amp (Slo Blo) Fuse
	136052	*	4-Amp Fuse
8	150300	2	#10 x 1/2" Hex Washer TEK Screw
9	141403	1	DSI 24 VAC Transformer (for Gas Models with Direct Spark Ignition ONLY)
10	150415	2	#10-16 x 1/2" Phillips Round Head Crimptite Screw
11	131030	1	Steam Valve Relay (for High-Pressure Steam) 115v ONLY
	131031	1	Steam Valve Relay (for High-Pressure Steam) 208/230v ONLY
12	150002	2	#6-32 x 1" Round Head Machine Screw
13	120715	1	30-Position Terminal Block ONLY
14	151000	2	#6-32 Pal Nut
15	136057	*	1/2-Amp (Slo Blo) Fuse
16	150301	*	#8-18 x 7/16" Phillips Pan Head TEK Screw
17	136008	*	Fuse Block/Strip ONLY
---	137061	1	Arc Suppressor Board Only without Relay
---	131916	1	P.C.B. (electromechanical) Relay ONLY (115v)
---	131930	1	P.C.B. (electromechanical) Relay ONLY (208/230v)

* As required.

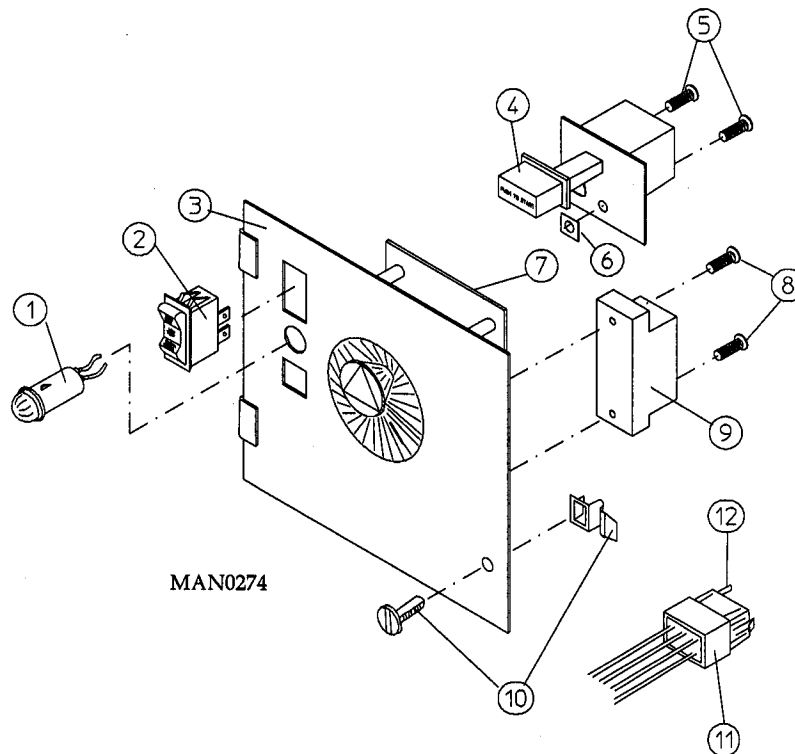


<u>Illus. No.</u>	<u>Part No.</u>	<u>Qty.</u>	<u>Description</u>
1	123000	1	Red Indicator Light 115v
	123001	1	Red Indicator Light 230v
2	122400	1	Rocker Heat Selector Switch
3	865550	1	Dual Timer Control Panel Assembly Complete 115v (includes illus. nos. 1 through 21)
	865551	1	Dual Timer Control Panel Assembly Complete 230v (includes illus. nos. 1 through 21)
	800051	1	Dual Timer Control Panel ONLY
4	131812	1	Push-to-Start Relay 115v
	131813	1	Push-to-Start Relay 230v
5	150207	2	#10-24 x 1/2" Round Head Machine Screw
6	154001	2	#10-24 Speed Nut
7	152013	2	#6-32 Hex Nut
8	153010	2	#6 Star Washer
9	120713	1	18-Position Terminal Block (for models mfd. as of May 3, 1989)
	120708	1	3-Position Terminal Strip (for models mfd. prior to May 3, 1989)
10	150002	2	#6-32 x 1" Round Head Machine Screw
11	150110	4	#8-32 x 1/4" Phillips Machine Screw
12	150001	2	#6-32 x 1/2" Round Head Machine Screw
13	131030	1	Dual Timer Relay 115v
	131031	1	Dual Timer Relay 230v
14	151000	2	#6-32 Pal Nut
15	112050	1	Dual Timer Label ONLY
16	160005	1	2-Piece Spring Turn Latch
17	124103	2	Arrow Timer Knob
18	124020	1	60-Minute Timer 115v
	124021	1	60-Minute Timer 230v
19	124022	1	15-Minute Timer 115v
	124023	1	15-Minute Timer 230v
20	122602	1	9-Pin Connector ONLY
21	122700	9	Pin Terminal ONLY
---	122801	1	Pin/Socket Extraction Tool



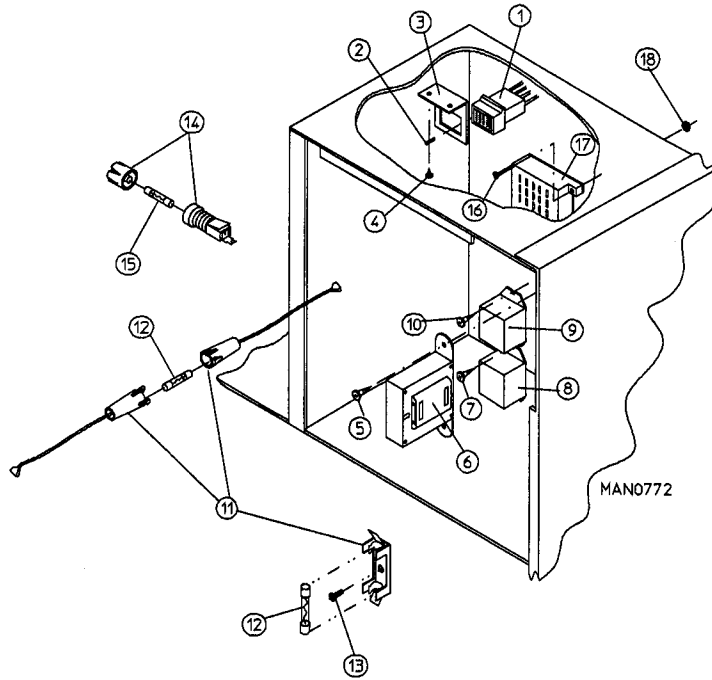
<u>Illus. No.</u>	<u>Part No.</u>	<u>Qty.</u>	<u>Description</u>
1	122603	1	9-Pin Socket Connector
2	122701	9	Socket Terminal ONLY
	122801	1	Pin/Socket Extraction Tool
3	315010	1	9-Pin Connector Bracket
4	150300	2	#10 x 1/2" Hex Washer TEK Screw
5	150300	2	#10 x 1/2" Hex Washer TEK Screw
6	141403	1	DSI 24 VAC Transformer (for Gas Models and Steam Damper Models ONLY)
7	150415	2	#10-16 x 1/2" Phillips Round Head Crimptite Screw
8	131030	1	Steam valve Relay 115v (for High Pressure and Steam Damper Models ONLY) 115v
	131031	1	Steam Valve Relay 230v (for High Pressure and Steam Damper Models ONLY)
9	131814	1	Motor Control Relay ONLY (115 volt controls only)
10	150415	2	#10-16 x 1/2" Phillips Round Head Crimptite Screw
11	136008	*	Fuse Block/ Strip ONLY
	875250	*	In-Line Fuse Holder Assembly ONLY
12	136057	*	1/2-Amp (Slo Blo) Fuse
	136052	*	4-Amp Fuse ONLY
	136054	*	15-Amp (Slo Blo) Fuse ONLY
	136056	*	20-Amp (Slo Blo) Fuse ONLY
13	150301	*	#8-18 x 7/16" Phillips Pan Head TEK Screw
14	136002	*	Panel Mount Fuse Holder Assembly
15	136052	*	4-Amp Fuse ONLY
	136054	*	15-Amp (Slo Blo) Fuse ONLY
	136056	*	20-Amp (Slo Blo) Fuse ONLY
16	150002	2	#6-32 x 1" Slotted Round Head Machine Screw
17	120715	1	30-Position Terminal Block
	120709	1	8-Position Terminal Strip
18	151000	2	#6-32 Pal Nut

* As Required; Check fusing on dryer for verification.



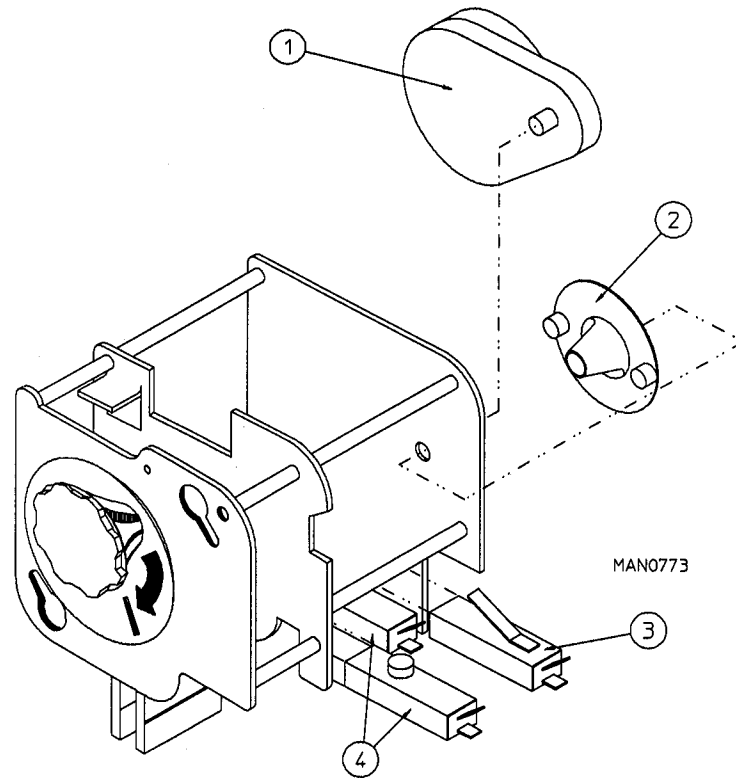
Illus. No.	Part No.	Qty.	Description
1	123000	1	Red Indicator Light 115v
	123001	1	Red Indicator Light 230v
2	122400	1	Rocker Heat Selector Switch
3	800070	1	Coin Meter Control Panel Assembly Complete 115v (includes illus. nos. 1 through 6 and 8 through 12)
	800071	1	Coin Meter Control Panel Assembly Complete 230v (includes illus. nos. 1 through 6 and 8 through 12)
	800054	1	Coin Meter Control Panel ONLY (for 12-Position Terminal Block Only)
	800052	1	Coin Meter Control Panel ONLY (for 2-Position Terminal Strip Only)
4	131812	1	Push-to-Start Relay 115v
	131813	1	Push-to-Start Relay 230v
5	150207	2	#10-24 x 1/2" Round Head Machine Screw
6	154001	2	#10-24 Speed Nut
7*	125000	1	25¢ Coin Meter 115v (specify timing)
	125003	1	25¢ Coin Meter 230v (specify timing)
8	150303	2	#4 x 3/4" Pan Head "A" Screw
9	120712	1	12-Position Terminal Block (for models mfd. as of May 15, 1989)
	120707	1	2-Position Terminal Block (for models mfd. prior to May 15, 1989)
10	160005	1	2-Piece Spring Turn Latch
11	122602	1	9-Pin Connector ONLY
12	122700	9	Pin Terminal ONLY
	122801	1	Pin/Socket Extraction Tool

* Consult factory for coin meters not listed.

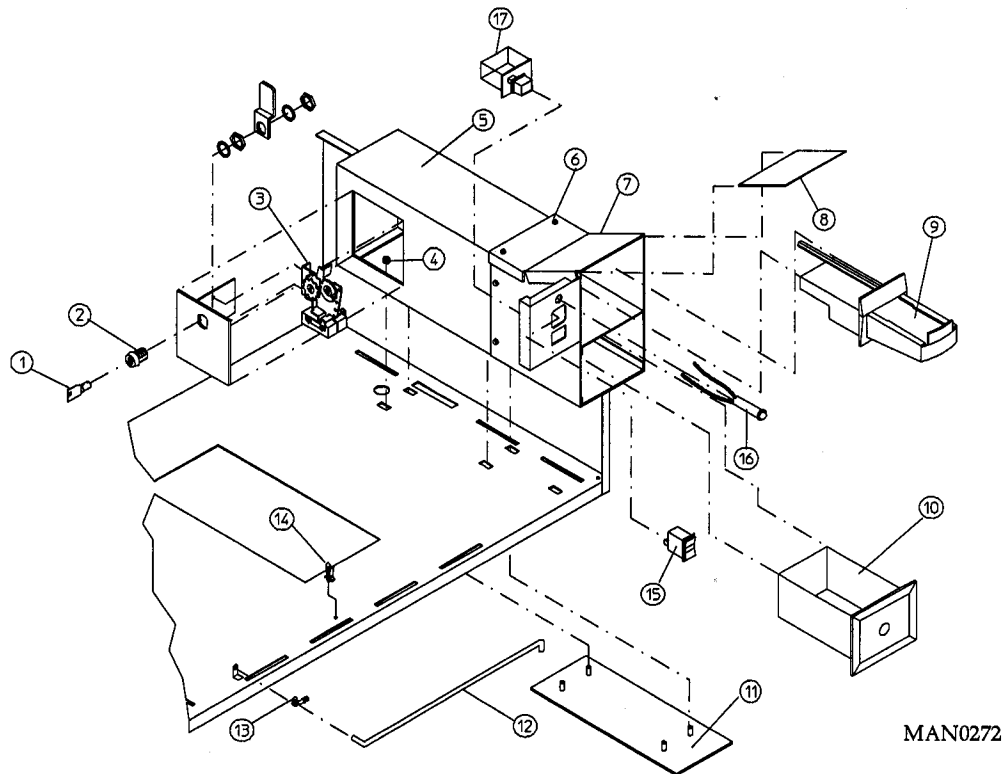


<u>Illus. No.</u>	<u>Part No.</u>	<u>Qty.</u>	<u>Description</u>
1	122603	1	9-Pin Socket Connector
2	122701	9	Socket Terminal ONLY
	122801	1	Pin/Socket Extraction Tool
3	315010	1	9-Pin Connector Bracket
4	150300	2	#10 x 1/2" Hex Washer TEK Screw
5	150300	2	#10 x 1/2" Hex Washer TEK Screw
6	141403	1	DSI 24 VAC Transformer (for Gas Models and Steam Damper Models ONLY)
7	150415	2	#10-16 x 1/2" Phillips Round Head Crimptite Screw
8	131030	1	Steam Valve Relay 115v (for High Pressure and Steam Damper Models ONLY)
	131031	1	Steam Valve Relay 230v (for High Pressure and Steam Damper Models ONLY)
9	131814	1	Motor Control Relay Only (115v controls only)
10	150415	2	#10-16 x 1/2" Phillips Round Head Crimptite Screw
11	136008	*	Fuse Block/Strip ONLY
	875250	*	In-Line Fuse Holder Assembly ONLY
12	136057	*	1/2-Amp (Slo Blo) Fuse ONLY
	136052	*	4-Amp Fuse ONLY
	136054	*	15-Amp (Slo Blo) Fuse ONLY
	136056	*	20-Amp (Slo Blo) Fuse ONLY
13	150301	*	#8-18 x 7/16" Phillips Pan Head TEK Screw
14	136002	*	Panel Mount Fuse Holder Assembly
15	136052	*	4-Amp Fuse ONLY
	136054	*	15-Amp (Slo Blo) Fuse ONLY
	136056	*	20-Amp (Slo Blo) Fuse ONLY
16	150002	2	#6-32 x 1" Slotted Round Head Machine Screw
17	120715	1	30-Position Terminal Block
	120709	1	8-Position Terminal Block
18	151000	2	#6-32 Pal Nut

* As Required; Check fusing on dryer for verification.



<u>Illus. No.</u>	<u>Part No.</u>	<u>Qty.</u>	<u>Description</u>
1	125511	1	1/60 RPM 115v/60 Hz Meter Motor
	125532	1	1/60 RPM 230v/60 Hz Meter Motor
	125512	1	1/60 RPM 240v/50 Hz Meter Motor
	125513	1	1/30 RPM 240v/50 Hz Meter Motor
2	125500	1	2-Point Cam
	125501	1	3-Point Cam
	125502	1	4-Point Cam
	125503	1	5-Point Cam
	125504	1	6-Point Cam
	125506	1	8-Point Cam
	125507	1	9-Point Cam
	125508	1	10-Point Cam
	125510	1	12-Point Cam
	3	125515	1
4	125516	2	Meter Switch "A" or "C"



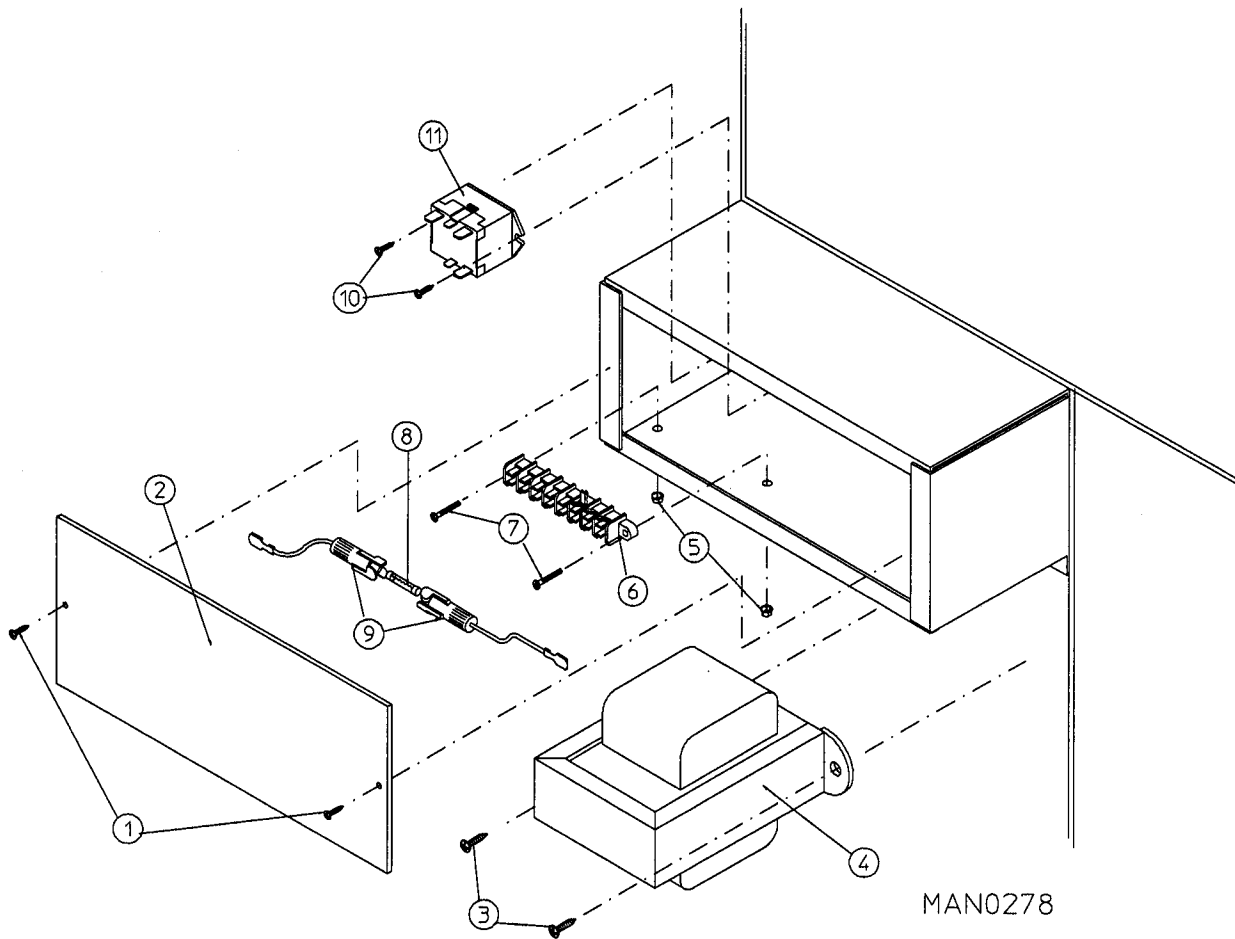
MAN0272

Illus. No.	Part No.	Qty.	Description
1	160100*	1	Key ONLY (for Slide Meter Case Assembly)
2	125901	1	Lock ONLY (for Slide Meter Case Assembly)
3	125906	1	Slide Meter Accumulator (115 VAC)
4	152014	4	1/4-20 Free Spin Wash Nut
5	125900	1	Slide Meter Case ONLY with Door Less Lock
6	154203	6	1/4" Drive Rivet
7	801700	1	Slide Meter Extension ONLY with Mirror (includes illus. nos. 7 and 8)
8	315404	1	Stainless Steel Mirror ONLY
9	-----	1	Typical Slide Meter Coin Chute (<i>not available from ADC</i>)
10	-----	1	Typical Slide Meter Coin Box (<i>not available from ADC</i>)
11	801701	1	Slide Meter Case Mounting Plate
12	102502	1	Control Door Support Rod
13	102601	1	Control Door Rod Retainer Clip
14	102600	1	Control Door Support Rod Catch
15	122400	1	Rocker Heat Selector Switch
16	123000	1	Red Indicator Light (115 VAC)
17	131812	1	Push-to-Start Relay (115 VAC)

* Specify key number when ordering.

IMPORTANT: Parts listed are for 115VAC controls only...for other voltages, contact factory.

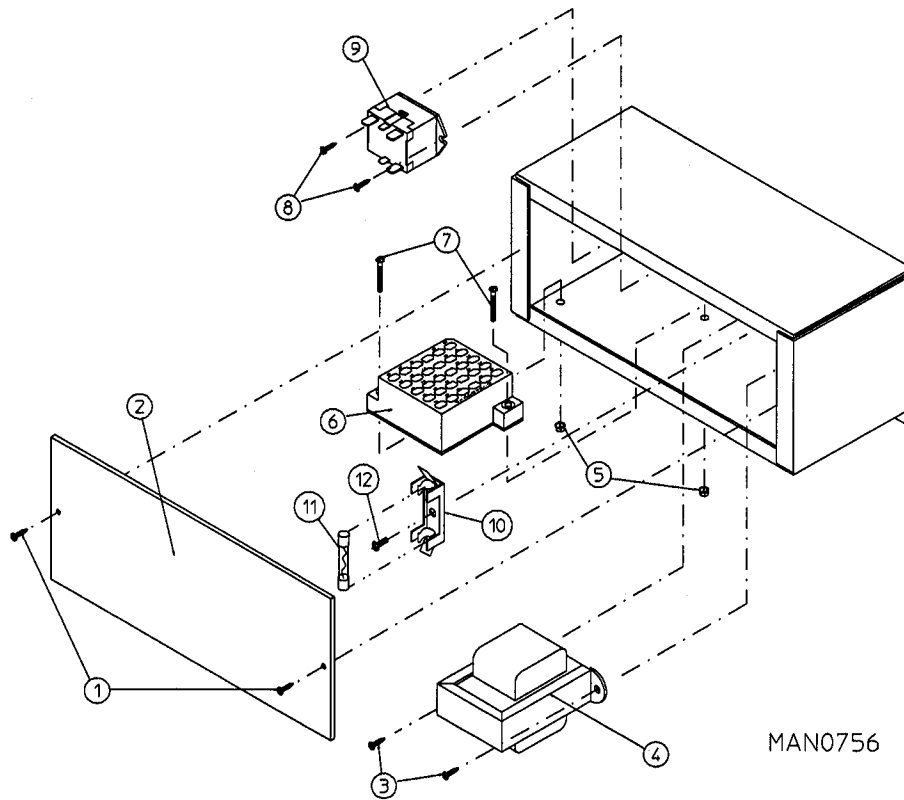
for Glo-Bar Ignition Models ONLY



Illus. No.	Part No.	Qty.	Description
1	150300	2	#10 x 1/2" Hex Washer TEK Screw
2	311913	1	Service Box Cover Plate
3	150415	2	#10-16 x 1/2" Phillips Round Head Crimptite Screw
4	132002	1	200 Watt Transformer 115v (terminals not included)
5	151000	2	#6-32 Pal Nut
6	120709	1	8-Position Terminal Strip
7	150002	2	#6-32 x 1" Round Head Machine Screw
8	136052	1	4-Amp Fuse ONLY
9	875250	1	In-Line Fuse Holder Assembly ONLY
10	150415	2	#10-16 x 1/2" Phillips Round Head Crimptite Screw
11	131814	1	Motor Control Relay ONLY 115v

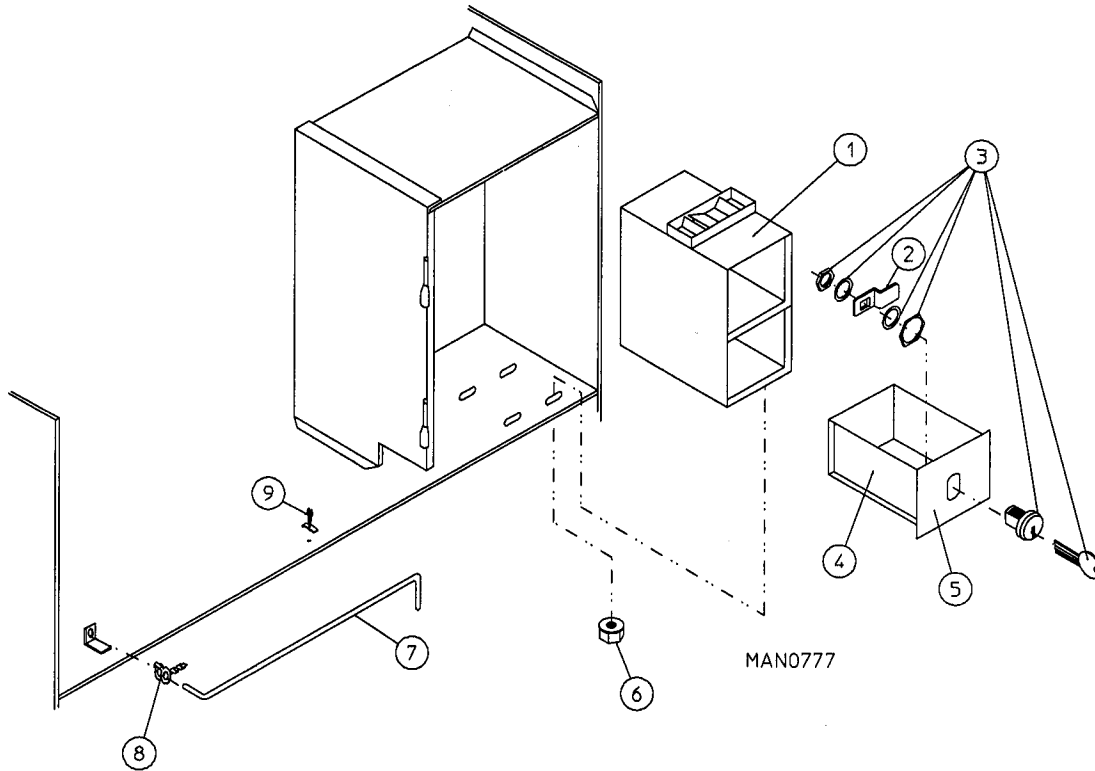


for Direct Spark Ignition Models ONLY



<u>Illus. No.</u>	<u>Part No.</u>	<u>Qty.</u>	<u>Description</u>
1	150300	2	#10 x 1/2" Hex Washer TEK Screw
2	311921	1	Service Box Cover Plate (9-7/8" x 5-3/4")
	311913	1	Service Box Cover Plate (9-7/8" x 4-3/8")
3	150300	2	#10 x 1/2" Hex Washer TEK Screw
4	141403	1	DSI 24 VAC Transformer
5	151000	2	#6-32 Pal Nut
6	120715	1	30-Position Terminal Block
7	150002	2	#6-32 x 1" Round Head Machine Screw
8	150415	2	#10-16 x 1/2" Phillips Round Head Crimpite Screw
9	131814	1	Motor Control Relay ONLY 115v
10	136008	*	Fuse Block/Strip ONLY
	872250	*	In-Line Fuse Holder Assembly ONLY
11	136057	*	1/2 Amp (Slo Blo) Fuse ONLY
	136054	*	15 Amp (Slo Blo) Fuse ONLY (for 115v Models Only)
	136056	*	20 Amp (Slo Blo) Fuse ONLY (for 208/230v for Models Only)
12	150301	*	#8 x 7/16" Phillips Pan Head TEK Screw

* As Required; Check fusing on dryer for verification.

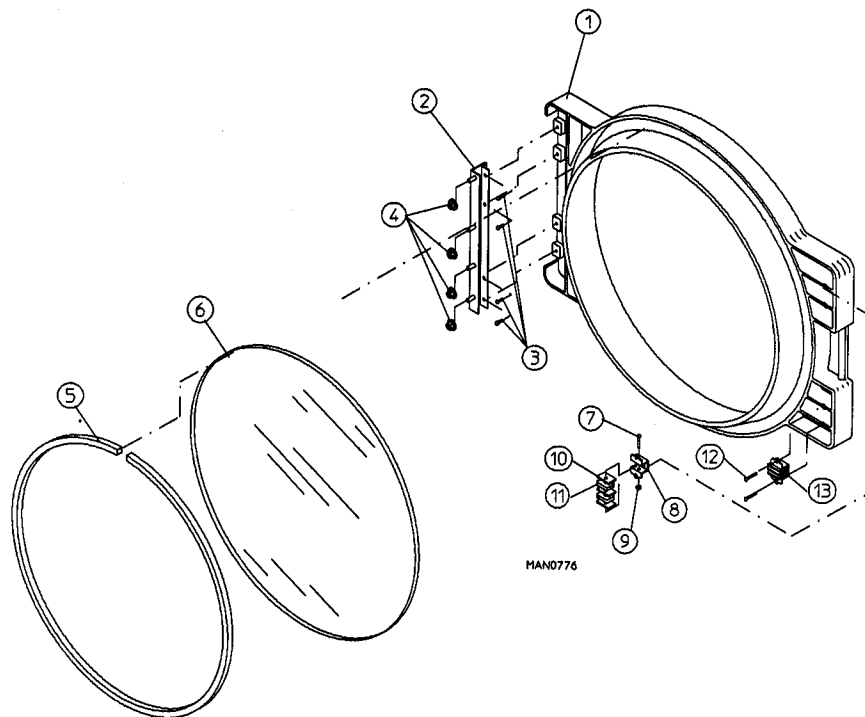


Illus. No.	Part No.	Qty.	Description
1	802112	1	Microprocessor Coin Vault Assembly Complete (includes illus. nos. 1 through 6)
	802117	1	Microprocessor Coin Vault ONLY
	802110	1	Non-Microprocessor Coin Vault Assembly Complete (includes illus. nos. 1 through 6)
	802115	1	Non-Microprocessor Coin Vault ONLY
2	160006	1	Cam for 1/4 Turn Lock ONLY
3	875061	1	1/4 Turn Lock with Key and Cam
	160105*	1	1/4 Turn Mer-Pel Key ONLY
4	802020	1	1/4 Turn Coin Box Assembly (includes illus. nos. 2 through 5)
	802019	1	1/4 Turn Coin Box ONLY without Face Plates
	125915	1	High Security (Greenwald) Coin Box ONLY with Key
5	802018	1	1/4 Turn Coin Box Face Plate ONLY
6	152014	4	1/4-20 Free Spin Wash Nut
7	102502	1	Control Door Support Rod
8	102601	1	Control Door Rod Retainer Clip
9	102600	1	Control Door Rod Catch

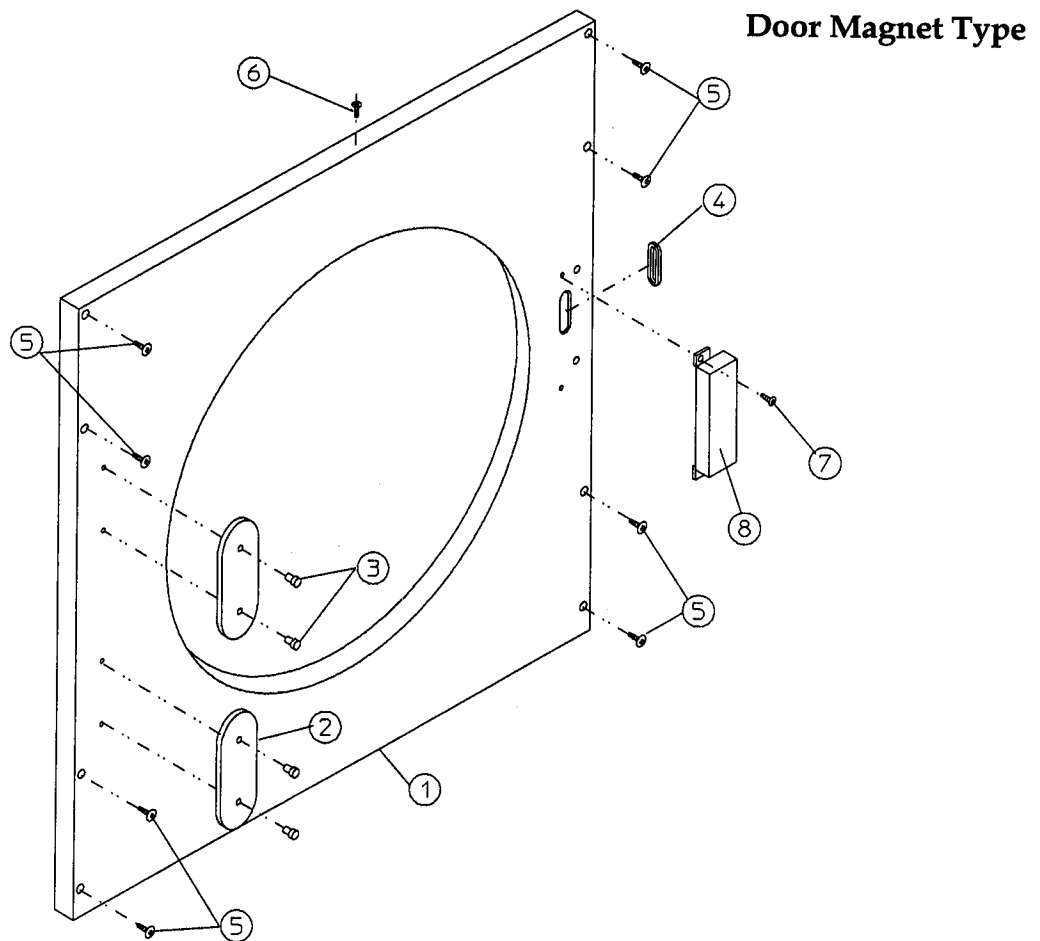
* Specify key number when ordering.



Door Magnet Type



Illus. No.	Part No.	Qty.	Description
1	800136	1	AD-15/ AD-25 Main Door Assembly Complete (includes illus. nos. 1 through 12)
	800133	1	AD-15/ AD-25 Main Door Assembly Less Accessories (includes illus. nos. 1, 2, and 3 Only)
	800134	1	AD-15/ AD-25 Main Door Glass and Gasket (includes illus. nos. 1, 2, 3, 5, and 6 Only)
2	103050	1	12-1/2" Stainless Steel Main Door Hinge
3	150410	4	#10-24 x 3/8" Phillips Round Head Taptite Screw
4	152014	4	1/4-20 Free-Spin Wash Nut
5	102350	1	68-1/2" Main Door Gasket
6	102210	1	20-7/16" Door Glass
7	150002	2	#6-32 x 1" Round Head Machine Screw
8	102105	2	Magnet Holder ONLY
9	152013	2	#6-32 Hex Nut
10	306802	6	Magnet Keeper
11	102102	4	Door Magnet (.215)
12	150410	4	#10-24 x 3/8" Phillips Round Head Taptite Screw
13	800131	2	Cast Aluminum Magnet Holder Assembly Complete (includes illus. nos. 7 through 11)
---	170730	1	Glass Adhesive for Lightweight Main Door (10.3 oz. cartridge)

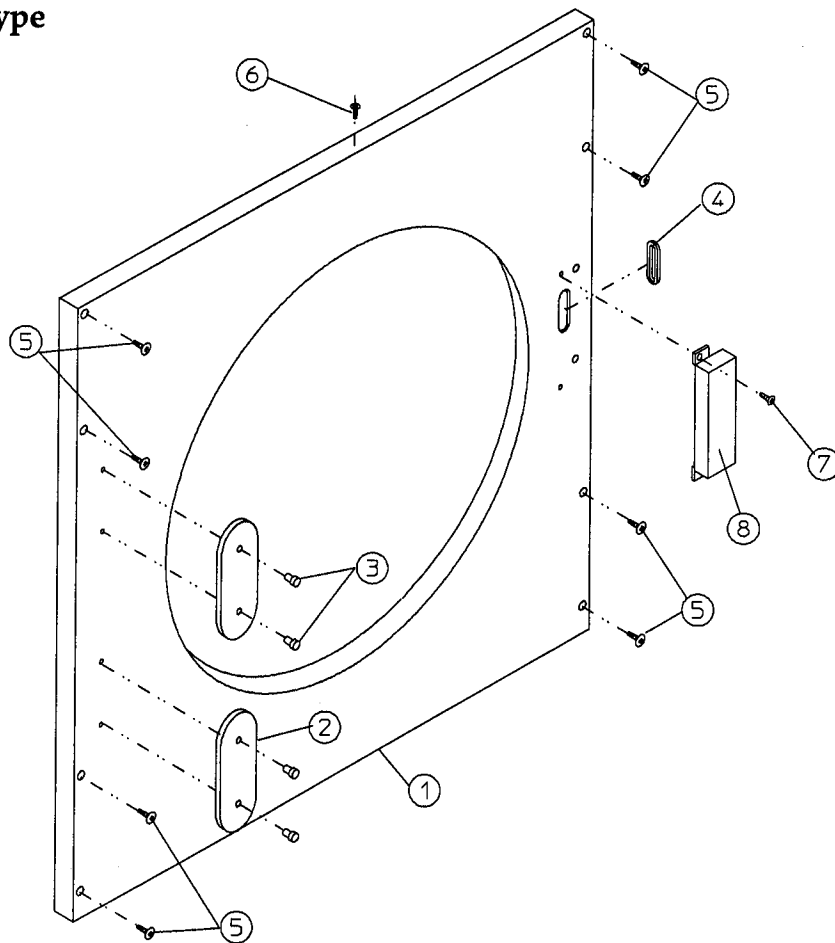


MAN0499

Illus. No.	Part No.	Qty.	Description
1*	800369	1	AD-15 Right Hand Front Panel Assembly (Magnet Type) Complete (includes illus. nos. 1 through 4)
	800366	1	AD-15 R.H. Insulated Front Panel Assembly (Magnet Type) Complete (includes illus. nos. 1 through 4)
	800383	1	AD-15 Stainless Steel R.H. Front Panel Assembly (Magnet Type) Complete (includes illus. nos. 1 through 4)
2	170340	2	3-1/2" Stainless Steel Striker Pad
3	154200	4	5/32" Pop Rivet
4	121405	1	Rubber Grommet
5	150415	8	#10-16 x 1/2" Phillips Round Head Crimp-tite Screw
6	150300	1	#10 x 1/2" Hex Washer TEK Screw
7	150201	2	#10-32 x 1/4" Phillips Pan Head TEK Screw
8	-----	1	Door Switch Housing Assembly (refer to Main Door Switch Assembly on page 36)

* Specify color when ordering.

Door Magnet Type

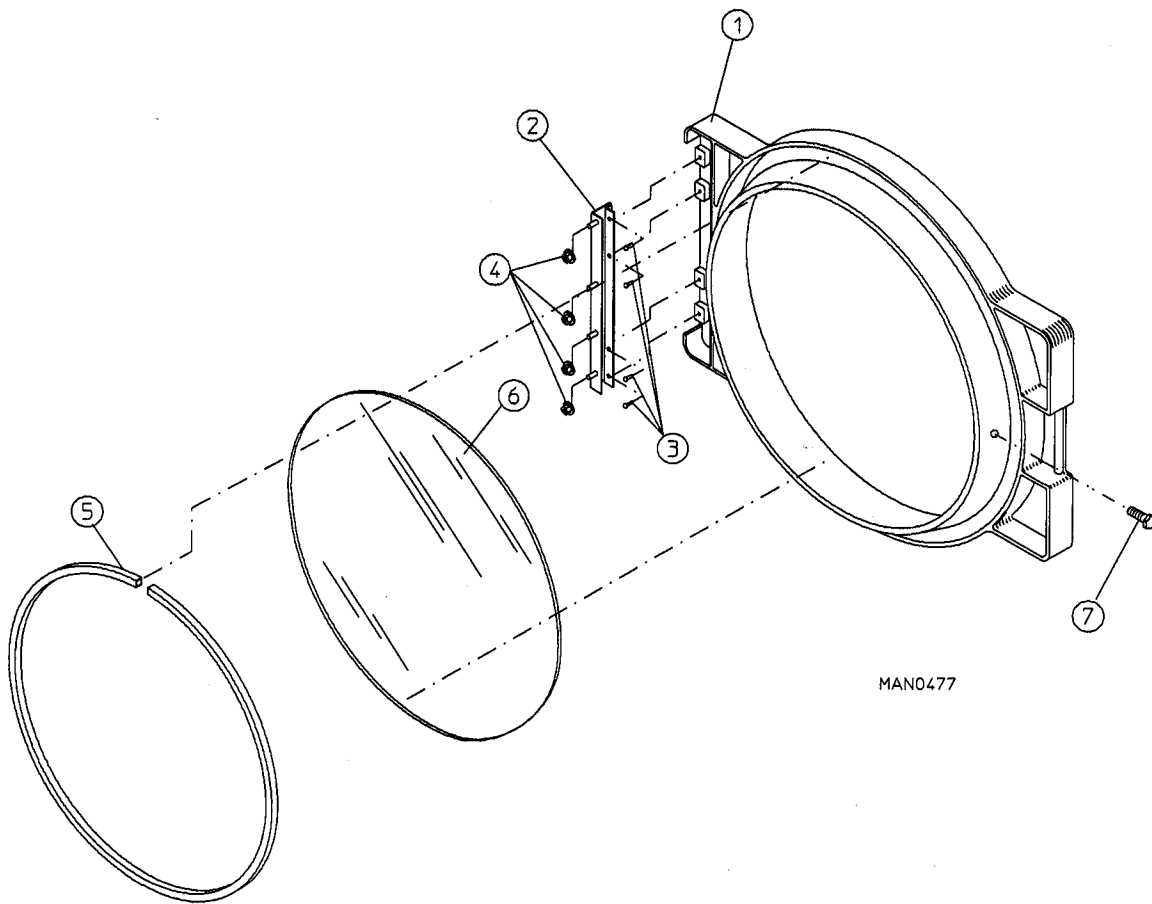


MAN0499

Illus. No.	Part No.	Qty.	Description
1*	800368	1	AD-25 Right Hand Front Panel Assembly (Magnet Type) Complete (includes illus. nos. 1 through 4)
	800371	1	AD-25 R.H. Insulated Front Panel Assembly (Magnet Type) Complete (includes illus. nos. 1 through 4)
	800388	1	AD-25 Stainless Steel R.H. Front Panel Assembly (Magnet Type) Complete (includes illus. nos. 1 through 4)
2	170340	2	3-1/2" Stainless Steel Striker Pad
3	154200	4	5/32" Pop Rivet
4	121405	1	Rubber Grommet
5	150415	8	#10-16 x 1/2" Phillips Round Head Crimptite Screw
6	150300	1	#10 x 1/2" Hex Washer TEK Screw
7	150201	2	#10-32 x 1/4" Phillips Pan Head TEK Screw
8	-----	1	Plunger Type Door Switch (refer to Plunger Type Main Door Switch Assembly on page 36)

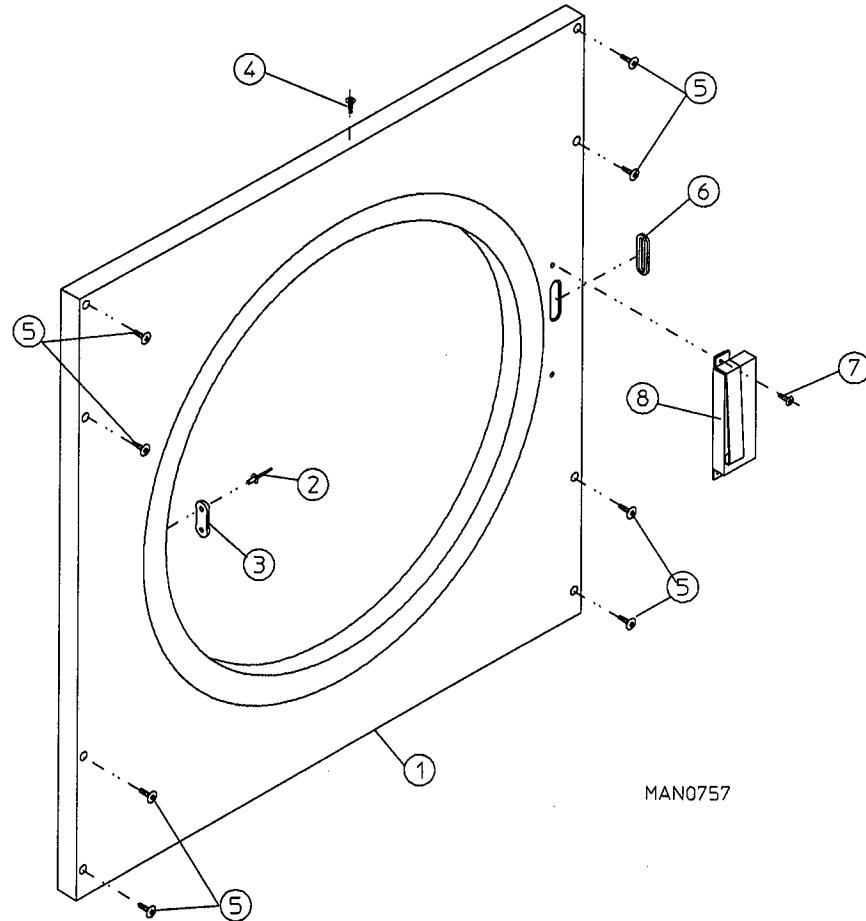
* Specify color when ordering.

Door Latch Type



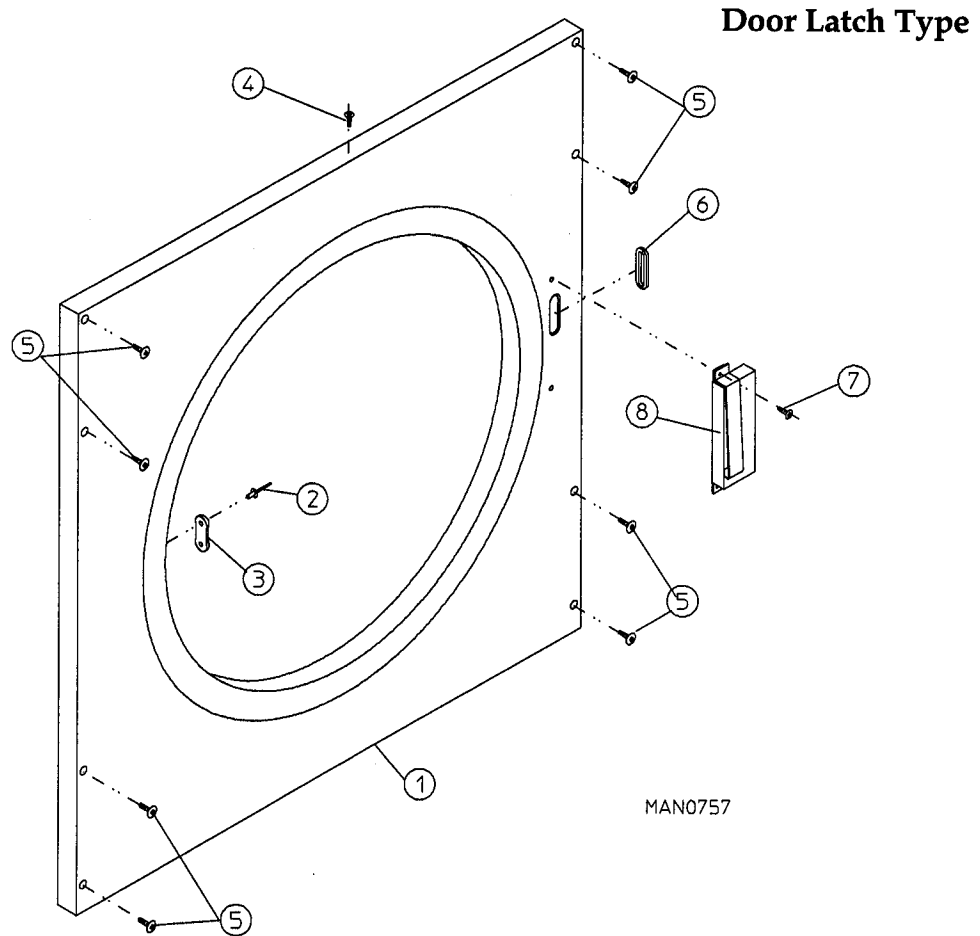
Illus. No.	Part No.	Qty.	Description
1	800285	1	Gray Main Door Assembly (Latch Type) Complete (includes illus. nos. 1, 5, 6, and 7)
2	103050	1	12-1/2" Stainless Steel Main Door Hinge
3	150410	4	#10-24 x 3/8" Phillips Pan Head Taptite Screw
4	152014	4	1/4-20 Free Spin Wash Nut
5	102350	1	68-1/2" Main Door Gasket
6	102210	1	20-7/16" Door Glass
	170730	1	Glass Adhesive for Main Door Assembly (10.3 oz. cartridge)
7	150431	1	Main Door Latch Screw (#10 x 7/16" Dome Hex Head Screw)

Door Latch Type



Illus. No.	Part No.	Qty.	Description
1*	875300	1	AD-15 R.H. Insulated Front Panel Assembly Complete (Latch Type) (includes illus. nos. 1, 2, 3, 6)
	875311	1	AD-15 Stainless Steel R.H. Insulated Front Panel Assembly Complete (Latch Type) (includes illus. nos. 1, 2, 3, and 6)
2	154215	2	1/8" Pop Rivet
3	170330	1	Friction Door latch
4	150300	1	#10 x 1/2" Hex Washer TEK Screw
5	150415	8	#10-16 x 1/2" Phillips Round Head Crimptite Screw
6	121405	1	Rubber Grommet
7	150201	2	#10-32 x 1/4" Phillips Pan Head TEK Screw
8	-----	1	N.S. Series Door Switch (for microprocessor models mfd. as of November 21, 1990, and non-microprocessor models mfd. as of November 15, 1990) Refer to N.S. Series Main Door Switch Assembly on page 35

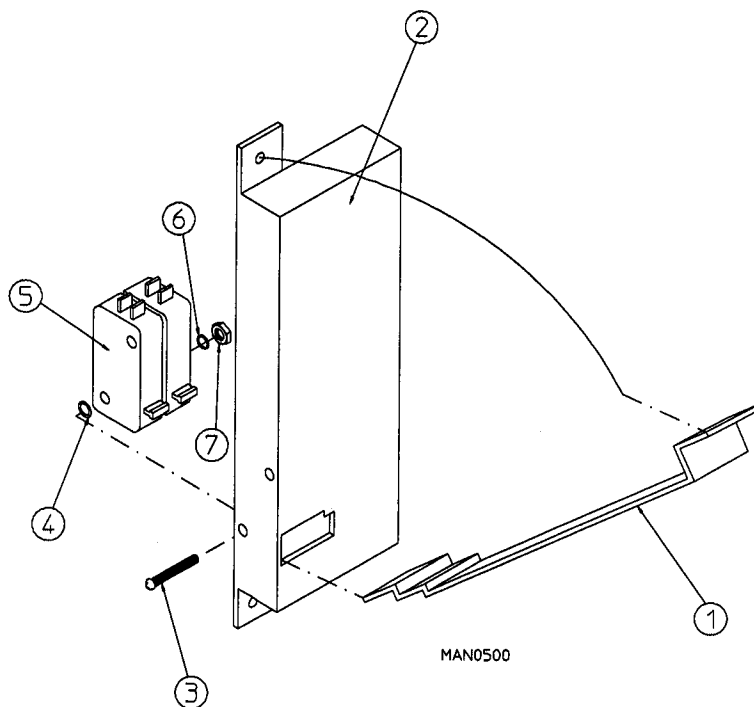
* Specify color when ordering.



MAN0757

Illus. No.	Part No.	Qty.	Description
1*	875301	1	AD-25 R.H. Insulated Front Panel Assembly Complete (Latch Type) (includes illus. nos. 1, 2, 3, 6)
	875312	1	AD-25 Stainless Steel R.H. Insulated Front Panel Assembly Complete (Latch Type) (includes illus. nos. 1, 2, 3, and 6)
2	154215	2	1/8" Pop Rivet
3	170330	1	Friction Door latch
4	150300	1	#10 x 1/2" Hex Washer TEK Screw
5	150415	8	#10-16 x 1/2" Phillips Round Head Crimp-tite Screw
6	121405	1	Rubber Grommet
7	150201	2	#10-32 x 1/4" Phillips Pan Head TEK Screw
8	-----	1	N.S. Series Door Switch (for microprocessor models mfd. as of November 21, 1990, and non-microprocessor models mfd. as of November 15, 1990) Refer to N.S. Series Main Door Switch Assembly on page 35

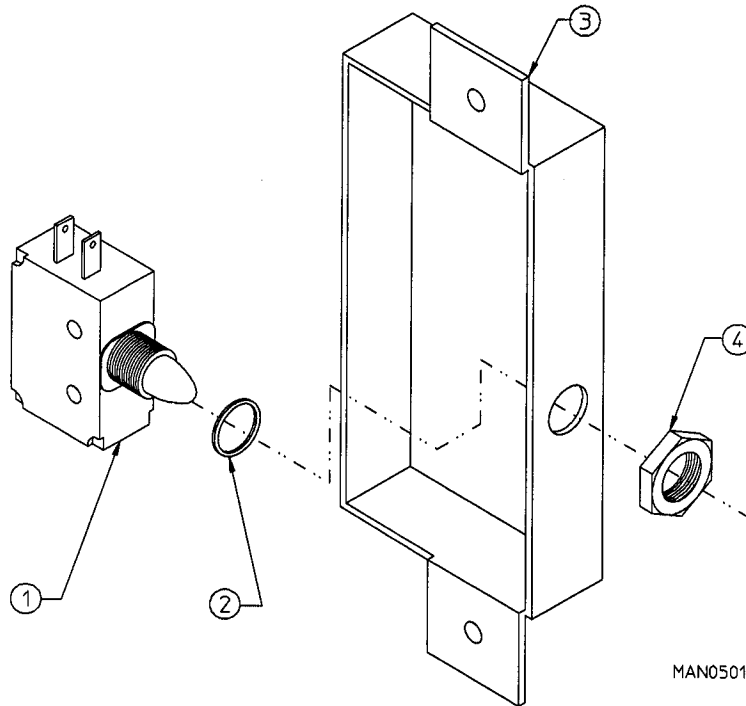
* Specify color when ordering.



Illus. No.	Part No.	Qty.	Description
1	313215	1	Door Switch Actuator Arm
2	800445*	1	N.S. Series Microprocessor Main Door Switch Housing Assy Complete (includes illus. nos. 1 through 7) For models mfd. as of November 21, 1990
	800446*	1	N.S. Series Non-Microprocessor Main Door Switch Housing Assy Complete (includes illus. nos. 1 through 7) For models mfd. as of November 15, 1990
	313217	1	Main Door Switch Housing ONLY
3	150025	2	#4-40 x 1" Pan Head Machine Screw
4	153045	2	#4 Lock Washer
5	137004	**	N.S. Series Main Door Switch ONLY
6	153045	2	#4 Lock Washer
7	152016	2	#4-40 Hex Nut

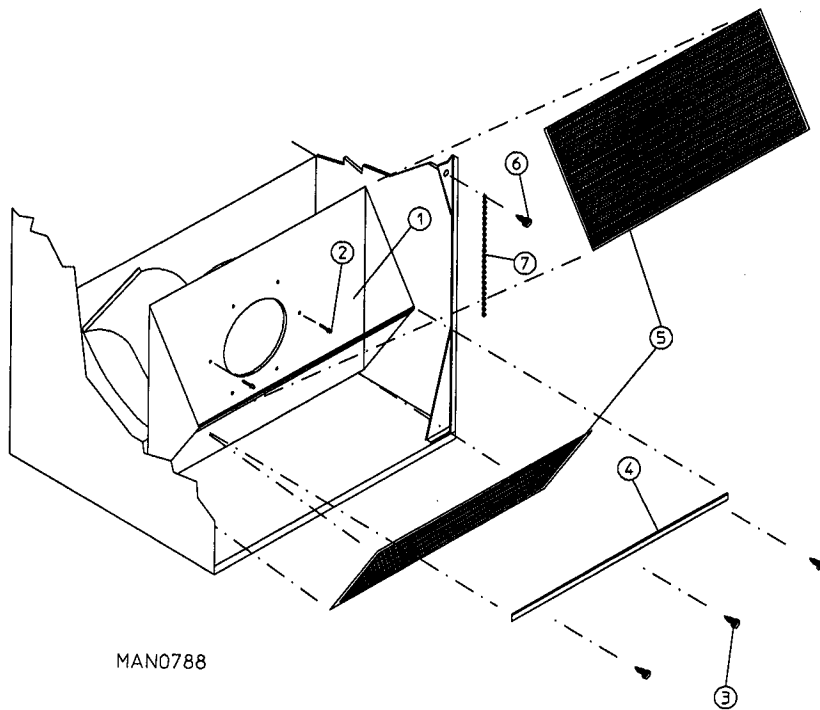
* Microprocessor models require two (2) N.S. Series Main Door Switches. Non-Microprocessor models require one (1) N.S. Series Main Door Switch.

** Quantity is either 1 or 2.



Illus. No.	Part No.	Qty.	Description
1	137003	1	Plunger Type Main Door Switch (includes illus. nos. 1, 2, and 4)
2	401551	*	Door Switch Spacer Washer
3	870010	1	Plunger Type Main Door Switch Assembly Complete (includes illus. nos. 1 through 4) For microprocessor models mfd. prior to November 21, 1990 and non-microprocessor models mfd. prior to November 15, 1990
	313209	1	Main Door Switch Housing ONLY
4	152003	1	3/8-32 x 1/2" Door Switch Nut

* As required.

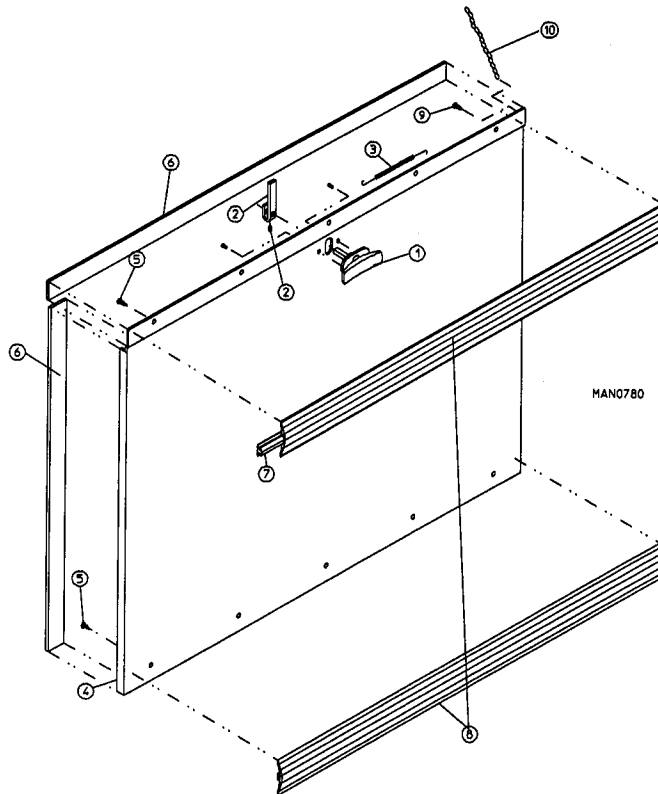


MAN0788

Illus. No.	Part No.	Qty.	Description
1	800425*	1	AD-15/ AD-25 Choked Lint Trap Assembly Complete (includes illus. nos. 1, 3, 4, and 5)
	800426*	1	AD-15/ AD-25 Choked Lint Trap ONLY
	800400**	1	AD-15/ AD-25 Choked Lint Trap Assembly Complete (includes illus. nos. 1, 3, 4, and 5)
	800403**	1	AD-15/25 Lint Trap ONLY
2	154200	6	5/32" Pop Rivet
3	150300	3	#10 x 1/2" Hex Washer TEK Screw
4	304100	1	Lint Screen Holder ONLY
5	800500	2	AD-15/ AD-25 Lint Screen ONLY
6	150419	2	#6 x 1/2" Tamper Proof TEK screw
7	108120	1	Chain for Drop Lint Door

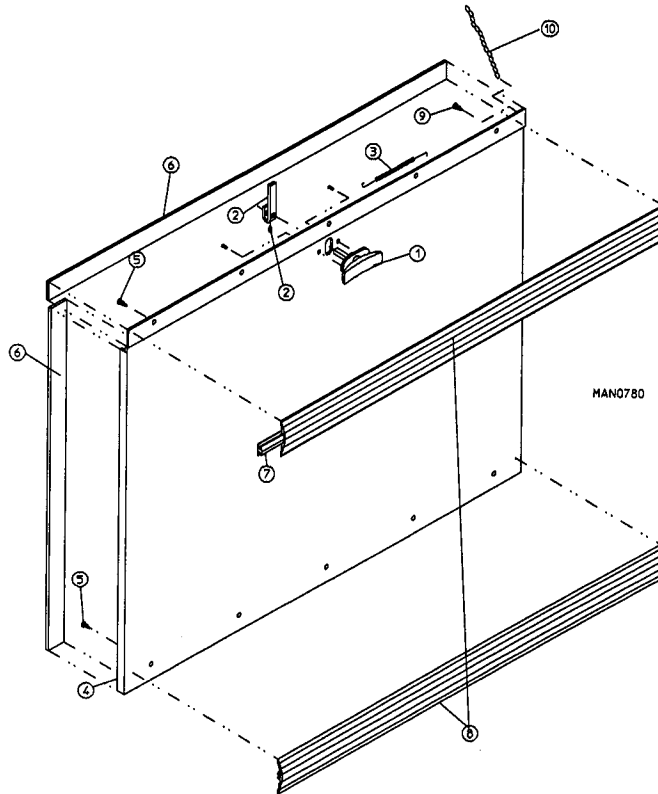
* Used on Gas Model Dryers Only.

** Used on Electric and Steam Dryers Only.



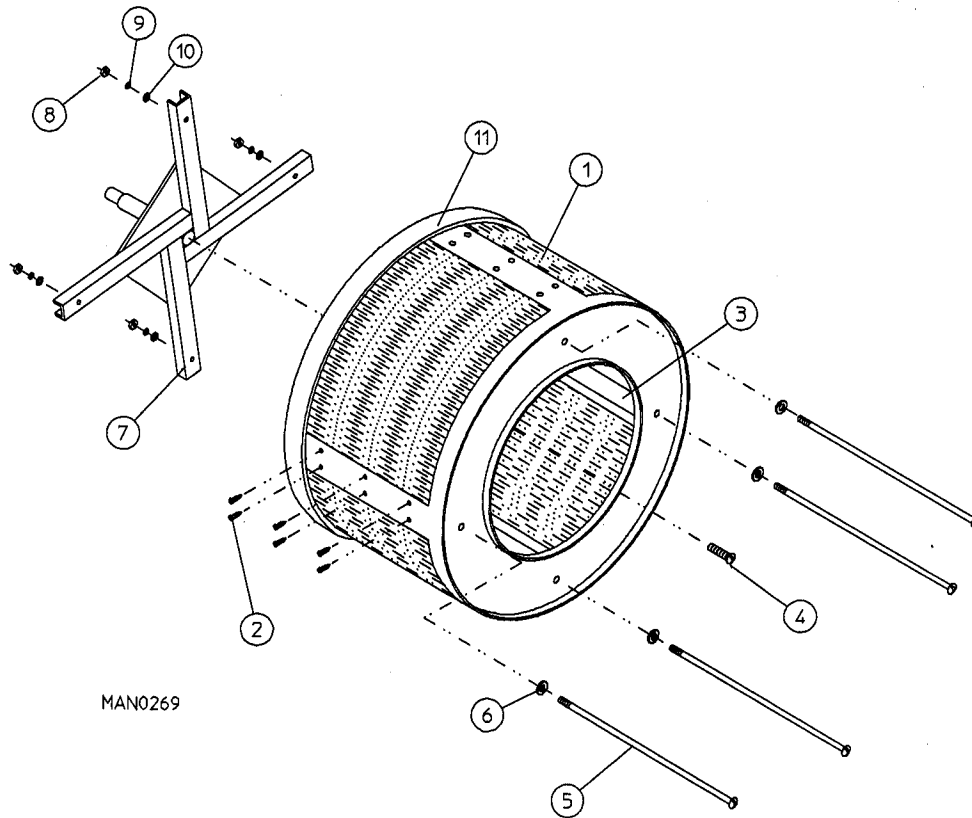
Illus. No.	Part No.	Qty.	Description
1	160001	1	AD-100 Lock Assembly with Key
	160103	1	AD-100 Key ONLY
	800150	1	Knob Latch Kit Assembly (for Non-Coin)
	160200	1	Knob Latch Kit with Two (2) Screws (for Non-Coin)
	160003	1	Dummy Lock ONLY (for Non-Coin)
	160104	1	MK-100 Key ONLY
2	160008	1	Lock Cam for AD-100
	160009	1	Knob Latch Adjustable Cam (for Non-Coin)
	150425	1	#12-24 x 3/8" R.H. Machine Screw (for Knob Latch Adjustable Cam)
3	157000	1	Drop Lint Door Spring
4*	800215	1	AD-15 Drop Lint Door Assembly (includes illus. nos. 4 through 8)
	800230	1	AD-15 Insulated Drop Lint Door Assembly (includes illus. nos. 4 through 8)
	800239	1	AD-15 Stainless Steel Drop Lint Door Assembly (includes illus. nos. 4 through 8)
5	150201	10	#10-32 x 1/4" Phillips Round Head Machine Screw
6	117600	7	Noise Suppressor tape (sold in feet)
7	102307	3	Trim Bumper Gasket (sold in feet)
8	180210	2	AD-15 Trim/Kick Plate (31-1/8" long)
9	150419	2	#6 x 1/2" Tamper Proof TEK Screw
10	108120	1	Chain For Drop Lint Door

* Specify color when ordering.



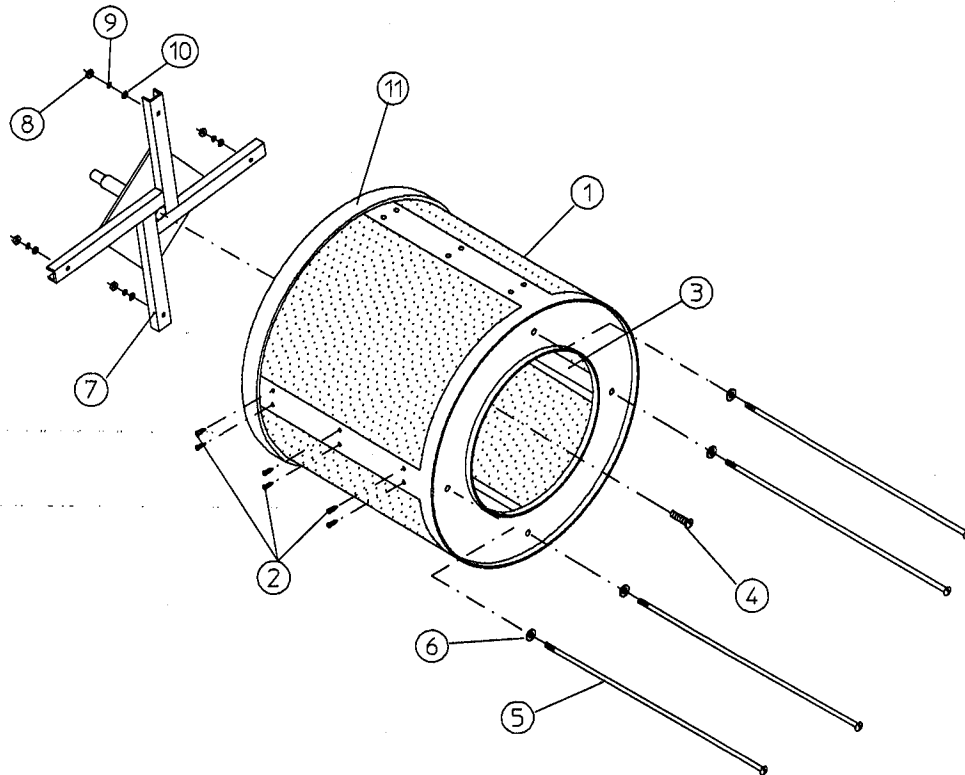
Illus. No.	Part No.	Qty.	Description
1	160001	1	AD-100 Lock Assembly with Key
	160103	1	AD-100 Key ONLY
	800150	1	Knob Latch Kit Assembly (for Non-Coin)
	160200	1	Knob Latch Kit with Two (2) Screws (for Non-Coin)
	160003	1	Dummy Lock ONLY (for Non-Coin)
	160104	1	MK-100 Key ONLY
2	160008	1	Lock Cam for AD-100
	160009	1	Knob Latch Adjustable Cam (for Non-Coin)
	150425	1	#12-24 x 3/8" R.H. Machine Screw (for Knob Latch Adjustable Cam)
3	157000	1	Drop Lint Door Spring
4*	800219	1	AD-25 Drop Lint Door Assembly (includes illus. nos. 4 through 8)
	800232	1	AD-25 Insulated Drop Lint Door Assembly (includes illus. nos. 4 through 8)
	800243	1	AD-25 Stainless Steel Drop Lint Door Assembly (includes illus. nos. 4 through 8)
5	150201	10	#10-32 x 1/4" Phillips Round Head Machine Screw
6	117600	7	Noise Suppressor tape (sold in feet)
7	102307	3	Trim Bumper Gasket (sold in feet)
8	180211	2	AD-25 Trim/Kick Plate (31-1/8" long)
9	150419	2	#6 x 1/2" Tamper Proof TEK Screw
10	108120	1	Chain For Drop Lint Door

* Specify color when ordering.



Illus. No.	Part No.	Qty.	Description
1*	800700	1	AD-15 Basket (Tumbler) ONLY (without felt collar)
	800812	1	AD-15 Basket (Tumbler) and Support Assembly (includes illus. nos. 1 through 10)
	800850	1	AD-15 Stainless Steel Basket (Tumbler) ONLY
	800860	1	AD-15 Stainless Steel Basket (Tumbler) and Support Assembly Complete (includes illus. nos. 1 through 10)
2	150415	24	#10-16 x 1/2 Phillips Round Head Crimptite Screw
3	301307	4	AD-15 Basket (Tumbler) Rib ONLY
	301407	4	AD-15 Stainless Steel Basket (Tumbler) Rib ONLY
4	150518	1	#5/16-18 x 3/8" Socket Button Head Screw
5	100900	4	5/16-18 x 17-1/2" Tie Rod
6	153003	4	3/8" x 1-1/2" Fender Washer
7	800610	1	AD-15 Basket (Tumbler) Support ONLY
8	152004	4	#5/16-18 Hex Nut
9	153002	4	5/16" Lock Washer
10	153001	4	5/16" Flat Washer
11	116002	1	Felt Collar ONLY
---	401010	1	#847 Adhesive for Felt Collar

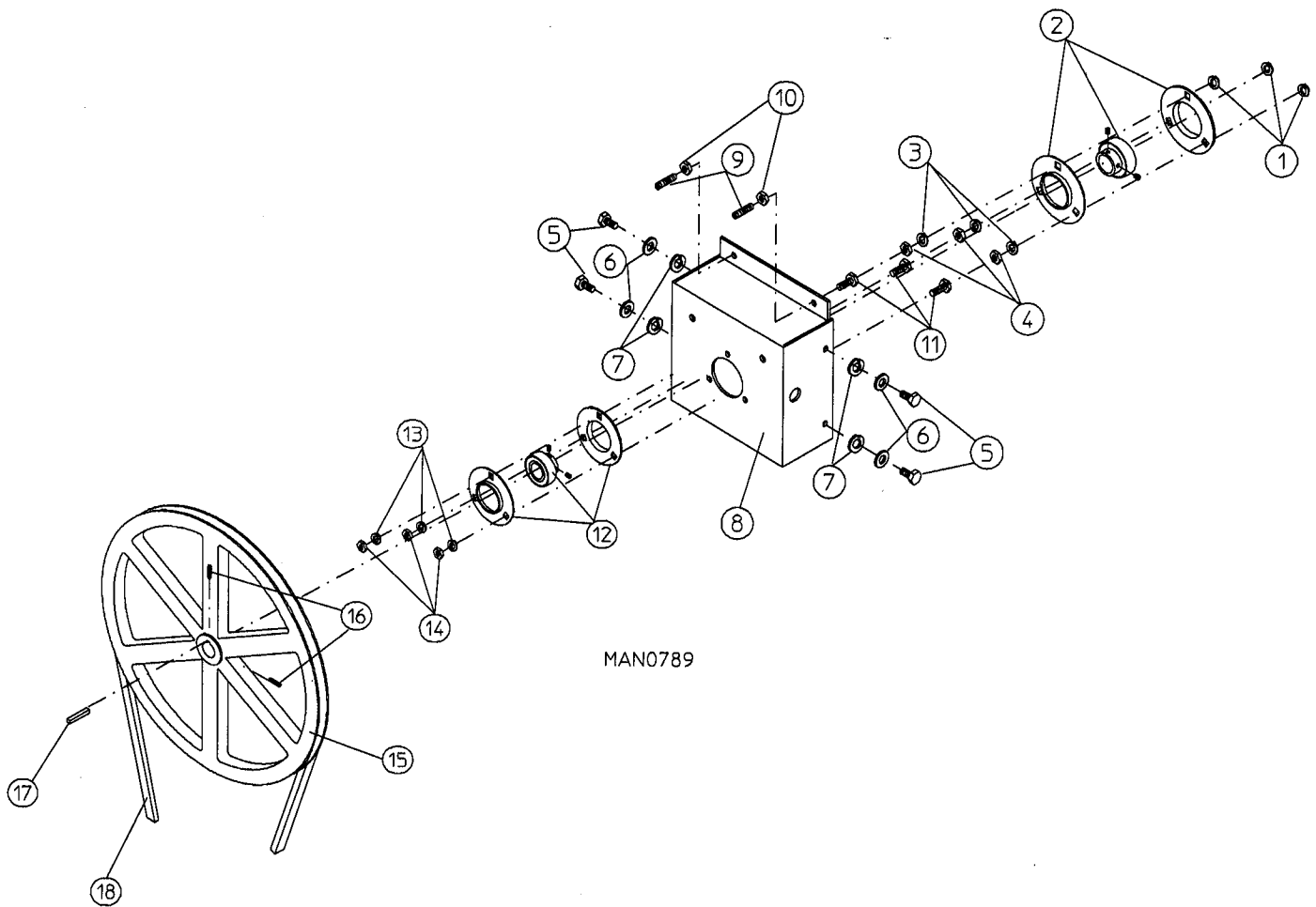
* Felt collar is not included and **must be ordered separately.**



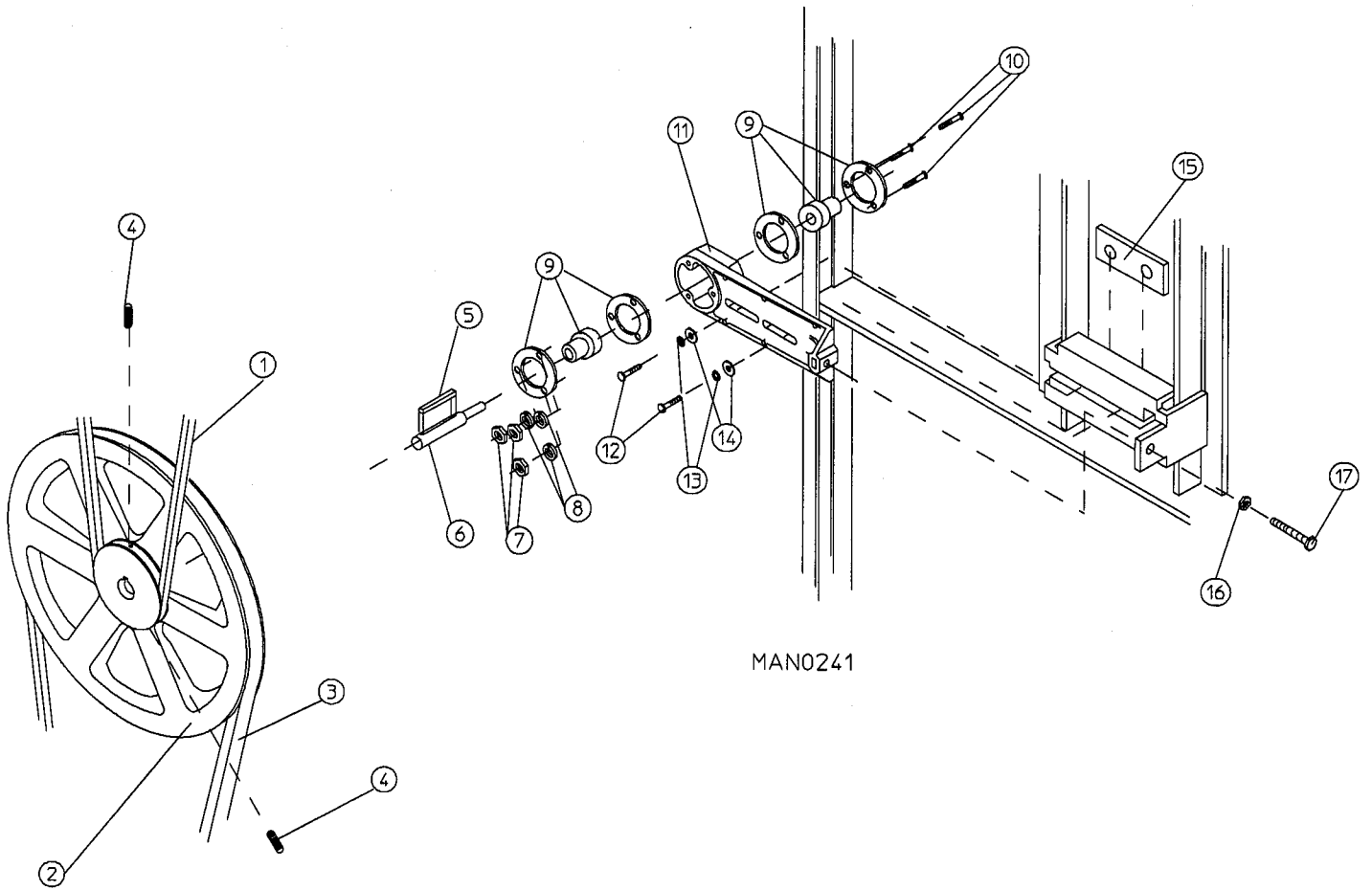
MAN0268

Illus. No.	Part No.	Qty.	Description
1*	800702	1	AD-25 Basket (Tumbler) ONLY (without felt collar)
	800814	1	AD-25 Basket (Tumbler) and Support Assembly (includes illus. nos. 1 through 10)
	800852	1	AD-25 Stainless Steel Basket (Tumbler) ONLY
	800862	1	AD-25 Stainless Steel Basket (Tumbler) and Support Assembly Complete (includes illus. nos. 1 through 10)
2	150415	24	#10-16 x 1/2 Phillips Round Head Crimptite Screw
3	301305	4	AD-25 Basket (Tumbler) Rib ONLY
	301405	4	AD-25 Stainless Steel Basket (Tumbler) Rib ONLY
4	150518	1	#5/16-18 x 3/8" Socket Button Head Screw
5	100900	4	5/16-18 x 17-1/2" Tie Rod
6	153003	4	3/8" x 1-1/2" Fender Washer
7	800611	1	AD-25 Basket (Tumbler) Support ONLY
8	152004	4	#5/16-18 Hex Nut
9	153002	4	5/16" Lock Washer
10	153001	4	5/16" Flat Washer
11	116001	1	Felt Collar ONLY
---	401010	1	#847 Adhesive for Felt Collar

* Felt collar is not included and **must** be ordered separately.



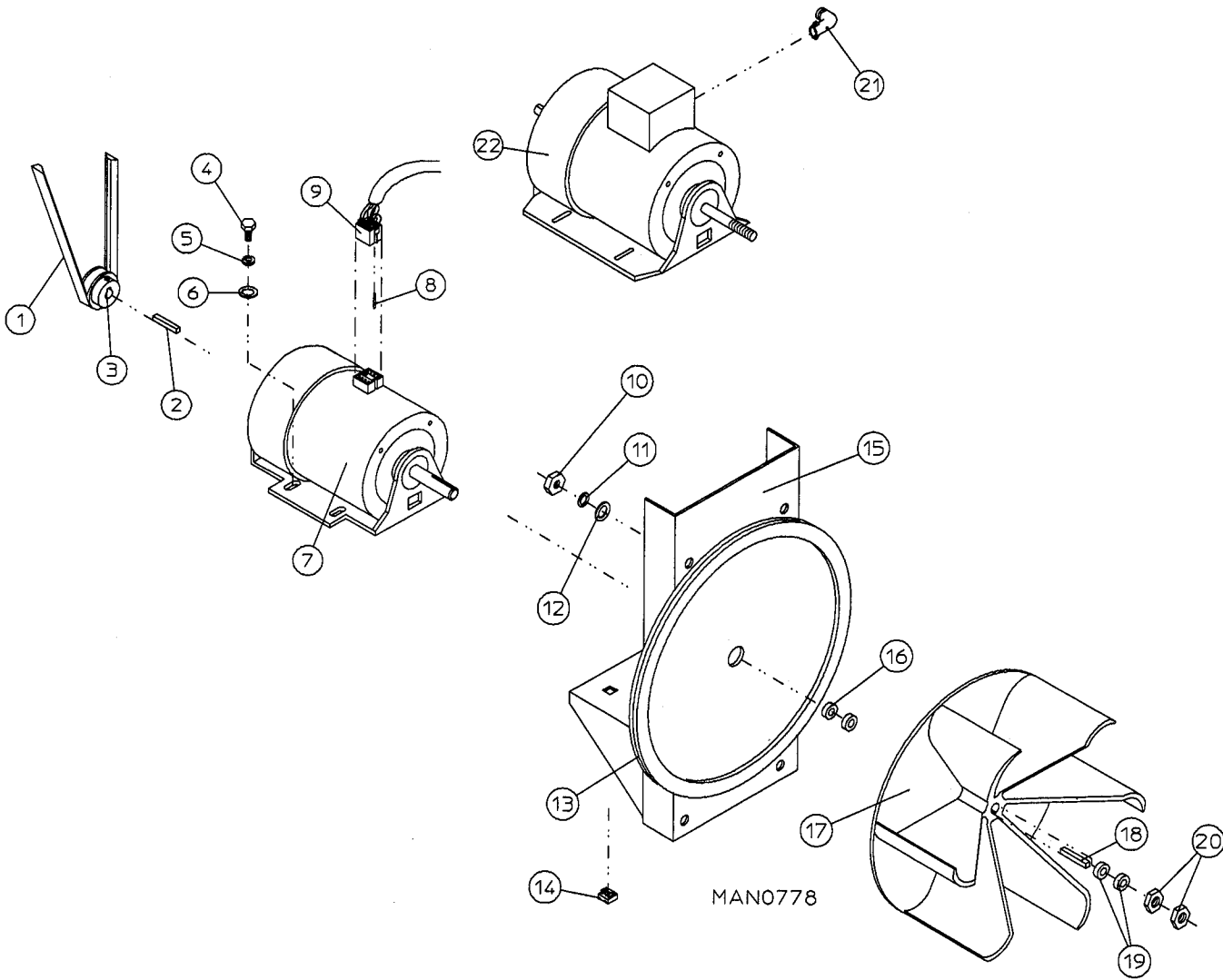
<u>Illus. No.</u>	<u>Part No.</u>	<u>Qty.</u>	<u>Description</u>
1	153002	3	5/16" Lock Washer
2	880213	1	1-1/4" Flange Bearing ONLY
3	153002	3	5/16" Lock Washer
4	152004	3	#5/16-18 Hex Nut
5	150501	4	#5/16-18 x 3/4" Hex Head Machine Bolt
6	153002	4	5/16" Lock Washer
7	153004	4	3/8" Flat Washer
8	801100	1	1" Bearing Box Assembly Complete (includes illus. nos. 8 through 14)
	801105	1	Bearing Box ONLY
9	150610	2	#5/16-18 1-1/2" Allen Set Screw
10	152004	2	#5/16-18 Hex Nut
11	150505	3	#5/16-18 x 3/4" Hex Head Machine Bolt
12	880201	1	1" Flange Bearing ONLY
13	153002	3	5/16" Lock Washer
14	152004	3	#5/16-18 Hex Nut
15	101100	1	18" Pulley ONLY
16	154301	2	#5/16-18 x 5/16" Allen Set Screw
17	100713	1	1/4" x 1/4" x 7/8" Key
18	100108	1	5L680 "V" Belt (tumbler to idler) For AD-15 50/60 Hz and AD-25 60 Hz
	100107	1	5L670 "V" Belt (tumbler to idler) For AD-25 50 Hz ONLY



MAN0241

<u>Illus. No.</u>	<u>Part No.</u>	<u>Qty.</u>	<u>Description</u>
1	100108	1	5L680 "V" Belt (tumbler to idler) For AD-15 50/60 Hz and AD-25 60 Hz
	100107	1	5L670 "V" Belt (tumbler to idler) For AD-25 50 Hz ONLY
2	101129	1	9" x 2-1/2" Compound Pulley
3	100110	1	4L500 "V" Belt (idler to motor) 60 Hz ONLY
	100103	1	4L510 "V" Belt (idler to motor) 50 Hz ONLY
4	154301	2	#5/16-18 x 5/16" Cone Point Allen Set Screw
5	100705	1	3/16" x 3/16" x 1-3/8" Key
6	301850	1	5/8" x 3/4" Idler Shaft
7	152002	3	#1/4-20 Hex Nut
8	153007	3	1/4" Lock Washer
9	880214	2	5/8" Flange Bearing
10	150521	3	#1/4-20 x 2" Carriage Bolt
11	801007	1	Idler Bearing Assembly (includes illus. nos. 6 through 17)
12	150617	2	#3/8-16 x 1" Hex Head Machine Bolt
13	153005	2	3/8" Lock Washer
14	153004	2	3/8" Flat Washer
15	801009	1	Idler Square Washer
16	152004	1	#5/16-18 Hex Nut
17	150509	1	#5/16-18 x 3" Hex Head Machine Bolt

for 60 Hz Models
Non-Tapered Ribs ONLY

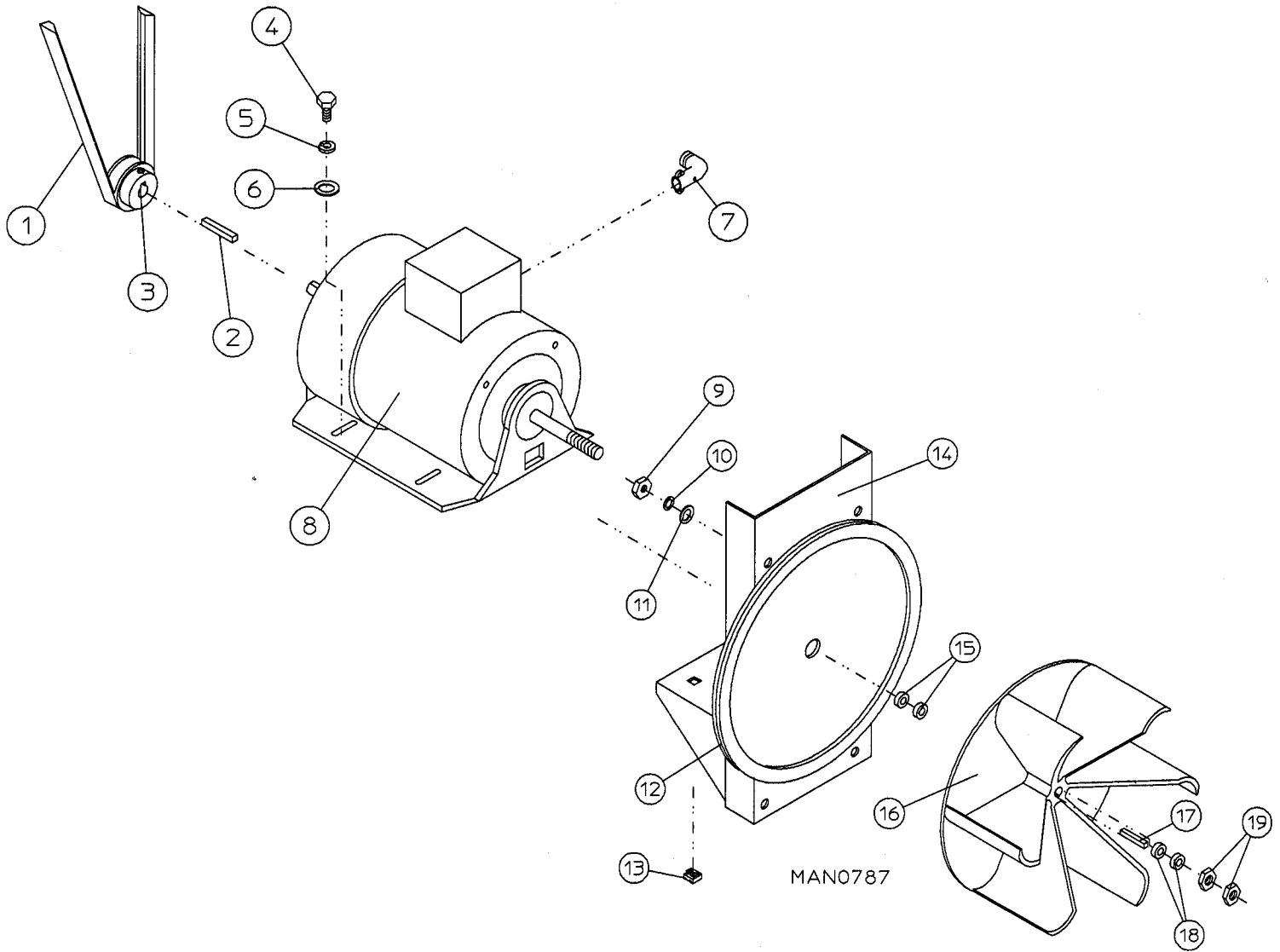


**for 60 Hz Models
Non-Tapered Ribs ONLY**

<u>Illus. No.</u>	<u>Part No.</u>	<u>Qty.</u>	<u>Description</u>
1	100110	1	4L500 "V" Belt (to idler assembly)
2	100701	1	3/16" x 3/16" x 1" Key (used on 3Ø Models ONLY)
3	101104	1	1/2" x 2" Motor Pulley (used on 1Ø Motors ONLY)
	101132	1	5/8" x 2" Motor Pulley (used on 3Ø Motors ONLY)
4	150501	4	#5/16-18 x 3/4" Hex Head Machine Bolt
5	153002	4	5/16" Lock Washer
6	153001	4	5/16" Flat Washer
7	100065	1	1/2 HP 100-230v 50/60 Hz 1Ø T.E.F.C. Motor
8	122701	8	Socket Terminal ONLY
	122801	1	Pin/Socket Extraction Tool
9	137030	1	8-Pin Housing Connector
10	152004	4	#5/16-18 Hex Nut
11	153002	4	5/16" Lock Washer
12	153001	4	5/16" Flat Washer
13	117600	4	Noise Suppressor Tape (sold in feet)
14	154000	4	#5/16-18 Tinnerman Nut
15	800908	1	1/2 HP Motor Mount Only (56Z Frame)
	803930*	1	1/2 HP 115-230v 50/60 Hz 1Ø T.E.F.C. Motor Mount Assembly Complete with Plug Motor (includes illus. nos. 3 through 7 and 13 through 20)
	803717*	1	1/2 HP 115-230v 60 Hz 1Ø T.E.F.C. Motor Mount Assembly Complete (includes illus. nos. 3 through 6 and 13 through 22)
	803801*	1	1/2 HP 208/230/380/460v 60 Hz 3Ø T.E.F.C. Motor Mount Assembly Complete (includes illus. nos. 3 through 6 and 13 through 22)
16	153050	2	1/2" S.A.E. Flat Washer
17	100604	1	12-1/2" Impellor (Fan) with 1/2" Bore
18	100702	1	1/8" x 1/8" x 1-1/2" Key
19	153050	2	1/2" S.A.E. Flat Washer
20	152006	2	1/2-20 Left Hand Jam Nut
21	120200	1	3/8" x 90° Connector
22	100004	1	1/2 HP 115-230v 60 Hz 1Ø T.E.F.C. Motor (56Z Frame)
	100007	1	1/2 HP 208/230/380/460v 50/60 Hz 3Ø T.E.F.C. Motor (56Z Frame)

* Specify voltage when ordering.

for 50 Hz Models
Non-Tapered Ribs ONLY



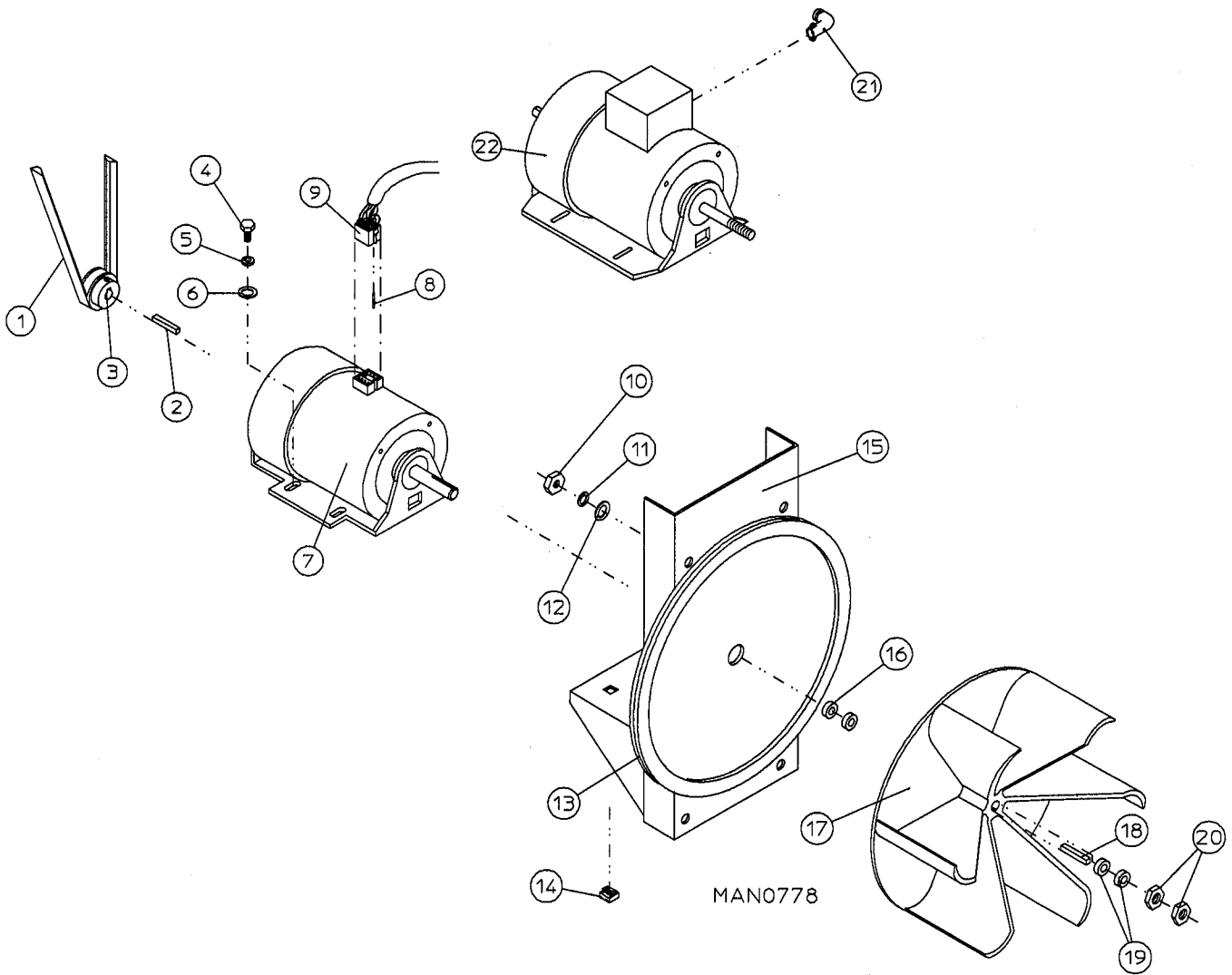
MAN0787

**for 50 Hz Models
Non-Tapered Ribs ONLY**

<u>Illus. No.</u>	<u>Part No.</u>	<u>Qty.</u>	<u>Description</u>
1	100110	1	4L500 "V" Belt (to idler assembly)
2	100701	1	3/16" x 3/16" x 1" Key (used on 3Ø Models ONLY)
3	101133	1	5/8" x 2-1/4" Motor Pulley
4	150501	4	#5/16-18 x 3/4" Hex Head Machine Bolt
5	153002	4	5/16" Lock Washer
6	153001	4	5/16" Flat Washer
7	120200	1	3/8" x 90° Connector
8	100035	1	1/2 HP 240v 50Hz 1Ø T.E.F.C. Motor (56Z Frame)
	100007	1	1/2 HP 208/230/380/460v 50/60Hz 3Ø T.E.F.C. Motor (56Z Frame)
9	152004	4	#5/16-18 Hex Nut
10	153002	4	5/16" Lock Washer
11	153001	4	5/16" Flat Washer
12	117600	4	Noise Suppressor Tape (sold in feet)
13	154000	4	#5/16-18 Tinnerman Nut
14	800908	1	1/2 HP Motor Mount Only (56Z Frame)
	803707	1	1/2 HP 240v 50 Hz 1Ø T.E.F.C. Motor Mount Assembly Complete (includes illus. nos. 3 through 8 and 12 through 19)
	803800*	1	1/2 HP 208/230/380/460v 50 Hz 3Ø T.E.F.C. Motor Mount Assembly Complete (includes illus. nos. 3 through 8 and 12 through 19)
15	153050	2	1/2" S.A.E. Flat Washer
16	100604	1	12-1/2" Impellor (Fan) with 1/2" Bore
17	100702	1	1/8" x 1/8" x 1-1/2" Key
18	153050	2	1/2" S.A.E. Flat Washer
19	152006	2	1/2-20 Left Hand Jam Nut

* Specify voltage when ordering.

for 60 Hz Models
Non-Tapered Ribs ONLY

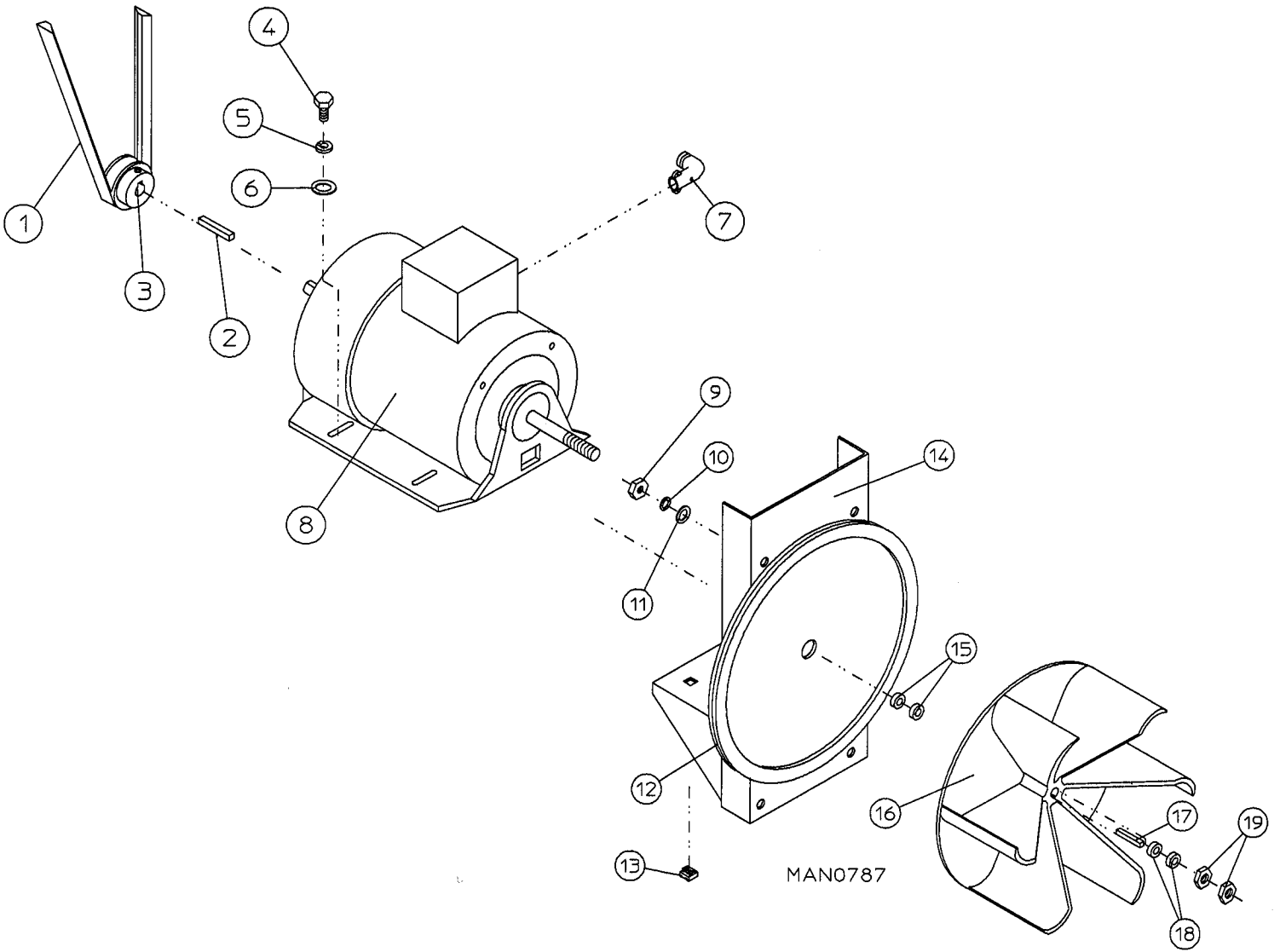


**for 60 Hz Models
Non-Tapered Ribs ONLY**

<u>Illus. No.</u>	<u>Part No.</u>	<u>Qty.</u>	<u>Description</u>
1	100110	1	4L500 "V" Belt (to idler assembly)
2	100701	1	3/16" x 3/16" x 1" Key (used on 3Ø Models ONLY)
3	101102	1	1/2" x 1-3/4" Motor Pulley (used on 1Ø Motors ONLY)
	101103	1	5/8" x 1-3/4" Motor Pulley (used on 3Ø Motors ONLY)
4	150501	4	#5/16-18 x 3/4" Hex Head Machine Bolt
5	153002	4	5/16" Lock Washer
6	153001	4	5/16" Flat Washer
7	100065	1	1/2 HP 100-230v 50/60 Hz 1Ø T.E.F.C. Motor
8	122701	8	Socket Terminal ONLY
	122801	1	Pin/Socket Extraction Tool
9	137030	1	8-Pin Housing Connector
10	152004	4	#5/16-18 Hex Nut
11	153002	4	5/16" Lock Washer
12	153001	4	5/16" Flat Washer
13	117600	4	Noise Suppressor Tape (sold in feet)
14	154000	4	#5/16-18 Tinnerman Nut
15	800910	1	1/2 HP Motor Mount Only (56Z Frame)
	803935*	1	1/2 HP 115-230v 60 Hz 1Ø T.E.F.C. Motor Mount Assembly Complete with PPlug Type Motor (includes illus. nos. 3 through 7 and 13 through 20)
	803747	1	1/2 HP 115-230v 60 Hz 1Ø T.E.F.C. Motor Mount Assembly Complete (includes illus. nos. 3 through 6 and 13 through 22)
	803807*	1	1/2 HP 208/230/380/460v 60 Hz 3Ø T.E.F.C. Motor Mount Assembly Complete (includes illus. nos. 3 through 6 and 13 through 22)
16	153050	2	1/2" S.A.E. Flat Washer
17	100604	1	12-1/2" Impellor (Fan) with 1/2" Bore
18	100702	1	1/8" x 1/8" x 1-1/2" Key
19	153050	2	1/2" S.A.E. Flat Washer
20	152006	2	1/2-20 Left Hand Jam Nut
21	120200	1	3/8" x 90° Connector
22	100004	1	1/2 HP 115-230v 60 Hz 1Ø T.E.F.C. Motor (56Z Frame)
	100007	1	1/2 HP 208/230/380/460v 50/60 Hz 3Ø T.E.F.C. Motor (56Z Frame)

* Specify voltage when ordering.

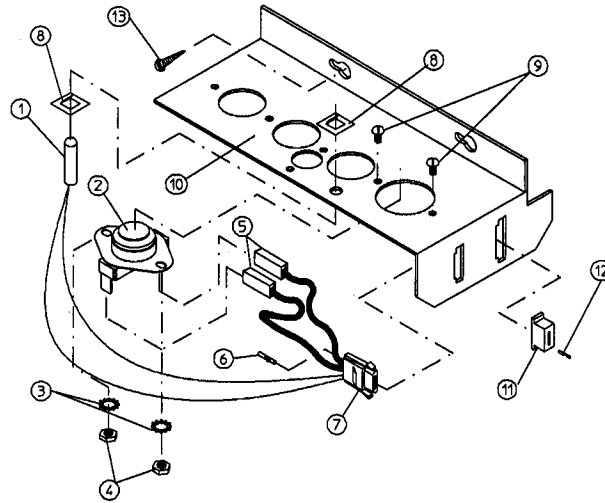
for 50 Hz Models
Non-Tapered Ribs ONLY



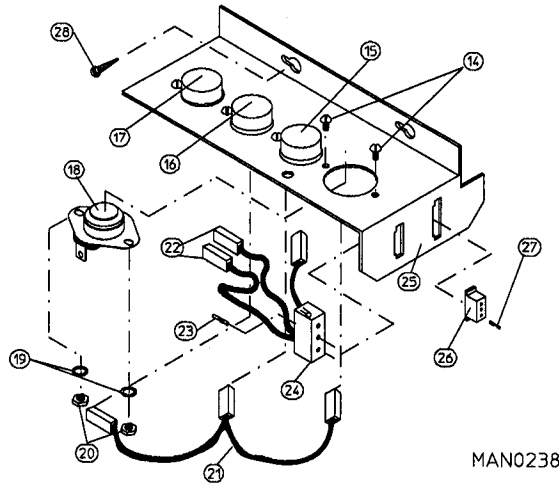
**for 50 Hz Models
Non-Tapered Ribs ONLY**

<u>Illus. No.</u>	<u>Part No.</u>	<u>Qty.</u>	<u>Description</u>
1	100103	1	4L510 "V" Belt (to idler assembly)
2	100701	1	3/16" x 3/16" x 1" Key (used on 3Ø Models ONLY)
3	101132	1	5/8" x 2" Motor Pulley
4	150501	4	#5/16-18 x 3/4" Hex Head Machine Bolt
5	153002	4	5/16" Lock Washer
6	153001	4	5/16" Flat Washer
7	120200	1	3/8" x 90° Connector
8	100035	1	1/2 HP 240v 50Hz 1Ø T.E.F.C. Motor (56Z Frame)
	100007	1	1/2 HP 208/230/380/460v 50/60Hz 3Ø T.E.F.C. Motor (56Z Frame)
9	152004	4	#5/16-18 Hex Nut
10	153002	4	5/16" Lock Washer
11	153001	4	5/16" Flat Washer
12	117600	4	Noise Suppressor Tape (sold in feet)
13	154000	4	#5/16-18 Tinnerman Nut
14	800910	1	1/2 HP Motor Mount Only (56Z Frame)
	803755	1	1/2 HP 240v 50 Hz 1Ø T.E.F.C. Motor Mount Assembly Complete (includes illus. nos. 3 through 8 and 12 through 19)
	803806*	1	1/2 HP 208/230/380/460v 50 Hz 3Ø T.E.F.C. Motor Mount Assembly Complete (includes illus. nos. 3 through 8 and 12 through 19)
15	153050	2	1/2" S.A.E. Flat Washer
16	100604	1	12-1/2" Impellor (Fan) with 1/2" Bore
17	100702	1	1/8" x 1/8" x 1-1/2" Key
18	153050	2	1/2" S.A.E. Flat Washer
19	152006	2	1/2-20 Left Hand Jam Nut

* Specify voltage when ordering.



MICROPROCESSOR SENSOR BRACKET ASSEMBLY



MAN0238

NON-COMPUTER SENSOR BRACKET ASSEMBLY

<u>Illus. No.</u>	<u>Part No.</u>	<u>Qty.</u>	<u>Description</u>
1	880251	1	1/4" Temperature Sensor Probe Assembly (includes illus. nos. 1 and 5 through 8)
2	130103	1	225° Large Automatic Thermostat
3	153010	2	#6 Star Washer
4	152000	2	#6-32 Hex Nut
5	121028	2	Insulated Terminal ONLY
6	122701	4	Socket Terminal Only
7	122605	1	4-Pin Socket Connector ONLY
8	154007	2	1/4" Tinnerman Push-on Fastener
9	150000	2	#6-32 x 1/4" Round Head Machine Screw

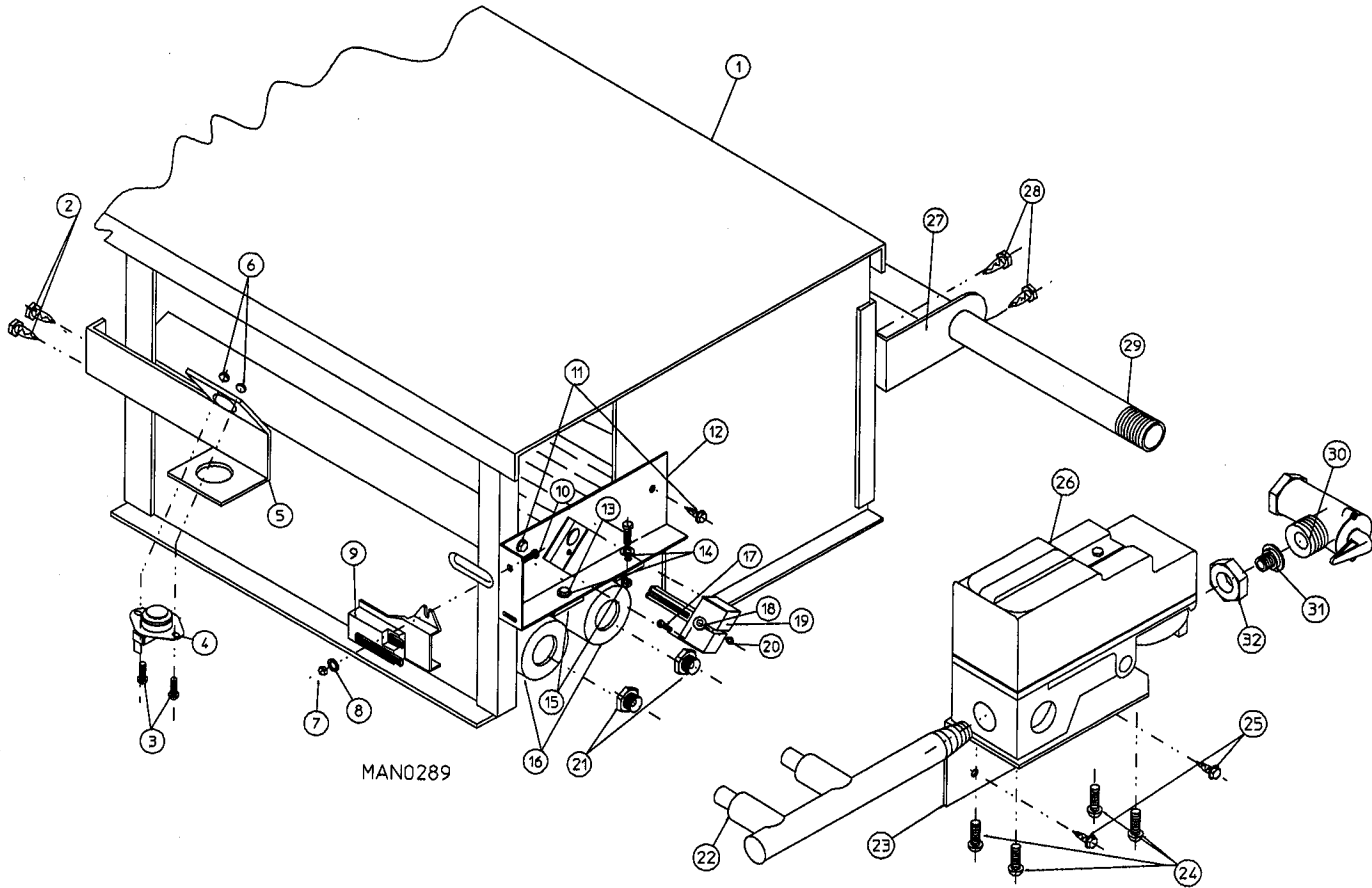
<u>Illus. No.</u>	<u>Part No.</u>	<u>Qty.</u>	<u>Description</u>
10	801425	1	Microprocessor Sensor Bracket Assembly Complete (includes illus. nos. 1 through 10)
	305007	1	Universal Sensor Bracket ONLY
11	122604	1	4-Pin Connector Only
12	122700	4	Pin Terminal ONLY
13	150301	2	#8-18 x 7/16" Phillips Pan Head TEK Screw
14	150000	*	#6-32 x 1/4" Round Head Machine Screw
15	130100	1	150° Large Thermostat
	130109	1	140° Large Thermostat (<i>for UniDryer ONLY</i>)
16	130103	1	225° Large Automatic Thermostat
	130107	1	160° Large Thermostat (<i>for UniDryer ONLY</i>)
17	130103	1	225° Large Automatic Reset Thermostat (<i>for UniDryer ONLY</i>)
18	130101	1	180° Large Thermostat
19	153010	*	#6 Star Washer
20	152000	*	#6-32 Hex Nut
21	840063	1	Sensor Jumper (3) ONLY
	840065	1	Sensor Jumper (4) Only (<i>for UniDryer ONLY</i>)
22	121028	**	Insulated Terminal ONLY
23	122701	***	Socket Terminal ONLY
24	122609	1	3-Pin Socket Connector ONLY
	122605	1	4-Pin Socket Connector Only (<i>for UniDryer ONLY</i>)
	831702	1	Sensor (3) Bracket Harness Assembly (includes illus. nos. 22, 23, and 24)
	840062	1	Sensor (4) Bracket Harness Assembly (<i>for UniDryer ONLY</i>) (includes illus. nos. 22, 23, and 24)
25	801405	1	Non-Computer Sensor (3) Bracket Assembly Complete (includes thermostats)
	801411	1	Non-Computer Sensor (4) Bracket Assembly Complete (<i>for UniDryer ONLY</i>) (includes thermostats)
	305007	1	Universal Sensor Bracket ONLY
26	122608	1	3-Pin Connector ONLY
	122604	1	4-Pin Connector ONLY (<i>for UniDryer ONLY</i>)
27	122700	***	Pin terminal ONLY
28	150301	2	#8-18 x 7/16" Phillips Pan Head TEK Screw
—	122801	1	Pin/Socket Extraction Tool

* Quantity is 4 or 5.

** Quantity is 6 or 8.

*** Quantity is 3 or 4.

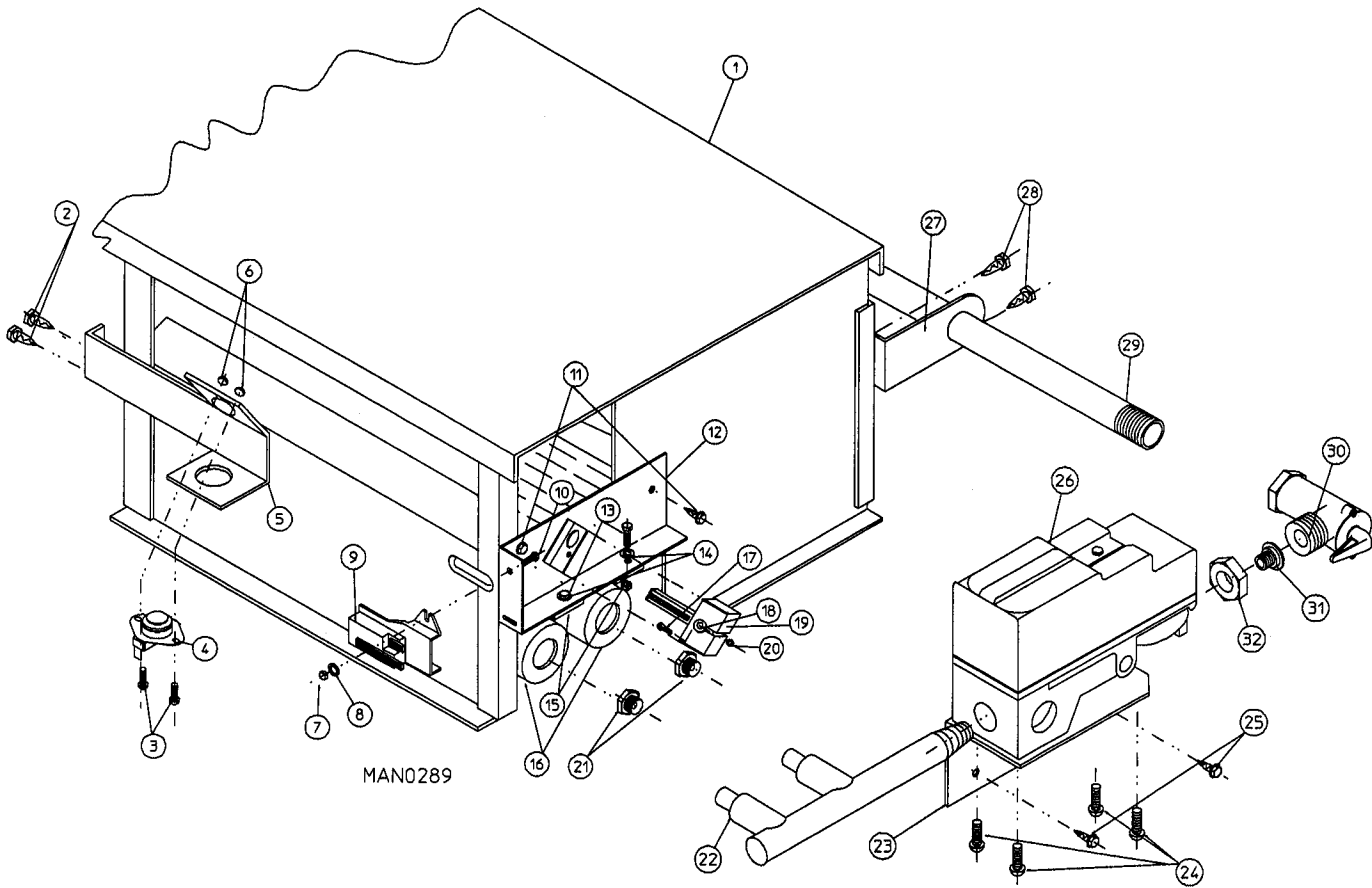
for Glo-Bar Ignition Models ONLY



for Glo-Bar Ignition Models ONLY

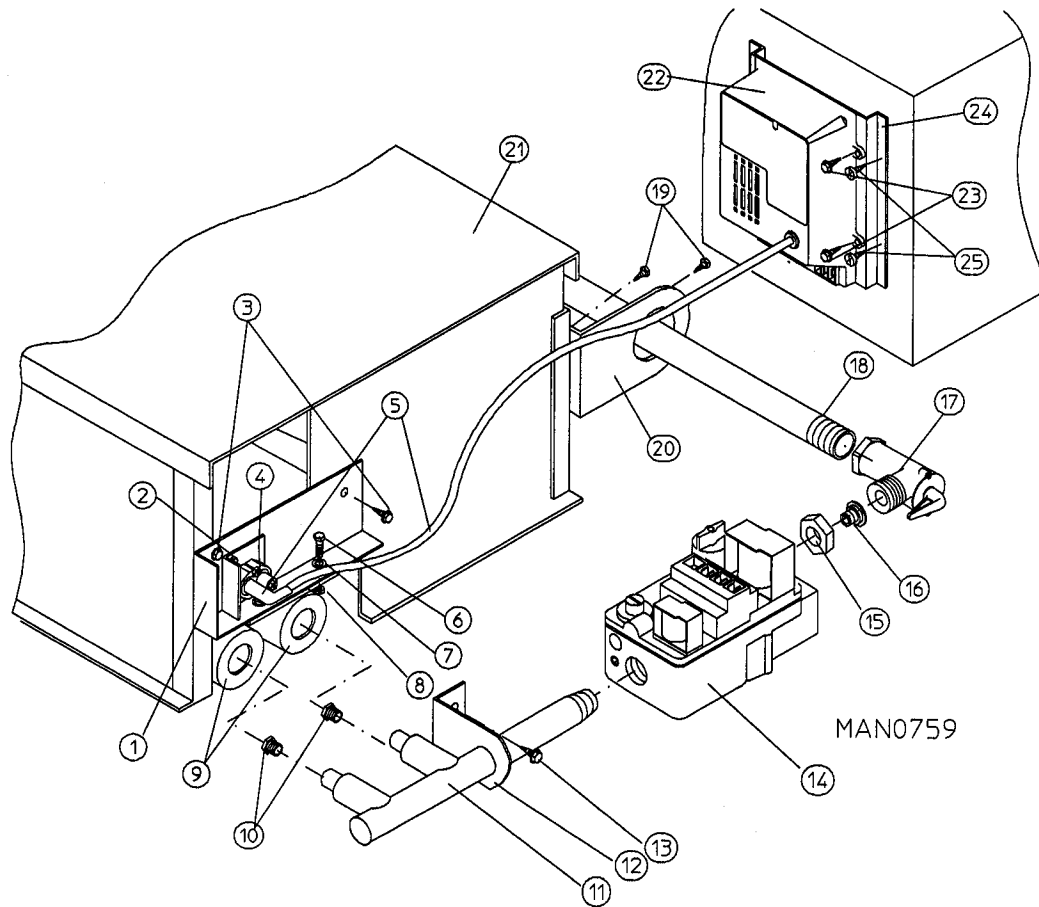
<u>Illus. No.</u>	<u>Part No.</u>	<u>Qty.</u>	<u>Description</u>
1	-----	1	Standard Non-Hi/Lo Burner Assembly Complete less Orifices (includes illus. nos. 1 through 20 and 22 through 32) Refer to Glo-Bar Burner Assembly Listing on page 76
	804003	1	Non-Heat Reclaimer Burner Box ONLY
2	150415	2	#10-16 x 1/2" Phillips Round Head Crimptite Screw
3	150001	2	#6-32 x 1/2" Round Head Machine Screw
4	130401	1	330° Hi-Limit ONLY
5	319704	1	Hi-Limit Mounting Bracket
6	151000	2	#6-32 Pal Nut
7	152001	1	#8-32 Hex Nut
8	153012	1	#8 Star Washer
9	130500	1	IR Sensor ONLY
10	150108	1	#8-32 x 1/2" Pan Head Machine Screw
11	150415	2	#10-16 x 1/2" Phillips Round Head Crimptite Screw
12	802705	1	IR/Glo-Bar Mounting Bracket ONLY
13	150108	2	#8-32 x 1/2" Pan Head Machine Screw
14	153000	2	#8 Steel Burr
15	151001	2	#8-32 Pal Nut
16	141104	2	Small Tube Burner
17	150002	1	#6-32 x 1" Round Head Machine Screw
18	153017	1	#6 Steel Burr
19	128910	1	Glo-Bar ONLY
20	151000	1	#6-32 Pal Nut
21	-----	2	Burner Orifice (refer to Glo-Bar Burner Orifice Listing on page 76)
22	141206	1	3/8" Swage Manifold ONLY
23	319501	1	3/8" Valve Mounting Bracket ONLY
24	150301	3	#8-18 x 7/16" Phillips Pan Head TEK Screw
25	150415	2	#10-16 x 1/2" Phillips Round Head Crimptite Screw
26	140004	1	3/8" Glo-Bar (natural gas) Gas Valve
	140402	1	3/8" Valve (liquid propane) Conversion Kit
27	318700	2	Pipe Bracket (bent)
28	150415	4	#10-16 x 1/2" Phillips Round Head Crimptite Screw
29	142800	1	1/2" x 18" Pipe
30	141305	1	Union Shut-Off Body ONLY
31	141304	1	3/8" Union Tail Piece ONLY
32	141325	1	Tail Piece Collar ONLY
---	-----	1	Conversion Kit (refer to Glo-Bar L.P. Conversion Kit Listing on page 76)

for Glo-Bar Ignition Models ONLY



for Glo-Bar Ignition Models ONLY

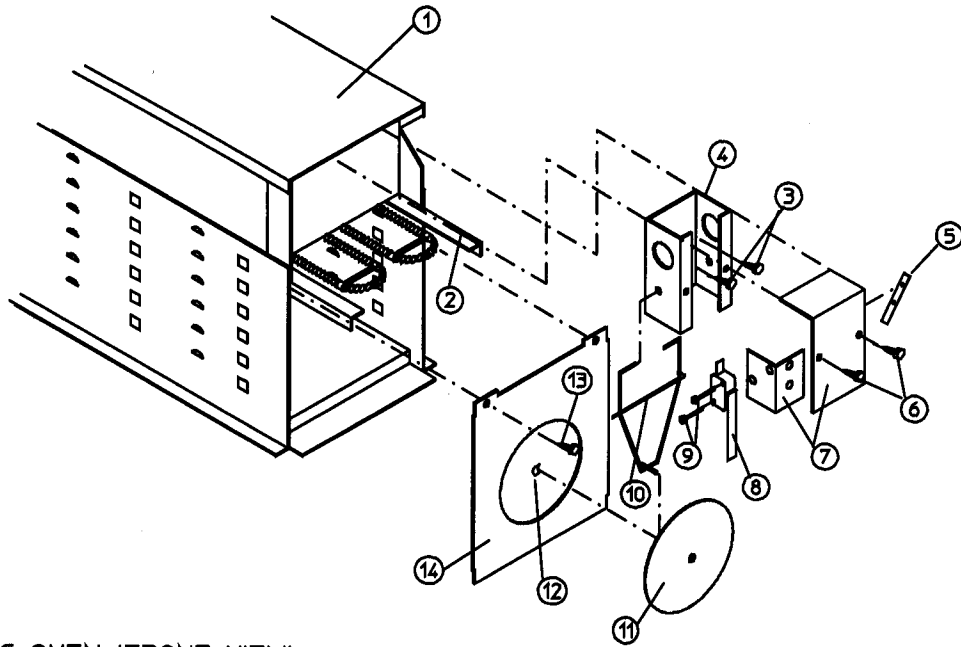
Illus. No.	Part No.	Qty.	Description
1	-----	1	Hi/Lo Burner Assembly Complete less Orifices (includes illus. nos. 1 through 20 and 22 through 32) Refer to Glo-Bar Burner Assembly Listing on page 76
	804006	1	Heat Reclaimer Burner Box ONLY
2	150415	2	#10-16 x 1/2" Phillips Round Head Crimptite Screw
3	150001	2	#6-32 x 1/2" Round Head Machine Screw
4	130401	1	330° Hi-Limit ONLY
5	319704	1	Hi-Limit Mounting Bracket
6	151000	2	#6-32 Pal Nut
7	152001	1	#8-32 Hex Nut
8	153012	1	#8 Star Washer
9	130500	1	IR Sensor ONLY
10	150108	1	#8-32 x 1/2" Pan Head Machine Screw
11	150415	2	#10-16 x 1/2" Phillips Round Head Crimptite Screw
12	802705	1	IR/Glo-Bar Mounting Bracket ONLY
13	150108	2	#8-32 x 1/2" Pan Head Machine Screw
14	153000	2	#8 Steel Burr
15	151001	2	#8-32 Pal Nut
16	141104	2	Small Tube Burner
17	150002	1	#6-32 x 1" Round Head Machine Screw
18	153017	1	#6 Steel Burr
19	128910	1	Glo-Bar ONLY
20	151000	1	#6-32 Pal Nut
21	-----	2	Burner Orifice (refer to Glo-Bar Burner Orifice Listing on page 76)
22	141206	1	3/8" Swage Manifold ONLY
23	319501	1	3/8" Valve Mounting Bracket ONLY
24	150301	3	#8-18 x 7/16" Phillips Pan Head TEK Screw
25	150415	2	#10-16 x 1/2" Phillips Round Head Crimptite Screw
26	140009	1	3/8" Hi/Lo (natural gas) Gas Valve
	800038	1	3/8" Hi/Lo (liquid propane) Gas Valve
27	318700	2	Pipe Bracket (bent)
28	150415	4	#10-16 x 1/2" Phillips Round Head Crimptite Screw
29	142800	1	1/2" x 18" Pipe
30	141305	1	Union Shut-Off Body ONLY
31	141304	1	3/8" Union Tail Piece ONLY
32	141325	1	Tail Piece Collar ONLY
---	-----	1	Conversion Kit (refer to Glo-Bar L.P. Conversion Kit Listing on page 76)



DSI Module may be mounted on the left outside wall of the control box (as shown) or may be mounted on the inside of the left side panel.

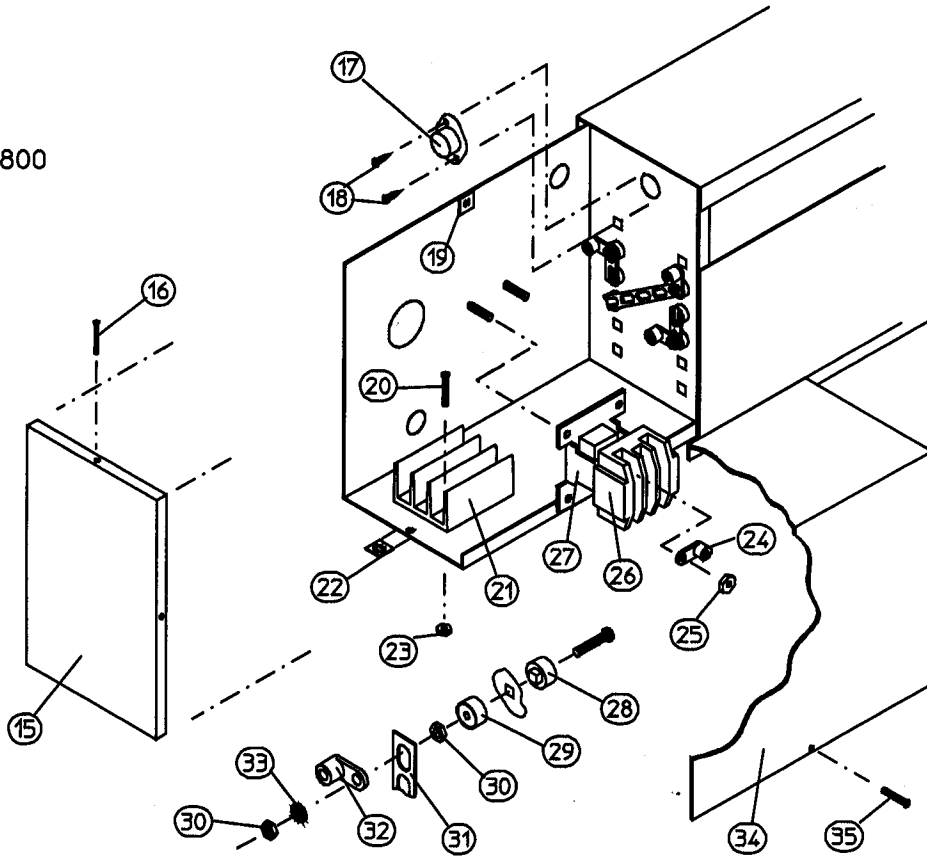
Illus. No.	Part No.	Qty.	Description
1	318030	1	DSI Burner Shield ONLY
2	150300	2	#10 x 1/2" Hex Washer TEK Screw
3	150415	2	#10-16 x 1/2" Phillips Round Head Crimptite Screw
4	128915	1	DSI Ignitor/Flame Probe Assembly (for models mfd. as of September 4, 1990)
	880134	1	Ignitor/Flame Probe Kit Assembly (includes illus. nos. 4, 5, and 6)
	128925	1	DSI Ignitor/Flame Probe Assembly (for models mfd. prior to September 4, 1990)
5	880330	1	High Voltage (HV) Wire and Connector Assembly
6	150103	2	#8-32 x 1/2" Pan Head Machine Screw
7	153000	2	#8 Steel Burr
8	151001	2	#8-32 Pal Nut
9	141104	2	Small Tube Burner ONLY
10	-----	2	Burner Orifice (refer to DSI Burner Orifice Listing on page 77)
11	141230	1	1/2" DSI Manifold (2-Port)
12	318700	1	Pipe Bracket (bent)
13	150300	2	#10 x 1/2" Hex Washer TEK Screw
14	128927	1	1/2" 24V AC Redundant Gas Valve (natural gas)
	140411	1	1/2" Valve Conversion Kit (liquid propane)
15	141325	1	Tail Piece Collar ONLY
16	141303	1	1/2" Union Tail Piece ONLY
17	141305	1	Union Shut-off Body ONLY
18	142800	1	1/2" x 18" Pipe
19	150415	4	#10-16 x 1/2" Phillips Round Head Crimptite Screw
20	318700	2	Pipe Bracket (bent)
21	850850	1	Non-Heat Reclaimer Burner Box ONLY
	-----	1	Burner Assembly Less Orifice Complete (refer to DSI Burner Assembly Listing on page 77)
22	880815	1	ADC DSI Module ONLY (50/60 Hz)
23	150299	4	#10 x 1" Hex Washer TEK Screw
24	319505	1	DSI Module Bracket
25	150301	*	#8 x 7/16" Phillips Pan Head TEK Screw
---	-----	1	Conversion Kit (refer to DSI L.P. Conversion Kit Listing on page 77)
---	410001	1	1/2" Allen Wrench

* As required.



ELECTRIC OVEN (FRONT VIEW)

MAN0800



ELECTRIC OVEN (REAR VIEW)

<u>Illus. No.</u>	<u>Part No.</u>	<u>Qty.</u>	<u>Description</u>
1	803000	1	Small Electric Oven Box ONLY
	-----	1	Electric Oven Assembly Complete (refer to Electric Oven Chart on page 64)
2	-----	-	Electric Element (refer to Electric Oven Chart on page 64)
3	150300	2	#10 x 1/2" Hex Washer TEK Screw
4	802800	1	Sail Switch Box with Cover and Bracket ONLY
	802801	1	Sail Switch Box Assembly Complete (includes illus. nos. 4 through 12)
5	154004	1	Twin Speed Nut
6	150415	2	#10-16 x 1/2" Phillips Round Head Crimptite Screw
7	802799	1	Sail Switch Cover and Bracket ONLY
8	122200	1	Sail Switch ONLY
9	150303	2	#4 x 3/4" Pan Head "A" Machine Screw
10	105500	1	Sail Switch Actuator Rod
11	319202	1	Sail Switch Damper (flat)
12	154002	1	1/8" Push-On Fastener
13	150300	2	#10 x 1/2" Hex Washer TEK Screw
14	803100	1	Electric Oven Front Cover ONLY
15	321000	1	Large Relay Box Cover ONLY
16	150402	2	#10-24 x 5/8" Slotted Truss Head Machine Screw
17	130400	1	290° Hi-Limit ONLY
18	150300	2	#10 x 1/2" Hex Washer TEK screw
19	154001	2	#10-24 Speed Nut
20	150103	2	#8-32 x 3/4" Round Head Machine Screw
21	120704	-	Terminal Block (refer to Electric Oven Chart on page 64)
22	154001	2	#10-24 Speed Nut
23	152001	2	#8-32 Hex Nut
24	121010	1	L-70 Ground Lug
25	152014	3	1/4-20 Free Spin Wash Nut
26	-----	1	Oven Relay (refer to Electric Oven Chart on page 64)
27	-----	1	Oven relay Replacement Coil (refer to Electric Oven Chart on page 64)
28	120081	-	Internal Ceramic Insulator (2 per element)
29	120080	-	External Ceramic Insulator (2 per element)
30	152008	-	#10-32 Hex Nut (4 per element)
31	121011	-	Buss Bar (refer to Electric Oven Chart on page 64)
32	-----	-	Terminal Lug (refer to Electric Oven Chart on page 64)
33	153009	-	#10 Star Washer (2 per element)
34	321300	1	Small Electric Oven Right Side Cover ONLY
35	150402	2	#10-24 x 5/8" Slotted Truss Head Machine Screw

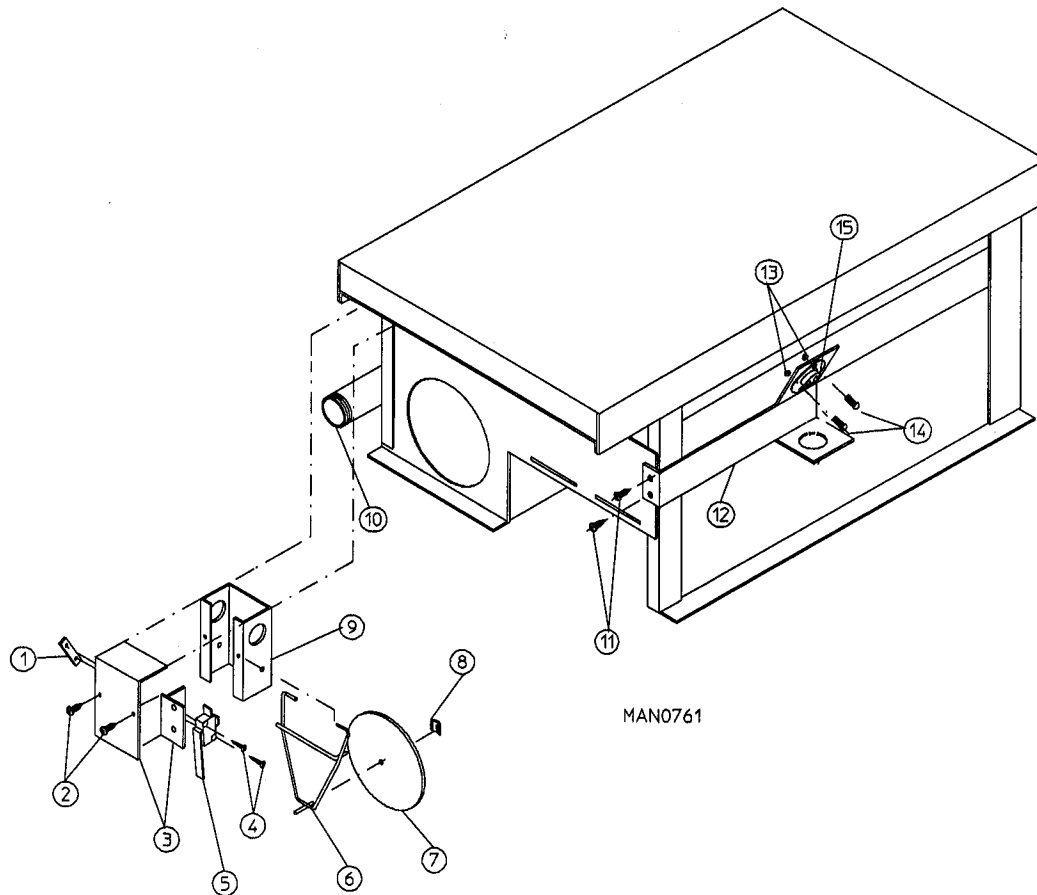
AD-15

KW	VOLT	PHASE	WIRE	OVEN ASSY PART NO.*	ELEMENTS			OVEN WIRE			TERMINAL LUG		BUSS BAR P/N 121011	T. BLOCK P/N 120704	OVEN RELAY		RELAY COIL PART NO.
					QTY	KW	PART NO.	QTY	SIZE	PART NO.	QTY	PART NO.			CAT. NO.	PART NO.	
18	460/480	3	3 or 4	815700	6	3	120007	3	#10	133000	4	121010	2	BEAG	131311	131809	
18	416	3	3 or 4	815500	6	3	120006	3	#10	133000	4	121010	2	BEAG	131311	131809	
18	240	3	3	815302	6	3	120007	5	#8	133100	4	121010	2	BEAG	131303	131809	
18	240	1	2	815202	6	3	120007	2	#4	133300	2	121012	2	FEAG	131309	131811	
18	208	3	3	815102	6	3	120006	5	#6	133200	4	121010	2	DEAF	131305	131809	
18	208	3	4	815102	6	3	120006	5	#6	133200	4	121010	2	DEAF	131304	131809	
18	208	3	2	815002	6	3	120006	2	#4	133000	2	121012	2	GEAG	131312	131811	
15	360	3	3 or 4	815400	6	3	120006	3	#10	133000	4	121010	2	BEAG	131311	131809	
15	240	1	2	815201	5	3	120007	2	#6	133200	3	121010	1	BEAG	131307	131809	
15	208	1	2	815001	5	3	120006	2	#4	133300	2	121012	1	FEAG	131309	131811	
12	240	3	3	815300	3	4	120009	3	#10	133000	4	121010	2	BEAG	131311	131809	
12	240	1	2	815200	3	4	120007	2	#6	133200	3	121010	1	BEAG	131311	131809	
12	208	3	3	815100	3	4	120008	3	#10	133000	4	121010	1	BEAG	131311	131809	
12	208	3	4	815100	3	4	120008	3	#10	133000	4	121010	1	BEAF	131310	131808	
12	208	1	2	815000	4	3	120006	2	#6	133200	3	121010	1	DEAG	131305	131809	

AD-25

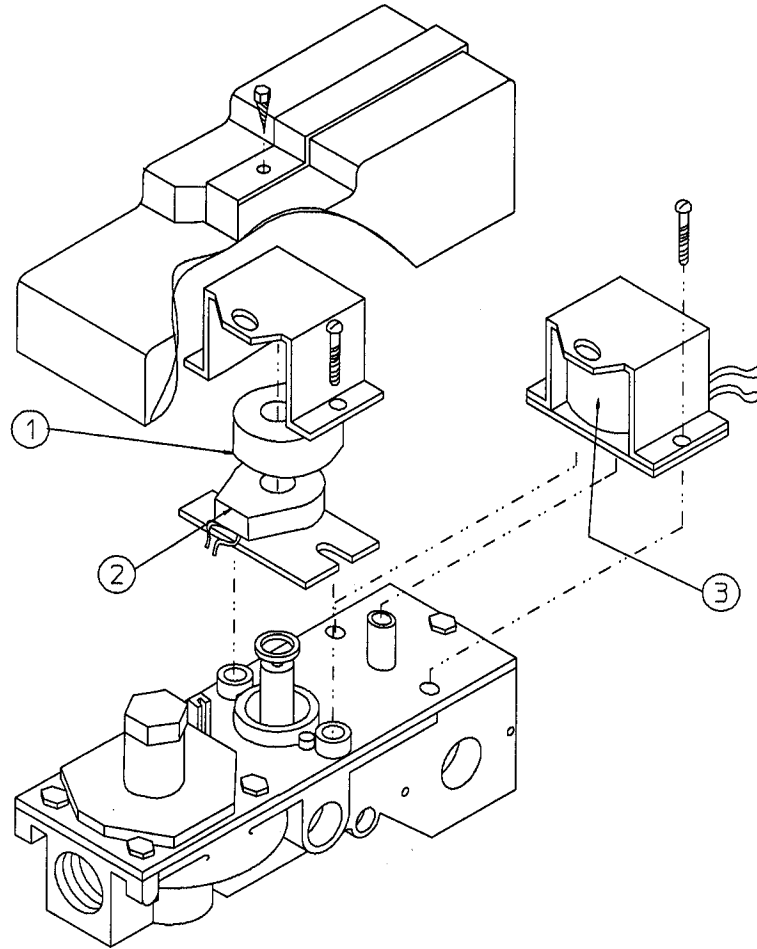
KW	VOLT	PHASE	WIRE	OVEN ASSY PART NO.*	ELEMENTS			OVEN WIRE			TERMINAL LUG		BUSS BAR P/N 121011	T. BLOCK P/N 120704	OVEN RELAY		RELAY COIL PART NO.
					QTY	KW	PART NO.	QTY	SIZE	PART NO.	QTY	PART NO.			CAT. NO.	PART NO.	
24	460/480	3	3 or 4	815701	6	4	120009	3	#10	133000	4	121010	2	BEAG	131311	131809	
24	416	3	3 or 4	815501	6	4	120008	3	#8	133100	4	121010	2	BEAG	131311	131809	
24	240	3	3	815303	6	4	120009	5	#10	133000	7	121010	1	BEAG	131311	131809	
24	208	3	3	815103	6	4	120008	5	#8	133100	7	121010	1	CEAG	131303	131809	
24	208	3	4	815103	6	4	120008	5	#8	133100	7	121010	1	CEAF	131302	131808	
20	380	3	3 or 4	815401	6	4	120008	6	#10	133000	4	121010	2	BEAG	131311	131809	
20	240	1	2	815204	5	4	120009	2	#4	133300	2	121012	2	FEAG	131309	131811	
20	208	1	2	815004	5	4	120008	2	#4	133300	2	121012	2	FEAG	131309	131811	
18	460/480	3	3 or 4	815700	6	3	120007	3	#10	133000	4	121010	2	BEAG	131312	131811	
18	416	3	3 or 4	815500	6	3	120006	3	#10	133000	4	121010	2	BEAG	131311	131809	
18	240	3	3 or 4	815302	6	3	120007	5	#8	133100	4	121010	2	BEAG	131311	131809	
18	240	1	2	815202	6	3	120007	2	#4	133300	2	121012	2	FEAG	131309	131811	
18	208	3	3	815102	6	3	120006	5	#6	133200	4	121010	2	DEAG	131305	131809	
18	208	3	4	815102	6	3	120006	5	#6	133200	4	121010	2	DEAF	131304	131808	
15	380	1	2	815002	6	3	120006	2	#4	133000	2	121012	2	GEAG	131312	131811	

* Oven assembly complete does not include oven relay or terminal block. These items must be ordered separately. When ordering oven assembly complete, specify 3 or 4 wire when applicable as well as if dryer has microprocessor or non-microprocessor controls.



Illus. No.	Part No.	Qty.	Description
1	154004	1	Twin Speed Nut
2	150415	2	#10-16 x 1/2" Phillips Round Head Crimptite Screw
3	802799	1	Sail Switch Box Cover and Bracket ONLY
4	150303	2	#4 x 3/4" Pan Head "A" Machine Screw
5	122200	1	Sail Switch ONLY
6	105500	1	Sail Switch Actuator Rod
7	319202	1	Sail Switch Damper (flat)
8	154002	1	1/8" push-On Fastener
9	802800	1	Sail Switch Box with Cover and Bracket ONLY
	802801	1	Sail Switch Box Assembly Complete (includes illus. nos. 1 through 9)
10	142809	1	1/2" x 29-1/8" Pipe
11	150415	2	#10-16 x 1/2" Phillips Round Head Crimptite Screw
12	319704	1	Hi-Limit Mounting Bracket ONLY
13	151000	2	#6-32 Pal Nut
14	151001	2	#6-32 x 1/2" Round Head Machine Screw
15	130401	1	330° Hi-Limit ONLY

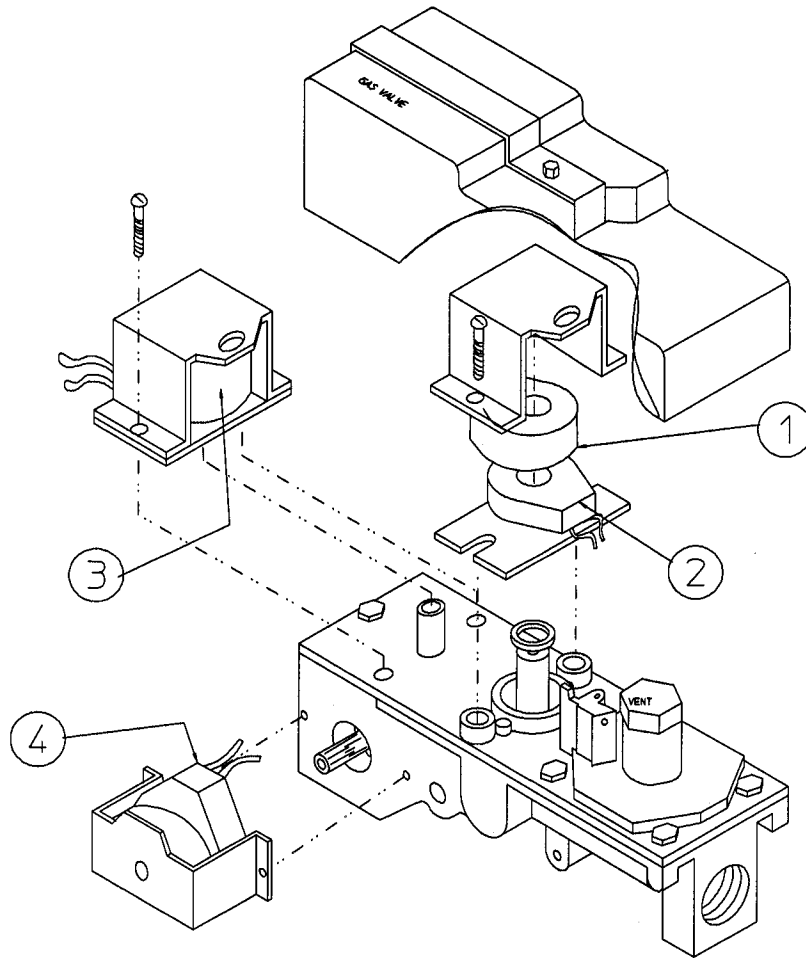
for Glo-Bar Ignition Models ONLY



MAN0185

<u>Illus. No.</u>	<u>Part No.</u>	<u>Qty.</u>	<u>Description</u>
1	140111	1	Holding Coil
2	140112	1	Booster Coil
3	140110	1	Secondary Coil

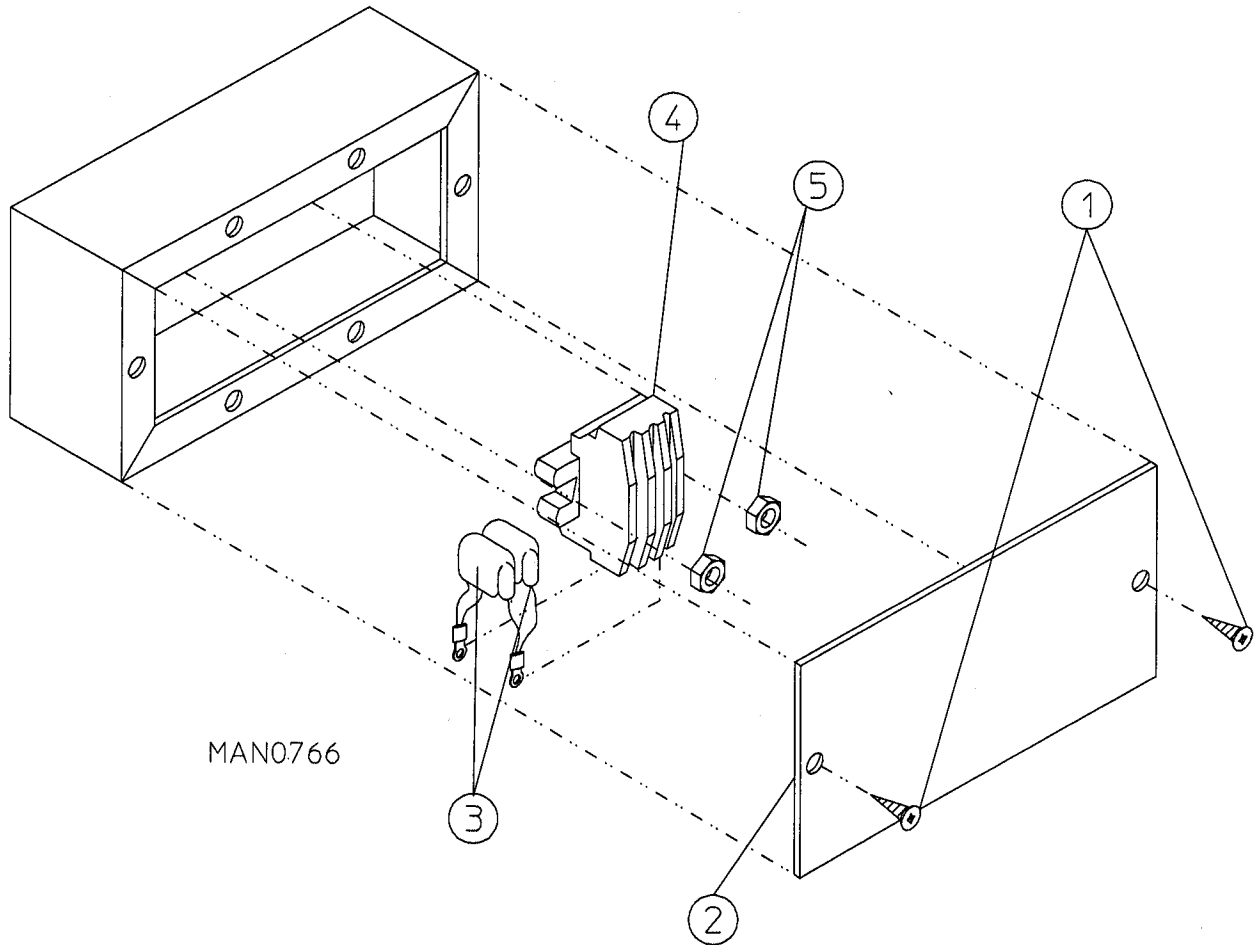
for Glo-Bar Ignition Models ONLY



MAN0096

Illus. No.	Part No.	Qty.	Description
1	140116	1	Holding Coil
2	140115	1	Booster Coil
3	140117	1	Secondary Coil
4	140118	1	Hi/Lo Coil

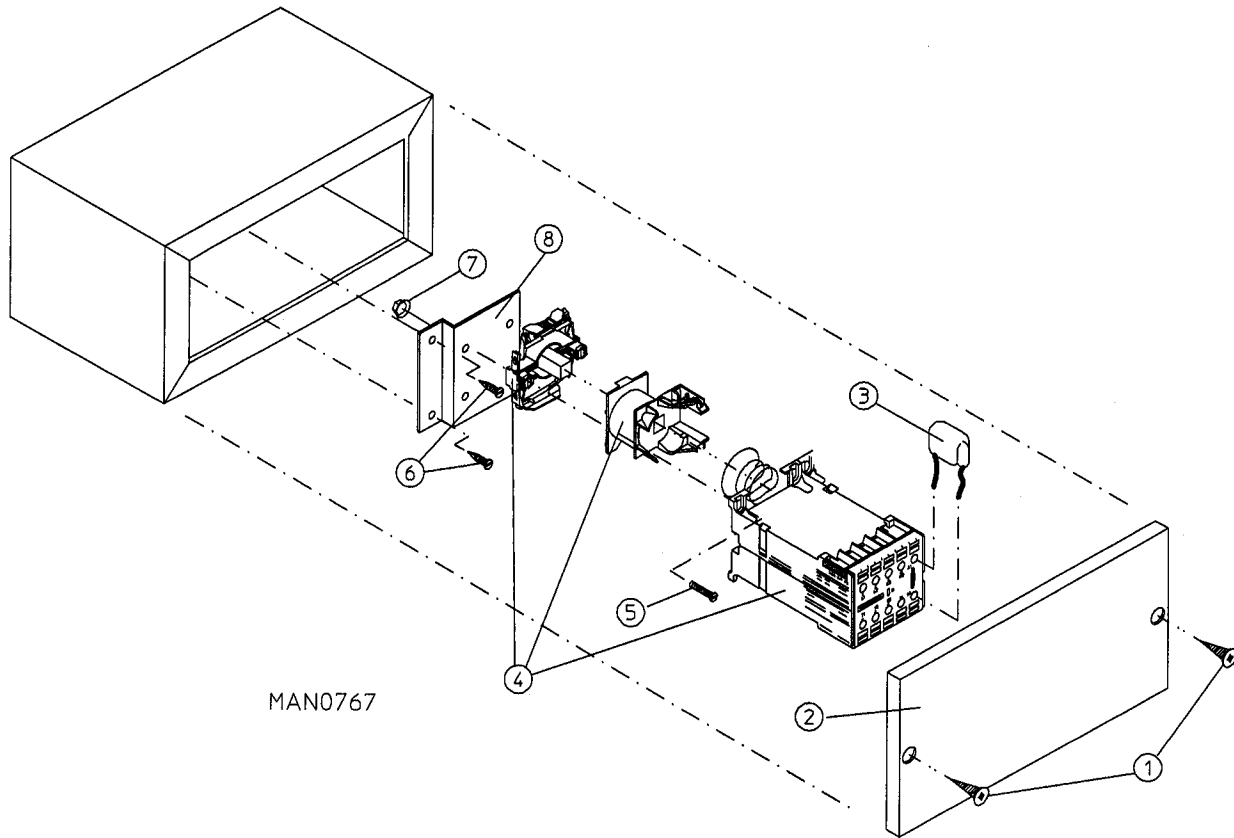
Furnas
208-230 VAC Controls ONLY



Illus. No.	Part No.	Qty.	Description
1	150415	6	#10-16 x 1/2" Phillips Round Head Crimptite Screw
2	311913	1	Service Box Cover Plate (9-7/8" x 4-3/8")
3*	880662	1	Dual RC Suppressor ONLY
4	132400	1	Impellor Contactor ONLY
5	151001	2	#8-32 Pal Nut

* Used on Computer Models ONLY.

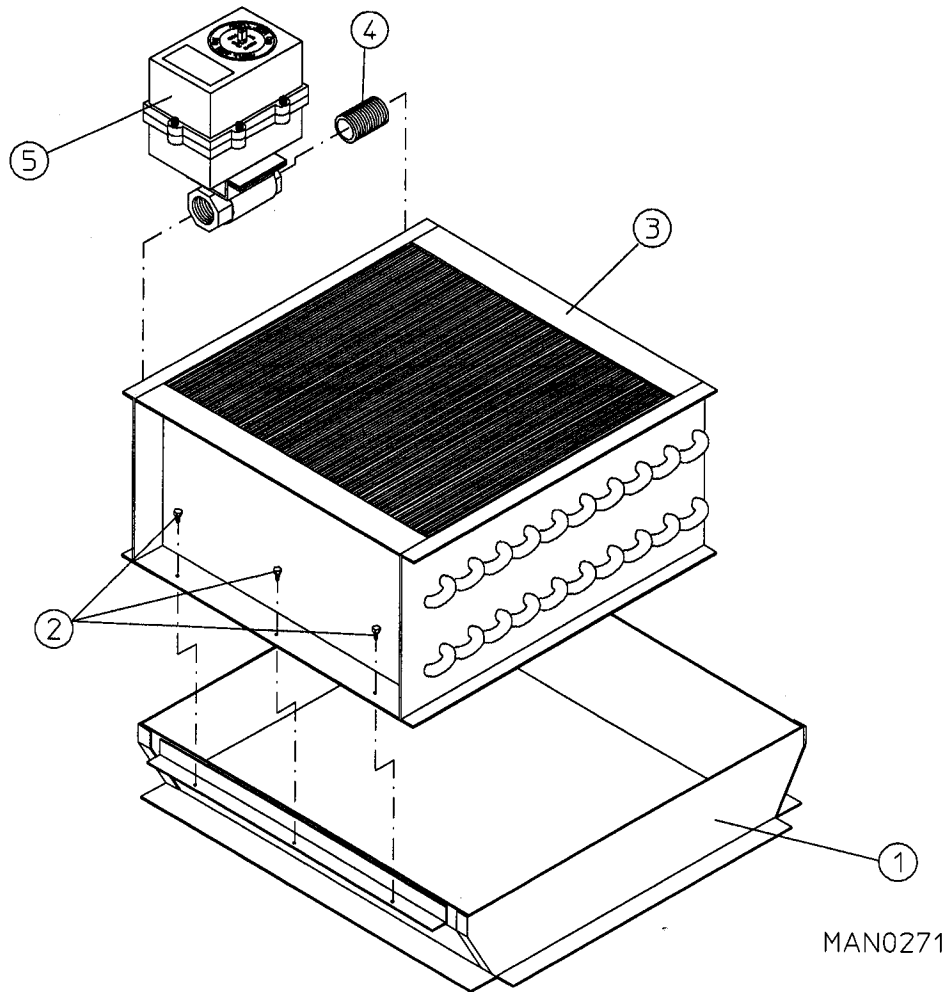
Telemecanique
208-230 VAC Controls ONLY



<u>Illus. No.</u>	<u>Part No.</u>	<u>Qty.</u>	<u>Description</u>
1	150415	6	#10-16 x 1/2" Phillips Round Head Crimptite Screw
2	311913	1	Service Box Cover Plate (9-7/8" x 4-3/8")
3*	137015	1	Arc Suppressor Capacitor ONLY
4	132425	1	Impellor Contactor (208/230/240v 50/60Hz)
	132427	1	Impellor Contactor Replacement Coil (208/230/240v 50/60Hz)
5	151000	4	#8-32 x 1/2" Round Head Machine Screw
6	150300	2	#10 x 1/2" Hex Washer TEK Screw
7	151001	4	#8-32 Pal Nut
8	311920	1	3-Phase Non-Reversing Contactor Mounting Bracket

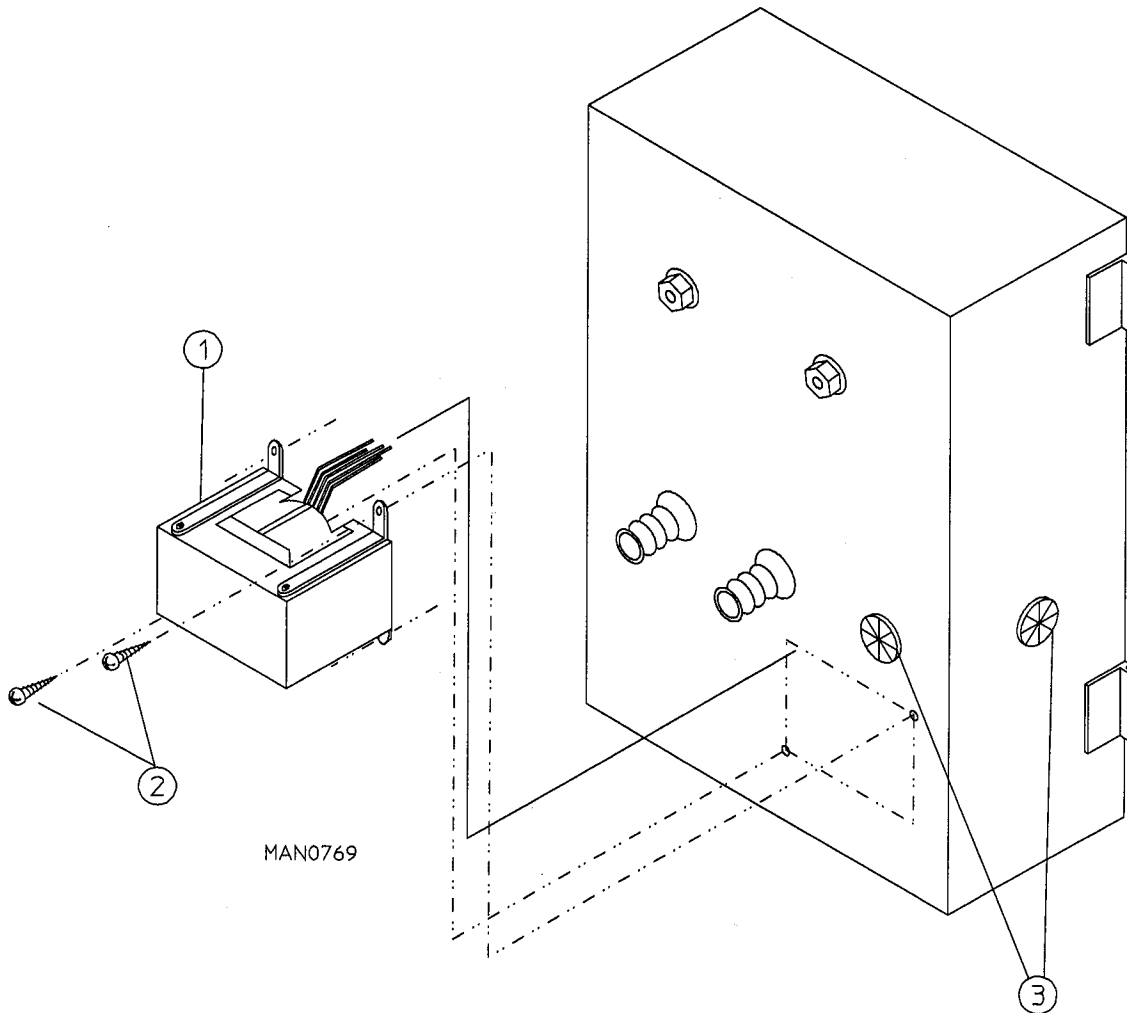
* Used on computer models ONLY.

Motorized and Solenoid Valve Type Models ONLY



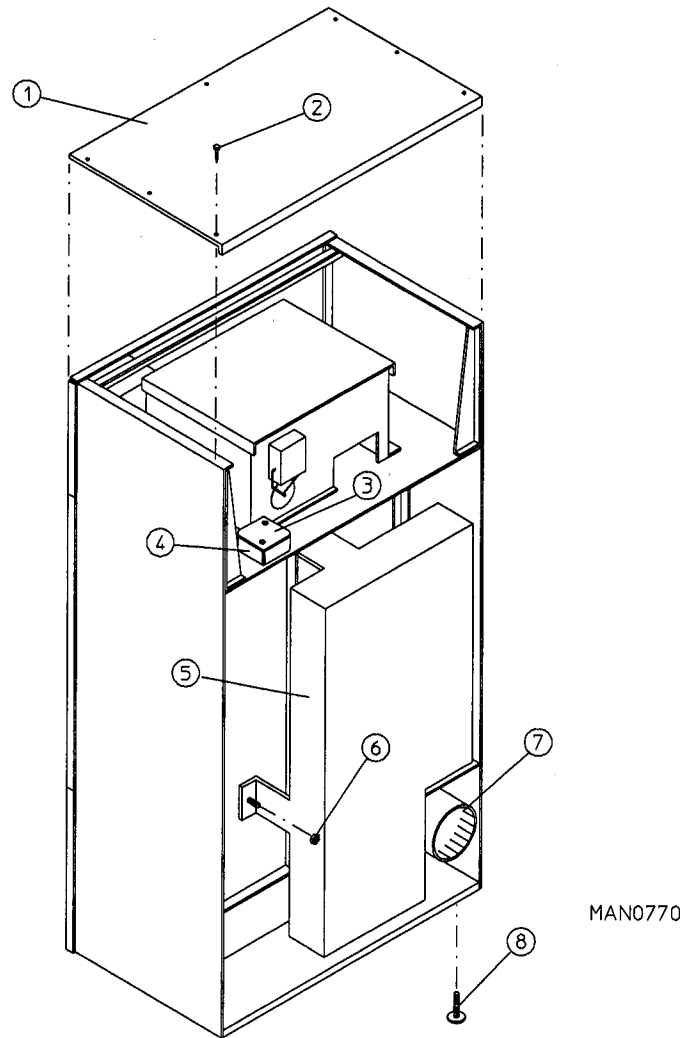
Illus. No.	Part No.	Qty.	Description
1	803502	1	Small Steam Rack (for High Pressure)
	803503	1	Small Steam Rack (for Low Pressure)
2	150300	6	#10 x 1/2" Hex Washer TEK Screw
3	165000	1	Small Steam Coil (for High Pressure)
	165001	1	Small Steam Coil (for Low Pressure)
4	142711	1	1" Closed Nipple
5	165107	1	1" Motorized Steam Valve (for High Pressure ONLY)
	165100	1	1" Solenoid Steam Valve 115v (for Low Pressure ONLY)

Glo-Bar and Steam High Pressure Motorized Steam Valve Models ONLY

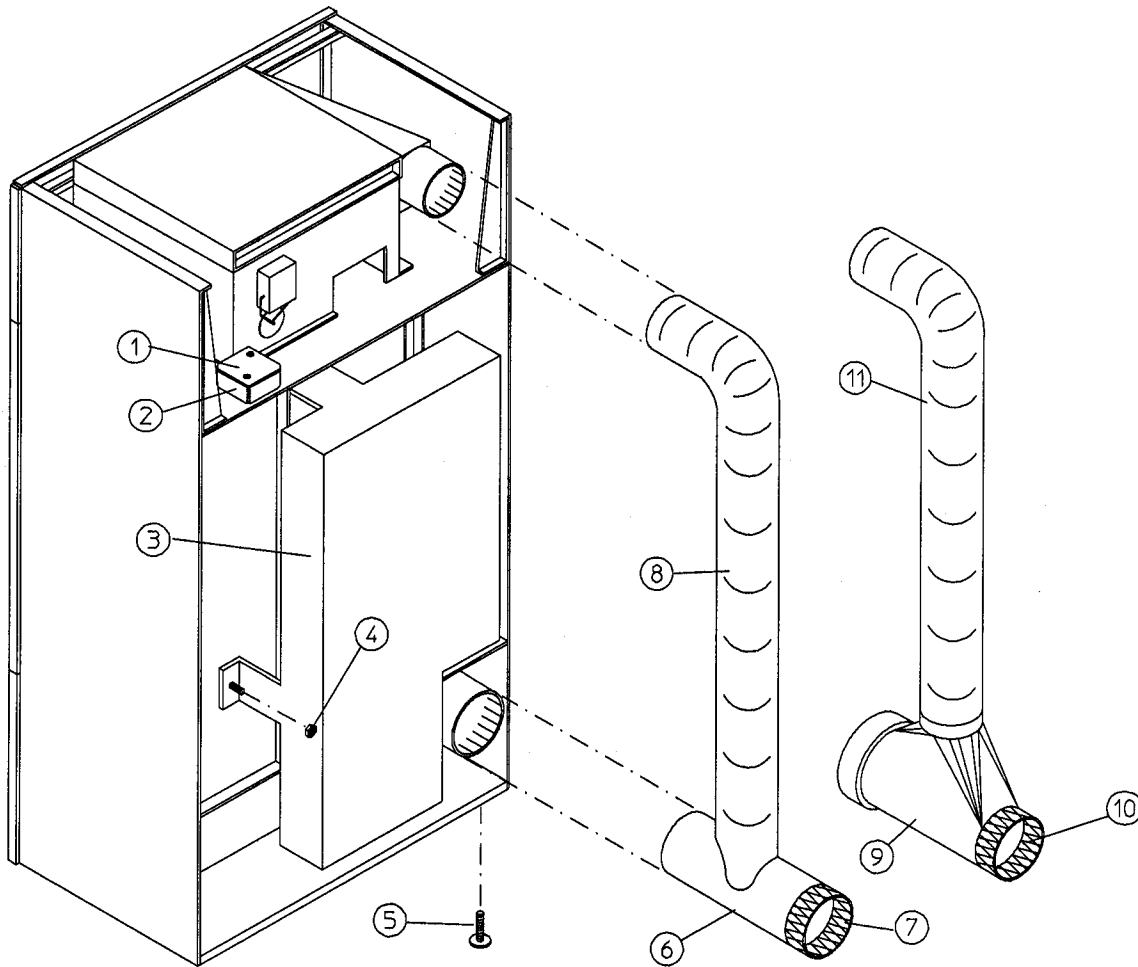


Illus. No.	Part No.	Qty.	Description
1*	132002	1	200-Watt Transformer 115v (terminals not included)
	880210	1	Terminal Package for GB Transformer
2	150415	2	#10-16 x 1/2" Phillips Round Head Crimptite Screw
3	121400	2	Universal Bushing

* Used on 208/230v models ONLY.



Illus. No.	Part No.	Qty.	Description
1	312512	1	Outer Top Assembly (for AD-15 Gas and Electric Models)
	312515	1	Outer Top Assembly (for ADG-25 Gas Models ONLY)
2	150300	7	#10 x 1/2" Hex Washer TEK Screw
3	121101	1	Junction Box Cover ONLY (for Gas and Steam Models ONLY)
4	121100	1	Junction Box ONLY (for Gas and Steam Models ONLY)
5	801520	1	Back Guard Assembly
6	152014	3	1/4-20 Free Spin Wash Nut
7	880500	1	6" Damper Replacement (for AD-15 Non-Heat Reclaimer Models ONLY)
	880501	1	8" Damper Replacement (AD-25 Non-Heat Reclaimer Models ONLY)
8	103500	4	Leveling Leg



MAN0280

Illus. No.	Part No.	Qty.	Description
1	121101	1	Junction Box Cover ONLY
2	121100	1	Junction Box ONLY
3	801520	1	Back Guard Assembly
4	152014	3	1/4-20 Free Spin Washnut
5	103500	4	Leveling Leg
6*	143513	1	ADG-15DH 6" x 6" x 5" Tee
7	880502	1	ADG-15DH 6" Replacement Damper Assembly
8	143514	1	ADG-15DH 5" Flexible Duct
9*	143501	1	ADG-25DH 8" x 6" x 6" Tee
10	880502	1	ADG-25DH 6" Replacement Damper Assembly
11	143509	1	ADG-25DH 6" Flexible Duct
---	117505	2	Aluminum Duct Tape (sold in feet)

* Damper assembly must be purchased separately.

Type Of Heat	Electric Service			Relay Board Part Numbers (Control Voltage)	
	VAC	Ø	Wire	115v	208/230v
Gas					
Glo-Bar Non-Hi/Lo	115	1	2	137077 or 137150	---
Glo-Bar Non-Hi/Lo	208/230	1	2	---	137079
Glo-Bar Non-Hi/Lo	208-480	3	3	---	137079
Glo-Bar Hi/Lo	115	1	2	137077 or 137150	---
Glo-Bar Hi/Lo	208/230	1	2	137077	---
Glo-Bar Hi/Lo	208-480	3	3	137077	---
Direct Spark Ignition	115	1	2	137076*	---
Direct Spark Ignition	208/230	1	2	---	137151
Direct Spark Ignition	208-480	3	3	---	137078
Electric					
15 KW through 30 KW	208/230	1	2	---	137151
	208-480	3	3	---	137078*
	208	3	4	137151	---
	380-480	3	4	---	137078*
Steam					
Low Pressure	115	1	2	137151	---
Low Pressure	208/230	1	2	---	137151
High Pressure	208-480	3	3	---	137078
High Pressure	115	1	2	137151	---
High Pressure	208/230	1	2	---	137151
High Pressure	208-480	3	3	---	137078

* May also use Solid State Relay Board (Part Number 137151)

IMPORTANT: Check Label on board to verify correct part number.

Note: Part Number 137151, solid state relay boards, can not be used with 3-phase (3Ø) motors.

Note: Coin acceptors listed include Optical Switch (Part No. 137056).

Single Coin

ADC Part No.	Nation	Description
125100	U.S. and Canada	25¢ Optic Coin Sensor
125127	Canada	\$1.00 Canadian Optic Coin Sensor
125101	United Kingdom	10 New Pence Optic Coin Sensor
125114	United Kingdom	20 New Pence Optic Coin Sensor
125115	United Kingdom	1 Pound English Optic Coin Sensor
125106	France	1 French Franc Optic Coin Sensor
125120	France	2 French Franc Optic Coin Sensor
125124	France	5 French Franc Optic Coin Sensor
125109	Denmark	1 Danish Krona Optic Coin Sensor
125125	Netherlands	.25¢ Guilder Optic Coin Sensor
125108	Australia	.10 Australian Optic Coin Sensor
125107	Australia	.50 Australian Optic Coin Sensor
125130	Australia	1.00 Australian Optic Coin Sensor
125123	New Zealand	.50 New Zealand Optic Coin Sensor
125104	Japan	100 Yen Optic Coin Sensor
125103	---	.882 Token Optic Coin Sensor
125121	---	.800 Token Optic Coin Sensor
125129	---	Muller Token Optic Coin Sensor

Dual Coin

ADC Part No.	Nation	Description
125116	U.S. and Canada	10¢/25¢ Dual Optic Coin Acceptor
125128	Canada	.25/\$1.00 Dual Optic Coin Acceptor
125112	United Kingdom	10/20 Pence Dual Optic Coin Acceptor
125110	United Kingdom	10/50 Pence Dual Optic Coin Acceptor
125111	United Kingdom	20/50 Pence Dual Optic Coin Acceptor
125113	United Kingdom	1 Pound/20 Pence Dual Optic Coin Acceptor
125122	France	2/5 Franc Dual Optic Coin Acceptor
125117	Denmark	1/5 Danish Krona Dual Optic Coin Acceptor
125131	Denmark	5/10 Danish Krona Dual Optic Coin Acceptor
125123	Netherlands	15/\$1 Guilder Dual Optic Coin Acceptor
125126	Netherlands	.25¢/\$1 Guilder Dual Optic Coin Acceptor
125118	Singapore	20/50 Singapore Dual Optic Coin Acceptor
125105	Japan	50/100 Yen Dual Optic Coin Acceptor

Glo-Bar Burner Orifice Listing*							
Model No.	Computer Controlled	Heat Reclaimer	Qty.	Natural Gas		L.P. Gas	
				D.M.S.	Part No.	D.M.S.	Part No.
ADG-15B	Yes	No	2	#42	140810	#54	140848
ADG-15B	No	No	2	#42	140810	#54	140848
ADG-15BH	Yes	Yes	2	#36	140816	#54	140848
ADG-15BH	No	Yes	2	#43	140809	#54	140848
ADG-25B	Yes	No	2	#32	140851	#50	140802
ADG-25B	No	No	2	#32	140851	#50	140802
ADG-25BH	Yes	Yes	2	#30	140819	#52	140800
ADG-25BH	No	Yes	2	#35	140849	#52	140800

* Consult factory for elevations over 2,000 feet.

Glo-Bar Burner Assembly Listing				
Model No.	Computer Controlled	Heat Reclaimer	Natural Gas Part No.	L.P. Gas Part No.
ADG-15B	Yes	No	808700	808800
ADG-15B	No	No	808700	808800
ADG-15BH	Yes	Yes	809589	809599
ADG-15BH	No	Yes	809538	809539
ADG-25B	Yes	No	808700	808800
ADG-25B	No	No	808700	808800
ADG-25BH	Yes	Yes	809590	809600
ADG-25BH	No	Yes	809540	809545

Glo-Bar L.P. Conversion Kit Listing*			
Model No.	Computer Controlled	Heat Reclaimer	Kit Part No.
ADG-15B	Yes	No	874005
ADG-15B	No	No	874005
ADG-15BH	Yes	Yes	874006
ADG-15BH	No	Yes	874005
ADG-25B	Yes	No	874007
ADG-25B	No	No	874007
ADG-25BH	Yes	Yes	874009
ADG-25BH	No	Yes	874008

* Consult factory for elevations over 2,000 feet.

DSI Burner Orifice Listing*						
Model No.	Heat Reclaimer	Qty.	Natural Gas		L.P. Gas	
			D.M.S.	Part No.	D.M.S.	Part No.
ADG-15D	No	2	#42	140810	#54	140848
ADG-15DH	Yes	2	#43	140809	#54	140848
ADG-25D	No	2	#32	140851	#50	140802
ADG-25DH	Yes	2	#34	140852	#51	140801

* Consult factory for elevations over 2,000 feet.

DSI Burner Assembly Listing				
Model No.	Btu/Hr. Rating	Heat Reclaimer	Natural Gas Part No.	L.P. Gas Part No.
ADG-15D	50,000	No	809640	809641
ADG-15DH	47,000	Yes	809642	809643
AD-25D	78,000	No	809640	809641
AD-25DH	70,000	Yes	809638	809639

Notes: 1. Burner assemblies do not include burner orifices. They must be ordered separately.
 2. When ordering burner assemblies, specify model number and if computer or non-computer controls.

DSI L.P. Conversion Kit Listing*	
Model No.	Kit Part No.
ADG-15D	874051
ADG-15DH	874051
ADG-25D	874052
ADG-25DH	874053

* Consult factory for elevations over 2,000 feet.

<u>Part Number</u>	<u>Description</u>
112027	"Water Washed Fabrics" Label
112039	"Black / White / Green Ground" Label
112040	"Lint Compartment" Label
112041	"Caution-Exhausted" Label
112530	"Program Location Summary" Coin Label
112531	"Phase 3 O.P.L. Program Location Summary" Label
120100	3/8 Straight BX Connector
120200	3/8-90° BX Connector
120300	3/8-45° BX Connector
120400	3/8 Red Jacket BX Insulator
120500	3/8 Jiffy Clip BX Retainer Clip
120600	3/8 Greenfield BX
120800	1/4" In-line connector
120802	Red Butt Connector
120902	#74B Wire Nut
120903	Crimp-on Wire Nut
121006	#10 Insulated Ring Terminal
121014	1/4" Insulated (female) Terminal
121026	Tab Receptacle Combination
121499	4" harness Tie
121500	7" Harness Tie
121503	Harness Tie Mounting Clip
122804	Manometer (water column test gauge)
404500	Almond Brush-In-Cap Bottle Touch-Up Paint
404502	White Brush-In-Cap Bottle Touch-Up Paint
404506	Beige Brush-In-Cap Bottle Touch-Up Paint
404507	Cornflower Blue Brush-In-Cap Bottle Touch-Up Paint
880200	Electrical Terminal (assortment) Kit

ADC 450095 1-----09/89-250 2-----06/90-250 3-02/25/92-100
4*-12/13/95-200

