



**AD-15/AD-25 Parts Manual  
24 VAC Phase 5  
1992 thru June 30, 2002**

---

---

**American Dryer Corporation**  
88 Currant Road  
Fall River, MA 02720-4781  
Telephone: (508) 678-9000 / Fax: (508) 678-9447  
E-mail: [techsupport@amdry.com](mailto:techsupport@amdry.com)  
[www.amdry.com](http://www.amdry.com)

# Retain This Manual In A Safe Place For Future Reference

American Dryer Corporation products embody advanced concepts in engineering, design, and safety. If this product is properly maintained, it will provide many years of safe, efficient, and trouble free operation.

*ONLY qualified technicians should service this equipment.*

**OBSERVE ALL SAFETY PRECAUTIONS** displayed on the equipment or specified in the installation manual included with the dryer.

The following “**FOR YOUR SAFETY**” caution **must be** posted near the dryer in a prominent location.

**FOR YOUR SAFETY**

Do not store or use gasoline or other flammable vapors and liquids in the vicinity of this or any other appliance.

**POUR VOTRE SÉCURITÉ**

Ne pas entreposer ni utiliser d'essence ni d'autres vapeurs ou liquides inflammables à proximité de cet appareil ou de tout autre appareil.

We have tried to make this manual as complete as possible and hope you will find it useful. **ADC** reserves the right to make changes from time to time, without notice or obligation, in prices, specifications, colors, and material, and to change or discontinue models.

## Important

For your convenience, log the following information:

**DATE OF PURCHASE** \_\_\_\_\_ **MODEL NO.** \_\_\_\_\_

**RESELLER'S NAME** \_\_\_\_\_

**Serial Number(s)** \_\_\_\_\_  
\_\_\_\_\_  
\_\_\_\_\_

Replacement parts can be obtained from your reseller or the **ADC** factory. When ordering replacement parts from the factory, you can FAX your order to **ADC** at (508) 678-9447 or telephone your order directly to the **ADC** Parts Department at (508) 678-9000. Please specify the dryer **model number** and **serial number** in addition to the **description** and **part number**, so that your order is processed accurately and promptly.

The illustrations on the following pages may not depict your particular dryer exactly. The illustrations are a composite of the various dryer models. Be sure to check the descriptions of the parts thoroughly before ordering.

**“IMPORTANT NOTE TO PURCHASER”**

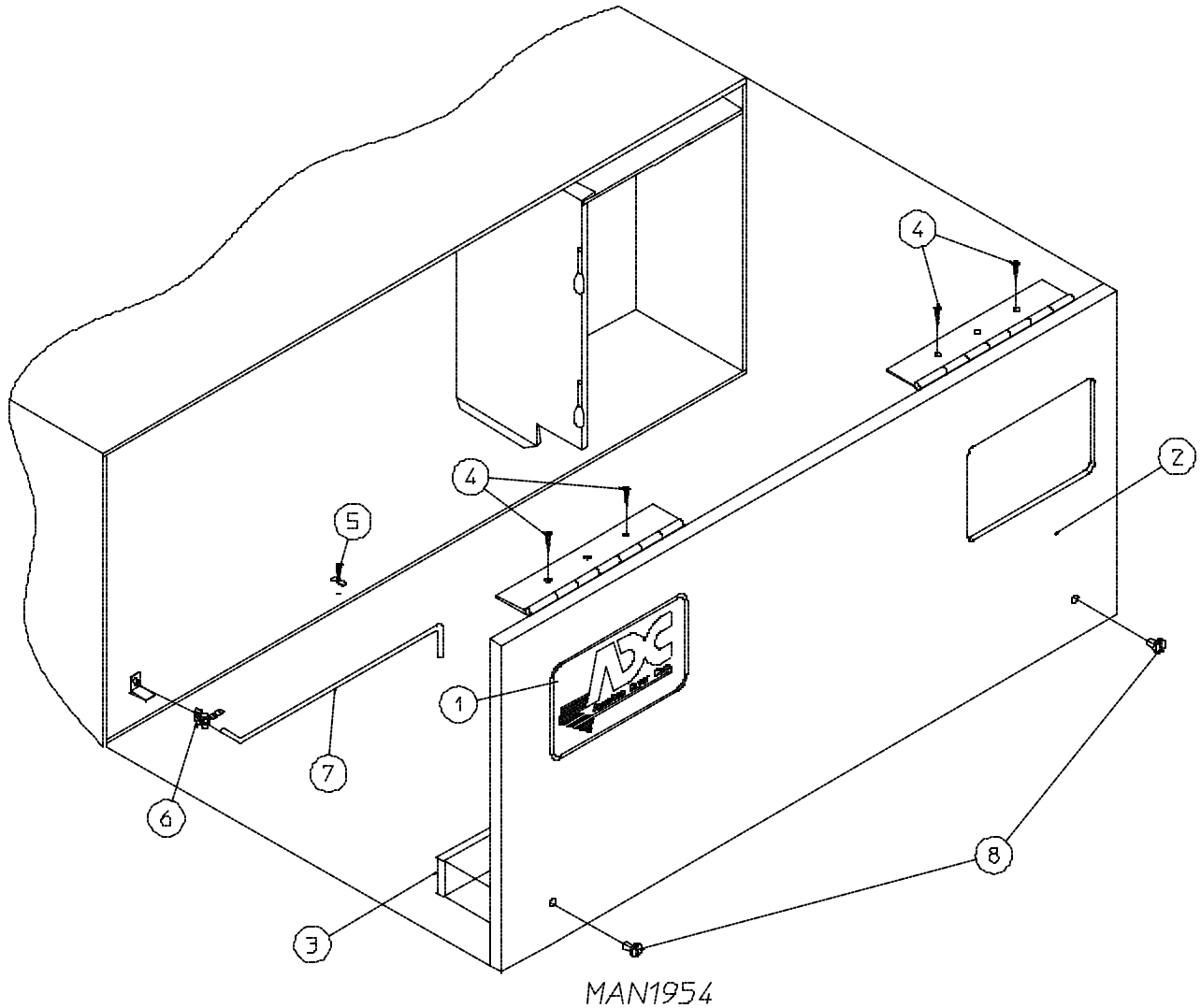
Information **must be** obtained from your local gas supplier on the instructions to be followed if the user smells gas. These instructions **must be** posted in a prominent location near the dryer.

# ***Table of Contents***

AD-15 Control Door Assembly Without Trim	
For OPL (Non-Coin) Models Mfd. as of July 19, 1999 .....	3
AD-25 Control Door Assembly Without Trim	
For OPL (Non-Coin) Models Mfd. as of November 11, 1998 .....	4
AD-15 High Security Control Door Assembly	
For <b><u>ALL</u></b> Coin Models	
For OPL Models Mfd. prior to July 19, 1999 .....	5
AD-25 High Security Control Door Assembly	
For <b><u>ALL</u></b> Coin Models	
For OPL Models Mfd. prior to November 11, 1998 .....	6
Phase 5 Coin Microprocessor Control Panel Assembly .....	7
Phase 5 OPL Microprocessor Control Panel Assembly .....	8
Phase 5 Coin and OPL Microprocessor Control Box Assembly .....	9
AD-15/AD-25 Control Vault Assembly .....	10
Dual Timer “Tap Touch” Controls	
For Models Mfd. as of November 3, 2000 .....	11
Dual Timer Control Panel Assembly	
For Models Mfd. prior to November 3, 2000 .....	12
Non-Microprocessor Coin Meter Control Panel Assembly	
For Models Mfd. as of January 25, 2002 .....	13
Non-Microprocessor Coin Meter Control Panel Assembly	
For Models Mfd. prior to January 25, 2002 .....	14
Non-Microprocessor Control Box Assembly .....	15
Slide Meter Case Assembly	
For Models Mfd. as of March 13, 2001 .....	16
Slide Meter Case Assembly	
For Models Mfd. Between January 13, 1995 and March 13, 2001 .....	17
Slide Meter Case Assembly	
For Models Mfd. prior to January 13, 1995 .....	18
Main Door “Steel” Assembly .....	19
Plastic Main Door Assembly .....	20
Main Door Switch Assembly Cold Rolled Steel (CRS) Door .....	21
Main Door Switch Assembly	
For Models with Plastic Doors .....	22
AD-15/AD-25 Cold Rolled Steel (CRS) Door Front Panel .....	23
AD-15/AD-25 Front Panel Assembly	
For Models with Plastic Doors .....	24
AD-15 Basket (Tumbler)/Support Assembly .....	25
AD-25 Basket (Tumbler)/Support Assembly .....	26

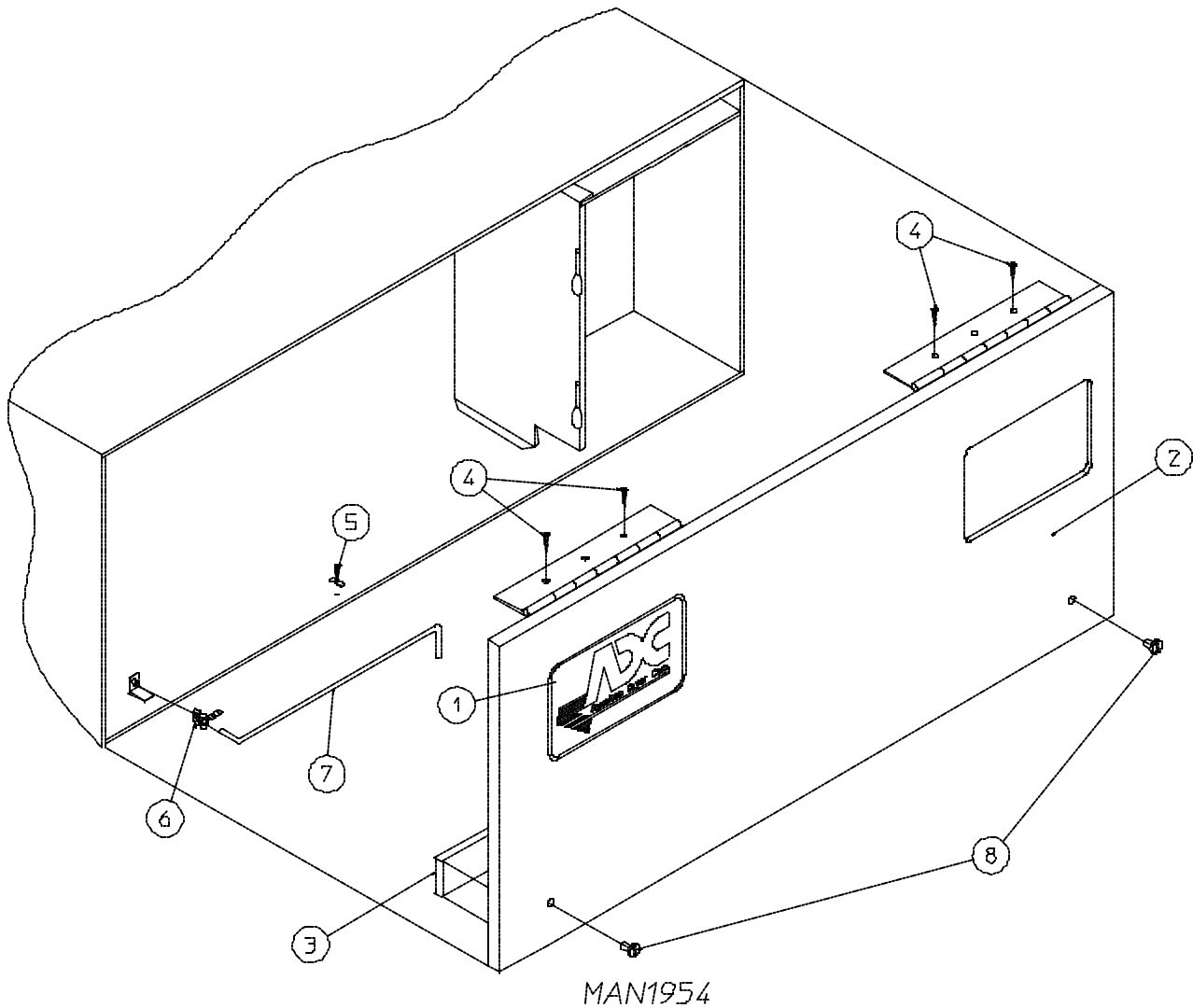
Drop Lint Door Assembly Without Trim	
For AD-15 OPL Models Mfd. as of July 24, 1999	
For AD-25 OPL Models Mfd. as of November 11, 1998 .....	27
Drop Lint Door Assembly With Trim	
For <b><u>ALL</u></b> Coin Models	
For AD-15 OPL Models Mfd. prior to July 24, 1999	
For AD-25 OPL Models Mfd. prior to November 11, 1998 .....	28, 29
AD-15/AD-25 Lint Trap Assembly .....	30
AD-15/AD-25 Basket (Tumbler) Bearing Assembly .....	31
AD-15/AD-25 Idler Bearing Assembly .....	32, 33
AD-15 Motor Mount Assembly .....	34, 35
AD-25 Motor Mount Assembly .....	36, 37
Sensor Bracket Assemblies .....	38, 39
ADG-15 Direct Spark Ignition (DSI) Burner Assembly	
For Models Mfd. as of May 20, 2000 .....	40, 41
ADG-25 Direct Spark Ignition (DSI) Burner Assembly	
For Models Mfd. as of May 20, 2000 .....	42, 43
ADG-15/ADG-25 Direct Spark Ignition (DSI) Burner Assembly	
For Models Mfd. prior to May 20, 2000 .....	44, 45
ADE-15/ADE-25 Electric Oven Assembly .....	46, 47
ADG-15/ADG-25 DSI Johnson Control Module Assembly	
For Models Mfd. as of May 20, 2000 .....	48
ADG-15/ADG-25 Sail Switch/Hi-Limit Assemblies .....	49
Single-Phase (1 $\phi$ ) Motor, Electric Relay Panel Assembly .....	50
3-Phase (3 $\phi$ ) Motor, Electric Relay Panel Assembly .....	51
Slide Meter Control Box Assembly	
For Models Mfd. as of January 13, 1995 .....	52
Slide Meter Control Box Assembly	
For Models Mfd. prior to January 13, 1995 .....	53
ADS-15/ADS-25 Steam Coil/Air-Operated Steam Damper Assembly .....	54, 55
ADS-15/ADS-25 Steam Coil/Mechanical Steam Damper Assembly .....	56, 57
AD-15/AD-25 Outer Top/Back Guard Assembly .....	58
ADG-15/ADG-25 Heat Reclaimer Assembly .....	59
Microprocessor Coin Acceptors Listing .....	60
Coin Meter Replacement Parts .....	61
AD-15/AD-25 Transformer Usage Listing for Gas/Steam Dryers .....	62
ADE-15/ADE-25 Transformer Usage Listing for Electric Dryers .....	63
ADE-15/ADE-25 Electric Oven Component Application Charts .....	64
AD-15/AD-25 DSI Burner Assembly Specifications .....	65
Additional Parts Available .....	66

For OPL (Non-Coin) Models Mfd. as of July 19, 1999



<u>Illus. No.</u>	<u>Part No.</u>	<u>Qty.</u>	<u>Description</u>
1	881053	1	<b>ADC Logo ONLY</b> (with double adhesive tape)
	870011	1	Logo Double Tape Kit
2	883097*	1	Control Door (includes illus. nos. 2 and 3)
3	117604	4	Neoprene Sponge Tape (sold by the foot)
4	150300	4	#10-16 x 1/2" Hex Washer TEK Screw
5	102603	1	Control Door Rod Support Catch
6	102601	1	Control Door Retainer Clip
7	102502	1	Control Door Support Rod
8	882541	2	Spring Turn Latch Assembly

\* Specify color when ordering.

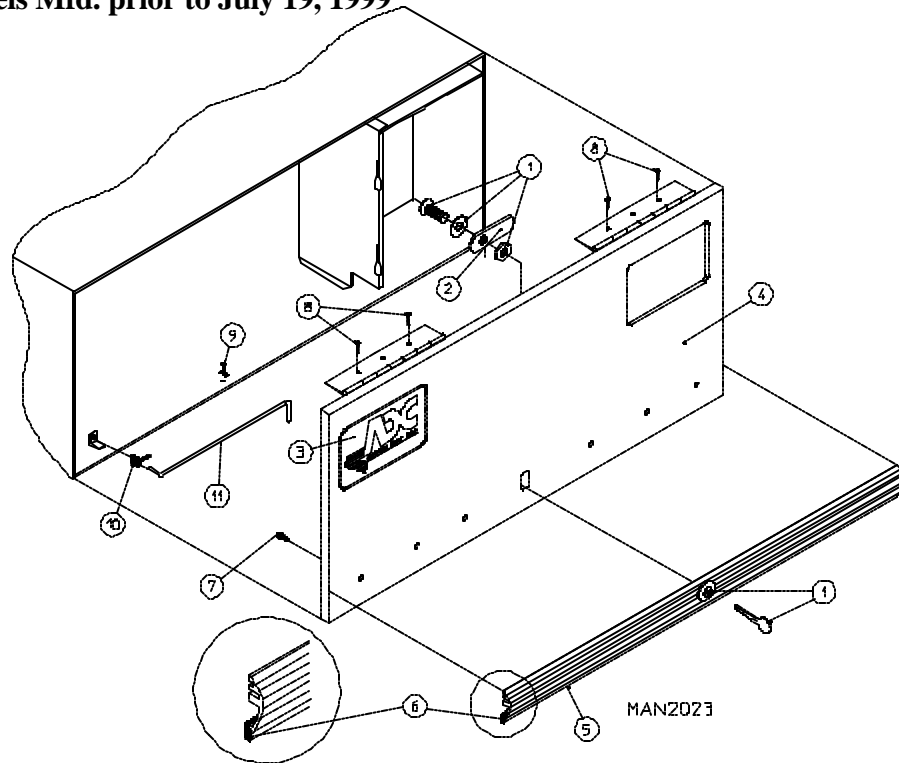


<u>Illus. No.</u>	<u>Part No.</u>	<u>Qty.</u>	<u>Description</u>
1	881053	1	<b>ADC Logo ONLY</b> (with double adhesive tape)
	870011	1	Logo Double Tape Kit
2	882265*	1	Control Door (includes illus. nos. 2 and 3)
3	117604	4	Neoprene Sponge Tape (sold by the foot)
4	150300	4	#10-16 x 1/2" Hex Washer TEK Screw
5	102603	1	Control Door Rod Support Catch
6	102601	1	Control Door Retainer Clip
7	102502	1	Control Door Support Rod
8	882541	2	Spring Turn Latch Assembly

\* Specify color when ordering.

For **ALL** Coin Models

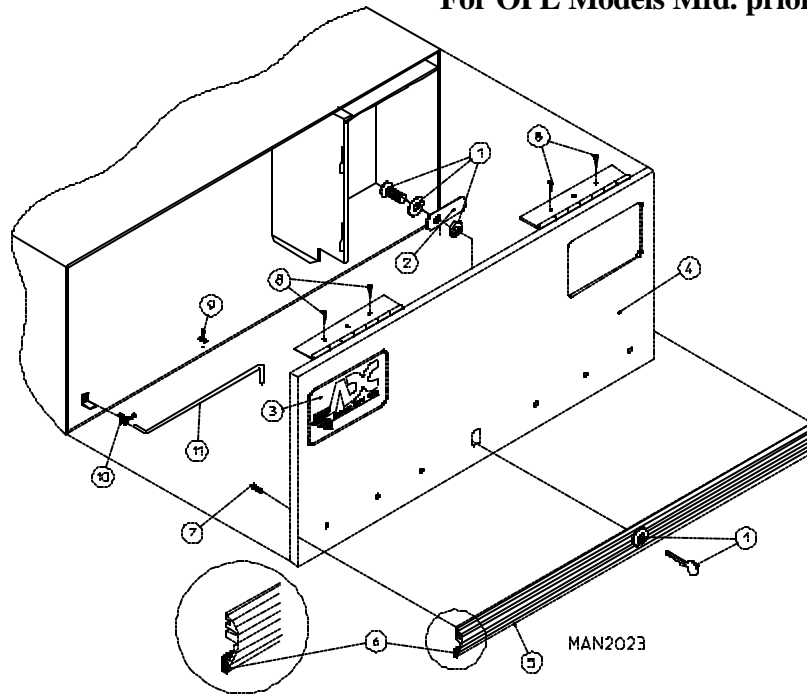
For **OPL** Models Mfd. prior to July 19, 1999



Illus. No.	Part No.	Qty.	Description
1	160015	1	High Security MK-100 Lock Assembly with Key (for coin models Only)
	160104	1	MK-100 Key ONLY
	160011	1	Special Dummy Lock ONLY (for non-coin models Only)
2	160016	1	Lock Cam ONLY
3	881053	1	<b>ADC</b> Logo with Tape
	870011	1	Double Sided Tape Kit
4	800023*	1	AD-15 High Security Control Door Assembly with Gray Trim (includes illus. nos. 4 through 7)
	883265*	1	AD-15 High Security Control Door Assembly with Black Trim (includes illus. nos. 4 through 7)
	800140	1	AD-15 High Security Stainless Steel Control Door Assembly with Gray Trim Less Lock (includes illus. nos. 4 through 7)
	801197	1	AD-15 High Security Stainless Steel Control Door with Black Trim (includes illus. nos. 4 through 7)
5	180200	1	AD-15 Top Gray Trim Strip with Lock Hole
	180300	1	AD-15 Top Black Trim Strip with Lock Hole
6	117603	3	Suppressor Tape/Gasket (sold by the foot)
7	150201	5	#10-32 x 1/4" Phillips Round Head Machine Screw
8	150300	4	#10-16 x 1/2" Hex Washer TEK Screw
9	102603	1	Control Door Rod Support Catch
10	102601	1	Control Door Rod Retainer Clip
11	102502	1	Control Door Support Rod

\* Specify color when ordering.

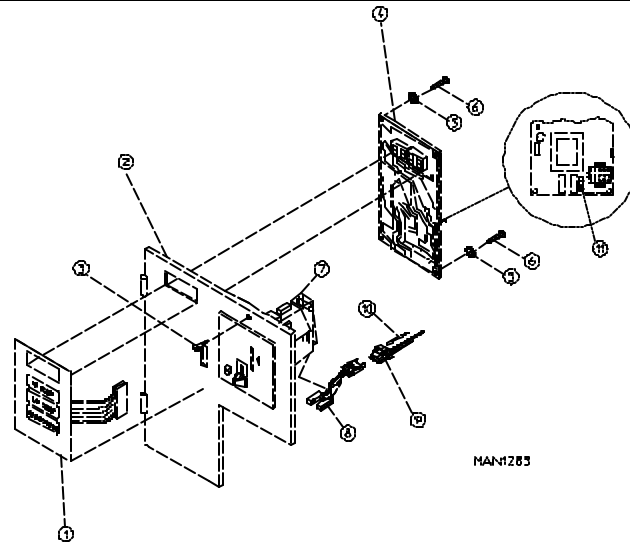
**For ALL Coin Models**  
**For OPL Models Mfd. prior to November 11, 1998**



<u>Illus. No.</u>	<u>Part No.</u>	<u>Qty.</u>	<u>Description</u>
1	160015	1	High Security MK-100 Lock Assembly with Key (for coin models Only)
	160104	1	MK-100 Key ONLY
	160017	1	Special Dummy Lock ONLY (for non-coin models Only)
2	160016	1	Lock Cam ONLY
	881053	1	<b>ADC</b> Logo with Tape
3	870011	1	Double Sided Tape Kit
	800022*	1	AD-25 High Security Control Door Assembly with Gray Trim (includes illus. nos. 4 through 7)
4	800141	1	AD-25 High Security Stainless Steel Control Door Assembly with Gray Trim Less Lock (includes illus. nos. 4 through 7)
	883266*	1	AD-25 High Security Control Door Assembly with Black Trim (includes illus. nos. 4 through 7)
5	882686	1	AD-25 High Security Stainless Steel Control Door Assembly with Black Trim (includes illus. nos. 4 through 7)
	180201	1	AD-25 Top Gray Trim Strip with Lock Hole
6	180301	1	AD-25 Top Black Trim Strip with Lock Hole
	117603	3	Suppressor Tape/Gasket (sold by the foot) For Models Mfd. as of February 6, 1995
7	150201	5	#10-32 x 1/4" Phillips Round Head Machine Screw
8	150300	4	#10-16 x 1/2" Hex Washer TEK Screw
9	102600	1	Control Door Rod Support Catch
10	102601	1	Control Door Rod Retainer Clip
11	102502	1	Control Door Support Rod

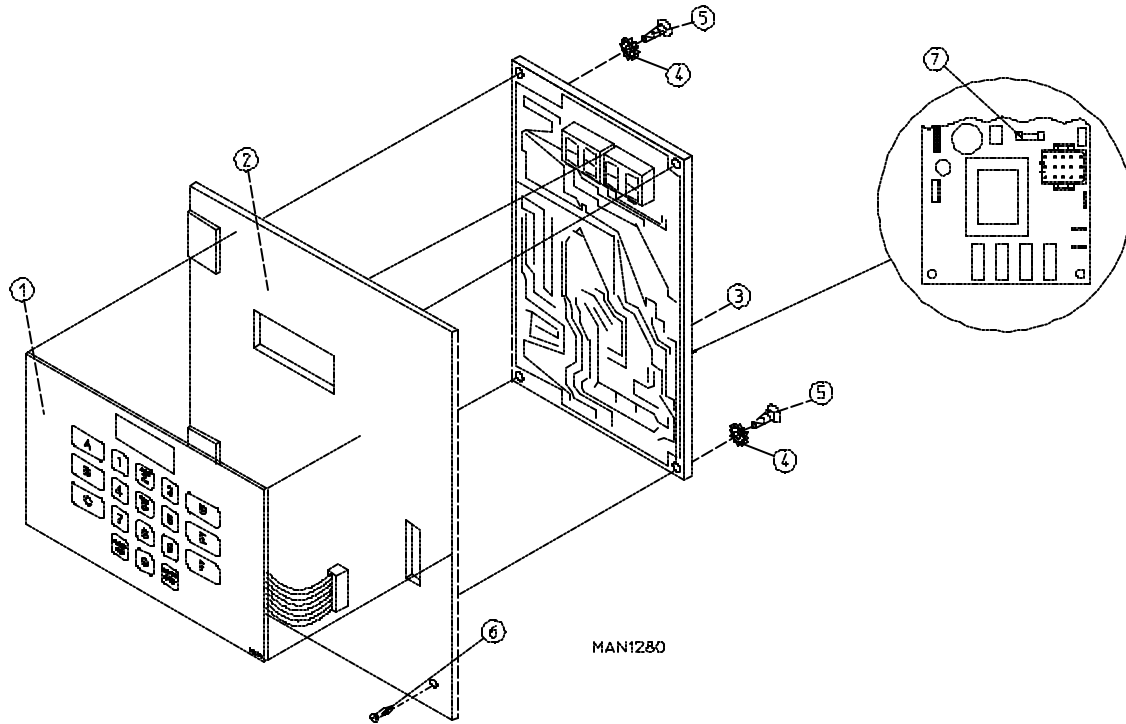
\* Specify color when ordering.





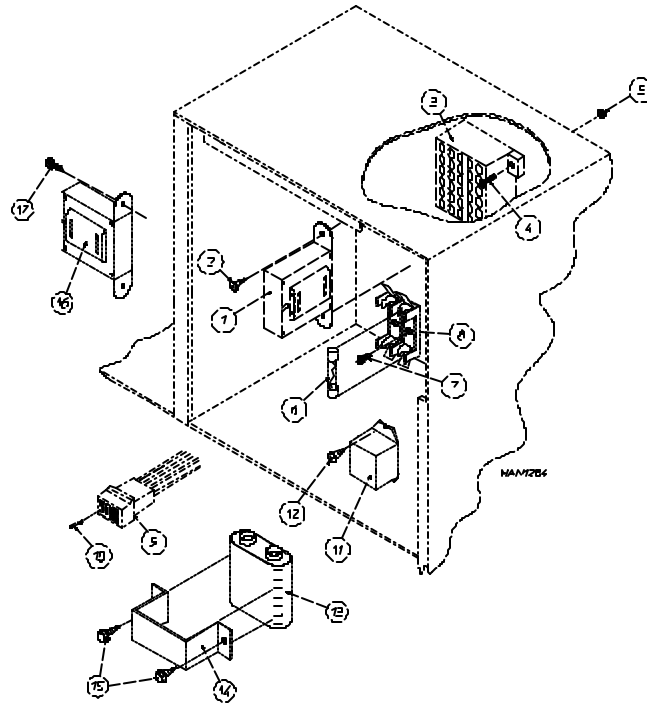
<u>Illus. No.</u>	<u>Part No.</u>	<u>Qty.</u>	<u>Description</u>
1	112526	1	Coin Keyboard Label Assembly
2	883537	1	Phase 5 Coin Control Panel Assembly (includes illus. nos. 1, 2, and 4 through 6) (for models mfd. as of June 25, 2002)
	883538	1	Phase 5 Coin Control Panel Assembly with Battery Option (includes illus. nos. 1, 2, and 4 through 6) (for models mfd. as of June 25, 2002)
	883582	1	Phase 5 Coin Control Panel Assembly with Battery Option (includes illus. nos. 1, 2, and 4 through 6) (for models mfd. prior to June 25, 2002)
	883581	1	Phase 5 Coin Control Panel Assembly (includes illus. nos. 1, 2, and 4 through 6) (for models mfd. prior to June 25, 2002)
	883539	1	Coin Control Panel ONLY (for models mfd. as of June 25, 2002)
	883540	1	Coin Control Panel ONLY with Battery Bracket (for models mfd. as of June 25, 2002)
	883580	1	Coin Control Panel ONLY (for models mfd. prior to June 25, 2002)
	883579	1	Coin Control Panel ONLY with Battery Bracket (for models mfd. prior to June 25, 2002)
3	150309	1	#10-16 x 1/2" Hex Head TEK Crimptite Screw
4	137213	1	Phase 5 Coin Controller ONLY
	824998	1	Phase 5 Battery Clip
5	153010	2	#6 Star Washer
6	150005	2	#6-32 x 1/4" Phillips Round Head Machine Screw
7	-----	1	Microprocessor Coin Acceptor (refer to <b>Microprocessor Coin Acceptors Listing</b> on <a href="#">page 60</a> )
8	-----	1	Optic Switch ONLY (refer to <b>Microprocessor Coin Acceptors Listing</b> on <a href="#">page 60</a> )
9	137023	1	Optic Switch Connector ONLY
10	137021	3	Microprocessor Socket ONLY
	880772	1	Single Coin Optical Switch Harness
	122800	1	Microprocessor (female) Pin Extraction Tool
11	136048	1	1/8-Amp (Slo-Blo) Fuse ONLY

**IMPORTANT:** Check label on computer chip to verify correct part number for controller.



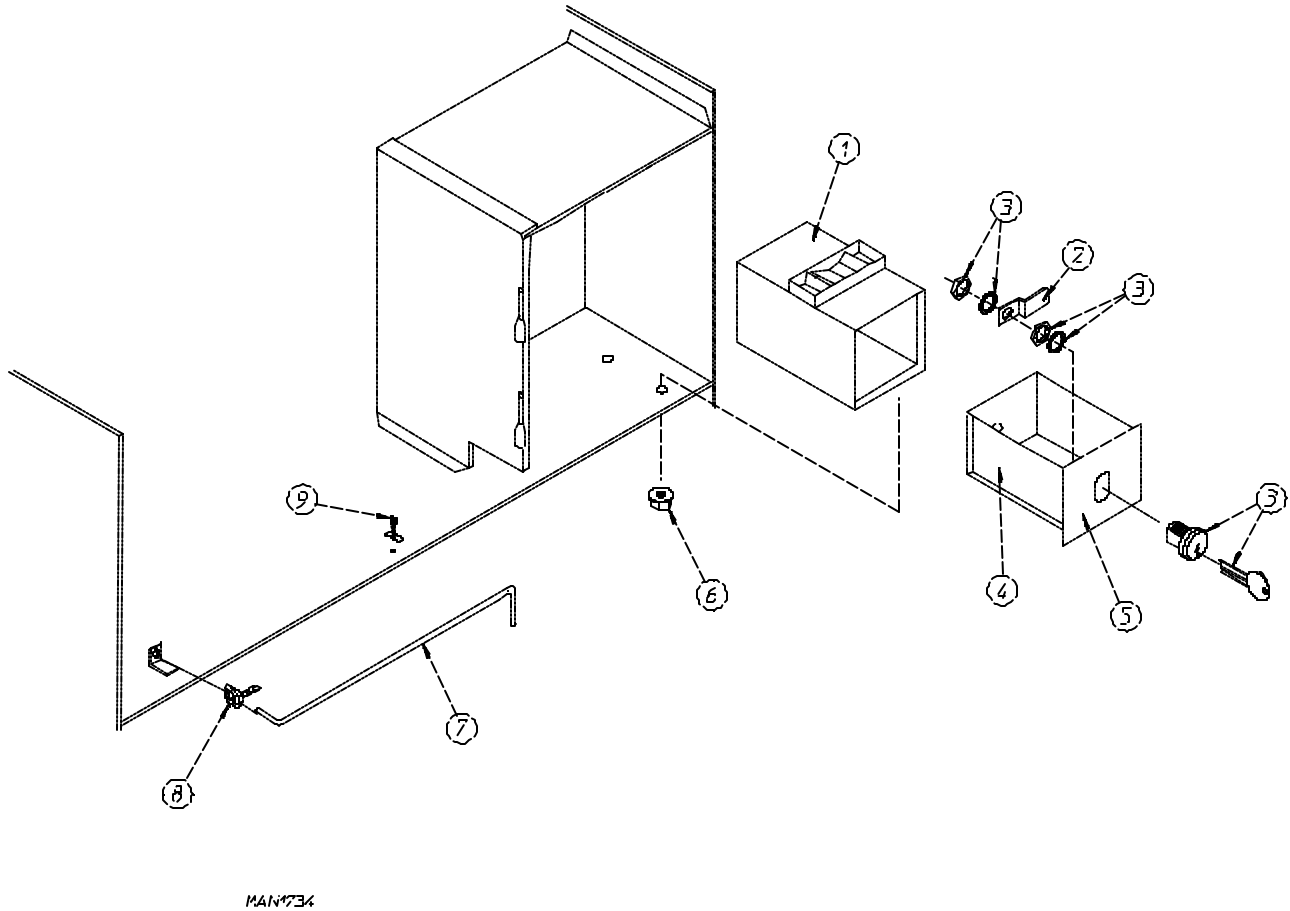
<u>Illus. No.</u>	<u>Part No.</u>	<u>Qty.</u>	<u>Description</u>
1	112535	1	OPL English Keyboard Label Assembly
	112276	1	OPL Stick-On Labels (English Only)...Not Illustrated
	112275	1	3-Language OPL Stick-On Labels...Not Illustrated (Spanish, Italian, and Hebrew)
	112277	1	3-Language OPL Stick-On Labels...Not Illustrated (English, Spanish, and Hebrew)
	112278	1	5-Language OPL Stick-On Labels...Not Illustrated (Italian, Dutch, French, German, and Chinese)
2	801255	1	Phase 5 Microprocessor Control Panel ONLY
	801256	1	Phase 5 Microprocessor Control Panel ONLY with Battery Bracket
	801206	1	Phase 5 OPL Non-Reversing Microprocessor Control Panel Assembly Complete (includes illus. nos. 1 through 6)
	801207	1	Phase 5 OPL Reversing Microprocessor Control Panel Assembly Complete (includes illus. nos. 1 through 6)
3	137222	1	Phase 5 OPL Non-Reversing Controller ONLY
	137231	1	Phase 5 OPL Reversing Controller ONLY
	824998	1	Phase 5 Battery Clip
4	153010	2	#6 Star Washer
	150005	2	#6-32 x 1/4" Phillips Round Head Machine Screw
6	150300	1	#10-16 x 1/2" Hex Washer TEK Screw (for models mfd. as of March 1, 1994)
	882541	1	Spring Turn Latch (2-piece)...Not Illustrated (for models mfd. prior to March 1, 1994)
7	136048	1	1/8-Amp (Slo-Blo) Fuse

**IMPORTANT:** Check label on computer chip to verify correct part number for controller.



<u>Illus. No.</u>	<u>Part No.</u>	<u>Qty.</u>	<u>Description</u>
1	-----	1	24 VAC Control Voltage Transformer (refer to <b>AD-15/AD-25 Transformer Usage Listing for Gas/Steam Dryers</b> on <b>page 62</b> ) (refer to <b>AD-15/AD-25 Transformer Usage Listing for Electric Dryers</b> on <b>page 63</b> )
2	150300	2	#10-16 x 1/2" Hex Washer TEK Screw
3	120715	1	30-Position Terminal Block
4	150002	2	#6-32 x 1" Phillips Round Head Screw
5	151000	2	#6-32 Pal Nut
6	136057	*	1/2-Amp (Slo-Blo) Fuse
7	150301	*	#8-18 x 7/16" Self Drilling Screw
8	136008	*	Fuse Block/Strip ONLY
9	122641	1	15-Pin Microprocessor Connector
10	122706	*	Sockets ONLY
11	131931	1	Steam Valve Relay - 24 VAC (for mechanical steam damper models Only)
12	150309	2	#10-16 x 1/2" Hex Head TEK Crimptite Screw
13	137035	1	Motor Capacitor (for mechanical steam damper models Only)
14	323583	1	Capacitor Bracket (for mechanical steam damper models Only)
15	150300	2	#10-16 x 1/2" Hex Washer TEK Screw
16	132002	1	Transformer (for mechanical steam damper models 208 volts and higher)
17	150300	2	#10-16 x 1/2" Hex Washer TEK Screw

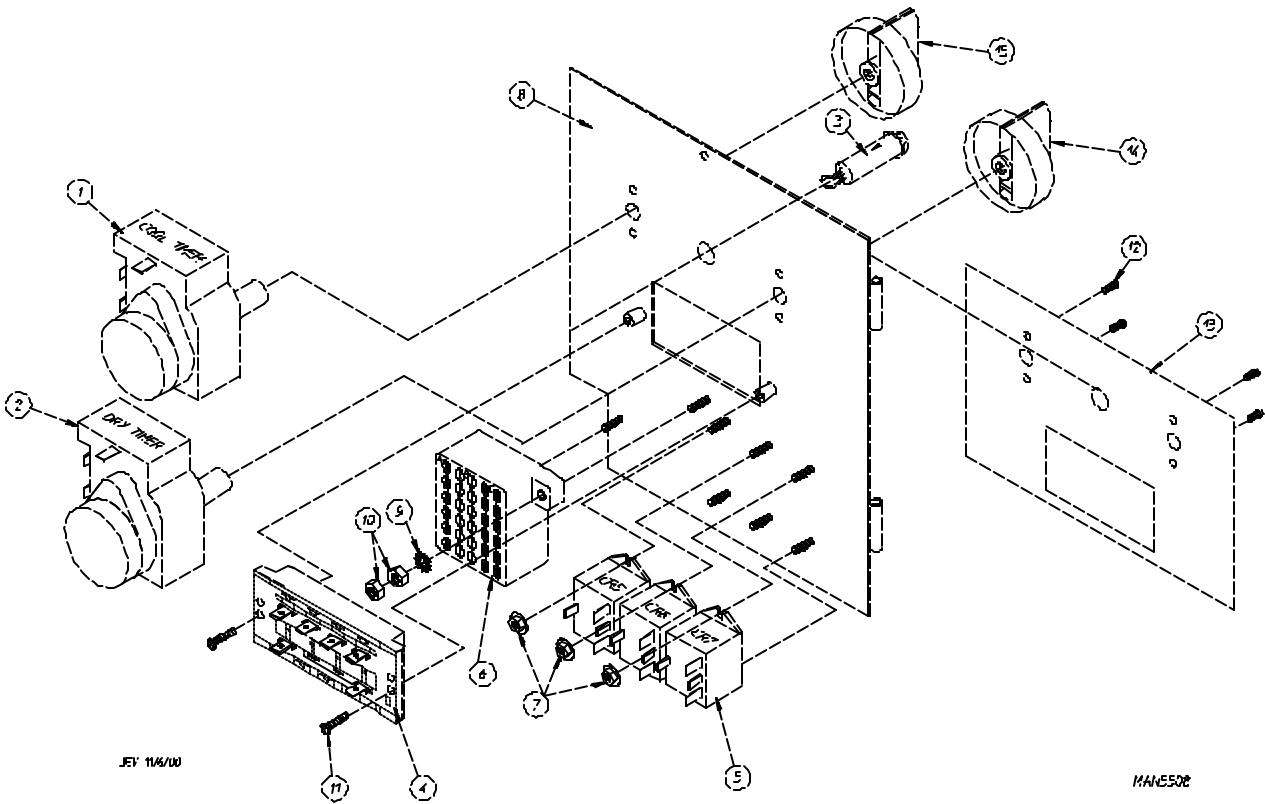
\* As required.



<u>Illus. No.</u>	<u>Part No.</u>	<u>Qty.</u>	<u>Description</u>
1	802112	1	Microprocessor Coin Vault Assembly Complete (includes illus. nos. 1 through 6)
	802117	1	Microprocessor Coin Vault ONLY
	802110	1	Non-Microprocessor Coin Vault Assembly Complete (includes illus. nos. 1 through 6)
	802115	1	Non-Microprocessor Coin Vault ONLY
2	160028	1	Cam for 1/4 Turn Lock ONLY
3	875061	1	1/4 Turn Lock with Key and Cam
	160105*	1	1/4 Turn Mer-Pel Key ONLY
4	802020	1	1/4 Turn Coin Box Assembly (includes illus. nos. 2 through 5)
	802019	1	1/4 Turn Coin Box ONLY without Faceplate
	125915	1	High Security (Greenwald) Coin Box ONLY with Key
5	802018	1	1/4 Turn Coin Box Faceplate ONLY
6	152014	4	1/4-20 Free Spin Wash Nut
7	102502	1	Control Door Support Rod
8	102601	1	Control Door Rod Retainer Clip
9	102603	1	Control Door Rod Catch

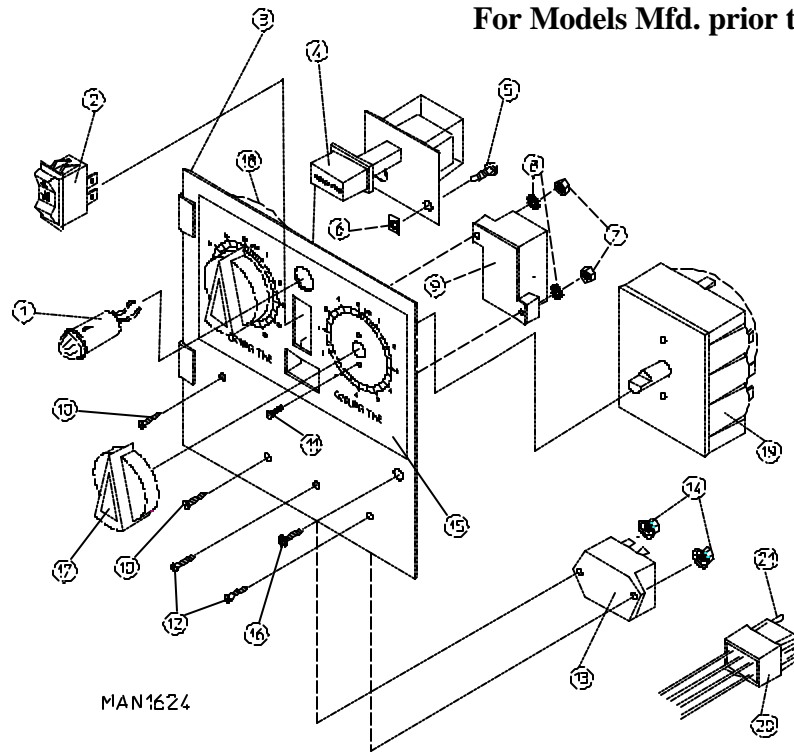
\* Specify key number when ordering.

For Models Mfd. as of November 3, 2000



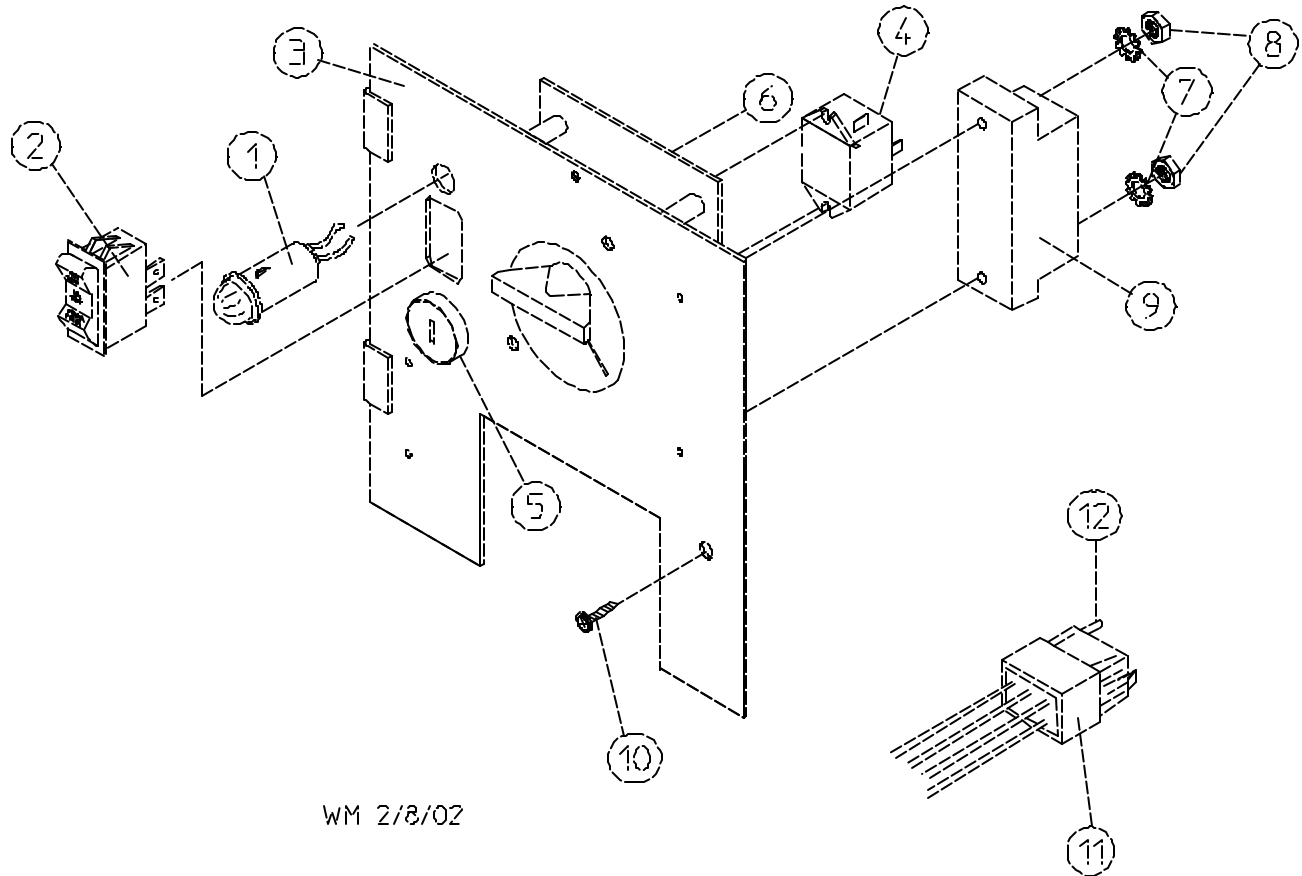
<u>Illus. No.</u>	<u>Part No.</u>	<u>Qty.</u>	<u>Description</u>
1	124030	1	15 Minute Timer - 24 VAC
2	124025	1	60 Minute Timer - 24 VAC
3	824175	1	Red Pilot Light - 24 VAC
4	122301	1	"Tap Touch" Switch
5	131932	3	Relay SPST 24v
6	120730	1	30-Position Terminal Block
7	151000	6	#6-32 Pal Nut
8	882903	1	Dual Timer Panel Complete (includes illus. nos. 1 through 15)
	850392	-	Dual Timer Panel ONLY
9	153010	2	#6 Star Washer
10	152000	3	#6-32 Hex Nut
11	150207	2	#10-24 x 1/2" Phillips Pan Head Machine Screw
12	150110	4	#8-32 x 1/4" Phillips Round Head Machine Screw
13	112563	1	Dual Timer Panel Overlay
14	124104	1	Pure Touch Knob with Red Pointer
15	124105	1	Pure Touch Knob with Blue Pointer

For Models Mfd. prior to November 3, 2000



<u>Illus. No.</u>	<u>Part No.</u>	<u>Qty.</u>	<u>Description</u>
1	123005	1	Red Indicator Light - 24 VAC
2	122400	1	Rocker Heat Selector Switch
3	824015	1	Dual Timer Control Panel Assembly Complete - 24 VAC (includes illus. nos. 1 through 21)
	800051	1	Dual Timer Control Panel ONLY
4	131917	1	Push-To-Start Relay - 24 VAC
5	150207	2	#10-24 x 1/2" Round Head Machine Screw
6	154001	2	#10-24 Speed Nut
7	152000	2	#6-32 Hex Nut
8	153010	2	#6 Star Washer
9	120713	1	18-Position Terminal Block
10	150002	2	#6-32 x 1" Phillips Round Head Machine Screw
11	150110	4	#8-32 x 1/4" Phillips Machine Screw
12	150001	2	#6-32 x 1/2" Phillips Round Head Machine Screw
13	131931	1	Dual Timer Relay - 24 VAC
14	151000	2	#6-32 Pal Nut
15	112050	1	Dual Timer Label ONLY
16	150415	1	#10-16 x 1/2" Phillips Round Head Crimptite Screw (for models mfd. as of March 1, 1994)
	882541	1	Spring Turn Latch (2-piece)...Not Illustrated (for models mfd. prior to March 1, 1994)
17	124103	2	Arrow Timer Knob
18	124025	1	60 Minute Timer - 24 VAC
19	124030	1	15 Minute Timer - 24 VAC
20	122602	1	9-Pin Connector ONLY
21	122700	8	Pin Terminal ONLY
--	122801	1	Pin/Socket Extraction Tool

For Models Mfd. as of January 25, 2002

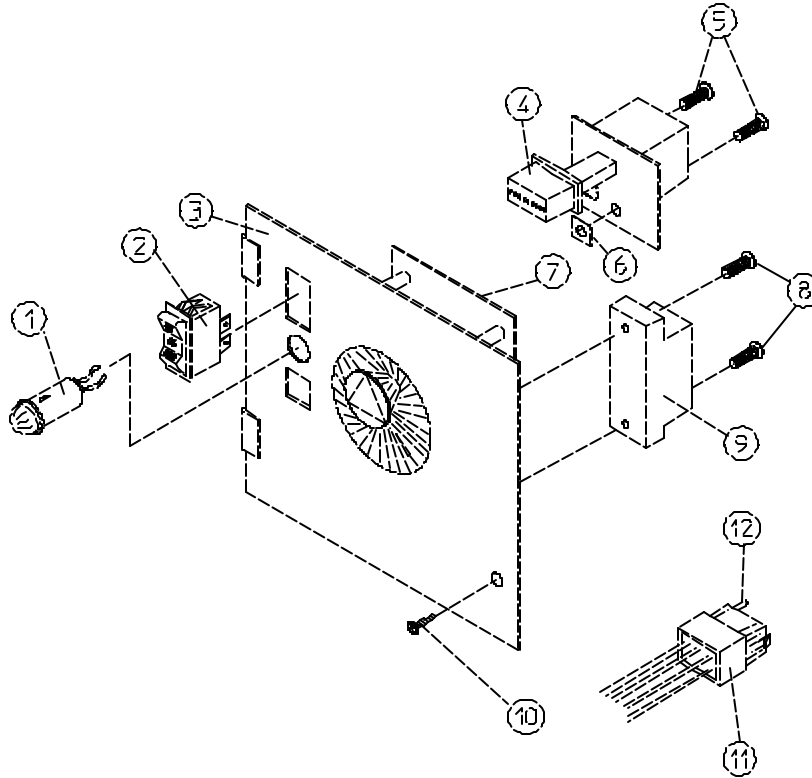


MAN6086

Illus. No.	Part No.	Qty.	Description
1	123005	1	Red Indicator Light - 24 VAC
2	122400	1	Rocker Heat Selector Switch
3	824172	1	Coin Meter Control Panel Assembly Less Coin Meter (includes illus. nos. 2 through 5, 7, and 8)
	824109	1	Coin Meter Control Panel ONLY
4	131932	1	24 VAC Relay
	154001	2	#10-24 Speed Nut (used on P/N 131932, 24 VAC Relay)
5	123225	1	Green Push-To-Start Button
6	125601	1	25¢ Coin Meter - 24 VAC (specify timing)
7	153010	2	#6 Star Washer
8	152016	2	Hex Nut
9	120712	1	12-Position Terminal Block
10	150300	1	#10-16 x 1/2" Hex Washer TEK Screw
11	122602	1	9-Pin Connector
12	122700	7	Pin Terminal ONLY
---	122801	1	Pin Extraction Tool

**NOTE:** For Coin Meter Replacement Parts refer to page 61.

For Models Mfd. prior to January 25, 2002



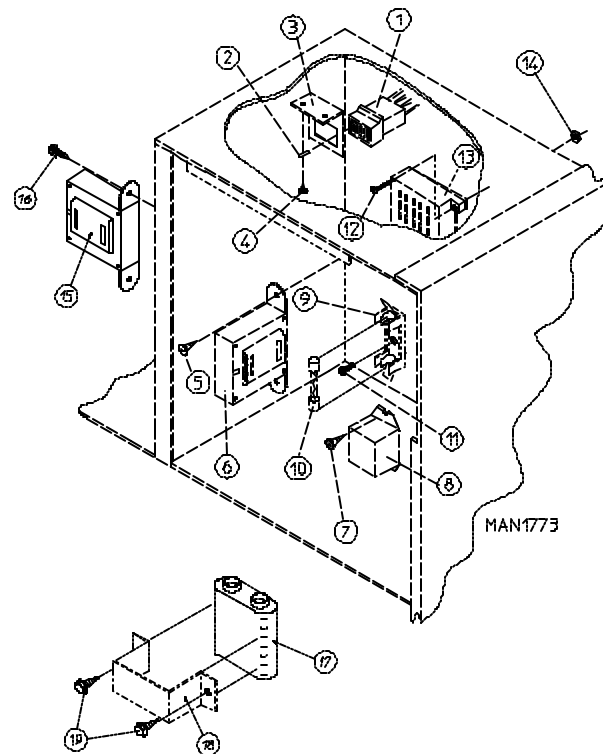
MAN1625

<u>Illus. No.</u>	<u>Part No.</u>	<u>Qty.</u>	<u>Description</u>
1	123005	1	Red Indicator Light - 24 VAC
2	122400	1	Rocker Heat Selector Switch
3	824020	1	Coin Meter Control Panel Assembly Complete - 24 VAC (includes illus. nos. 1 through 6 and 8 through 12)
	800054	1	Coin Meter Control Panel ONLY
4	131917	1	Push-To-Start Relay - 24 VAC
5	150207	2	#10-24 x 1/2" Round Head Machine Screw
6	154001	2	#10-24 Speed Nut
7*	125601	1	25¢ Coin Meter - 24 VAC (specify timing)
8	150303	2	#4 x 3/4" Pan Head "A" Screw
9	120712	1	12-Position Terminal Block
10	150309	1	#10-16 x 1/2" Hex Head TEK Crimplite Screw (for models mfd. as of March 3, 1994)
	882541	1	Spring Turn Latch (2-piece)...Not Illustrated (for models mfd. as of March 3, 1994)
11	122602	1	9-Pin Connector ONLY
12	122700	9	Pin Terminal ONLY
---	122801	1	Pin/Socket Extraction Tool

\* Consult factory for coin meters not listed.

**NOTE:** For Coin Meter Replacement Parts refer to **page 61**.



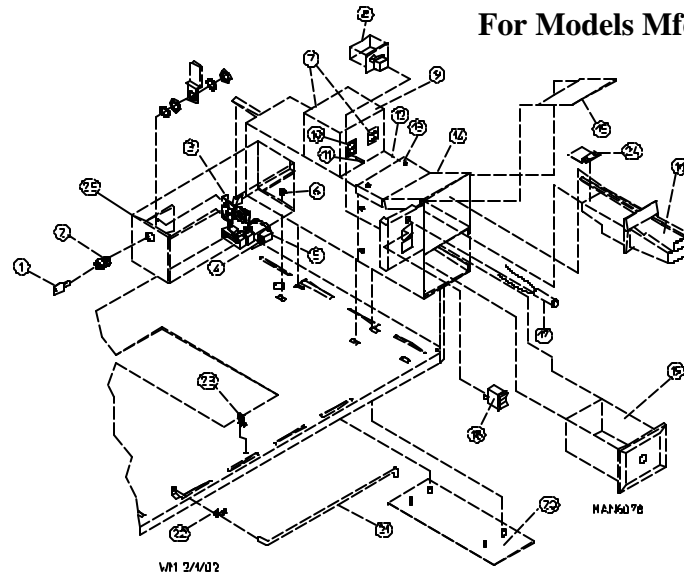


<u>Illus. No.</u>	<u>Part No.</u>	<u>Qty.</u>	<u>Description</u>
1	122603	1	9-Pin Socket Connector
2	122701	9	Socket Terminal ONLY
	122801	1	Pin/Socket Extraction Tool
3	315010	1	9-Pin Connector Bracket
4	150300	2	#10-16 x 1/2" Hex Washer TEK Screw
5	150300	2	#10-16 x 1/2" Hex Washer TEK Screw
6	-----	1	24 VAC Control Voltage Transformer (refer to <b>AD-15/AD-25 Transformer Usage Listing for Gas/Steam Dryers on page 62</b> ) (refer to <b>ADE-15/ADE-25 Transformer Usage Listing for Electric Dryers on page 63</b> )
7	150309	2	#10-16 x 1/2" Hex Head TEK Crimptite Screw
8	131931	1	Steam Valve Relay (for mechanical steam damper models Only) - 24 VAC
9	136008	*	Fuse Block/Strip ONLY
10**	136057	*	1/2-Amp (Slo-Blo) Fuse ONLY
11	150301	*	#8-18 x 7/16" Phillips Pan Head TEK Screw
12	150002	2	#6-32 x 1" Phillips Round Head Machine Screw
13	120715	1	30-Position Terminal Block
14	151000	2	#6-32 Pal Nut
15	132002	1	Transformer (for mechanical steam damper 208 VAC and higher)
16	150300	2	#10-16 x 1/2" Hex Washer TEK Screw
17	137035	1	Motor Capacitor (for mechanical steam damper models Only)
18	323583	1	Capacitor Bracket (for mechanical steam damper models Only)
19	150300	2	#10-16 x 1/2" Hex Washer TEK Screw

\* As required.

\*\* Check fuse on dryer for verification.

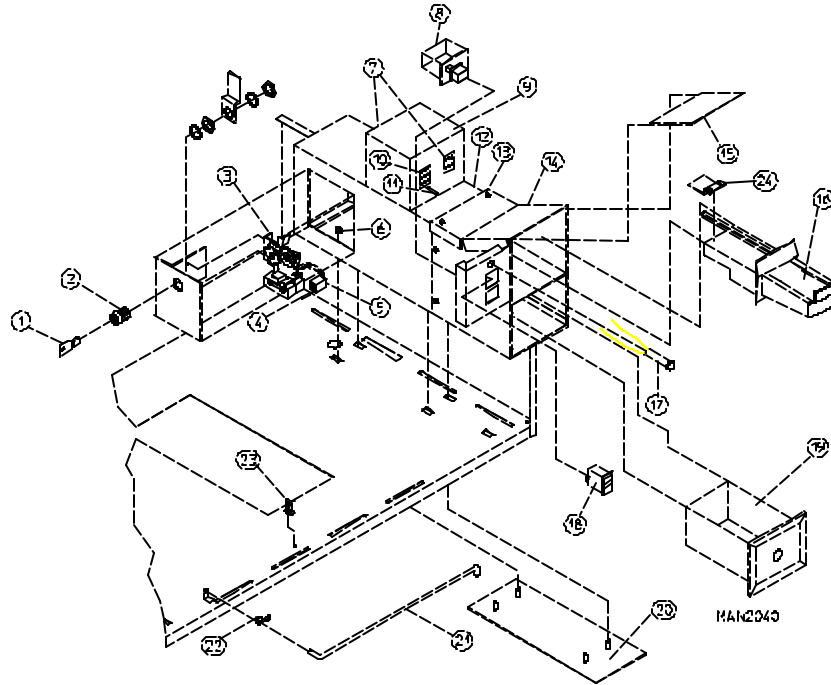
For Models Mfd. as of March 13, 2001



<u>Illus. No.</u>	<u>Part No.</u>	<u>Qty.</u>	<u>Description</u>
1*	160199	1	Key ONLY for Slide Meter Lock
2	160099	1	Lock/Key/Cam and Hardware
3	125908	1	Slide Meter Accumulator - 24 VAC
4	122643	9	Mate-N-Lock Pin ONLY
5	122642	1	9-Position Mini-Universal Socket
6	152014	4	1/4-20 Free Spin Wash Nut
7	122631	2	6-Position Connector (mate-n-lock)
8	131917	1	Push-To Start Relay - 24 VAC
9	883034	1	White Slide Meter Case
	883035	1	Coral Blue Slide Meter Case
	883036	1	Ivory Slide Meter Case
10	122603	1	9-Position Connector (mate-n-lock)
11	122701	21	Socket Terminal ONLY
12	883165	1	Slide Meter Case ONLY with Door Less Lock
13	154203	6	1/4" Drive Rivet
14	801700	1	Slide Meter Extension ONLY with Mirror (includes illus. nos. 14 and 15)
15	315404	1	Stainless Steel Mirror ONLY
16	-----	1	Typical Slide Meter Coin Chute (not available from <b>ADC</b> )
17	123005	1	Red Indicator Light - 24 VAC
18	122400	1	Rocker Heat Selector Switch
19	-----	1	Typical Slide Meter Coin Box (not available from <b>ADC</b> )
20	801701	1	Slide Meter Case Mounting Plate
21	102502	1	Control Door Support Rod
22	102601	1	Control Door Rod Retainer Clip
23	102603	1	Control Door Support Rod Catch
24	883044	1	Slide Meter Extension
25	883038	1	White Slide Meter Timer Door
	883039	1	Coral Blue Slide Meter Timer Door
	883040	1	Ivory Slide Meter Timer Door

\* Specify key number when ordering.

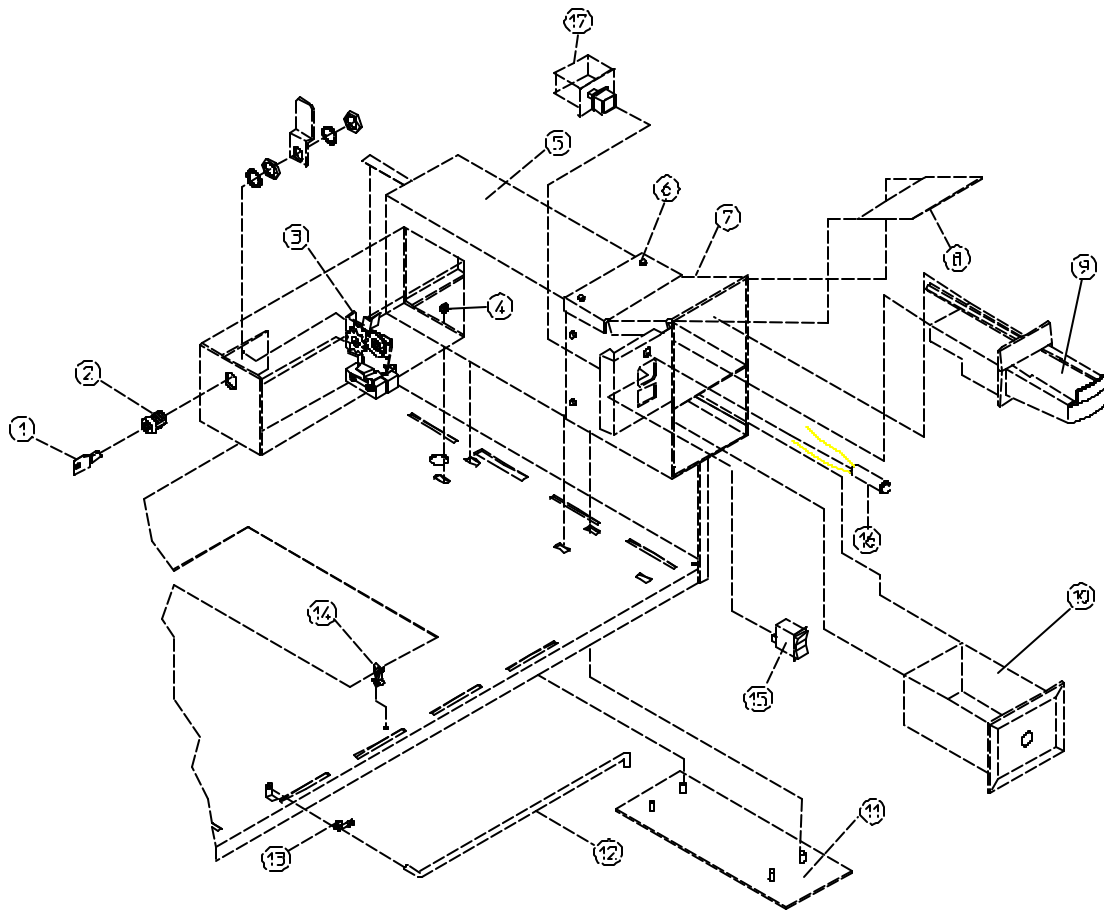
For Models Mfd. Between January 13, 1995 and March 13, 2001



<u>Illus. No.</u>	<u>Part No.</u>	<u>Qty.</u>	<u>Description</u>
1*	160199	1	Key ONLY for Slide Meter Lock
2	160099	1	Lock/Key/Cam and Hardware
3	125908	1	Slide Meter Accumulator - 24 VAC
4	122643	9	Mate-N-Lock Pin ONLY
5	122642	1	9-Position Mini-Universal Socket
6	152014	4	1/4-20 Free Spin Wash Nut
7	122631	2	6-Position Connector (mate-n-lock)
8	131917	1	Push-To Start Relay - 24 VAC
9	881100	1	Slide Meter Modular J-Box Assembly
10	122603	1	9-Position Connector (mate-n-lock)
11	122701	21	Socket Terminal ONLY
12	883165	1	Slide Meter Case ONLY with Door Less Lock
13	154203	6	1/4" Drive Rivet
14	801700	1	Slide Meter Extension ONLY with Mirror (includes illus. nos. 14 and 15)
15	315404	1	Stainless Steel Mirror ONLY
16	-----	1	Typical Slide Meter Coin Chute (not available from ADC)
17	123005	1	Red Indicator Light - 24 VAC
18	122400	1	Rocker Heat Selector Switch
19	-----	1	Typical Slide Meter Coin Box (not available from ADC)
20	801701	1	Slide Meter Case Mounting Plate
21	102502	1	Control Door Support Rod
22	102601	1	Control Door Rod Retainer Clip
23	102603	1	Control Door Support Rod Catch
24	883044	1	Slide Meter Extension

\* Specify key number when ordering.

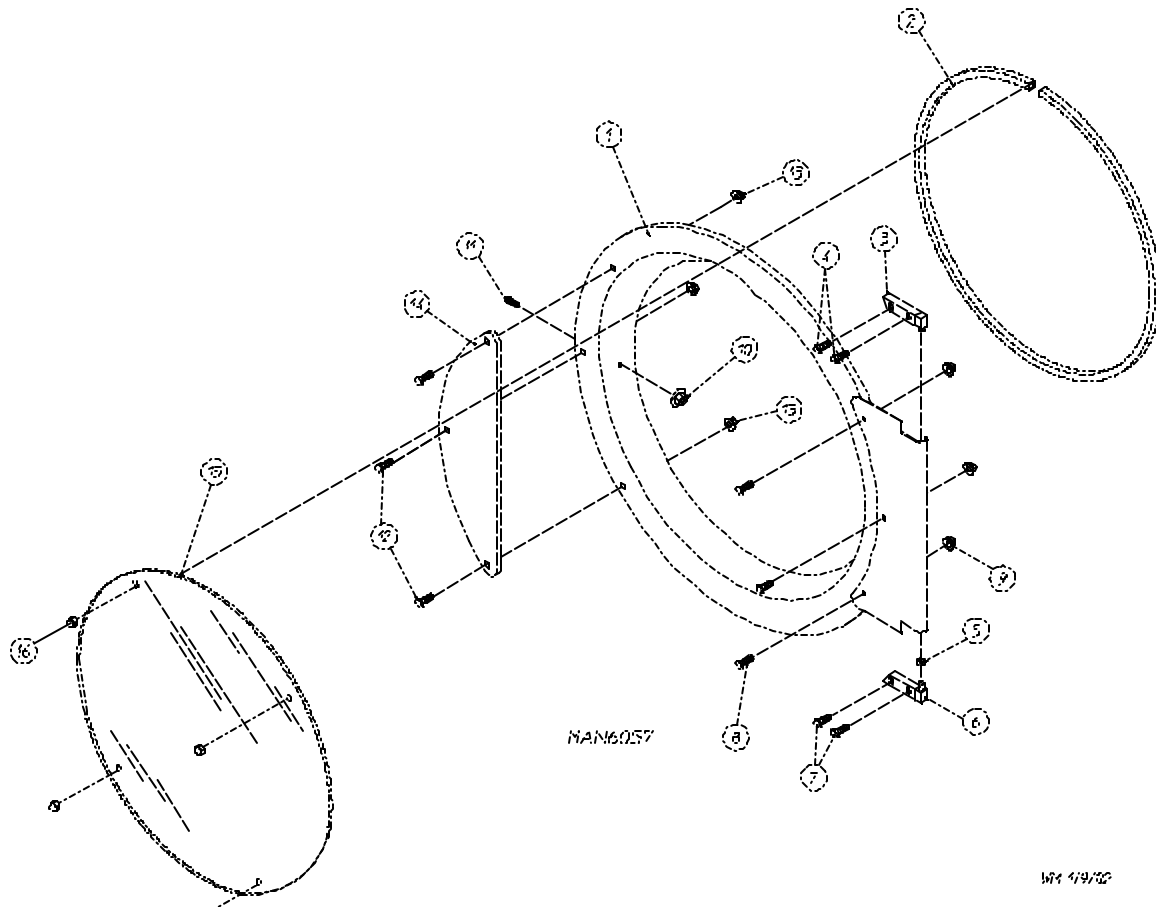
For Models Mfd. prior to January 13, 1995



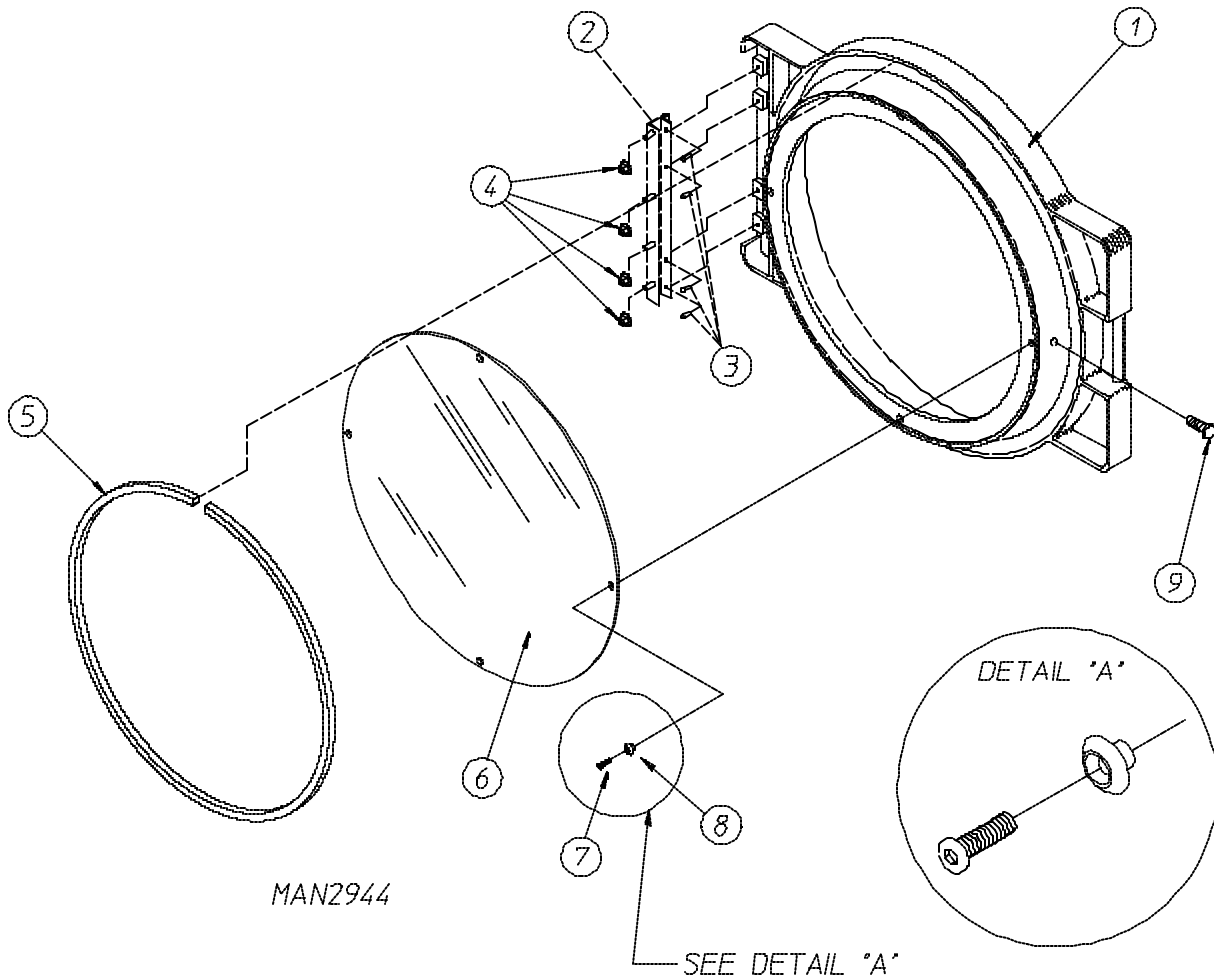
MAN0272

<u>Illus. No.</u>	<u>Part No.</u>	<u>Qty.</u>	<u>Description</u>
1*	160199	1	Key ONLY for Slide Meter Lock
2	160099	1	Lock/Key/Cam and Hardware
3	125908	1	Slide Meter Accumulator - 24 VAC
4	152014	4	1/4-20 Free Spin Wash Nut
5	883165	1	Slide Meter Case ONLY with Door Less Lock
6	154203	6	1/4" Drive Rivet
7	801700	1	Slide Meter Extension ONLY with Mirror (includes illus. nos. 14 and 15)
8	315404	1	Stainless Steel Mirror ONLY
9	-----	1	Typical Slide Meter Coin Chute (not available from ADC)
10	-----	1	Typical Slide Meter Coin Box (not available from ADC)
11	801701	1	Slide Meter Case Mounting Plate
12	102502	1	Control Door Support Rod
13	102601	1	Control Door Rod Retainer Clip
14	102600	1	Control Door Support Rod Catch
15	122400	1	Rocker Heat Selector Switch
16	123005	1	Red Indicator Light - 24 VAC
17	131917	1	Push-To-Start Relay - 24 VAC

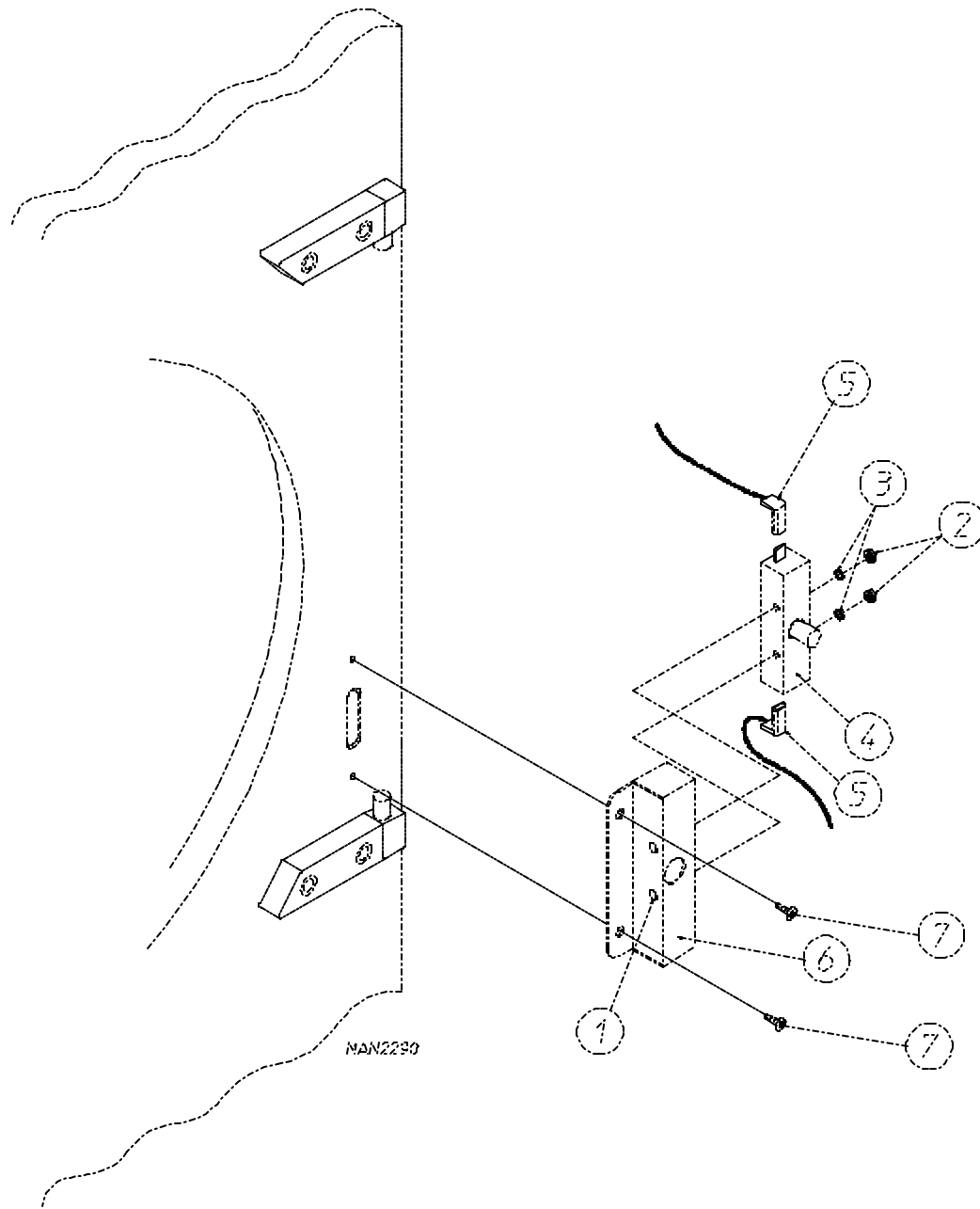
\* Specify key number when ordering.



<u>Illus. No.</u>	<u>Part No.</u>	<u>Qty.</u>	<u>Description</u>
1	881150	1	Black Main Door Assembly Complete (includes illus. nos. 1, 2, and 8 through 15)
2	102354	1	Door Gasket
	170731	1	Black Glass Adhesive (10.3 oz. cartridge)
3	881152	1	Black Top Hinge Block Assembly (includes illus. nos. 3 and 4)
4	150445	2	1/4-20 x 3/4" Black Cap Head Setscrew
5	153031	1	1/4" Nylon Washer
6	881151	1	Black Bottom Hinge Block Assembly (includes illus. nos. 5 through 7)
7	150445	2	1/4-20 x 3/4" Black Cap Head Setscrew
	150443	2	1/4-20 x 3/4" Stainless Steel Cap Head Setscrew
8	150683	3	1/4-20 x 5/8" Black Carriage Bolt
9	152014	3	1/4-20 Free Spin Wash Nut
10	151010	1	#10-32 Black Hex Acorn Nut
11	150120	1	Door Latch Screw
12	150683	3	1/4-20 x 5/8" Black Carriage Bolt
13	152014	3	1/4-20 Free Spin Wash Nut
14	881210	1	Black Main Door Handle ONLY
15	102211	1	Door Glass without Holes
	102218	1	20-7/16" Door Glass with 4 Holes for Mechanical Fasteners
	170731	1	Black Glass Adhesive (10.3 oz. cartridge)
16	151013	4	#10-32 Black Nylon Acorn Nut

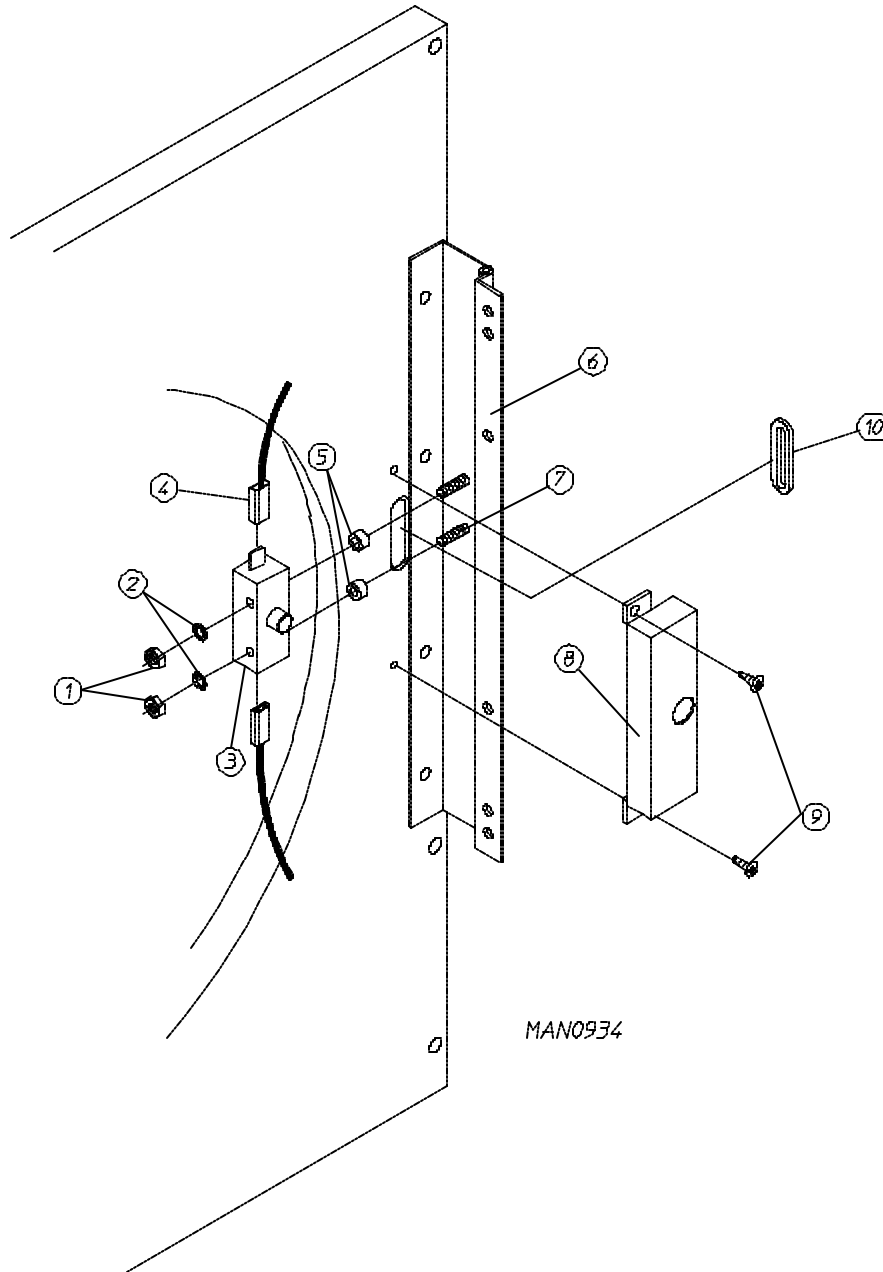


<u>Illus. No.</u>	<u>Part No.</u>	<u>Qty.</u>	<u>Description</u>
1	881422	1	Black Plastic Main Door Assembly Complete with Mechanical Fasteners (includes illus. nos. 1 and 5 through 9)
2	800448	1	12-1/2" Stainless Steel Main Door Hinge Assembly
3	150410	4	#10-24 x 3/8" Phillips Pan Head Taptite Screw
4	152014	4	1/4-20 Free Spin Wash Nut
5	102349	1	Main Door Gasket
6	102212	1	20-7/16" Door Glass with (4) Holes
	170730	1	Main Door Gasket/Glass Adhesive (10.3 oz. cartridge)
7	150448	4	1/2" Stainless Steel Flat Head Allen Screw
8	170319	4	Door Glass (nylon) Spacer
9	150431	1	Main Door Latch Screw (#10 x 7/16" dome hex head screw)



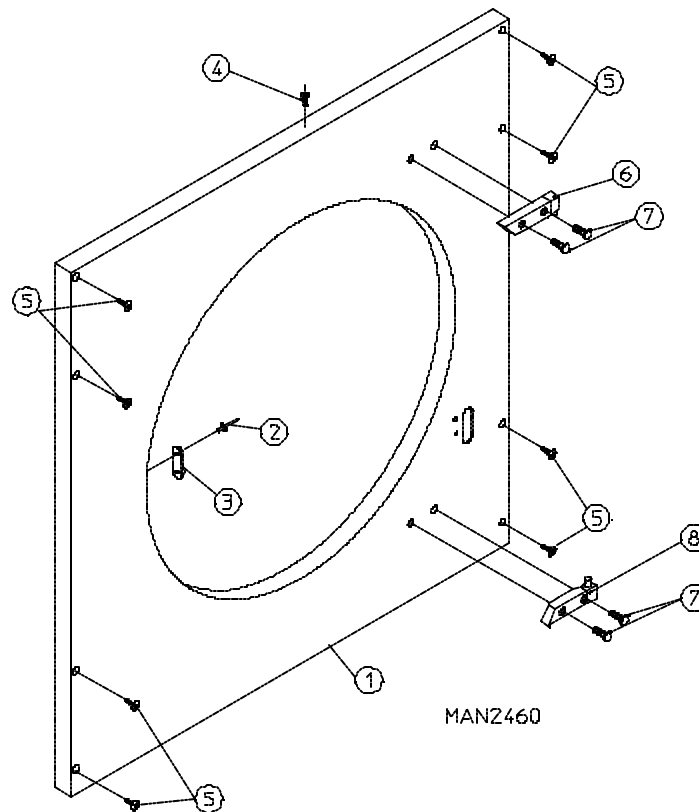
<u>Illus. No.</u>	<u>Part No.</u>	<u>Qty.</u>	<u>Description</u>
1	150006	2	#6-32 x 7/8" Phillips Pan Head Machine Screw
2	152013	2	#6-32 Hex Nut
3	153010	2	#6 Star Washer
4	137005	1	Single-Pole Door Switch
5	122636	2	Flag Terminal
6	881211	1	Main Door Switch Housing
7	150301	2	#8-18 x 7/16" Phillips Pan Head TEK Screw

For Models with Plastic Doors



<u>Illus. No.</u>	<u>Part No.</u>	<u>Qty.</u>	<u>Description</u>
1	152013	2	#6-32 Hex Nut
2	153008	2	#6 Lock Washer
3	137005	1	Single-Pole Door Switch
4	121028	2	Insulated Female Terminal
5	154281	2	3/8" Standard Nylon Spacers
6	800448	1	12-1/2" Stainless Steel Main Door Hinge Assembly (includes illus. nos. 6 and 7)
7	153565	2	#6-32 x 1" Self-Clinching Stud
8	313218	1	Main Door Switch Housing
9	150201	2	#10-32 x 1/4" Phillips Pan Head Screw
10	121405	1	Rubber Grommet

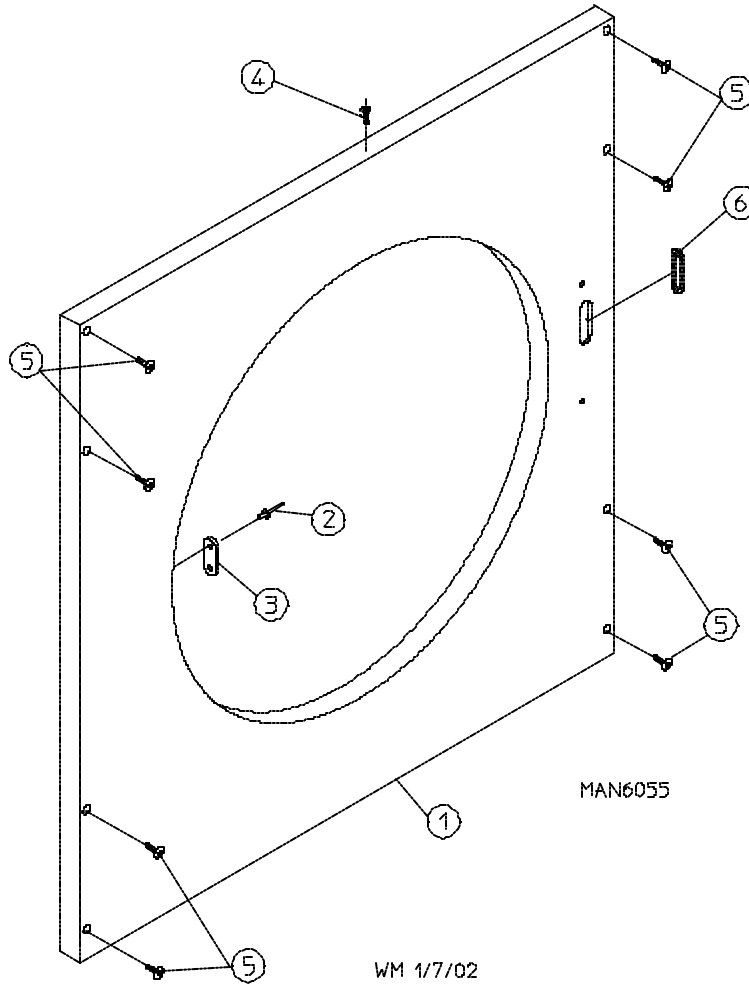




Illus. No.	Part No.	Qty.	Description
1	881268*	1	AD-15 Cold Rolled Steel (CRS) Front Panel Assembly (includes illus. nos. 1 through 3)
	881287	1	AD-15 Cold Rolled Steel (CRS) Stainless Steel Front Panel Assembly (includes illus. nos. 1 through 3)
	881793*	1	AD-15 Cold Rolled Steel (CRS) Left Hand Front Panel Assembly (includes illus. nos. 1 through 3)
	881270*	1	AD-25 Cold Rolled Steel (CRS) Front Panel Assembly (includes illus. nos. 1 through 3)
	881288	1	AD-25 Cold Rolled Steel (CRS) Stainless Steel Front Panel Assembly (includes illus. nos. 1 through 3)
	881996*	1	AD-25 Cold Rolled Steel (CRS) Left Hand Front Panel Assembly (includes illus. nos. 1 through 3)
2	154215	2	5/32" x 1/4" Rivet
3	881987	1	Friction Door Latch Kit (includes illus. nos. 2 and 3)
4	150300	1	#10-16 x 1/2" Hex Washer TEK Screw
5	150309	8	#10-16 x 1/2" Hex Head TEK Crimptite Screw
6	881152	1	Black Top Hinge Block Assembly
	881208	1	Stainless Steel Top Hinge Block Assembly
7	150445	4	1/4-20 x 7/8" Black Cap Head Setscrew
	150443	4	1/4-20 x 7/8" Stainless Steel Cap Head Setscrew
8	881151	1	Black Bottom Hinge Block Assembly
	881209	1	Stainless Steel Bottom Hinge Assembly

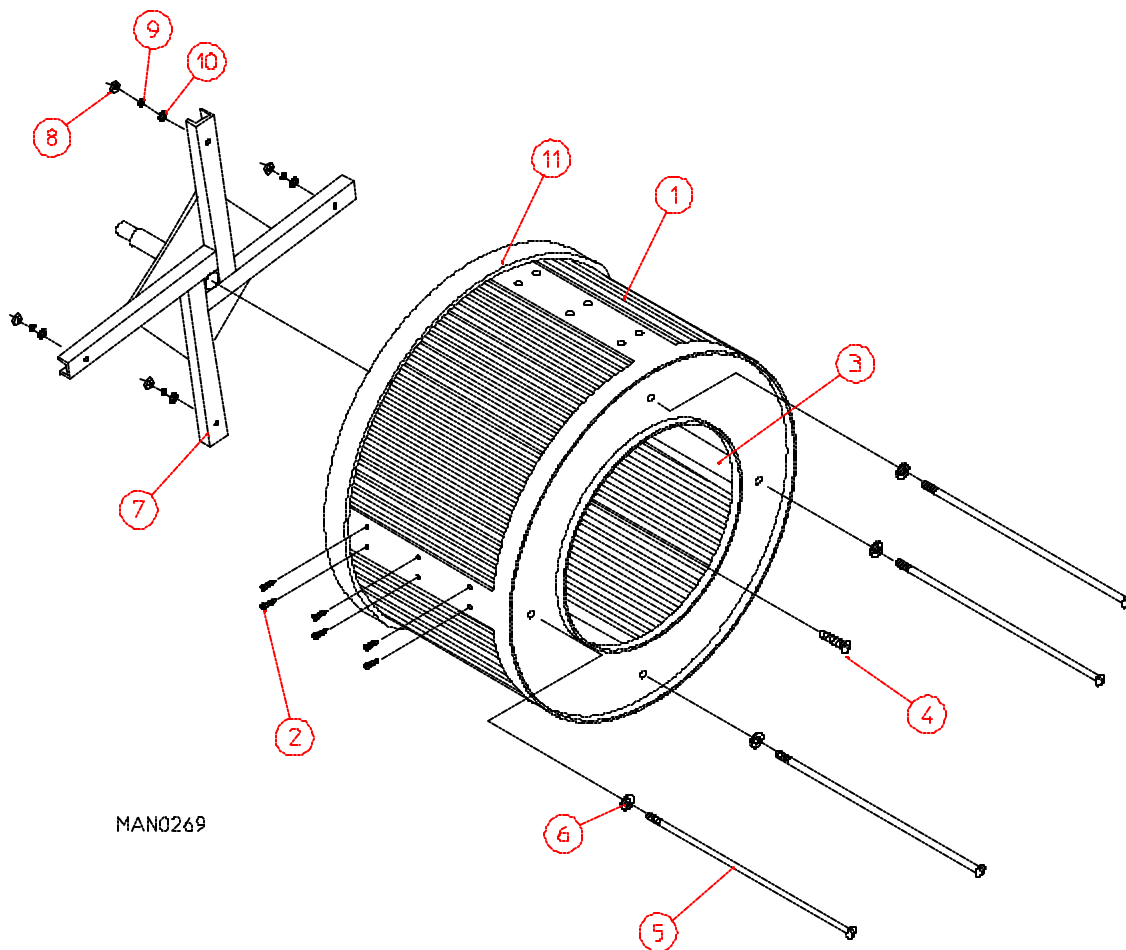
\* Specify color when ordering.

For Models with Plastic Doors



<u>Illus. No.</u>	<u>Part No.</u>	<u>Qty.</u>	<u>Description</u>
1	875300*	1	AD-15 Right Hand Insulated Front Panel Assembly Complete (latch-type) (includes illus. nos. 1 through 3 and 6)
	875301*	1	AD-25 Right Hand Insulated Front Panel Assembly Complete (latch-type) (includes illus. nos. 1 through 3 and 6)
	875311	1	AD-15 Stainless Steel Right Hand Insulated Front Panel Assembly Complete (latch-type) (includes illus. nos. 1 through 3 and 6)
	875312	1	AD-25 Stainless Steel Right Hand Insulated Front Panel Assembly Complete (latch-type) (includes illus. nos. 1 through 3 and 6)
2	154215	2	5/32" x 1/4" Rivet
3	881987	1	Friction Door Latch Kit (includes illus. nos. 2 and 3)
4	150300	1	#10-16 x 1/2" Hex Washer TEK Screw
5	150309	8	#10-16 x 1/2" Hex Head TEK Crimptite Screw
6	121405	1	Rubber Grommet

\* Specify color when ordering.

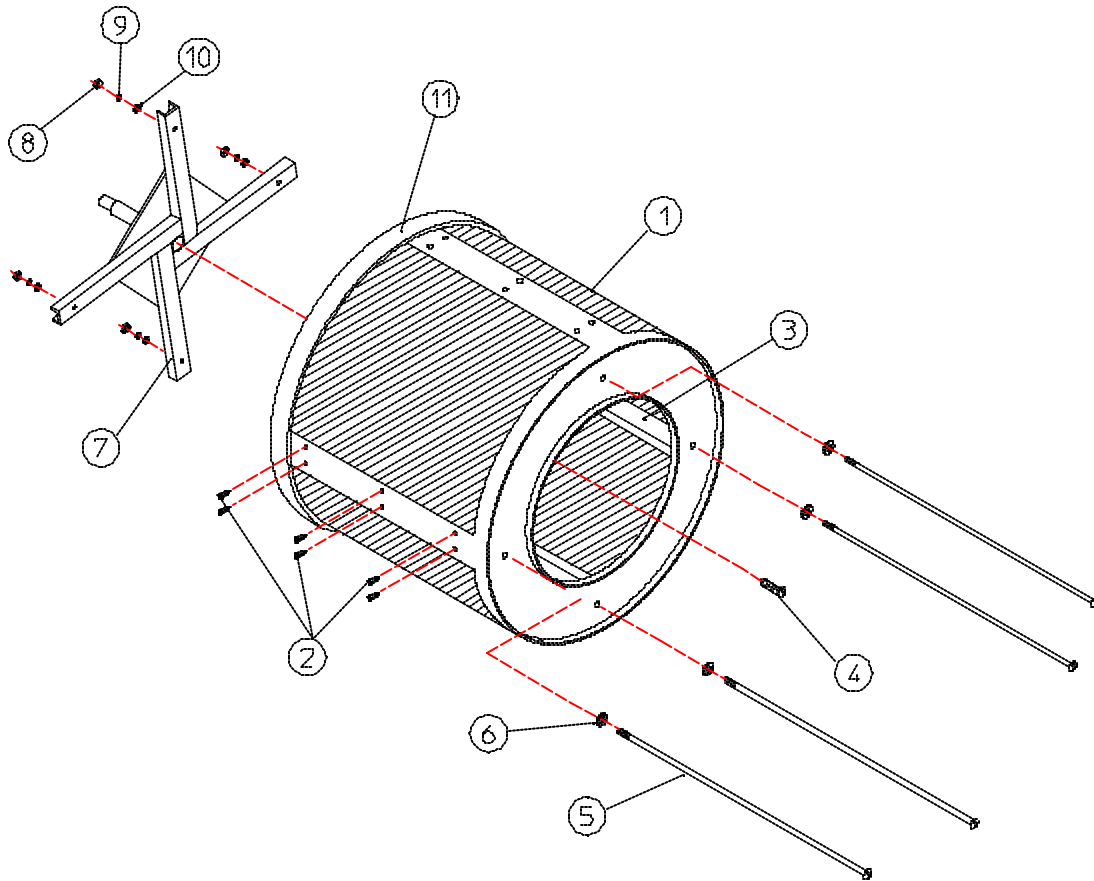


MAN0269

Illus. No.	Part No.	Qty.	Description
1*	800700	1	AD-15 Galvanized Basket (tumbler) ONLY (without felt collar)
	800850	1	AD-15 Stainless Steel Basket (tumbler) ONLY (without felt collar)
	800812	1	AD-15 Galvanized Basket (tumbler) and Support Assembly (includes illus. nos. 1 through 10)
	800860	1	AD-15 Stainless Steel Basket (tumbler) and Support Assembly (includes illus. nos. 1 through 10)
2	150313	24	#10-16 x 1/2" TORX + BTN, Type 1
3	301307	4	AD-15 Galvanized Basket (tumbler) Rib ONLY
	301407	4	AD-15 Stainless Steel Basket (tumbler) Rib ONLY
4**	150518	1	5/16-18 x 3/8" Socket Button Head Screw
5	100900	4	5/16-18 x 17-1/2" Tie Rod
6	153001	4	5/16" Flat Washer
7	800610	1	AD-15 Basket (tumbler) Support ONLY
8	152004	4	5/16-18 Hex Nut
9	153002	4	5/16" Lock Washer
10	153001	4	5/16" Flat Washer
11	116002	1	Felt Collar ONLY
--	401010	1	#847 Adhesive for Felt Collar (5.0 oz. tube)

\* Felt collar is not included and **must be** ordered separately.

\*\* For models mfd. prior to January 21, 2002 ONLY.



MAN0268

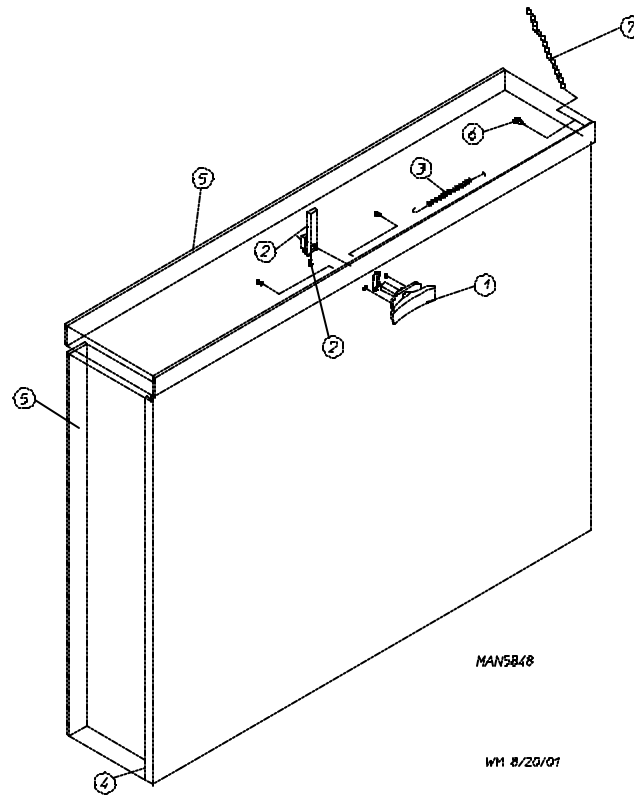
<u>Illus. No.</u>	<u>Part No.</u>	<u>Qty.</u>	<u>Description</u>
1*	800702	1	AD-25 Galvanized Basket (tumbler) ONLY (without felt collar)
	800731	1	AD-25 Stainless Steel Basket (tumbler) ONLY (without felt collar)
	817085	1	AD-25 Galvanized Basket (tumbler) and Support Assembly (includes illus. nos. 1 through 10)
	800752	1	AD-25 Stainless Steel Basket (tumbler) and Support Assembly (includes illus. nos. 1 through 10)
2	150313	24	#10-16 x 1/2" TORX + BTN, Type 1
3	301305	4	AD-25 Galvanized Basket (tumbler) Rib ONLY
	301420	4	AD-25 Stainless Steel Basket (tumbler) Rib ONLY
4**	150518	1	5/16-18 x 3/8" Socket Button Head Screw
5	882049	4	5/16" to 3/8" Tie Rod Kit (includes illus. nos. 5, 6, and 8 through 10)
6	153004	4	5/16" to 3/8" Flat Washer
7	800611	1	AD-25 Basket (tumbler) Support ONLY
8	152005	4	3/8-18 Hex Nut
9	153005	4	3/8" Lock Washer
10	153004	4	3/8" Flat Washer
11	116002	1	Felt Collar ONLY
--	401010	1	#847 Adhesive for Felt Collar (5.0 oz. tube)

\* Felt collar is not included and **must be** ordered separately.

\*\* For models mfd. prior to January 21, 2002 ONLY.

For AD-15 OPL Models Mfd. as of July 24, 1999

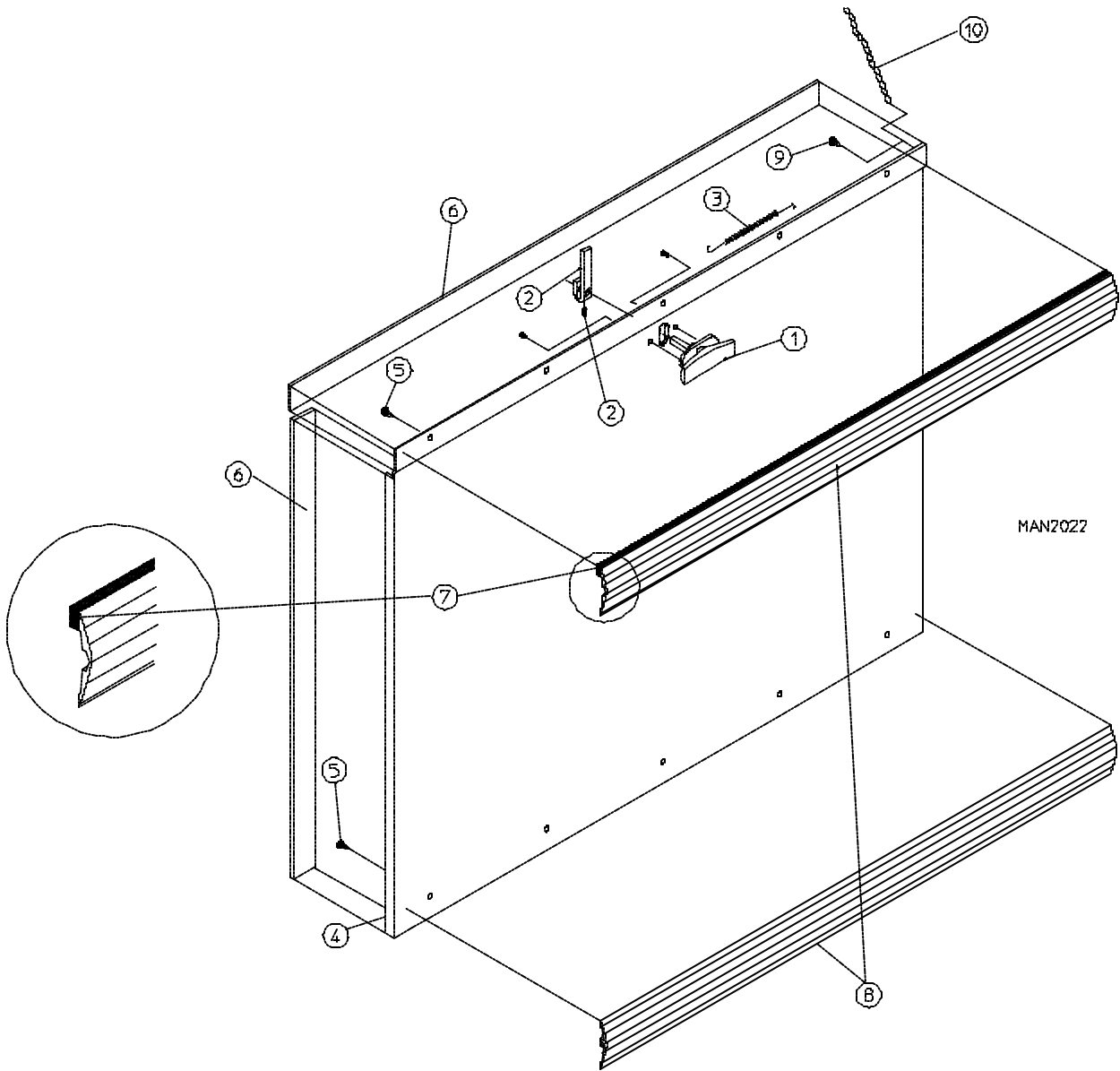
For AD-25 OPL Models Mfd. as of November 11, 1998



<u>Illus. No.</u>	<u>Part No.</u>	<u>Qty.</u>	<u>Description</u>
1	800150	1	Knob Latch Kit Assembly (includes illus. nos. 1 and 2)
	160003	1	Dummy Lock ONLY
	160104	1	MK-100 Key ONLY
2	160008	1	Lock Cam
	160009	1	Knob Latch Adjustable Cam ONLY
	150425	1	#12-24 x 3/8" Round Head Machine Screw ONLY (screw for knob latch adjustable cam)
3	157000	1	Drop Lint Door Spring
4	883143*	1	AD-15 Insulated Lint Door Assembly (includes illus. nos. 4 and 5)
	882264*	1	AD-25 Insulated Lint Door Assembly (includes illus. nos. 4 and 5)
	883141	1	AD-15 Stainless Steel Lint Door Assembly (includes illus. nos. 4 and 5)
	883142	1	AD-25 Stainless Steel Lint Door Assembly (includes illus. nos. 4 and 5)
5	117604	7	Neoprene Sponge Tape (sold by the foot)
6	150419	2	#6 x 1/2" Tamperproof TEK Screw
7	108120	1	Chain for Drop Lint Door (10-1/2" length)
	150418	1	Tamperproof Screw Hand Driver

\* Specify color when ordering.

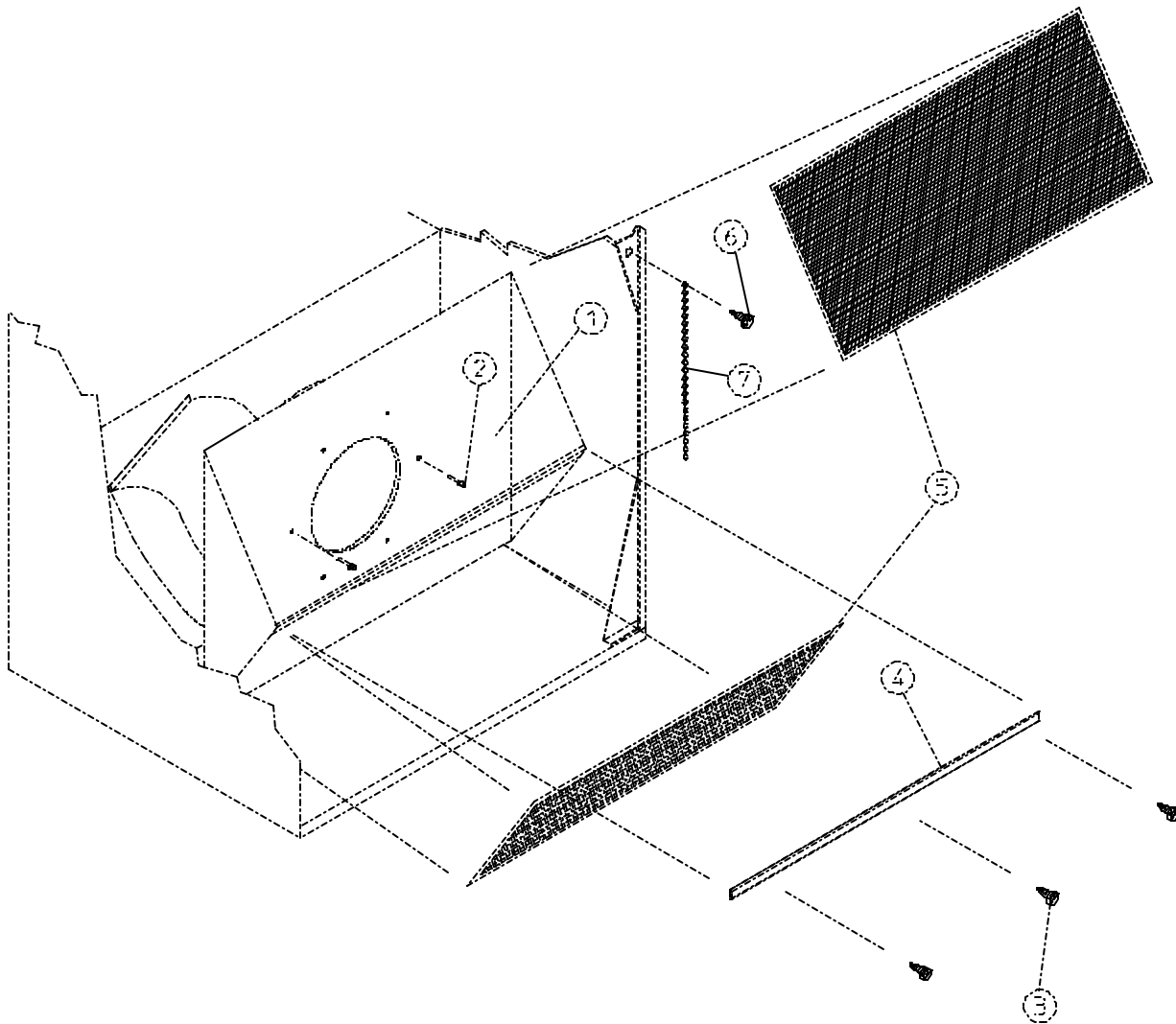
For **ALL** Coin Models  
For AD-15 OPL Models Mfd. prior to July 24, 1999  
For AD-25 OPL Models Mfd. prior to November 11, 1998



**For ALL Coin Models****For AD-15 OPL Models Mfd. prior to July 24, 1999****For AD-25 OPL Models Mfd. prior to November 11, 1998**

<u>Illus. No.</u>	<u>Part No.</u>	<u>Qty.</u>	<u>Description</u>
1	160001	1	Lock Assembly with Key (for coin models Only)
	160103	1	Key ONLY
	800150	1	Knob Latch Kit Assembly (for non-coin models Only)
	160003	1	Dummy Lock ONLY (for non-coin models Only)
	160104	1	MK-100 Key ONLY (master key)
2	160008	1	Lock Cam for Lock and Dummy Lock
	160009	1	Knob Latch Adjustable Cam (for non-coin models Only)
	150425	1	#12-24 x 3/8" Right Hand Machine Screw (for knob latch adjustable cam)
3	157000	1	Drop Lint Door Spring
4	883267*	1	AD-15 Drop Lint Door Assembly with Black Trim (includes illus. nos. 4 through 8)
	800215*	1	AD-15 Drop Lint Door Assembly with Gray Trim (includes illus. nos. 4 through 8)
	800239	1	AD-15 Stainless Steel Drop Lint Door Assembly with Gray Trim
	883268*	1	AD-25 Drop Lint Door Assembly with Black Trim (includes illus. nos. 4 through 8)
	800219*	1	AD-25 Drop Lint Door Assembly with Gray Trim (includes illus. nos. 4 through 8)
	800243	1	AD-25 Stainless Steel Drop Lint Door Assembly with Gray Trim
5	150201	10	#10-32 x 1/4" Phillips Pan Head Machine Screw
6	117604	7	Noise Suppressor Tape (sold by the foot)
7	117603	3	Suppressor Tape/Gasket (sold by the foot) For Models Mfd. as of February 8, 1995
	102307	3	Trim Bumper Gasket (sold by the foot) For Models Mfd. prior to February 8, 1995
8	180210	2	AD-15 Gray Trim/Kick Plate (31-1/8" long)
	180310	2	AD-15 Black Trim/Kick Plate (31-1/8" long)
	180211	2	AD-25 Gray Trim/Kick Plate (34-1/8" long)
	180311	2	AD-25 Black Trim/Kick Plate (34-1/8" long)
9	150419	2	#6 x 1/2" Tamperproof TEK Screw
	150418	1	Tamperproof Screw Hand Driver
10	108120	1	Chain for Drop Lint Door

\* Specify color when ordering.



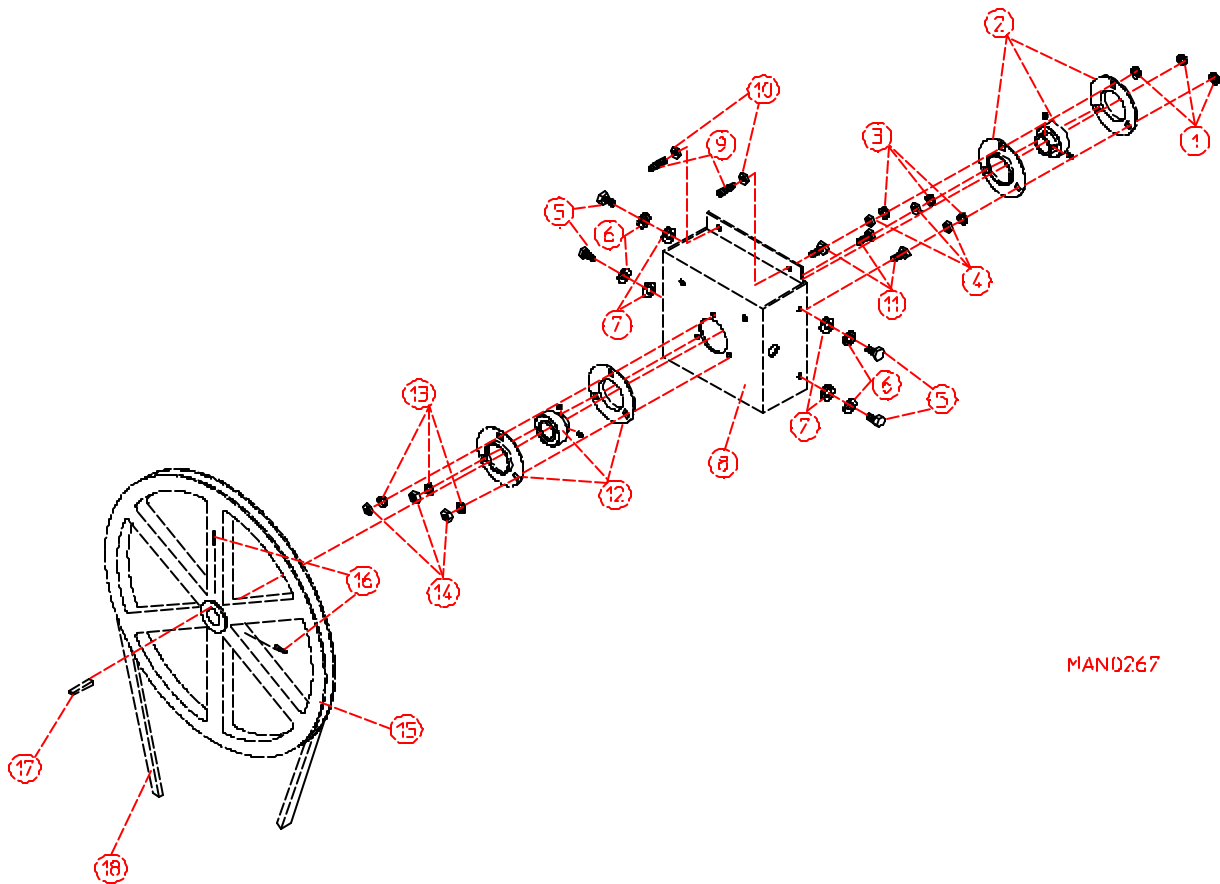
MAN0275

<u>Illus. No.</u>	<u>Part No.</u>	<u>Qty.</u>	<u>Description</u>
1	800425*	1	AD-15/AD-25 Choked Lint Trap Assembly Complete (includes illus. nos. 1, 3, 4, and 5)
	800426*	1	AD-15/AD-25 Choked Lint Trap ONLY
	800400**	1	AD-15/AD-25 Lint Trap Assembly Complete (includes illus. nos. 1, 3, 4, and 5)
	800403**	1	AD-15/AD-25 Lint Trap ONLY
2	154200	6	5/32" Pop Rivet
3	150300	3	#10-16 x 1/2" Hex Washer TEK Screw
4	304100	1	Lint Screen Holder ONLY
5	800500	2	AD-15/AD-25 Lint Screen ONLY
6	150419	2	#6 x 1/2" Tamperproof TEK Screw
7	108120	1	Chain for Drop Lint Door
-	150418	1	Tamperproof Screw Hand Driver

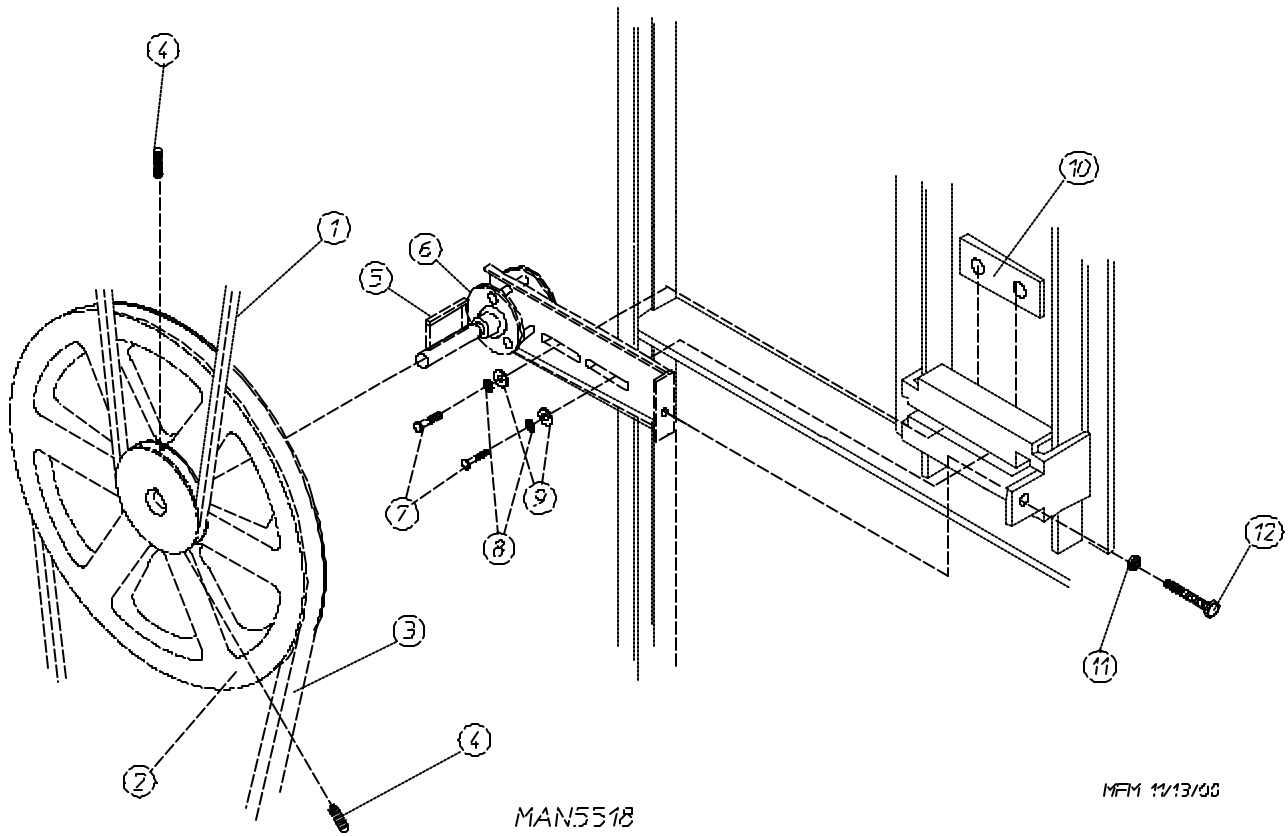
\* For gas models ONLY.

\*\* For electric models and steam models ONLY.



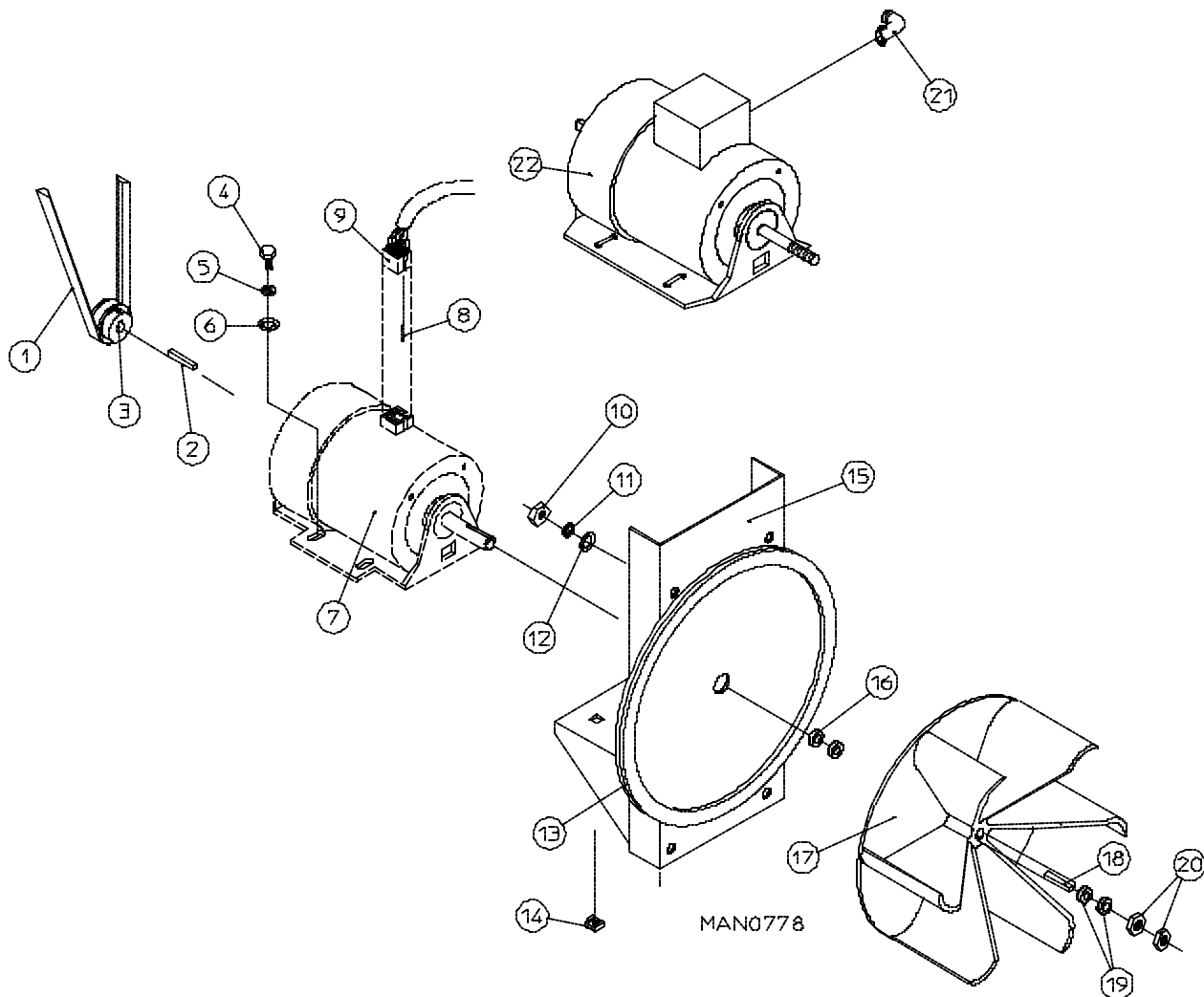


<u>Illus. No.</u>	<u>Part No.</u>	<u>Qty.</u>	<u>Description</u>
1	153002	3	5/16" Lock Washer
2	880213	1	1-1/4" Flange Bearing ONLY
3	153002	3	5/16" Lock Washer
4	152004	3	5/16-18 Hex Nut
5	150501	4	5/16-18 x 3/4" Hex Head Machine Bolt
6	153002	4	5/16" Lock Washer
7	153004	4	3/8" Flat Washer
8	801100	1	1" Bearing Box Assembly Complete (includes illus. nos. 8 through 14)
	801105	1	Bearing Box ONLY
9	150610	2	5/16-18 x 1-1/2" Allen Setscrew
10	152004	2	5/16-18 Hex Nut
11	150501	3	5/16-18 x 3/4" Hex Head Machine Bolt
12	880201	1	1" Flange Bearing ONLY
13	153002	3	5/16" Lock Washer
14	152004	3	5/16-18 Hex Nut
15	101100	1	18" Pulley ONLY
16	154301	2	5/16-18 x 5/16" Setscrew
17	100713	1	1/4" x 1/4" x 7/8" Key
18	100108	1	5L-680 V-Belt (basket [tumbler] to idler) For AD-15
	100107	1	5L-670 V-Belt (basket [tumbler] to idler) For AD-25



---

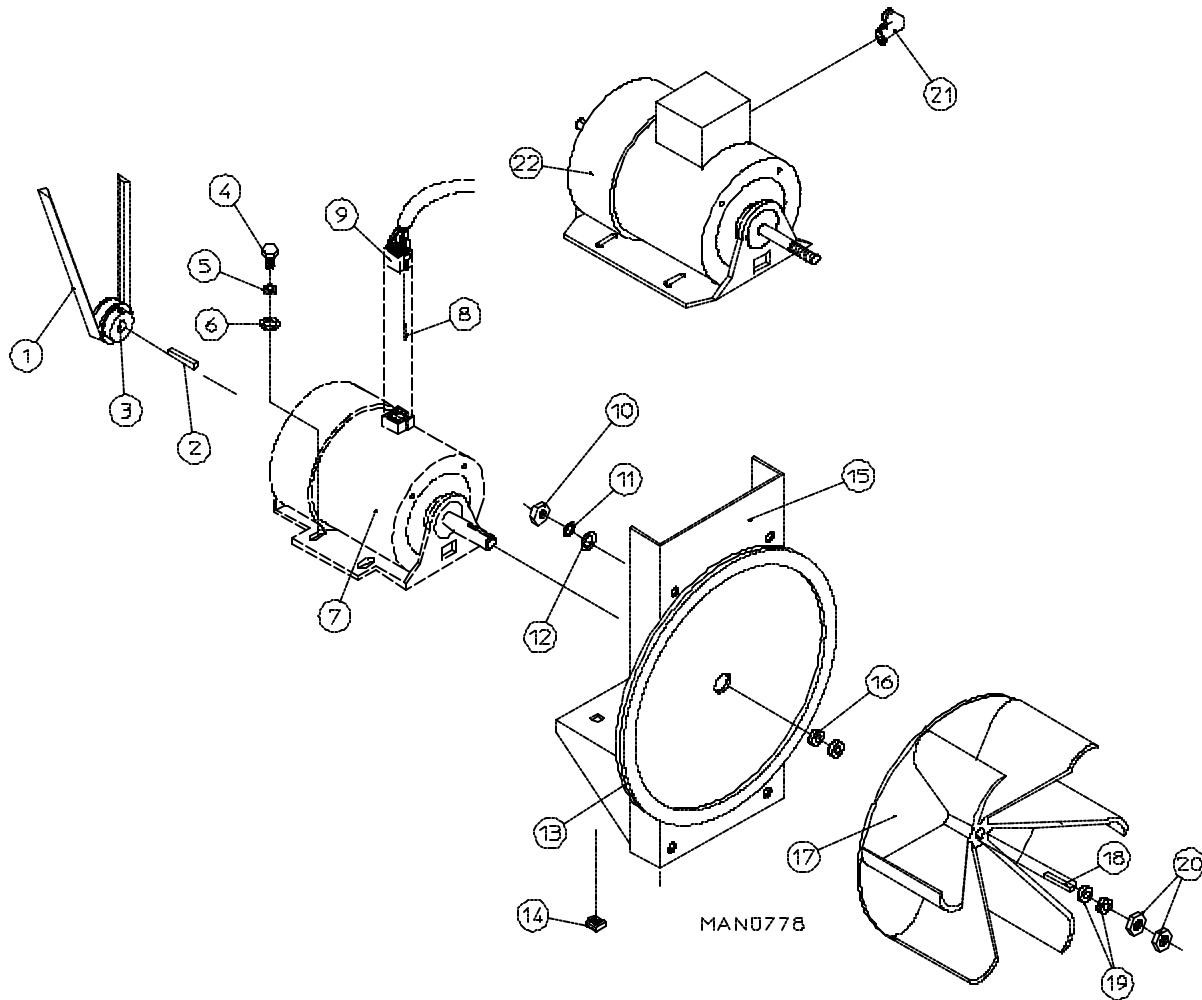
<u>Illus. No.</u>	<u>Part No.</u>	<u>Qty.</u>	<u>Description</u>
1	100108	1	5L-680 V-Belt (idler to basket [tumbler]) For AD-15
	100107	1	5L-670 V-Belt (basket [tumbler] to idler) For AD-25
2	101129	1	9" x 2-1/2" Compound Pulley
3	100110	1	4L-500 V-Belt (idler to motor) For AD-15
			For AD-25 60 Hz ONLY
	100103	1	4L-510 V-Belt (idler to motor) For AD-25 50 Hz ONLY
4	154301	2	5/16-18 x 1" Allen Setscrew
5	100705	1	3/16" x 3/16" x 1-3/8" Key
6	882576	1	Idler Bearing Assembly Complete (includes illus. nos. 5 through 12)
7	150617	2	3/8-16 x 1" Hex Head Machine Bolt
8	153005	2	3/8" Lock Washer
9	153004	2	3/8" Flat Washer
10	801009	1	Idler Square Washer
11	152004	1	5/16-18 Hex Nut
12	150509	1	5/16-18 x 3" Hex Head Machine Bolt



<u>Illus. No.</u>	<u>Part No.</u>	<u>Qty.</u>	<u>Description</u>
1	100110	1	4L-500 V-Belt (to idler assembly)
2	100701	1	3/16" x 3/16" x 1" Key (for use on 3 $\phi$ models Only)
3	101104	1	1/2" x 2" Motor Pulley (for use on 1 $\phi$ - 60 Hz motors Only)
	101131	1	1/2" x 2-1/4" Motor Pulley (for use on 1 $\phi$ - 50 Hz motors Only)
	101132	1	5/8" x 2" Motor Pulley (for use on 3 $\phi$ - 60 Hz motors Only)
	101133	1	5/8" x 2-1/4" Motor Pulley (for use on 3 $\phi$ - 50 Hz motors Only)
4	150501	4	5/16-18 x 3/4" Hex Head Machine Bolt
	153002	4	5/16" Lock Washer
	153001	4	5/16" Flat Washer
7	181049	1	1/2 HP 100-230v 1 $\phi$ 50/60 Hz Plug-Type Motor (for models mfd. as of February 4, 2002)
	883572	1	1/2 HP 240v 1 $\phi$ 50 Hz Plug-Type Motor (for models mfd. prior to February 4, 2002)

<u>Illus. No.</u>	<u>Part No.</u>	<u>Qty.</u>	<u>Description</u>
8	122701	8	Socket Terminal ONLY
	122801	1	Pin/Socket Extraction Tool
9	137030	1	8-Pin Housing Connector
10	152004	4	5/16-18 Hex Nut
11	153002	4	5/16" Lock Washer
12	153001	4	5/16" Flat Washer
13	117604	4	1/8" x 3/8" Sponge Tape (sold by the foot)
14	154000	4	5/16-18 Tinnerman Nut
15	800908	1	1/2 HP Motor Mount ONLY (56Z frame)
	803930*	1	1/2 HP 115-230v 1 $\phi$ 60 Hz Motor Mount Assembly Complete with Plug Motor (includes illus. nos. 2 through 7 and 13 through 20)
	880819	1	1/2 HP 240v 1 $\phi$ 50 Hz Motor Mount Assembly Complete with Plug Motor (includes illus. nos. 2 through 7 and 13 through 20)
	803801*	1	1/2 HP 208/230/380/460v 3 $\phi$ 60 Hz Totally Enclosed, Fan-Cooled (T.E.F.C.) Motor Mount Assembly Complete (includes illus. nos. 2 through 6 and 13 through 22)
	803800*	1	1/2 HP 208/230/380/460v 3 $\phi$ 50 Hz Totally Enclosed, Fan-Cooled (T.E.F.C.) Motor Mount Assembly Complete (includes illus. nos. 2 through 6 and 13 through 22)
16	153050	2	1/2" S.A.E. Flat Washer
17	100604	1	12-1/2" Impellor with 1/2" Bore
18	100702	1	1/8" x 1/8" x 1-1/2" Key
19	153050	2	1/2" S.A.E. Flat Washer
20	152006	2	1/2-20 Left Hand Jam Nut
21	120200	1	3/8" 90° Connector
22	100007*	1	1/2 HP 208/230/380/460v 3 $\phi$ 50/60 Hz Totally Enclosed, Fan-Cooled (T.E.F.C.) Motor (56Z frame)

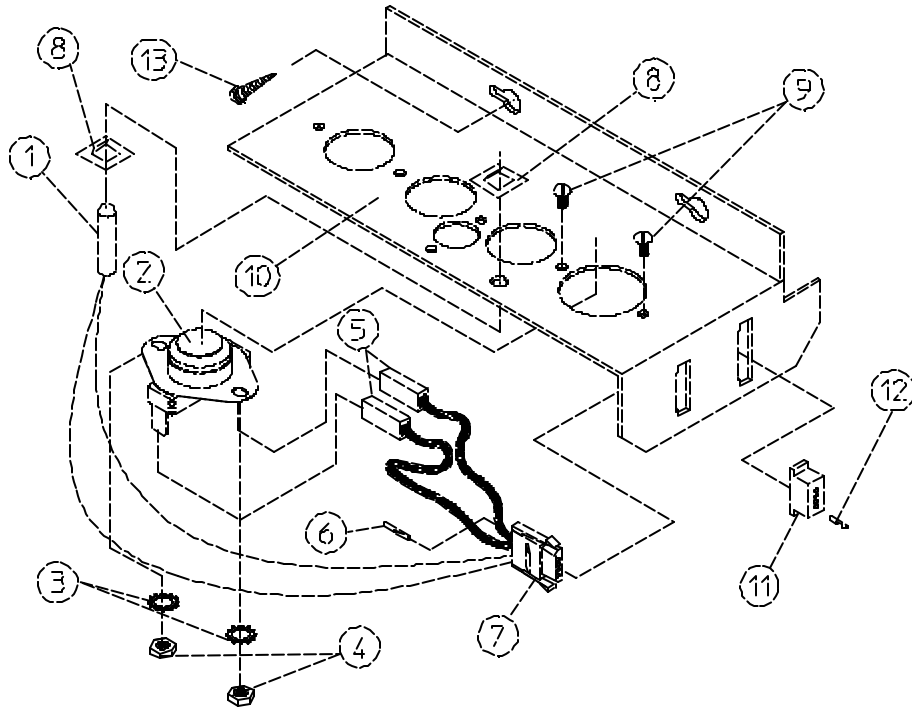
\* Specify voltage when ordering.



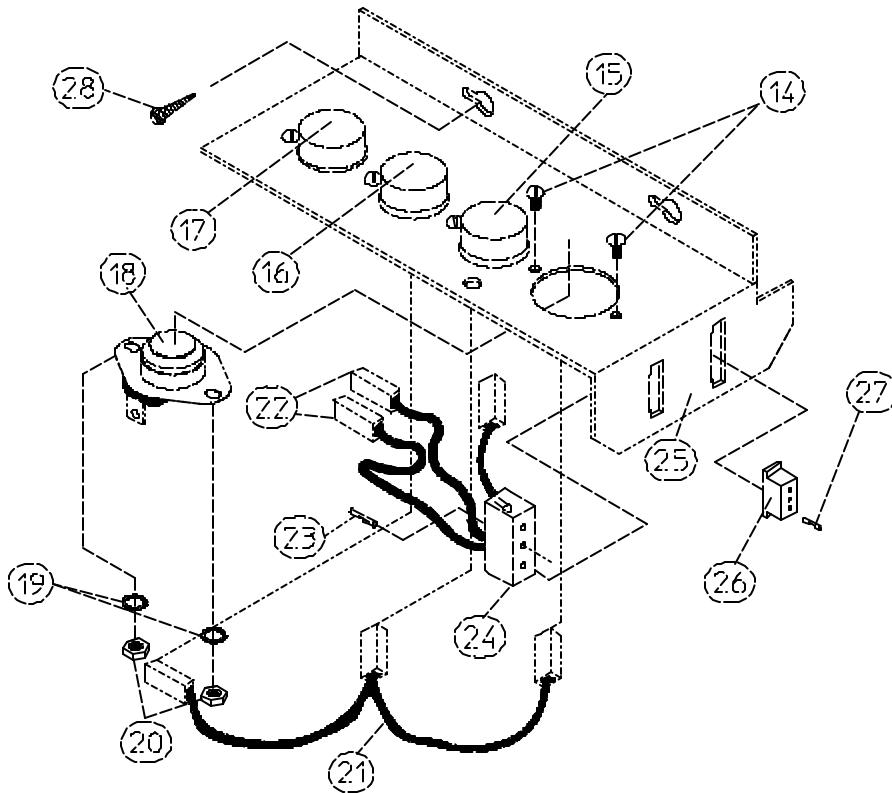
<u>Illus. No.</u>	<u>Part No.</u>	<u>Qty.</u>	<u>Description</u>
1	100110	1	4L-500 V-Belt (to idler assembly) 60 Hz
	100103	1	4L-510 V-Belt (to idler assembly) 50 Hz
2	100701	1	3/16" x 3/16" x 1" Key (for use on 3ø models Only)
3	101102	1	1/2" x 1-3/4" Motor Pulley (for use on 1ø - 60 Hz motors Only)
	101103	1	5/8" x 1-3/4" Motor Pulley (for use on 3ø - 60 Hz motors Only)
	101104	1	1/2" x 2" Motor Pulley (for use on 1ø - 50 Hz motors Only)
	101132	1	5/8" x 2" Motor Pulley (for use on 3ø - 50 Hz motors Only)
4	150501	4	5/16-18 x 3/4" Hex Head Machine Bolt
	153002	4	5/16" Lock Washer
6	153001	4	5/16" Flat Washer
	181049	1	1/2 HP 100-230v 1ø 50/60 Hz Plug-Type Motor (for <b>ALL</b> 50/60 Hz models mfd. as of February 4, 2002)
7	883573	1	1/2 HP 240v 1ø 50 Hz Plug-Type Motor - Includes 2" Motor Pulley (for models mfd. prior to February 4, 2002)

<u>Illus. No.</u>	<u>Part No.</u>	<u>Qty.</u>	<u>Description</u>
8	122701	8	Socket Terminal ONLY
	122801	1	Pin/Socket Extraction Tool
9	137030	1	8-Pin Housing Connector
10	152004	4	5/16-18 Hex Nut
11	153002	4	5/16" Lock Washer
12	153001	4	5/16" Flat Washer
13	117604	4	1/8" x 3/8" Sponge Tape (sold by the foot)
14	154000	4	5/16-18 Tinnerman Nut
15	850017	1	1/2 HP Motor Mount ONLY (56Z frame)
	803935*	1	1/2 HP 115-230v 1 $\phi$ 60 Hz Motor Mount Assembly Complete with Plug Motor (includes illus. nos. 2 through 7 and 13 through 20)
	880820	1	1/2 HP 240v 1 $\phi$ 50 Hz Motor Mount Assembly Complete with Plug Motor (includes illus. nos. 2 through 7 and 13 through 20)
	803807*	1	1/2 HP 208/230/380/460v 3 $\phi$ 60 Hz Totally Enclosed, Fan-Cooled (T.E.F.C.) Motor Mount Assembly Complete (includes illus. nos. 2 through 6 and 13 through 22)
	803806*	1	1/2 HP 208/230/380/460v 3 $\phi$ 50 Hz Totally Enclosed, Fan-Cooled (T.E.F.C.) Motor Mount Assembly Complete (includes illus. nos. 2 through 6 and 13 through 22)
16	153050	2	1/2" S.A.E. Flat Washer
17	100604	1	12-1/2" Impellor with 1/2" Bore
18	100702	1	1/8" x 1/8" x 1-1/2" Key
19	153050	2	1/2" S.A.E. Flat Washer
20	152006	2	1/2-20 Left Hand Jam Nut
21	120200	1	3/8" 90° Connector
22	100007*	1	1/2 HP 208/230/380/460v 3 $\phi$ 50/60 Hz Totally Enclosed, Fan-Cooled (T.E.F.C.) Motor (56Z frame)

\* Specify voltage when ordering.



MICROPROCESSOR SENSOR BRACKET ASSEMBLY

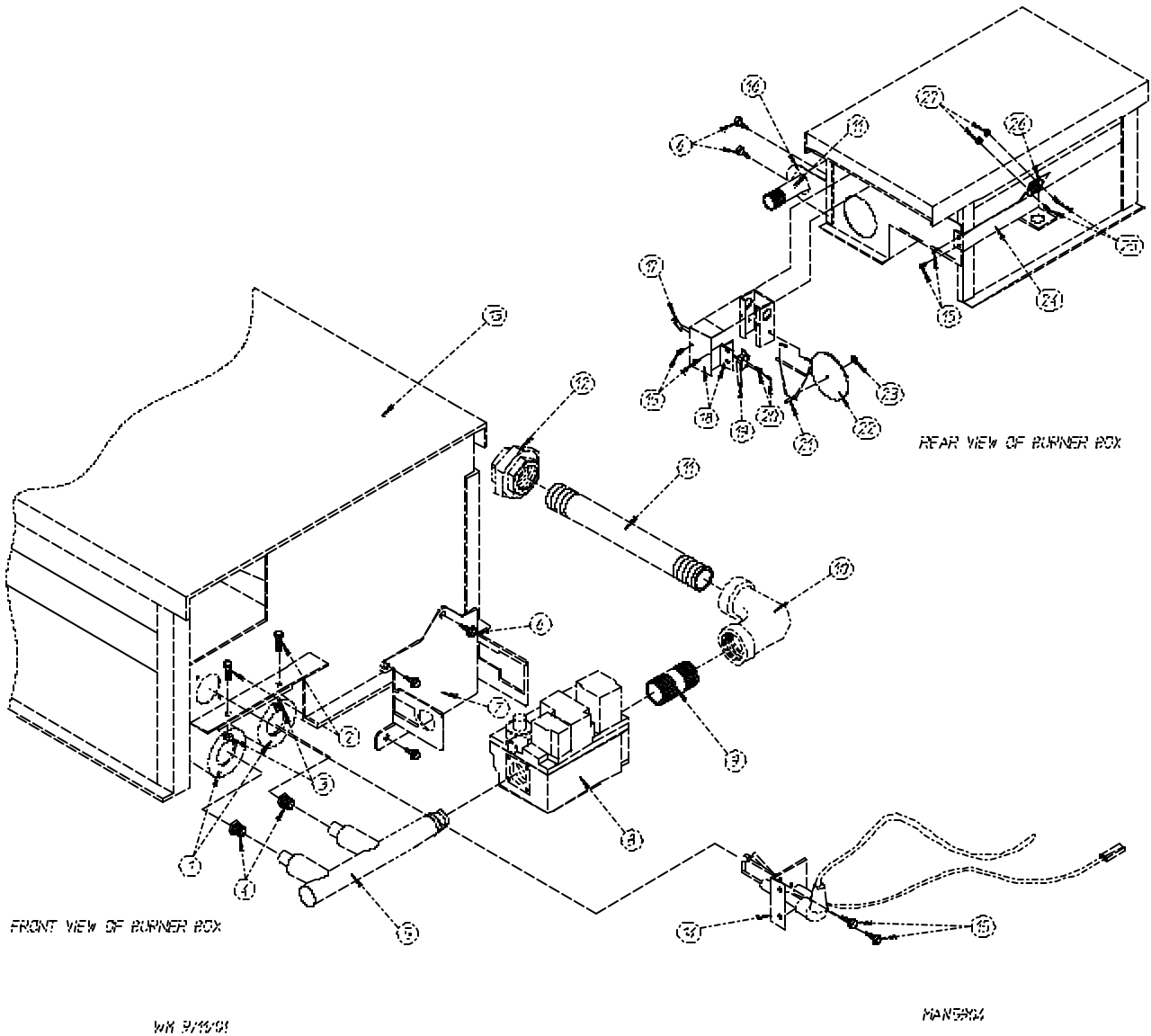


MAN0238

NON-COMPUTER SENSOR BRACKET ASSEMBLY



<u>Illus. No.</u>	<u>Part No.</u>	<u>Qty.</u>	<u>Description</u>
1	880251	1	1/4" Temperature Sensor Probe Assembly (includes illus. nos. 1 and 5 through 8)
2	130103	1	225° Large Automatic Reset Thermostat
3	153010	2	#6 Star Washer
4	152000	2	#6-32 Hex Nut
5	121028	2	Insulated Terminal ONLY
6	122701	4	Socket Terminal ONLY
7	122605	1	4-Pin Socket Connector ONLY
8	154007	2	1/4" Tinnerman Push On Fastener
9	150005	2	#6-32 x 1/4" Round Head Machine Screw
10	801425	1	Microprocessor Sensor Bracket Assembly Complete (includes illus. nos. 1 through 10)
	305007	1	Universal Sensor Bracket ONLY
11	122604	1	4-Pin Connector ONLY
12	122700	4	Pin Terminal ONLY
13	150301	2	#8-18 x 7/16" Phillips Pan Head TEK Screw
14	150005	5	#6-32 x 1/4" Slotted Round Head Machine Screw
15	130111	1	130° Large Thermostat
16	130100	1	150° Large Thermostat
17	130103	1	225° Large Automatic Reset Thermostat
18	130101	1	180° Large Thermostat
19	153010	5	#6 Star Washer
20	152000	5	#6-32 Hex Nut
21	840065	1	Sensor Jumper ONLY
22	121028	4	Insulated Terminal ONLY
23	122701	4	Socket Terminal ONLY
24	122605	1	4-Pin Socket Connector ONLY
	840062	1	Sensor Bracket Harness Assembly (includes illus. nos. 22 through 24)
25	801418	1	Noncomputer Sensor Bracket Assembly Complete - Includes Thermostats (includes illus. nos. 14 through 25)
	305007	1	Universal Sensor Bracket ONLY
26	122604	1	4-Pin Connector ONLY
27	122700	4	Pin Terminal ONLY
	122801	1	Pin/Socket Extraction Tool
28	150301	2	#8-18 x 7/16" Phillips Pan Head TEK Screw

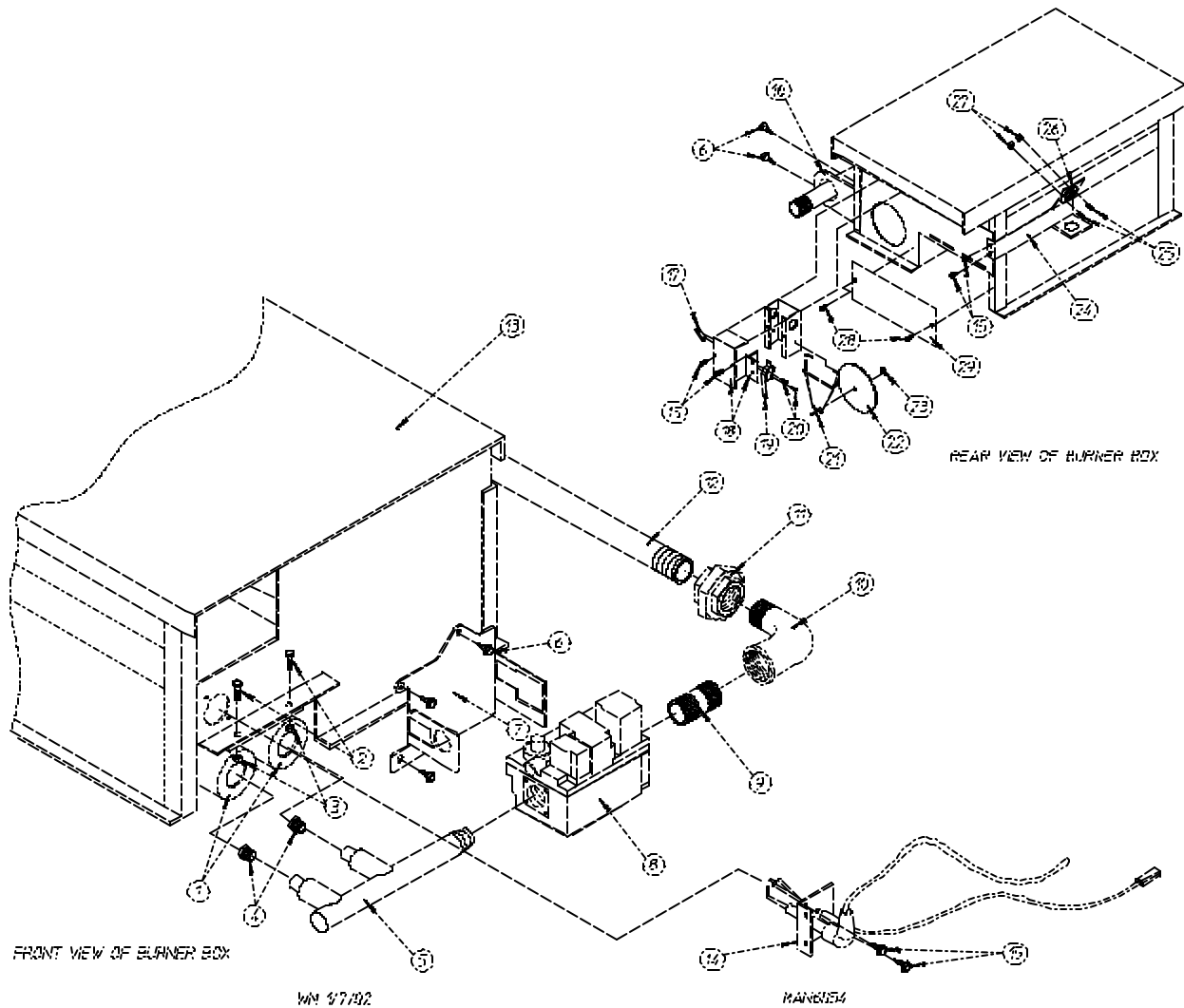


<u>Illus. No.</u>	<u>Part No.</u>	<u>Qty.</u>	<u>Description</u>
1	141104	2	Small Burner Tube
2	150108	2	#8-32 x 1/2" Pan Head Machine Screw
3	151001	2	#8-32 Pal Nut
4	140811	2	#41 Natural Gas Burner Orifice for Non-Heat Reclaimer Models ONLY
	140848	2	#54 Liquid Propane (L.P.) Burner Orifice for Non-Heat Reclaimer Models ONLY
	140809	2	#43 Natural Gas Burner Orifice for Heat Reclaimer Models ONLY
	140848	2	#54 Liquid Propane (L.P.) Burner Orifice for Heat Reclaimer Models ONLY
5	141230	1	1/2" 2-Port Manifold
6	150309	5	#10-16 x 1/2" Hex Head TEK Crimptite Screw
7	318716	1	Gas Valve Bracket

---

**For Models Mfd. as of May 20, 2000**

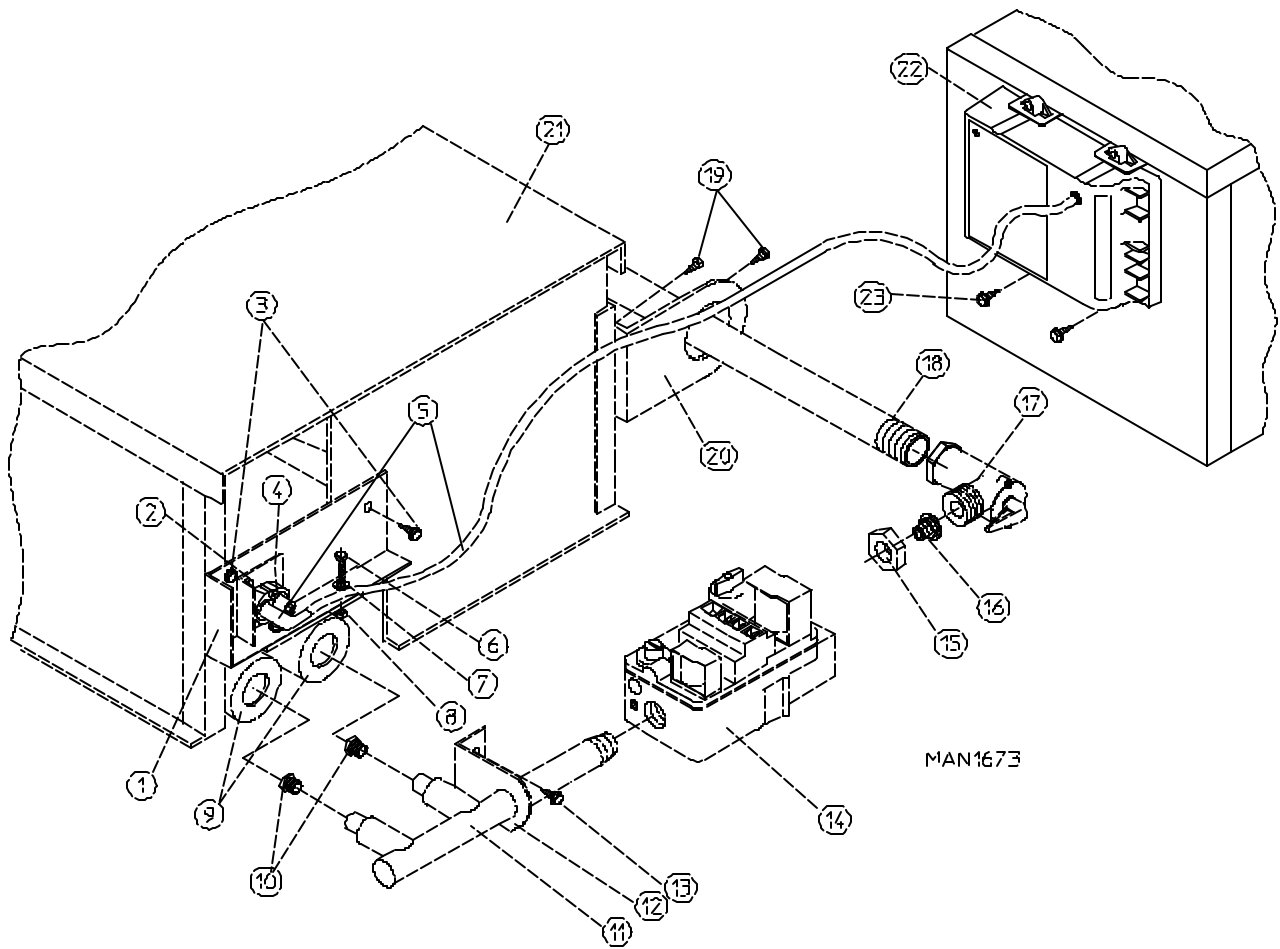
<u>Illus. No.</u>	<u>Part No.</u>	<u>Qty.</u>	<u>Description</u>
8	128927	1	1/2" 24 VAC Redundant Gas Valve (natural gas) (refer to <b>DSI L.P. Conversion Kit Listing</b> on <b>page 65</b> )
	880960	1	1/2" 24 VAC Liquid Propane (L.P.) Gas Valve
9	142707	1	1/2" x 1-1/2" B.I. Nipple
10	142500	1	1/2 x 90° Elbow
11	142754	2	1/2" x 8" B.I. Nipple
12	142600	1	1/2" Black Union
13	883145	1	Natural Gas Burner Box Assembly Complete Less Orifice For Non-Heat Reclaimer Models ONLY
	883146	1	Liquid Propane (L.P.) Burner Box Assembly Complete Less Orifice For Non-Heat Reclaimer Models ONLY
	883147	1	Heat Reclaimer Natural Gas Burner Box Assembly Complete Less Orifice
	883148	1	Heat Reclaimer Liquid Propane (L.P.) Burner Box Assembly Complete Less Orifice
	850850	1	Non-Heat Reclaimer Burner Box ONLY
	809750	1	Heat Reclaimer Burner Box ONLY
14	809308	1	Ignitor/Flame-Probe Assembly with Leads
	880330	1	High Voltage (HV) Wire and Connector Assembly
15	150300	6	#10-16 x 1/2" Hex Washer TEK Screw
16	318700	1	Pipe Bracket
17	154004	1	Twin Speed Nut
18	802799	1	Sail Switch Box Cover and Bracket ONLY
19	122200	1	Sail Switch
20	150303	2	#4 x 3/4" Pan Head Machine Screw
21	105500	1	Sail Switch Actuator Rod
22	319202	1	Sail Switch Damper (flat)
23	154002	1	1/8" Push On Fastener
	802800	1	Sail Switch Box with Cover
	802801	1	Sail Switch Assembly Complete (includes illus. nos. 15 and 17 through 23)
24	319704	1	Hi-Limit Mounting Bracket
25	150001	2	#6-32 x 1/2" Phillips Round Head Machine Screw
26	130201	1	330° Manual Reset Hi-Limit
27	151000	2	#6-32 Pal Nut



<u>Illus. No.</u>	<u>Part No.</u>	<u>Qty.</u>	<u>Description</u>
1	141104	2	Small Burner Tube
2	150108	2	#8-32 x 1/2" Pan Head Machine Screw
3	151001	2	#8-32 Pal Nut
4	140818	2	#31 Natural Gas Burner Orifice for Non-Heat Reclaimer Models ONLY
	140802	2	#50 Liquid Propane (L.P.) Burner Orifice for Non-Heat Reclaimer Models ONLY
	140852	2	#34 Natural Gas Burner Orifice for Heat Reclaimer Models ONLY
	140801	2	#51 Liquid Propane (L.P.) Burner Orifice for Heat Reclaimer Models ONLY
5	141230	1	1/2" 2-Port Manifold

For Models Mfd. as of May 20, 2000

<u>Illus. No.</u>	<u>Part No.</u>	<u>Qty.</u>	<u>Description</u>
6	150309	5	#10-16 x 1/2" Hex Head TEK Crimptite Screw
7	318716	1	Gas Valve Bracket
8	128927	1	1/2" 24 VAC Redundant Gas Valve (natural gas) (refer to <b>DSI L.P. Conversion Kit Listing</b> on <b>page 65</b> )
	880960	1	1/2" 24 VAC Liquid Propane (L.P.) Gas Valve
9	142707	1	1/2" x 1-1/2" B.I. Nipple
10	142506	1	1/2" x 1/2" Street Elbow
11	142600	1	1/2" Black Union
12	142800	1	1/2" x 18" Pipe
13	883151	1	Natural Gas Burner Assembly Complete Less Orifice for Non-Heat Reclaimer Models ONLY
	883152	1	Liquid Propane (L.P.) Burner Assembly Complete Less Orifice for Non-Heat Reclaimer Models ONLY
	883153	1	Natural Gas Burner Assembly Complete Less Orifice for Heat Reclaimer Models ONLY
	883154	1	Liquid Propane (L.P.) Burner Assembly Complete Less Orifice for Heat Reclaimer Models ONLY
	850850	1	Non-Heat Reclaimer Burner Box ONLY
	809750	1	Heat Reclaimer Burner Box ONLY
14	809307	1	Ignitor/Flame-Probe Assembly
	880330	1	High Voltage (HV) Wire and Connector Assembly
15	150300	6	#10-16 x 1/2" Hex Washer TEK Screw
16	318700	1	Pipe Bracket
17	154004	1	Twin Speed Nut
18	802799	1	Sail Switch Box Cover and Bracket ONLY
	802801	1	Sail Switch Assembly Complete
19	122200	1	Sail Switch
20	150303	2	#4 x 3/4" Pan Head Machine Screw
21	105500	1	Sail Switch Actuator Rod
22	319202	1	Sail Switch Damper (flat)
23	154002	1	1/8" Push On Fastener
24	319704	1	Hi-Limit Mounting Bracket
25	150001	2	#6-32 x 1/2" Phillips Round Head Machine Screw
26	130201	1	330° Manual Reset Hi-Limit
27	151000	2	#6-32 Pal Nut
28	150309	2	#10-16 x 1/2" Hex Head TEK Crimptite Screw (for 50 Hz models Only)
29	318202	1	Rear Burner Air Deflector (for 50 Hz models Only)

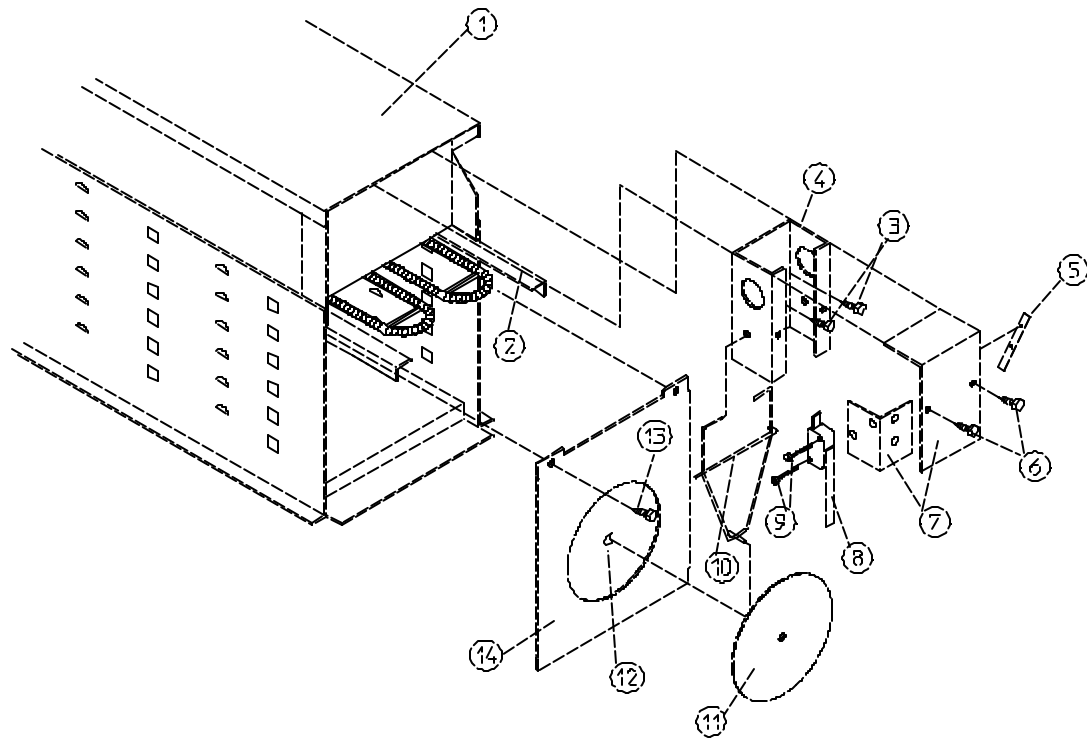


---

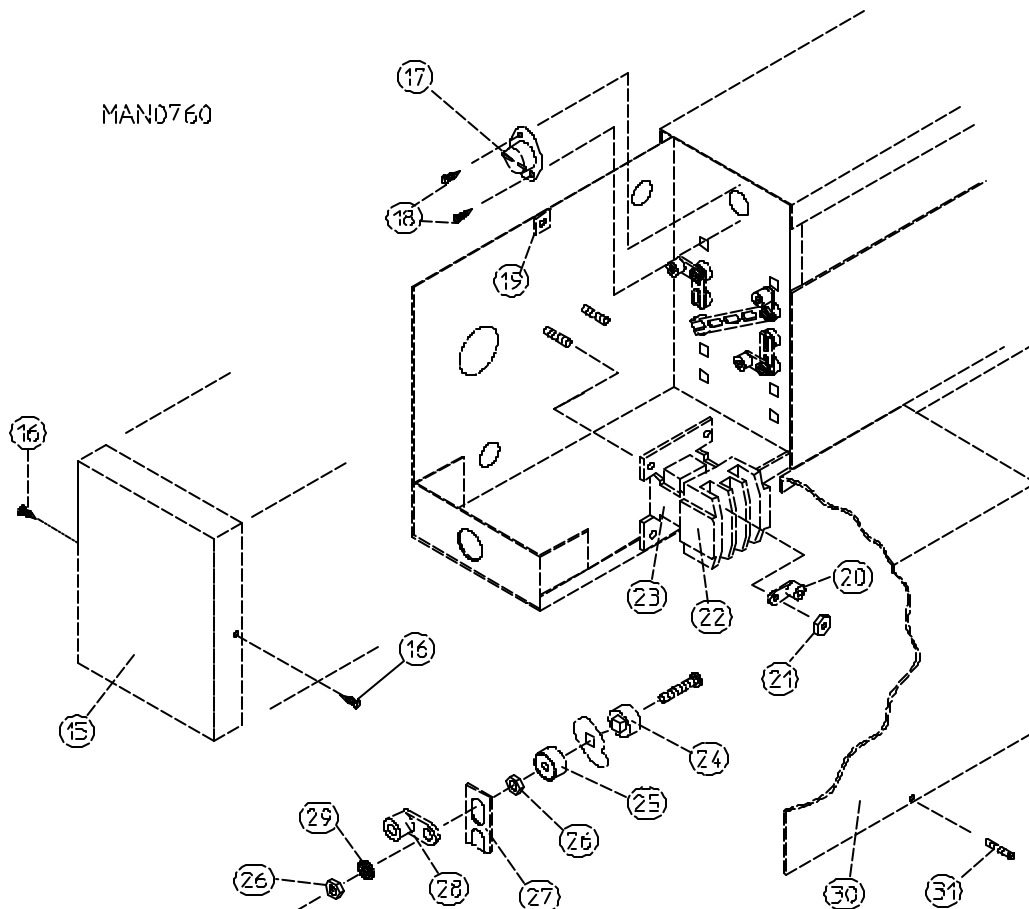
 For Models Mfd. prior to May 20, 2000

<u>Illus. No.</u>	<u>Part No.</u>	<u>Qty.</u>	<u>Description</u>
1	318030	1	Direct Spark Ignition (DSI) Burner Shield
2	150300	2	#10-16 x 1/2" Hex Washer TEK Screw
3	150309	2	#10-16 x 1/2" Hex Head TEK Crimptite Screw
4	880134	1	Ignitor/Flame-Probe Kit Assembly (includes illus. nos. 4 and 5)
5	880330	1	High Voltage (HV) Wire Connector Assembly
6	150103	2	#8-32 x 1/2" Pan Head Machine Screw
7	153000	2	#8 Steel Burr
8	151001	2	#8-32 Pal Nut
9	141104	2	Small Tube Burner ONLY
10	-----	2	Burner Orifice (refer to <b>DSI Burner Orifice Listing</b> on <b>page 65</b> )
11	141230	1	1/2" Direct Spark Ignition (DSI) Manifold (2-port)
12	318700	1	Pipe Bracket (bent)
13	150300	2	#10-16 x 1/2" Hex Washer TEK Screw
14	128927	1	1/2" 24 VAC Redundant Gas Valve (natural gas)
	880960	1	1/2" 24 VAC Liquid Propane (L.P.) Gas Valve
15	-----*		Tail Piece Collar ONLY
16	-----*	1	1/2" Union Tail Piece ONLY
17	881367	1	Union Shut Off Body Complete with Tail Piece and Collar (includes illus. nos. 15 through 17)
18	142800	1	1/2" x 18" Pipe
19	150309	4	#10-16 x 1/2" Hex Head TEK Crimptite Screw
20	318700	2	Pipe Bracket (bent)
21	850850	1	Non-Heat Reclaimer Burner Box ONLY
	850861	1	Heat Reclaimer Burner Box ONLY
	-----	1	Burner Assembly Complete Less Orifices (refer to <b>DSI Burner Assembly Listing</b> on <b>page 65</b> )
22	882627	1	ADC Direct Spark Ignition (DSI) Module ONLY
23	150299	4	#10 x 1" Hex Washer TEK Screw
--	-----	1	Conversion Kit (refer to <b>DSI L.P. Conversion Kit Listing</b> on <b>page 65</b> )

\* Not available individually...**must be** purchased as an assembly.



ELECTRIC OVEN (FRONT VIEW)



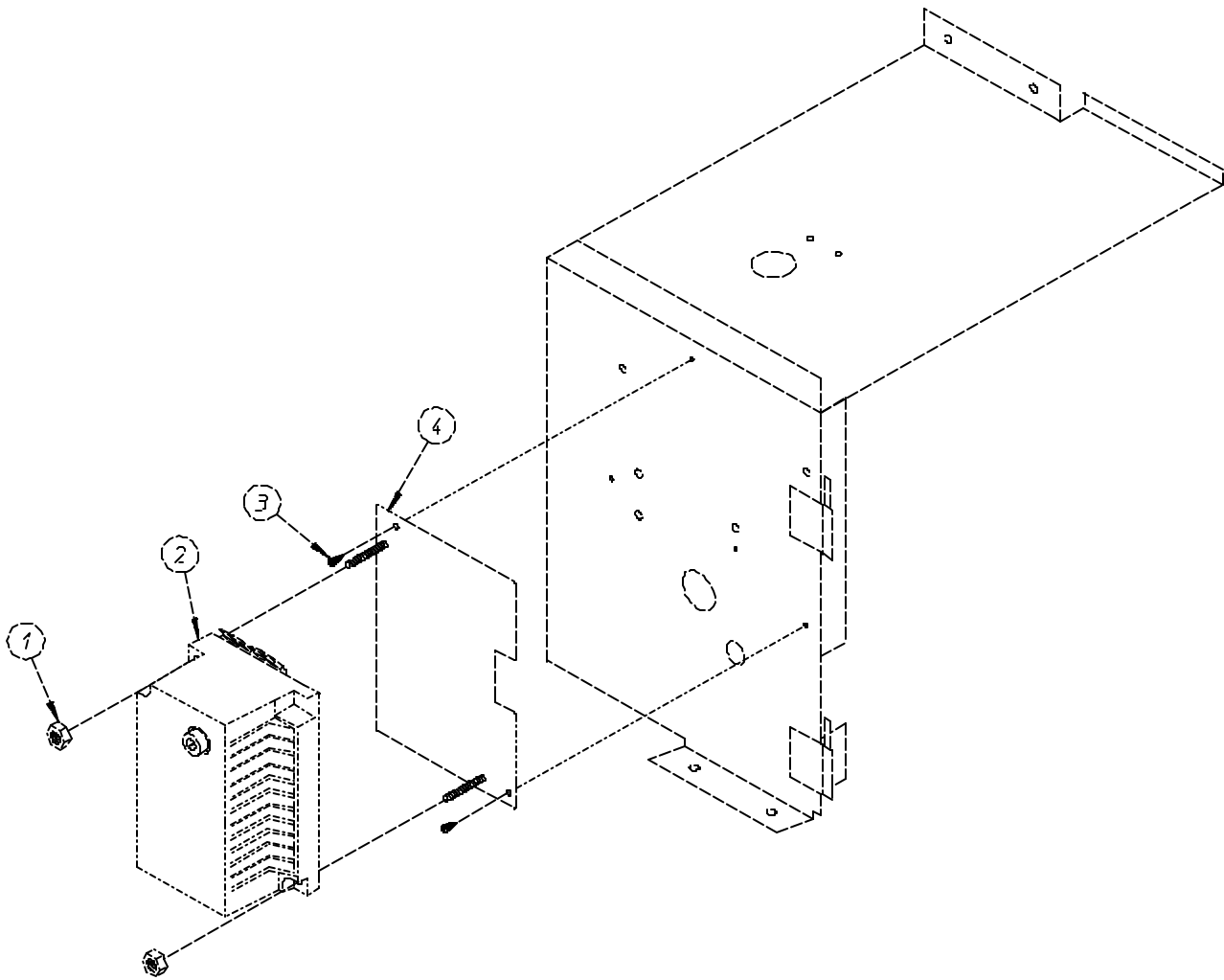
MAND760

ELECTRIC OVEN (REAR VIEW)



<u>Illus. No.</u>	<u>Part No.</u>	<u>Qty.</u>	<u>Description</u>
1	803003*	1	Small Electric Oven Box ONLY
	-----*	1	Electric Oven Assembly Complete
2	-----*	-	Electric Element
3	150300	2	#10-16 x 1/2" Hex Washer TEK Screw
4	802800	1	Sail Switch Box with Bracket and Cover ONLY
	802801	1	Sail Switch Box Assembly Complete (includes illus. nos. 4 through 12)
5	154004	1	Twin Speed Nut
6	150309	2	#10-16 x 1/2" Hex Head TEK Crimptite Screw
7	802799	1	Sail Switch Box Cover ONLY
8	122200	1	Sail Switch ONLY
9	150303	2	#4 x 3/4" Pan Head "A" Machine Screw
10	105500	1	Sail Switch Actuator Rod
11	319202	1	Sail Switch Damper (flat)
12	154002	1	1/8" Push On Fastener
13	150300	2	#10-16 x 1/2" Hex Washer TEK Screw
14	803100	1	Electric Oven Front Cover ONLY
15	320611	1	Large Relay Box Cover ONLY
16	150207	2	#10-24 x 1/2" Phillips Round Head Machine Screw
17	130400	1	290° Hi-Limit
18	150300	2	#10-16 x 1/2" Hex Washer TEK Screw
19	154001	2	#10-24 Speed Nut
20	121010	1	L-70 Ground Lug
21	152014	3	1/4-20 Free Spin Wash Nut
22	-----*	1	Oven Relay
23	-----*	1	Oven Relay Replacement Coil
24	120081	-	Internal Ceramic Insulator (2 per element)
25	120080	-	External Ceramic Insulator (2 per element)
26	152008	-	#10-32 Hex Nut (4 per element)
27	121011*	-	Bus Bar
28	-----*	-	Terminal Lug
29	153009	-	#10 Star Washer (2 per element)
30	321300	1	Small Electric Oven Right Side Cover ONLY
31	150402	2	#10-24 x 5/8" Slotted Truss Head Machine Screw

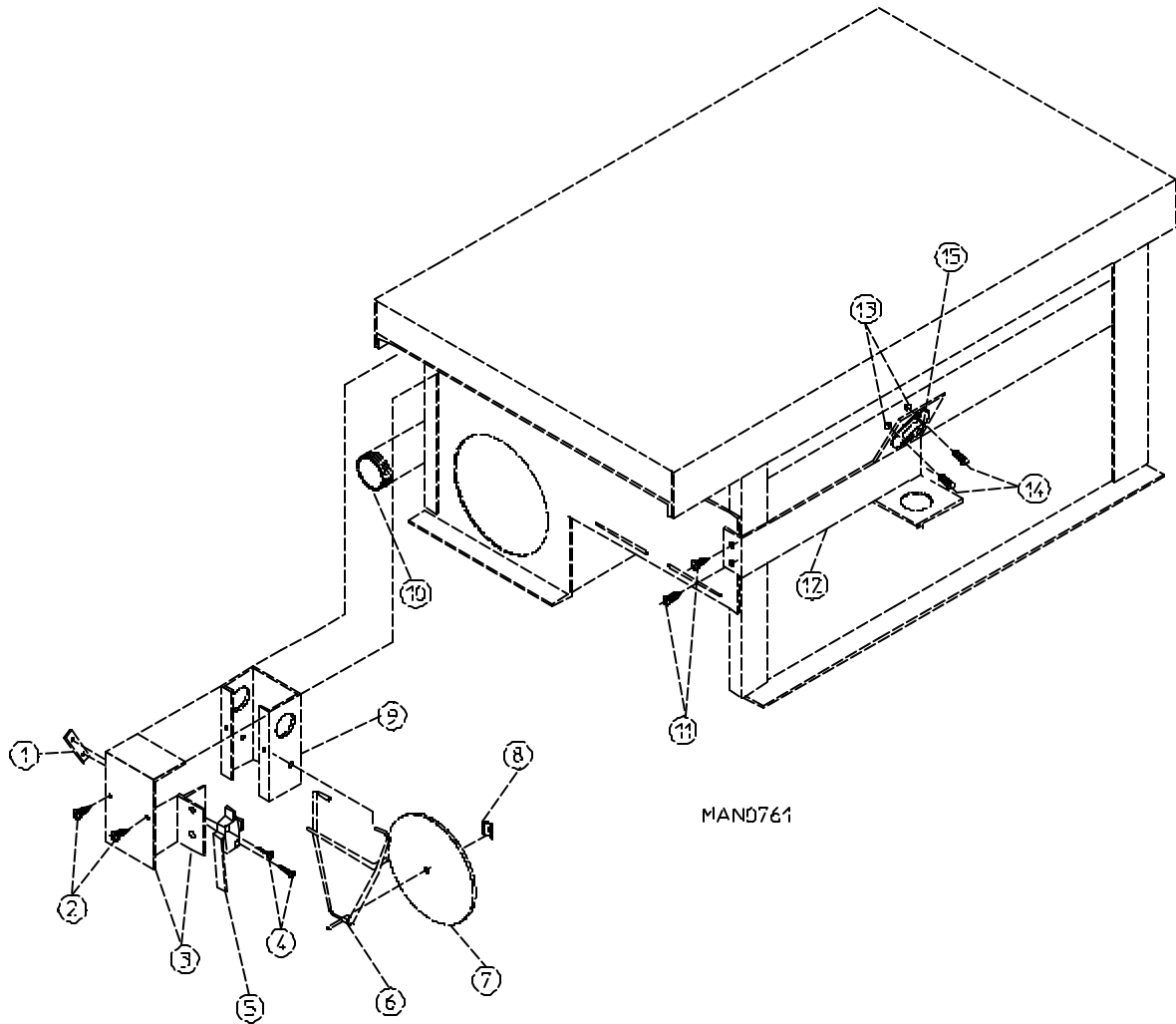
\* Refer to **ADE-15/ADE-25 Electric Oven Component Application Charts** on **page 64**.



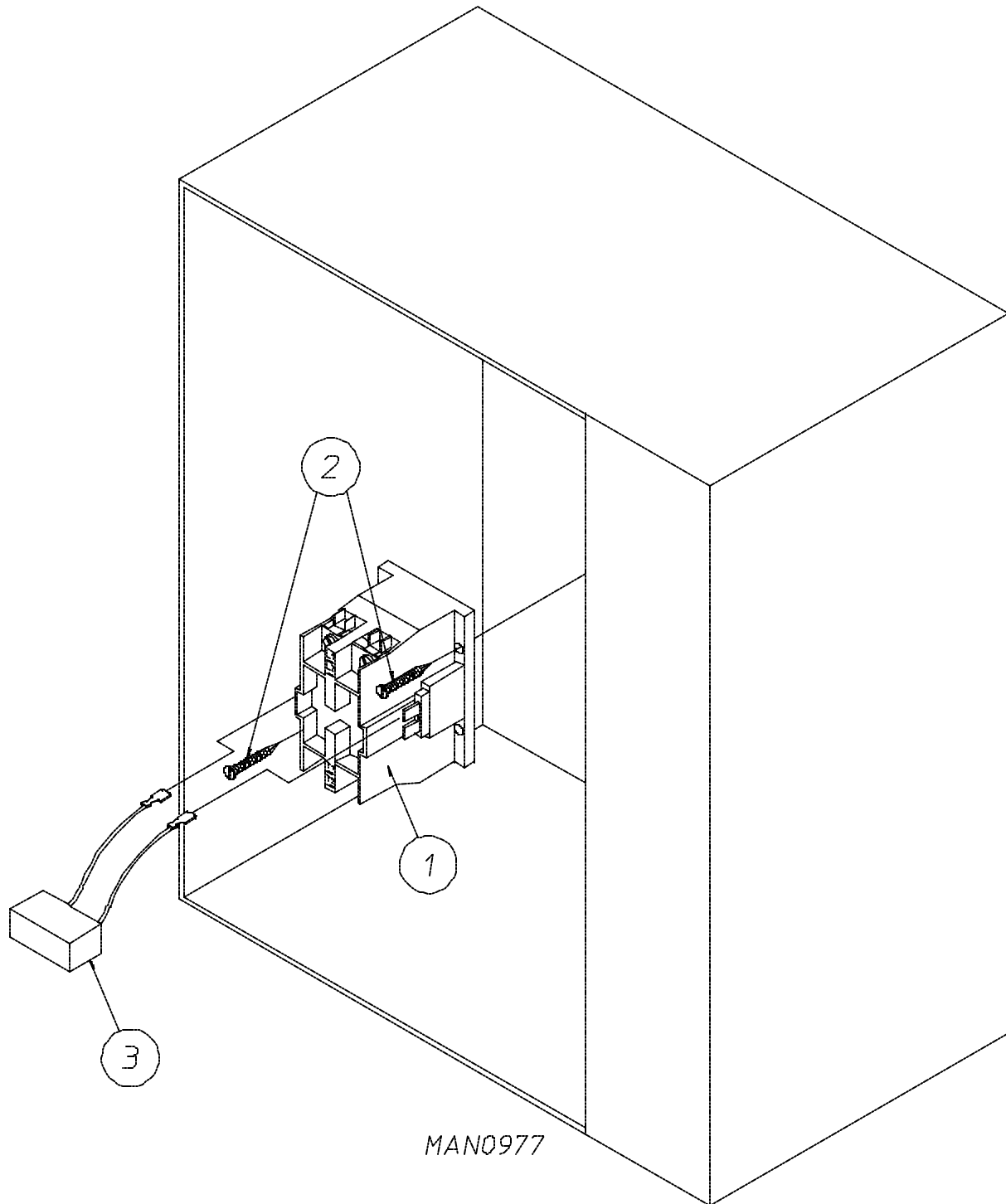
WM 9/14/01

MAN5910

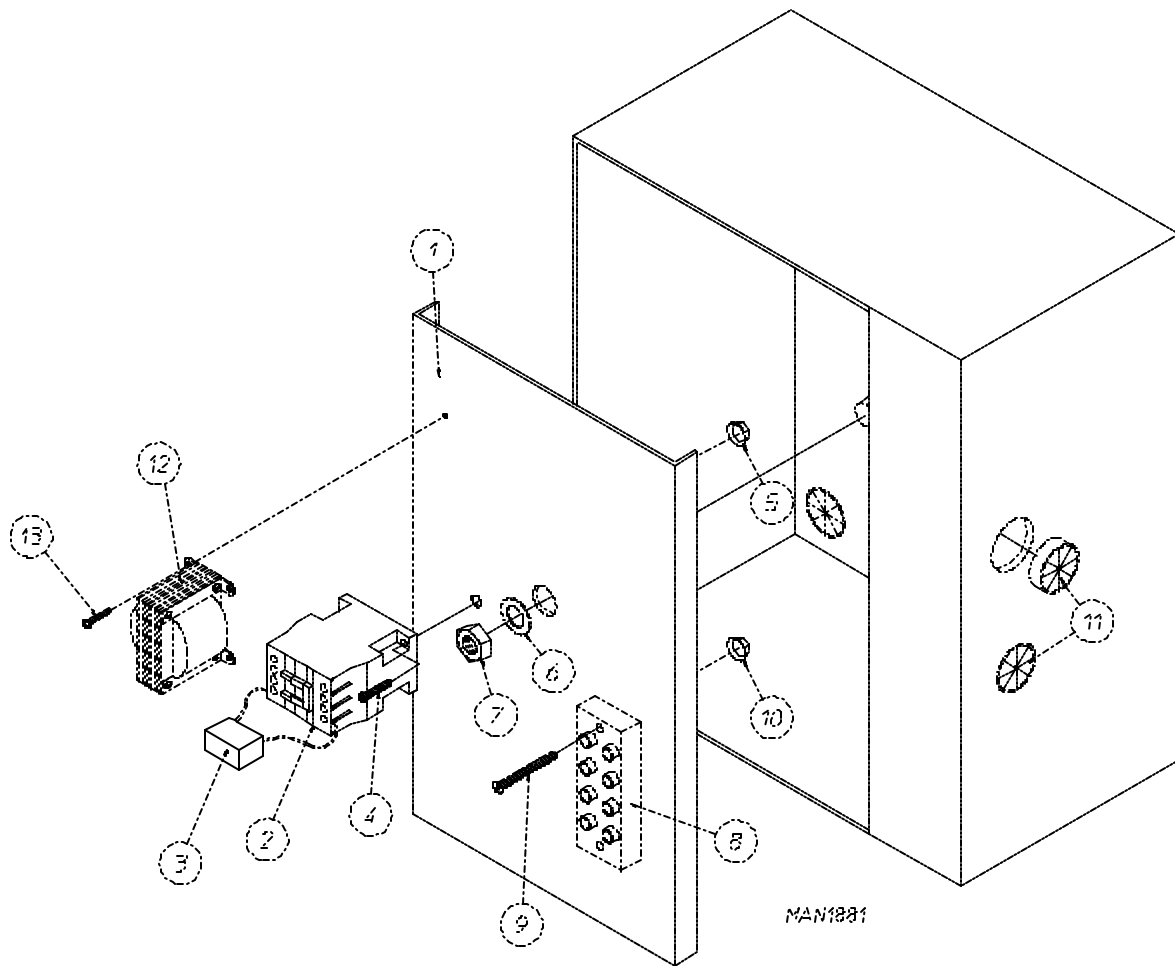
<u>Illus. No.</u>	<u>Part No.</u>	<u>Qty.</u>	<u>Description</u>
1	152013	2	#6-32 Hex Nut
2	801048	1	<b>ADC</b> Direct Spark Ignition (DSI) Johnson Control Module
3	150301	2	#8-18 x 7/16" Phillips Round Head TEK Screw
4	801711	1	Direct Spark Ignition (DSI) Module Mounting Plate



<u>Illus. No.</u>	<u>Part No.</u>	<u>Qty.</u>	<u>Description</u>
1	154004	1	Twin Speed Nut
2	150309	2	#10-16 x 1/2" Hex Head TEK Crimptite Screw
3	802799	1	Sail Switch Box Cover and Bracket ONLY
4	150303	2	#4 x 3/4" Pan Head "A" Machine Screw
5	122200	1	Sail Switch ONLY
6	105500	1	Sail Switch Actuator Rod
7	319202	1	Sail Switch Damper (flat)
8	154002	1	1/8" Push On Fastener
9	802800	1	Sail Switch Box with Cover and Bracket ONLY
	802801	1	Sail Switch Assembly Complete (includes illus. nos. 1 through 8)
10	142800	1	1/2" x 18" Pipe
11	150309	2	#10-16 x 1/2" Hex Head TEK Crimptite Screw
12	319704	1	Hi-Limit Mounting Bracket ONLY
13	151000	2	#6-32 Pal Nut
14	151001	2	#6-32 x 1/2" Round Head Machine Screw
15	130201	1	330° Hi-Limit ONLY Manual Reset

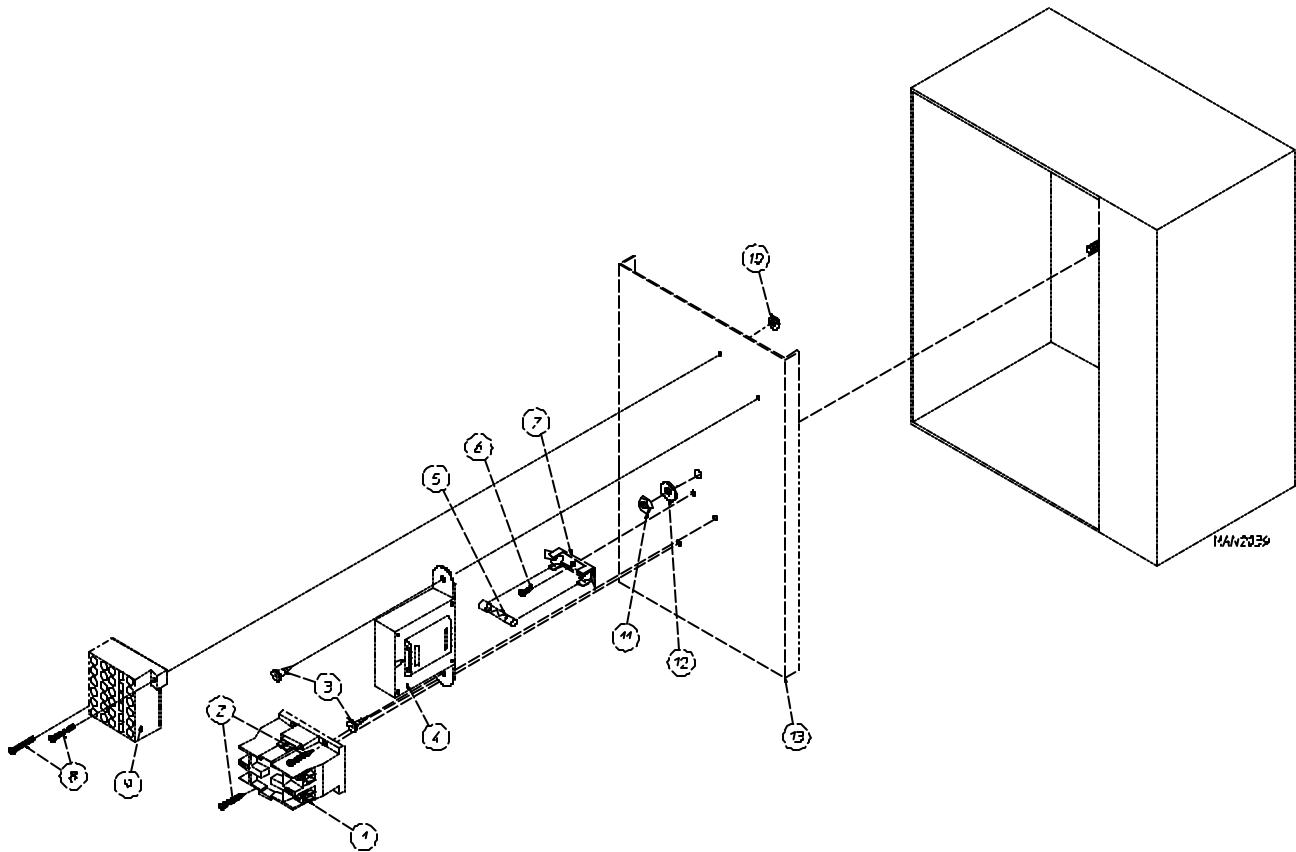


<u>Illus. No.</u>	<u>Part No.</u>	<u>Qty.</u>	<u>Description</u>
1	132475	1	2-Pole Contactor - 24 VAC
2	150299	2	#10 x 1" Hex Washer TEK Screw
3	824828	1	RC Network with Connectors (for microprocessor models Only)
-	322809	1	Back Electrical Box Cover...Not Illustrated
-	150301	4	#8-18 x 7/16" Phillips Round Head TEK Screw...Not Illustrated



<u>Illus. No.</u>	<u>Part No.</u>	<u>Qty.</u>	<u>Description</u>
1	322812	1	Back Electrical Box Component Mounting Plate
2	132447	1	Impellor Contactor (208/230/240v, 50/60 Hz) 24 VAC
3	137015	1	RC Filter
			(for microprocessor models Only)
4	150103	2	#8-32 x 3/4" Phillips Round Head Machine Screw
5	151001	2	#8-32 Pal Nut
6	153002	1	5/16" Lock Washer
7	152004	1	5/16-18 Hex Nut
8	120701	1	4-Position Terminal Block
9	150008	2	#6-32 x 1-1/4" Slotted Round Head Machine Screw
10	151000	2	#6-32 Pal Nut
11	121300	3	Open/Closed Bushing
12	-----	1	Step Down Transformer
			(refer to <b>AD-15/AD-25 Transformer Usage Listing for Gas/Steam Dryers on page 62</b> )
			(refer to <b>ADE-15/ADE-25 Transformer Usage Listing for Electric Dryers on page 63</b> )
13	150300	2	#10-16 x 1/2" Hex Washer TEK Screw
--	322809	1	Back Electrical Box Cover...Not Illustrated
--	150301	4	#8-18 x 7/16" Phillips Round Head TEK Screw...Not Illustrated

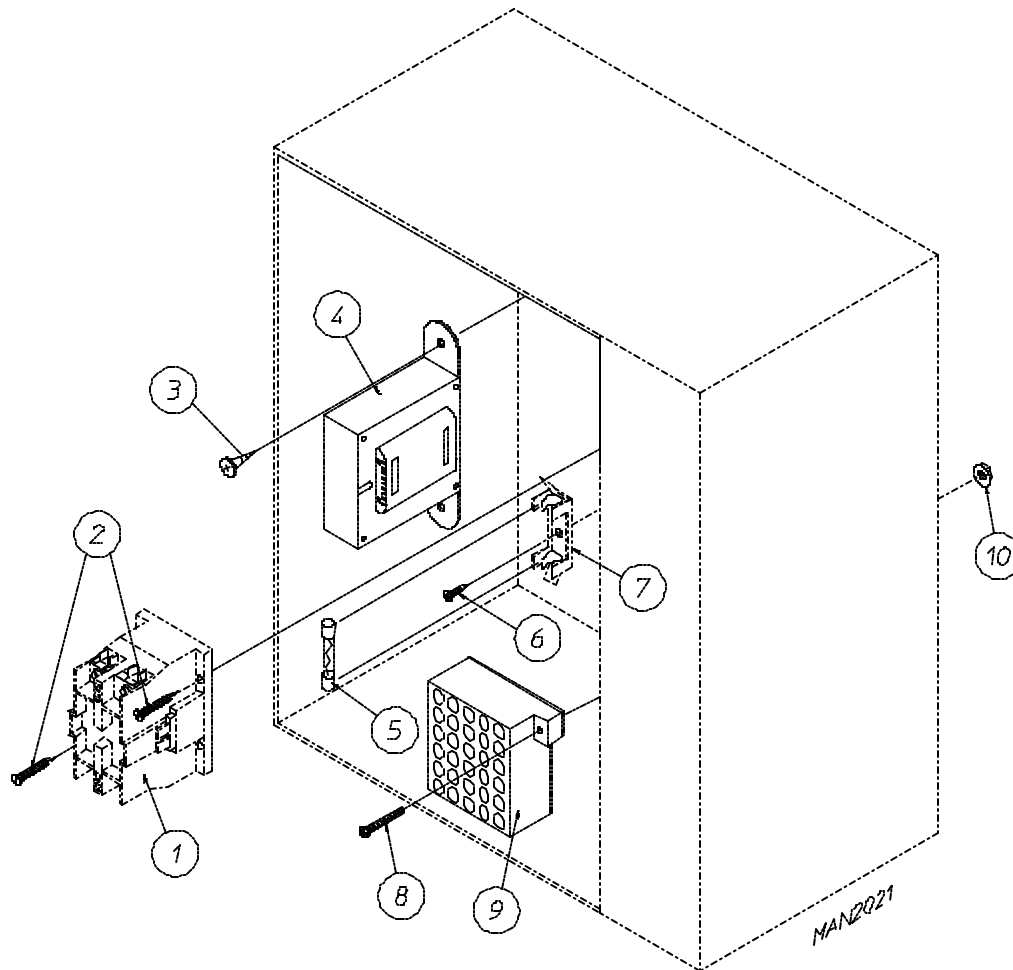
For Models Mfd. as of January 13, 1995



<u>Illus. No.</u>	<u>Part No.</u>	<u>Qty.</u>	<u>Description</u>
1	132475	1	2-Pole Contactor - 24 VAC
2	150299	2	#10 x 1" Hex Washer TEK Screw
3	150300	2	#10-16 x 1/2" Hex Head Washer TEK Screw
4	-----	-	24 VAC Transformer (refer to <b>AD-15/AD-25 Transformer Usage Listing for Gas/Steam Dryers</b> on <b>page 62</b> ) (refer to <b>ADE-15/ADE-25 Transformer Usage Listing for Electric Dryers</b> on <b>page 63</b> )
5	136057	*	1/2-Amp (Slo-Blo) Fuse ONLY
6	150301	*	#8-18 x 7/16" Phillips Pan Head TEK Screw
7	136008	*	Fuse Block/Strip ONLY
8	150002	2	#6-32 x 1" Round Head Machine Screw
9	120715	1	30-Position Terminal Block ONLY
10	151000	2	#6-32 Pal Nut
11	153002	1	5/16-18 Lock Washer
12	152004	1	5/16-18 Hex Nut
13	305520	1	Rear Contactor Plate ONLY
--	322809	1	Back Electrical Box Cover...Not Illustrated
--	150301	4	#8-18 x 7/16" Phillips Pan Head TEK Screw...Not Illustrated

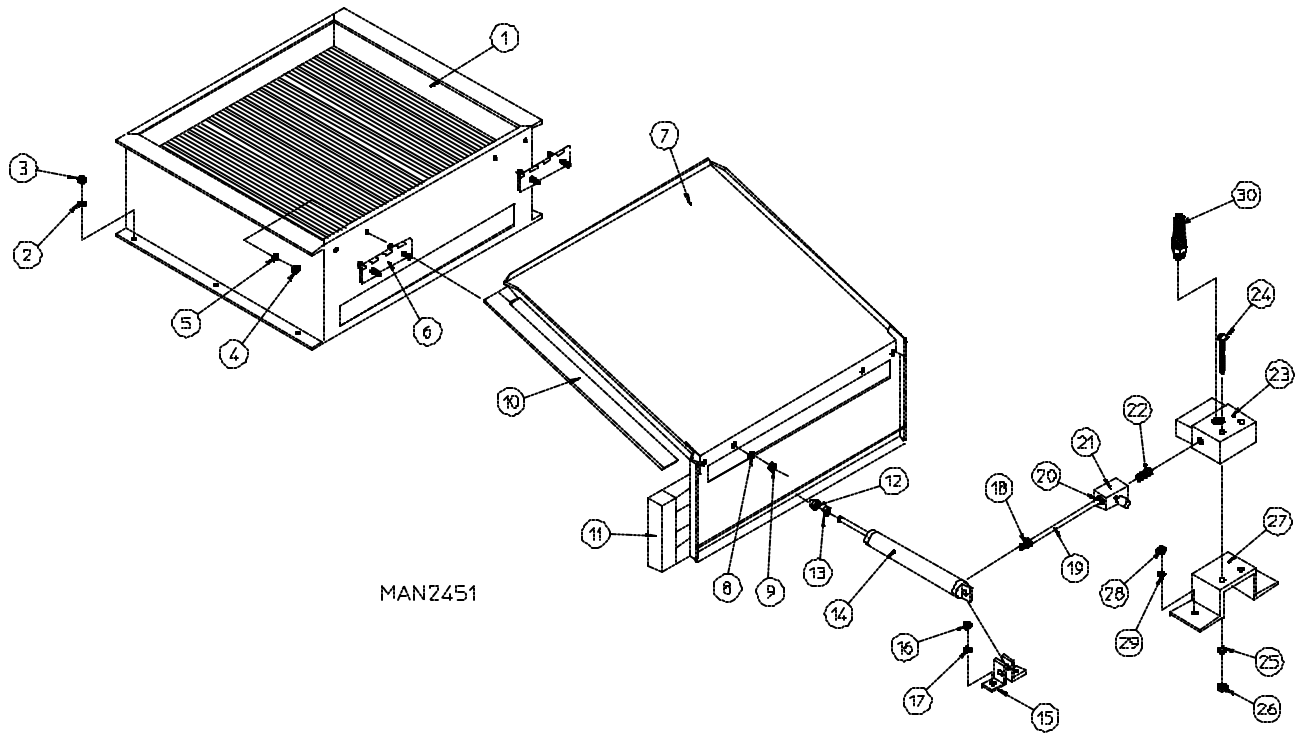
\* As required.

For Models Mfd. prior to January 13, 1995



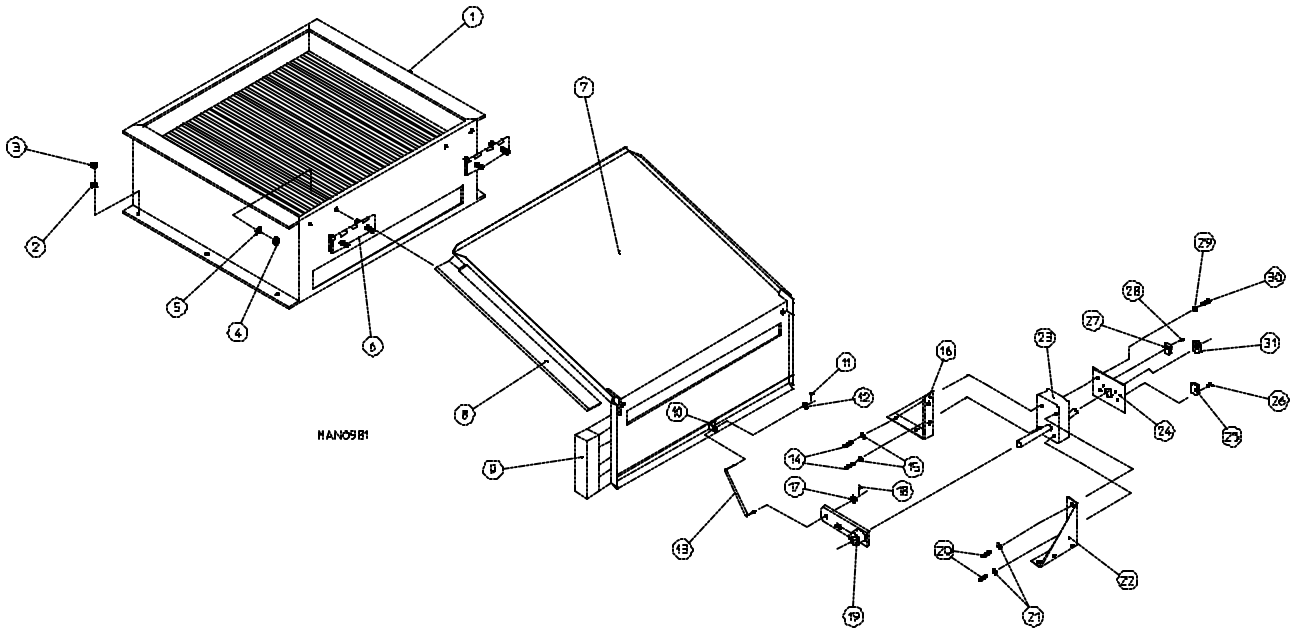
<u>Illus. No.</u>	<u>Part No.</u>	<u>Qty.</u>	<u>Description</u>
1	132475	1	2-Pole Contactor - 24 VAC
2	150299	2	#10 x 1" Hex Washer TEK Screw
3	150300	2	#10-16 x 1/2" Hex Washer TEK Screw
4	-----	1	24 VAC Transformer ONLY (refer to <b>AD-15/AD-25 Transformer Usage Listing for Gas/Steam Dryers</b> on <b>page 62</b> ) (refer to <b>ADE-15/ADE-25 Transformer Usage Listing for Electric Dryers</b> on <b>page 63</b> )
5	136057	*	1/2-Amp (Slo-Blo) Fuse ONLY
6	150301	*	#8-18 x 7/16" Phillips Pan Head TEK Screw
7	136008	*	Fuse Block/Strip ONLY
8	150002	2	#6-32 x 1" Round Head Machine Screw
9	120715	1	30-Position Terminal Block ONLY
10	151000	2	#6-32 Pal Nut
--	322809	1	Back Electrical Box Cover...Not Illustrated
--	150301	4	#8-18 x 7/16" Phillips Pan Head TEK Screw...Not Illustrated

\* As required.



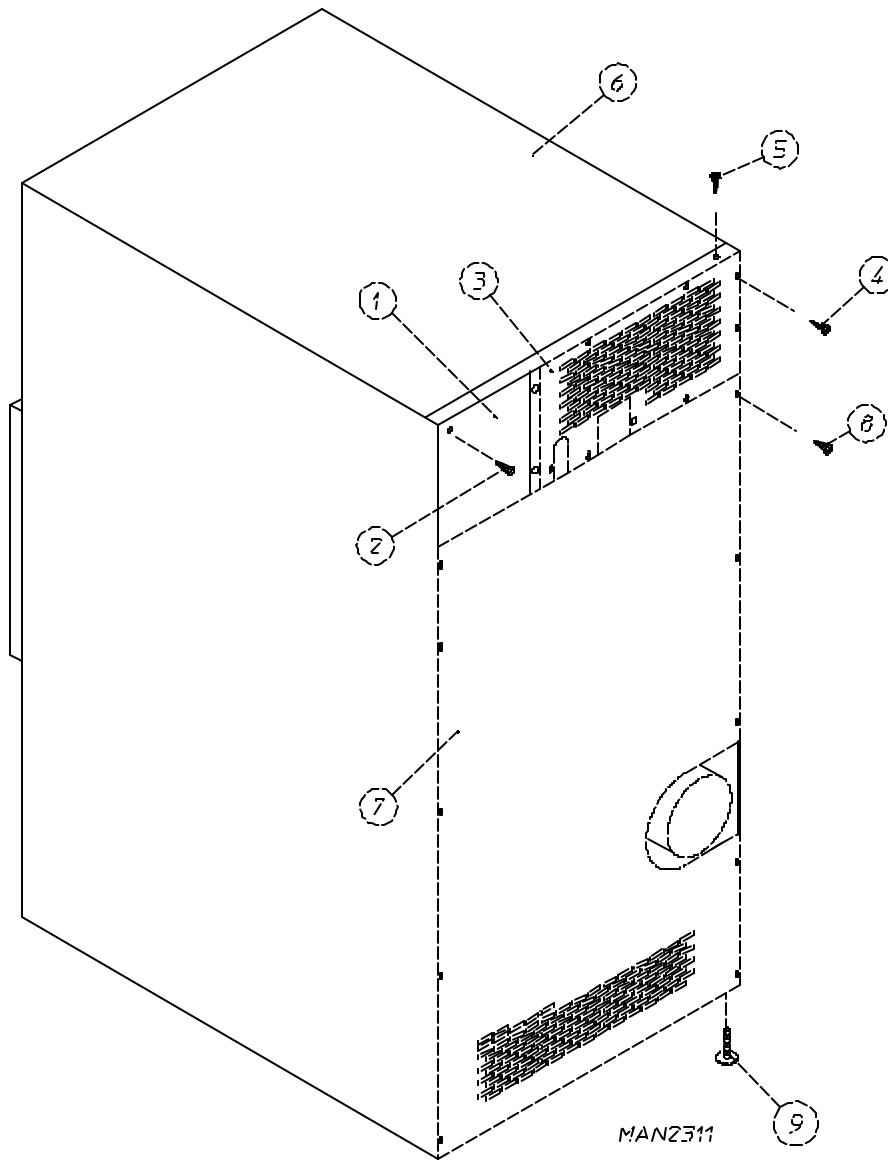


<u>Illus. No.</u>	<u>Part No.</u>	<u>Qty.</u>	<u>Description</u>
1	165013	1	Steam Coil Assembly
2	153002	6	5/16" Lock Washer
3	152004	6	5/16-18 Hex Nut
4	152002	4	1/4-20 Hex Nut
5	153007	4	1/4" Lock Washer
6	820321	2	Steam Damper Hinge Assembly
7	880834	1	Steam Damper Assembly (includes illus. nos. 7, 10, and 11)
8	153007	4	1/4" Lock Washer
9	152002	4	1/4-20 Hex Nut
10	115995	48	Steam Damper Gasket (sold by the inch)
11	102350	1	Steam Damper Foam (68-1/2" length)
12	151006	1	5/16-24 Stainless Steel Acorn Nut
13	152051	1	5/16-24 Right Hand Jam Nut
14	100495	1	11/16" Diameter x 3" Stroke Piston
15	323365	2	Left and Right Piston Support
16	152002	2	1/4-20 Hex Nut
17	153007	2	1/4" Lock Washer
18	100472	1	1/4" Poly x 1/8" M.P.T. Connector
19	143110	1	1/4" Poly-Flo Tubing
20	100472	1	1/4" Poly x 1/8" M.P.T. Connector
21	100496	1	1/8" Needle Valve
22	143238	1	1/8" Brass Close Nipple
23	100498	1	3-Way Micro Valve - 24 VAC
24	150002	2	#6-32 x 1" Machine Bolt
25	153010	2	#6 Star Washer
26	152000	2	#6-32 Hex Nut
27	330987	1	Micro Valve Support
28	152002	2	1/4-20 Hex Nut
29	153007	2	1/4" Lock Washer
30	100520	1	1/8" N.P.T. Silencer (muffler) #N-25



<u>Illus. No.</u>	<u>Part No.</u>	<u>Qty.</u>	<u>Description</u>
1	165013	1	Steam Coil Assembly ONLY
2	153002	6	5/16" Lock Washer
3	152004	6	5/16-18 Hex Nut
4	152002	4	1/4-20 Hex Nut
5	153007	4	1/4" Lock Washer
6	820321	2	Steam Damper Hinge Assembly
7	880835	1	Steam Damper Assembly (includes illus. nos. 7, 10, and 11)
8	115995	48	Steam Damper Gasket (sold by the inch)
9	102350	1	68-1/2" Long Steam Damper Foam
10	309300	1	Rod Bracket
11	154300	1	1/2" x 3/32" Cotter Pin
12	153022	1	#10 Steel Burr
13	104052	1	Mechanical Steam Damper Actuator Rod
14	150110	2	#8-32 x 1/4" Phillips Head Machine Screw
15	153012	2	#8 Star Washer
16	312315	1	Mechanical Steam Damper Motor Mount
17	153022	1	#10 Steel Burr
18	154300	1	1/2" x 3/32" Cotter Pin
19	850268	1	Mechanical Steam Damper Arm
20	150110	2	#8-32 x 1/4" Phillips Head Machine Screw
21	153012	2	#8 Star Washer
22	312315	1	Mechanical Steam Damper Motor Mount
23	104054	1	Mechanical Steam Damper Motor
24	100511	1	Mechanical Steam Damper Switch Plate
25	122120	1	Mechanical Steam Damper Switch
26	150026	2	#4-40 x 5/8" Phillips Pan Head Machine Screw
27	122120	1	Mechanical Steam Damper Switch
28	150026	2	#4-40 x 5/8" Phillips Pan Head Machine Screw
29	153012	2	#8 Star Washer
30	150102	2	#8-32 x 3/8" Pan Head Machine Screw
31	-----*	1	Mechanical Steam Damper Motor Cam

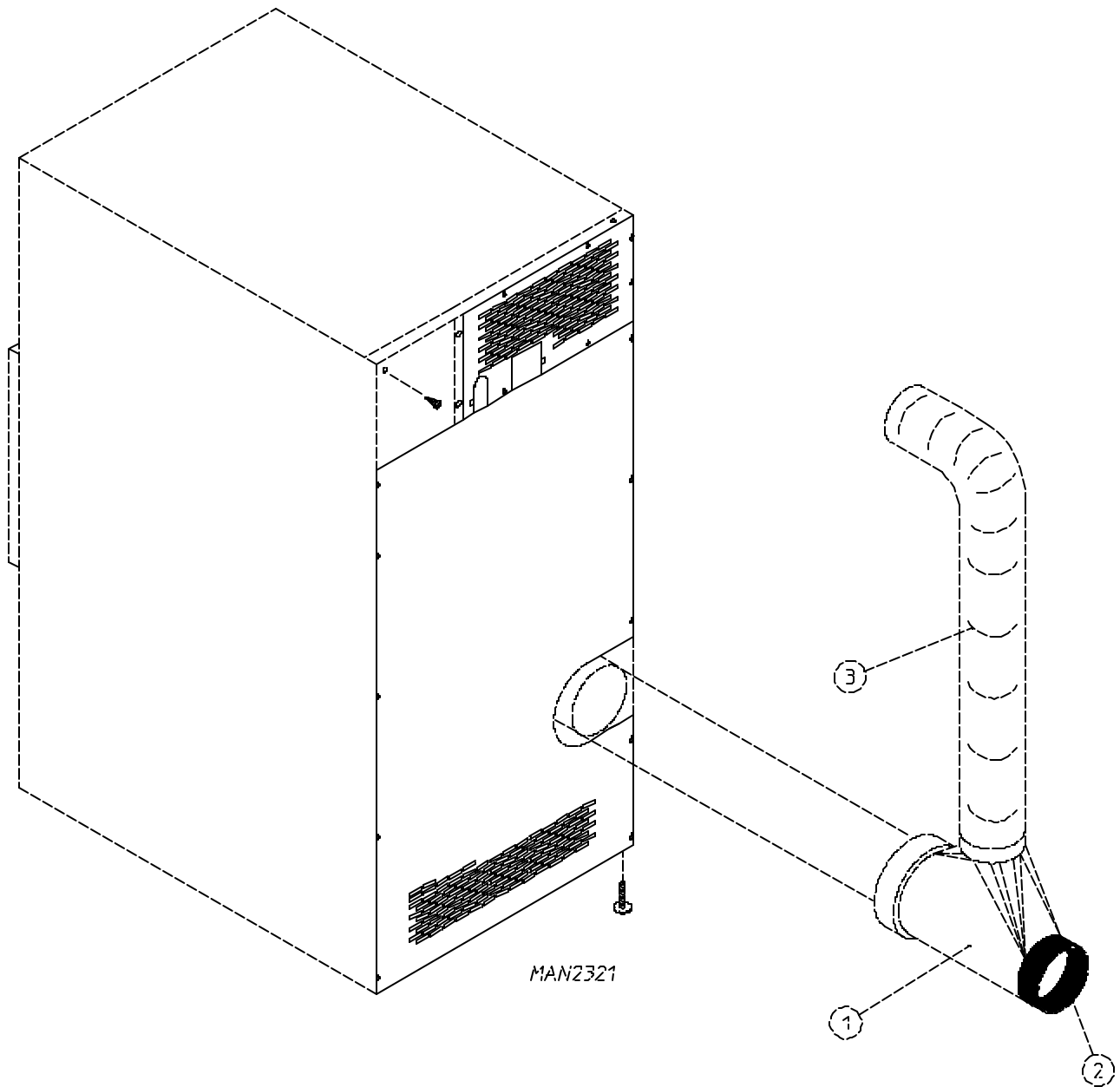
\* The mechanical steam damper motor cam is part of the mechanical steam damper motor.



<u>Illus. No.</u>	<u>Part No.</u>	<u>Qty.</u>	<u>Description</u>
1	322809	1	Back Electrical Box Cover
2	150301	4	#8-18 x 7/16" Phillips Pan Head TEK Screw
3*	330076	1	AD-15 Top Back Guard
	330075	1	AD-25 Top Back Guard
4	150301	7	#8-18 x 7/16" Phillips Pan Head TEK Screw
5	150301	10	#8-18 x 7/16" Phillips Pan Head TEK Screw
6**	312532	1	AD-15 Outer Top
	312531	1	AD-25 Outer Top
7	330086	1	AD-15 "Plain" Bottom Back Guard
	314512	1	AD-25 "Plain" Bottom Back Guard
8	150301	13	#8-18 x 7/16" Phillips Pan Head TEK Screw
9	103500	4	Leveling Leg

\* There is no top back guard on gas heat reclaimer models and steam models.

\*\* There is no outer top on gas heat reclaimer models and steam models.



<u>Illus. No.</u>	<u>Part No.</u>	<u>Qty.</u>	<u>Description</u>
1*	143513	1	ADG-15DH 6" x 6" x 5" Tee
	143501	1	ADG-25DH 8" x 6" x 6" Tee
2	880502	1	6" Replacement Damper Assembly
3	143514	1	ADG-15DH 5" Flexible Duct
	143509	1	ADG-25DH 6" Flexible Duct
--	117505	2	Aluminum Duct Tape (sold by the foot)

\* Damper assembly **must be** purchased separately.

**NOTE:** Coin acceptors listed include optical switch.  
 Replacement optic switch for Hanke acceptors is **ADC** Part No. 881143.  
 Replacement optic switch for Greenwald acceptors is **ADC** Part No. 137056.

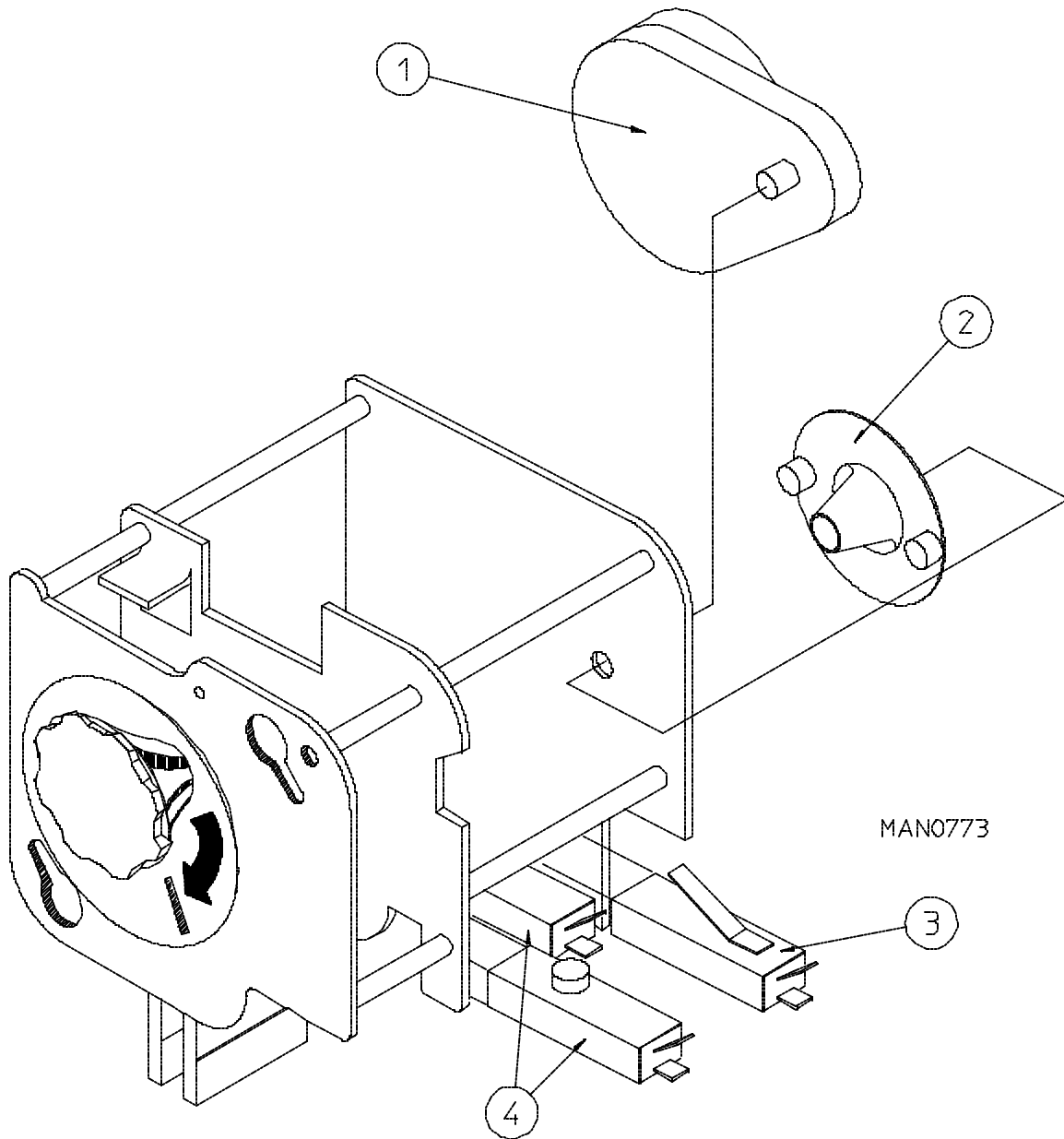
## Single Coin\*

<u>ADC Part No.</u>	<u>Nation</u>	<u>Description</u>
882689	United States	25¢ Hanke Optic Coin Acceptor (includes optic switch P/N 881143) (for models mfd. as of June 15, 2000)
125100	U.S. and Canada	25¢ Greenwald Optic Coin Acceptor (for models mfd. prior to June 15, 2000)
881768	Australia	\$1 Hanke Australian Optic Coin Acceptor
881604	Japan	100 Yen Hanke Optic Coin Acceptor
125103	---	0.882 Token Greenwald Optic Coin Acceptor
125121	---	0.800 Token Greenwald Optic Coin Acceptor
125133	Hong Kong	\$1 Greenwald Hong Kong Optic Coin Acceptor

## Dual Coin\*

881842	Canada	25¢/\$1 Hanke Dual Optic Coin Acceptor
881542	United Kingdom	1£/20 Pence Hanke Dual Optic Coin Acceptor

\* Consult factory for coin acceptors not listed.



<u>Illus. No.</u>	<u>Part No.</u>	<u>Qty.</u>	<u>Description</u>
1	125541	1	1/60 RPM 24 VAC/60 Hz Meter Motor
	125540	1	1/30 RPM 24 VAC/50 Hz Meter Motor
2	125500	1	2-Point Cam
	125501	1	3-Point Cam
	125502	1	4-Point Cam
	125503	1	5-Point Cam
	125504	1	6-Point Cam
	125506	1	8-Point Cam
	125507	1	9-Point Cam
	125508	1	10-Point Cam
	125510	1	12-Point Cam
	3	125515	1
4	125516	2	Meter Switch "A" or "C"

<b>AD-15 AND AD-25</b>				
<b>HEAT</b>	<b>VOLTAGE</b>	<b>WIRE SERVICE</b>	<b>STEP DOWN TRANSFORMER PART. NO.</b>	<b>CONTROL VOLTAGE PART NO.</b>
<b>GAS</b> <b>STEAM</b>	208-240	3 or 4	-----	141403
	380	3 or 4	132059	141403
	416	3 or 4	132062	141403
	460/480	3 or 4	132053	141403
	575	3	132050	141403



# ADE-15

KW	VOLTAGE	PHASE	WIRE	STEP DOWN TRANSFORMER PART NO.	CONTROL VOLTAGE TRANSFORMER PART NO.
15	208	3 $\phi$	3 or 4	-----	141403
18	460/480	3 $\phi$	3	132053	141403
12	208	3 $\phi$	3	-----	141403
18	208	3 $\phi$	3	-----	132070
12	240	3 $\phi$	3	-----	141403
18	240	3 $\phi$	3	-----	141403
12	380	3 $\phi$	4	-----	132082
15	380	3 $\phi$	4	-----	132082
11	400	3 $\phi$	4	-----	132082
15	400	3 $\phi$	4	-----	132082
18	416	3 $\phi$	4	-----	132082
15	208	1 $\phi$	2	-----	132063
18	208	1 $\phi$	2	-----	132063
12	240	1 $\phi$	2	-----	132070

# ADE-25

KW	VOLTAGE	PHASE	WIRE	STEP DOWN TRANSFORMER PART NO. (for 3 wire, 380-480 VAC systems)	CONTROL VOLTAGE TRANSFORMER PART NO.
25	380	3 $\phi$	3 or 4	132059	132082
24	208	3 $\phi$	3 or 4	-----	132063
24	230	3 $\phi$	3	-----	132063
24	416	3 $\phi$	3 or 4	132062	132082
24	460/480	3 $\phi$	3 or 4	132053	141403
20	208	1 $\phi$	2	-----	132063
20	230	1 $\phi$	2	-----	132072
20	380	3 $\phi$	3 or 4	132059	132082

## ADE-15

KW	VOLTAGE	PHASE	WIRE	OVEN ASSY*	ELEMENT			OVEN WIRE			TERMINAL LUG		BUS BAR P/N: 121011	OVEN RELAY	
					QTY	KW	PART NO.	QTY	SIZE	PART NO.	QTY	PART NO.		CAT. NO.	PART NO.
18	460/480	3ø	3 or 4	883597	6	3	120007	1	#8	882559	1	121010	2	DPA33	131352
18	416	3ø	3 or 4	826389	6	3	120007	1	#8	882558	1	121010	1	DPA33	131352
18	240	3ø	3	883542	6	3	120007	1	#8	882558	1	121010	2	DPA43	131357
18	208	3ø	3 or 4	824914	6	3	120006	1	#6	882556	1	121010	2	DPA53	131359
18	208	1ø	2	883546	6	3	120006	1	#2	883384	1	121010	2	DPA93	131358
15	380	3ø	3 or 4	826389	6	3	120007	1	#8	882558	1	121010	1	DPA33	131352
15	208	1ø	2	883547	5	3	120006	1	#4	883385	1	121010	1	DPA73	131376
12	240	3ø	3	883543	3	4	120009	1	#8	883558	1	121010	2	DPA33	131352
12	240	1ø	2	883545	4	3	120007	1	#6	883548	1	121010	1	DPA53	131359
12	208	3ø	3 or 4	883544	3	4	120008	1	#8	882558	1	121010	1	DPA33	131352
11	400	3ø	4	826401	6	2	120004	1	#8	882558	1	121010	1	DPA33	131352

## ADE-25

KW	VOLTAGE	PHASE	WIRE	OVEN ASSY*	ELEMENT			OVEN WIRE			TERMINAL LUG		BUS BAR P/N: 121011	OVEN RELAY	
					QTY	KW	PART NO.	QTY	SIZE	PART NO.	QTY	PART NO.		CAT. NO.	PART NO.
24	460/480	3ø	3 or 4	824951	6	4	120009	1	#8	882559	1	121010	2	DPA33	131352
24	416	3ø	3 or 4	826394	6	4	120009	1	#8	882558	1	121010	1	DPA33	131352
24	240	3ø	3	883557	6	4	120009	1	#6	882556	1	121010	1	DPA63	131369
24	208	3ø	3 or 4	824915	6	4	120008	1	#4	882553	1	121010	1	DPA73	131376
20	380	3ø	3 or 4	826394	6	4	120009	1	#8	882558	1	121010	2	DPA33	131352
20	240	1ø	2	883559	5	4	120009	1	#4	883385	1	121010	2	DPA93	131358
20	208	1ø	2	883561	5	4	120008	1	#2	883384	1	121010	2	DPA93	131358
18	460/480	3ø	3 or 4	883560	6	3	120007	1	#8	882559	1	121010	2	DPA33	131352
18	416	3ø	3 or 4	826389	6	3	120007	1	#8	882558	1	121010	1	DPA33	131352
18	240	3ø	3	883562	6	3	120007	1	#8	882558	1	121010	2	DPA43	131357
18	240	1ø	2	883558	6	3	120007	1	#4	883385	1	121010	2	DPA73	131376
18	208	3ø	3 or 4	824914	6	3	120006	1	#6	882556	1	121010	2	DPA53	131359
18	208	1ø	2	883563	6	3	120006	1	#2	883384	1	121010	2	DPA93	131358
15	380	3ø	3 or 4	826389	6	3	120007	1	#8	882558	6	121010	2	DPA33	131352

\* When ordering oven assembly complete, specify 3 or 4 wire when applicable as well as if dryer has microprocessor controls or non-microprocessor controls.

N/A = Not available.

## DSI BURNER ORIFICE LISTING\*

MODEL NO.	HEAT RECLAIMER	QTY.	NATURAL GAS		L.P. GAS	
			D.M.S.	PART NO.	D.M.S.	PART NO.
ADG-15D	No	2	#42	140810	#54	140848
ADG-15DH	Yes	2	#43	140809	#54	140848
ADG-25D	No	2	#32	140851	#50	140802
ADG-25DH	Yes	2	#34	140852	#51	140801

\* Consult factory for elevations over 2,000 feet.

## DSI BURNER ASSEMBLY LISTING

MODEL NO.	BTU/HR RATING	HEAT RECLAIMER	NATURAL GAS PART NUMBER	L.P. GAS PART NO.
ADG-15D	50,000	No	809640	809641
ADG-15DH	47,000	Yes	809642	809643
ADG-25D	78,000	No	809640	809641
ADG-25DH	70,000	Yes	809638	809639

**NOTES:** 1. Burner assemblies **DO NOT** include burner orifices. They **must be** ordered separately.  
2. When ordering burner assemblies, specify **model number** and if computer or noncomputer controls.

## DSI L.P. CONVERSION KIT LISTING\*

MODEL NO.	KIT PART NO.
ADG-15D/DH	874051
ADG-25D/DH	874052

\* Consult factory for elevations over 2,000 feet.

<u>Part No.</u>	<u>Description</u>
112280	“Lint Screen” Label
112533	“Phase 5 Coin Program Location Summary” Label
112534	“Phase 5 OPL Program Location Summary” Label
114001	“Caution-Exhausted/Lint Screen” Label
114006	“Warning-Fire Hazards” Label
114533	“120V Electric Service” Label
120100	3/8” Straight (BX) Connector
120200	3/8” x 90° (BX) Connector
120300	3/8” x 45° (BX) Connector
120400	3/8” Red Jacket (BX) Insulator
120500	3/8” Jiffy Clip (BX retainer clip)
120600	3/8” Flexible Steel Electrical Conduit
120707	Terminal Strip (2-position)
120708	Terminal Strip (3-position)
120800	1/4” In-Line Connector
120902	#74B Wire Nut
120903	Crimp-On Wire Nut
121499	5-1/2” Harness Tie
121500	8” Harness Tie
121503	Harness Tie Mounting Clip
122804	Manometer (hydro gauge) for Measuring Gas Pressure
404500	Almond Brush-In-Cap Bottle Touch-Up Paint
404502	White Brush-In-Cap Bottle Touch-Up Paint
404507	Cornflower Blue Brush-In-Cap Bottle Touch-Up Paint
404515	Coral Blue Brush-In-Cap Bottle Touch-Up Paint
404516	Ivory Brush-In-Cap Bottle Touch-Up Paint
410001	1/2” Allen Wrench

<b>ADC 450107</b>	<b>1</b> - 02/23/93-100	<b>2</b> * 04/20/93-100	<b>3</b> * 07/19/93-100
	<b>4</b> - 01/05/94-100	<b>5</b> * 04/10/95-100	<b>6</b> * 02/08/96-100
	<b>7</b> * 05/16/96-100	<b>8</b> * 06/17/97-100	<b>9</b> * 08/03/00-25
	<b>10</b> * 03/01/02-25	<b>11</b> * 12/18/02-20	

