



AD-330/AD-320 Parts Manual

24 VAC Phase 5

1992 thru 2001

American Dryer Corporation
88 Currant Road
Fall River, MA 02720-4781
Telephone: (508) 678-9000 / Fax: (508) 678-9447
e-mail: techsupport@amdry.com
www.amdry.com

Retain This Manual In A Safe Place For Future Reference

American Dryer Corporation products embody advanced concepts in engineering, design, and safety. If this product is properly maintained, it will provide many years of safe, efficient, and trouble-free operation.

ONLY qualified technicians should service this equipment.

OBSERVE ALL SAFETY PRECAUTIONS displayed on the equipment or specified in the installation manual included with the dryer.

The following “**FOR YOUR SAFETY**” caution **must be** posted near the dryer in a prominent location.

FOR YOUR SAFETY

Do not store or use gasoline or other flammable vapors and liquids in the vicinity of this or any other appliance.

POUR VOTRE SÉCURITÉ

Ne pas entreposer ni utiliser d'essence ni d'autres vapeurs ou liquides inflammables à proximité de cet appareil ou de tout autre appareil.

We have tried to make this manual as complete as possible and hope you will find it useful. **ADC** reserves the right to make changes from time to time, without notice or obligation, in prices, specifications, colors, and material, and to change or discontinue models.

Important

For your convenience, log the following information:

DATE OF PURCHASE _____ **MODEL NO.** _____

RESELLER'S NAME _____

Serial Number(s) _____

Replacement parts can be obtained from your reseller or the **ADC** factory. When ordering replacement parts from the factory, you can FAX your order to **ADC** at (508) 678-9447 or telephone your order directly to the **ADC** Parts Department at (508) 678-9000. Please specify the dryer **model number** and **serial number** in addition to the **description** and **part number**, so that your order is processed accurately and promptly.

The illustrations on the following pages may not depict your particular dryer exactly. The illustrations are a composite of the various dryer models. Be sure to check the descriptions of the parts thoroughly before ordering.

“IMPORTANT NOTE TO PURCHASER”

Information **must be** obtained from your local gas supplier on the instructions to be followed if the user smells gas. These instructions **must be** posted in a prominent location near the dryer.

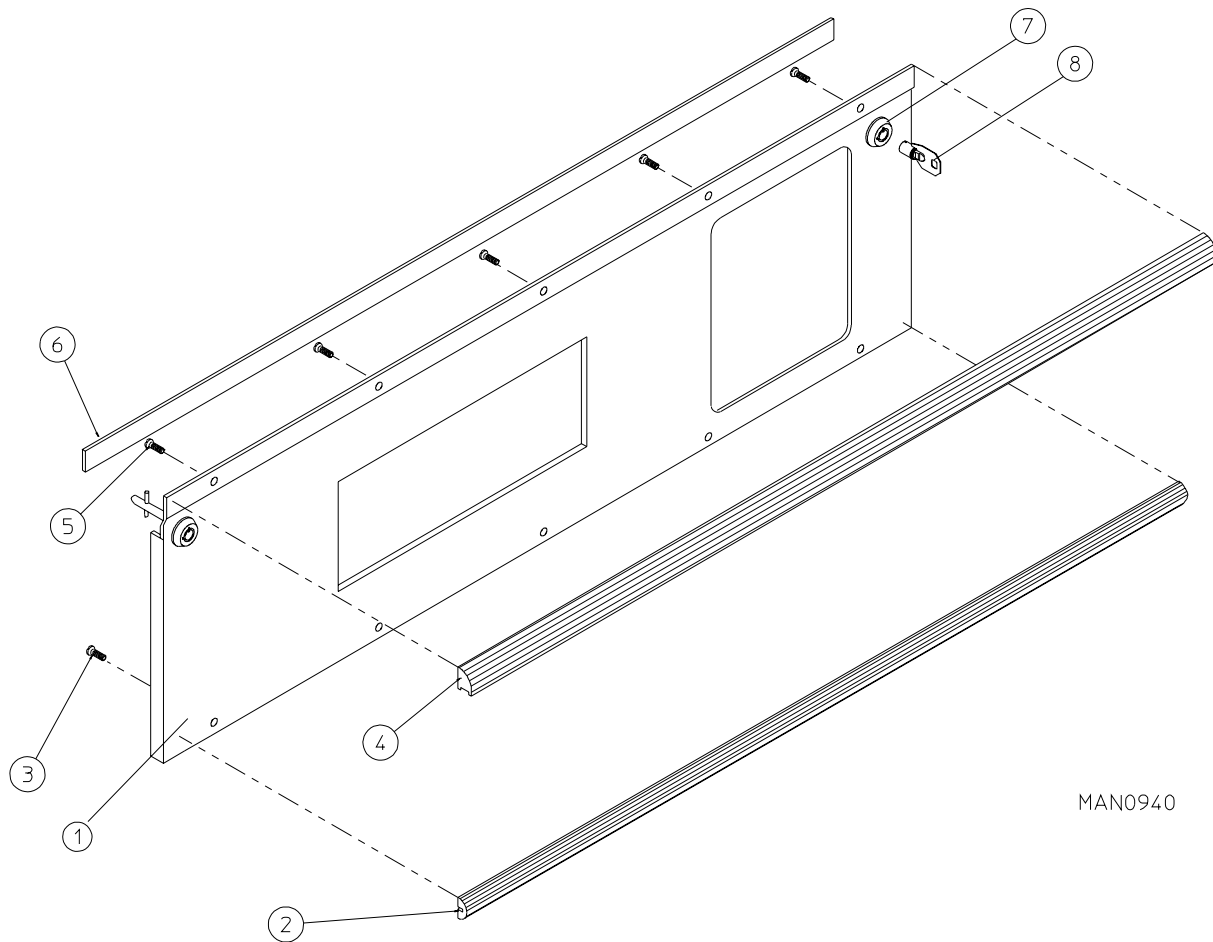
Table of Contents

AD-330 (3-Leg) Coin and Debit Card Control Doors Assemblies	
For Models Mfd. as of November 28, 2001 and Models Mfd. prior to June 9, 2001	4
AD-320 (3-Leg) Coin and Debit Card Control Doors Assemblies	
For Models Mfd. as of November 28, 2001 and Models Mfd. prior to June 9, 2001	5
AD-330 (3-Leg) OPL Control Door Assembly	
For Models Mfd. as of November 28, 2001 and Models Mfd. prior to June 9, 2001	6
AD-320 (3-Leg) OPL Control Door Assembly	
For Models Mfd. as of November 28, 2001 and Models Mfd. prior to June 9, 2001	7
AD-330 OPL Control Door Assembly	
For Models Mfd. Between June 9, 2001 and November 28, 2001	8
AD-320 OPL Control Door Assembly	
For Models Mfd. Between June 9, 2001 and November 28, 2001	9
AD-330 Debit Card Control Door Assembly	
For Models Mfd. Between June 9, 2001 and November 28, 2001	10
AD-320 Debit Card Control Door Assembly	
For Models Mfd. Between June 9, 2001 and November 28, 2001	11
AD-330 Lint Door Assembly	
For Models Mfd. as of June 9, 2001	12
AD-330 Lint Door Assembly	
For Models Mfd. prior to June 9, 2001	13
AD-320 Lint Door Assembly	
For Models Mfd. as of June 9, 2001	14
AD-320 Lint Door Assembly	
For Models Mfd. prior to June 9, 2001	15
AD-330 Lint Drawer (Basket) Assembly	16
AD-320 Lint Drawer (Basket) Assembly	17

AD-330 Locking Lint Drawer (Basket) Assembly	18
AD-320 Locking Lint Drawer (Basket) Assembly	19
Single Hanke Coin, DMC Control Panel Assembly	
For Domestic Single Coin (25¢) Models Mfd. as of January 12, 1996	20
Single Coin, Coinco Microprocessor Control Panel Assembly	
For Single Coin (25¢) Models Mfd. with Coinco Only prior to January 12, 1996	21
Dual Coin, Hanke Control Panel Assembly	22
Coinco Dual Coin, (DMC) Control Panel Assembly	
For Export Models Only	23
OPL Microprocessor (DMC) Control Panel Assembly	24
25¢ Coinco Coin Acceptor Component Listing	
For Single Coin (25¢) Models Mfd. with Coinco Only prior to January 12, 1996	25
Coinco Dual Coin Acceptor Component Listing	
For Export Models Only	26, 27
Hanke Microprocessor Coin Acceptor Listing	28
Coin Vault Assembly	29
DMC Control Box Assembly	30, 31
Upper Front Panel Assembly	
For “Plastic Door”	32
Lower Front Panel Assembly	
For “Plastic Door”	33
“Plastic” Main Door Assembly	34
Main Door Switch Assembly For “Plastic”	35
AD-330/320 Cold Rolled Steel (CRS) Door Top Front Panel	36
AD-330/320 Cold Rolled Steel (CRS) Door Bottom Front Panel.....	37
Main Door Cold Rolled Steel (CRS) Assembly	38
Main Door Switch Assembly For Cold Rolled Steel (CRS) Type Door	39
AD-330 Basket (Tumbler)/Support Assemblies	40, 41

AD-320 Basket (Tumbler)/Support Assemblies	42, 43
Basket (Tumbler) Brush Assembly	44
Temperature Sensor Probe Assembly	45
Basket (Tumbler) Bearing Assembly	46, 47
AD-330 Lint Drawer (Basket) Switch Assembly	48
AD-320 Lint Drawer (Basket) Switch Assembly	49
Totally Enclosed, Non-Vent (T.E.N.V.) Motor/Idler Assemblies	50, 51
AD-330 Gas Train Assembly	
For Models Mfd. as of April 17, 2000 with Johnson Controls Direct Spark Ignition (DSI) Module	52, 53
AD-330 Gas Valve Train Assembly	
For Models Mfd. prior to April 17, 2000	54, 55
AD-320 Gas Train Assembly	
For Models Mfd. as of April 17, 2000 with Johnson Controls Direct Spark Ignition (DSI) Module	56, 57
AD-320 Gas Valve Train Assembly	
For Models Mfd. prior to April 17, 2000	58, 59
Electric Oven Assembly	60, 61
Burner Box/Piping Assemblies	62
ADS-330/ADS-320 Steam Damper Assembly	63
Sail Switch Assembly	64
Back Guard Assemblies	65
Optional Gas Piping and Exhaust Ducting Kits	66
12-Rib 95" (J) Poly Belt Arrangement	67
Bottom Exhaust Duct Assembly and Cabinet Hi-Limit	68
Electric Oven Component Chart	69
Step Down Transformer Usage Listing	70
Additional Parts Available	71

For Models Mfd. as of November 28, 2001 and Models Mfd. prior to June 9, 2001

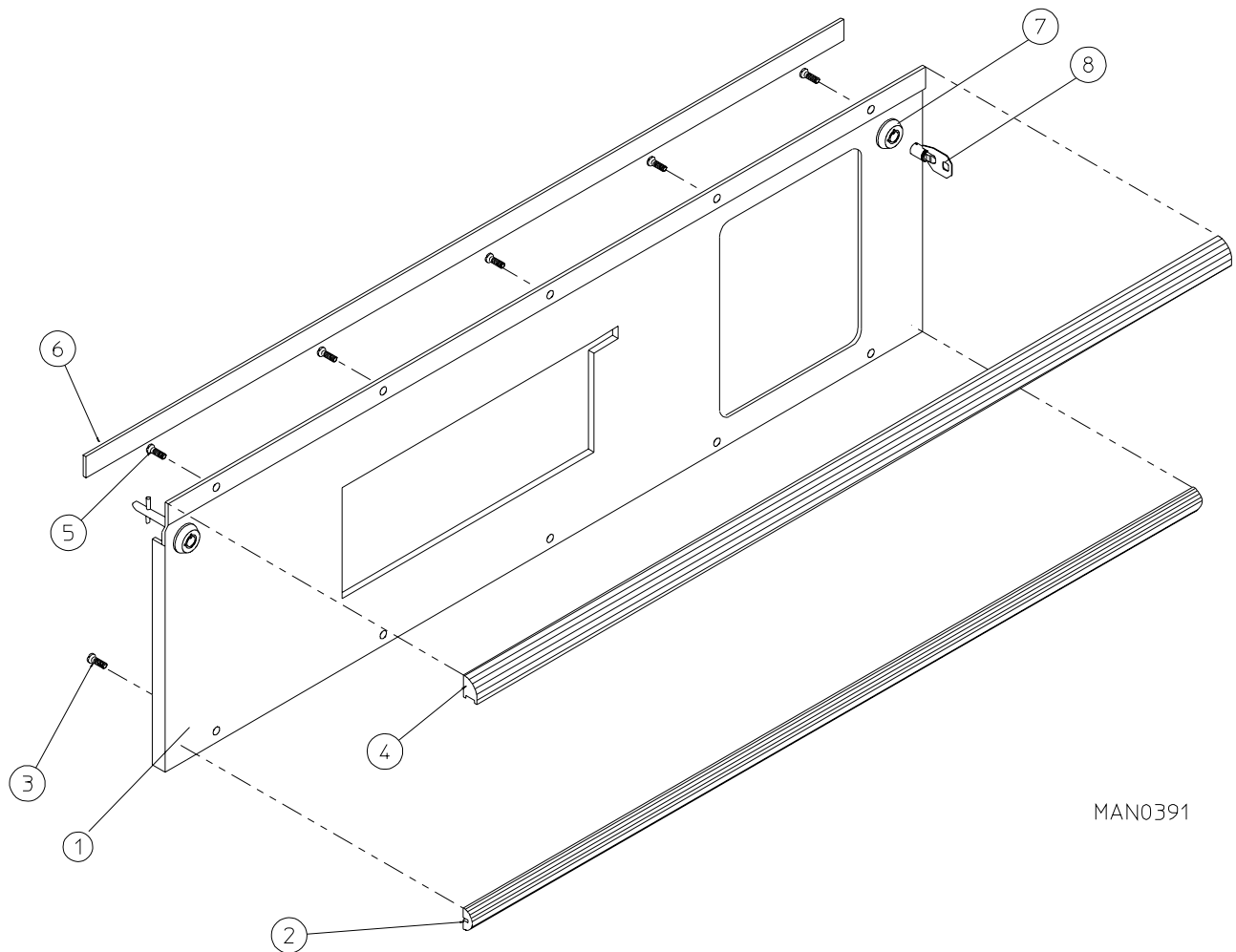


MAN0940

<u>Illus. No.</u>	<u>Part No.</u>	<u>Qty.</u>	<u>Description</u>
1	880199*	1	AD-330 (3-leg) Coin Control Door Assembly Complete Less Locks (includes illus. nos. 1 through 6)
	880198	1	AD-330 (3-leg) Stainless Steel Coin Control Door Complete Less Locks (includes illus. nos. 1 through 6)
2	180315	1	AD-330 Lower Door Trim (29-11/16" length)
3	150310	5	#8 x 1/2" Phillips Pan Head "A" Screw
4	180316	1	AD-330 Upper Door Trim (29-11/16" length)
5	150310	5	#8 x 1/2" Phillips Pan Head "A" Screw
6	117605	5	Neoprene Sponge Tape (sold by the foot) For Models Mfd. as of March 6, 1998
	117602	5	Noise Suppressor Tape (sold by the foot) For Models Mfd. prior to March 6, 1998
7	160040	2	ACE® Lock Assembly ONLY
8	160140	-	Key ONLY (key number XX4451)

* Specify color when ordering.

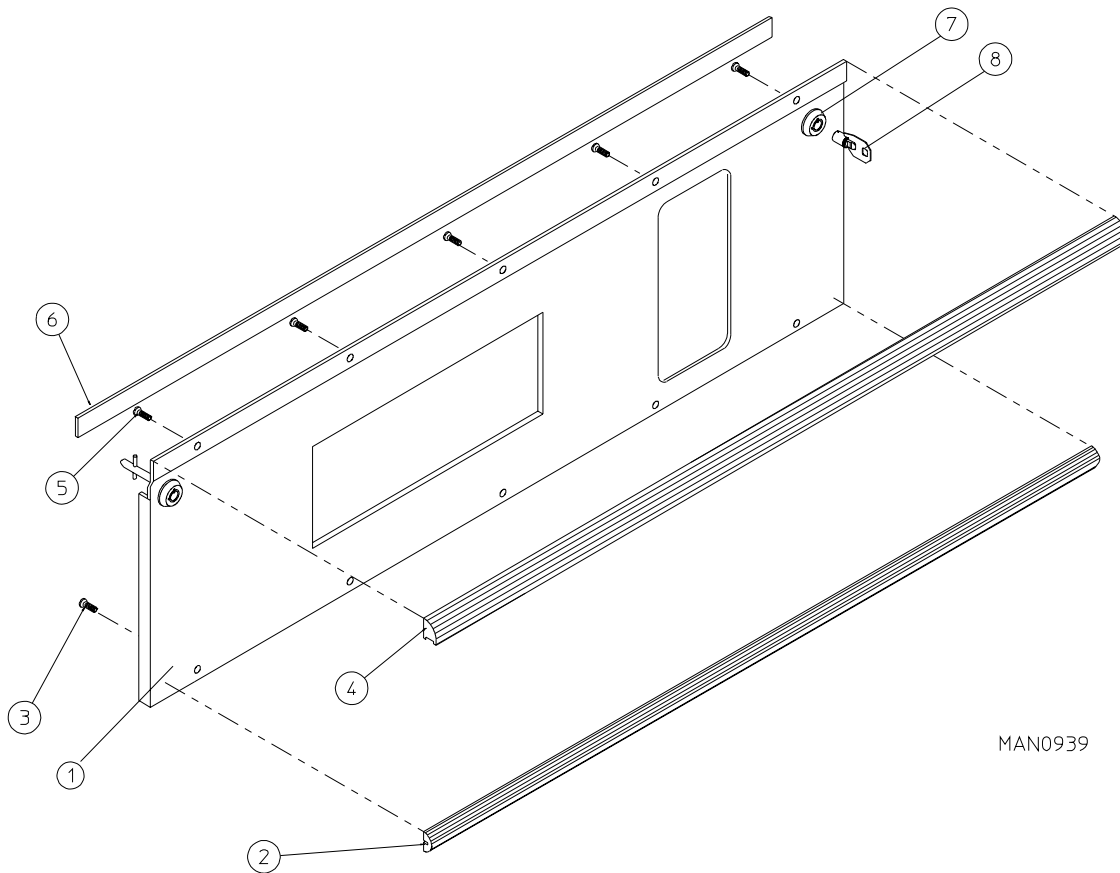
For Models Mfd. as of November 28, 2001 and Models Mfd. prior to June 9, 2001



<u>Illus. No.</u>	<u>Part No.</u>	<u>Qty.</u>	<u>Description</u>
1	880193*	1	AD-320 (3-leg) Coin Control Door Assembly Complete Less Locks (includes illus. nos. 1 through 6)
	880192	1	AD-320 (3-leg) Stainless Steel Coin Control Door Complete Less Locks (includes illus. nos. 1 through 6)
2	180315	1	AD-320 Lower Door Trim (29-11/16" length)
3	150310	5	#8 x 1/2" Phillips Pan Head "A" Screw
4	180316	1	AD-320 Upper Door Trim (29-11/16" length)
5	150310	5	#8 x 1/2" Phillips Pan Head "A" Screw
6	117605	5	Neoprene Sponge Tape (sold by the foot) For Models Mfd. as of March 6, 1998
	117602	5	Noise Suppressor Tape (sold by the foot) For Models Mfd. prior to March 6, 1998
7	160040	2	ACE® Lock Assembly ONLY
8	160140	-	Key ONLY (key number XX4451)

* Specify color when ordering.

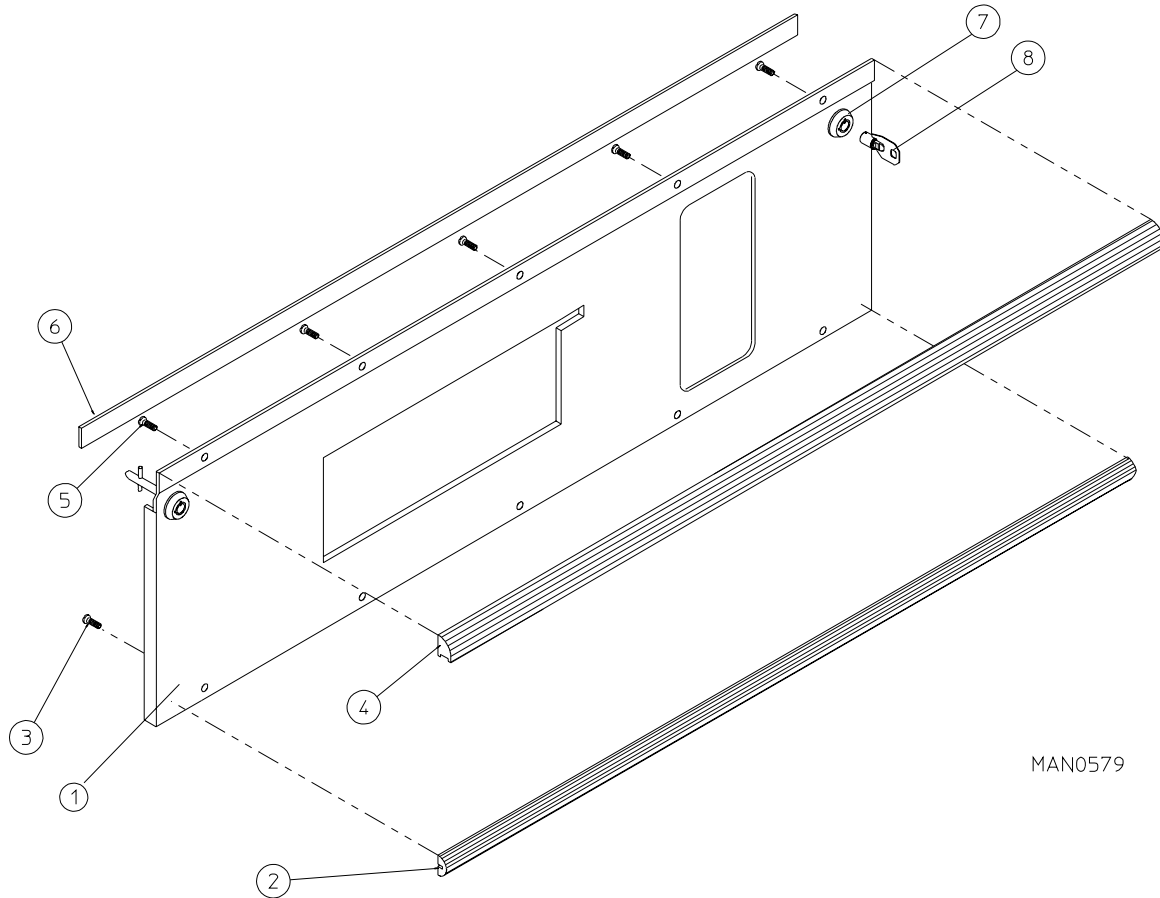
For Models Mfd. as of November 28, 2001 and Models Mfd. prior to June 9, 2001



Illus. No.	Part No.	Qty.	Description
1	880936*	1	AD-330 (3-leg) OPL Control Door Assembly Complete Less Locks (includes illus. nos. 1 through 6) For Models Mfd. as of February 3, 1994
	880196*	1	AD-330 (3-leg) OPL Control Door Assembly Complete Less Locks (includes illus. nos. 1 through 6) For Models Mfd. prior to February 3, 1994
	880197	1	AD-330 (3-leg) Stainless Steel OPL Control Door Complete Less Locks (includes illus. nos. 1 through 6)
2	180315	1	AD-330 Lower Door Trim (29-11/16" length)
3	150310	5	#8 x 1/2" Phillips Pan Head "A" Screw
4	180316	1	AD-330 Upper Door Trim (29-11/16" length)
5	150310	5	#8 x 1/2" Phillips Pan Head "A" Screw
6	117605	5	Neoprene Sponge Tape (sold by the foot) For Models Mfd. as of March 6, 1998
	117602	5	Noise Suppressor Tape (sold by the foot) For Models Mfd. prior to March 6, 1998
7	160040	2	ACE® Lock Assembly ONLY
8	160140	-	Key ONLY (key number XX4451)

* Specify color when ordering.

For Models Mfd. as of November 28, 2001 and Models Mfd. prior to June 9, 2001

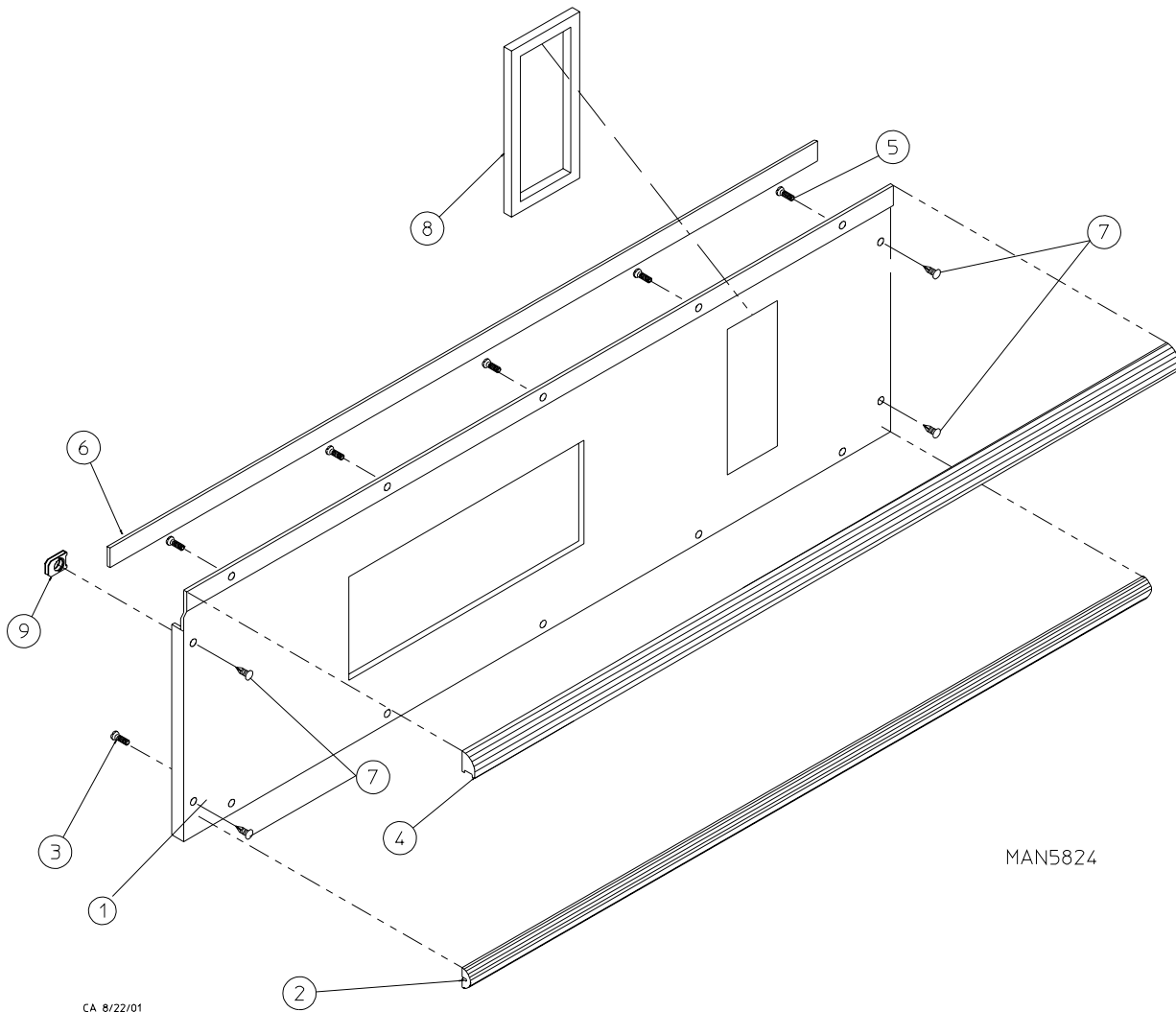


MAN0579

<u>Illus. No.</u>	<u>Part No.</u>	<u>Qty.</u>	<u>Description</u>
1	880935*	1	AD-320 (3-leg) OPL Control Door Assembly Complete Less Locks (includes illus. nos. 1 through 6) For Models Mfd. as of February 3, 1994
	880191*	1	AD-320 (3-leg) OPL Control Door Assembly Complete Less Locks (includes illus. nos. 1 through 6) For Models Mfd. prior to February 3, 1994
	880189	1	AD-320 (3-leg) Stainless Steel OPL Control Door Complete Less Locks (includes illus. nos. 1 through 6)
2	180315	1	AD-320 Lower Door Trim (29-11/16" length)
3	150310	5	#8 x 1/2" Phillips Pan Head "A" Screw
4	180316	1	AD-320 Upper Door Trim (29-11/16" length)
5	150310	5	#8 x 1/2" Phillips Pan Head "A" Screw
6	117605	5	Neoprene Sponge Tape (sold by the foot) For Models Mfd. as of March 6, 1998
	117602	5	Noise Suppressor Tape (sold by the foot) For Models Mfd. prior to March 6, 1998
7	160040	2	ACE® Lock Assembly ONLY
8	160140	-	Key ONLY (key number XX4451)

* Specify color when ordering.

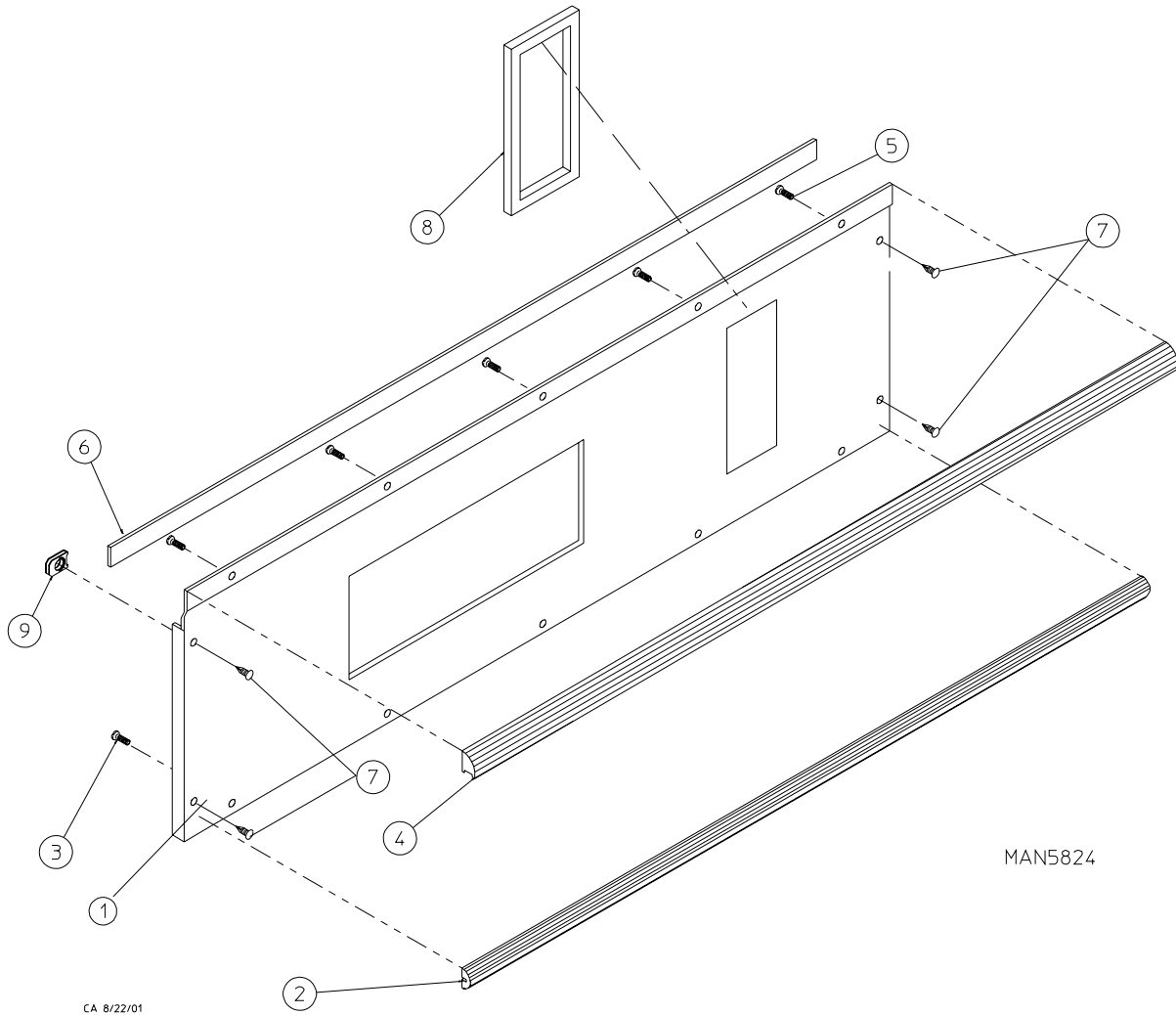
For Models Mfd. Between June 9, 2001 and November 28, 2001



<u>Illus. No.</u>	<u>Part No.</u>	<u>Qty.</u>	<u>Description</u>
1	883107*	1	AD-330 OPL Door Assembly Complete (includes illus. nos. 1 through 6 and 8)
	883108	1	AD-330 Stainless Steel OPL Door Complete (includes illus. nos. 1 through 6 and 8)
2	180315	1	AD-330 Lower Door Trim (29-11/16" length)
3	150310	5	#8 x 1/2" Phillips Pan Head "A" Screw
4	180316	1	AD-330 Upper Door Trim (29-11/16" length)
5	150310	5	#8 x 1/2" Phillips Pan Head "A" Screw
6	117604	3	Neoprene Sponge Tape (sold by the foot)
7	150314	4	#10-32 x 1/2" TORX and Bin Head Machine Screw
8	117606	2	5/16" Thick Neoprene Sponge Tape
9	154011	4	#10-32 Multi-Thread U-Nut

* Specify color when ordering.

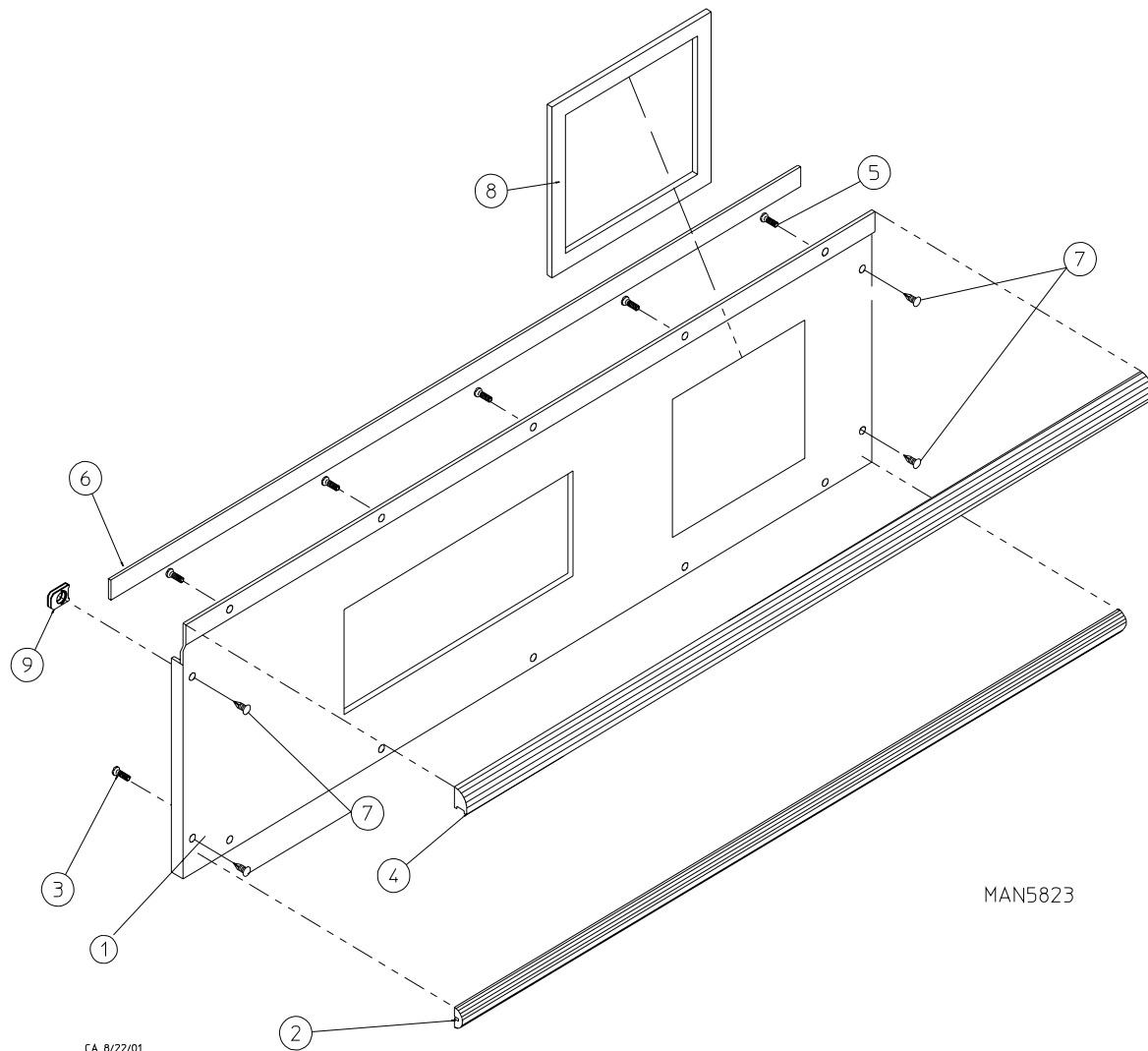
For Models Mfd. Between June 9, 2001 and November 28, 2001



<u>Illus. No.</u>	<u>Part No.</u>	<u>Qty.</u>	<u>Description</u>
1	883105*	1	AD-320 Lint Door Assembly Complete (includes illus. nos. 1 through 6 and 8)
	883106	1	AD-320 Stainless Steel Lint Door Complete (includes illus. nos. 1 through 6 and 8)
2	180315	1	AD-320 Lower Door Trim (29-11/16" length)
3	150310	5	#8 x 1/2" Phillips Pan Head "A" Screw
4	180316	1	AD-320 Upper Door Trim (29-11/16" length)
5	150310	5	#8 x 1/2" Phillips Pan Head "A" Screw
6	117604	3	Neoprene Sponge Tape (sold by the foot)
7	150314	4	#10-32 x 1/2" TORX and Bin Head Machine Screw
8	117606	2	5/16" Thick Neoprene Sponge Tape
9	154011	4	#10-32 Multi-Thread U-Nut

* Specify color when ordering.

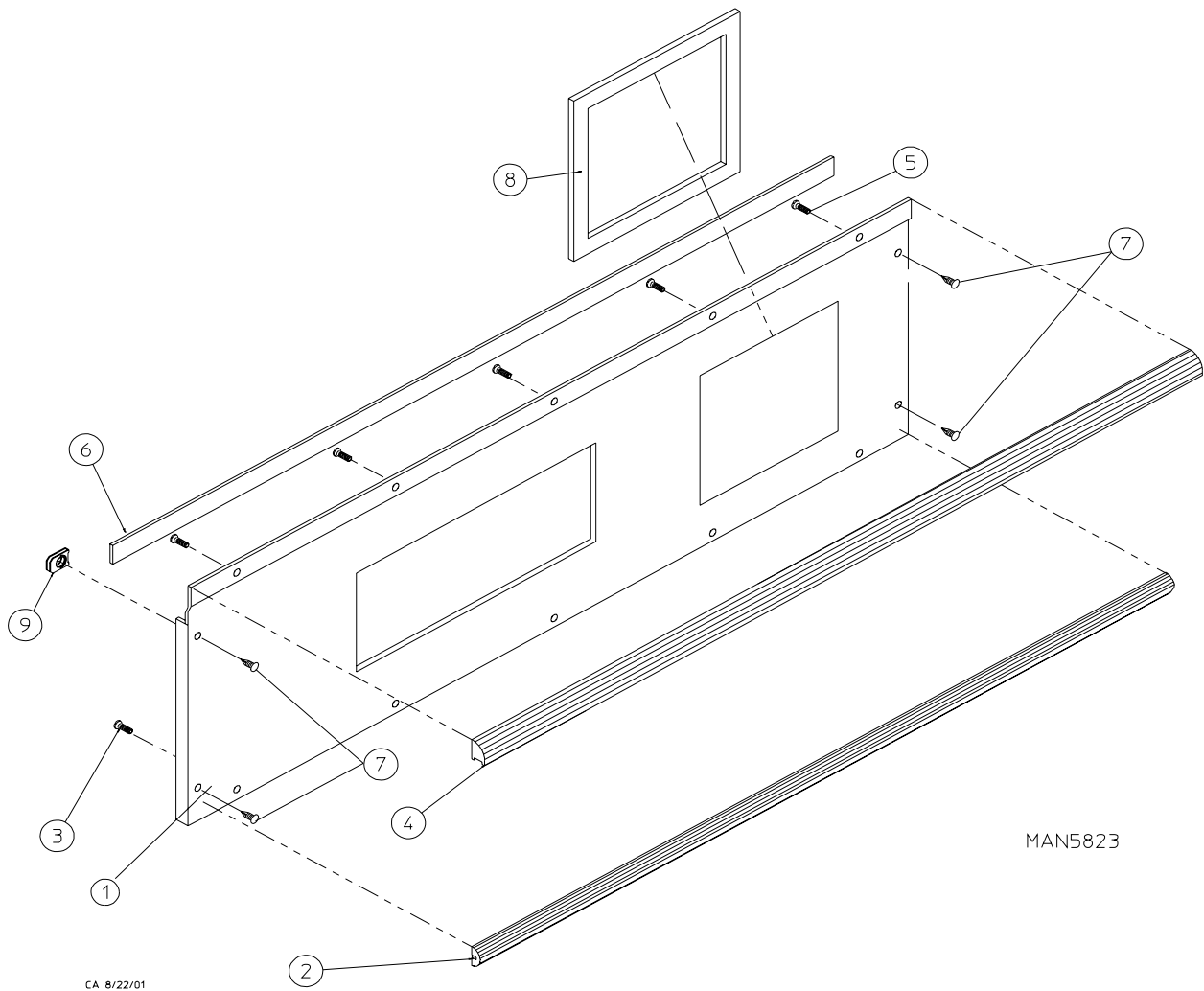
For Models Mfd. Between June 9, 2001 and November 28, 2001



<u>Illus. No.</u>	<u>Part No.</u>	<u>Qty.</u>	<u>Description</u>
1	883109*	1	AD-330 Debit Card Control Door Assembly Complete (includes illus. nos. 1 through 6 and 8)
	883110	1	AD-330 Stainless Steel Debit Card Control Door Complete (includes illus. nos. 1 through 6 and 8)
2	180315	1	AD-330 Lower Door Trim (29-11/16" length)
3	150310	5	#8 x 1/2" Phillips Pan Head "A" Screw
4	180316	1	AD-330 Upper Door Trim (29-11/16" length)
5	150310	5	#8 x 1/2" Phillips Pan Head "A" Screw
6	117604	3	Neoprene Sponge Tape (sold by the foot)
7	150314	4	#10-32 x 1/2" TORX and Bin Head Machine Screw
8	117606	2	5/16" Thick Neoprene Sponge Tape
9	154011	4	#10-32 Multi-Thread U-Nut

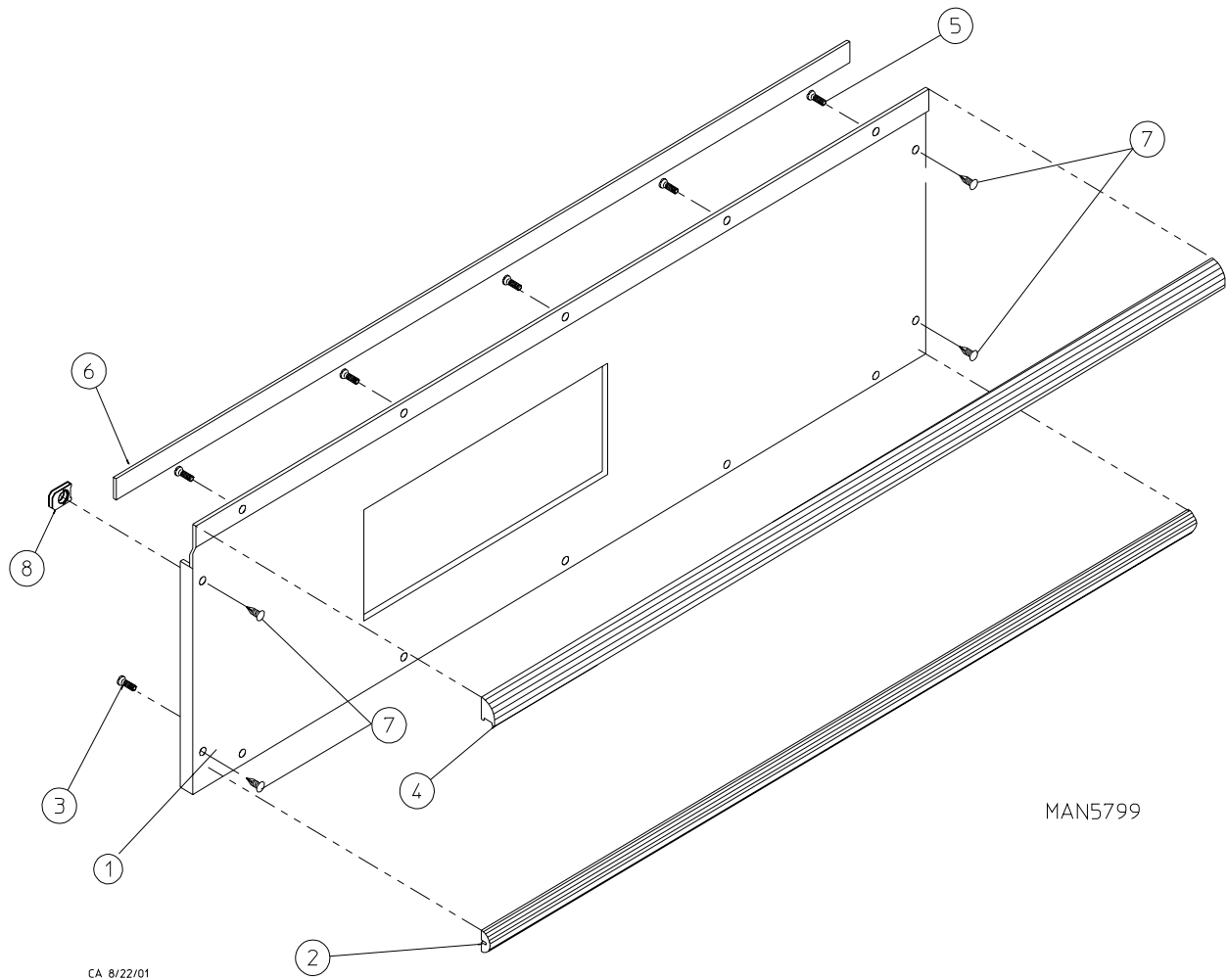
* Specify color when ordering.

For Models Mfd. Between June 9, 2001 and November 28, 2001



<u>Illus. No.</u>	<u>Part No.</u>	<u>Qty.</u>	<u>Description</u>
1	880246*	1	AD-320 Lint Door Assembly Complete (includes illus. nos. 1 through 6 and 8)
	880195	1	AD-320 Stainless Steel Control Door Complete (includes illus. nos. 1 through 6 and 8)
2	180315	1	AD-320 Lower Door Trim (29-11/16" length)
3	150310	5	#8 x 1/2" Phillips Pan Head "A" Screw
4	180316	1	AD-320 Upper Door Trim (29-11/16" length)
5	150310	5	#8 x 1/2" Phillips Pan Head "A" Screw
6	117604	3	Neoprene Sponge Tape (sold by the foot)
7	150314	4	#10-32 x 1/2" TORX and Bin Head Machine Screw
8	117606	2	5/16" Thick Neoprene Sponge Tape
9	154011	4	#10-32 Multi-Thread U-Nut

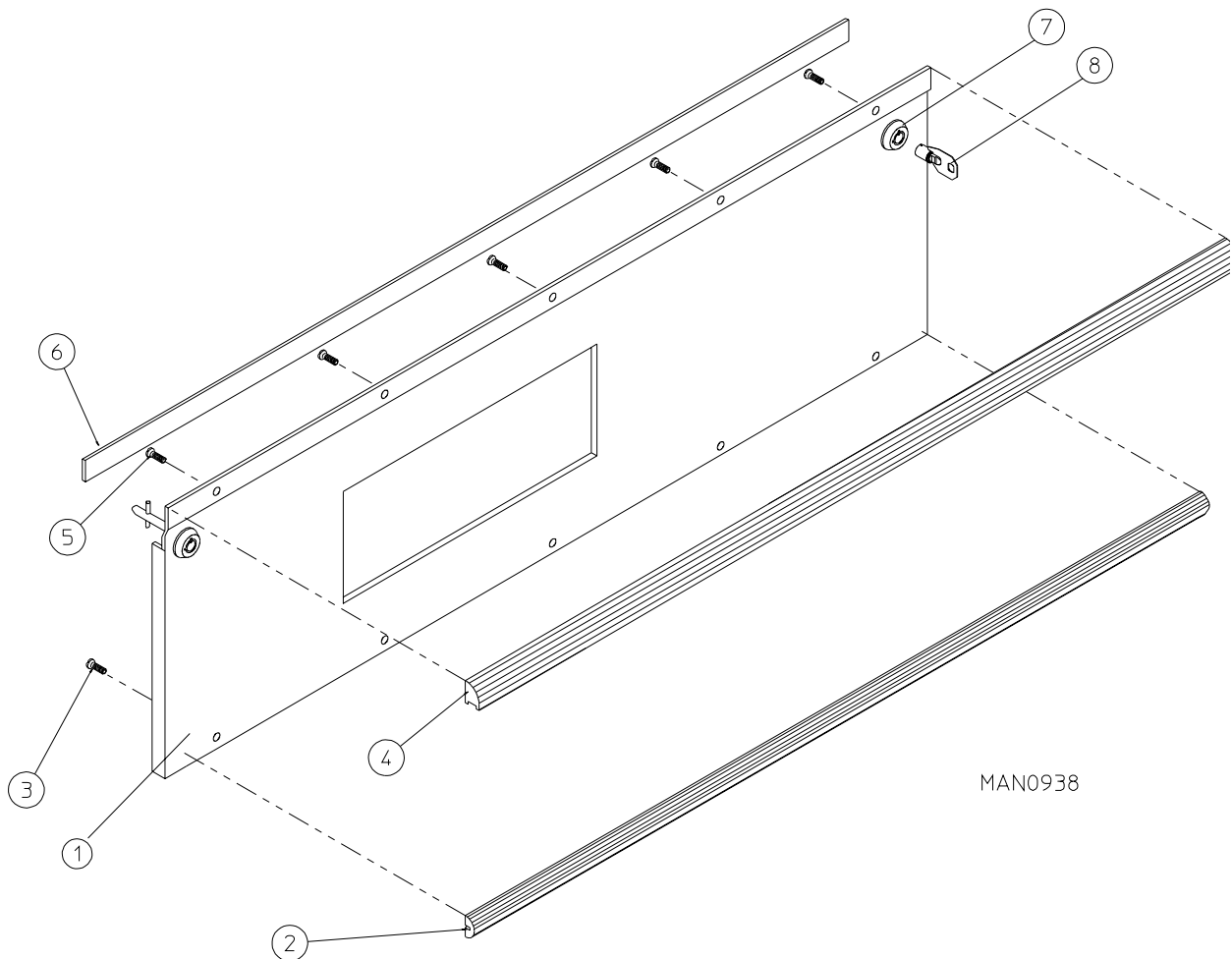
* Specify color when ordering.



<u>Illus. No.</u>	<u>Part No.</u>	<u>Qty.</u>	<u>Description</u>
1	883114*	1	AD-330 Lint Door Assembly Complete Less Locks (includes illus. nos. 1 through 6)
	883116	1	AD-330 Stainless Steel Lint Door Complete Less Locks (includes illus. nos. 1 through 6)
2	180315	1	AD-330 Lower Door Trim (29-11/16" length)
3	150310	5	#8 x 1/2" Phillips Pan Head "A" Screw
4	180316	1	AD-330 Upper Door Trim (29-11/16" length)
5	150310	5	#8 x 1/2" Phillips Pan Head "A" Screw
6	117605	5	Neoprene Sponge Tape (sold by the foot)
7	150314	4	#10-32 x 1/2" TORX and Bin Head Machine Screw
8	154011	4	#10-32 Multi-Thread U-Nut

* Specify color when ordering.

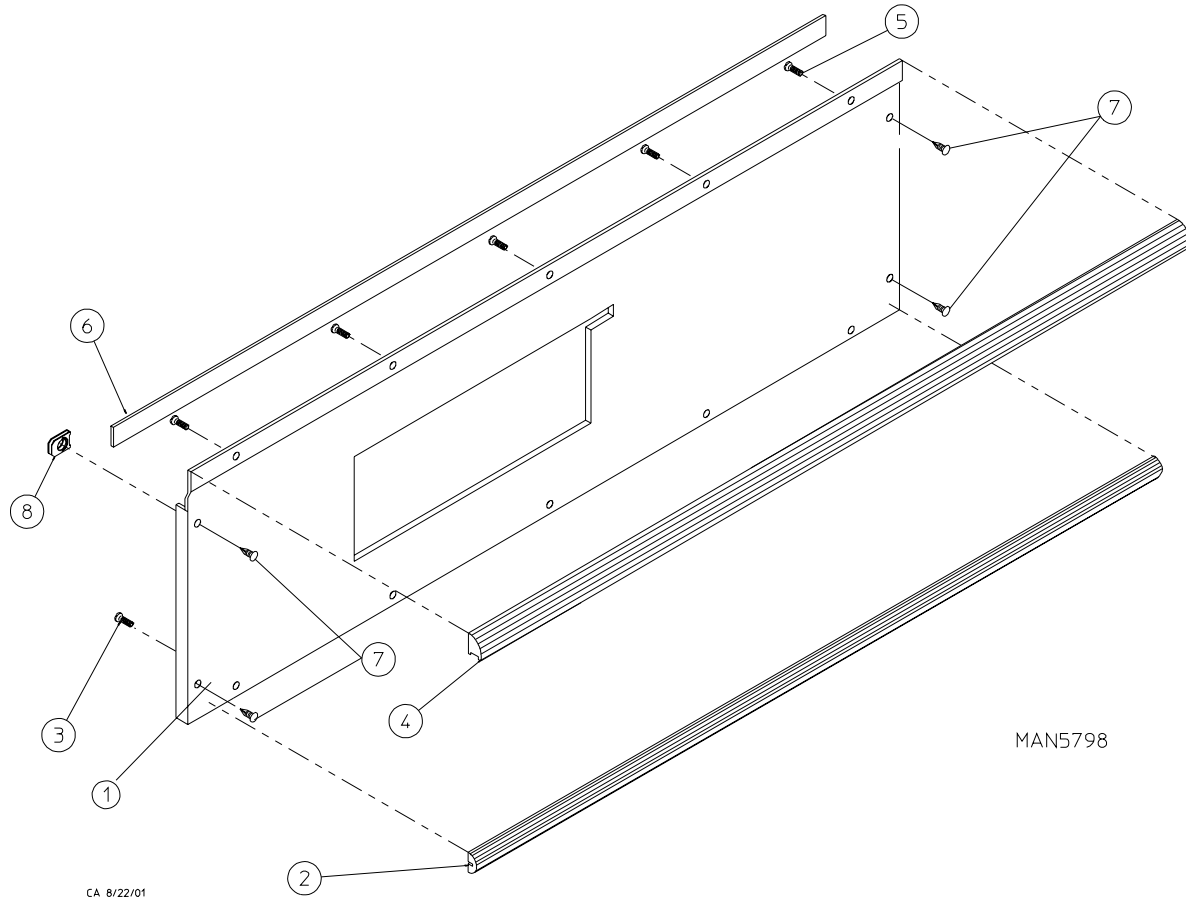
For Models Mfd. prior to June 9, 2001



MAN0938

<u>Illus. No.</u>	<u>Part No.</u>	<u>Qty.</u>	<u>Description</u>
1	880175*	1	AD-330 Lint Door Assembly Complete Less Locks (includes illus. nos. 1 through 6)
	880176	1	AD-330 Stainless Steel Lint Door Complete Less Locks (includes illus. nos. 1 through 6)
2	180315	1	AD-330 Lower Door Trim (29-11/16" length)
3	150310	5	#8 x 1/2" Phillips Pan Head "A" Screw
4	180316	1	AD-330 Upper Door Trim (29-11/16" length)
5	150310	5	#8 x 1/2" Phillips Pan Head "A" Screw
6	117605	5	Neoprene Sponge Tape (sold by the foot) For Models Mfd. as of March 6, 1998
	117602	5	Noise Suppressor Tape (sold by the foot) For Models Mfd. prior to March 6, 1998
7	160040	2	ACE® Lock Assembly ONLY
8	160140	-	Key ONLY (key number XX4451)

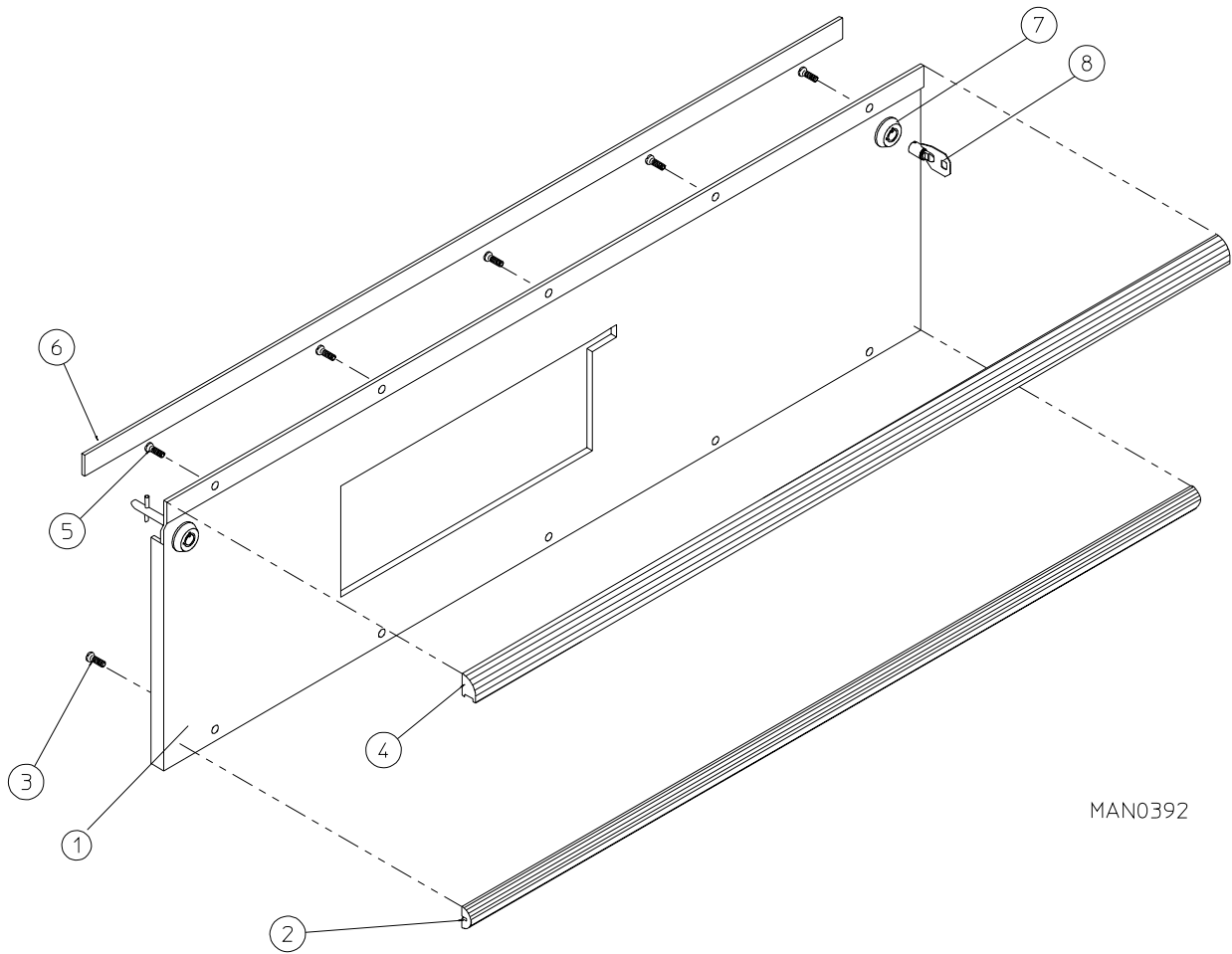
* Specify color when ordering.



<u>Illus. No.</u>	<u>Part No.</u>	<u>Qty.</u>	<u>Description</u>
1	883115*	1	AD-320 Lint Door Assembly Complete (includes illus. nos. 1 through 6)
	883113	1	AD-320 Stainless Steel Lint Door Complete (includes illus. nos. 1 through 6)
2	180315	1	AD-320 Lower Door Trim (29-11/16" length)
3	150310	5	#8 x 1/2" Phillips Pan Head "A" Screw
4	180316	1	AD-320 Upper Door Trim (29-11/16" length)
5	150310	5	#8 x 1/2" Phillips Pan Head "A" Screw
6	117605	5	Neoprene Sponge Tape (sold by the foot)
7	150314	4	#10-32 x 1/2" TORX and Bin Head Machine Screw
8	154011	4	#10-32 Multi-Thread U-Nut

* Specify color when ordering.

For Models Mfd. prior to June 9, 2001



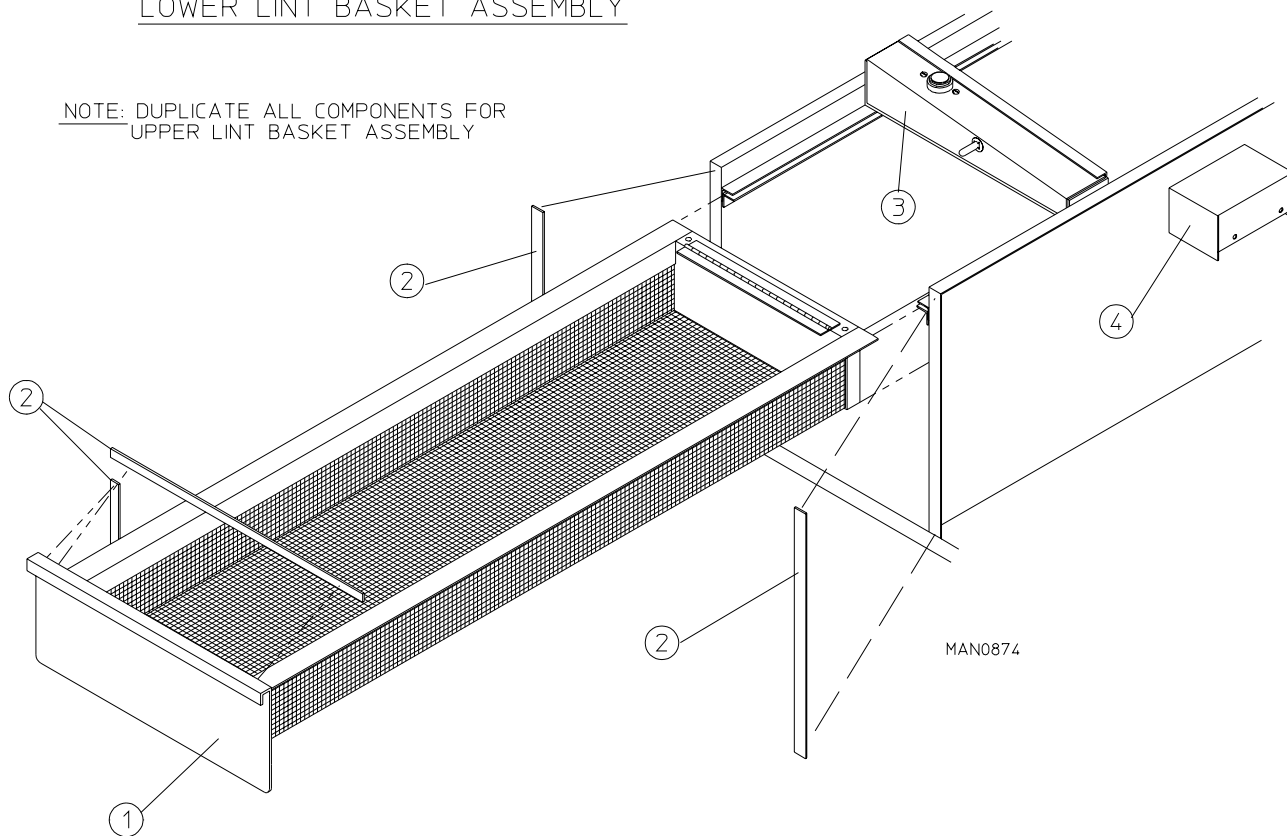
MAN0392

Illus. No.	Part No.	Qty.	Description
1	880246*	1	AD-320 Lint Door Assembly Complete Less Locks (includes illus. nos. 1 through 6)
	880195	1	AD-320 Stainless Steel Lint Door Complete Less Locks (includes illus. nos. 1 through 6)
2	180315	1	AD-320 Lower Door Trim (29-11/16" length)
3	150310	5	#8 x 1/2" Phillips Pan Head "A" Screw
4	180316	1	AD-320 Upper Door Trim (29-11/16" length)
5	150310	5	#8 x 1/2" Phillips Pan Head "A" Screw
6	117605	5	Neoprene Sponge Tape (sold by the foot) For Models Mfd. as of March 6, 1998
	117602	5	Noise Suppressor Tape (sold by the foot) For Models Mfd. prior to March 6, 1998
7	160040	2	ACE® Lock Assembly ONLY
8	160140	-	Key ONLY (key number XX4451)

* Specify color when ordering.

LOWER LINT BASKET ASSEMBLY

NOTE: DUPLICATE ALL COMPONENTS FOR
UPPER LINT BASKET ASSEMBLY



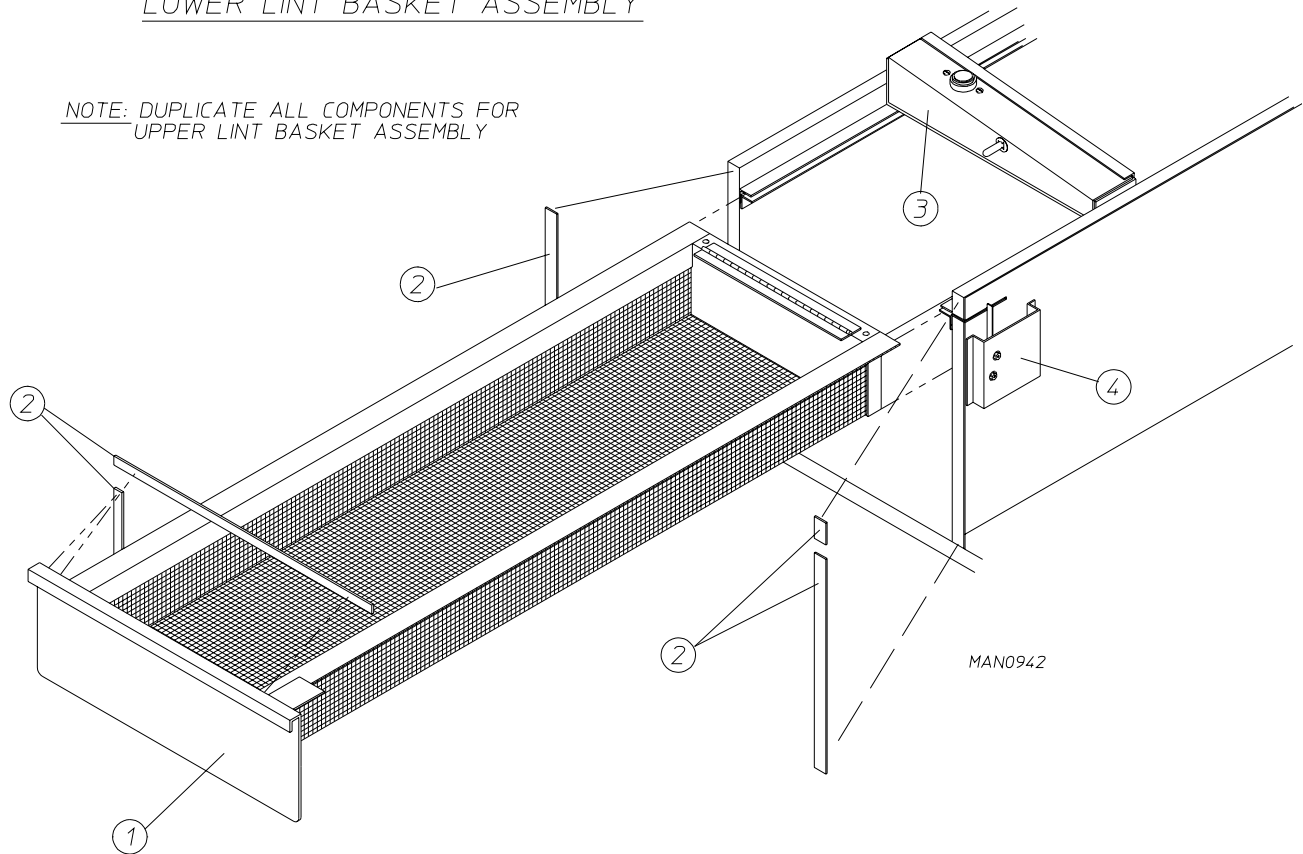
<u>Illus. No.</u>	<u>Part No.</u>	<u>Qty.</u>	<u>Description</u>
1	800435*	1	AD-330 Lint Drawer (basket) Assembly Complete (includes illus. nos. 1 and 2)
	850706	1	AD-330 Stainless Steel Lint Drawer (basket) Assembly Complete (includes illus. nos. 1 and 2)
2	117604	3	Neoprene Sponge Tape (sold by the foot) For Models Mfd. as of March 6, 1998
	117600	3	Noise Suppressor Tape (sold by the foot) For Models Mfd. prior to March 6, 1998
3	-----	1	Temperature Sensor Bracket (refer to Temperature Sensor Probe Assembly on page 45)
4	-----	1	Lint Drawer (basket) Switch (refer to AD-330 Lint Drawer (Basket) Switch Assembly on page 48)

* Specify color when ordering.

IMPORTANT: For models with optional lock refer to **AD-330 Locking Lint Drawer (Basket) Assembly** on [page 18](#).

LOWER LINT BASKET ASSEMBLY

NOTE: DUPLICATE ALL COMPONENTS FOR
UPPER LINT BASKET ASSEMBLY



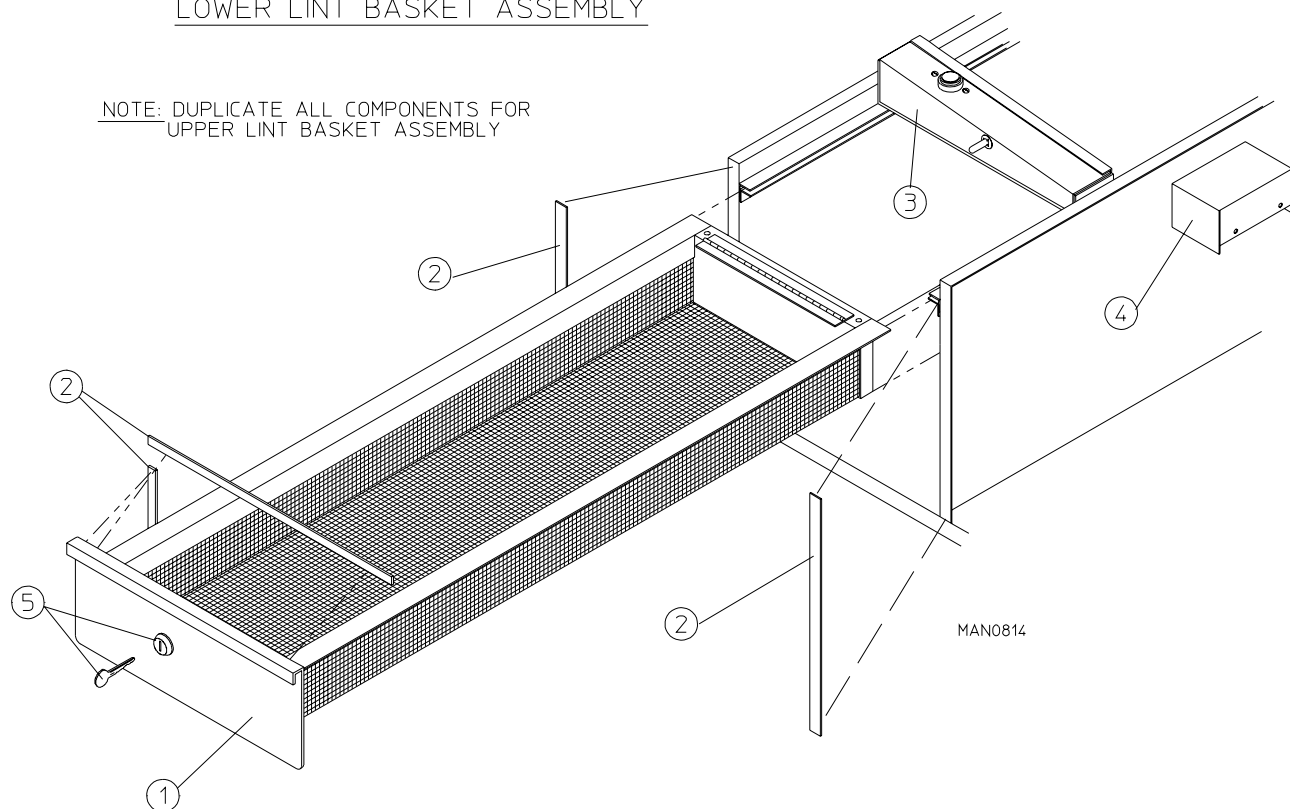
<u>Illus. No.</u>	<u>Part No.</u>	<u>Qty.</u>	<u>Description</u>
1	800439*	1	AD-320 Lint Drawer (basket) Assembly Complete (includes illus. nos. 1 and 2)
	850710	1	AD-320 Stainless Steel Lint Drawer (basket) Assembly Complete (includes illus. nos. 1 and 2)
2	117604	3	Neoprene Sponge Tape (sold by the foot) For Models Mfd. as of March 6, 1998
	117600	3	Noise Suppressor Tape (sold by the foot) For Models Mfd. prior to March 6, 1998
3	-----	1	Temperature Sensor Bracket (refer to Temperature Sensor Probe Assembly on page 45)
4	-----	1	Lint Drawer (basket) Switch (refer to AD-320 Lint Drawer (Basket) Switch Assembly on page 49)

* Specify color when ordering.

IMPORTANT: For models with optional lock refer to **AD-320 Locking Lint Drawer (Basket) Assembly** on [page 19](#).

LOWER LINT BASKET ASSEMBLY

NOTE: DUPLICATE ALL COMPONENTS FOR
UPPER LINT BASKET ASSEMBLY

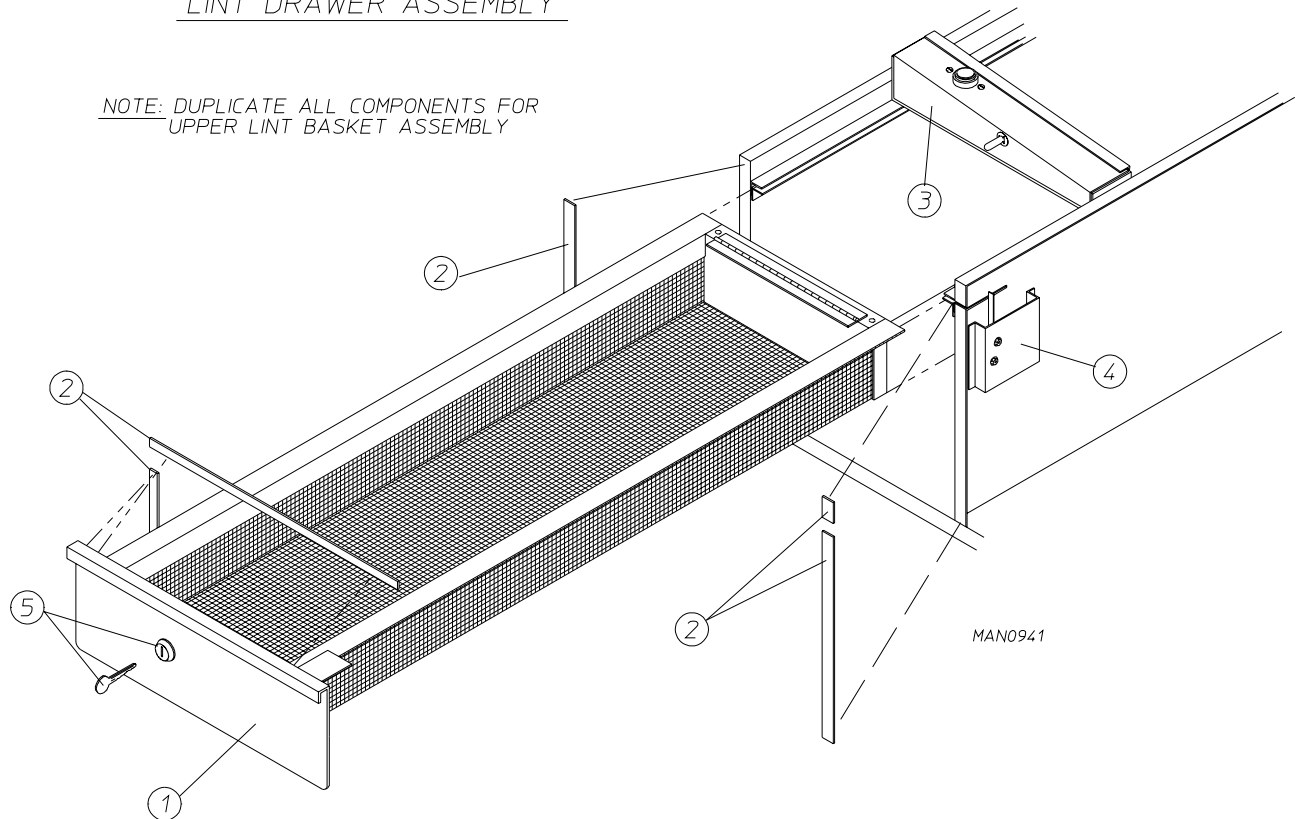


<u>Illus. No.</u>	<u>Part No.</u>	<u>Qty.</u>	<u>Description</u>
1	880182*	1	AD-330 Locking Lint Drawer (basket) Assembly Complete Less Lock (includes illus. nos. 1 and 2)
	880768	1	AD-330 Stainless Steel Locking Lint Drawer (basket) Assembly Complete Less Lock (includes illus. nos. 1 and 2)
2	117604	3	Neoprene Sponge Tape (sold by the foot) For Models Mfd. as of March 6, 1998
	117600	3	Noise Suppressor Tape (sold by the foot) For Models Mfd. prior to March 6, 1998
3	-----	1	Temperature Sensor Bracket (refer to Temperature Sensor Probe Assembly on page 45)
4	-----	1	Lint Drawer (basket) Switch (refer to AD-330 Lint Drawer (Basket) Switch Assembly on page 48)
5	160038	1	Lint Drawer Lock Assembly (keyed to number XX4451)
	160140	1	Key ONLY (key number XX4451)
	160034	1	Cam ONLY

* Specify color when ordering.

LINT DRAWER ASSEMBLY

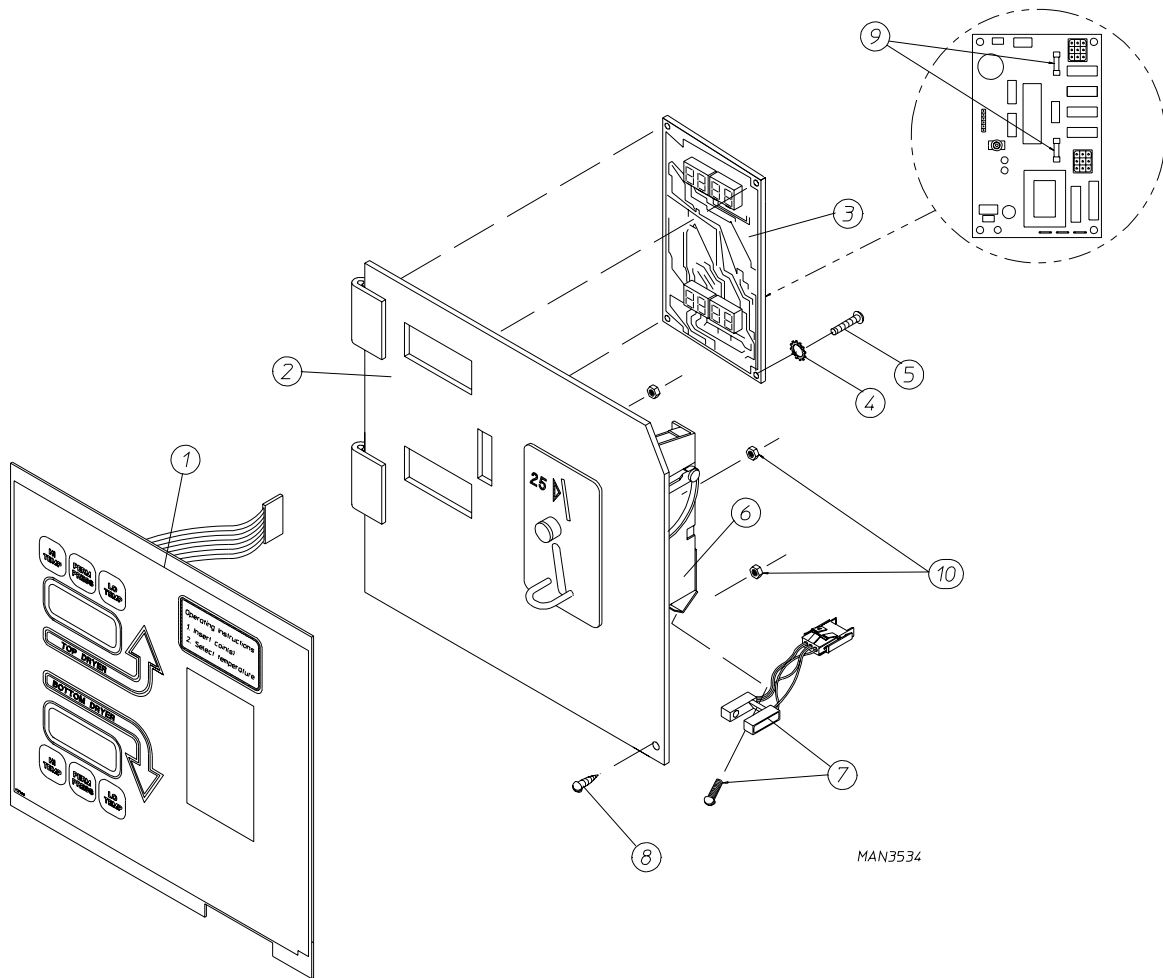
NOTE: DUPLICATE ALL COMPONENTS FOR
UPPER LINT BASKET ASSEMBLY



<u>Illus. No.</u>	<u>Part No.</u>	<u>Qty.</u>	<u>Description</u>
1	880769*	1	AD-320 Locking Lint Drawer (basket) Assembly Complete Less Lock (includes illus. nos. 1 and 2)
	880770	1	AD-320 Stainless Steel Locking Lint Drawer (basket) Assembly Complete Less Lock (includes illus. nos. 1 and 2)
2	117604	3	Neoprene Sponge Tape (sold by the foot) For Models Mfd. as of March 6, 1998
	117600	3	Noise Suppressor Tape (sold by the foot) For Models Mfd. prior to March 6, 1998
3	-----	1	Temperature Sensor Bracket (refer to Temperature Sensor Probe Assembly on page 45)
4	-----	1	Lint Drawer (basket) Switch (refer to AD-320 Lint Drawer (Basket) Switch Assembly on page 49)
5	160038	1	Lint Drawer Lock Assembly (keyed to number XX4451)
	160140	1	Key ONLY (key number XX4451)
	160034	1	Cam ONLY

* Specify color when ordering.

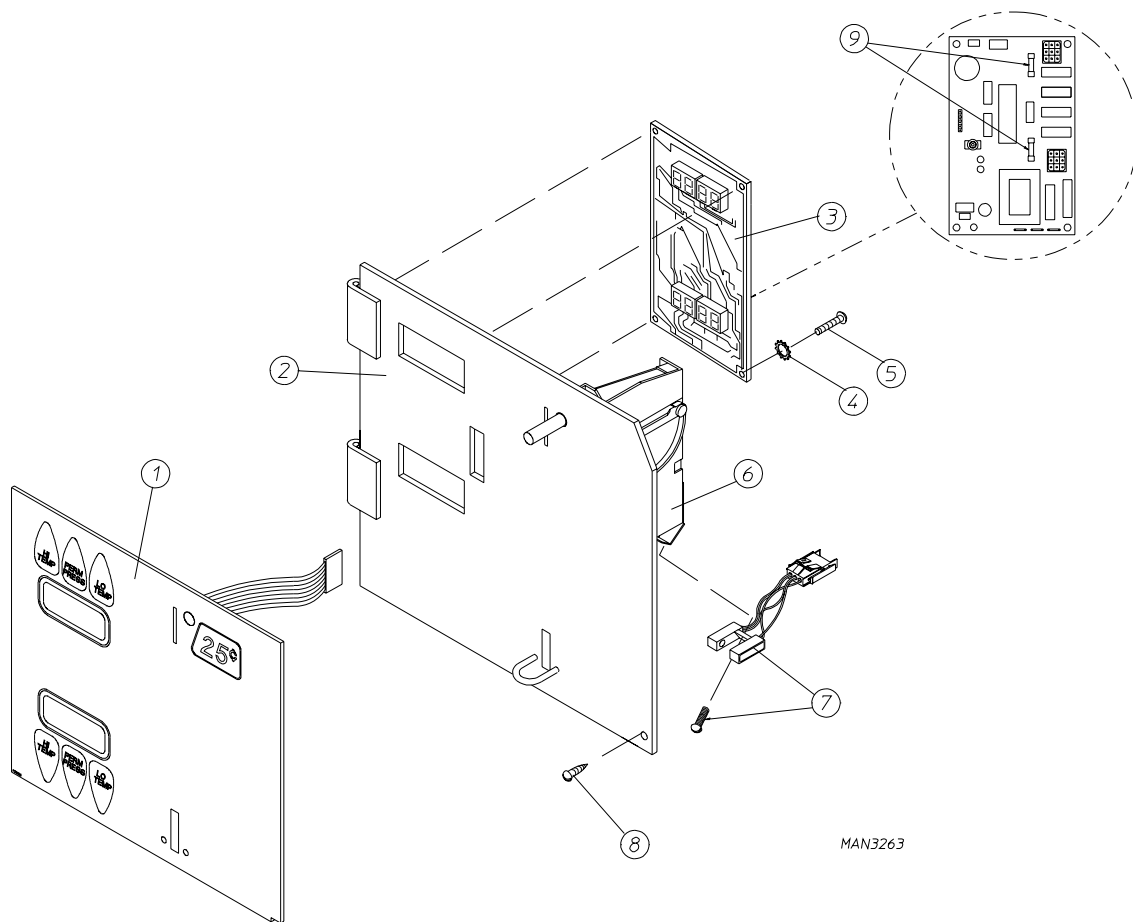
For Domestic Single Coin (25¢) Models Mfd. as of January 12, 1996



MAN3534

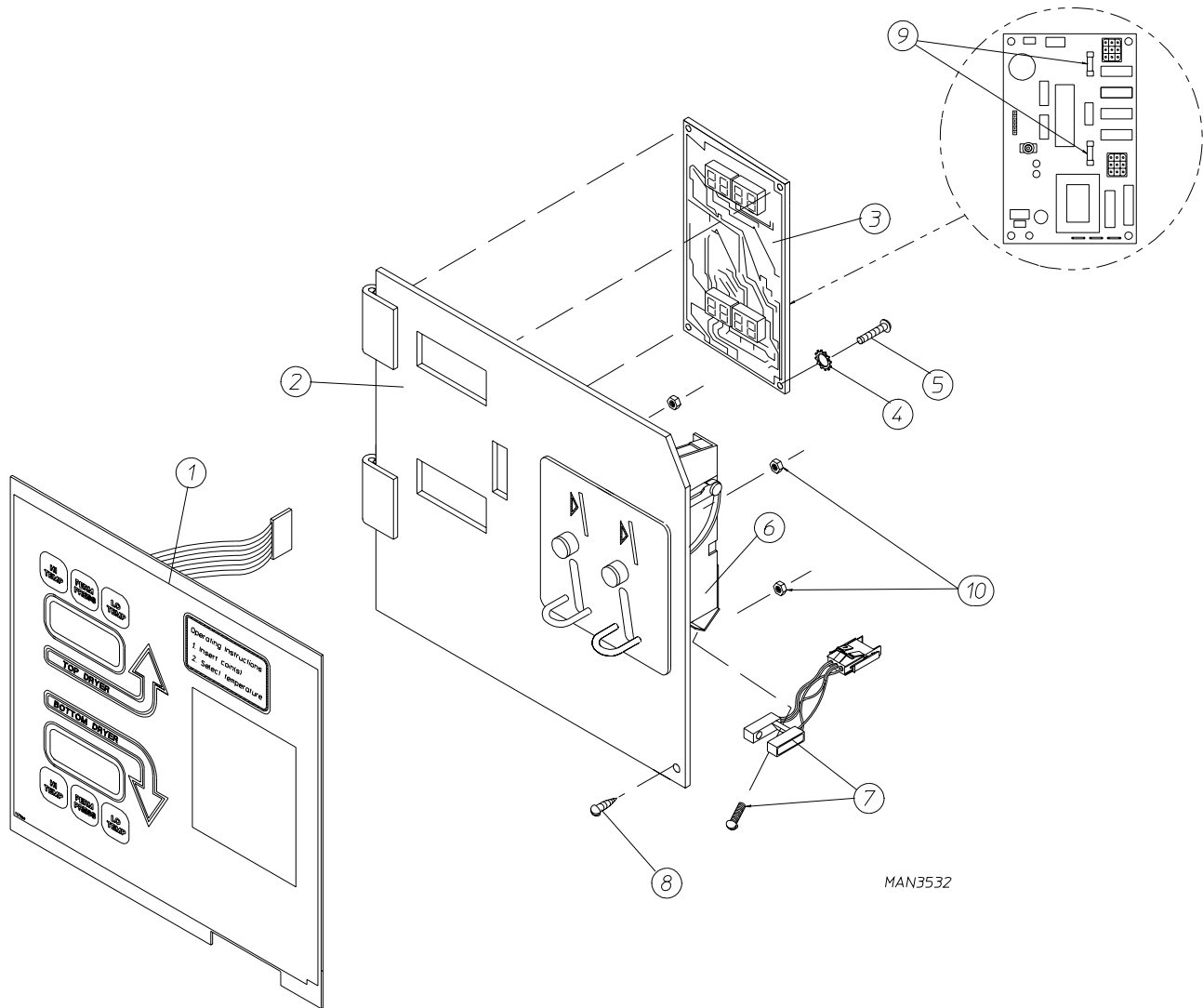
<u>Illus. No.</u>	<u>Part No.</u>	<u>Qty.</u>	<u>Description</u>
1	112566	1	Hanke Single Coin Twin Keyboard (touch pad) Label
2	881482	1	Single Coin Control Panel Complete Less Acceptor - 24 VAC (includes illus. nos. 1 through 5, 9, and 10)
	881485	1	Microprocessor Control Panel Complete with Battery Option - 24 VAC (includes illus. nos. 1 through 5, 9, and 10)
	881483	1	Hanke Dual Microprocessor Controller (DMC) Control Panel with Keyboard (touch pad) Label ONLY (includes illus. nos. 1 and 2)
3	137234	1	Phase 5 Dual Microprocessor Controller (DMC) ONLY
	824998	1	Phase 5 Battery Clip...Not Illustrated
4	153010	2	#6 Star Washer
5	150005	2	#6-32 x 1/4" Phillips Round Head Machine Screw
6	-----	-	Coin Acceptor with Optic Switch (refer to Hanke Microprocessor Coin Acceptor Listing on page 28)
7	881143	1	Hanke Optical Switch ONLY
8	150309	1	#10-16 x 1/2" Hex Head TEK Crimptite Screw
9	136048	2	1/8-Amp (slo blo) Fuse
10	152102	4	M3 Metric Hex Nut

For Single Coin (25¢) Models Mfd. with Coinco ONLY prior to January 12, 1996



Illus. No.	Part No.	Qty.	Description
1	112562*	1	Single Coin Twin Keyboard (touch pad) Label (for models mfd. as of May 25, 1993)
	112556*	1	Hanke Single Coin Twin Keyboard (touch pad) Label ONLY (for models mfd. prior to May 25, 1993)
2	824033	1	25¢ (U.S.) Microprocessor Control Panel Complete with Battery - 24 VAC (includes illus. nos. 1 through 7 and 9)
	824012	1	Single Coin Control Panel Complete Less Acceptor - 24 VAC (includes illus. nos. 1 through 5 and 7 through 9)
	801262	1	Dual Microprocessor Controller (DMC) Control Panel ONLY
3	137234	1	Phase 5 Dual Microprocessor Controller (DMC) ONLY
	824998	1	Phase 5 Battery Clip...Not Illustrated
4	153010	2	#6 Star Washer
5	150005	2	#6-32 x 1/4" Phillips Round Head Machine Screw
6	-----	1	25¢ Coin Acceptor ONLY (refer to 25¢ Coinco Coin Acceptor Component Listing on page 25)
7	137056	1	Optical Switch ONLY
8	150309	1	#10-16 x 1/2" Hex Head TEK Crimpite Screw
9	136048	2	0.125-Amp Fuse

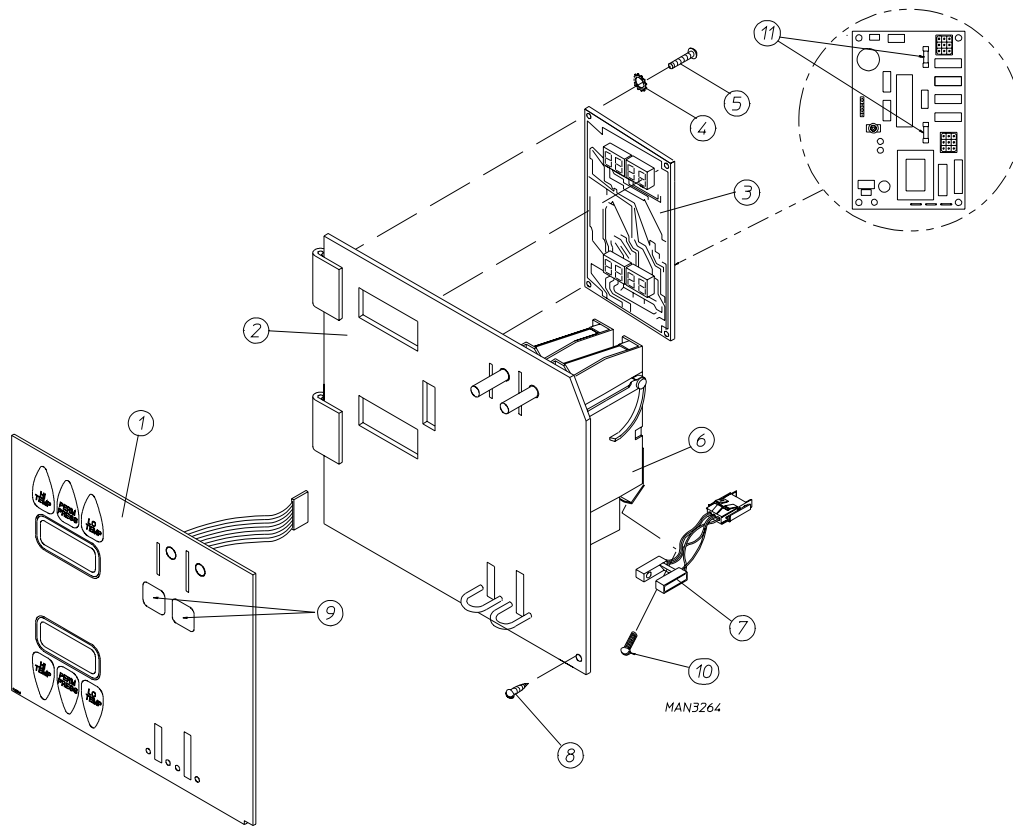
* Contact factory for export models.



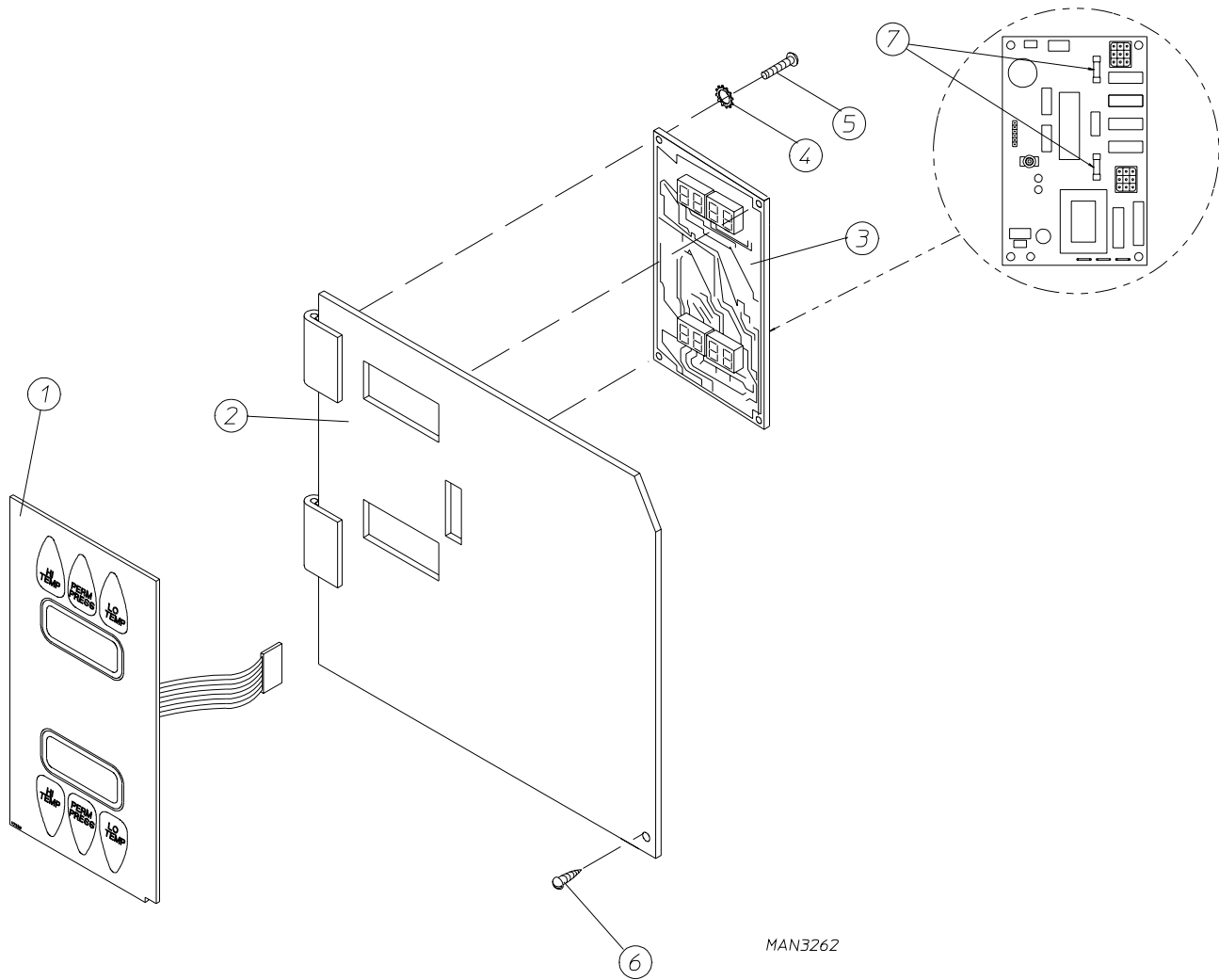
MAN3532

<u>Illus. No.</u>	<u>Part No.</u>	<u>Qty.</u>	<u>Description</u>
1	112567	1	Hanke Dual Coin Keyboard (touch pad) Label
2	881626	1	Hanke Phase 5 Dual Coin Control Panel Assembly Complete Less Acceptor (includes illus. nos. 1 through 5, 9, and 10)
	881627	1	Hanke Dual Coin Control Panel with Label ONLY (includes illus. nos. 1 and 2)
	881628	1	Hanke Dual Coin Control Panel ONLY
3	137234	1	Phase 5 Dual Microprocessor Controller (DMC) ONLY
	824998	1	Phase 5 Battery Clip...Not Illustrated
4	153010	2	#6 Star Washer
5	150005	2	#6-32 x 1/4" Phillips Round Head Machine Screw
6	-----	-	Coin Acceptor with Optic Switch (refer to Hanke Microprocessor Coin Acceptor Listing on page 28)
7	881143	1	Hanke Optical Switch ONLY
8	150309	1	#10-16 x 1/2" Hex Head TEK Crimptite Screw
9	136048	2	1/8-Amp (slo blo) Fuse
10	152102	4	M3 Metric Hex Nut

For Export Models ONLY

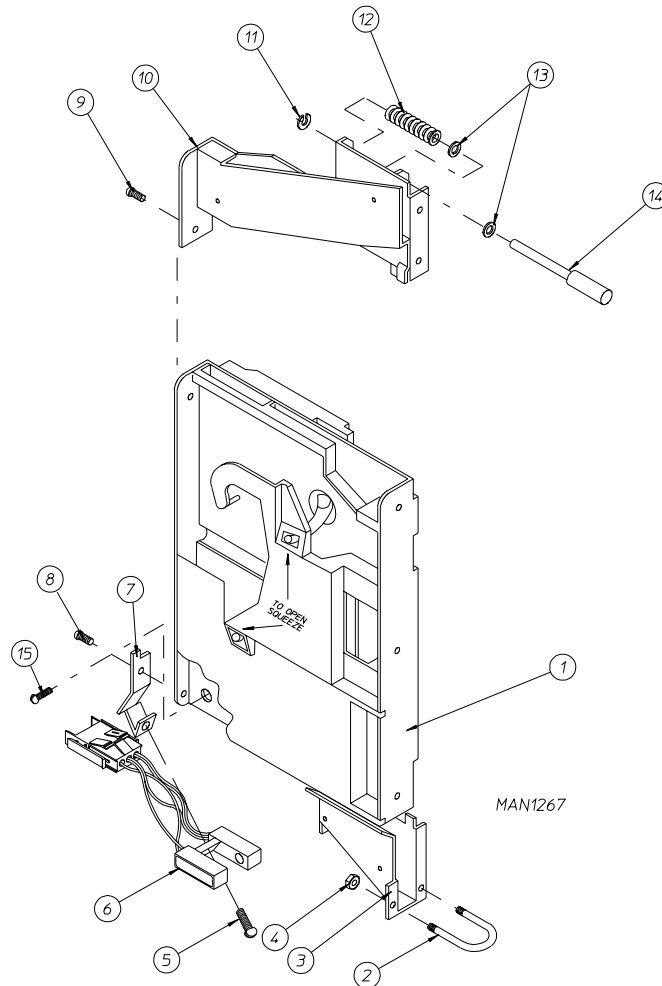


<u>Illus. No.</u>	<u>Part No.</u>	<u>Qty.</u>	<u>Description</u>
1	112557	1	AD-330/AD-320 Dual Coin Twin Keyboard (touch pad) Label ONLY
2	824019	1	AD-330/AD-320 Dual Coin Control Panel Assembly Less Coin Acceptor (includes illus. nos. 1 through 5 and 11)
	801263	1	AD-330/AD-320 Dual Coin Control Panel
3	137234	1	Phase 5 Dual Microprocessor Controller (DMC) ONLY
	824998	1	Phase 5 Battery Clip...Not Illustrated
4	153010	2	#6 Star Washer
5	150005	2	#6-32 x 1/4" Phillips Round Head Machine Screw
6	-----	1	Dual Coin Acceptor ONLY (refer to Coinco Dual Coin Acceptor Component Listing on page 26 and page 27)
7	137056	2	Optical Switch ONLY
8	150309	1	#10-16 x 1/2" Hex Head TEK Crimptite Screw
9	112153	1	25¢/\$1 Currency Label (Canada Only)
	112152	1	20P/50P Currency Label (United Kingdom Only)
	112154	1	20P/1£ Currency Label (United Kingdom Only)
	112150	1	5BF/20BF Currency Label (Belgium Only)
	112151	1	2FF/5FF Currency Label (France Only)
	112155	1	5KR/10KR Currency Label (Denmark Only)
	112156	1	25¢/1G Currency Label (Netherlands Only)
10	150020	1	#4-40 x 5/16" Slotted Pan Head Machine Screw
11	136048	2	0.125-Amp Fuse



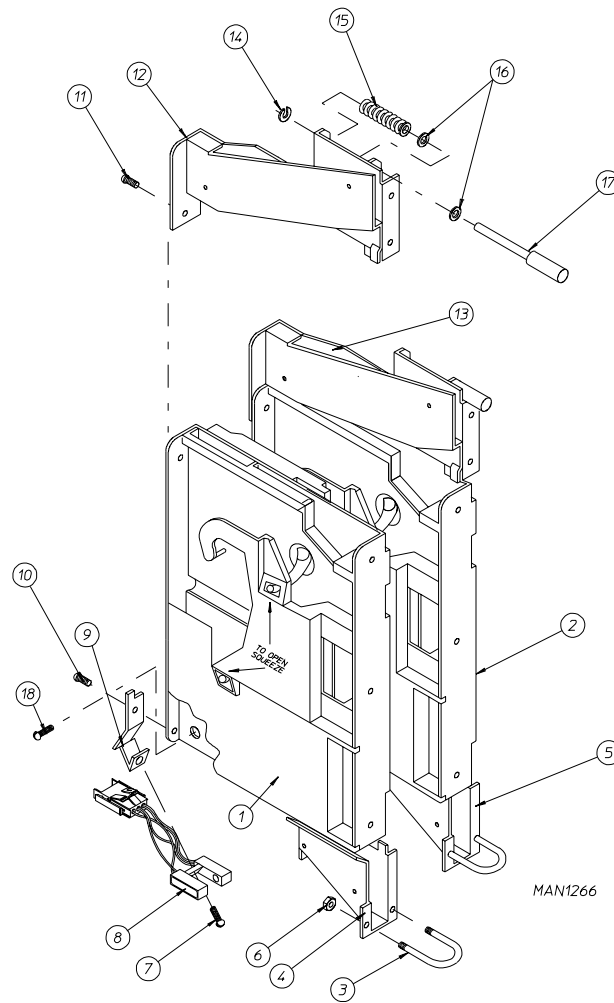
<u>Illus. No.</u>	<u>Part No.</u>	<u>Qty.</u>	<u>Description</u>
1	112556	1	Hanke Single Coin Twin Keyboard (touch pad) Label ONLY
2	824009	1	OPL Control Panel Assembly Complete - 24 VAC (includes illus. nos. 1 through 5 and 7)
	824011	1	OPL Control Panel Assembly Complete with Battery Option - 24 VAC (includes illus. nos. 1 through 5 and 7)
	850469	1	OPL Control Panel ONLY (for models mfd. as of December 6, 2001)
3	137234	1	Phase 5 Dual Microprocessor Controller (DMC) ONLY
	824998	1	Phase 5 Battery Clip...Not Illustrated
4	153010	2	#6 Star Washer
5	150005	2	#6-32 x 1/4" Phillips Round Head Machine Screw
6	150309	1	#10-16 x 1/2" Hex Head TEK Crimptite Screw
7	136048	2	1/8-Amp (slo blo) Fuse

For Single Coin (25¢) Models Mfd. with Coinco ONLY prior to January 12, 1996



<u>Illus. No.</u>	<u>Part No.</u>	<u>Qty.</u>	<u>Description</u>
1	881930	1	25¢ Coin Acceptor Body ONLY
2	154320	1	#4-40 x 11/16" x 1" U-Bolt ONLY
3	880800	1	Small Lower Reject with Bracket Kit (includes illus. nos. 3 and 15)
	125720	1	25¢ Coin Acceptor Lower Reject with Bracket ONLY
4	152016	2	#4-40 Hex Nut
5	150020	1	#4-40 x 5/16" Slotted Pan Head Machine Screw
6	137056	1	Optical Switch ONLY
7	137049	1	Optical Switch Mounting Bracket ONLY
8	150020	1	#4-40 x 5/16" Slotted Pan Head Machine Screw
9	150020	1	#4-40 x 5/16" Slotted Pan Head Machine Screw
10	125715	1	25¢ Coin Acceptor Upper Assembly Complete (includes illus. nos. 10 through 14)
11	125706	1	3/16" Coin Acceptor Retaining Ring ONLY
12	125704	1	Coin Acceptor Spring ONLY
13	125705	2	Coin Acceptor Spacer ONLY
14	125703	1	Coin Acceptor Rod ONLY
15	150110	1	#8-32 x 1/4" Binding Head Phillips Machine Screw

For Export Models ONLY



<u>Illus. No.</u>	<u>Part No.</u>	<u>Qty.</u>	<u>Description</u>
1	125726	1	\$1 Canadian Coin Acceptor Body ONLY
	125729	1	50 English Pence (50P) Coin Acceptor Body ONLY
	881931	1	1 English Pound (1£) Coin Acceptor Body ONLY
	125732	1	20 Belgian Franc (20BF) Coin Acceptor Body ONLY
	125735	1	5 French Franc (5FF) Coin Acceptor Body ONLY
	125738	1	10 Danish Krone (10KR) Coin Acceptor Body ONLY
	881923	1	1 Dutch Guilder (1G) Coin Acceptor Body ONLY
2	882054	1	25¢ Canadian Coin Acceptor Body ONLY
	125728	1	20 English Pence (20P) Coin Acceptor Body ONLY
	125731	1	5 Belgian Franc (5BF) Coin Acceptor Body ONLY
	125734	1	2 French Franc (2FF) Coin Acceptor Body ONLY
	125737	1	5 Danish Krone (5KR) Coin Acceptor Body ONLY
	881926	2	25¢ Dutch Guilder Coin Acceptor Body ONLY
3	154320	2	#4-40 x 11/16" x 1" U-Bolt ONLY
4	880801	1	Large Lower Reject with Bracket Kit (includes illus. nos. 4 and 18)
	125721	1	\$1 Canadian Coin Acceptor Lower Assembly ONLY
		1	50 English Pence (50P) Coin Acceptor Lower Assembly ONLY
		1	1 English Pound (1£) Coin Acceptor Lower Assembly ONLY
		1	20 Belgian Franc (20BF) Coin Acceptor Lower Assembly ONLY
		1	5 French Franc (5FF) Coin Acceptor Lower Assembly ONLY
		1	10 Danish Krone (10KR) Coin Acceptor Lower Assembly ONLY
		1	1 Dutch Guilder (1G) Coin Acceptor Lower Assembly ONLY

For Export Models ONLY

<u>Illus. No.</u>	<u>Part No.</u>	<u>Qty.</u>	<u>Description</u>
5	880800	1	Small Lower Reject with Bracket Kit (includes illus. nos. 5 and 18)
	125720	1	25¢ Canadian Coin Acceptor Lower Assembly ONLY
		1	20 English Pence (20P) Coin Acceptor Lower Assembly ONLY
		1	5 Belgian Franc (5BF) Coin Acceptor Lower Assembly ONLY
		1	25¢ Dutch Guilder Coin Acceptor Lower Assembly ONLY
	880801	1	Large Lower Reject with Bracket Kit (includes illus. nos. 5 and 18)
	125721	1	2 French Franc (2FF) Coin Acceptor Lower Assembly ONLY
		1	5 Danish Krone (5KR) Coin Acceptor Lower Assembly ONLY
6	152016	4	#4-40 Hex Nut
7	150020	2	#4-40 x 5/16" Slotted Pan Head Machine Screw
8	137056	2	Optical Switch ONLY
9	137049	2	Optical Switch Mounting Bracket ONLY
10	150020	2	#4-40 x 5/16" Slotted Pan Head Machine Screw
11	150020	2	#4-40 x 5/16" Slotted Pan Head Machine Screw
12	125716	1	\$1 Canadian Coin Acceptor Upper Assembly Complete (includes illus. nos. 12 and 14 through 17)
		1	50 English Pence (50P) Coin Acceptor Upper Assembly Complete (includes illus. nos. 12 and 14 through 17)
		1	1 English Pound (1£) Coin Acceptor Upper Assembly Complete (includes illus. nos. 12 and 14 through 17)
		1	20 Belgian Franc (20BF) Coin Acceptor Upper Assembly Complete (includes illus. nos. 12 and 14 through 17)
		1	5 French Franc (5FF) Coin Acceptor Upper Assembly Complete (includes illus. nos. 12 and 14 through 17)
		1	10 Danish Krone (10KR) Coin Acceptor Upper Assembly Complete (includes illus. nos. 12 and 14 through 17)
		1	1 Dutch Guilder (1G) Coin Acceptor Upper Assembly Complete (includes illus. nos. 12 and 14 through 17)
13	125715	1	25¢ Canadian Coin Acceptor Upper Assembly Complete (includes illus. nos. 13 through 17)
		1	20 English Pence (20P) Coin Acceptor Upper Assembly Complete (includes illus. nos. 13 through 17)
		1	5 Belgian Franc (5BF) Coin Acceptor Upper Assembly Complete (includes illus. nos. 13 through 17)
		1	25¢ Dutch Guilder Coin Acceptor Upper Assembly Complete (includes illus. nos. 13 through 17)
	125716	1	2 French Franc (2FF) Coin Acceptor Upper Assembly Complete (includes illus. nos. 13 through 17)
		1	5 Danish Krone (5KR) Coin Acceptor Upper Assembly Complete (includes illus. nos. 13 through 17)
14	125706	2	3/16" Coin Acceptor Retainer Ring ONLY
15	125704	2	Coin Acceptor Spring ONLY
16	125705	4	Coin Acceptor Spacer ONLY
17	125703	2	Coin Acceptor Rod ONLY
18	150110	2	#8-32 x 1/4" Binding Head Phillips Machine Screw

NOTE: Coin acceptors listed include optical switch(es).

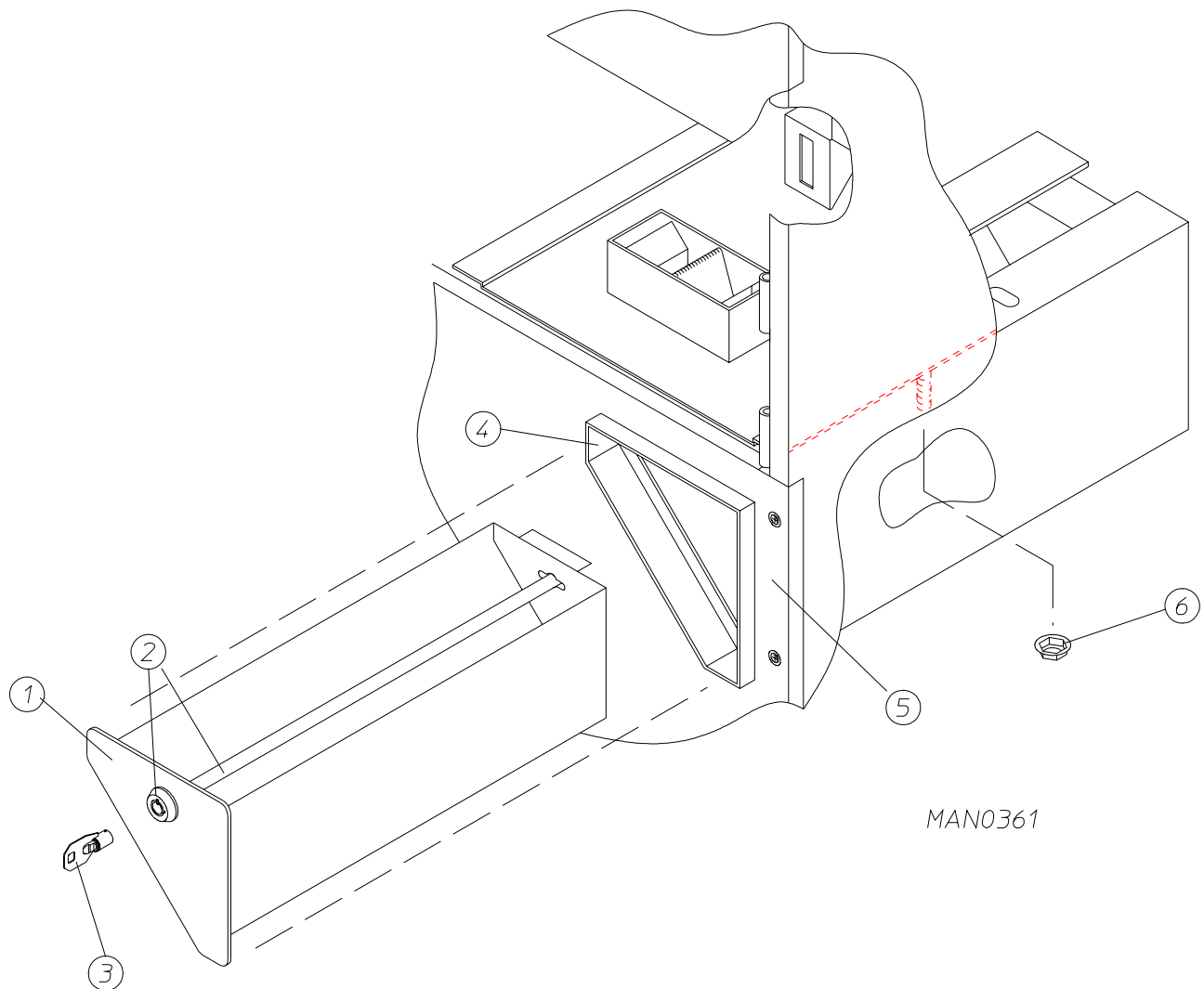
Single Coin*

<u>ADC Part No.</u>	<u>Nation</u>	<u>Description</u>
881163	United States	25¢ Optic Coin Acceptor
881450	Canada	25¢ Canadian Optic Coin Acceptor
881451	-----	0.880 x 0.062 Token Optic Coin Acceptor
881636	-----	0.800 x 0.07 Token Optic Coin Acceptor
881546	Japan	100 Yen Optic Coin Acceptor

Dual Coin*

881609	France	2/5 French Franc Dual Optic Coin Acceptor
881610	Belgium	5/20 Belgian Franc Dual Optic Coin Acceptor

* Consult factory for coin acceptors not listed.

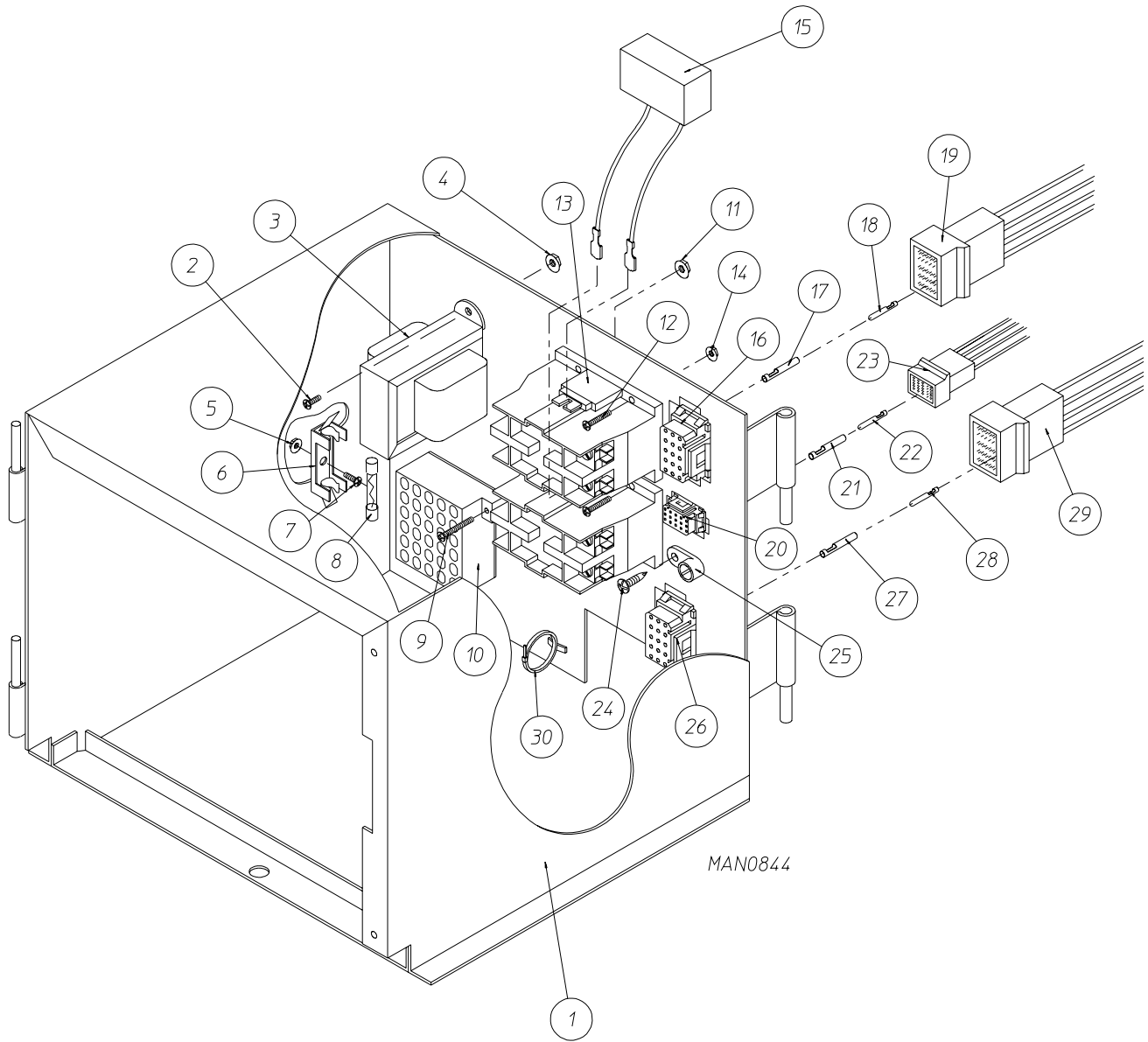


MAN0361

<u>Illus. No.</u>	<u>Part No.</u>	<u>Qty.</u>	<u>Description</u>
1*	880118	1	AD-330/AD-320 Coin Box Assembly ONLY Less Lock
2**	160036	1	ACE® Lock Assembly with Key
3**	160136	1	ACE® Key ONLY
4	880117*	1	AD-330/AD-320 Coin Vault Assembly ONLY Less Lock (includes illus. nos. 1, 4, and 6)
5	800690*	1	AD-330/AD-320 Lower Front Panel Assembly Complete with Hinge (refer to Lower Front Panel Assembly For Plastic Door on page 33)
	800687	1	AD-330/AD-320 Stainless Steel Lower Front Panel Assembly Complete with Hinge (refer to Lower Front Panel Assembly For Plastic Door on page 33)
6	152014	4	1/4-20 Free Spin Wash Nut

* Specify color when ordering.

** Specify key number when ordering.



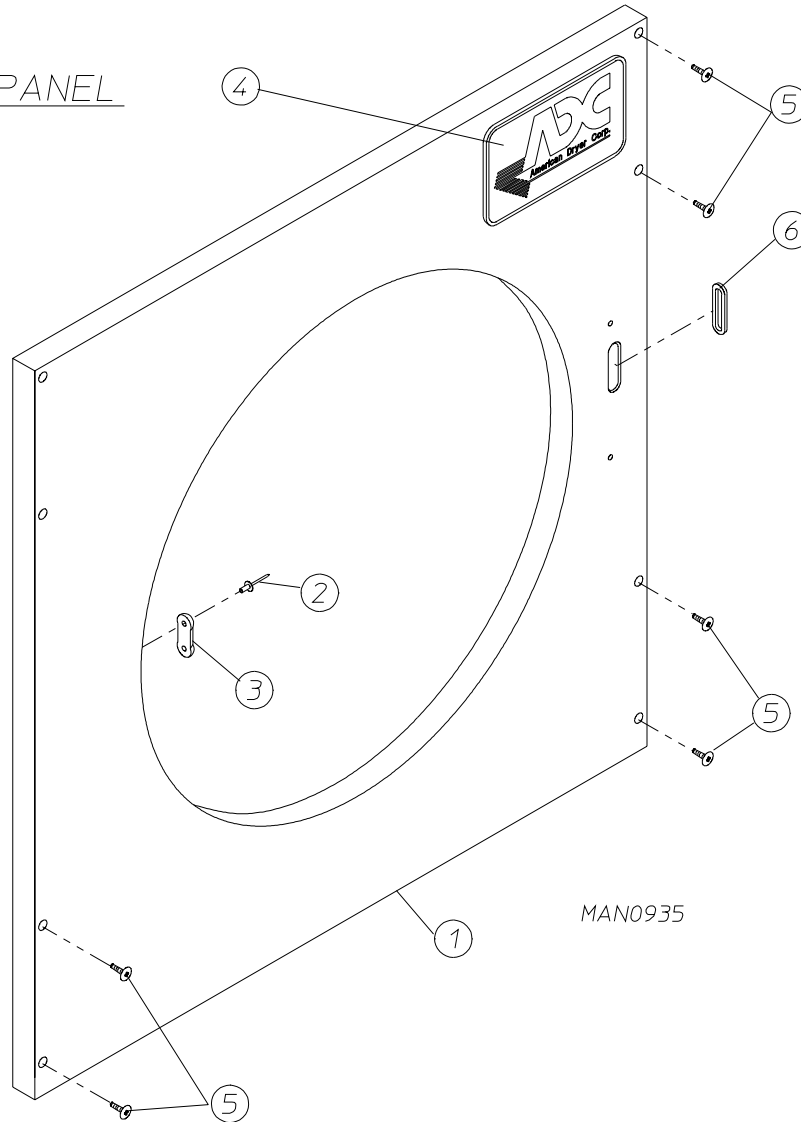
<u>Illus. No.</u>	<u>Part No.</u>	<u>Qty.</u>	<u>Description</u>
1	824439	1	AD-330/AD-320 Electric Box Complete - 120 Volt (includes illus. nos. 1 through 17, 20, 21, and 24 through 27)
	824437	1	AD-330/AD-320 Electric Box Complete - 208 Volt (includes illus. nos. 1 through 17, 20, 21, and 24 through 27)
	824438	1	AD-330/AD-320 Electric Box Complete - 240 Volt (includes illus. nos. 1 through 17, 20, 21, and 24 through 27)
2	150103	2	#8-32 x 3/4" Phillips Round Head Machine Screw
3	141403	1	Transformer - 24 VAC (gas models Only) (for electrically heated models refer to page 70)
4	151001	2	#8-32 Pal Nut
5	151000	1	#6-32 Pal Nut
6*	136008	**	3-Position Fuse Block
7	150002	1	#6-32 x 1" Round Head Machine Screw
8*	136057	3**	1/2-Amp (slo blo) Fuse ONLY
9	150002	2	#6-32 x 1" Round Head Machine Screw
10	120715	1	30-Position Terminal Block
11	151000	2	#6-32 Pal Nut
12	150103	4	#8-32 x 3/4" Phillips Round Head Machine Screw
13	132451	2	2-Pole Contactor
14	151001	4	#8-32 Pal Nut
15	824828	2	RC Network with Connectors
16	122626	1	15-Pin Socket Connector ONLY
17	122705	9	Socket Terminal ONLY
18	122704	9	Pin Terminal ONLY
19	122625	1	15-Pin Connector ONLY
	137025	1	6/15-Position Strain Relief...Not Illustrated
20	122631	1	6-Pin Socket Connector ONLY
21	122705	6	Socket Terminal ONLY
22	122704	6	Pin Terminal ONLY
23	122630	1	6-Pin Connector ONLY
	137025	1	6/15-Position Strain Relief...Not Illustrated
24	150309	1	#10-16 x 1/2" Hex Head TEK Crimptite Screw
25	121010	1	L-70 Terminal Lug
26	122626	1	15-Pin Socket Connector ONLY
27	122705	7	Socket Terminal ONLY
28	122704	7	Pin Terminal ONLY
29	122625	1	15-Pin Connector ONLY
	137025	1	6/15-Position Strain Relief...Not Illustrated
30	121494	10	Push-Mount Wire Tie
--	122801	1	Pin/Socket Extraction Tool...Not Illustrated
--	122800	1	Microprocessor (female) Pin Extraction Tool

* Check fuse rating for verification.

** For 120 volt application the quantity is 1. For 208/240 volt application the quantity is 2.

For "Plastic Door"

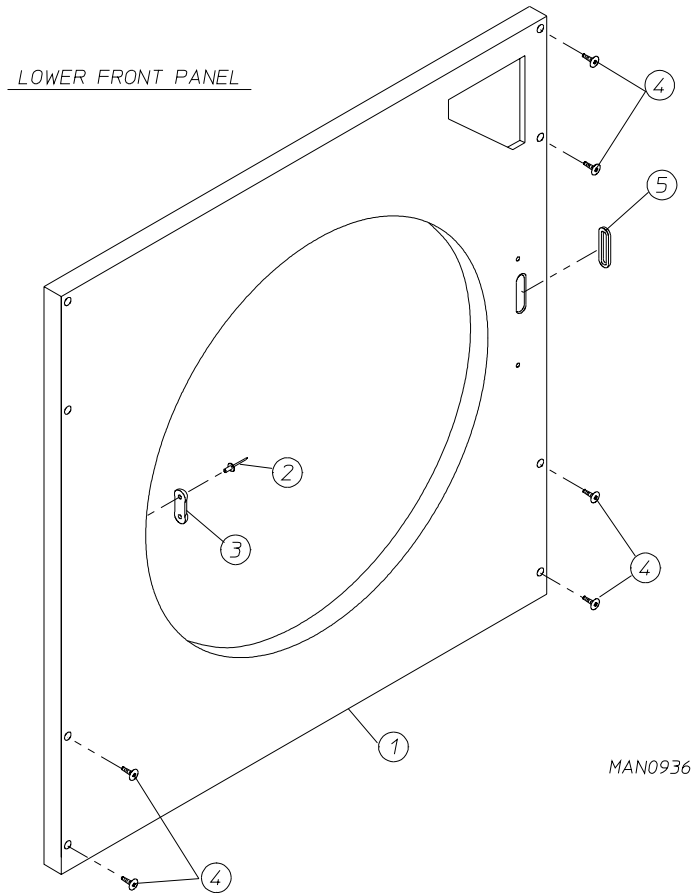
UPPER FRONT PANEL



<u>Illus. No.</u>	<u>Part No.</u>	<u>Qty.</u>	<u>Description</u>
1	800685*	1	AD-330/AD-320 Upper Front Panel Assembly Complete with Hinge (includes illus. nos. 1, 2, 3, and 6)
	800686	1	AD-330/AD-320 Stainless Steel Upper Front Panel Assembly Complete with Hinge (includes illus. nos. 1, 2, 3, and 6)
2	154215	2	1/8" Pop Rivet
3	170330	1	Friction Door Latch
4	881053	1	ADC Logo with Adhesive Tape
	870011	-	Logo Double Sided Tape Kit
5	150309	8	#10-16 x 1/2" Hex Head TEK Crimptite Screw
	150313	8	TORX Head Screw (for models mfd. as of October 2, 2000)
6	121405	1	Rubber Grommet

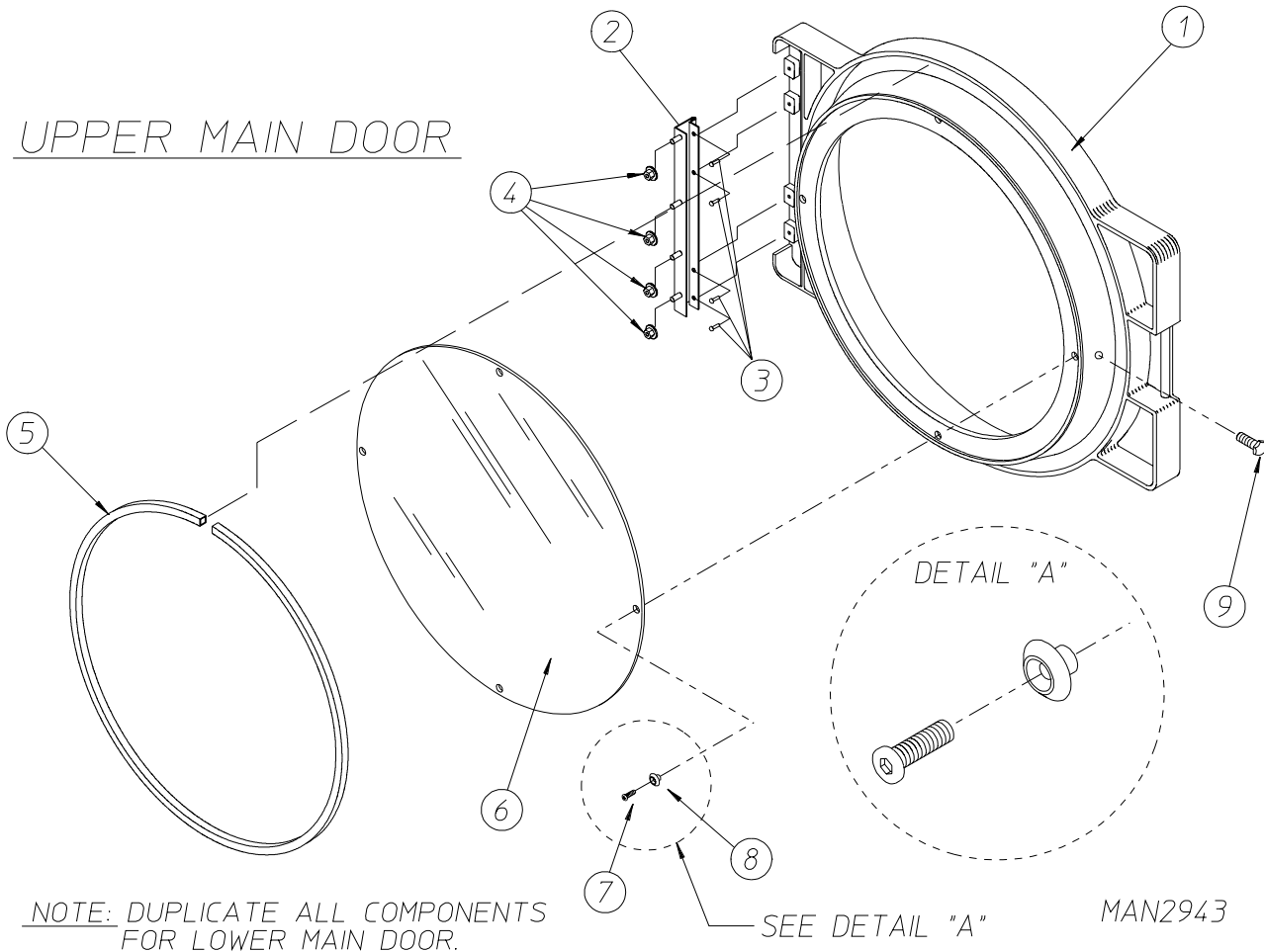
* Specify color when ordering.

For "Plastic Door"

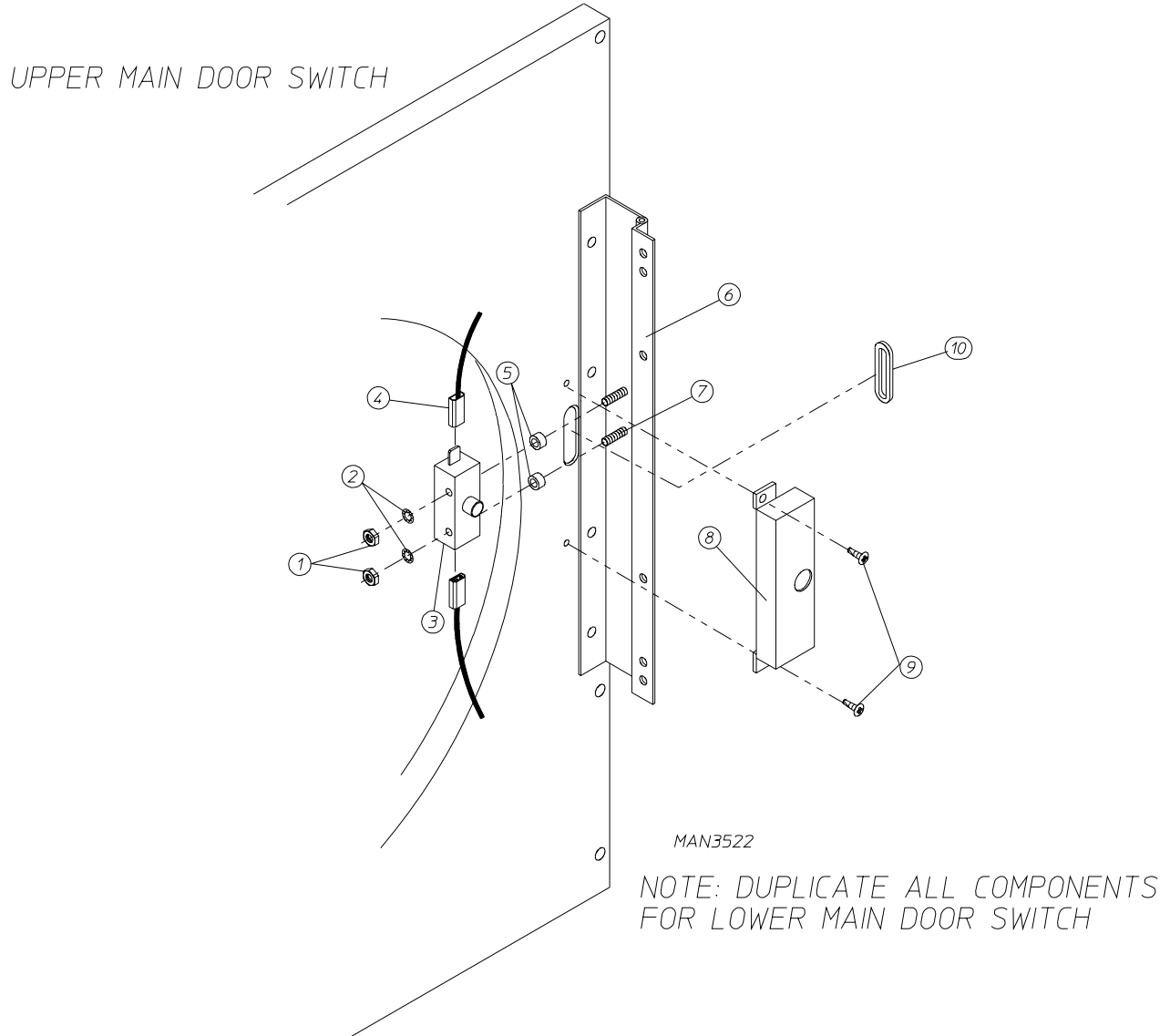


Illus. No.	Part No.	Qty.	Description
1	800690*	1	AD-330/AD-320 Lower Front Panel Assembly Complete with Hinge (includes illus. nos. 1, 2, 3, and 5) For Coin Models ONLY
	800687	1	AD-330/AD-320 Stainless Steel Lower Front Panel Assembly Complete with Hinge (includes illus. nos. 1, 2, 3, and 5) For Coin Models ONLY
	800685	1	AD-330/AD-320 Lower Front Panel Assembly Complete with Hinge (includes illus. nos. 1, 2, 3, and 5) For OPL Models ONLY
	800686	1	AD-330/AD-320 Stainless Steel Lower Front Panel Assembly Complete with Hinge (includes illus. nos. 1, 2, 3, and 5) For OPL Models ONLY
2	154215	2	1/8" Pop Rivet
3	170330	1	Friction Door Latch
4	150309	9	#10-16 x 1/2" Hex Head TEK Crimptite Screw
	150313	8	TORX Head Screw (for models mfd. as of October 2, 2000)
5	121405	1	Rubber Grommet

* Specify color when ordering.

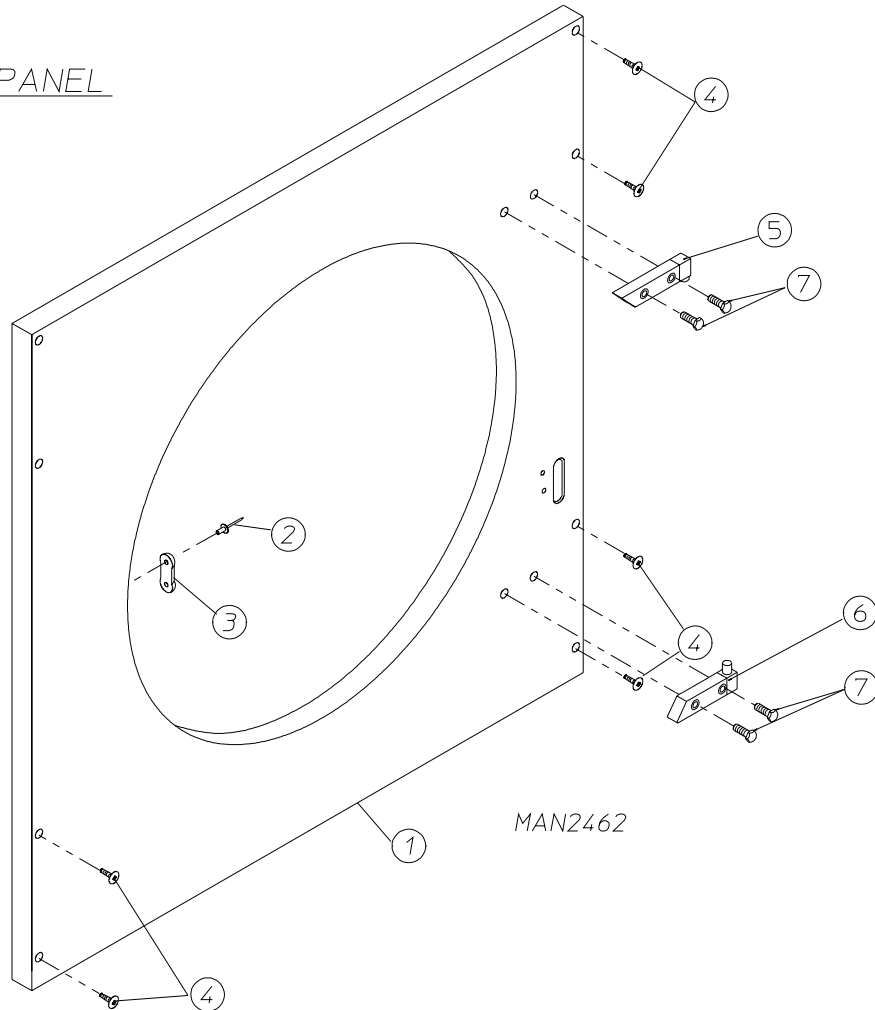


<u>Illus. No.</u>	<u>Part No.</u>	<u>Qty.</u>	<u>Description</u>
1	881422	1	Black Plastic Main Door Assembly Complete with Mechanical Fasteners (includes illus. nos. 1 and 5 through 9)
2	800448	1	12-1/2" Stainless Steel Main Door Hinge Assembly
3	150410	4	#10-24 x 3/8" Phillips Pan Head Taptite Screw
4	152014	4	1/4-20 Free Spin Wash Nut
5	102349	1	Main Door Gasket
6	102212	1	20-7/16" Door Glass with Four (4) Holes (for models mfd. as of August 23, 1996)
	102210	1	20-7/16" Door Glass (for models mfd. prior to August 23, 1996)
	170730	1	Main Door Glass Adhesive (10.3 oz. cartridge)
7	150448	4	1/2" Stainless Steel Flat Head Allen Screw
8	170319	4	Door Glass (nylon) Spacer
9	150431	1	Main Door Latch Screw (#10 x 7/16" dome hex head)



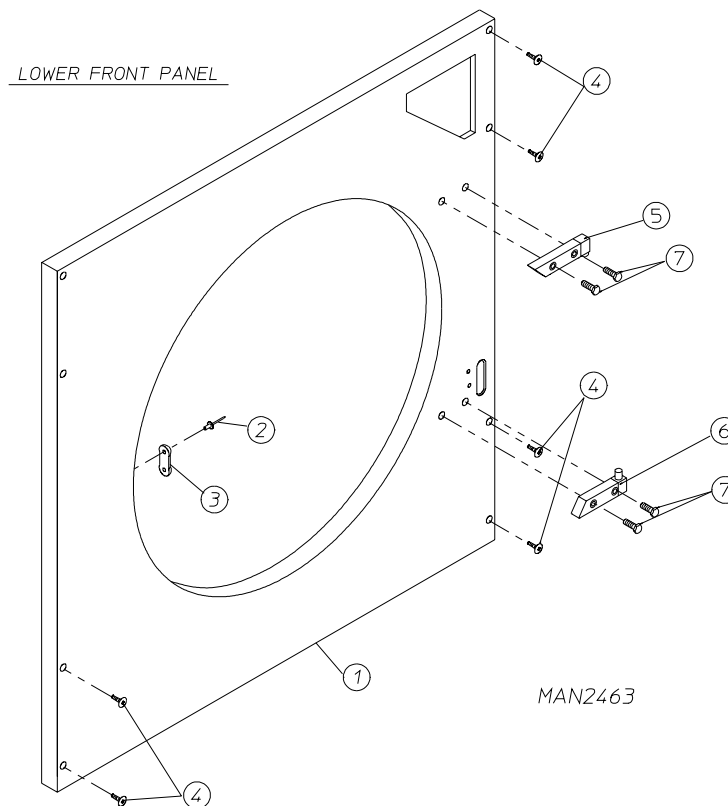
Illus. No.	Part No.	Qty.	Description
1	152013	2	#6-32 Hex Nut
2	153008	2	#6 Lock Washer
3	137005	1	Single-Pole Door Switch (SDS)
4	121028	2	Insulated Female Terminal
5	154281	2	3/8" Standard Nylon Spacers
6	800448	1	12-1/2" Stainless Steel Main Door Hinge Assembly
7	153565	2	#6 Stud
8	881246	1	Main Door Switch Housing ONLY
9	150201	2	#10-32 x 1/4" Phillips Pan Head Screw
10	121405	1	Rubber Grommet

UPPER FRONT PANEL



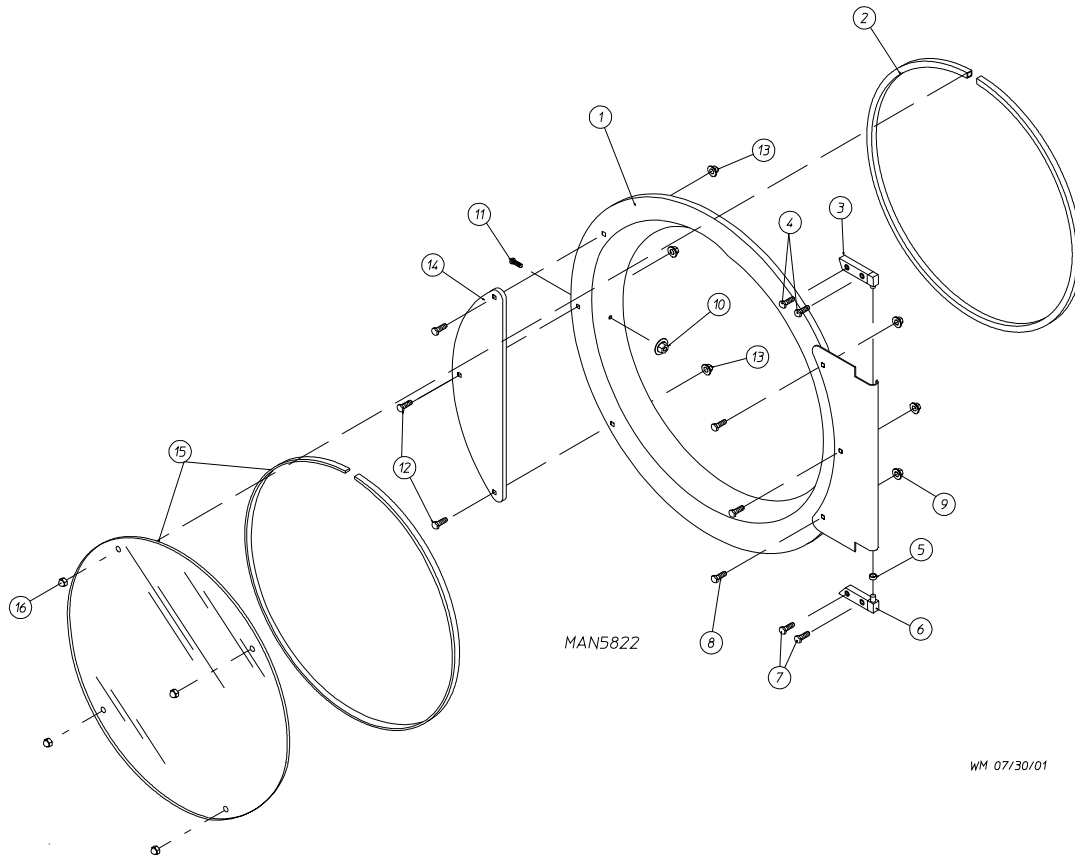
<u>Illus. No.</u>	<u>Part No.</u>	<u>Qty.</u>	<u>Description</u>
1	881278*	1	AD-330/320 Top Front Panel Assembly (cold rolled steel [CRS] door) (includes illus. nos. 1 through 3)
	881294	1	AD-330/320 Stainless Steel Top Front Panel Assembly (cold rolled steel [CRS] door) (includes illus. nos. 1 through 3)
2	154215	2	1/8" Pop Rivet
3	170330	1	Friction Door Latch
4	150309	8	#10-16 x 1/2" Phillips Hex Head TEK Crimptite Screw
	150313	8	TORX Head Screw (for models mfd. as of October 2, 2000)
5	881152	1	Black Top Hinge Block Assembly
	881208	1	Stainless Steel Top Hinge Block Assembly
6	881151	1	Black Bottom Hinge Block Assembly
	881209	1	Stainless Steel Bottom Hinge Block Assembly
7	150445	4	1/4-20 x 7/8" Black Cap Head Setscrew
	150443	4	1/4-20 x 7/8" Stainless Steel Cap Head Setscrew

* Specify color when ordering.

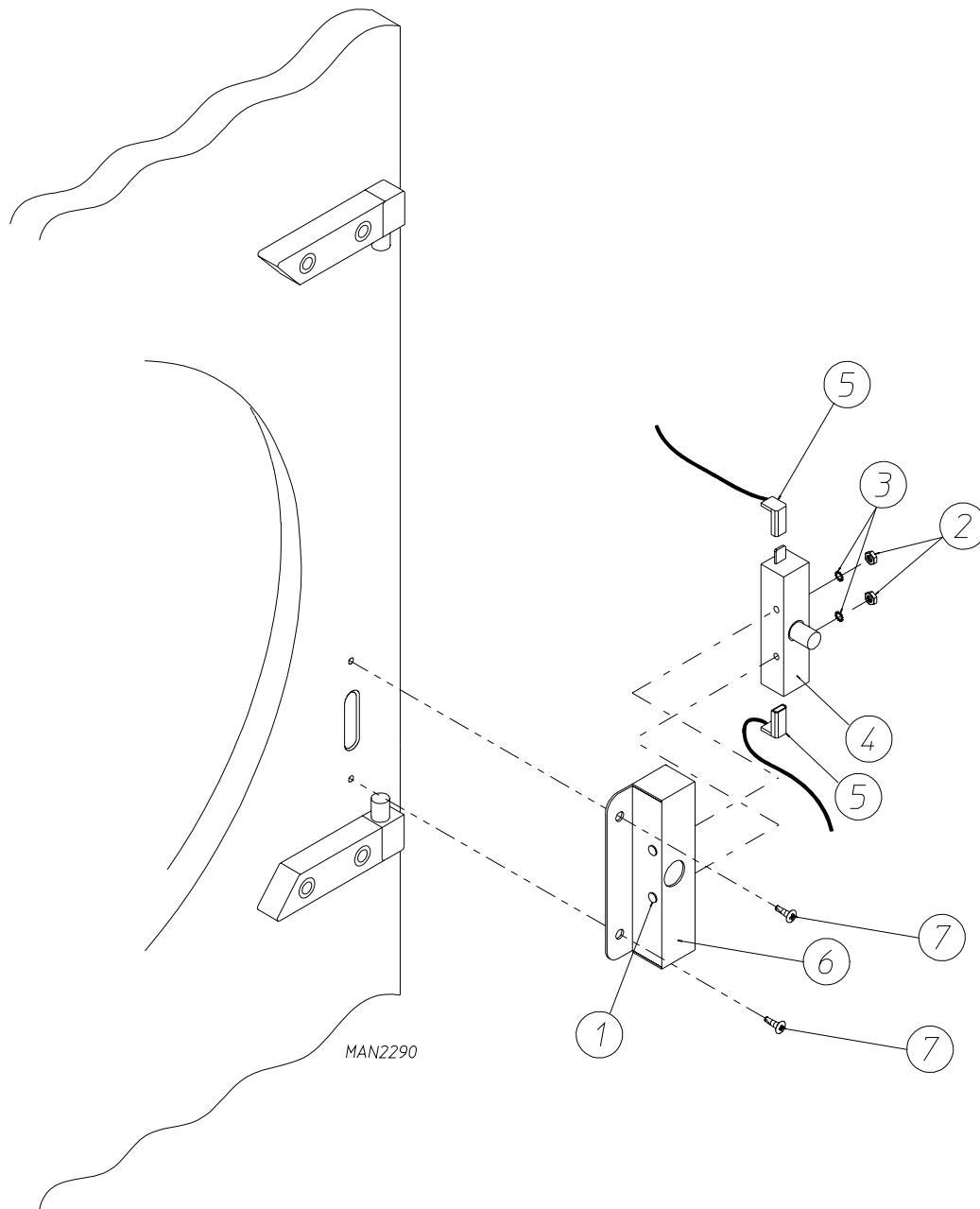


<u>Illus. No.</u>	<u>Part No.</u>	<u>Qty.</u>	<u>Description</u>
1	881277*	1	AD-330/320 Bottom Front Panel Assembly (cold rolled steel [CRS] door) For Coin Models ONLY (includes illus. nos. 1 through 3)
	881278*	1	AD-330/320 OPL Bottom Front Panel Assembly (cold rolled steel [CRS] door) (includes illus. nos. 1 through 3)
	800693	1	AD-330/320 Stainless Steel Bottom Front Panel Assembly (cold rolled steel [CRS] door) For Coin Models ONLY (includes illus. nos. 1 through 3)
	881294	1	AD-330/320 OPL Stainless Steel Bottom Front Panel (cold rolled steel [CRS] door) (includes illus. nos. 1 through 3)
2	154215	2	1/8" Pop Rivet
3	170330	1	Friction Door Latch
4	150309	8	#10-16 x 1/2" Phillips Hex Head TEK Crimptite Screw
	150313	8	TORX Head Screw (for models as of October 2, 2000)
5	881152	1	Black Top Hinge Block Assembly
	881208	1	Stainless Steel Top Hinge Block Assembly
6	881151	1	Black Bottom Hinge Block Assembly
	881209	1	Stainless Steel Bottom Hinge Block Assembly
7	150445	4	1/4-20 x 7/8" Black Cap Head Setscrew
	150443	4	1/4-20 x 7/8" Stainless Steel Cap Head Setscrew

* Specify color when ordering.

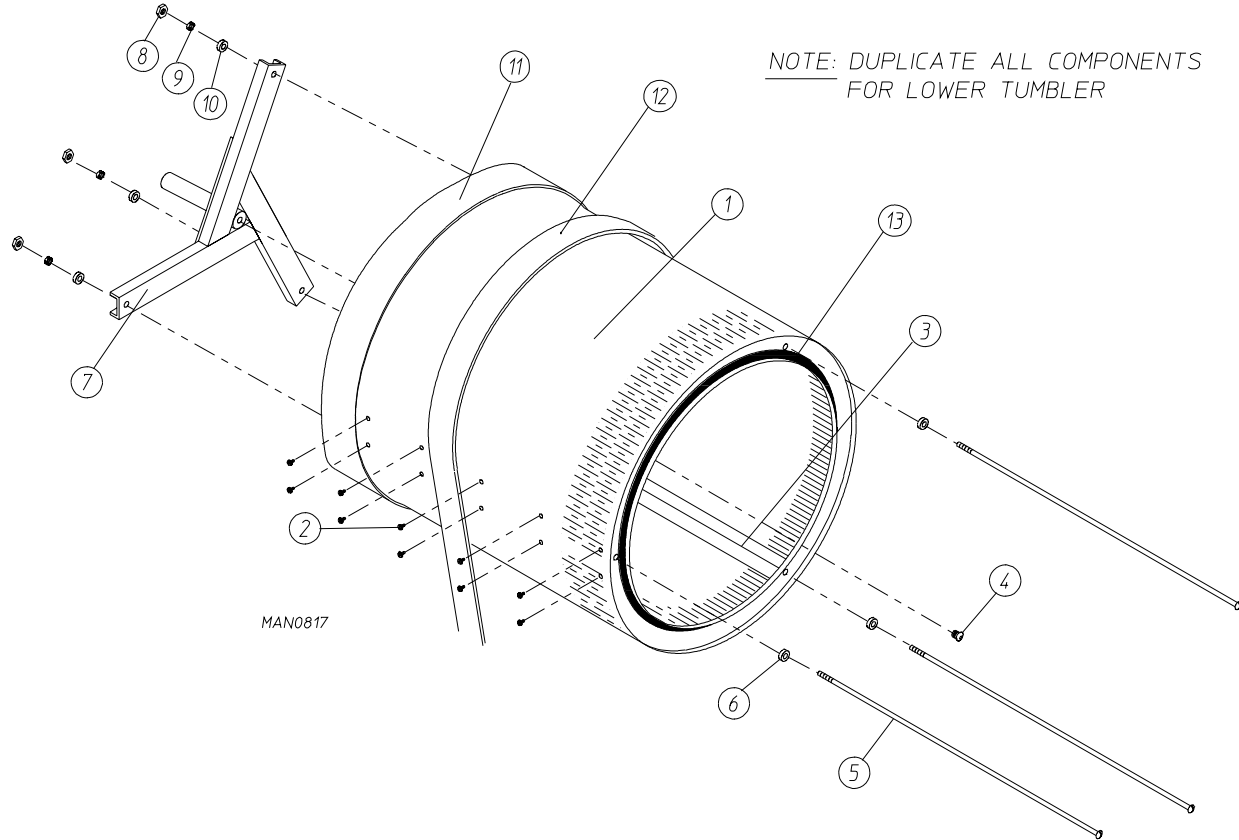


<u>Illus. No.</u>	<u>Part No.</u>	<u>Qty.</u>	<u>Description</u>
1	881150	1	Black Main Door Assembly Complete (includes illus. nos. 1, 2, and 8 through 15)
2	102354	1	Door Gasket
	170730	1	Clear Glass Adhesive (10.3 oz. cartridge)
	170731	1	Black Glass Adhesive (10.3 oz. cartridge)
3	881152	1	Black Top Hinge Block Assembly (includes illus. nos. 3 and 4)
4	150445	2	1/4-20 x 3/4" Black Cap Head Setscrew
5	153031	1	1/4" Nylon Washer
6	881151	1	Black Bottom Hinge Block Assembly (includes illus. nos. 5, 6, and 7)
7	150445	2	1/4-20 x 3/4" Black Cap Head Setscrew
	150443	2	1/4-20 x 3/4" Stainless Steel Cap Head Setscrew
8	150683	3	1/4-20 x 5/8" Black Carriage Bolt
9	152014	3	1/4-20 Free Spin Wash Nut
10	151010	1	#10-32 Black Hex Acorn Nut
11	150120	1	Door Latch Screw
12	150683	3	1/4-20 x 5/8" Black Carriage Bolt
13	152014	3	1/4-20 Free Spin Wash Nut
14	881210	1	Black Main Door Handle ONLY
15	102218	1	20-7/16" Door Glass
	170731	1	Black Glass Adhesive (10.3 oz. cartridge)
16	151013	4	#10-32 Black Nylon Acorn Nut



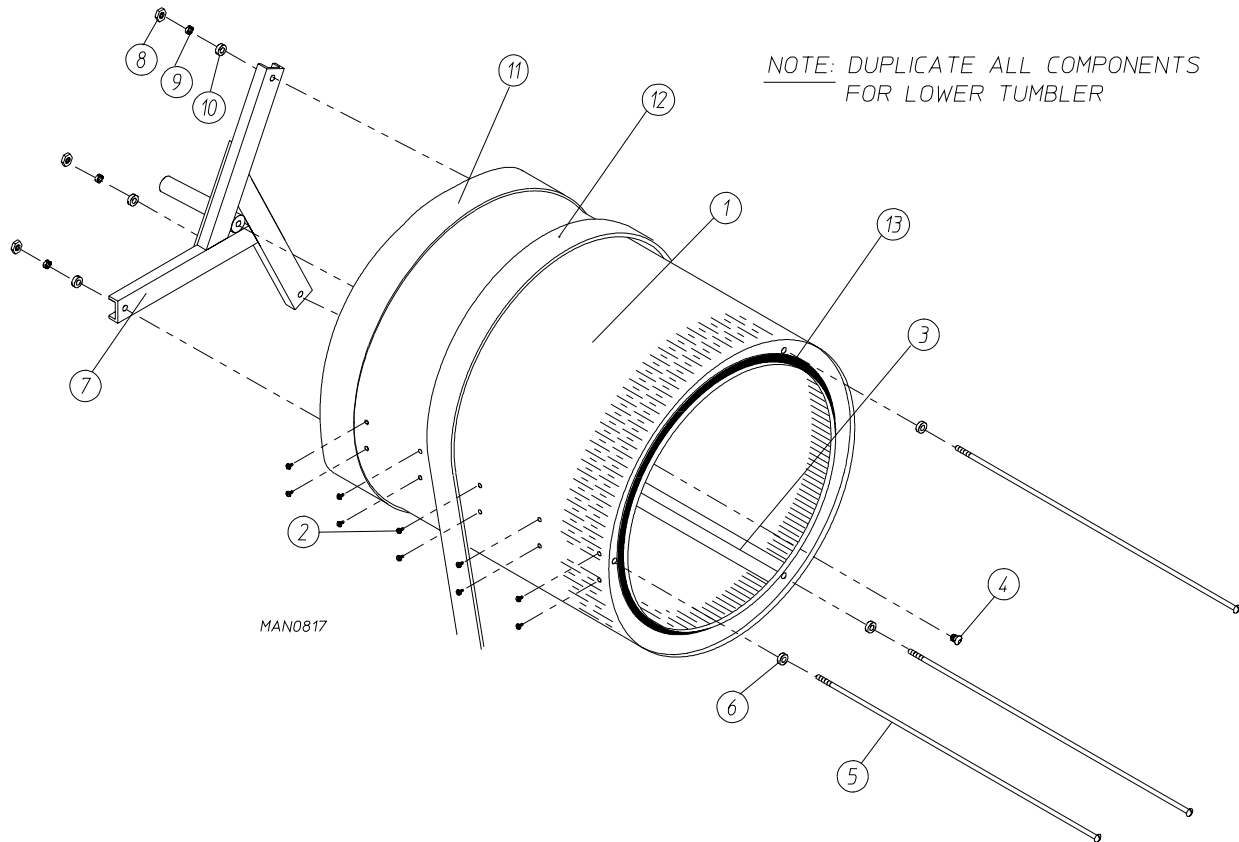
<u>Illus. No.</u>	<u>Part No.</u>	<u>Qty.</u>	<u>Description</u>
1	153566	2	#6-32 x 7/8" Clinch Stud
2	152013	2	#6-32 Hex Nut
3	153010	2	#6 Star Washer
4	137005	1	Single-Pole Door Switch (SDS)
5	122636	2	Flag Terminal
6	881211	1	Main Door Switch Housing
7	150301	2	#8-18 x 7/16" Phillips Pan Head TEK Screw

UPPER TUMBLER / SUPPORT



Illus. No.	Part No.	Qty.	Description
1	800832	1	AD-330 Basket (tumbler) and Support Assembly Complete with Felt Collar (includes illus. nos. 1 through 11 and 13)
	800892	1	AD-330 Stainless Steel Basket (tumbler) and Support Assembly Complete with Felt Collar (includes illus. nos. 1 through 11 and 13)
	800722	1	AD-330 Basket (tumbler) ONLY without Felt Collar (includes illus. nos. 1, 2, and 3)
	800842	1	AD-330 Stainless Steel Basket (tumbler) ONLY without Felt Collar (includes illus. nos. 1, 2, and 3)
	100812	1	1-3/8" E-Clip Retaining Ring...Not Illustrated
2	150309	30	#10-16 x 1/2" Hex Head TEK Crimptite Screw
3	301315	2	AD-330 Galvanized Short Basket (tumbler) Rib
	301316	1	AD-330 Galvanized Tall Basket (tumbler) Rib
	301414	2	AD-330 Stainless Steel Short Basket (tumbler) Rib
	301415	1	AD-330 Stainless Steel Tall Basket (tumbler) Rib
4	150500	1	5/16-18 x 3/8" Socket Button Head Screw
5	100915	3	3/18-16 x 31-1/8" Tie Rod (for models mfd. as of July 24, 1998)
	100902	3	5/16-18 x 31" Tie Rod (for models mfd. prior to July 24, 1998)

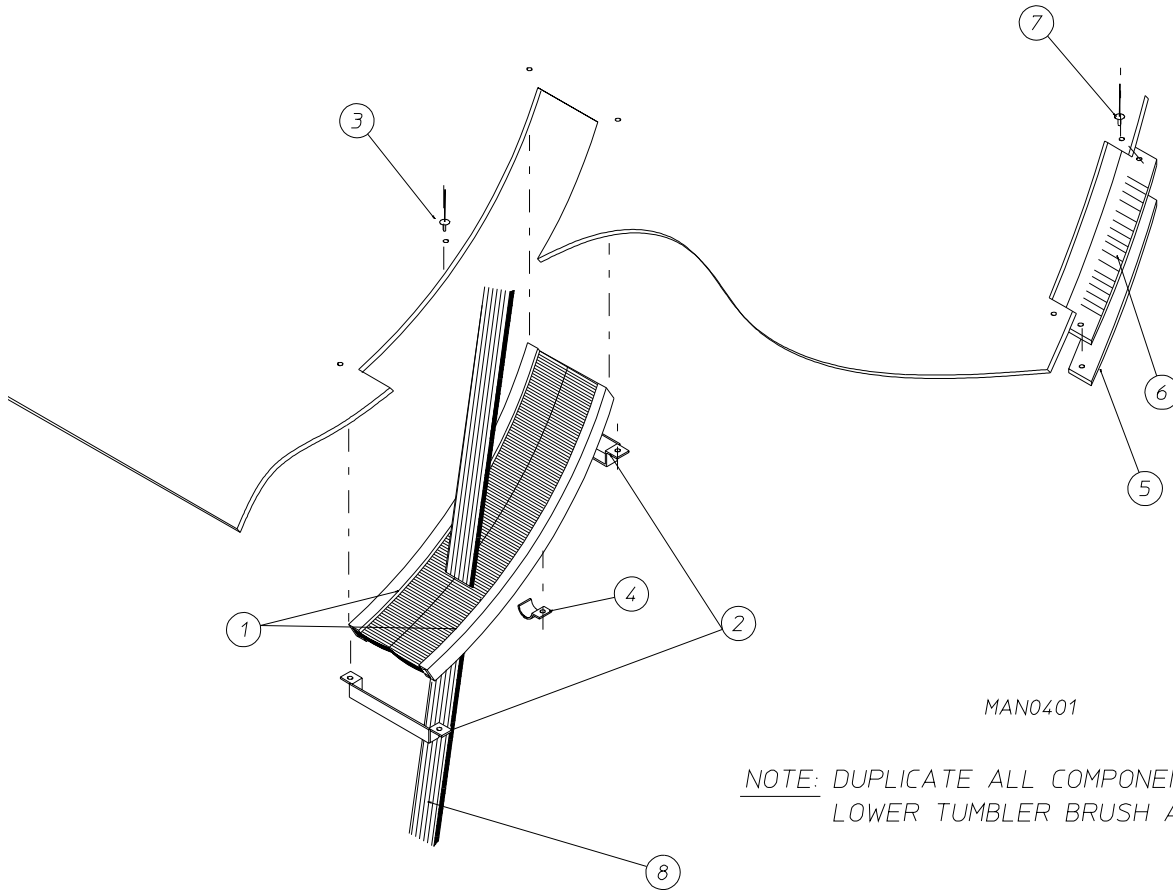
<u>Illus. No.</u>	<u>Part No.</u>	<u>Qty.</u>	<u>Description</u>
6	153004	3	3/8" x 1" Flat Washer (for models mfd. as of July 24, 1998)
	153001	3	5/16" Flat Washer (for models mfd. prior to July 24, 1998)
7	850061	1	AD-330 Basket (tumbler) Support ONLY
8	152005	3	3/8-16 Hex Nut (for models mfd. as of July 24, 1998)
	152004	3	5/16-18 Hex Nut (for models mfd. prior to July 24, 1998)
9	153005	3	3/8" Lock Washer (for models mfd. as of July 24, 1998)
	153002	3	5/16" Lock Washer (for models mfd. prior to July 24, 1998)
10	153004	3	3/8" x 1" Flat Washer (for models mfd. as of July 24, 1998)
	153001	3	5/16" Flat Washer (for models mfd. prior to July 24, 1998)
11	116003	1	Felt Collar
	401010	1	#847 Adhesive for Felt Collar (5 oz. tube)
12	100173	1	12-Rib 95" Belt
13	115992	1	Felt Collar
	401010	1	#847 Adhesive for Felt Collar (5 oz. tube)

UPPER TUMBLER / SUPPORT

<u>Illus. No.</u>	<u>Part No.</u>	<u>Qty.</u>	<u>Description</u>
1	881573	1	AD-320 Basket (tumbler) and Support Assembly Complete with Felt Collar (includes illus. nos. 1 through 11 and 13)
	881575	1	AD-320 Stainless Steel Basket (tumbler) and Support Assembly Complete with Felt Collar (includes illus. nos. 1 through 11 and 13)
	881572	1	AD-320 Basket (tumbler) ONLY without Felt Collar (includes illus. nos. 1, 2, and 3)
	881574	1	AD-320 Stainless Steel Basket (tumbler) ONLY without Felt Collar (includes illus. nos. 1, 2, and 3)
2	150309	30	#10-16 x 1/2" Hex Head TEK Crimptite Screw
3	301318	2	AD-320 Galvanized Short Basket (tumbler) Rib
	301317	1	AD-320 Galvanized Tall Basket (tumbler) Rib
	301418	2	AD-320 Stainless Steel Short Basket (tumbler) Rib
	301417	1	AD-320 Stainless Steel Tall Basket (tumbler) Rib
4	150500	1	5/16-18 x 3/8" Socket Button Head Screw
5	100916	3	3/8-16 x 25" Tie Rod (for models mfd. as of August 17, 1998)
	100907	3	5/16-18 x 25" Tie Rod (for models mfd. prior to August 17, 1998)

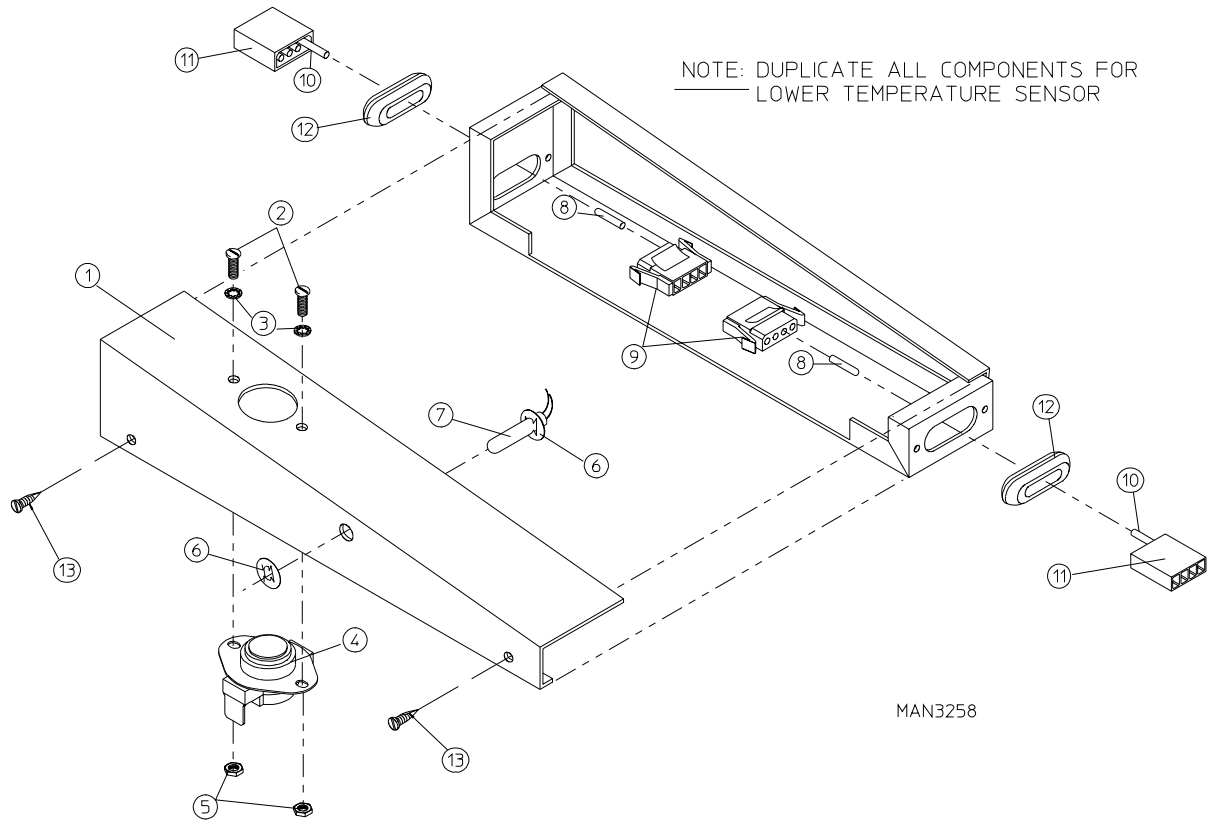
<u>Illus. No.</u>	<u>Part No.</u>	<u>Qty.</u>	<u>Description</u>
6	153003	3	3/8" x 1-1/2" Fender Washer (for models mfd. as of August 17, 1998)
	153001	3	5/16" Flat Washer (for models mfd. prior to August 17, 1998)
7	850067	1	AD-320 Basket (tumbler) Support ONLY
	100812	1	1-3/8" E-Clip Retaining Ring...Not Illustrated
8	152005	3	3/8-16 Hex Nut (for models mfd. as of August 17, 1998)
	152004	3	5/16-18 Hex Nut (for models mfd. prior to August 17, 1998)
9	153005	3	3/8" Lock Washer (for models mfd. as of August 17, 1998)
	153002	3	5/16" Lock Washer (for models mfd. prior to August 17, 1998)
10	153004	3	3/8" x 1" Flat Washer (for models mfd. as of August 17, 1998)
	153001	3	5/16" Flat Washer (for models mfd. prior to August 17, 1998)
11	115999	1	Felt Collar
	401010	1	#847 Adhesive for Felt Collar (5 oz. tube)
12	100173	1	12-Rib 95" Belt
13	115992	1	Felt Collar
	401010	1	#847 Adhesive for Felt Collar (5 oz. tube)

UPPER TUMBLER BRUSH

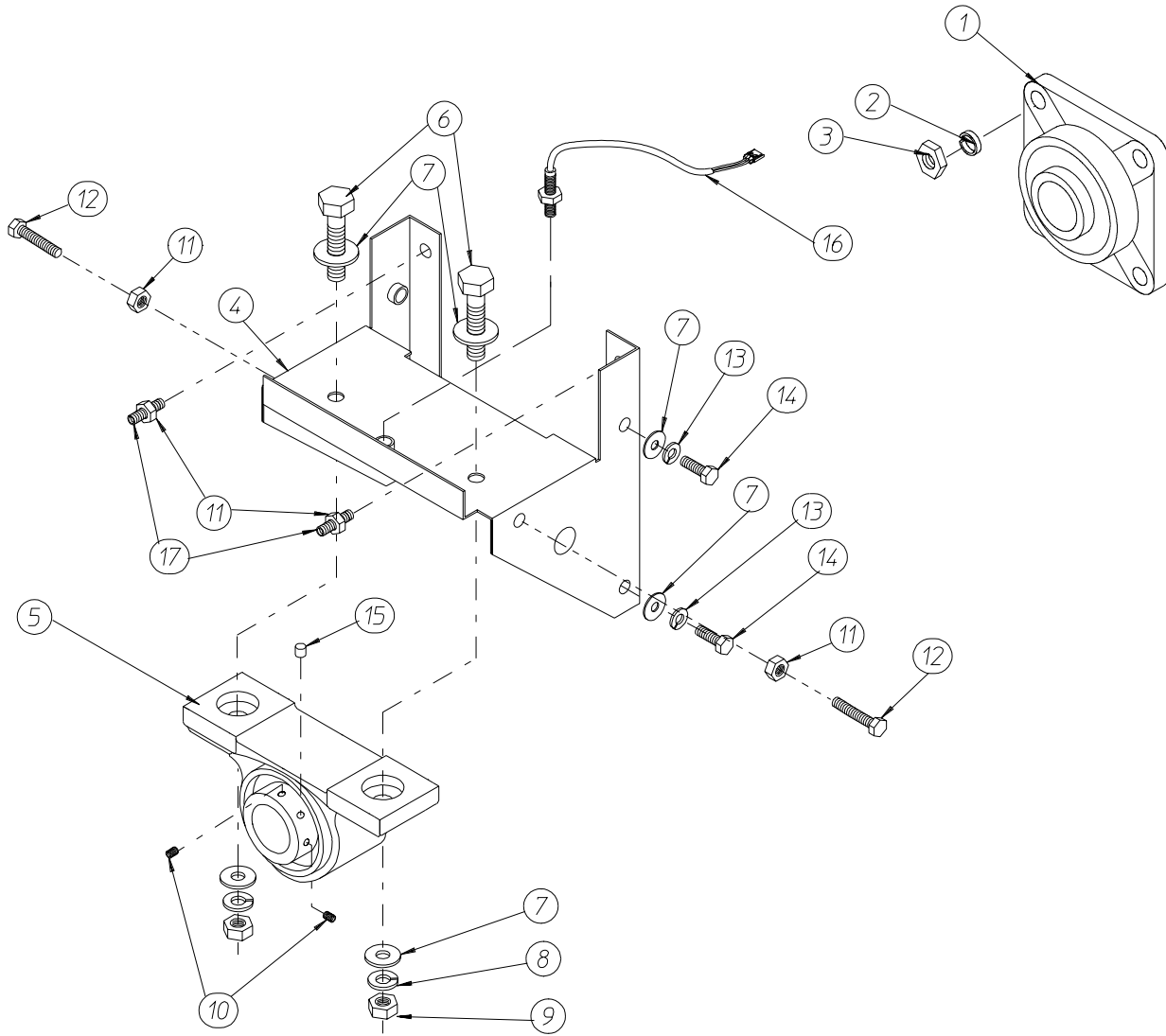


<u>Illus. No.</u>	<u>Part No.</u>	<u>Qty.</u>	<u>Description</u>
1	170198	2	AD-330/AD-320 Drive Belt Sealing Brush (for models mfd. as of December 6, 1993)
	170195	2	AD-330/AD-320 Drive Belt Sealing Brush (for models mfd. prior to December 6, 1993)
2	317656	2	AD-330/AD-320 Sealing Brush Clip End (for models mfd. as of December 6, 1993)
	317652	2	AD-330/AD-320 Sealing Brush Clip End (for models mfd. prior to December 6, 1993)
3	154210	6	5/32" x 3/16" Pop Rivet
4	120117	2	3/8" EMT Hanger
5	317651	1	AD-330/AD-320 Wrapper Gasket Strip
6	102325	1	8-1/2" x 1-1/2" x 1/8" Wrapper Channel Gasket
7	154210	2	5/32" x 3/16" Pop Rivet
8	100173	1	12-Rib 95" Belt

UPPER TEMPERATURE SENSOR



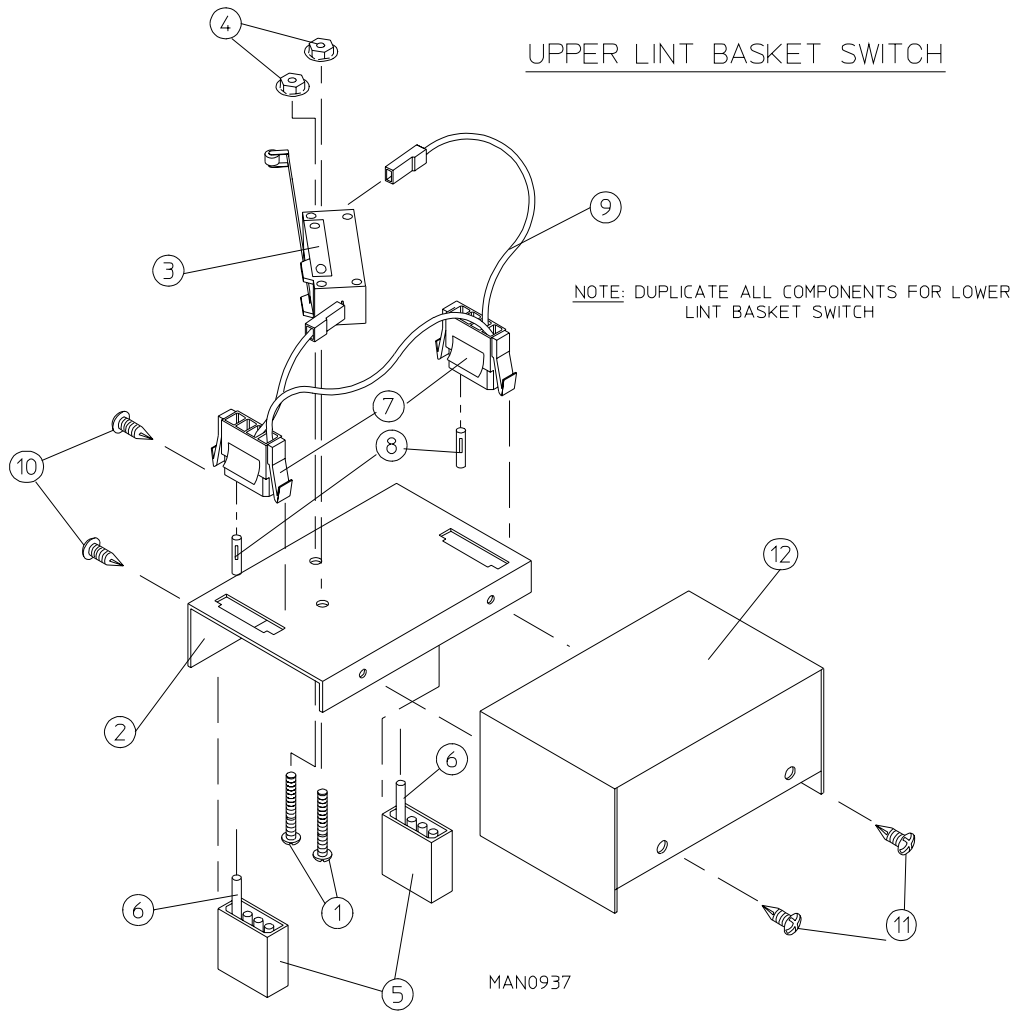
Illus. No.	Part No.	Qty.	Description
1	801409	1	AD-330/AD-320 Temperature Sensor Bracket Assembly Complete (includes illus. nos. 1 through 9, 12, and 13)
2	150000	2	#6-32 x 1/4" Round Head Machine Screw
3	153010	2	#6 Star Washer
4	130106	1	170° Large Thermostat
5	152013	2	#6-32 Hex Nut
6	154007	2	1/4" Tinnerman Push On Fastener
7	880111	1	Dual Microprocessor Controller (DMC) 1/4" Temperature Sensor Probe Assembly (includes illus. nos. 6 through 9)
8	122701	8	Socket Terminal ONLY
9	122605	2	4-Pin Socket Connector ONLY
10	122700	8	Pin Terminal ONLY
11	122604	2	4-Pin Connector ONLY
	122801	1	Pin/Socket Extraction Tool...Not Illustrated
12	121405	2	Rubber Grommet
13	150301	2	#8-18 x 7/16" Phillips Pan Head TEK Screw (for models mfd. as of February 11, 1997)
	154060	2	Tinnerman "S" Clip (for models mfd. prior to February 11, 1997)



MAN6036

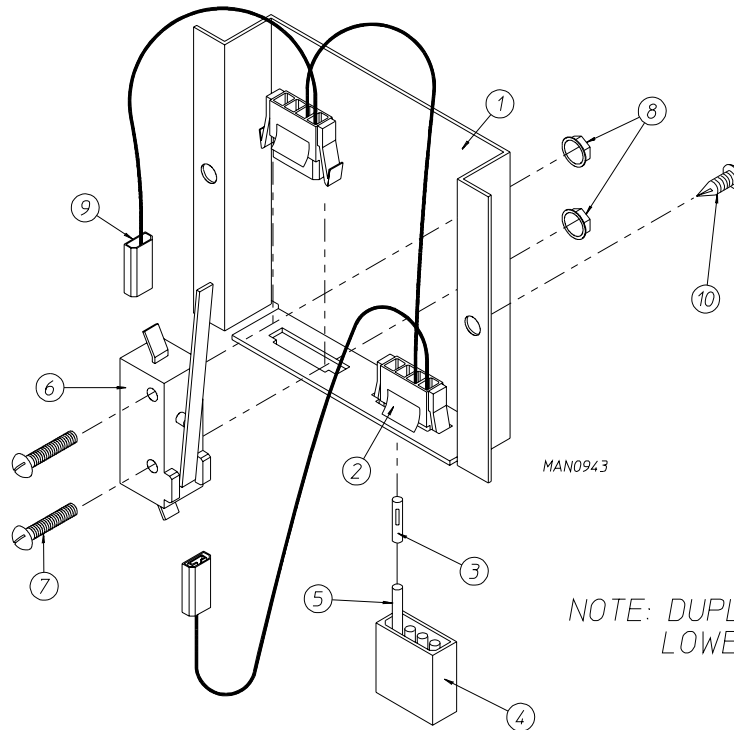
<u>Illus. No.</u>	<u>Part No.</u>	<u>Qty.</u>	<u>Description</u>
1	880203	1	1-3/8" Flange Bearing ONLY
2	153005	4	3/8" Lock Washer
3	152005	4	3/8-16 Hex Nut
4	882544	1	Pillow Block Bearing Assembly Complete (includes illus. nos. 4 through 14 and 17)
	882545	1	Bearing Assembly Complete (includes illus. nos. 4 through 17) For Models Mfd. with Rotational Sensor
	882542	1	Bearing Support ONLY
	882543	1	Bearing Support ONLY (for models mfd. with rotational sensor)
5	880202	1	1-3/8" Pillow Block Bearing ONLY
	880779*	1	1-3/8" Pillow Block Bearing (for models mfd. with rotational sensor)
6	150601	2	3/8-16 x 2" Hex Bolt
7	153004	8	3/8" Flat Washer
8	153005	2	3/8" Lock Washer
9	152005	2	3/8-16 Hex Nut
10	154326	2	5/16-24 x 3/8" Setscrew (black)
11	152004	4	5/16-18 Hex Nut
12	150621	2	5/16-18 x 1-1/2" Tap Bolt
13	153002	4	5/16" Lock Washer
14	150501	4	5/16-18 x 3/4" Tap Bolt
15	102120	1	Sintered 8 Magnet
16	824807*	1	Rotational Sensor Assembly (for models mfd. with rotational sensor)
17	150610	2	5/16-18 x 1-1/2" Allen Setscrew

* The rotational sensor is standard for models manufactured as of January 2, 2002. For models manufactured prior to January 2, 2002 the rotational sensor is optional.



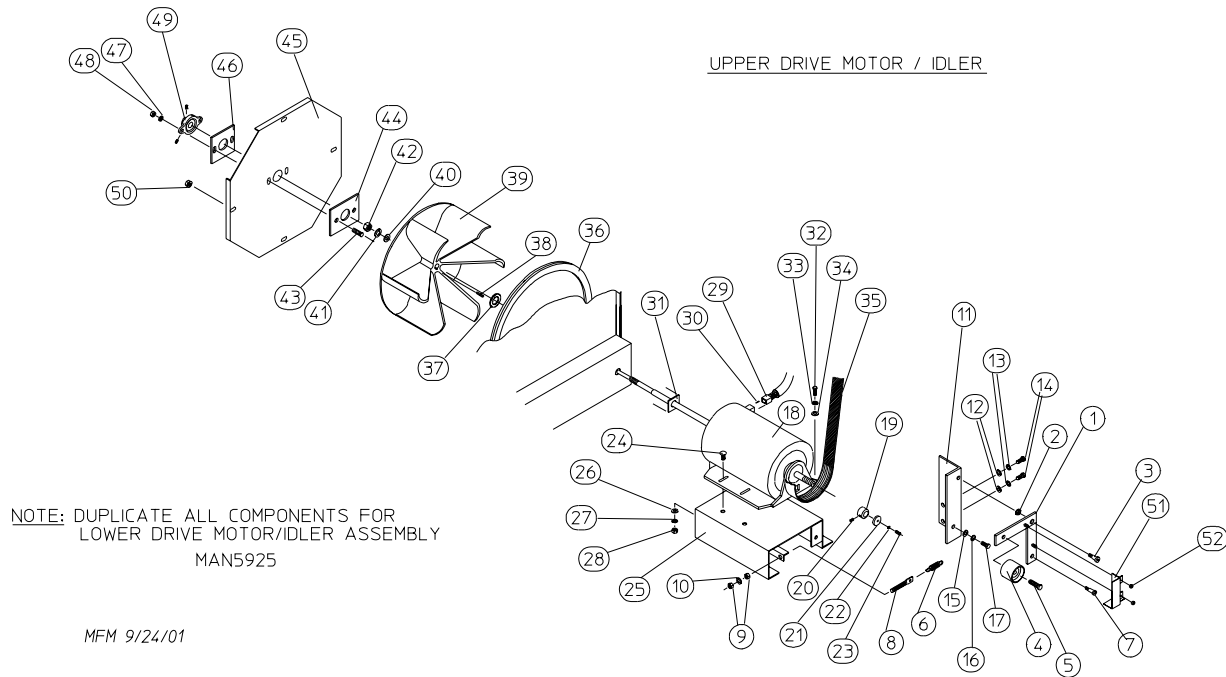
<u>Illus. No.</u>	<u>Part No.</u>	<u>Qty.</u>	<u>Description</u>
1	150006	2	#6-32 x 7/8" Round Head Machine Screw
2	802816	1	AD-330 Lint Drawer (basket) Switch Assembly Complete (includes illus. nos. 1 through 4 and 7 through 9)
	307204	1	AD-330 Lint Switch Mounting Bracket ONLY
3	136990	1	AD-330 Lint Drawer (basket) Safety Switch ONLY
4	152013	2	#6-32 Hex Nut
5	122604	2	4-Pin Connector ONLY
6	122700	4	Pin Terminal ONLY
7	122605	2	4-Pin Socket Connector ONLY
8	122701	4	Socket Terminal ONLY
	122801	1	Pin/Socket Extraction Tool...Not Illustrated
9	824848	1	AD-330 Lint Switch Bottom Harness (includes illus. nos. 7 through 9)
	824849	1	AD-330 Lint Switch Top Harness (includes illus. nos. 7 through 9)
10	150309	2	#10-16 x 1/2" Hex Head TEK Crimptite Screw
11	150309	2	#10-16 x 1/2" Hex Head TEK Crimptite Screw
12	307203	1	AD-330 Lint Switch Cover ONLY

UPPER LINT BASKET SWITCH



NOTE: DUPLICATE ALL COMPONENTS FOR LOWER LINT BASKET SWITCH

<u>Illus. No.</u>	<u>Part No.</u>	<u>Qty.</u>	<u>Description</u>
1	304039	1	AD-320 Lint Door Switch Bracket/Cover
2	122605	2	4-Pin Socket Connector ONLY
3	122701	4	Socket Terminal ONLY
4	122604	2	4-Pin Connector ONLY
5	122700	4	Pin Terminal ONLY
6	136992	1	AD-320 Lint Drawer (basket) Safety Switch ONLY
7	150006	2	#6-32 x 7/8" Round Head Machine Screw
8	152013	2	#6-32 Hex Nut
9	824848	1	AD-320 Lint Switch Bottom Harness
	824849	1	AD-320 Lint Switch Top Harness
10	150309	2	#10-16 x 1/2" Hex Head TEK Crimptite Screw
---	122801	1	Pin/Socket Extraction Tool...Not Illustrated

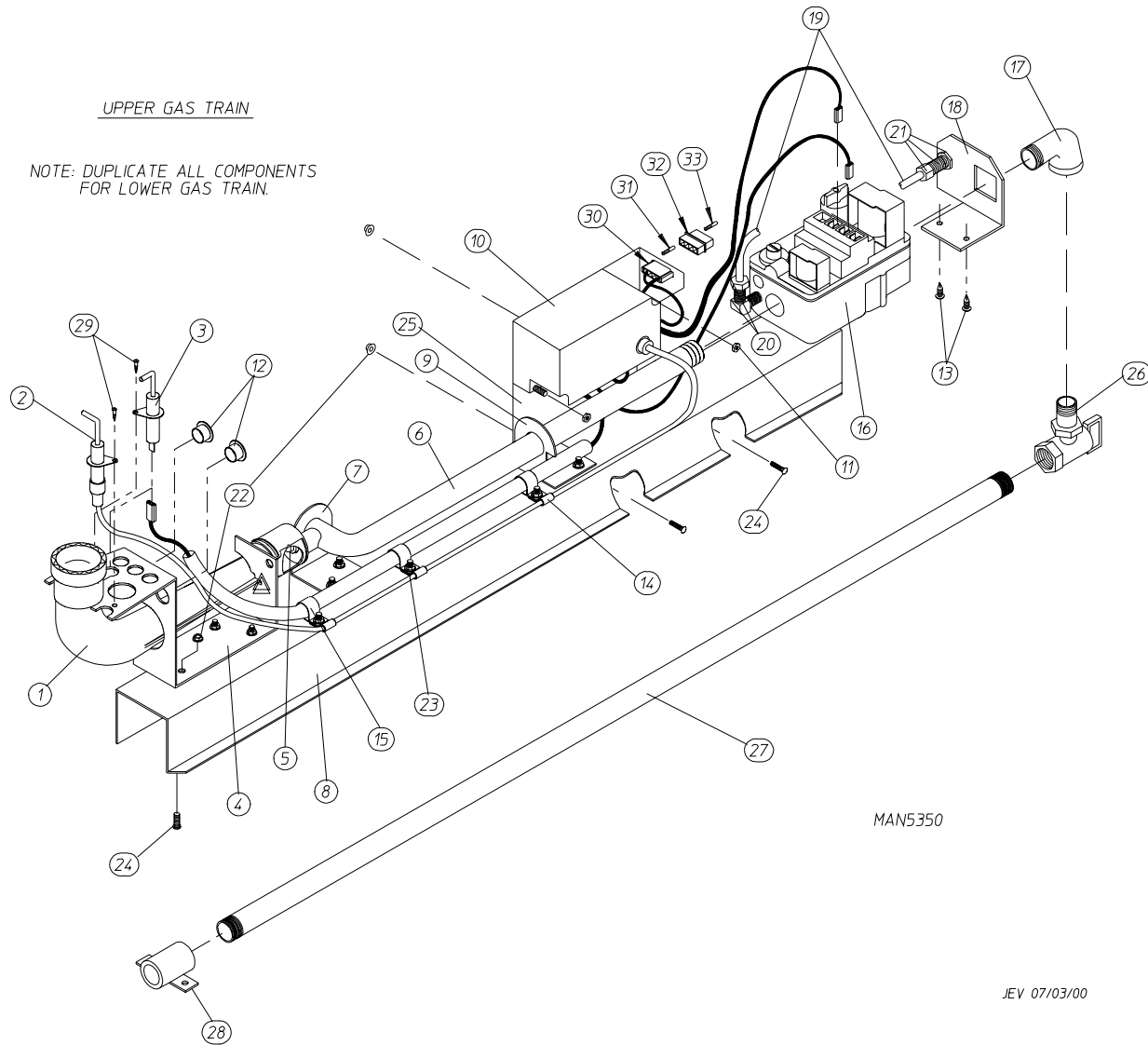


<u>Illus. No.</u>	<u>Part No.</u>	<u>Qty.</u>	<u>Description</u>
1	882910	1	AD-330/AD-320 Upper and Lower Idler Arm ONLY
	801019	1	AD-330/AD-320 Upper and Lower Idler Arm Assembly with Hardware (includes illus. nos. 1 through 10)
2	121350	1	13/32 x 3/8" I.D. Bronze
3	154266	1	3/8" x 3/8" Shoulder Screw (for models mfd. as of March 25, 2002)
	154277	1	3/8" x 1/2" Shoulder Bolt (for models mfd. prior to March 25, 2002)
4	100250	1	AD-330/AD-320 Back Side Idler Assembly
5	150600	1	3/8-16 x 1-1/2" Hex Head Machine Bolt
6	157010	1	1-7/8" Extension Spring
7	154276	1	1/4-20 x 5/8" Shoulder Bolt
8	154275	1	3/8-16 x 3-3/8" Spade Bolt
9	152005	2	3/8-16 Hex Nut
10	153005	1	3/8" Lock Washer
11	850135	1	AD-330/AD-320 Idler Angle (for models mfd. as of March 25, 2002)
	883308	1	AD-330/AD-320 Idler Angle (for models mfd. prior to March 25, 2002) (includes illus. nos. 3 and 11)
12	153001	2	5/16" Flat Washer
13	153002	2	5/16" Lock Washer
14	150501	2	5/16-18 x 3/4" Hex Head Machine Bolt
15	153001	2	5/16" Flat Washer
16	153002	2	5/16" Lock Washer
17	150501	2	5/16-18 x 3/4" Hex Head Machine Bolt
18	100064	1	1/3 HP 120/230v 1ø 60 Hz Totally Enclosed, Non-Vent (T.E.N.V.) Motor with Plug
	100049	1	1/3 HP 100-230v 1ø 50 Hz Totally Enclosed, Non-Vent (T.E.N.V.) Motor with Plug
19	101097	1	AD-330/AD-320 Rear Motor Shaft Bushing (for 60 Hz models)
	101099	1	AD-330/AD-320 Rear Motor Shaft Bushing (for 50 Hz models)

Totally Enclosed, Non-Vent (T.E.N.V.) Motor/Idler Assemblies (continued) 51

<u>Illus. No.</u>	<u>Part No.</u>	<u>Qty.</u>	<u>Description</u>
20	154327	1	1/4-20 x 3/8" Socket Setscrew
21	101096	1	AD-330/AD-320 Front Motor Shaft Bushing (50/60 Hz)
22	153024	1	#10 Lock Washer
23	150216	1	#10-32 x 3/4" Left Hand Phillips Round Head Screw
24	154279	4	5/16-18 x 3/4" Carriage Bolt
25	800917	1	AD-330/AD-320 Motor Mount ONLY
	803918	1	1/3 HP 120/230v 1ø 60 Hz Totally Enclosed, Non-Vent (T.E.N.V.) Motor Mount Assembly Complete (includes illus. nos. 11 through 28 and 31)
	803926	1	1/3 HP 120/230v 1ø 50 Hz Totally Enclosed, Non-Vent (T.E.N.V.) Motor Mount Assembly Complete (includes illus. nos. 11 through 28 and 31)
	801053	1	1/3 HP 200/230v 1ø 50 Hz Motor Mount Assembly (includes illus. nos. 11 through 28 and 31) For Models Mfd. as of October 24, 2000
26	153001	4	5/16" Flat Washer
27	153002	4	5/16" Lock Washer
28	152004	4	5/16-18 Hex Nut
29	137030	1	8-Pin Housing
30	122701	8	Socket Terminal ONLY
	122801	1	Pin/Socket Extraction Tool...Not Illustrated
31	116010	1	AD-330/AD-320 Felt Motor Seal ONLY
32	150501	4	5/16-18 x 3/4" Hex Head Machine Bolt
33	153002	4	5/16" Lock Washer
34	153001	4	5/16" Flat Washer
35	100173	1	12-Rib 95" Belt
36	117604	3	Neoprene Sponge Tape (sold by the foot) For Models Mfd. as of March 6, 1998
	117600	3	Noise Suppressor Tape (sold by the foot) For Models Mfd. prior to March 6, 1998
37	153054	1	AD-330/AD-320 Motor Washer (for 50 Hz models)
38	100705	1	3/16" x 3/16" x 1-3/8" Key
39	100608	1	12-1/2" Impellor with 3/4" Bore (for 60 Hz models)
	100620	1	12-1/2" Impellor with 5/8" Bore (for 50 Hz models)
40	153051	1	3/4" Flat Washer (for 60 Hz models)
	153054	1	AD-330/AD-320 Motor Washer (for 50 Hz models)
41	153040	1	3/4" Lock Washer (for 60 Hz models)
	153015	1	5/8" Lock Washer (for 50 Hz models)
42	152025	1	3/4-16 Jam Nut (for 60 Hz models)
	152030	1	5/8-18 Jam Nut (for 50 Hz models)
43	153525	2	1/4-20 x 1" Self Clinching Stud
44	850132	1	AD-330/AD-320 Bearing Backup Plate (includes illus. nos. 43 and 44)
	852104	1	AD-330/AD-320 Bearing Backup Plate Assembly (includes illus. nos. 43, 44, and 46 through 48)
45	880885	1	AD-330/AD-320 Impellor Cover
46	116011	1	AD-330/AD-320 Bearing Felt Seal
47	153007	2	1/4" Lock Washer
48	152002	2	1/4-20 Hex Nut
49	880225	1	1/2" Flange Bearing
50	152014	4	1/4-20 Free Spin Wash Nut
51	314423	1	AD-330/AD-320 Belt Guard
52	150212	2	#10-32 x 5/16" Phillips Pan Head Stainless Steel Screw

For Models Mfd. as of April 17, 2000 with Johnson Controls Direct Spark Ignition (DSI) Module



Illus. No.	Part No.	Qty.	Description
1	141130	1	Direct Spark Ignition (DSI) Up-Shot Burner Tube ONLY
2	128917	1	Spark Ignitor with 36" Wire
3	128918	1	Flame Sensor
4	318009	1	Burner Tube Bracket (PSE)
5	140856**	1	#23 Burner Orifice (natural gas) ONLY
	140810**	1	#42 Burner Orifice (liquid propane [L.P.] gas) ONLY
6	141225	1	Single-Port Manifold
7	318700	1	Pipe Bracket
8	882721*	1	Direct Spark Ignition (DSI) Natural Gas Train Assembly Complete (includes illus. nos. 1 through 4, 6 through 25, and 29 through 31)
	882722*	1	Direct Spark Ignition (DSI) Liquid Propane (L.P.) Gas Train Assembly Complete (includes illus. nos. 1 through 4, 6 through 25, and 29 through 31)
	319522	1	Gas Valve Train Slide ONLY

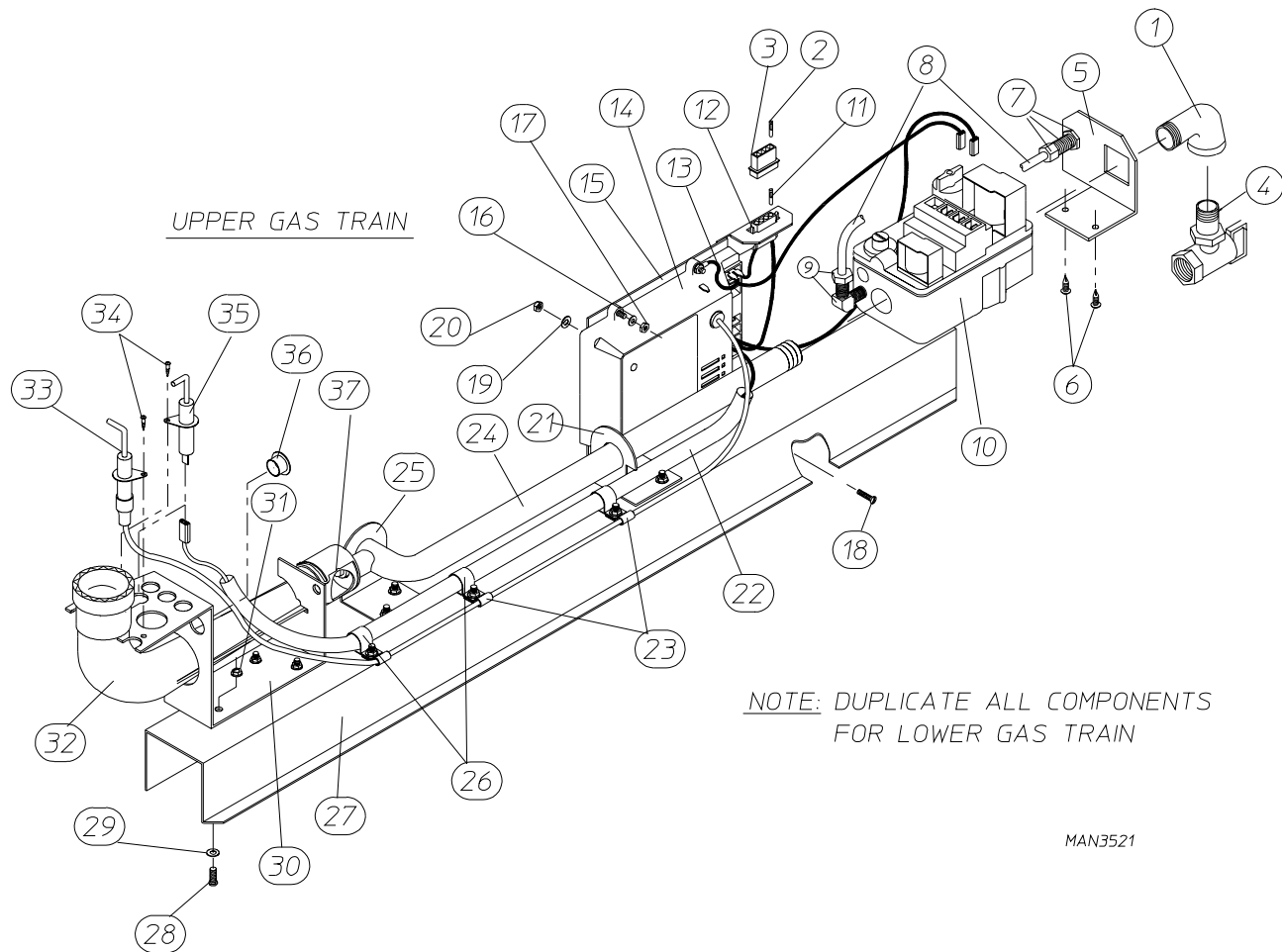
For Models Mfd. as of April 17, 2000 with Johnson Controls Direct Spark Ignition (DSI) Module

<u>Illus. No.</u>	<u>Part No.</u>	<u>Qty.</u>	<u>Description</u>
9	318711	1	Notched Pipe Bracket
10	128935	1	Direct Spark Ignition (DSI) Module ONLY (Johnson Controls)
11	152013	2	#6-32 Hex Nut
12	121300	2	Open/Closed Bushing
13	150301	2	#8-18 x 7/16" Phillips Pan Head TEK Screw
14	121491	3	5/8" White Nylon Clamp
15	121492	3	3/16" Plastic Clip
16	128927	1	1/2" 24 VAC Direct Spark Ignition (DSI) Redundant (natural gas) Valve
	880960	1	Direct Spark Ignition (DSI) Gas Valve (liquid propane [L.P.] gas) ONLY
17	142506	1	1/2" x 1/2" Street Elbow
18	318712	1	Pipe Bracket
19	882157	1	1/4" Aluminum (12" length)
20	143203	1	Aluminum Tubing Adapter
21	143259	1	Aluminum Tubing Compression Fitting
22	151001	8	#8-32 Pal Nut
23	152001	3	#8-32 x 3/8" Hex Nut
24	153528	9	#8-32 x 1/2" Self Clinching Stud
25	815974	1	Direct Spark Ignition (DSI) Module Mounting Bracket (Johnson)
26	881367	1	1/2" Union Shut Off with Tail Piece
27	142805	1	1/2" x 34-1/2" Pipe
28	142934	1	1/2" Coupling with Mounting Tabs
29	150315	2	#6 x 3/8" Phillips Pan Head Type "B" Screw
30	122605	1	4-Pin Socket Connector ONLY
	122801	1	Pin/Socket Extraction Tool...Not Illustrated
31	122701	2	Socket Terminal ONLY
32	122604	1	4-Pin Connector ONLY
33	122700	2	Pin Terminal ONLY
--	880145**	1	ADG-330 Direct Spark Ignition (DSI) Liquid Propane (L.P.) Conversion Kit

* Orifice *is not included* and **must be** ordered separately.

** Consult factory for elevations over 2,000 feet.

For Models Mfd. prior to April 17, 2000



Illus. No.	Part No.	Qty.	Description
1	142506	1	1/2" x 1/2" Street Elbow
2	122700	2	Pin Terminal ONLY
3	122604	1	4-Pin Connector ONLY
4	881367	1	1/2" Union Shut Off with Tail Piece
5	318712	1	Pipe Bracket
6	150309	2	#10-16 x 1/2" Hex Head TEK Crimptite Screw
7	143259	1	Aluminum Tubing Compression Fitting
8	143100	1	1/4" Aluminum Tubing (sold by the foot)
9	143203	1	Aluminum Tubing Adapter
10	128927	1	1/2" 24 VAC Direct Spark Ignition (DSI) Redundant (natural gas) Valve
	140411	1	Direct Spark Ignition (DSI) Liquid Propane (L.P.) Gas Valve Conversion Kit
11	122701	2	Socket Terminal ONLY
12	122605	1	4-Pin Socket Connector ONLY
	122801	1	Pin/Socket Extraction Tool...Not Illustrated

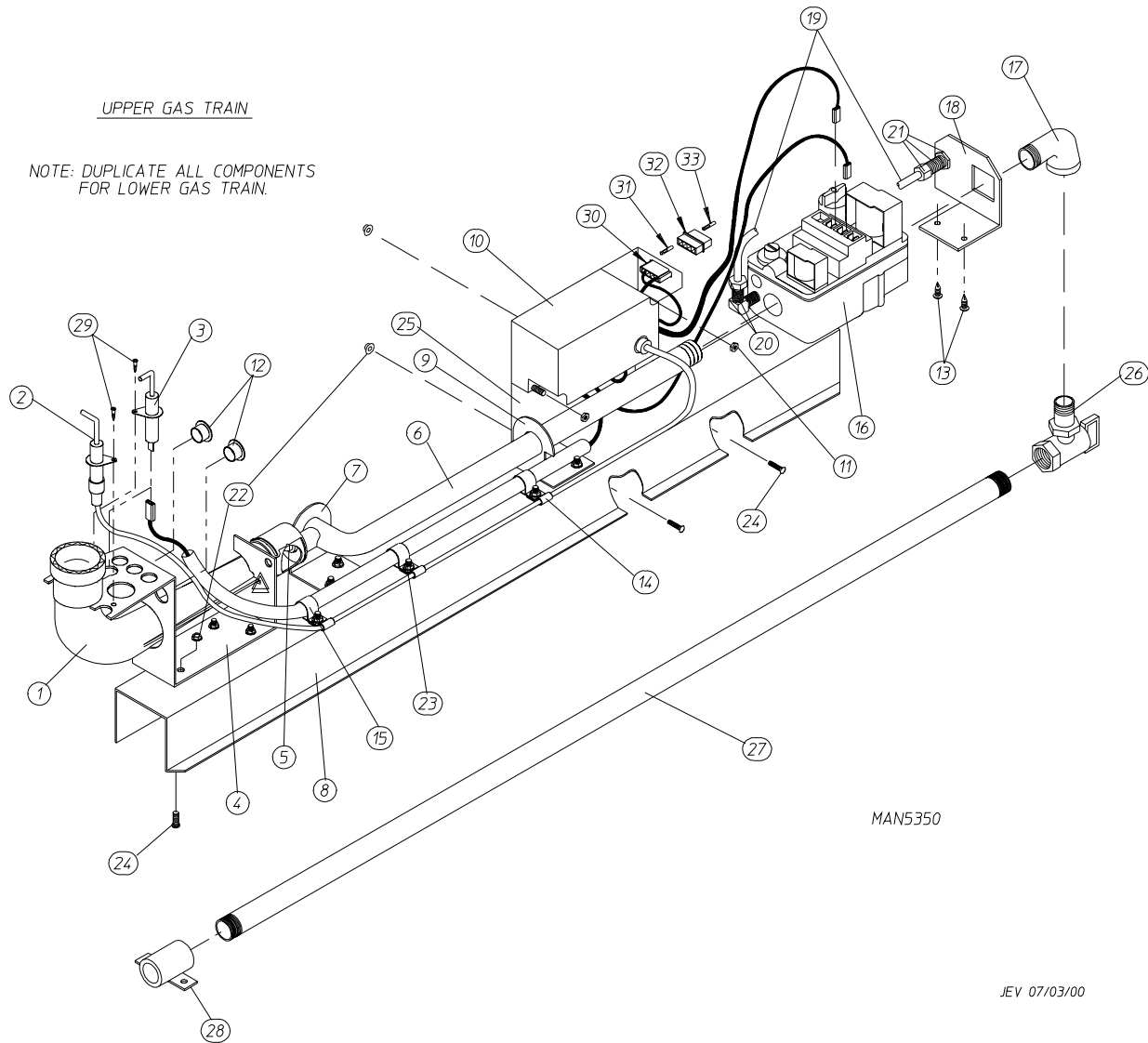
For Models Mfd. prior to April 17, 2000

13	842716	1	AD-330 Gas Valve Train Wiring (top gas train)
	842724	1	AD-330 Gas Valve Train Wiring (bottom gas train)
14	882627	1	Direct Spark Ignition (DSI) Module with Bracket
15	882605	1	Direct Spark Ignition (DSI) Module Mounting Bracket ONLY
16	153017	4	#6 Star Washer
17	151000	4	#6-32 Pal Nut
18	153528	2	#8-32 x 1/2" Self Clinching Stud
19	153012	2	#8 Star Washer
20	152001	2	#8-32 x 3/8" Hex Nut
21	318711	1	Notched Pipe Bracket
22	121060	4	5/8" Clear Flexite
23	121492	3	3/16" Plastic Clip
24	141225	1	Single-Port Manifold
25	318700	1	Pipe Bracket
26	121491	3	5/8" White Nylon Clamp
27	801020*	1	ADG-330 (natural gas) Gas Valve Train Assembly Complete Less Orifice (includes illus. nos. 1 through 3 and 5 through 36)
	319522	1	Gas Valve Train Slide ONLY
28	153528	9	#8-32 x 1/2" Self Clinching Stud
29	153012	16	#8 Star Washer
30	318009	1	Burner Tube Bracket (PSE)
31	151001	8	#8-32 Pal Nut
32	141130	1	Direct Spark Ignition (DSI) Up-Shot Burner Tube ONLY
33	128917	1	Spark Ignitor with 36" Wire
34	150315	2	#6 x 3/8" Phillips Pan Head Type "B" Screw
35	128918	1	Flame Sensor
36	121300	2	Open/Closed Bushing
37**	140856	1	#23 Burner Orifice (natural gas) ONLY
	140810	1	#42 Burner Orifice (liquid propane [L.P.] gas) ONLY
--	880145**	1	ADG-330 Direct Spark Ignition (DSI) Liquid Propane (L.P.) Conversion Kit

* Orifice is not included and **must be** ordered separately.

** Consult factory for elevations over 2,000 feet.

For Models Mfd. as of April 17, 2000 with Johnson Controls Direct Spark Ignition (DSI) Module



<u>Illus. No.</u>	<u>Part No.</u>	<u>Qty.</u>	<u>Description</u>
1	141130	1	Direct Spark Ignition (DSI) Up-Shot Burner Tube ONLY
2	128917	1	Spark Ignitor with 36" Wire
3	128918	1	Flame Sensor
4	318009	1	Burner Tube Bracket (PSE)
5	140823**	1	#26 Burner Orifice (natural gas) ONLY
	140809**	1	#43 Burner Orifice (liquid propane [L.P.] gas) ONLY
6	141245	1	Single-Port Manifold
7	318700	1	Pipe Bracket
8	882723*	1	Direct Spark Ignition (DSI) Natural Gas Train Assembly Complete (includes illus. nos. 1 through 4, 6 through 25, and 29 through 31)
	882724*	1	Direct Spark Ignition (DSI) Liquid Propane (L.P.) Gas Train Assembly Complete (includes illus. nos. 1 through 4, 6 through 25, and 29 through 31)
	319525	1	Gas Valve Train Slide ONLY

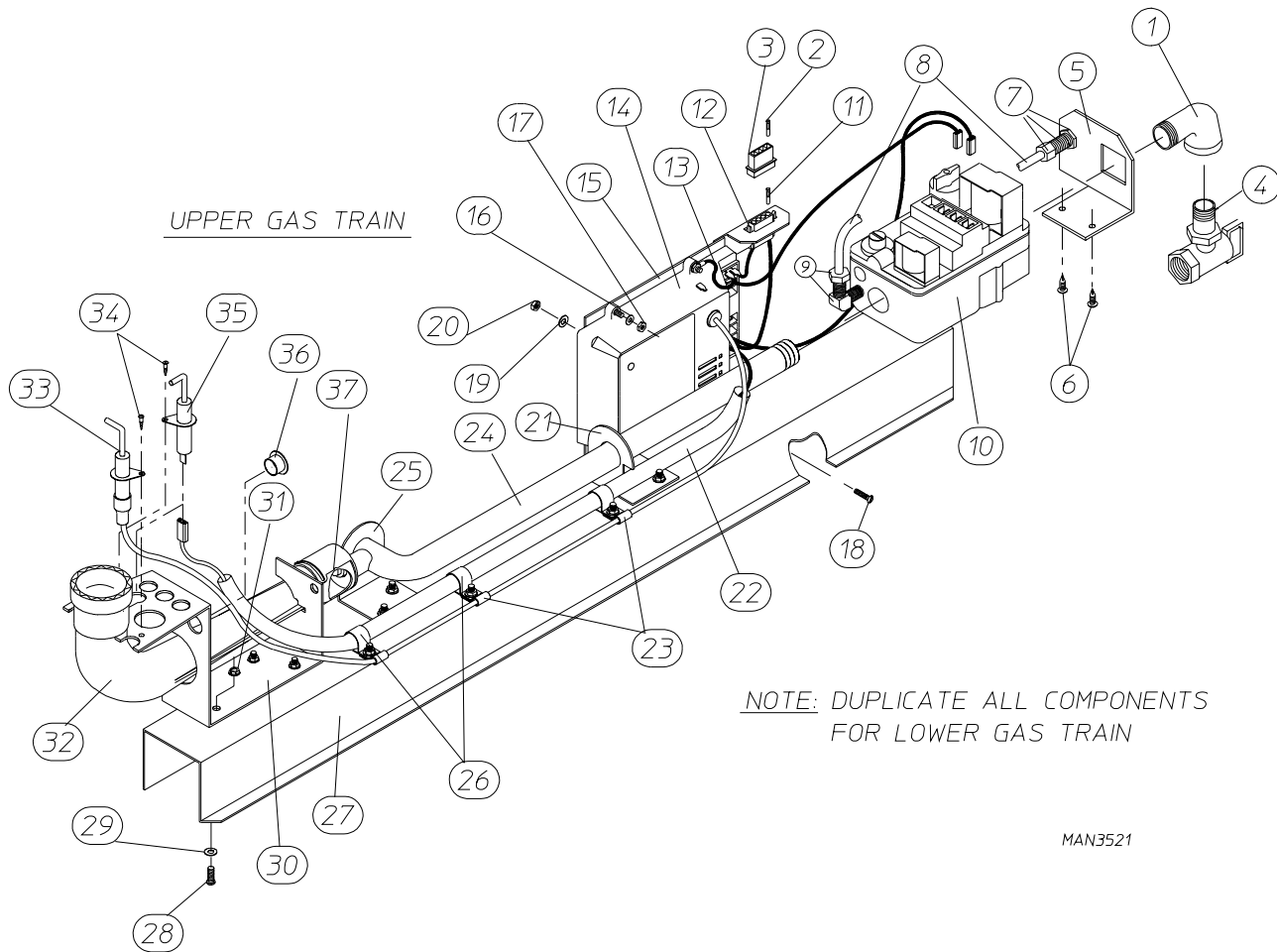
For Models Mfd. as of April 17, 2000 with Johnson Controls Direct Spark Ignition (DSI) Module

<u>Illus. No.</u>	<u>Part No.</u>	<u>Qty.</u>	<u>Description</u>
9	318711	1	Notched Pipe Bracket
10	128935	1	Direct Spark Ignition (DSI) Module ONLY (Johnson Controls)
11	152013	2	#6-32 Hex Nut
12	121300	2	Open/Closed Bushing
13	150301	2	#8-18 x 7/16" Phillips Pan Head TEK Screw
14	121491	3	5/8" White Nylon Clamp
15	121492	3	3/16" Plastic Clip
16	128927	1	1/2" 24 VAC Direct Spark Ignition (DSI) Redundant (natural gas) Valve
	880960	1	Direct Spark Ignition (DSI) Gas Valve (liquid propane [L.P.] gas) ONLY
17	142506	1	1/2" x 1/2" Street Elbow
18	318712	1	Pipe Bracket
19	882157	1	1/4" Aluminum (12" length)
20	143203	1	Aluminum Tubing Adapter
21	143259	1	Aluminum Tubing Compression Fitting
22	151001	8	#8-32 Pal Nut
23	152001	3	#8-32 x 3/8" Hex Nut
24	153528	9	#8-32 x 1/2" Self Clinching Stud
25	815974	1	Direct Spark Ignition (DSI) Module Mounting Bracket (Johnson)
26	881367	1	1/2" Union Shut Off with Tail Piece
27	142809	1	1/2" x 29-1/8" Pipe
28	142934	1	1/2" Coupling with Mounting Tabs
29	150315	2	#6 x 3/8" Phillips Pan Head Type "B" Screw
30	122605	1	4-Pin Socket Connector ONLY
	122801	1	Pin/Socket Extraction Tool...Not Illustrated
31	122701	2	Socket Terminal ONLY
32	122604	1	4-Pin Connector ONLY
33	122700	2	Pin Terminal ONLY
--	874060**	1	ADG-320 Direct Spark Ignition (DSI) Liquid Propane (L.P.) Conversion Kit

* Orifice *is not included* and **must be** ordered separately.

** Consult factory for elevations over 2,000 feet.

For Models Mfd. prior to April 17, 2000



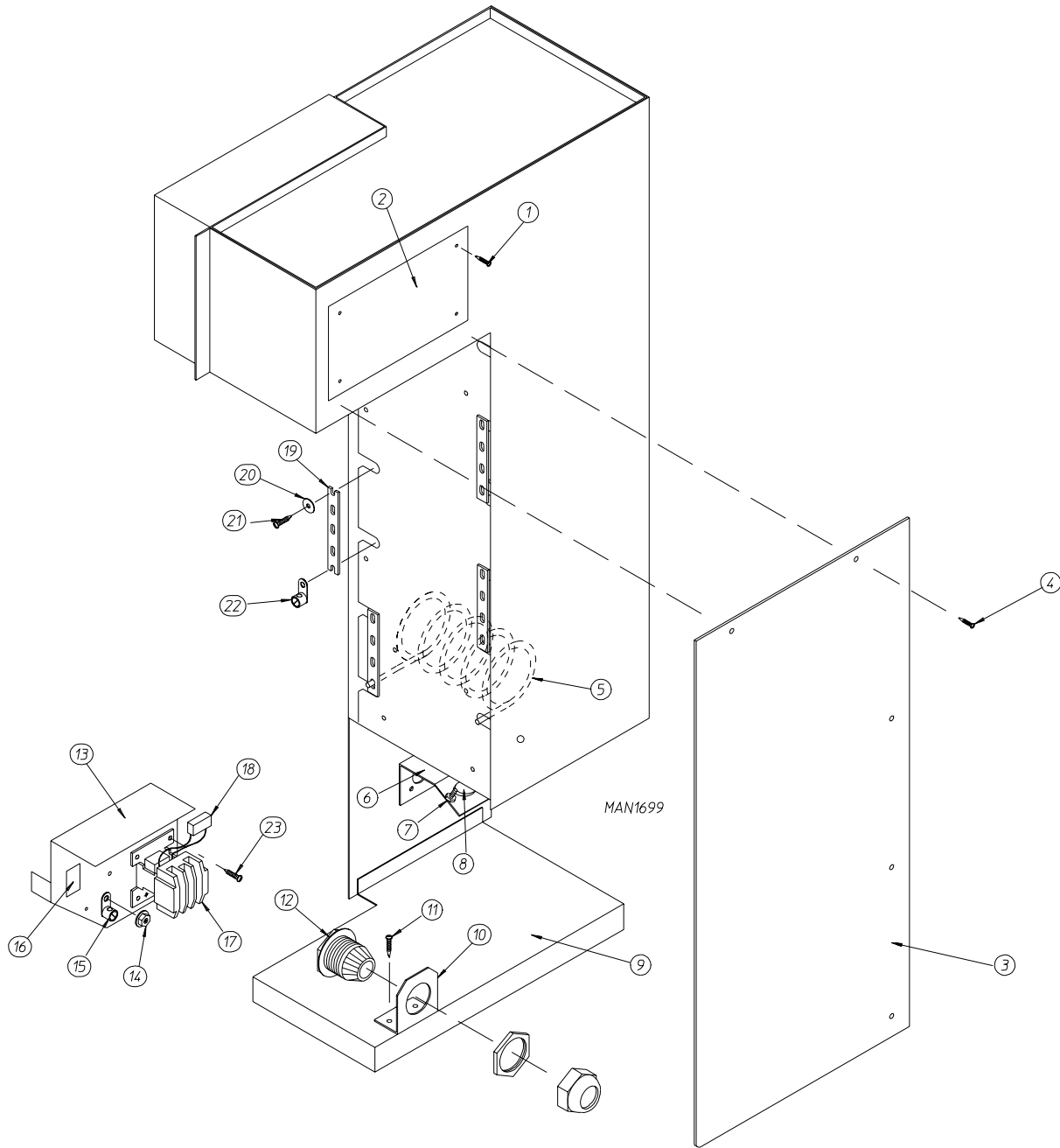
Illus. No.	Part No.	Qty.	Description
1	142506	1	1/2" x 1/2" Street Elbow
2	122700	2	Pin Terminal ONLY
3	122604	1	4-Pin Connector ONLY
4	881367	1	1/2" Union Shut Off with Tail Piece
5	318712	1	Pipe Bracket
6	150309	2	#10-16 x 1/2" Hex Head TEK Crimptite Screw
7	143259	1	Aluminum Tubing Compression Fitting
8	143100	1	1/4" Aluminum Tubing (sold by the foot)
9	143203	1	Aluminum Tubing Adapter
10	128927	1	1/2" 24 VAC Direct Spark Ignition (DSI) Redundant (natural gas) Valve
	140411	1	Direct Spark Ignition (DSI) Liquid Propane (L.P.) Gas Valve Conversion Kit
11	122701	2	Socket Terminal ONLY
12	122605	1	4-Pin Socket Connector ONLY
	122801	1	Pin/Socket Extraction Tool...Not Illustrated

For Models Mfd. prior to April 17, 2000

<u>Illus. No.</u>	<u>Part No.</u>	<u>Qty.</u>	<u>Description</u>
13	842716	1	AD-320 Gas Valve Train Wiring (top gas train)
	842724	1	AD-320 Gas Valve Train Wiring (bottom gas train)
14	882627	1	Direct Spark Ignition (DSI) Module with Bracket
15	882605	1	Direct Spark Ignition (DSI) Module Mounting Bracket ONLY
16	153017	4	#6 Star Washer
17	151000	4	#6-32 Pal Nut
18	153528	2	#8-32 x 1/2" Self Clinching Stud
19	153012	2	#8 Star Washer
20	152001	2	#8-32 x 3/8" Hex Nut
21	318711	1	Notched Pipe Bracket
22	121060	4	5/8" Clear Flexite
23	121492	3	3/16" Plastic Clip
24	141245	1	Single-Port Manifold
25	318049	1	Pipe Bracket
26	121491	3	5/8" White Nylon Clamp
27*	801023	1	ADG-320 (natural gas) Gas Valve Train Assembly Complete Less Orifice (includes illus. nos. 1 through 3 and 5 through 36)
	319525	1	Gas Valve Train Slide ONLY
28	153528	9	#8-32 x 1/2" Self Clinching Stud
29	153012	16	#8 Star Washer
30	318009	1	Burner Tube Bracket (PSE)
31	151001	8	#8-32 Pal Nut
32	141130	1	Direct Spark Ignition (DSI) Up-Shot Burner Tube ONLY
33	128917	1	Spark Ignitor with 36" Wire
34	150315	2	#6 x 3/8" Phillips Pan Head Type "B" Screw
35	128918	1	Flame Sensor
36	121300	2	Open/Closed Bushing
37**	140823	1	#26 Burner Orifice (natural gas) ONLY
	140809	1	#43 Burner Orifice (liquid propane [L.P.] gas) ONLY
--	874060**	1	ADG-320 Direct Spark Ignition (DSI) Liquid Propane (L.P.) Conversion Kit

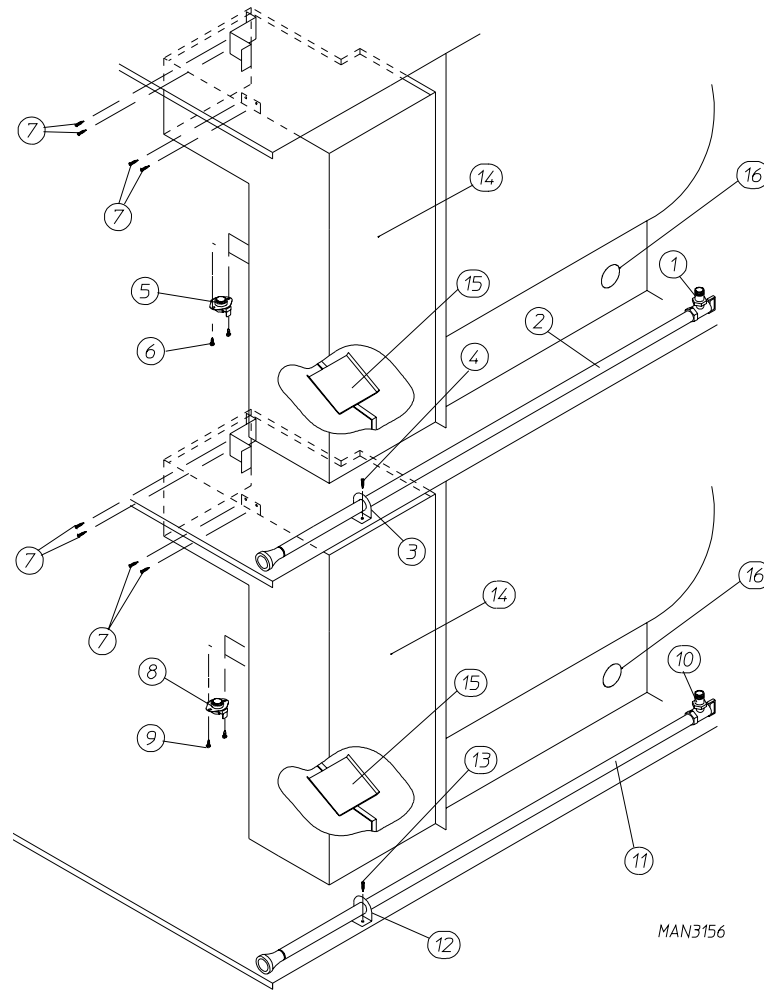
* Orifice *is not included* and **must be** ordered separately.

** Consult factory for elevations over 2,000 feet.

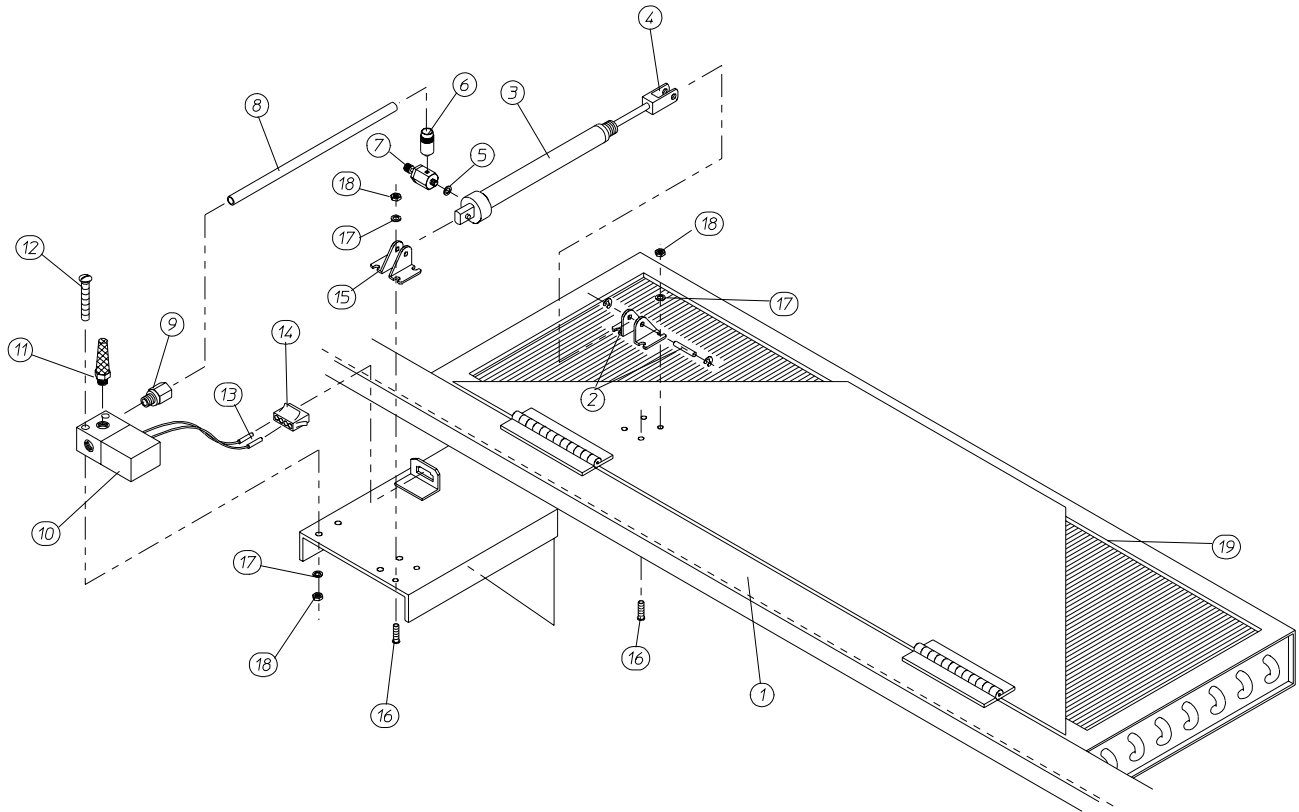


<u>Illus. No.</u>	<u>Part No.</u>	<u>Qty.</u>	<u>Description</u>
1	150300	4	#10-16 x 1/2" Hex Washer TEK Screw
2	318065	1	Burner Box Clean Out Plate
3	320656	1	Back Plate Cover
4	150302	5	#6 x 3/8" Phillips Pan Head TEK Screw
5	-----	6	Heating Elements (refer to Electric Oven Component Chart on page 69)
6	319703	1	Hi-Limit Bracket
7	151001	2	#8-32 Pal Nut
8	130400	1	290° Thermostat
9	320653	1	ADE-330/ADE-320 Stainless Steel Electric Reflector
10	318651	1	ADE-330/ADE-320 Oven Wire Bracket
11	150300	2	#10-16 x 1/2" Hex Washer TEK Screw
12	137027	1	Strain Relief
13	320655	1	ADE-330/ADE-320 Contactor Bracket
14	152014	1	1/4-20 Free Spin Wash Nut
15	121010	1	L-70 Terminal Lug
16	112075	1	"GROUND HERE" Label
17	-----	1	Oven Contactor (refer to Electric Oven Component Chart on page 69)
18	824828	1	RC Network with Connectors
19	121011	*	Bus Bar
20	153009	15	#10 Star Washer
21	150212	15	#10-32 x 5/16" Phillips Pan Head Stainless Steel Screw
22	-----	*	Terminal Lug (refer to Electric Oven Component Chart on page 69)
23*	150309	4	#10-16 x 1/2" Hex Head TEK Crimptite Screw

* As required.



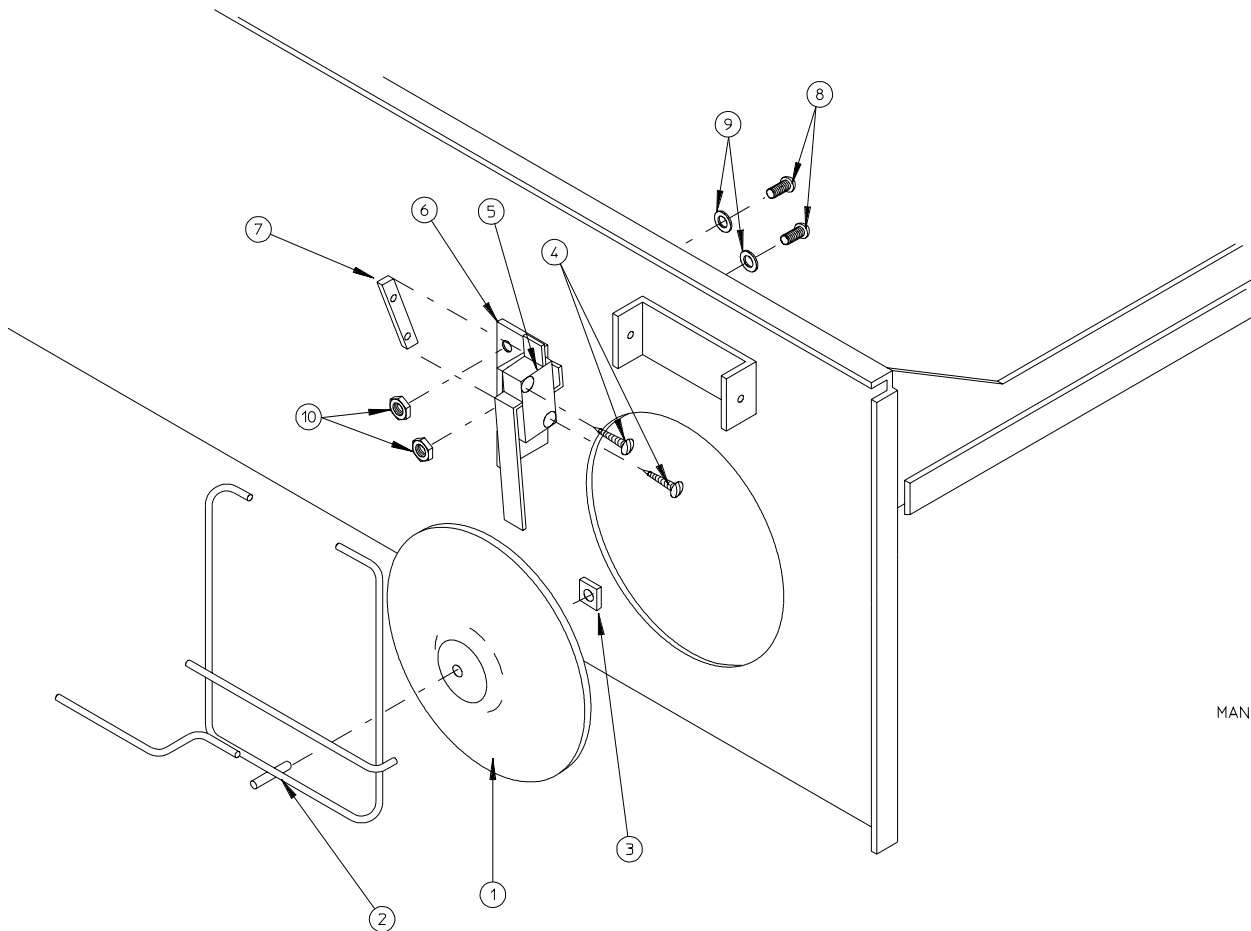
<u>Illus. No.</u>	<u>Part No.</u>	<u>Qty.</u>	<u>Description</u>
1	881367	1	1/2" Union Shut Off with Tail Piece
2	142805	1	1/2" x 34-1/2" Pipe (for ADG-330 Only)
	142809	1	1/2" x 29-1/8" Pipe (for ADG-320 Only)
3	318700	1	Pipe Bracket
4	150300	2	#10-16 x 1/2" Hex Washer TEK Screw
5	130403	1	330° Burner Hi-Limit Thermostat
6	150300	2	#10-16 x 1/2" Hex Washer TEK Screw
7	150309	8	#10-16 x 1/2" Hex Head TEK Crimptite Screw
8	130403	1	330° Burner Hi-Limit Thermostat
9	150300	2	#10-16 x 1/2" Hex Washer TEK Screw
10	881367	1	1/2" Union Shut Off with Tail Piece
11	142805	1	1/2" x 34-1/2" Pipe (for ADG-330 Only)
	142809	1	1/2" x 29-1/8" Pipe (for ADG-320 Only)
12	318700	1	Pipe Bracket
13	150300	2	#10-16 x 1/2" Hex Washer TEK Screw
14	850854	2	ADG-330/ADG-320 Burner Box without Flame Spreader
15	850912	2	ADG-330/ADG-320 Flame Spreader
16	-----	-	Sail Switch (refer to Sail Switch Assembly on page 64)



MAN2452

<u>Illus. No.</u>	<u>Part No.</u>	<u>Qty.</u>	<u>Description</u>
1	850875	1	ADS-330/ADS-320 Steam Damper Assembly
2	100532	1	Pivot Bracket with Pin
3	100540	1	Steam Damper Piston (cylinder) Assembly (includes illus. nos. 3 and 5 through 11)
	100530	1	9/16" Bore x 2" Stroke Piston
4	100531	1	Piston Clevis
5	115994	1	Needle Valve Gasket
6	100471	1	1/4" x 10/32" (male) Connector
7	100534	1	Needle Valve
8	143110	1	1/4" Poly-Flo Tubing
9	100472	1	1/4" Poly x 1/8" M.P.T. Connector
10	100498	1	3-Way Micro Valve
11	100520	1	1/8" N.P.T. Silencer (muffler)
12	150002	2	#6-32 x 1" Round Head Machine Screw
13	122701	2	Socket Terminal ONLY
14	122605	1	4-Pin Socket Connector ONLY
	122801	1	Pin/Socket Extraction Tool...Not Illustrated
15	100532	1	Pivot Bracket with Pin
16	153560	8	#6-32 x 1/2" Self-Clinching Stud
17	153008	10	#6 Lock Washer
18	152013	10	#6-32 Hex Nut
19	165035	1	ADS-330/ADS-320 Steam Coil Assembly

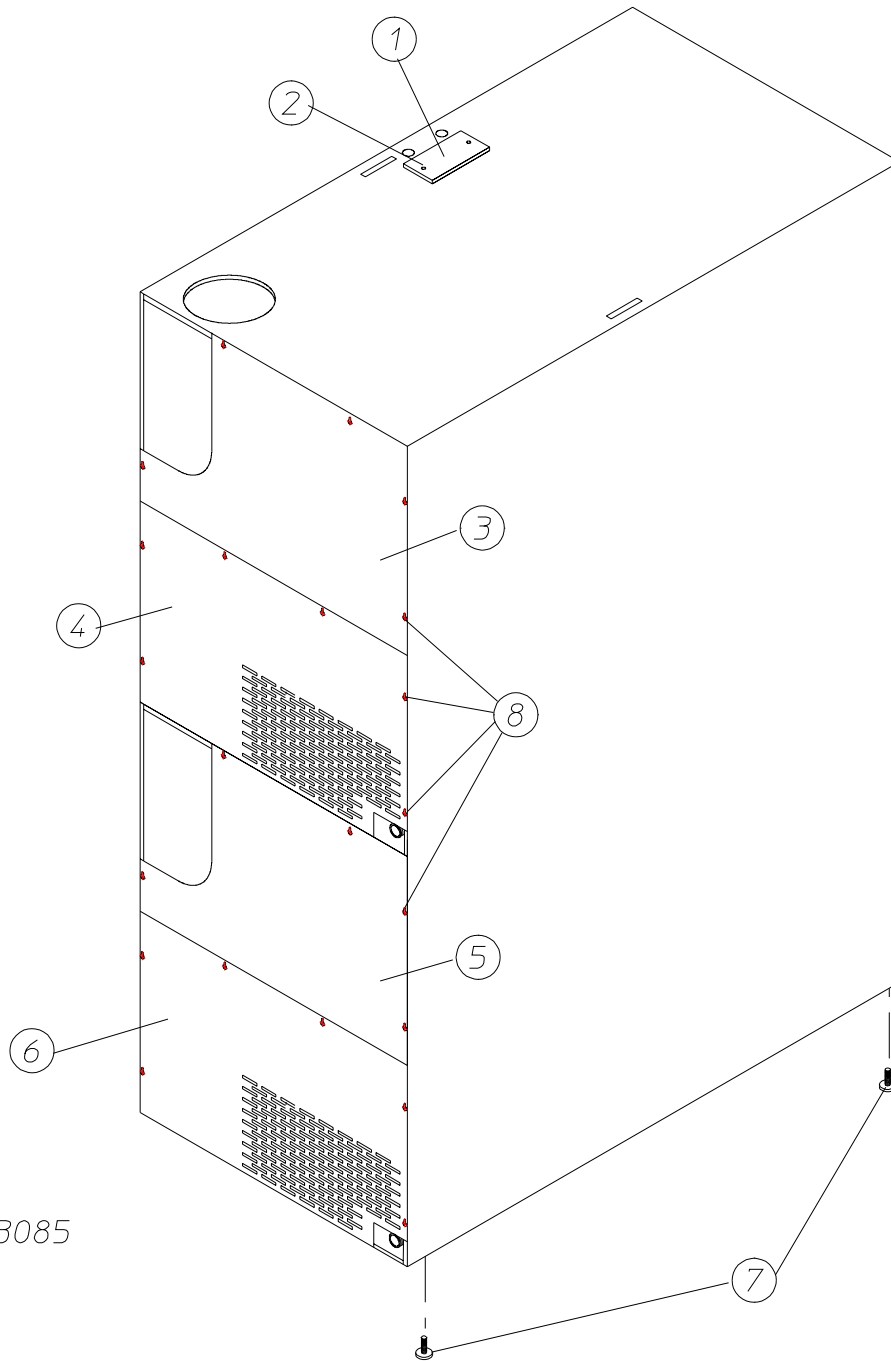
UPPER SAIL SWITCH ASSEMBLY



MAN0570

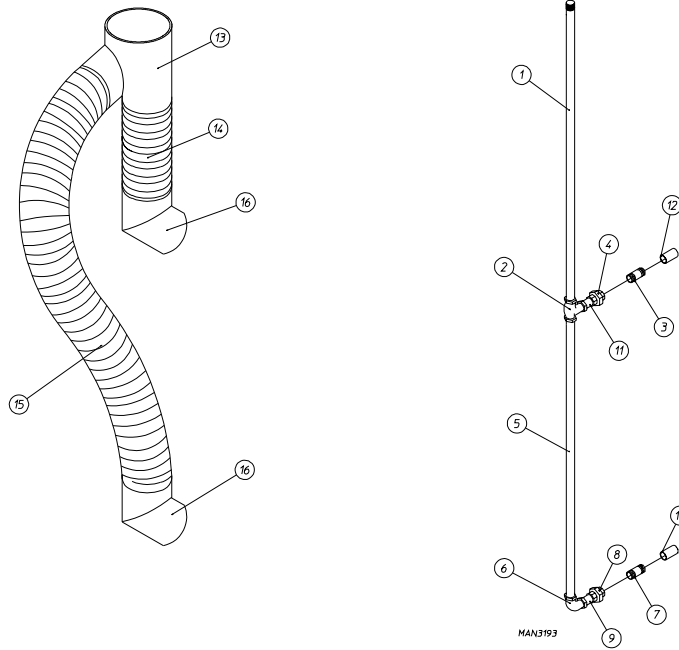
NOTE: DUPLICATE ALL COMPONENTS
FOR LOWER SAIL SWITCH ASSEMBLY

Illus. No.	Part No.	Qty.	Description
1	319206	1	Sail Switch Damper (embossed)
	802805	1	AD-330/AD-320 Sail Switch Rod and Damper Assembly (includes illus. nos. 1, 2, and 3)
2	105550	1	AD-330/AD-320 Sail Switch Rod
3	154002	1	1/8" Push On Fastener
4	150303	2	#4 x 3/4" Pan Head "A" Machine Screw
5	122200	1	Sail Switch ONLY
	802807	1	AD-330/AD-320 Sail Switch Bracket Assembly (includes illus. nos. 4 through 7)
6	319208	1	AD-330/AD-320 Sail Switch Bracket
7	154004	1	Twin Speed Nut
8	150001	2	#6-32 x 1/2" Round Head Machine Screw
9	153010	2	#6 Star Washer
10	152000	2	#6-32 Hex Nut



MAN3085

<u>Illus. No.</u>	<u>Part No.</u>	<u>Qty.</u>	<u>Description</u>
1	315014	1	Top Electric Box Cover Plate
2	150309	2	#10-16 x 1/2" Hex Head TEK Crimptite Screw
3	314404	1	AD-330/AD-320 Top Upper Guard
4	314405	1	AD-330/AD-320 Top Lower Guard
5	314404	1	AD-330/AD-320 Bottom Upper Guard
6	314405	1	AD-330/AD-320 Bottom Lower Guard
7	103500	4	Adjustable Leveling Leg
8	150309	22	#10-16 x 1/2" Hex Head TEK Crimptite Screw



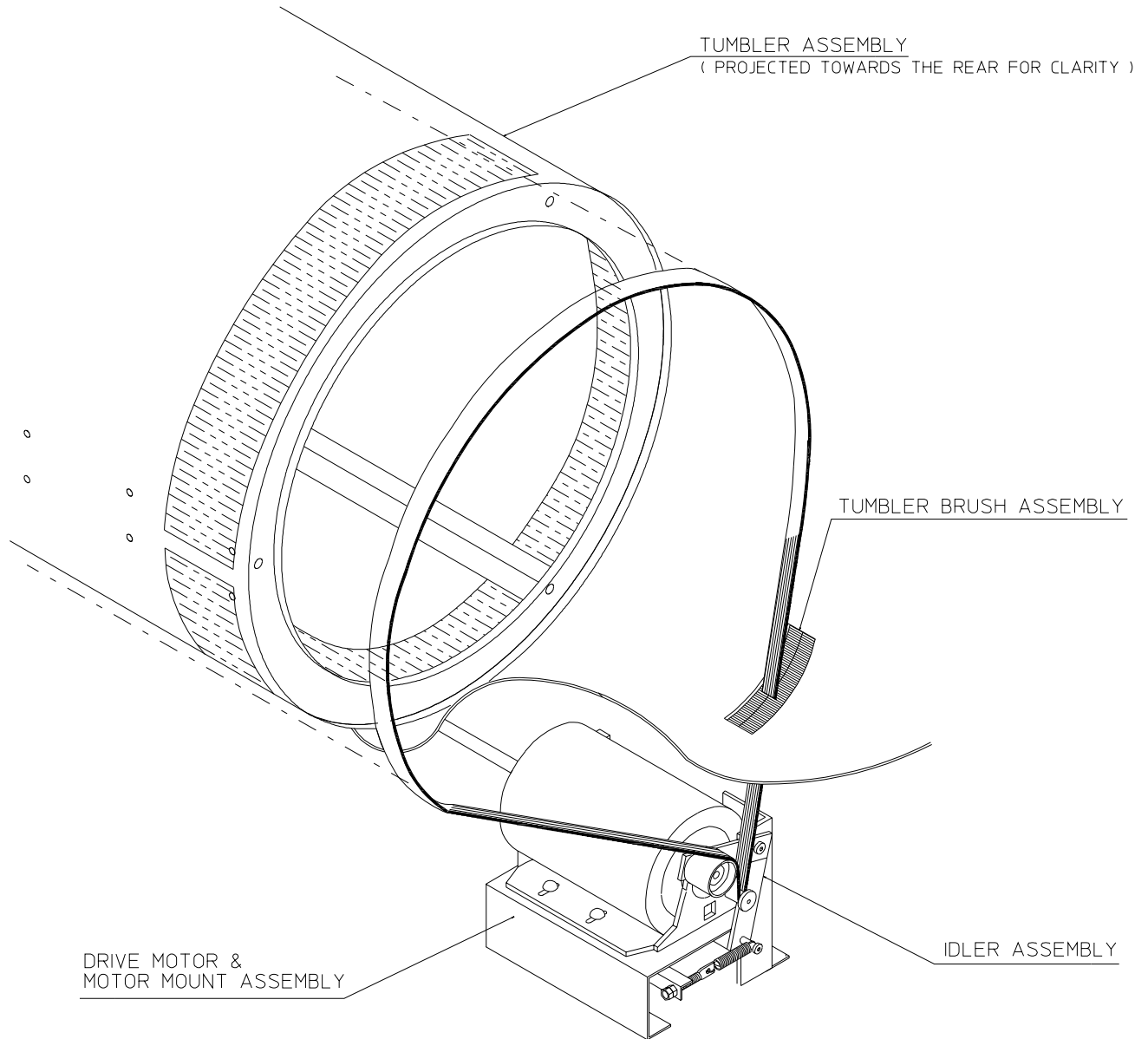
ADG-330/ADG-320 Optional Gas Piping Kit

<u>Illus. No.</u>	<u>Part No.</u>	<u>Qty.</u>	<u>Description</u>
---	880128	1	ADG-330/ADG-320 Gas Piping Kit (includes illus. nos. 1 through 12)
1	142821	1	3/4" x 36" Pipe
2	142505	1	3/4" x 1/2" x 1/2" Tee
3	142814	1	1/2" x 2-1/2" Nipple
4	142600	1	1/2" Union
5	142824	1	1/2" x 37-1/4" Pipe
6	142500	1	1/2" x 90° Elbow
7	142814	1	1/2" x 2-1/2" Nipple
8	142600	1	1/2" Union
9	142700	1	1/2" Close Nipple
10	143001	1	1/2" Coupling
11	142700	1	1/2" Close Nipple
12	143001	1	1/2" Coupling

ADG-330/ADG-320 Optional Exhaust Ducting Kit

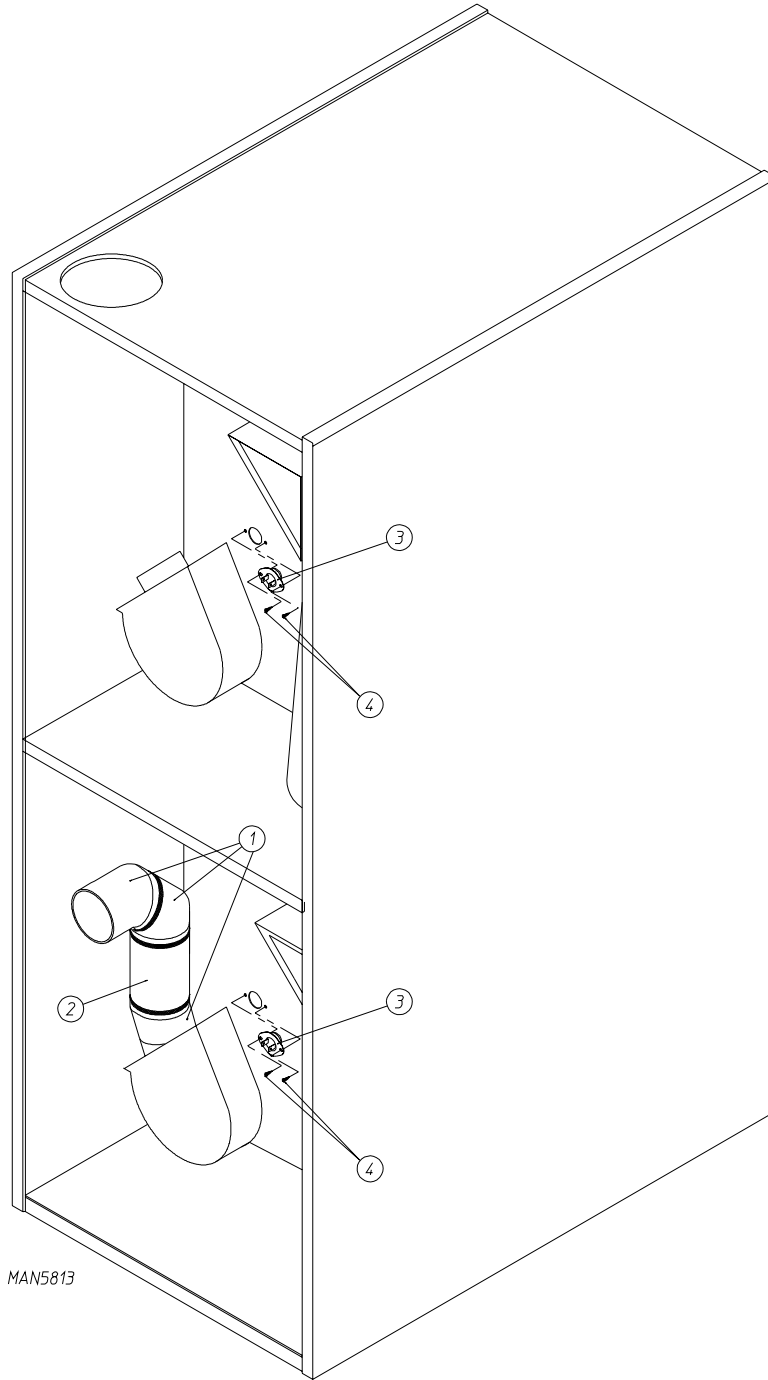
---	882035	1	AD-330/AD-320 Exhaust Ducting Kit (includes illus. nos. 13 through 16)
13	143600	1	10" x 6" x 6" Wye Branch Duct
14	143519	1	6" Round x 4' Long Flexible Exhaust Duct
15	143509	1	6" Round x 8' Long Flexible Exhaust Duct
16	143536	2	6" Round x 45° Elbow
---	150300*	12	#10-16 x 1/2" Hex Washer TEK Screw
---	117505*	12	Aluminum Duct Tape (sold by the foot)

* Included with Exhaust Ducting Kit (ADC Part No. 882035).



MAN0433

12-RIB 95" (J) POLY BELT ARRANGEMENT



MAN5813

MFM 06/20/01

<u>Illus. No.</u>	<u>Part No.</u>	<u>Qty.</u>	<u>Description</u>
1	143536	2	6" Round x 45° Elbow
2	143545	1	6" Round x 6" Long Duct
-	117505*	5	Aluminum Duct Tape (sold by the foot)
3	130107	2	Cabinet Hi-Limit 160°
4	150301	4	#8-18 x 7/16" Phillips Pan Head Screw

* Tape **ALL** joints.

OVEN SIZE (KW)	SERVICE VOLTAGE	PHASE	WIRE SIZE	ELECTRIC OVEN ASSEMBLY*	ELEMENTS		TERMINAL LUG		BUS BAR PART NO. 112011	ELECTRIC OVEN RELAY		
					QTY.	KW SIZE	QTY.	PART NO.		CAT. NO.	PART NO.	
15	208	1 ϕ	#4	880950	6	2.5	120036	9	121012	6'	EEAJ	131370
15	240	1 ϕ	#4	880951	6	2.5	120040	9	121012	6'	EEAJ	131370
15	208	3 ϕ	#6	880952	6	2.5	120036	9	121012	2'	SQUARE D	131357
15	240	3 ϕ	#6	880953	6	2.5	120040	9	121010	2'	SQUARE D	131352
15	380	3 ϕ	#10 + #8	880954	6	2.5	120038	5	121010	2'	SQUARE D	131352
15	416	3 ϕ	#10 + #8	880955	6	2.5	120036	5	121010	2'	SQUARE D	131352

* Electric oven assembly complete *does not include* oven relay (contactor). This item **must be** ordered separately. When ordering electric oven assembly complete specify 3 wire or 4 wire when applicable.

STEP DOWN TRANSFORMER USAGE LISTING				
HEAT	VOLTAGE	PHASE	WIRE SERVICE	TRANSFORMER PART NUMBER
ELECTRIC	208	1 ϕ	2	132063
	240	1 ϕ	2	132070
	208	3 ϕ	3 or 4	141403
	240	3 ϕ	3 or 4	141403
	380	3 ϕ	3 or 4	141403
	460/480	3 ϕ	3 or 4	141403

<u>Part No.</u>	<u>Description</u>
100405	Bearing Puller (for fan [impellor] shaft bearing)
112039	“Black/White/Green Ground” Label
112119	Phase 5 Dual Microprocessor Controller (DMC) User’s Manual
112144	AD-330/AD-320 Installation Manual
112530	“Program Location Summary” Coin Label
114001	“CAUTION - Exhaust/Lint Screen” Label
114006	“WARNING - Fire Hazards” Label
120802	Red Butt Connector
120903	#74B Wire Nut
121014	Crimp-On Wire Nut
121499	5-1/2” Harness Tie
121500	8” Harness Tie
121503	Harness Tie Mounting Clip
112804	Manometer (hydro gauge) for Measuring Gas Pressure
112280	“Lint Compartment” Label
404500	Almond Brush-In-Cap Bottle Touch-Up Paint
404502	White Brush-In-Cap Bottle Touch-Up Paint
404506	Beige Brush-In-Cap Bottle Touch-Up Paint
404507	Cornflower Blue Brush-In-Cap Bottle Touch-Up Paint
404515	Coral Blue Brush-In-Cap Bottle Touch-Up Paint
404516	Ivory Brush-In-Cap Bottle Touch-Up Paint
410001	1/2” Allen Wrench (for gas valve tail piece removal)
450403	ADG-320D and ADG-330 Service Procedures
450142	ADC Direct Spark Ignition (DSI) Technical Manual
450426	Johnson Controls Direct Spark Ignition (DSI) Technical Manual
880200	Electrical Terminal (assortment) Kit
880884	Basket (tumbler) Puller Assembly
881299	Loctite Adhesive Kit (for setscrews)

ADC450113	1 - 06/10/92-250	2 - 10/19/92-100	3 * 02/25/93-100
	4 * 04/23/93-100	5 * 07/22/93-100	6 * 11/09/93-100
	7 * 01/05/94-100	8 * 03/22/94-100	9 * 07/01/94-100
	10 - 11/30/94-200	11 * 10/23/95-200	12 - 03/20/96-200
	13 * 01/14/97-200	14 * 08/29/97-100	15 * 01/28/98-200
	16 - 09/01/99-30	17 * 12/01/99-50	18 - 02/04/00-50
	19 * 02/18/00-50	20 - 06/22/00-25	21 * 07/20/00-25
	22 - 09/26/00-75	23 - 03/19/01-25	24 * 08/27/01-30
	25 * 01/04/02-25	26 - 01/21/02-25	27 * 03/29/02-25
	28 * 06/13/02-25		

