

AD-170 Parts Manual
Phase 4
(for models mfd. prior to 1992)

American Dryer Corporation
88 Currant Road
Fall River, MA 02720-4781
Telephone: (508) 678-9010 / Fax: (508) 678-9447

121692

ADC Part No. 450116

Retain This Manual In A Safe Place For Future Reference

American Dryer Corporation products embody advanced concepts in engineering, design, and safety. If this product is properly maintained, it will provide many years of safe, efficient, and trouble-free operation.

ONLY properly licensed technicians should service this equipment.

OBSERVE ALL SAFETY PRECAUTIONS displayed on the equipment or specified in the installation/operator's manual included with the dryer.

WARNING: UNDER NO CIRCUMSTANCES should the door switch or the heat circuit devices ever be disabled.

WARNING: The dryer must never be operated with any of the back guards, outer tops, or service panels removed. PERSONAL INJURY or FIRE COULD RESULT.

We have tried to make this manual as complete as possible and hope you will find it useful. ADC reserves the right to make changes from time to time, without notice or obligation, in prices, specifications, colors, and material, and to change or discontinue models.

Important

For your convenience, log the following information:

DATE OF PURCHASE _____ MODEL NO. **AD-170**

DISTRIBUTOR'S NAME _____

Serial Number(s) _____

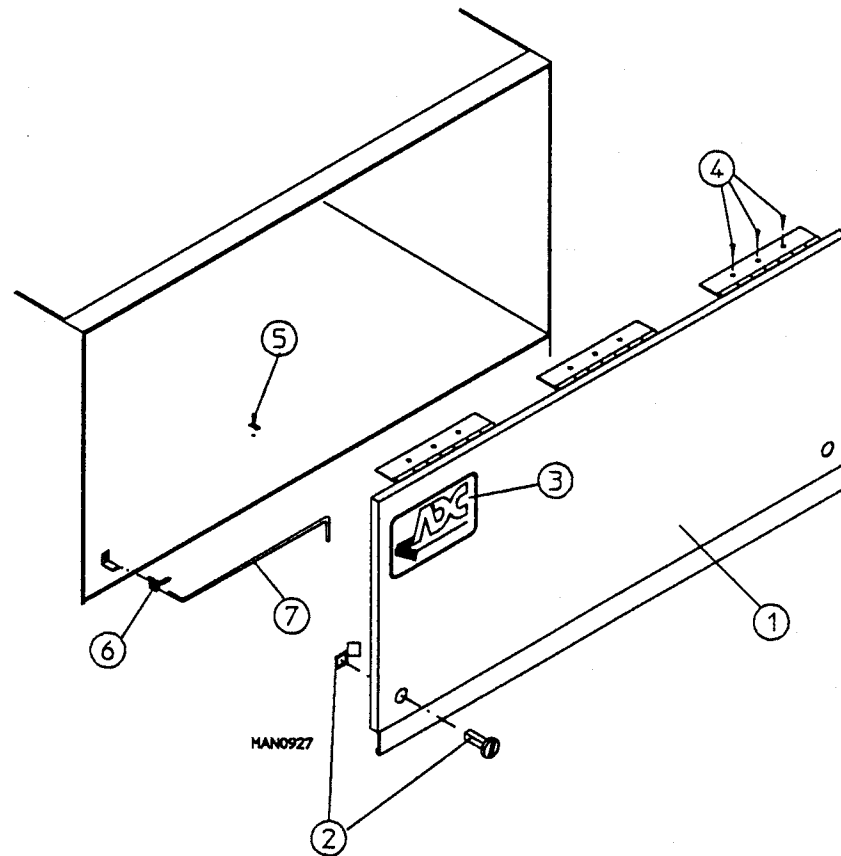
Replacement parts can be obtained from your distributor or the ADC factory. When ordering replacement parts from the factory, you can FAX your order to ADC at (508) 678-9447 or telephone your orders directly to the ADC Parts Department at (508) 678-9010. Please specify the dryer model number and serial number in addition to the description and part number, so that your order is processed accurately and promptly.

The illustrations on the following pages may not depict your particular dryer exactly. The illustrations are a composite of the various dryer models. Be sure to check the descriptions of the parts thoroughly before ordering.

INSTRUCTIONS TO BE FOLLOWED IN THE EVENT THE USER SMELLS GAS MUST BE POSTED IN A PROMINENT LOCATION. THE INSTRUCTIONS TO BE POSTED SHALL BE OBTAINED FROM THE LOCAL GAS SUPPLIER.

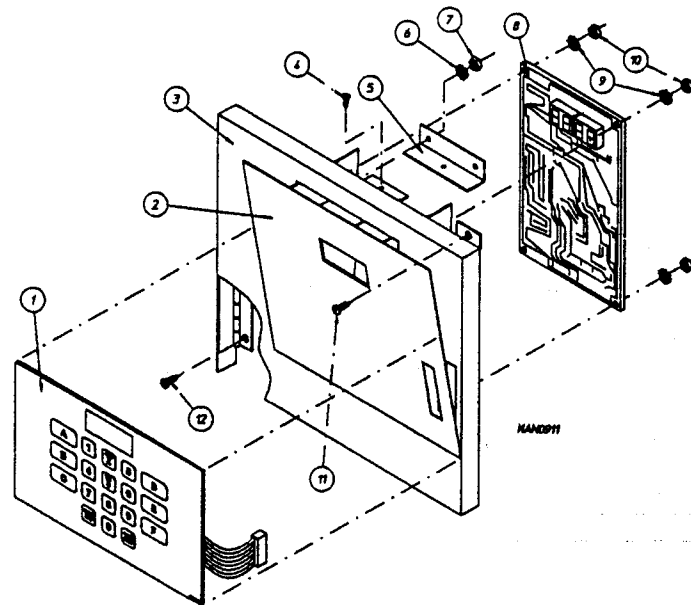
TABLE OF CONTENTS

Control Door Assembly	2
Microprocessor Control Panel Assembly	3
Control Box Assembly Control Box Assembly	4, 5
Front Panel / Main Door Assemblies	6, 7
Main Door Switch Assembly	8
Drop Lint Door Assembly	9
Lint Drawer / Lint Drawer Switch Box Assembly	10
Temperature Sensor Bracket Assembly	11
Basket / Support Assemblies	12
Tumbler Bearing Assembly	13
Idler Bearing Mount Assembly	14, 15
Totally Enclosed, Fan-Cooled Basket Motor Mount Assembly	16, 17
Blower Motor Mount Assembly (60Hz Gas Only)	18, 19
Blower Motor, Fan, and Shaft Assembly (60Hz Steam and 50Hz Gas Only)	20, 21
Blower Motor, Fan, and Shaft Assembly (50Hz Steam Only)	22, 23
Direct Spark Ignition (DSI) Burner Assembly	24, 25
Direct Spark Ignition (DSI) Module Mount Assembly	26
Sail Switch Assembly	27
Steam Damper Assembly	28, 29
Microprocessor Reversing Control Box Assembly (Models mfg. as of June 21, 1991)	30
Microprocessor Reversing Control Box Assembly (Models mfg. prior to June 21, 1991)	31
Back Guard Assembly / Stepdown Transformer	32
Addition Parts Available	33



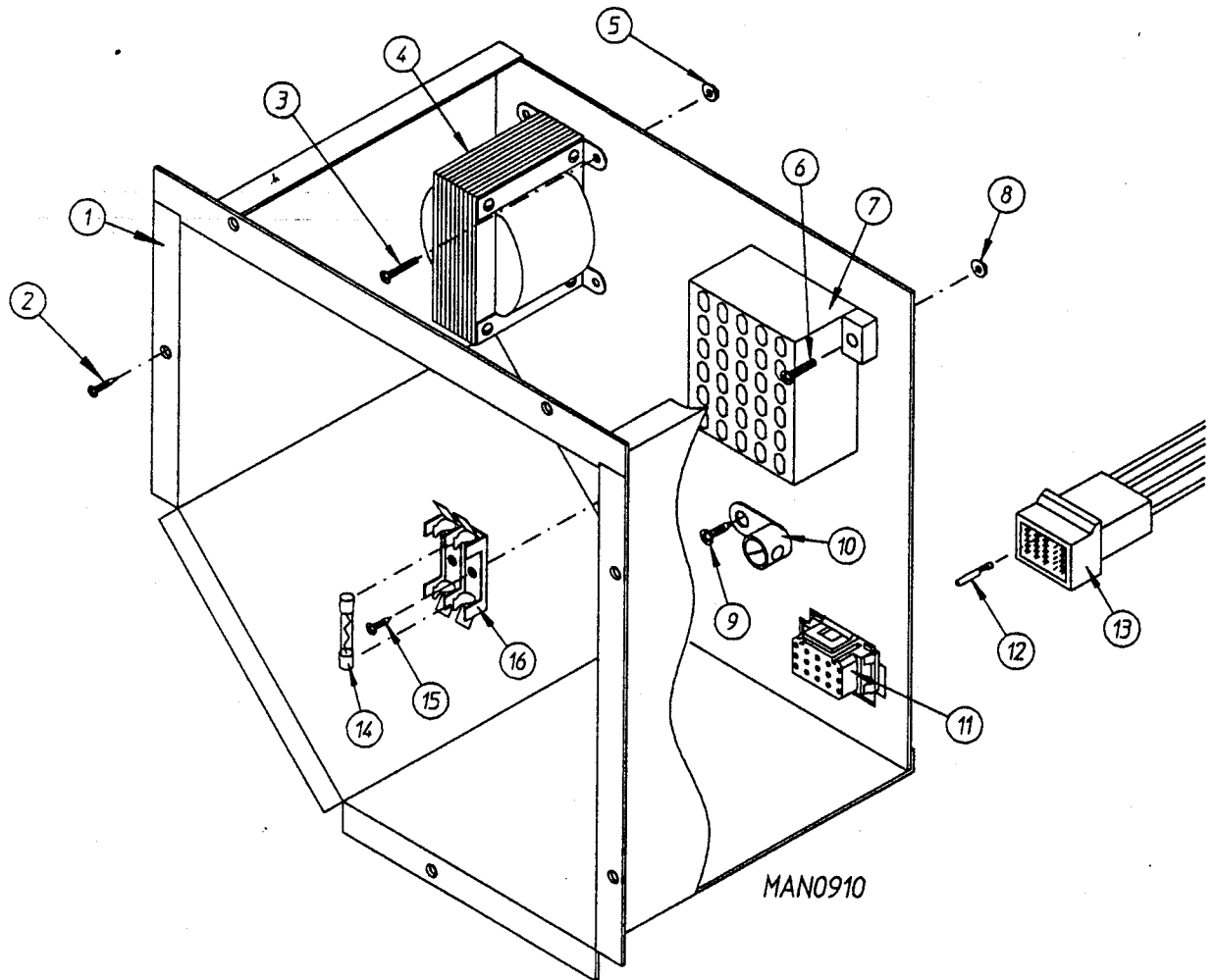
Illus. No.	Part No.	Qty.	Description
1	820944*	1	ADG-170 Control Door (20" Height) Assembly Only (For gas models only)
	820963*	1	ADS-170 Short Control Door (13" Height) Assembly Only (For steam models mfg. as of June 1, 1991)
	820944*	1	ADG-170 Control Door (20" Height) Assembly Only (For steam models mfg. prior to June 1, 1991)
2	160005	2	Spring Turn Latch (2-piece)
3	112360	1	ADC Logo Only
	870011	1	Logo Double Tape Kit
4	150415	9	#10-16 x 1/2" Phillips Right-Hand CrimpTite Screw
5	102600	1	Control Door Support Rod Catch
6	102601	1	Control Door Rod Retainer Clip
7	102505	1	Control Door Support Rod

* Specify color when ordering.



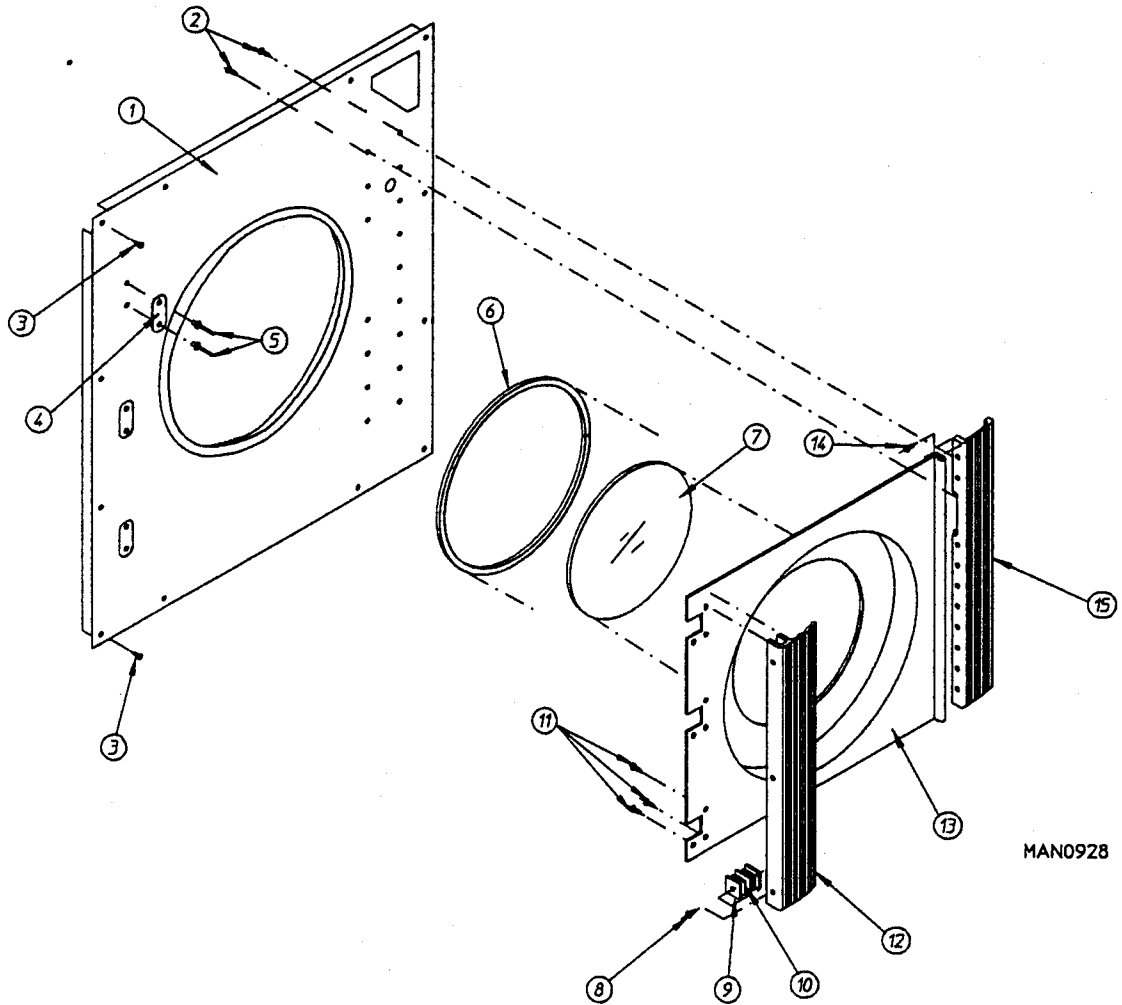
Illus. No.	Part No.	Qty.	Description
1	112535	1	OPL English Keyboard Label Assembly
	112276	1	OPL Stick-on Labels (English Only) Not Shown
	112275	1	OPL Stick-on Labels (Spanish, Italian, and Hebrew) Not Shown
	112277	1	3-Language OPL Stick-on Labels (English, Spanish, and Hebrew) Not Shown
	112278	1	5-Language OPL Stick-on Labels (Italian, Dutch, French, German, and Chinese) Not Shown
2	820935	1	AD-170 Swing Out Computer Drawer
3	820912	1	AD-170 Control Box Door
4	150000	1	#6-32 x 1/4" SI-Rh-Ms Pltd
5	332200	1	AD-170 Computer Drawer Angle
6	153012	2	#8 Star Washer
7	152001	2	#8-32 Hex Nut
8	137127	1	Phase 4 OPL Reversing Controller Only
	137128	1	Phase 4 OPL Reversing Controller Only With Battery Clip
9	153012	4	#8 Star Washer
10	152001	4	#8-32 Hex Nut
11	150000	1	#6-32 x 1/4" SI-Rh-Ms Pltd
12	150000	3	#6-32 x 1/4" SI-Rh-Ms Pltd

IMPORTANT: Check label on computer chip to verify correct part number.



Illus. No.	Part No.	Qty.	Description
1	820940	1	ADG-170 Control Box Assembly Complete (includes illus. nos. 1 through 11, and 14 through 16)
2	150301	6	#8-32 x 7/16" Phillips Right Hand TEK PLTD
3	150100	2	#8-32 x 1/2" Right-Hand Machine Screw
4	141403	1	24VAC Transformer
5	151001	2	#8-32 Pal Nut
6	150002	2	#6-32 x 1" Right Hand Machine Screw
7	120715	1	30-Position Terminal Block
8	151000	2	#6-32 Pal Nut
9	150415	1	#10-16 x 1/2" Phillips Right Hand Crimptite Screw
10	121010	1	L-70 Ground Lug
11	122626	1	15-Pin Socket Connector Only
12	122704	14	Pin Terminal Only
13	122625	1	15-Pin Connector Only
14	136057	*	1/2-Amp (Slo Blo) Fuse Only
15	150301	*	#8-32 x 7/16" Phillips Right Hand TEK PLTD
16	136008	*	Fuse Block / Strip Only
—	122800	1	Microprocessor (female) Pin Extraction Tool
—	122801	1	Pin / Socket Extraction Tool

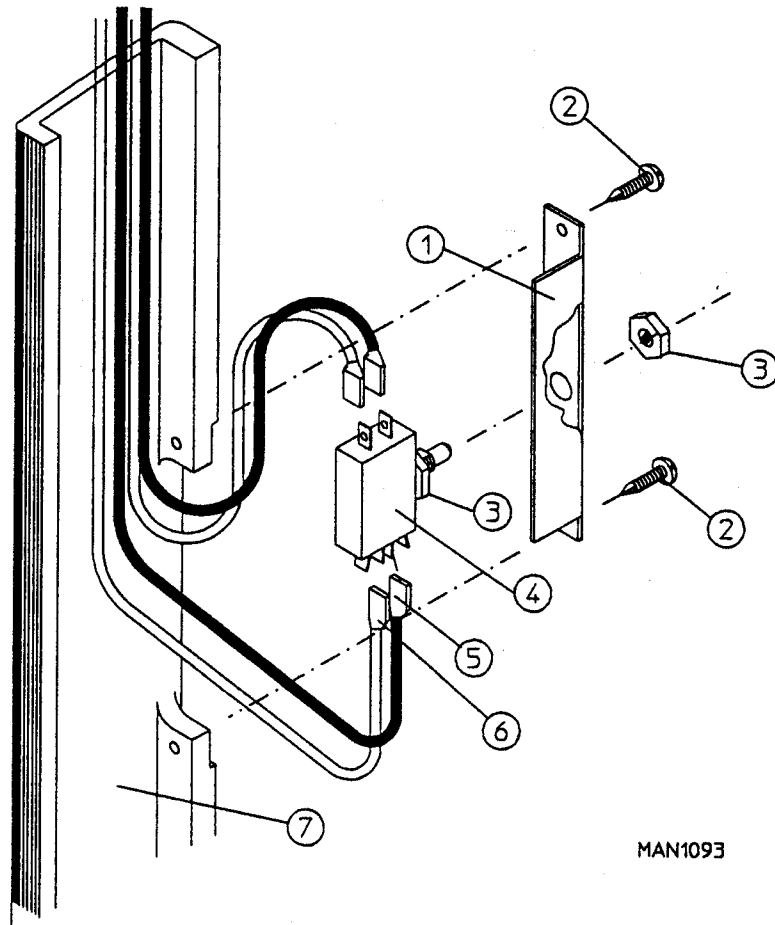
* As required.



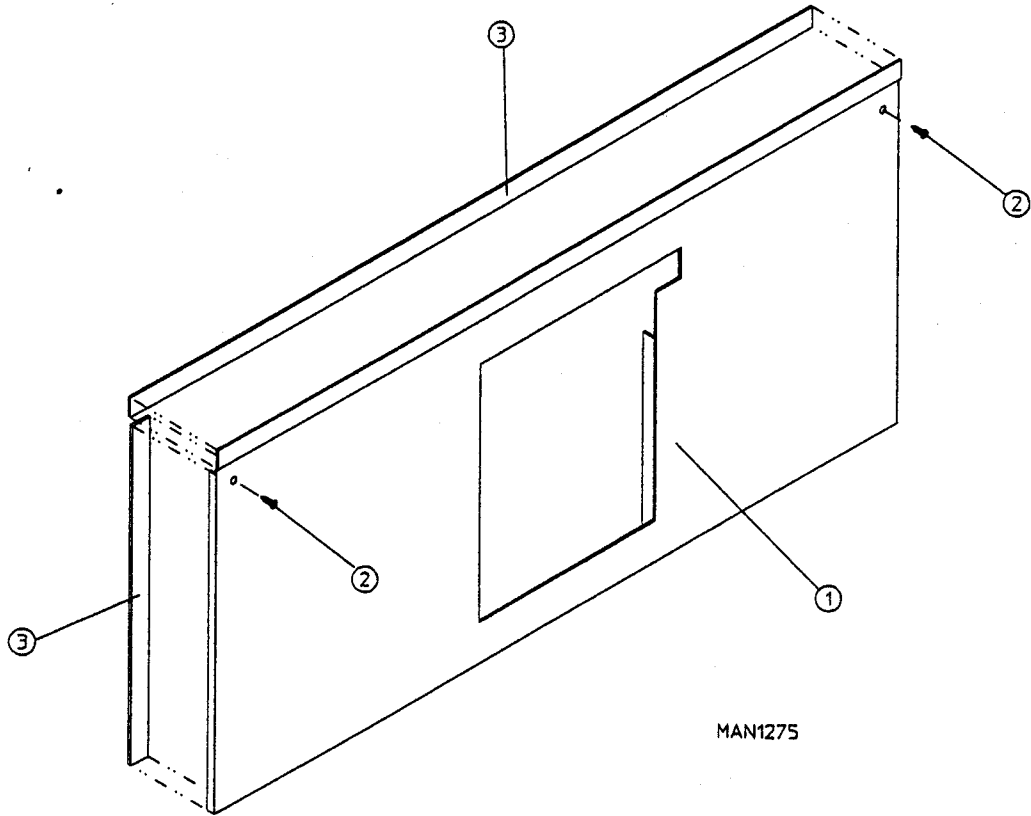
MAN0928

Illus. No.	Part No.	Qty.	Description
1	820929	1	AD-170 Right-Hand Front Panel Assembly (includes illus. nos. 1, 4, and 5)
2	150415	15	#10-24 x 5/8" Phillips Right-Hand Crimptite Screw
3	150412	12	#10-16 x 1/2" Phillips Right-Hand Crimptite Screw
4	170340	3	3-1/2" Stainless Steel Striker Pad
5	154200	6	5/32" Pop Rivet
6	102308	1	AD-170 Door Gasket Only (94" length)
7	102210	1	20-7/16" Door Glass Only
	170725	1	Glass and Gasket Adhesive (2.8oz Tube)
8	150401	3	#10-24 x 1 1/4" Phillips Taptite Screw
9	306801	6	Magnet Keeper Only
10	102100	6	1" x 1" x 1/4" Main Door Magnet Only
11	150415	9	#10-16 x 1/2" Phillips Right-Hand Crimptite Screw
12	170201	1	35" Silver Main Door Handle Only
	180150	1	35" Gray Main Door Handle Only
13	800110	1	AD-170 Main Door Assembly Complete with Silver Handle (includes illus. nos. 6 through 13)
	800127	1	AD-170 Main Door Assembly Complete with Gray Handle (includes illus. nos. 6 through 13)
	800122*	1	AD-170 Main Door Assembly with Glass and Gasket Only (includes illus. nos. 6, 7, and 13)
14	150430	11	#10 x 1/2" Phillips Self Drilling Screw
15	170210	1	35" Silver Main Door Hinge Block Only
	180155	1	35" Gray Main Door Hinge Block Only

* Specify color when ordering.

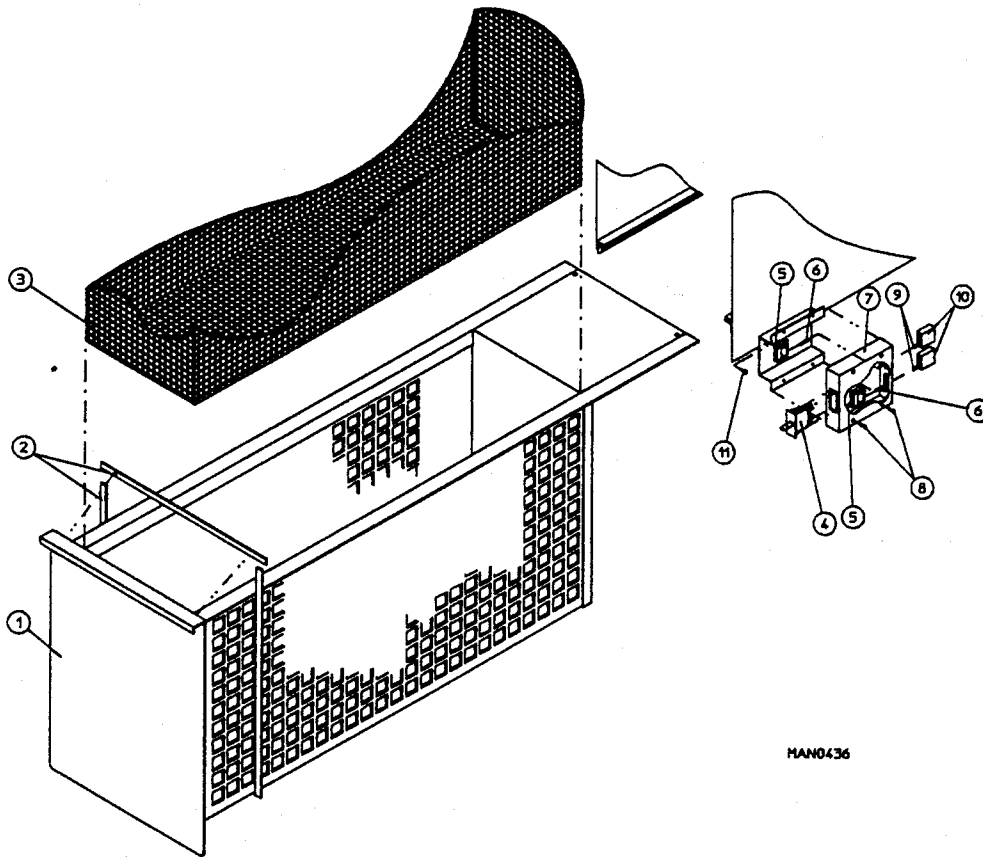


Illus. No.	Part No.	Qty.	Description
1	313208	1	Door Switch Bracket
2	150415	2	#10-16 x 1/2" Phillips Right-Hand Crimptite Screw
3	152003	2	3/8-32 x 1/2" x 1/16" Door Switch Nut
4	137006	1	Door Switch Only
5	121028	2	1/4" x .032 Insulated Terminal Only
6	121027	2	3/16" x .032 Insulated Terminal Only
7	170210	1	35" Silver Main Door Hinge Block Only
	180155	1	35" Gray Main Door Hinge Block Only



Illus. No.	Part No.	Description
1*	820945	AD-170 Drop Lint Door Assembly (includes illus. nos. 1 and 3)
2	150415	#10-16 x 1/2" Phillips Right-Hand Crimptite Screw
3	117602	Noise Suppressor Tape (sold in feet)

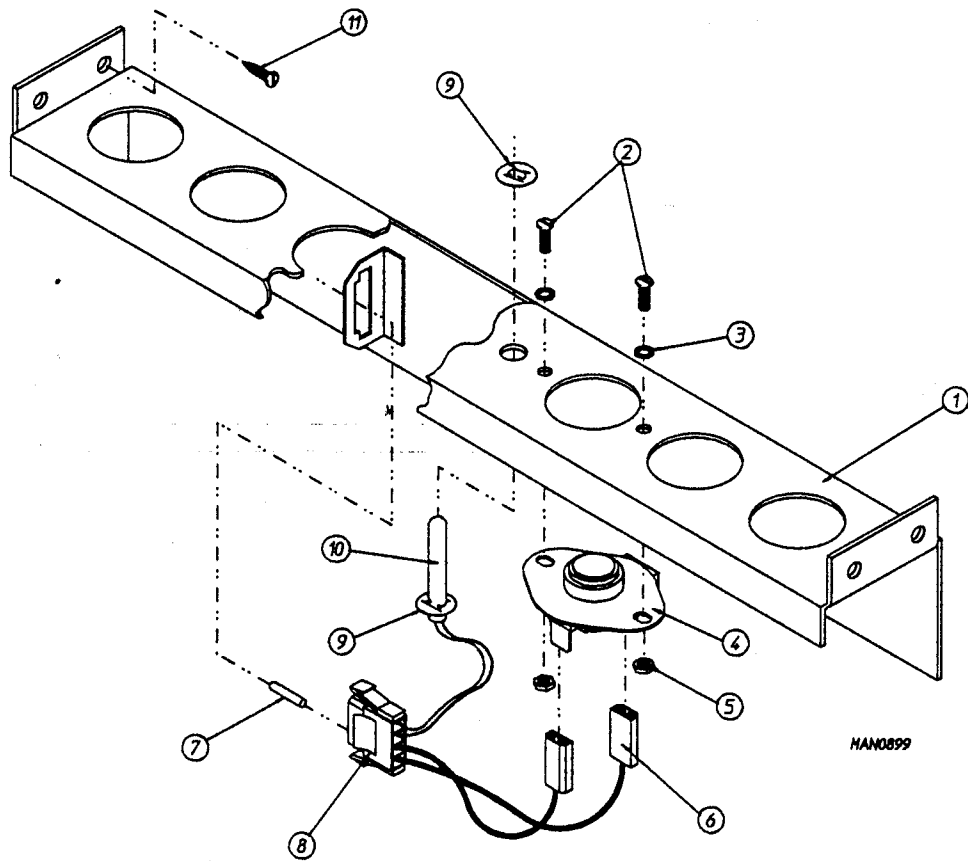
* Specify color when ordering.



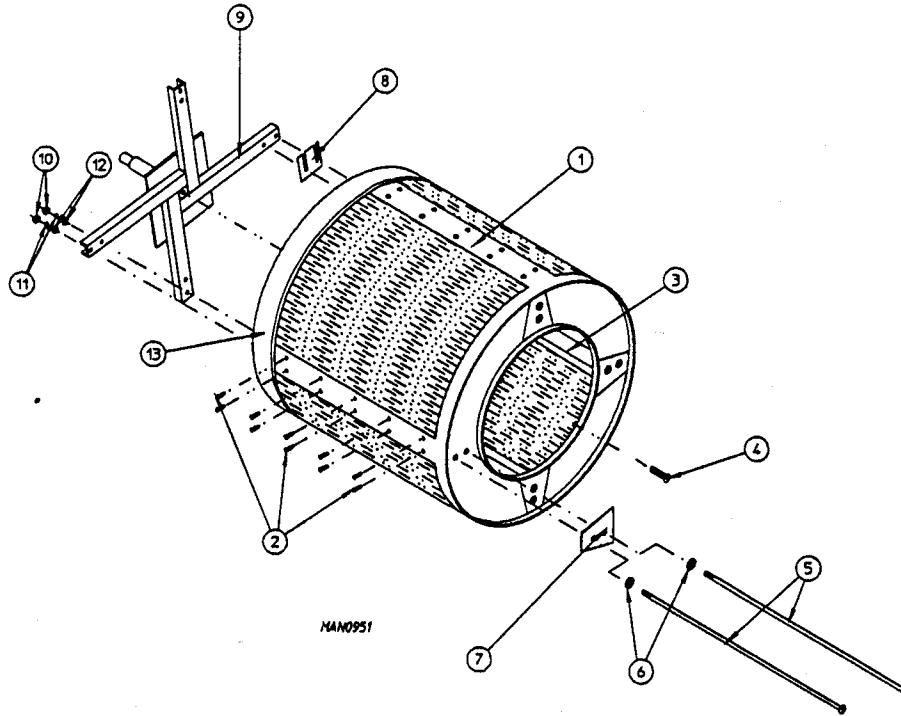
MAN0436

Illus. No.	Part No.	Qty.	Description
1	820955	1	AD-170 Lint Drawer Assembly Complete (includes illus. nos. 1 and 2)
2	117602	5	Noise Suppressor Tape (sold in feet)
3	820925	1	AD-170 Lint Screen Assembly Only
4	122115	1	Lint Drawer Switch Only
5	122605	2	4-Pin Socket Connector Only
6	122701	8	Socket Terminal Only
	122801	1	Pin/Socket Extraction Tool
7	800261	1	Lint Drawer Switch Switch Box Assembly Complete (includes illus. nos. 4 through 7)
	304034	1	Lint Drawer Switch Box Only
8	150301	4	#8-18 x 7/16" Phillips Pan Head Tek Screw
9	122700	8	Pin Terminal Only
10	122604	2	4-Pin Connector Only
11	150301	2	#8-18 x 7/16" Phillips Pan Head Tek Screw

* Specify Color When Ordering.



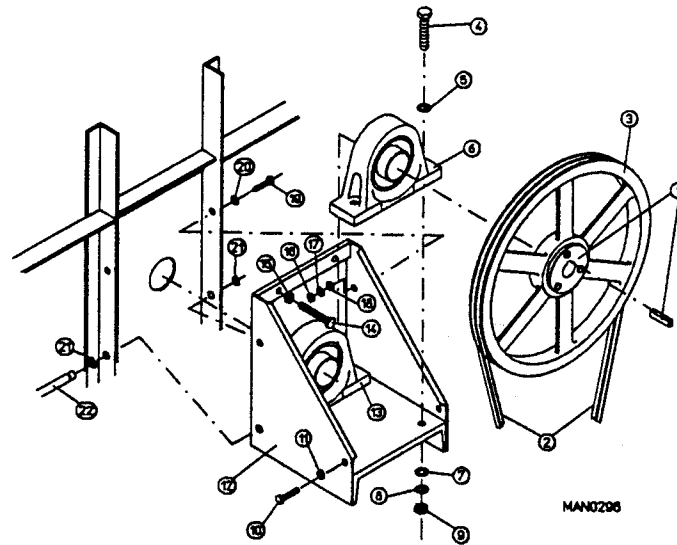
Illus. No.	Part No.	Qty.	Description
1	820967	1	Sensor Bracket Assembly
	820968	1	Sensor Bracket Assembly Complete (includes illus. nos. 1 through 10)
2	150000	2	#6-32 x 1/4" Slotted Round Head Machine Screw
3	153010	2	#6 Star Washer
4	130112	1	L-225 Thermostat
5	152000	2	#6-32 Hex Nut
6	121028	2	1/4" x .032 Insulated Terminal
7	122701	4	Sockets
8	122605	1	4-Pin Socket Connector (female)
9	154007	2	1/4" Push-On Fastener
10	880251	1	1/4" Temperature Sensor Probe
11	150301	4	#8-18 x 7/16" Phillips Pan Head Tek Screw



Illus. No.	Part No.	Qty.	Description
1	820979*	1	AD-170 Basket Only without Felt Collar
	820927	1	AD-170 Basket and Support Assembly Complete (includes illus. nos. 1 through 14)
2	150415	64	#10-16 x 1/2" Phillips Right-Hand Crimptite Screw
3	332140	4	AD-170 Basket Rib Only
4	150500	1	5/16-18 x 3/4" Socket Button Head Screw
5	100908	12	7/16-14 x 44" Tie Rod
6	153014	12	7/16" Flat Washer
7	332139	4	Basket Reinforcing Plate Only
8	332177	**	AD-170 Basket Shim Only
9	820909	1	AD-170 Basket Support Only
10	152009	12	7/16-14 Hex Nut
11	153013	12	7/16" Lock Washer
12	153014	12	7/16" Flat Washer
13	116007	1	Felt Collar Only
—	401010	1	#847 Adhesive for Felt Collar (5.0 oz Tube)

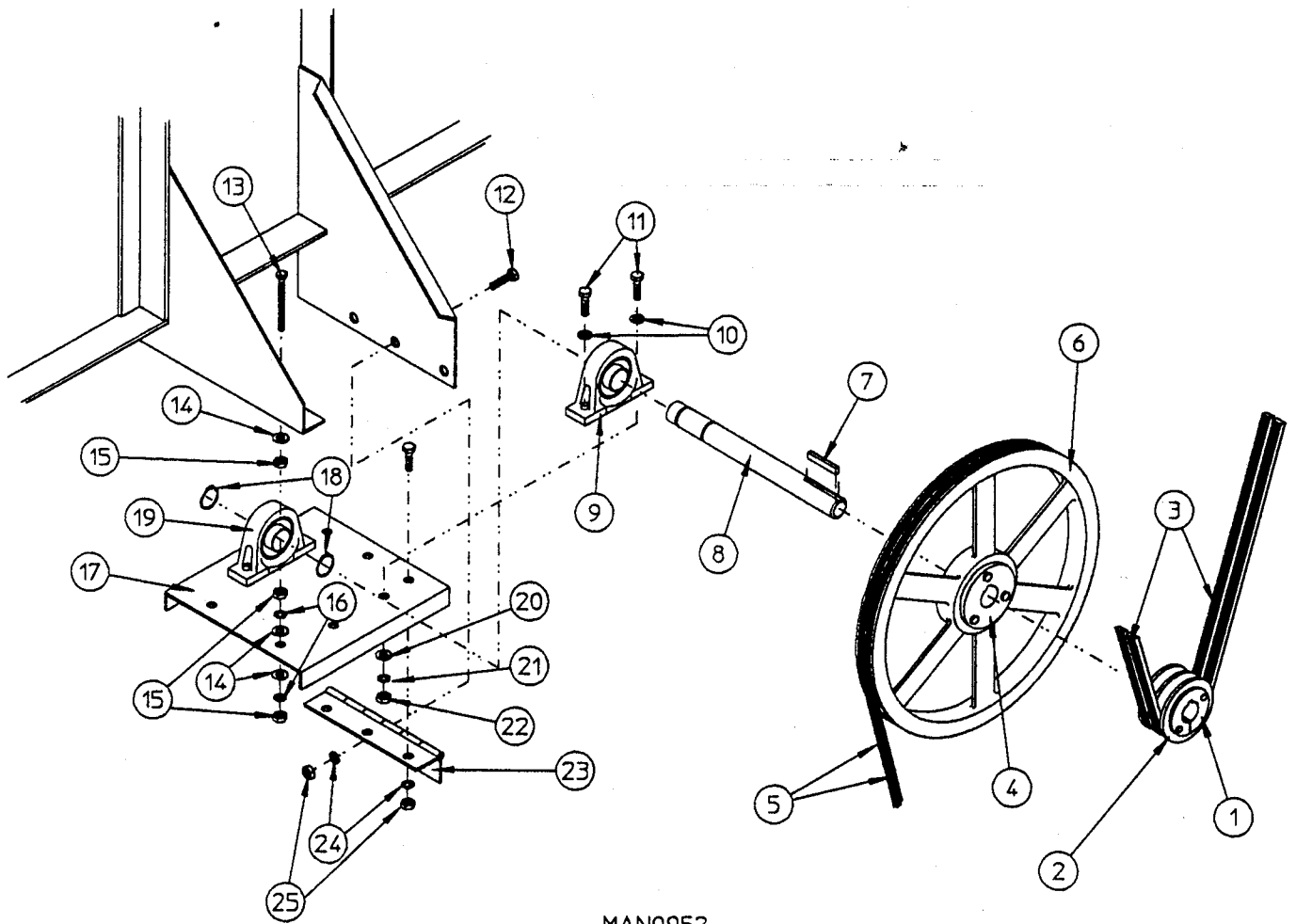
* Felt collar not included and must be ordered separately.

** As required.



Illus. No.	Part No.	Qty.	Description
1	101137	1	2-1/4" SFX Bushing
2*	100137	2	AB91 "V" Belt
3	101182	1	AD-170 25" Basket Pulley
4	150602	4	5/8-11 x 3" Hex Head Machine Bolt
5	153016	4	5/8" Flat Washer
6	100223	1	3 1/8" Pillow Block Bearing
7	153016	4	5/8" Flat Washer
8	153015	4	5/8" Lock Washer
9	152010	4	5/8-11 Hex Nut
10	150600	2	3/8-16 x 1-1/2" Hex Head Machine Bolt
11	152005	2	3/8-16 Hex Nut
12	820910	1	AD-170 Tumbler Bearing Mount Weldment
13	100223	1	3 1/8" Pillow Block Bearing
14	150603	2	1/2-13 x 3" Square Head Machine Bolt
15	152011	2	1/2-13 Hex Nut
16	152005	2	3/8-16 Hex Nut
17	153005	2	3/8" Lock Washer
18	153004	4	3/8" Flat Washer
19	150600	2	3/8-16 x 1-1/2" Hex Head Machine Bolt
20	153004	2	3/8" Flat Washer
21	100801	2	5/8" Retaining Ring
22	332153	1	AD-170 (5/8") Hinge Pin

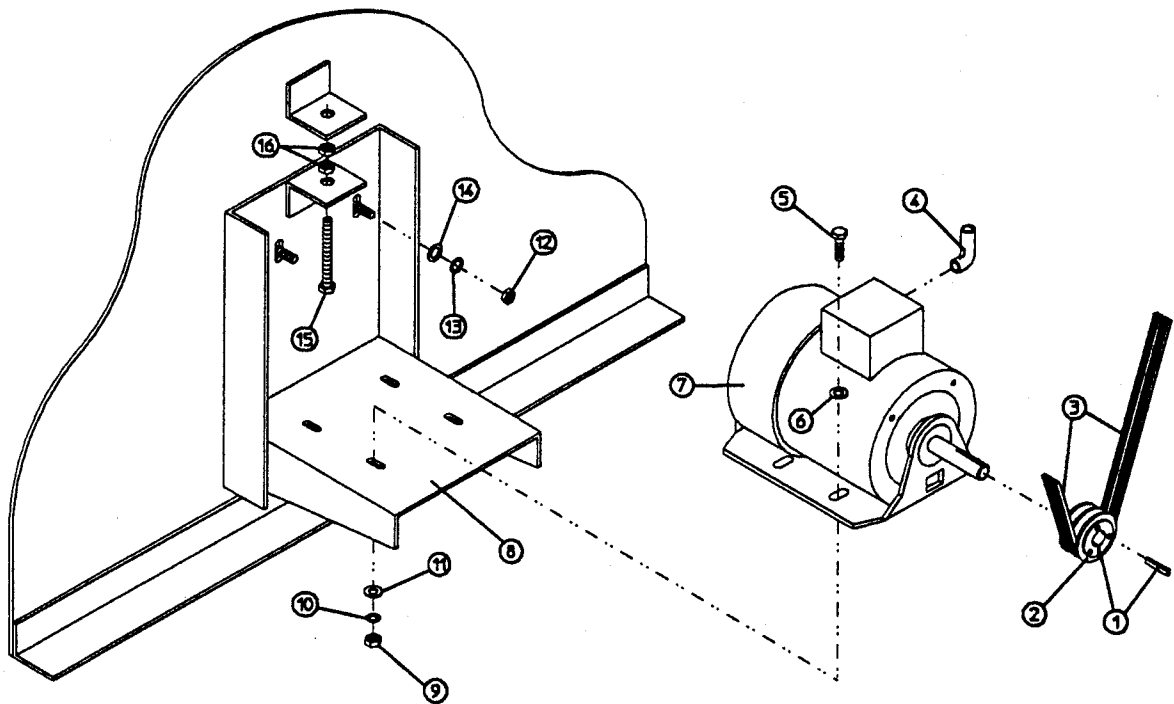
* Replace in match sets (both belts).



MAN0952

Illus. No.	Part No.	Qty.	Description
1	101152	1	SK x 1 3/8" Bushing
2	101113	1	2A3.0 Pulley
3*	100137	2	AB91 "V" Belt
4	101184	1	SK x 1 3/8" Bore Bushing
5*	100102	2	3V740 "V" Belt
6	101112	1	AD-170 19" Idler Pulley
7	100730	1	1/4" x 1/4" x 4-5/8" Key
8	332152	1	AD-170 Idler Shaft Only
9	100202	1	1 3/8" Pillow Block Bearing
10	153004	4	3/8" Flat Washer
11	150600	4	3/8-16 x 1-1/2" Hex Head Machine Bolt
12	150504	6	1/4-20 x 1/2" Hex Head Machine Bolt
13	150509	2	5/16-18 x 3" Hex Head Machine Bolt
14	153001	6	5/16" Flat Washer
15	152004	6	5/16-18 Hex Nut
16	153002	8	5/16" Lock Washer
17	820932	1	AD-170 Idler Bearing Mount Assembly Complete (includes illus. nos. 8 through 11 and 17 through 25)
	332151	1	AD-170 Idler Bearing Mount Only
18	100802	2	1 3/8" Retaining Ring
19	100202	1	3/8" Pillow Block Bearing
20	153004	4	3/8" Flat Washer
21	153005	4	3/8" Lock Washer
22	152005	4	3/8-16 Hex Nut
23	103005	1	AD-170 Idler Adjustment Hinge Only
24	153002	6	1/4" Lock Washer
25	152004	6	1/4-20 Hex Nut

* Replace in matched sets (both belts).



HAN0329

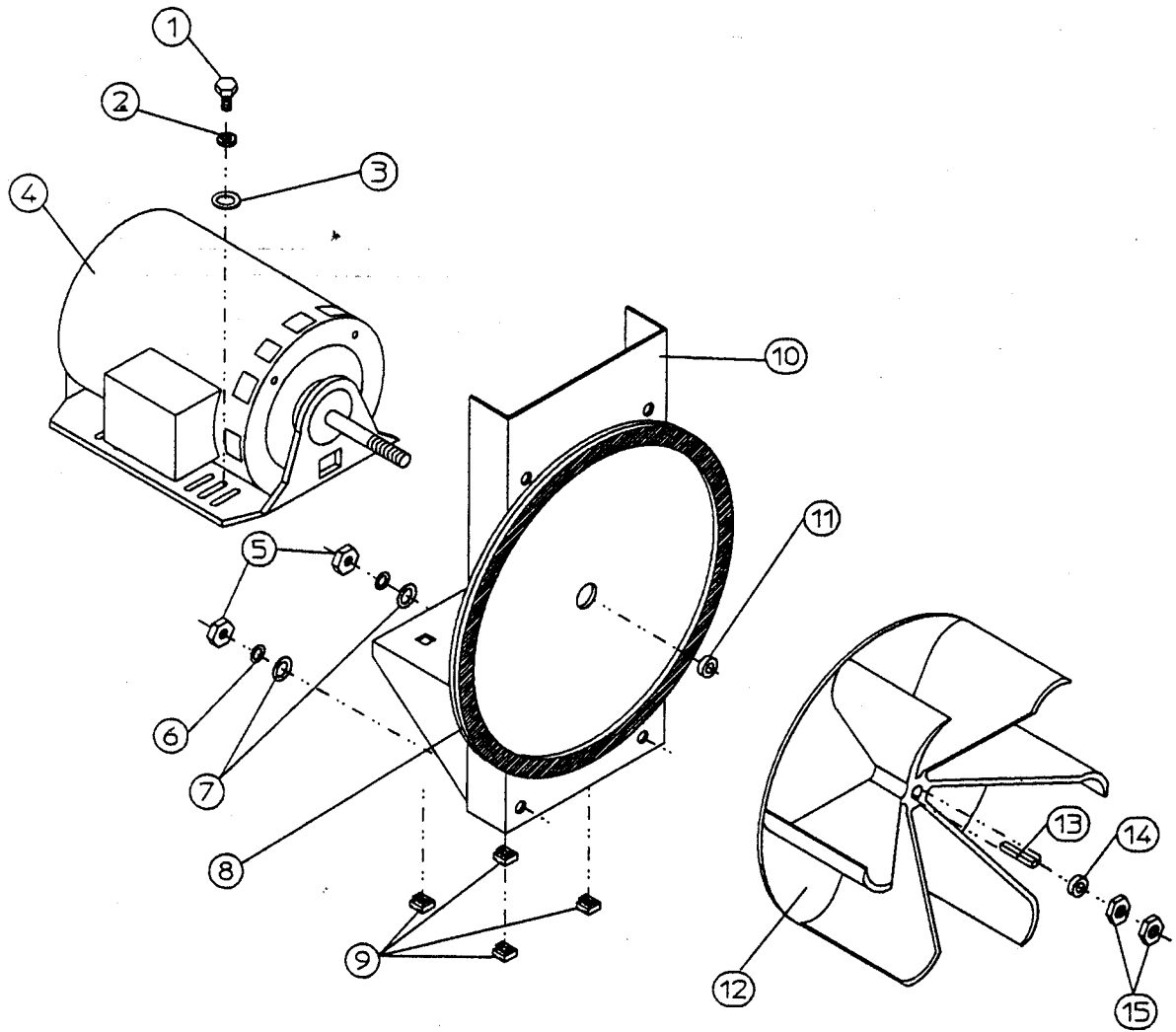
Illus. No.	Part No.	Qty.	Description
1	101121	1	5/8" SK Bushing
2	101114	1	2.65" Pulley (60Hz Only)
	101120	1	3.15" Pulley (50Hz Only)
3*	100102	2	3V740 "V" Belt
4	120200	1	3/8" x 90° Connector
5	150501	4	5/16-18 x 3/4" Hex Head Machine Bolt
6	153001	4	5/16" Flat Washer
7	100050	1	1 HP 208/230/380/460v 50/60Hz 3ø T.E.F.C. Motor (56Z frame)
8	800952	1	AD-170 Basket Motor Mount Only (56Z frame)
	820941**	1	AD-170 (50/60Hz) T.E.F.C. Basket Motor Mount Assembly Complete (includes illus. nos. 1 and 4 through 11)
			Note: Motor Pulley Must Be Ordered Separately
9	152004	4	5/16-18 Hex Nut
10	153002	4	5/16" Lock Washer
11	153001	4	5/16" Flat Washer
12	152004	4	5/16-18 Hex Nut
13	153002	4	5/16" Lock Washer
14	153001	4	5/16" Flat Washer
15	150619	1	3/8-16 x 3" Hex Head Machine Bolt
16	152005	2	3/8-16 Hex Nut

IMPORTANT: For voltages higher than 460v, contact the factory for correct part number of motor or motor mount assembly.

* Replace in matched sets (both belts).

** Specify voltage when ordering.

(For 60Hz Gas Only)



(For 60Hz Gas Only)

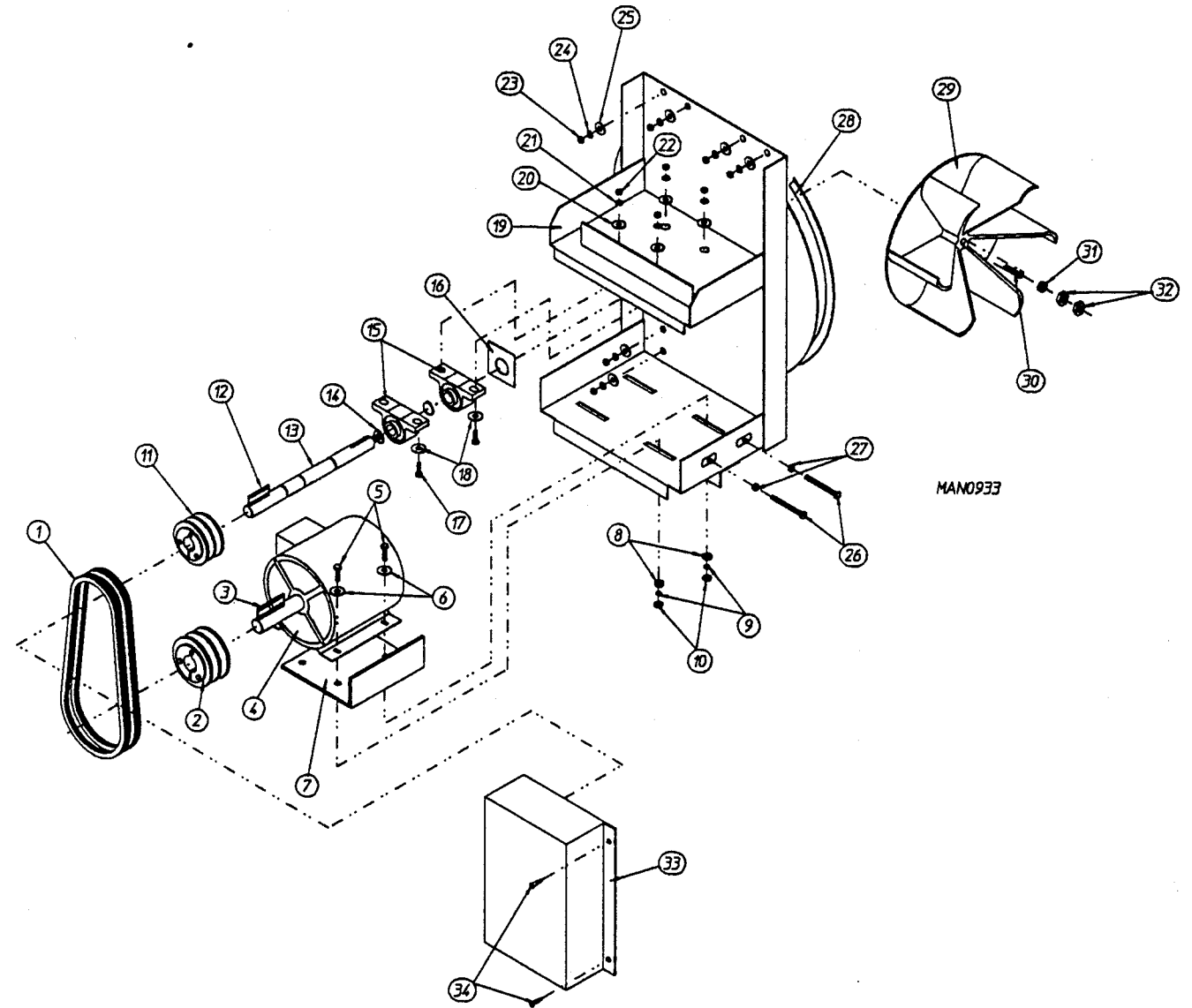
Illus. No.	Part No.	Qty.	Description
1	150501	4	5/16-18 x 3/4" Hex Head Machine Bolt
2	153002	4	5/16" Lock Washer
3	153001	4	5/16" Flat Washer
4*	100051	1	3HP 208/230/460v 50/60Hz 3ø Motor (56Z frame)
5	152004	4	5/16-18 Hex Nut
6	153002	4	5/16" Lock Washer
7	153001	4	5/16" Flat Washer
8	117600	4	Noise Suppressor Tape (sold in feet)
9	154000	4	5/16-18 Tinnerman Nut
10	820924	1	3HP Blower Motor Mount Assembly Only (56Z frame)
	820942*	1	3HP Blower Motor Mount Assembly Complete (includes illus. nos. 1 through 4, and 8 through 15)
11	153063	1	Motor Washer
12	100609	1	20" Aluminum Impellor
13	100703	1	1/2" x 1/2" x 2" Key
14	153063	**	5/8" Motor Washer
15	152006	2	1/2-20 Left-Hand Jam Nut

IMPORTANT: For voltages higher than 460 volts, contact the factory for correct part number of motor or motor mount assembly.

* Specify voltage when ordering.

** As required.

(60Hz Steam and 50Hz Gas Models Only)

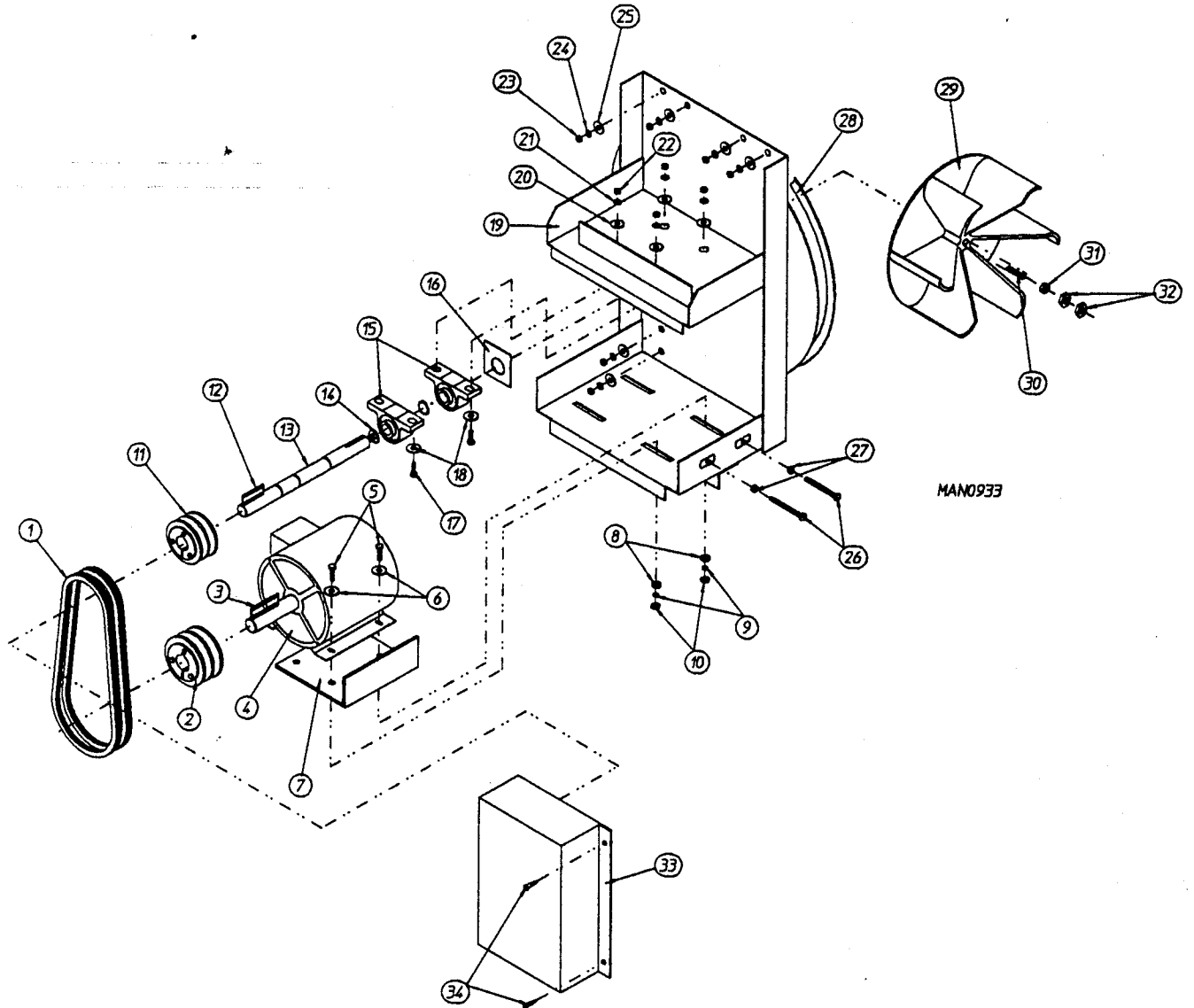


(60Hz Steam and 50Hz Gas Models Only)

Illus. No.	Part No.	Qty.	Description
1*	100118	1	5L310 V-Belt
2	101134	1	2B x 4.6 Motor Sheave
	101138	1	SDS x 1 1/8" Bushing
3	100704	1	1/4" x 1/4" x 1 3/4" Key
4	100045	1	5 Hp 230/460, 50/60 Hz 3Ph Motor
5	150617	4	3/8-16 x 1" HH Machine Bolt
6	153004	4	3/8" Flat Washer
7	332198	1	Motor Adjustment Bracket
8	153004	4	3/8" Flat Washer
9	153005	4	3/8" Lock Washer
10	152005	4	3/8-16 Hex Nut
11	101143	1	2B x 3.8 Sheave
	101152	1	SH x 1 3/8" Bushing
12	100706	1	5/16" x 5/16" x 1 3/8" Key
13	332195	1	Fan Shaft
14	100802	2	1 3/8" Retaining Ring
15	100202	2	1 3/8" Pillow Block Bearing
16	116014	1	2" x 2" Fan Shaft Gasket
17	150606	4	1/2-13 x 2" Hex Head Machine Bolt
18	153016	4	1/2" Flat Washer
19	820960	1	AD-170 Blower Motor Mount Only
	820981	1	ADS-170 60Hz/ ADG-170 50Hz Blower Motor Mount Assembly Complete (includes illus. nos. 1 through 22 and 26 through 34)
20	153016	4	1/2" Flat Washer
21	153026	4	1/2" Lock Washer
22	152011	4	1/2-13 Hex Nut
23	152005	8	3/8-16 Hex Nut
24	153005	8	3/8" Lock Washer
25	153004	8	3/8" Flat Washer
26	150609	2	1/2-13 x 4 1/2" Hex Head Machine Bolt
27	152011	2	1/2-13 Hex Nut
28	117600	6	Noise Suppression Tape
29	100609	1	20" Aluminum Impellor
30	100708	1	3/16" x 3/16" x 2 1/16" Key
31	153065	1	Fan Washer
32	152006	2	1/2-20 LH Jam Nut
33	820965	1	Belt Guard
34	150522	4	1/4-20 x 1" Hex Washer TEK Screw

* Replace in matched sets (both belts)

(50Hz Steam Only)

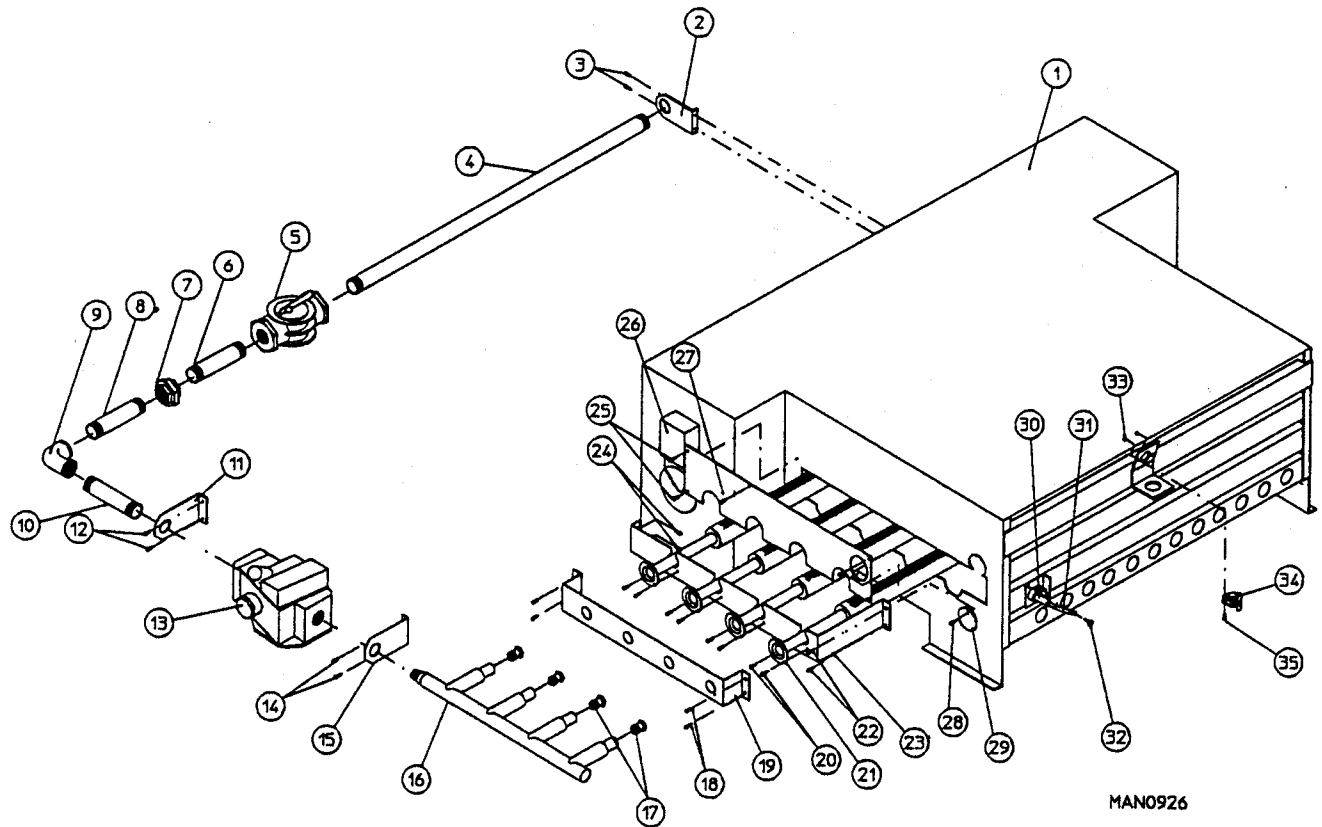


(50Hz Steam Only)

Illus. No.	Part No.	Qty.	Description
1*	100119	1	5L320 V-Belt
2	101135	1	2B x 5.4 Motor Sheave
	101138	1	SDS x 1 1/8" Bushing
3	100704	1	1/4" x 1/4" x 1 3/4" Key
4	100045	1	5 Hp 230/460, 50/60 Hz 3Ph Motor
5	150617	4	3/8-16 x 1" HH Machine Bolt
6	153004	4	3/8" Flat Washer
7	332198	1	Motor Adjustment Bracket
8	153004	4	3/8" Flat Washer
9	153005	4	3/8" Lock Washer
10	152005	4	3/8-16 Hex Nut
11	101143	1	2B x 3.8 Sheave
	101152	1	SH x 1 3/8" Bushing
12	100706	1	5/16" x 5/16" x 1 3/8" Key
13	332195	1	Fan Shaft
14	100802	2	1 3/8" Retaining Ring
15	100202	2	1 3/8" Pillow Block Bearing
16	116014	1	2" x 2" Fan Shaft Gasket
17	150606	4	1/2-13 x 2" Hex Head Machine Bolt
18	153016	4	1/2" Flat Washer
19	820960	1	AD-170 Blower Motor Mount Only
	820982	1	ADS-170 50Hz Blower Motor Mount Assembly Complete (includes illus. nos. 1 through 22 and 26 through 34)
20	153016	4	1/2" Flat Washer
21	153026	4	1/2" Lock Washer
22	152011	4	1/2-13 Hex Nut
23	152005	8	3/8-16 Hex Nut
24	153005	8	3/8" Lock Washer
25	153004	8	3/8" Flat Washer
26	150609	2	1/2-13 x 4 1/2" Hex Head Machine Bolt
27	152011	2	1/2-13 Hex Nut
28	117600	6	Noise Suppression Tape
29	100609	1	20" Aluminum Impellor
30	100708	1	3/16" x 3/16" x 2 1/16" Key
31	153065	1	Fan Washer
32	152006	2	1/2-20 LH Jam Nut
33	820965	1	Belt Guard
34	150522	4	1/4-20 x 1" Hex Washer TEK Screw

* Replace in matched sets (both belts)

For Gas Models Only



MAN0926

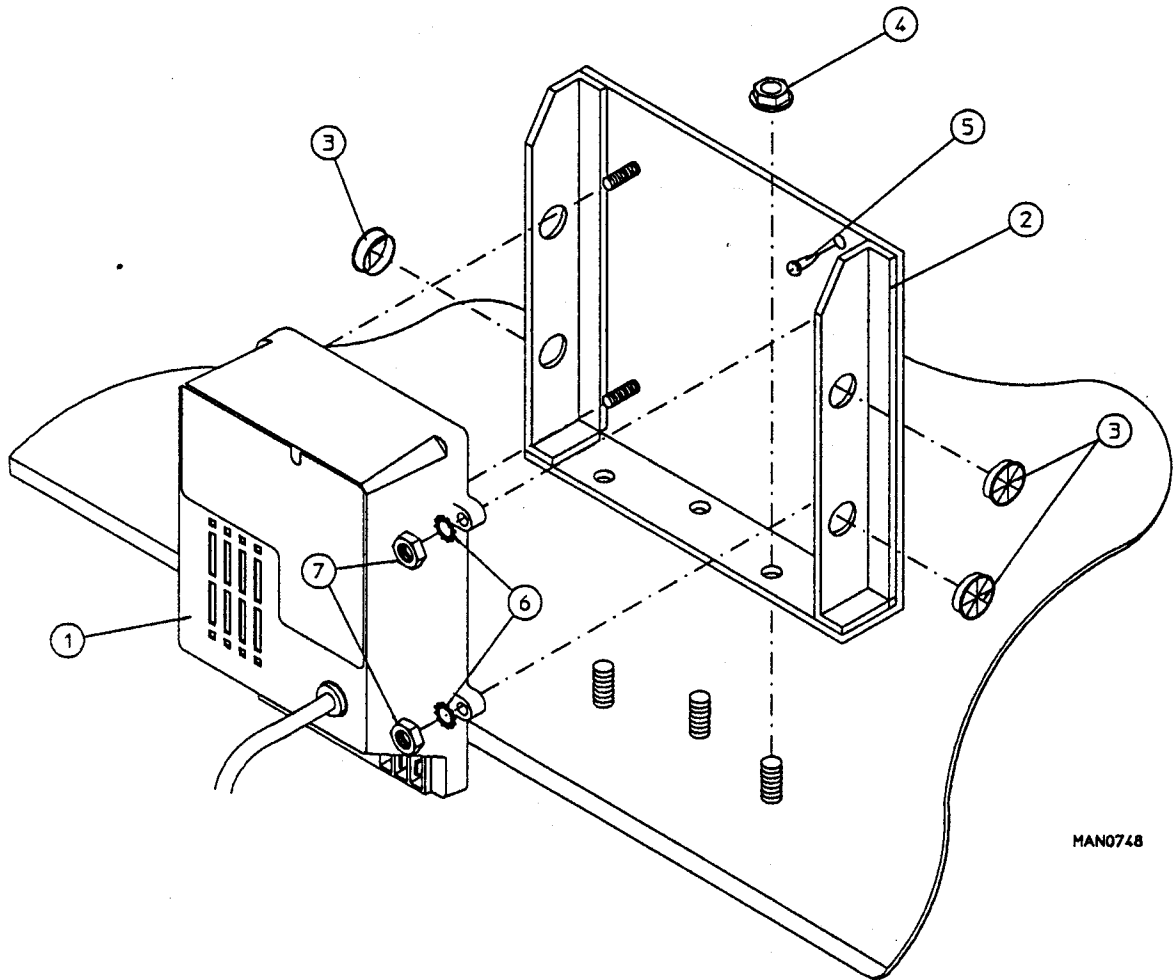
Illus. Nos.	Part No.	Qty.	Description
1	820988*	1	ADG-170 Natural Gas DSI Burner Assembly Complete less Orifices (includes illus. nos. 1 through 16, and 18 through 35)
	820989*	1	ADG-170 LP Gas DSI Burner Assembly Complete less Orifices (includes illus. nos. 1 through 16, and 18 through 35)
	820987	1	ADG-170 Burner Box Only
2	332117	1	ADG-170 Pipe Bracket
3	150415	2	#10-16 x 1/2" Phillips Right-Hand Crimpite Screw
4	142817	1	1" x 28 1/2" Pipe
5	141302	1	1" Union Shutoff
6	142711	1	1" Close Nipple
7	142602	1	1" Union
8	142711	1	1" Close Nipple
9	142548	1	1" x 90° Elbow
10	142581	1	1" x 5" Nipple

For Gas Models Only

Illus. No.	Part No.	Qty.	Description
11	332119	1	ADG-170 Gas Valve Pipe Bracket
12	150415	2	#10-16 x 1/2" Phillips Right-Hand Crimptite Screw
13	140017	1	DSI 1" 24VAC Redundant (natural gas) Gas Valve
	140018	1	1" 24VAC Gas Valve L.P. (liquid propane) Conversion Kit
14	150415	2	#10-16 x 1/2" Phillips Right-Hand Crimptite Screw
15	332119	1	ADG-170 Gas Valve Pipe Bracket
16	141240	1	4-Port Manifold
17**	140832	4	#4 Burner Orifice (natural gas) Only
	140819	4	#30 Burner Orifice (liquid propane gas) Only
18	150415	4	#10-16 x 1/2" Phillips Right-Hand Crimptite Screw
19	332114	1	ADG-170 Manifold Support Only
20	150415	8	#10-16 x 1/2" Phillips Right-Hand Crimptite Screw
21	141110	4	ADG-170 Burner Tube Only
22	150415	2	#10-16 x 1/2" Phillips Right-Hand Crimptite Screw
23	332121	1	ADG-170 Burner Tube Support Only
24	150415	2	#10-16 x 1/2" Phillips Right-Hand Crimptite Screw
25	150415	6	#10-16 x 1/2" Phillips Right-Hand Crimptite Screw
26	—	1	Sail Switch (see Sail Switch Assembly on page 25)
27	332113	1	ADG-170 Burner Box Cover Plate Only
28	150415	1	#10-16 x 1/2" Phillips Right-Hand Crimptite Screw
29	331290	1	ADG-170 Ignitor/Flame-Probe Sight Hole Disc Only
30	880325	1	ADG-170 Ignitor/Flame-Probe Assembly Kit (includes high voltage [HV] wire and connector)
	305410	1	DSI Ignitor Gap Feeler Gauge...Not Illustrated
31	880330	1	DSI Ignitor HV Wire/Connector Only
32	150415	2	#10-16 x 1/2" Phillips Right-Hand Crimptite Screw
33	151000	2	#6-32 Pal Nut
34	130401	1	330° Hi-Limit Only
35	150002	2	#6-32 x 1" Right-Hand Machine Screw
—	880743**	1	ADG-170 DSI L.P. Conversion Kit

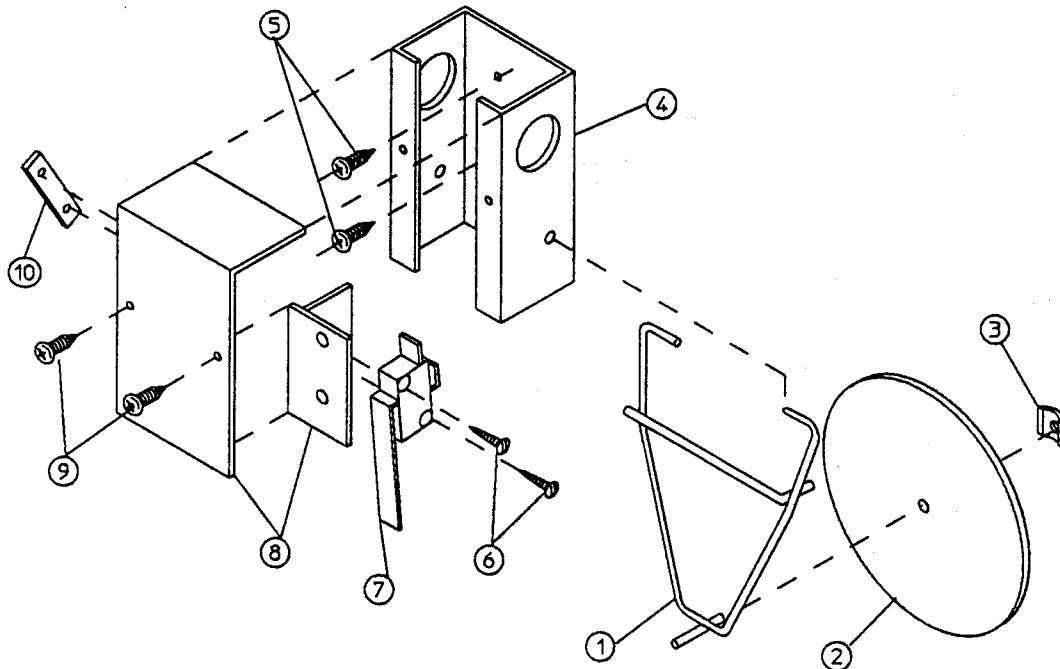
* Orifices not included and must be ordered separately.

** Consult factory for elevations over 2,000 feet.



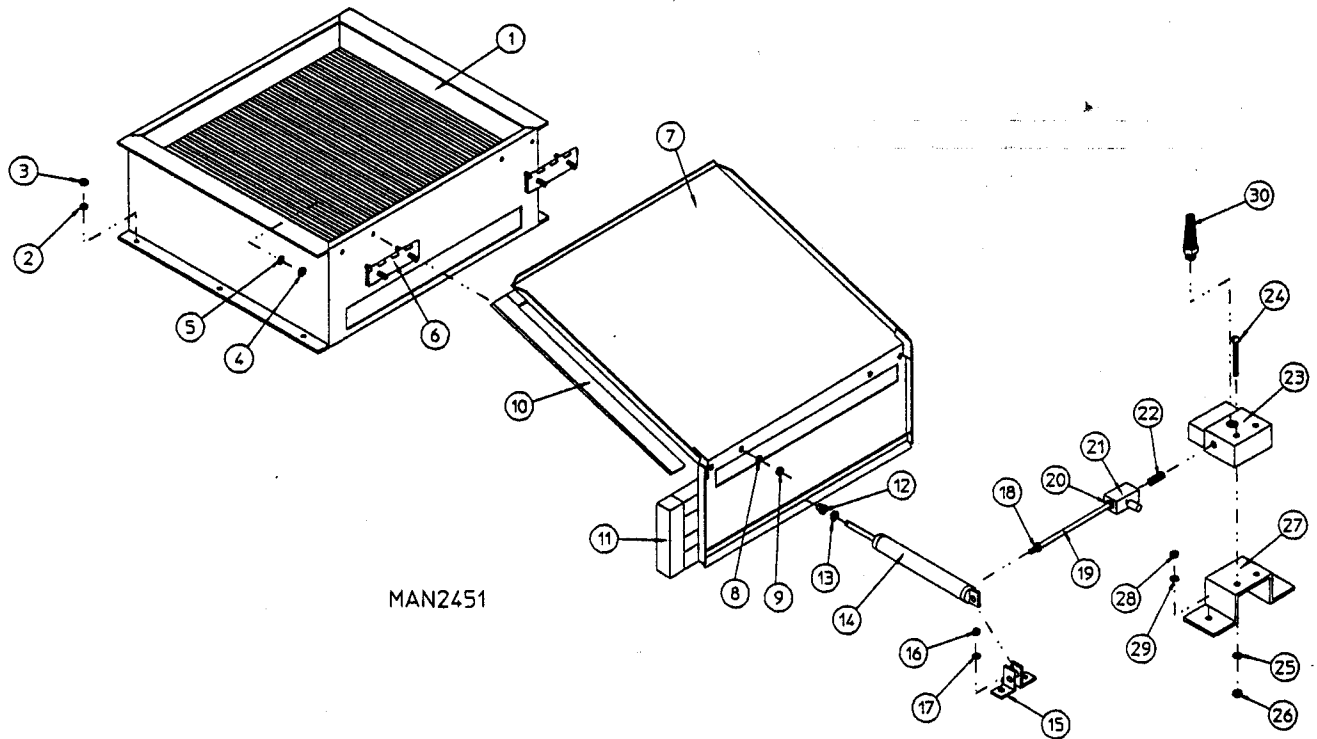
MAN0748

Illus. No.	Part No.	Qty.	Description
1	128926	1	DSI Module Only 50/60 Hz
2	820100	1	ADG-170 DSI Module Mount Assembly Only
3	121400	3	Universal Bushing
4	152014	3	1/4-20 Free Spin Wash Nut
5	150301	1	#8-18 x 7/16" Phillips Pan Head Tek Screw
6	153010	4	#6 Star Washer
7	152000	4	#6-32 Hex Nut



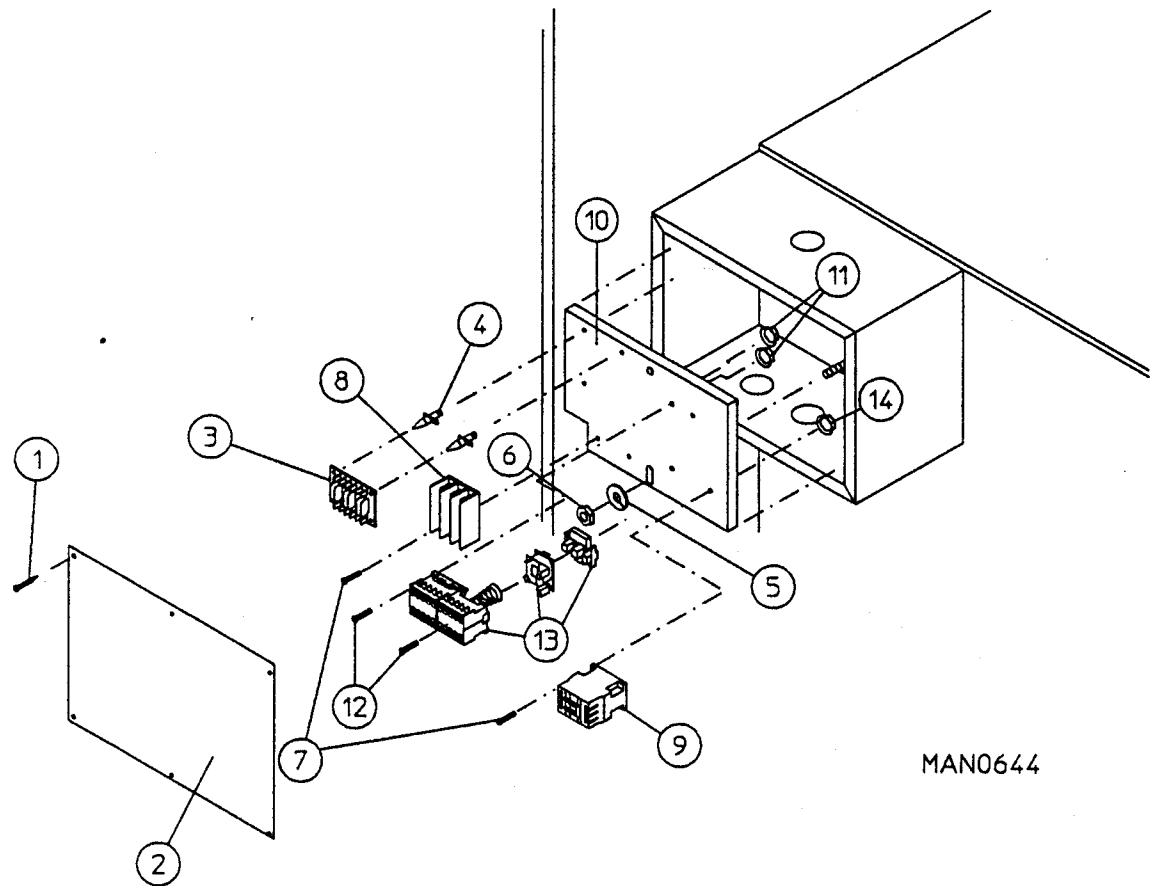
MAN0440

Illus. No.	Part No.	Qty.	Description
1	105500	1	Sail Switch Actuator Rod
2	319202	1	Sail Switch Damper (flat)
3	154002	1	1/8" Push-on Fastener
4	802800	1	Sail Switch Box with Cover and Bracket Only
	802801	1	Sail Switch Box Assembly Complete (includes illus. nos. 1 through 4 and 6 through 10)
5	150300	2	#10 x 1/2" Hex Washer Tek Screw
6	150303	2	#4 x 3/4" Pan Head "A" Machine Screw
7	122200	1	Sail Switch Only
8	802799	1	Sail Switch Box Cover and Bracket Only
9	150415	2	#10-16 x 1/2" Phillips Right-Hand Crimptite Screw
10	154004	1	Twin Speed Nut



Illus. No.	Part No.	Qty.	Description
1	165017	1	ADS-170 Steam Coil Assembly
2	153002	6	5/16" Lock Washer
3	152004	6	5/16-18 Hex Nut
4	152002	4	1/4-20 Hex Nut
5	153007	4	1/4" Lock washer
6	820321	2	ADS-170 Steam Damper Hinge Assembly
7	820994	1	ADS-170 Steam Damper Assembly (includes illus. nos. 7, 10, and 11)
8	153007	4	1/4" Lock Washer
9	152002	4	1/4-20 Hex Nut
10	115995	96"	ADS-170 Steam Damper Gasket (sold by the inch)
11	102350	2	ADS-170 Steam Damper Foam (68-1/2" length)
12	151007	1	7/16-20 Stainless Steel Acorn Nut
13	100499	1	1-1/2" Bore x 3" Stroke Piston (For models mfg. as of Febuary 21, 1991)
	100497	1	1-1/4" Bore x 3" Stroke Piston (For models mfg. prior to Febuary 21, 1991)
14	100500	1	Piston Support Bracket (For models mfg. as of Febuary 21, 1991)
	100492	1	Piston Support Bracket (For models mfg. prior to Febuary 21, 1991)
15	152002	4	1/4-20 Hex Nut
16	153007	4	1/4" Lock Washer
17	100472	1	1/4" x 1/8" Connector
18	143110	1	1/4" Tubing (sold in feet)
19	100472	1	1/4" x 1/8" Connector
20	100496	1	1/8" Needle Valve
21	143238	1	1/8" Close Nipple
22	100498	1	3-Way Micro Valve (24VAC)
23	150002	2	#6-32 x 1" Slotted Machine Screw
24	153010	2	#6 Star Washer
25	152000	2	#6-32 Hex Nut
26	330987	1	Micro Valve Support Bracket
27	152002	2	1/4-20 Hex Nut
28	153007	2	1/4" Lock Washer
29	100520	1	1/8" NPT Silencer (muffler)

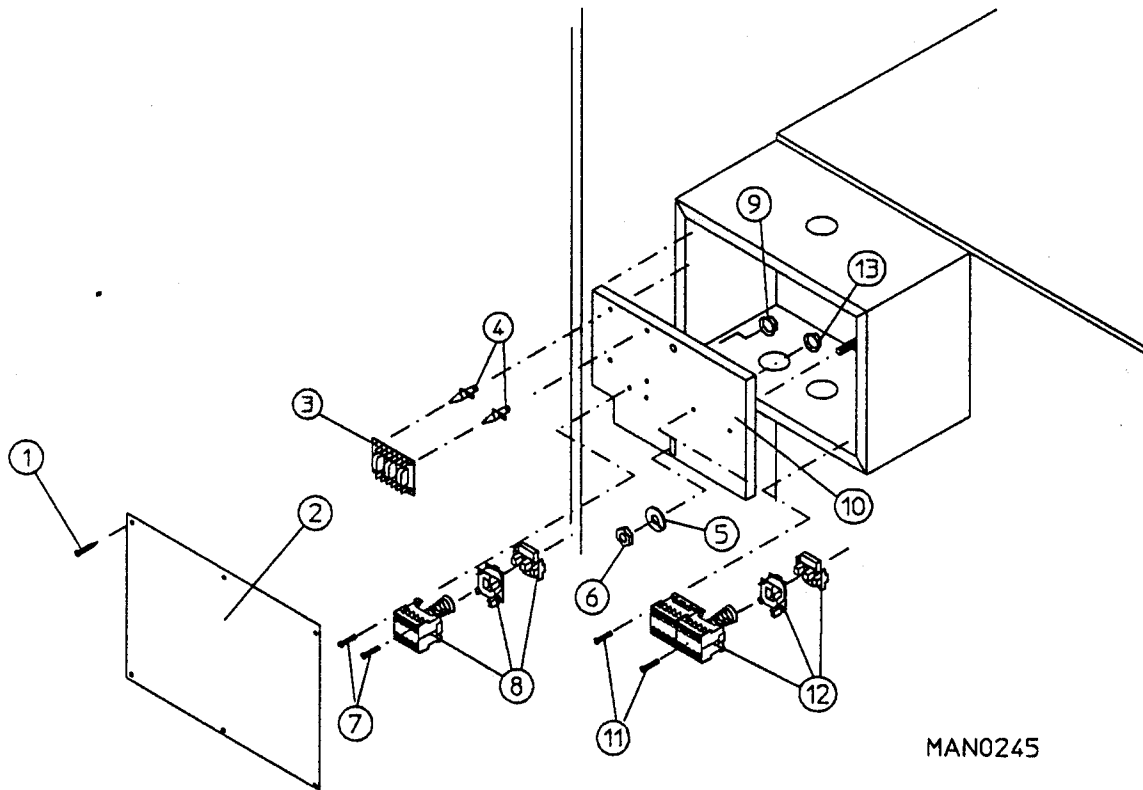
(For models mfg. as of June 21, 1991)



MAN0644

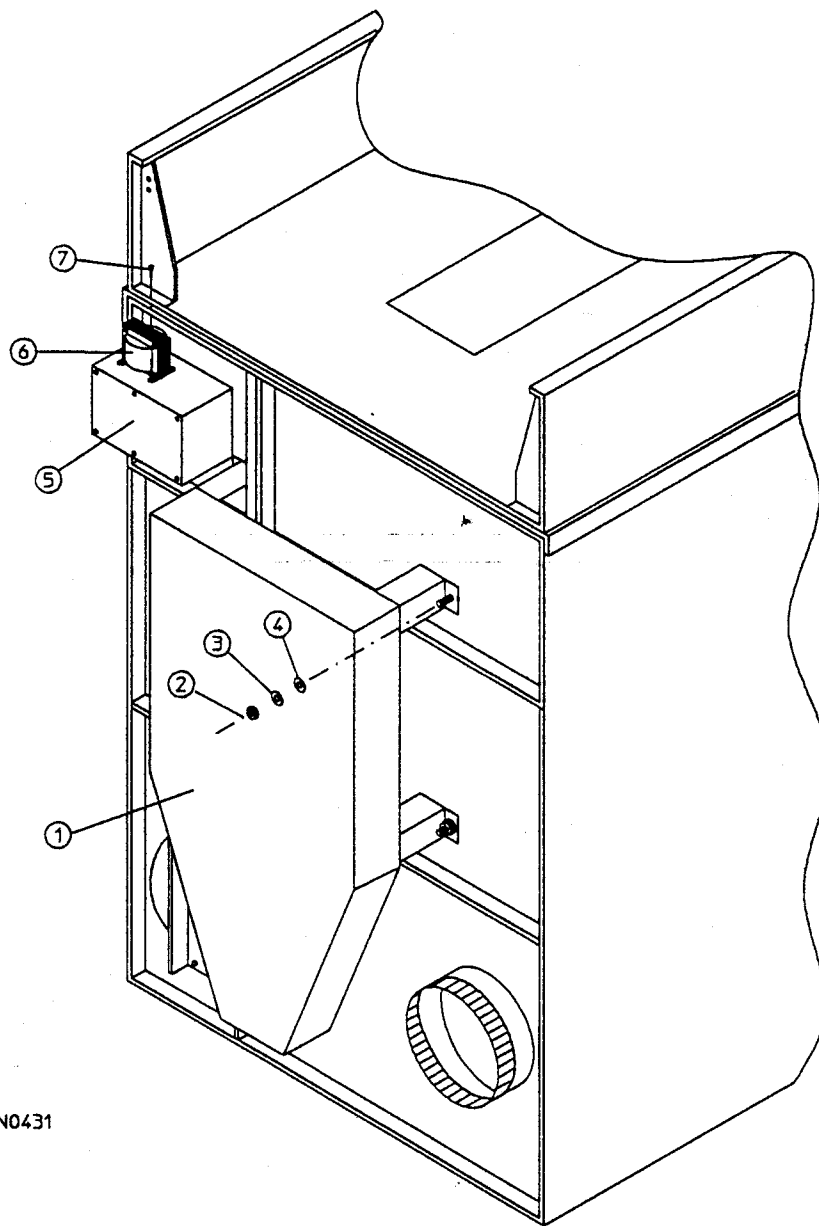
Illus. No.	Part No.	Qty	Description
1	150301	6	#8-18 x 7/16" Phillips Pan Head Tek Screw
2	322808	1	Control Box Cover Plate Only
3	137060	1	Arc Suppressor Board (3)
4	137013	4	Nylon Standoff
5	153002	1	5/16" Lock Washer
6	152004	1	5/16-18 Hex Nut
7	150108	4	#8-32 x 1/2" Pan Head Machine Screw
8	120704	1	3-Position Power Distribution Block
9	132445	1	Impellor (blower) Contactor
10	322807	1	Contactor Mounting Panel Only
11	151001	4	#8-32 Pal Nut
12	150108	4	#8-32 x 1/2" Pan Head Machine Screw
13	132431	1	Reversing Contactor (24 volt)
	132432	1	Contactor Replacement Coil (24 volt)
14	151001	4	#8-32 Pal Nut

(For models mfg. prior to June 21, 1991)



MAN0245

Illus. No.	Part No.	Qty	Description
1	150301	6	#8-18 x 7/16" Phillips Pan Head Tek Screw
2	322808	1	Control Box Cover Plate Only
3	137060	1	Arc Suppressor Board (3)
4	137013	4	Nylon Standoff
5	153002	1	5/16" Lock Washer
6	152004	1	5/16-18 Hex Nut
7	150108	4	#8-32 x 1/2" Pan Head Machine Screw
8	132430	1	Impellor Contactor (24 volt)
	132432	1	Impellor Contactor Replacement Coil (24 volt)
9	151001	4	#8-32 Pal Nut
10	322807	1	Contactor Mounting Panel Only
11	150108	4	#8-32 x 1/2" Pan Head Machine Screw
12	132431	1	Reversing Contactor (24 volt)
	132432	1	Contactor Replacement Coil (24 volt)
13	151001	4	#8-32 Pal Nut



MAN0431

Illus. No.	Part No.	Qty	Description
1	820908	1	AD-170 Back Guard Assembly (Gas Models Only)
	820978	1	AD-170 Back Guard Assembly (Steam Models Only)
2	152004	4	3/8-16 Hex Nut
3	153002	4	3/8" Lock Washer
4	153001	4	3/8" Flat Washer
5	322808	1	Control Box Cover Plate Only
6	132008	1	240-480 Volt / 120-240 Volt Stepdown Transformer (.25 KVA)
	132011	1	380-600 Volt / 115-230 Volt Stepdown Transformer (.25 KVA)
7	150300	4	#10 x 1/2" Hex Washer Tek Screw

Part No.	Description
112027	"Water Washed Fabrics" Label
112040	"Lint Compartment" Label
112041	"Caution-Exhausted" Label
112090	"Phase 4 OPL Program Location Summary" Label
117505	Aluminum Duct Tape (sold in feet)
120100	3/8" Straight (BX) Connector
120300	3/8" x 45° (BX) Connector
120400	3/8" Red Jacket (BX) Insulator
120500	3/8" Jiffy Clip (BX Retainer Clip)
120600	3/8" Greenfield (BX)
120800	1/4" In-Line Connector
120802	Red Butt Connector
120902	#74B Wire Nut
120903	Crimp-on Wire Nut
121014	1/4" Insulated (female) Terminal
121499	4" Harness Tie
121500	7" Harness Tie
121503	Harness Tie Mounting Clip
122804	Manometer (water column test gauge)
880200	Electrical Terminal (assortment) Kit

ADC 450116 1 - 06/02/92-10 2 * 04/08/96-100

