



AD-170 Parts Manual

for models mfd. prior to October 7, 1994

Phase 5

American Dryer Corporation
88 Currant Road
Fall River MA 02720-4781
Telephone: (508) 678-9010 / Fax: (508) 678-9447
E-mail: service@amdry.com

Retain This Manual In A Safe Place For Future Reference

American Dryer Corporation products embody advanced concepts in engineering, design, and safety. If this product is properly maintained, it will provide many years of safe, efficient, and trouble-free operation.

ONLY properly licensed technicians should service this equipment.

OBSERVE ALL SAFETY PRECAUTIONS displayed on the equipment or specified in the installation/operator's manual included with the dryer.

WARNING: UNDER NO CIRCUMSTANCES should the door switch or the heat circuit devices ever be disabled.

WARNING: The dryer *must never* be operated with any of the back guards, outer tops, or service panels removed. PERSONAL INJURY or FIRE COULD RESULT.

We have tried to make this manual as complete as possible and hope you will find it useful. ADC reserves the right to make changes from time to time, without notice or obligation, in prices, specifications, colors, and material, and to change or discontinue models.

Important

For your convenience, log the following information:

DATE OF PURCHASE _____ MODEL NO. **AD-170**
DISTRIBUTORS NAME _____
Serial Number(s) _____

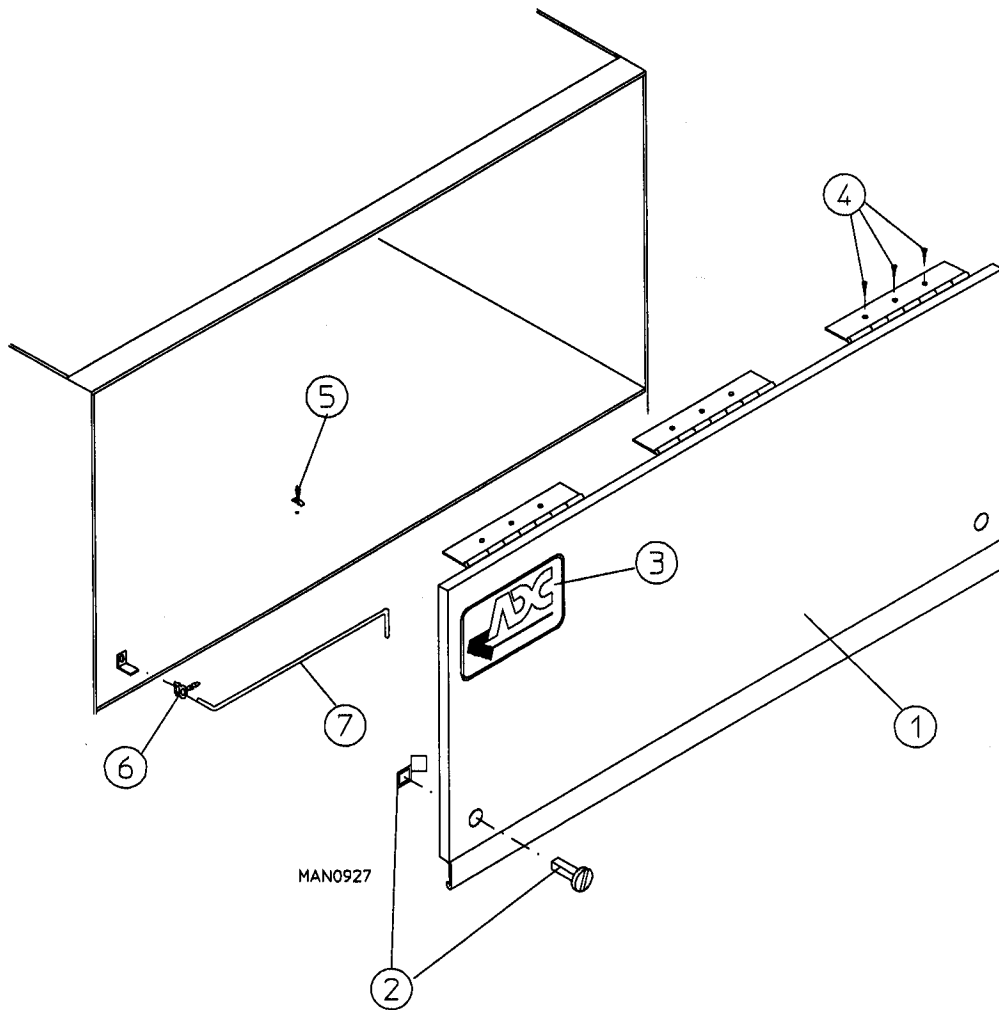
Replacement parts can be obtained from your distributor or the ADC factory. When ordering replacement parts from the factory, you can FAX your order to ADC at (508) 678-9447 or telephone your orders directly to the ADC Parts Department at (508) 678-9010. Please specify the dryer **model number** and **serial number** in addition to the **description** and **part number**, so that your order is processed accurately and promptly.

The illustrations on the following pages may not depict your particular dryer exactly. The illustrations are a composite of the various dryer models. Be sure to check the descriptions of the parts thoroughly before ordering.

INSTRUCTIONS TO BE FOLLOWED IN THE EVENT THE USER SMELLS GAS MUST BE POSTED IN A PROMINENT LOCATION. THE INSTRUCTIONS TO BE POSTED SHALL BE OBTAINED FROM THE LOCAL GAS SUPPLIER.

Table of Contents

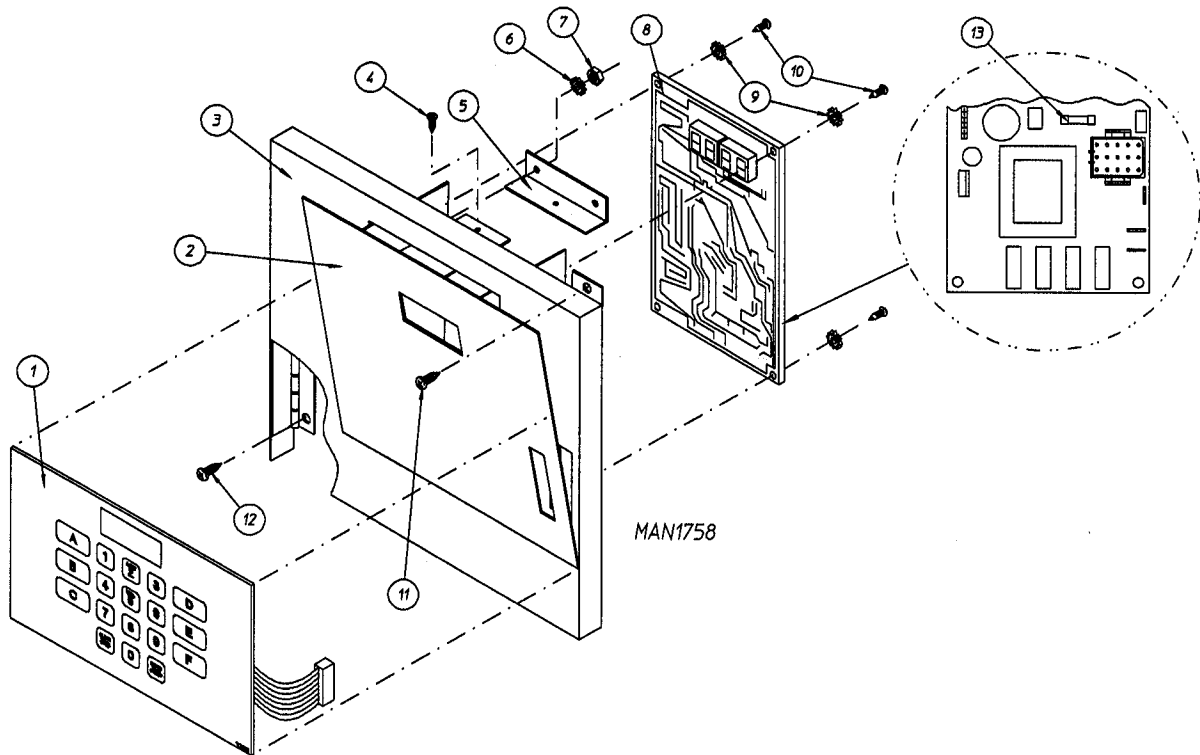
AD-170 Control Door Assembly	2
AD-170 Microprocessor Control Panel Assembly	3
AD-170 Single Timer Control Panel Assembly	4
AD-170 Control Box Assembly	5
Front Panel/Main Door Assemblies	6, 7
Main Door Switch Assembly	8
AD-170 Drop Lint Door Assembly	9
AD-170 Lint Drawer/Lint Drawer Switch Box Assemblies	10
AD-170 Basket (Tumbler)/Support Assemblies	11
Tumbler Bearing Mount Assembly	12, 13
Idler Bearing Mount Assembly	14, 15
AD-170 Totally Enclosed, Fan-Cooled (T.E.F.C.) Basket (Tumbler) Motor Mount Assembly	16, 17
ADG-170 Blower Motor Mount Assembly	
for 60 Hz Gas Models ONLY	18, 19
AD-170 Blower Motor, Fan, and Shaft Assembly	
for 60 Hz Steam Models and 50 Hz Gas Models ONLY	20, 21
ADS-170 Blower Motor, Fan, and Shaft Assembly	
for 60 Hz Steam Models ONLY	22, 23
ADG-170 Direct Spark Ignition (DSI) Burner Assembly	24, 25
ADS-170 Steam Damper Assembly	26, 27
AD-170 Microprocessor Temperature Sensor Bracket Assembly	28
AD-170 Timer Temperature Sensor Bracket Assembly	29
ADG-170 Direct Spark Ignition (DSI) Module Mount Assembly	
for Gas Models ONLY	30
Sail Switch Assembly	31
AD-170 Microprocessor Reversing Contactor Control Box Assembly	32
AD-170 Timer Reversing Contactor Control Box Assembly	33
AD-170 Back Guard Assemblies	34
Additional Parts Available	35



Illus. No.	Part No.	Qty.	Description
1*	820944	1	ADG-170 Control Door Assembly Only (<i>for Gas Models ONLY</i>)
	820963	1	ADS-170 Short Control Door Only (<i>for Steam Models ONLY</i>)
2	160005	2	Spring Turn Latch (2-piece)
3	112360**	1	ADC Logo ONLY
	870011	1	Logo Double Tape Kit
4	150415	9	#10-16 x 1/2" Phillips Round Head Crimptite Screw
5	102600	1	Control Door Support Rod Catch
6	102601	1	Control Door Rod Retainer Clip
7	102505	1	AD-170 Control Door Support Rod

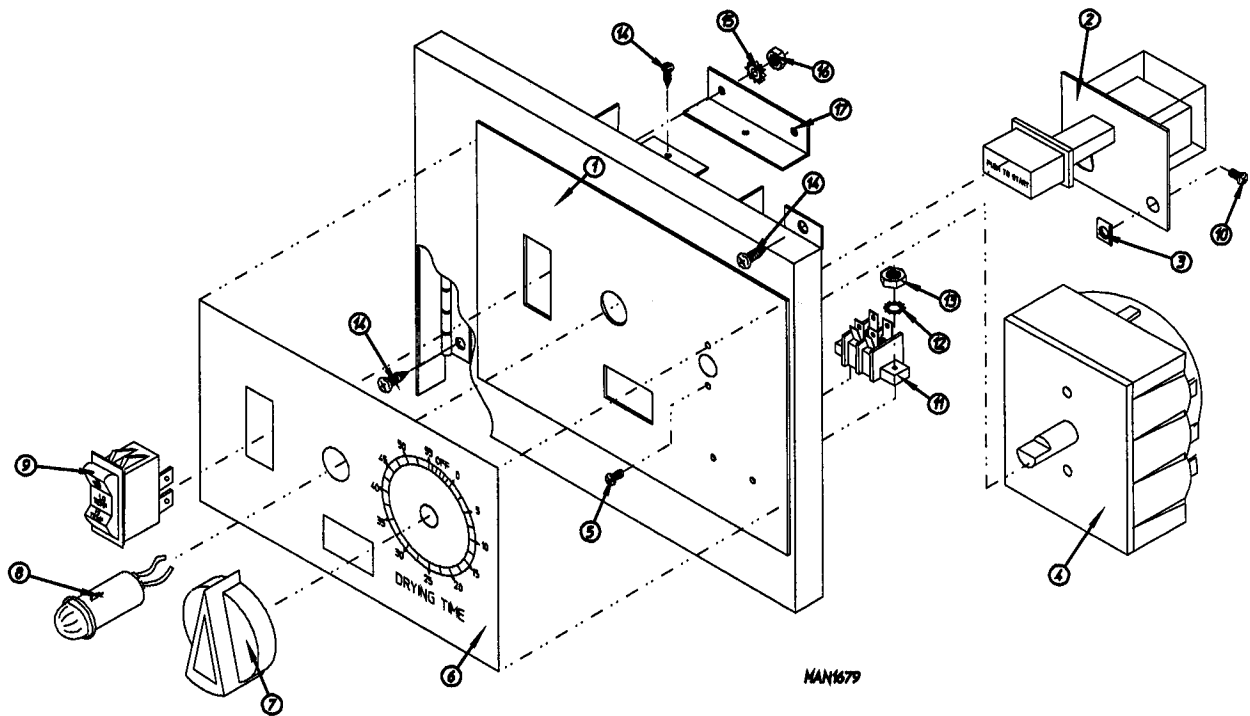
* Specify color when ordering.

** Logo Tape Kit not included and **must be ordered separately.**



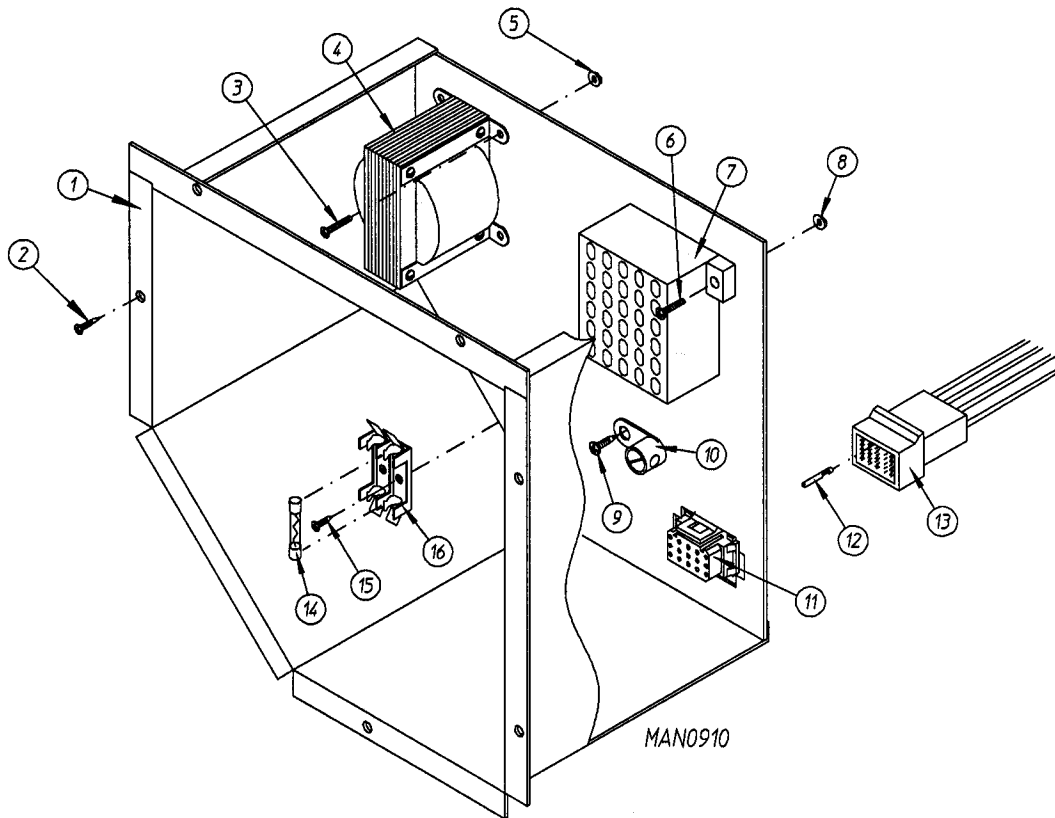
Illus. No.	Part No.	Qty.	Description
1	112535	1	OPL English Keyboard Label Assembly
	112276	1	OPL Stick-on Labels (English Only) ... Not Illustrated
	112275	1	OPL Stick-on Labels (Spanish, Italian, and Hebrew) ... Not Illustrated
	112277	1	3-Language OPL Stick-on Labels (English, Spanish, and Hebrew) ... Not Illustrated
	112278	1	5-Language OPL Stick-on Labels (Italian, Dutch, French, German, and Chinese) ... Not Illustrated
2	820935	1	AD-170 Swing Out Computer Drawer Complete (includes illus. nos. 1 through 10 and 13)
3	820912	1	AD-170 Control Box Door
4	150000	1	6-32 x 1/4" Slotted Round Head Screw
5	332200	1	AD-170 Computer Drawer Angle
6	153010	2	#6 Star Washer
7	152010	2	#6-32 Hex Nut
8	137231	1	Phase 5 OPL <u>Reversing</u> Microprocessor Controller ONLY
9	153010	4	#6 Star Washer
10	150005	4	6-32 x 1/4" Phillips Round Head Machine Screw
11	150000	1	6-32 x 1/4" Slotted Round Head Machine Screw
12	150000	3	6-32 x 1/4" Slotted Round Head Machine Screw
13	136048	1	1/8-Amp (Slo Blo) Fuse

IMPORTANT: Check label on computer chip to verify correct part number.

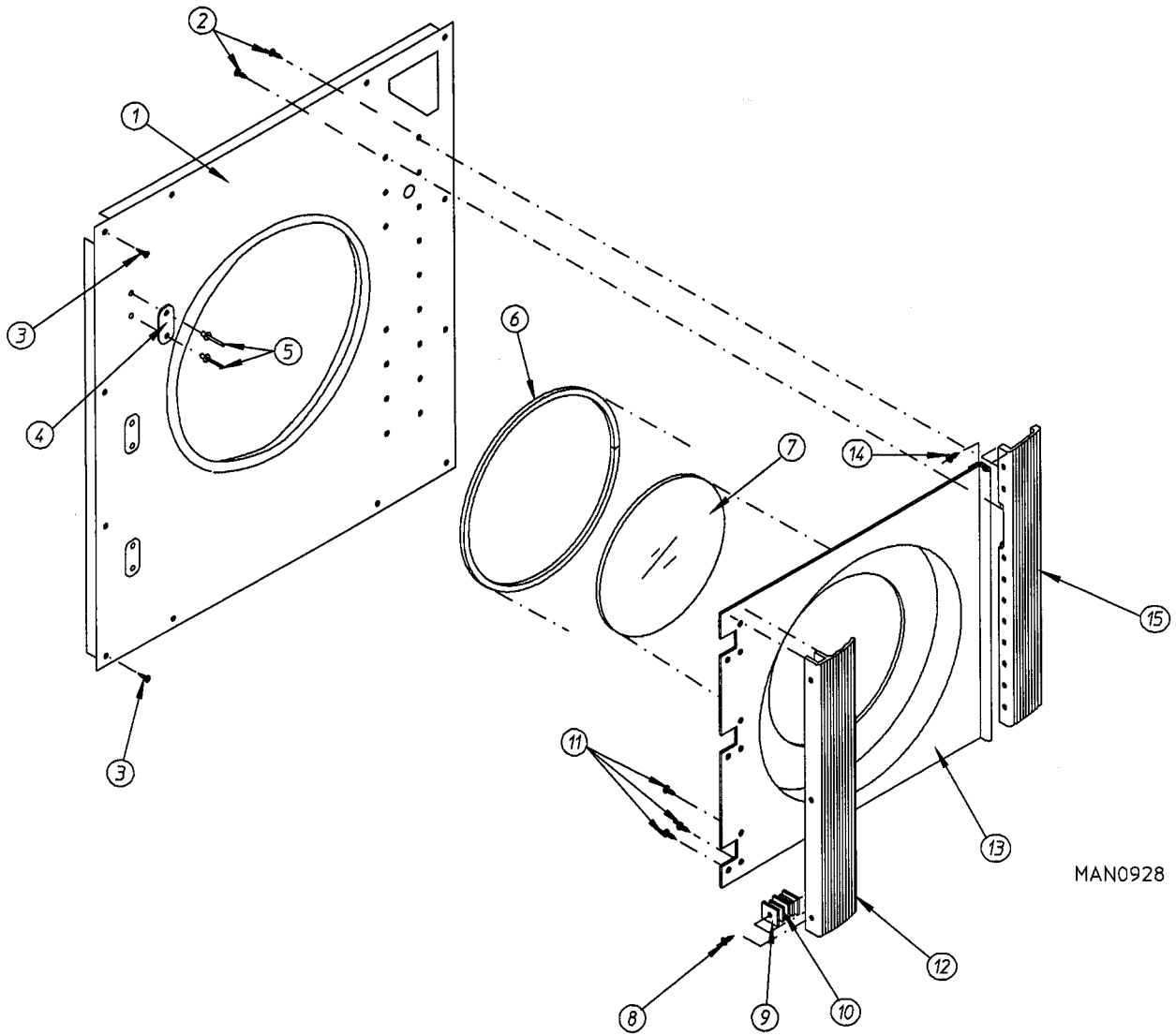


<u>Illus. No.</u>	<u>Part No.</u>	<u>Qty.</u>	<u>Description</u>
-------------------	-----------------	-------------	--------------------

1	880940	1	AD-170 Single Timer Control Panel Assembly Complete (includes illus. nos. 1 through 17)
	821015	1	AD-170 Single Timer Control Panel ONLY
2	131917	1	Push-to-Start Relay - 24 VAC
3	154001	2	#10-24 Speed Nut
4	124025	1	60 Minute Timer - 24 VAC
5	150110	2	#8-32 x 1/4" Phillips Round Head Screw
6	112048	1	Single Timer Label
7	124103	1	Arrow Timer Knob
8	123005	1	Red Light Indicator - 24 VAC
9	122400	1	Rocker Heat Selector Switch
10	150207	2	#10-24 x 1/2" Round Head Machine Screw
11	120707	1	Terminal Strip
12	153010	2	#6 Star Washer
13	152000	2	#6-32 Hex Nut
14	150301	5	#8-18 x 7/16" Phillips Pan Head TEK Screw
15	153012	2	#8 Star Washer
16	152001	2	#8-32 Hex Nut
17	332257	1	Single Timer Drawer Stop



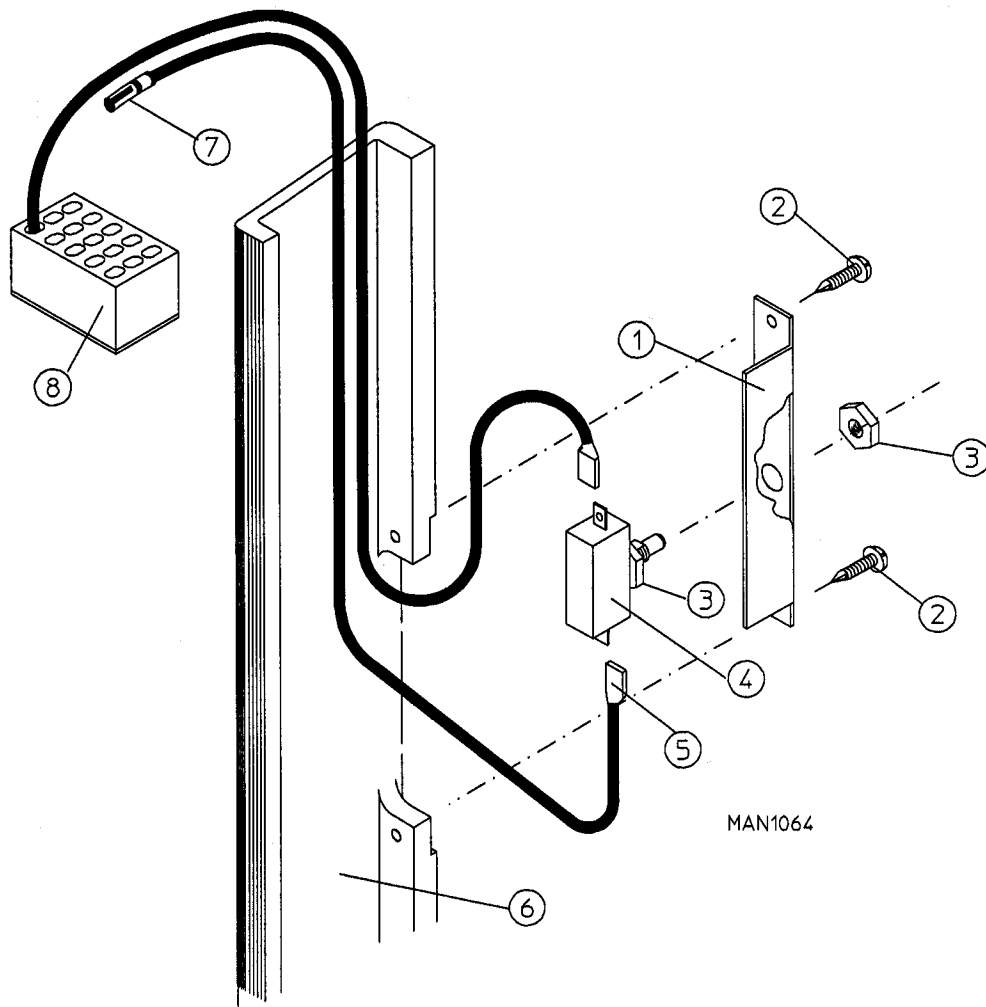
Illus. No.	Part No.	Qty.	Description
1	820940	1	AD-170 Control Box Assembly Complete (includes illus. nos. 1, 2, 6 through 10, 14, 15, and 16)
2	150301	6	#8-32 x 7/16" Phillips Round Head TEK Screw
3	150100	2	#8-32 x 1/2" Round Head Machine Screw
4	141403	1	24 VAC Transformer ONLY
5	151001	2	#8-32 Pal Nut
6	150002	2	#6-32 x 1" Round Head Machine Screw
7	120715	1	30-Position Terminal Block ONLY
8	151000	2	#6-32 Pal Nut
9	150415	1	#10-16 x 1/2" Phillips Round Head Crimpite Screw
10	121010	1	L-70 Ground Lug
11	122626	1	15-Pin Socket Connector ONLY
12	122704	14	Pin Terminal ONLY
13	122625	1	15-Pin Connector ONLY
14	136057	2	1/2-Amp (Slo Blo) Fuse
15	150301	1	#8-32 x 7/16" Phillips Round Head TEK Screw
16	136008	2	Fuse Block/Strip ONLY
---	122800	1	Microprocessor (female) Pin Extraction Tool
---	122801	1	Pin/Socket Extraction Tool



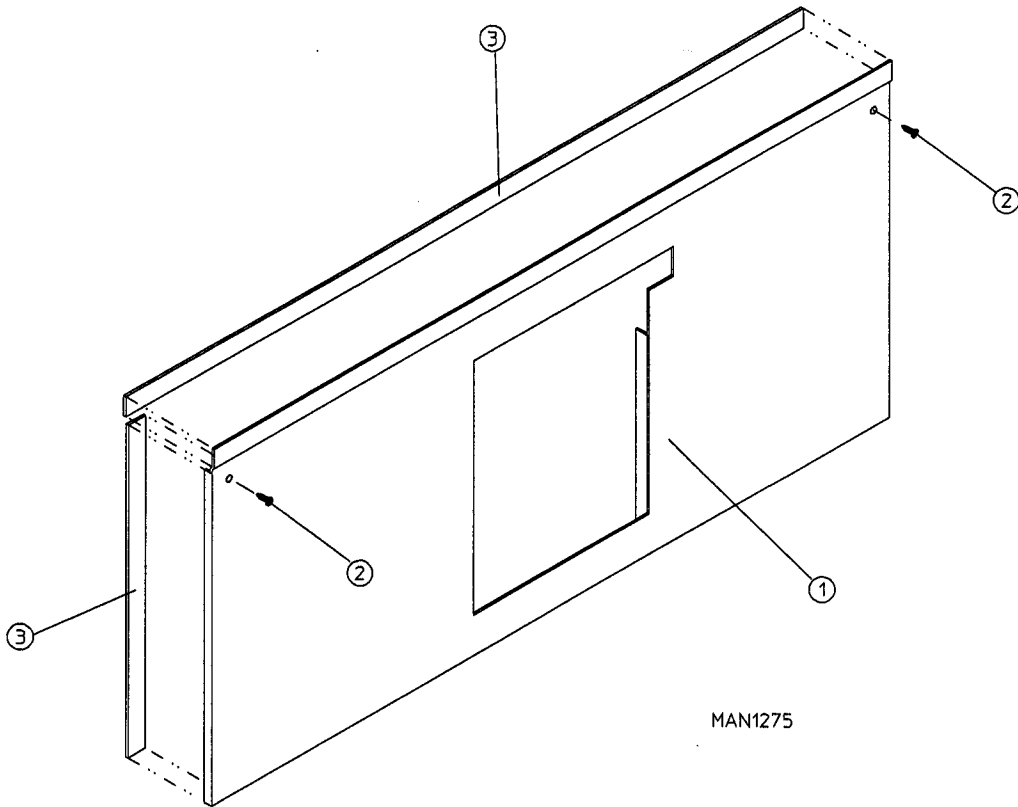
MAN0928

<u>Illus. No.</u>	<u>Part No.</u>	<u>Qty.</u>	<u>Description</u>
1*	820929	1	AD-170 Right Hand Front Panel Assembly (includes illus. nos. 1, 4, and 5)
2	150415	15	#10-16 x 1/2" Phillips Round Head Crimptite Screw
3	150412	12	#10-16 x 3/4" Phillips Round Head Crimptite Screw
4	170340	3	3-1/2" Stainless Steel Striker Pad
5	154200	6	5/32" Pop Rivet
6	102308	1	AD-170 Door Gasket ONLY (94" length)
7	102210	1	20-7/16" Door Glass ONLY
	170730	1	Door Glass Adhesive (10.3 oz cartridge)
8	150401	3	#10-24 x 1-1/4" Phillips Taptite Screw
9	306801	6	Magnet Keeper ONLY
10	102100	6	1" x 1" x 1/4" Main Door Magnet ONLY
11	150415	9	#10-16 x 1/2" Phillips Round Head Crimptite Screw
12	180151	1	35" Granite Main Door Handle ONLY (for models mfd. as of March 8, 1993)
	180150	1	35" Gray Main Door Handle ONLY (for models mfd. prior to March 8, 1993)
13	800265*	1	AD-170 Main Door Assembly Complete with Granite Handle (includes illus. nos. 6 through 13) For models mfd. as of March 8, 1993
	800127*	1	AD-170 Main Door Assembly Complete with Gray Handle (includes illus. nos. 6 through 13) For models mfd. prior to March 8, 1993
	800266	1	AD-170 Stainless Steel Main Door Assembly Complete with Granite Handle (includes illus. nos. 6 through 13) For models mfd. as of March 8, 1993
	800128	1	AD-170 Stainless Steel Main Door Assembly Complete with Gray Handle (includes illus. nos. 6 through 13) For models mfd. prior to March 8, 1993
	800122*	1	AD-170 Main Door Assembly with Glass and Gasket Only (includes illus. nos. 6, 7, and 13)
	800125	1	AD-170 Stainless Steel Main Door Assembly with Glass and Gasket Only (includes illus. nos. 6, 7, and 13)
14	150430	11	#10 x 1/2" Phillips Self Drilling Screw
15	180156	1	35" Granite Main Door Hinge Block ONLY (for models mfd. as of March 8, 1993)
	180155	1	35" Gray Main Door Hinge Block ONLY (for models mfd. prior to March 8, 1993)

* Specify color when ordering.

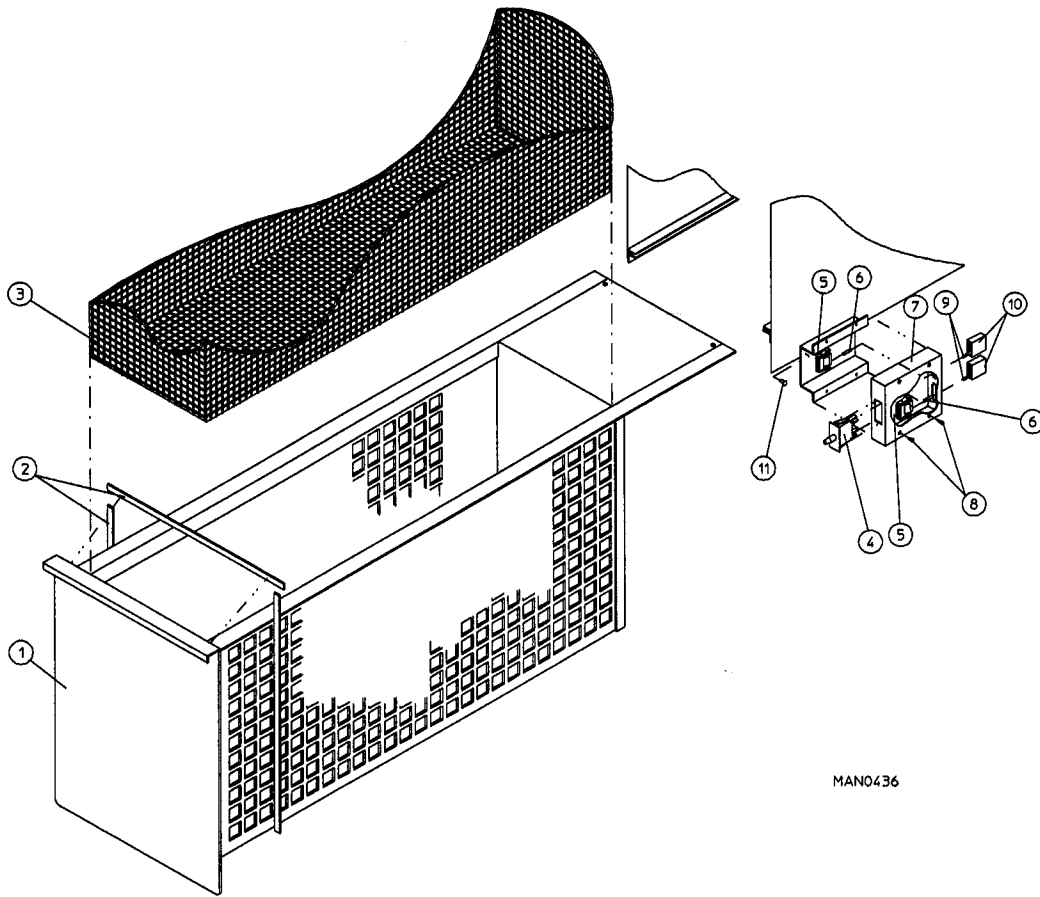


<u>Illus. No.</u>	<u>Part No.</u>	<u>Qty.</u>	<u>Description</u>
1	313208	1	Door Switch Bracket
2	150415	2	#10-16 x 1/2" Phillips Round Head Crimptite Screw
3	152003	2	3/8-32 x 1/2" x 1/16" Door Switch Nut
4	136995	1	Door Switch ONLY (for models mfd. as of June 26, 1992)
	137006	1	Door Switch ONLY (for models mfd. prior to June 26, 1992)
5	121028	2	1/4" x .032 Insulated Terminal
6	180156	1	35" Granite Main Door Hinge Block ONLY (for models mfd. as of March 8, 1993)
	180155	1	35" Gray Main Door Hinge Block ONLY (for models mfd. prior to March 8, 1993)
7	122705	2	Socket Mate to Split Pin
8	122626	1	15-Pin Cap Housing ONLY (M/L)



Illus. No.	Part No.	Qty.	Description
1*	820945	1	AD-170 Drop Lint Door Assembly (includes illus. nos. 1 and 3)
2	150415	5	#10-16 x 1/2" Phillips Round Head Crimptite Screw
3	117600	9	Noise Suppressor Tape (sold in feet)

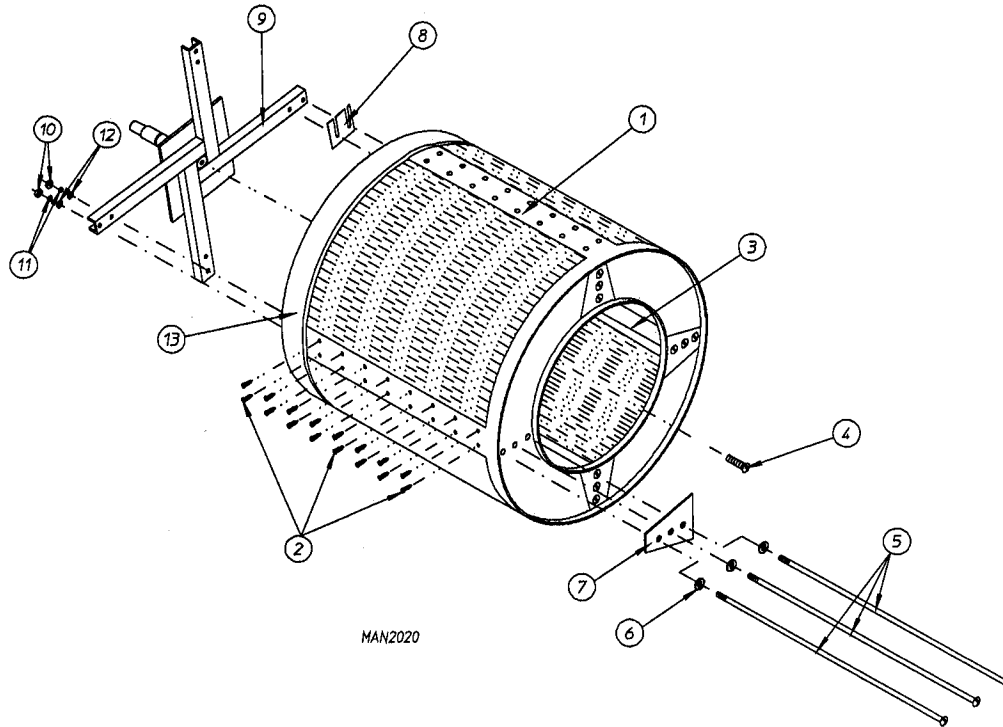
* Specify color when ordering.



MAN0436

Illus. No.	Part No.	Qty.	Description
1*	820955	1	AD-170 Lint Drawer Assembly Complete (includes illus. nos. 1 and 2)
2	117602	7	Noise Suppressor Tape (sold in feet)
3	820925	1	AD-170 Lint Screen Assembly ONLY
4	122116	1	Lint Drawer Switch ONLY
5	122605	2	4-Pin Socket Connector
6	122701	8	Socket Terminal ONLY
	122801	1	Pin/Socket Extraction Tool
7	800264	1	Lint Drawer Switch Box Assembly Complete (includes illus. nos. 4 through 7)
	304034	1	Lint Drawer Switch Box ONLY
8	150301	4	#8-18 x 7/16" Phillips Pan Head TEK Screw
9	122700	8	Pin Terminal ONLY
10	122604	2	4-Pin Connector
11	150301	2	#8-18 x 7/16" Phillips Pan Head TEK Screw

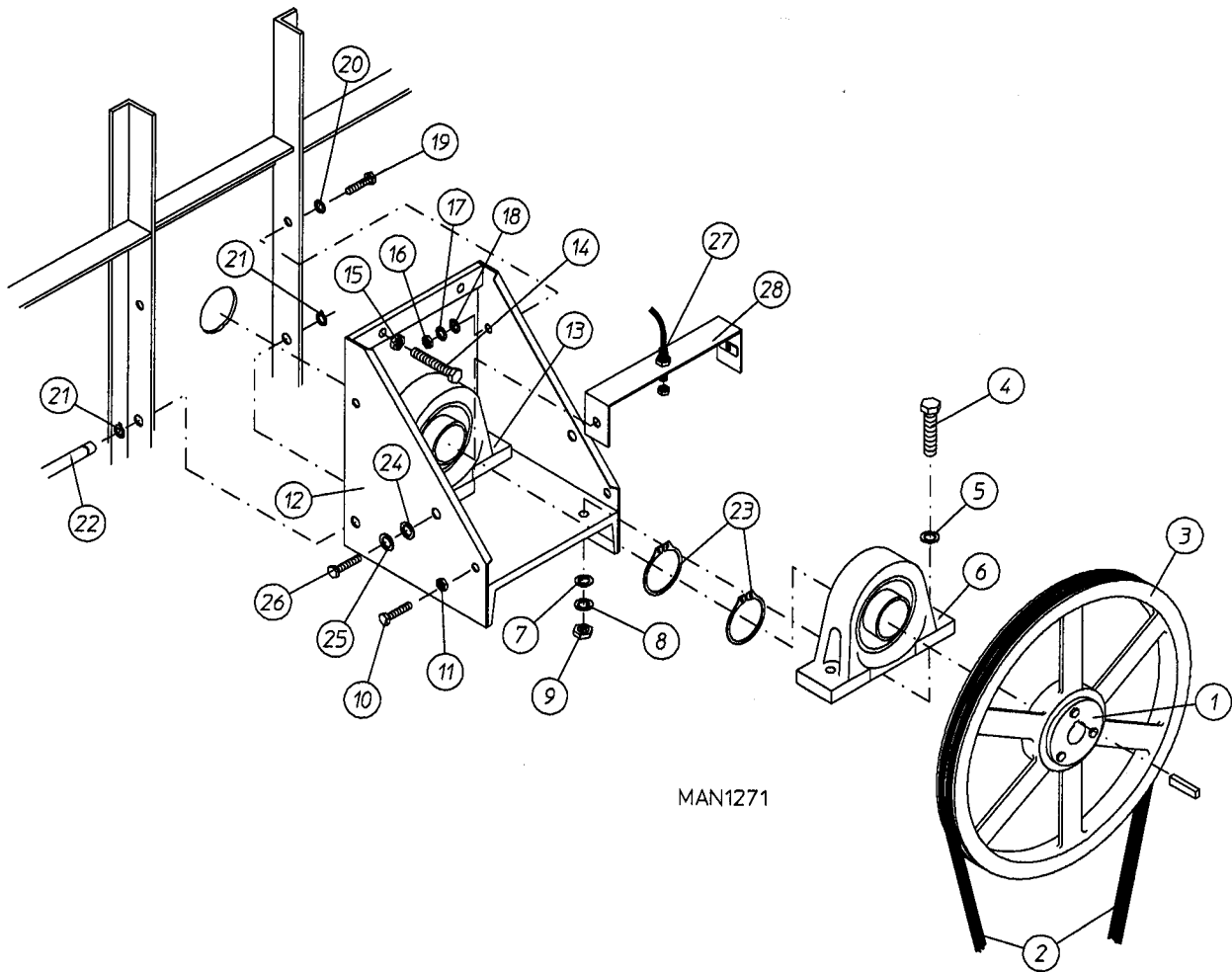
* Specify color when ordering.



Illus. No.	Part No.	Qty.	Description
1	820979*	1	AD-170 Basket (Tumbler) ONLY without Felt Collar
	821001	1	AD-170 Basket (Tumbler) and Support Assembly Complete (includes illus. nos. 1 through 13) For models mfd. as of March 1, 1993 <i>with</i> Rotational Sensor Option
	820927	1	AD-170 Basket (Tumbler) and Support Assembly Complete (includes illus. nos. 1 through 13) For models <i>without</i> Rotational Sensor Option
2	150415	64	#10-16 x 1/2" Phillips Round Head Crimptite Screw
3	332140	4	AD-170 Basket (Tumbler) Rib ONLY
4	150500	1	#5/16-18 x 3/4" Socket Button Head Screw
5	880967	12	#1/2-13 x 44" Tie Rod Kit with Hardware ONLY (includes 1 each ONLY of illus. nos. 5, 6, 10, and 11)
6	153011	12	9/16" Flat Washer
7	332139	4	Basket Reinforcing Plate ONLY
8	332177	**	AD-170 Basket (Tumbler) Shim ONLY
9	821000	1	AD-170 Basket (Tumbler) Support ONLY (for models mfd. as of March 1, 1993 <i>with</i> Rotational Sensor Option)
	820909	1	AD-170 Basket (Tumbler) Support ONLY (for models mfd. <i>without</i> Rotational Sensor Option)
10	152011	12	#1/2-13 Hex Nut
11	153026	12	1/2" Lock Washer
12	153014	12	7/16" Flat Washer
13	116007	1	Felt Collar ONLY
---	401010	1	#847 Adhesive for Felt Collar

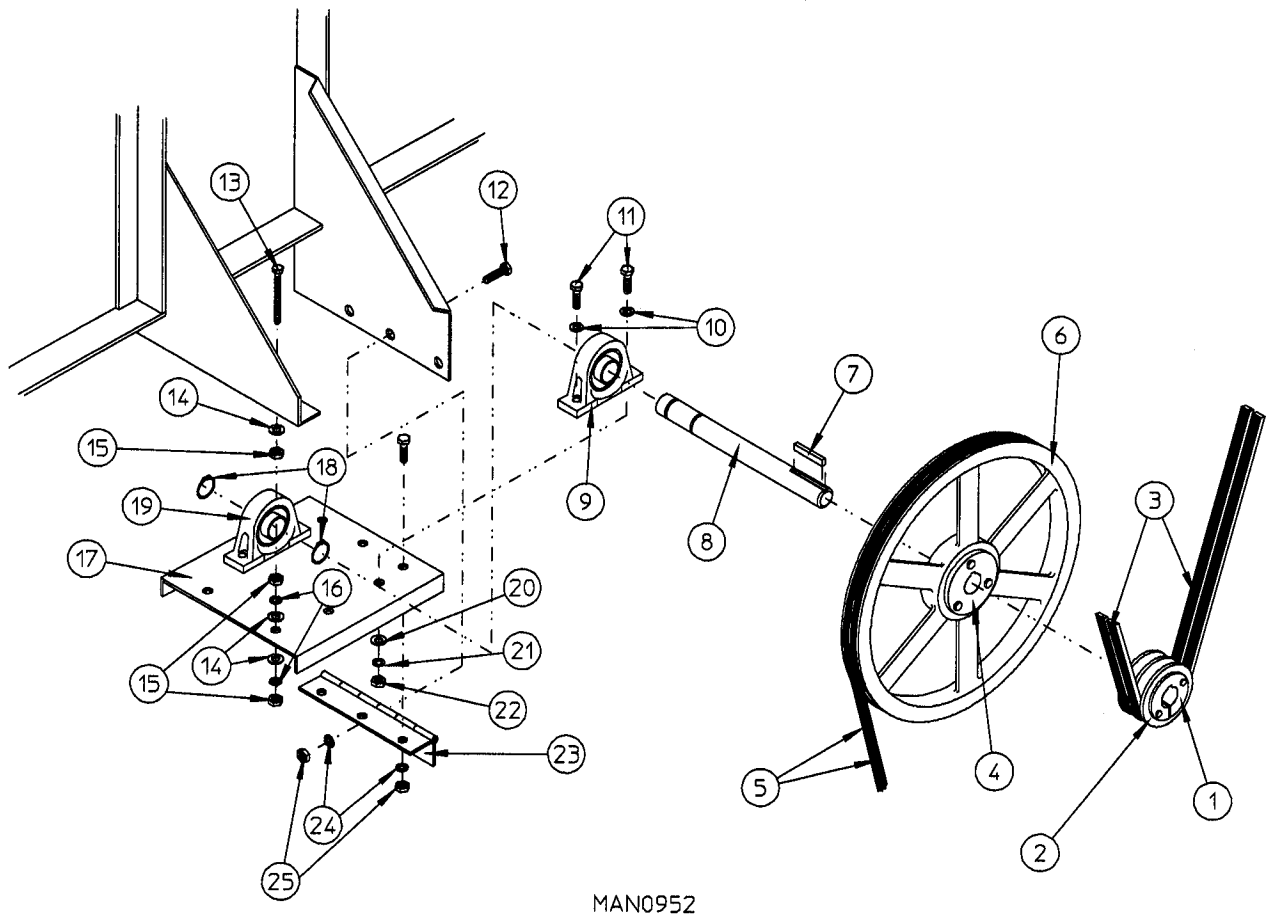
* Felt collar not included and **must be ordered separately.**

** As required.



<u>Illus. No.</u>	<u>Part No.</u>	<u>Qty.</u>	<u>Description</u>
1	101137	1	2-1/4" SFX Bushing
2*	100137	2	AB91 "V" Belt
3	101182	1	AD-170 25" Basket (Tumbler) Pulley
4	150602	4	#5/8-11 x 3" Hex Head Machine Bolt
5	153016	4	5/8" Flat Washer
6	100223	1	3-1/8" Pillow Block Bearing ONLY
7	153016	4	5/8" Flat Washer
8	153015	4	5/8" Lock Washer
9	152010	4	#5/8-11 Hex Nut
10	150600	2	#3/8-16 x 1-1/2" Hex Head Machine Bolt
11	152005	2	#3/8-16 Hex Nut
12	820910	1	AD-170 Tumbler Bearing Mount Weldment
13	100223	1	3-1/8" Pillow Block Bearing ONLY
14	150604	2	#1/2-20 x 3" Square Head Machine Bolt
15	152012	2	#1/2-20 Hex Nut
16	152005	2	#3/8-16 Hex Nut
17	153005	2	3/8" Lock Washer
18	153004	4	3/8" Flat Washer
19	150600	2	#3/8-16 x 1-1/2" Hex Head Machine Bolt
20	153004	2	3/8" Flat Washer
21	100801	2	5/8" Retaining Ring
22	332153	1	AD-170 (5/8") Hinge Pin
23	100810	2	AD-170 3 -1/8" Retaining Ring
24	153018	2	1/4" Flat Washer
25	153007	2	1/4" Lock Washer
26	150512	2	#1/4-20 x 1/2" Hex Head Machine Bolt
27	824807	1	Rotational Sensor Assembly ONLY
28	880841	1	Rotational Sensor Mounting Bracket ONLY

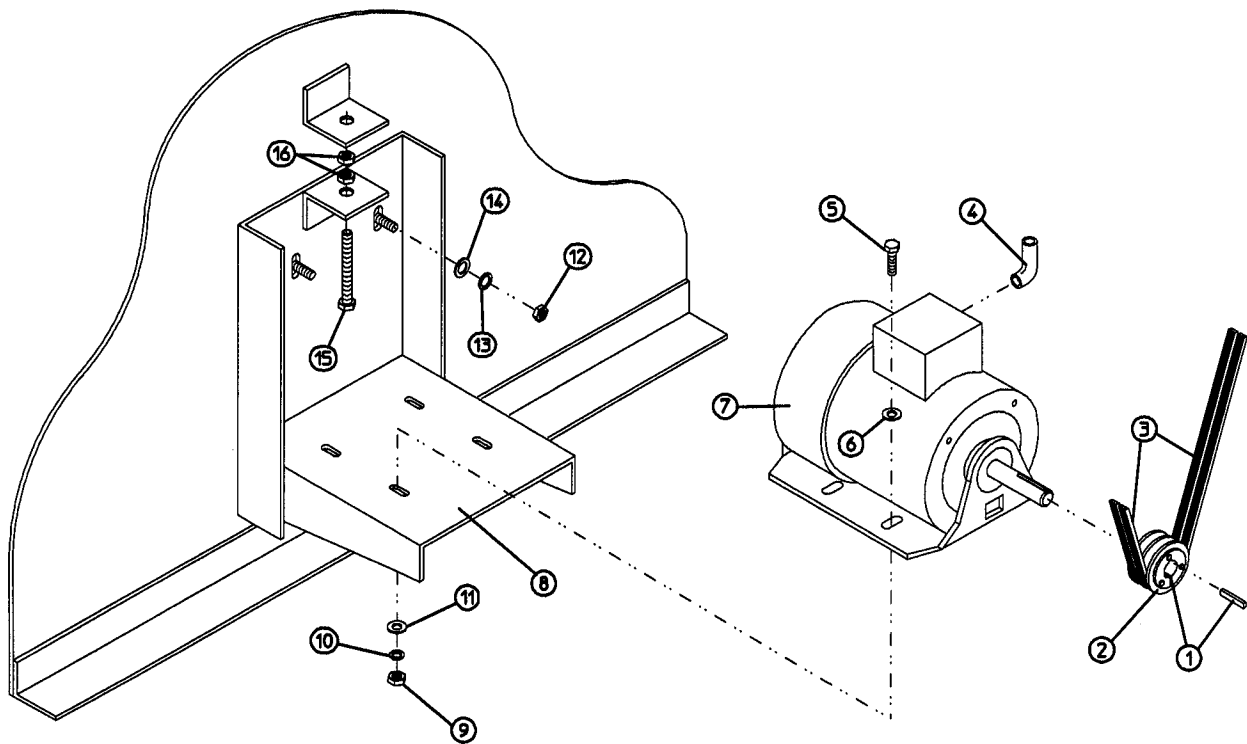
* Replace in match sets (both belts).



MAN0952

<u>Illus. No.</u>	<u>Part No.</u>	<u>Qty.</u>	<u>Description</u>
1	101152	1	SH x 1-3/8" Bushing ONLY
2	101143	1	2B 3.8 SH Pulley
3*	100137	2	AB91 "V" Belt
4	101184	1	SK x 1-3/8" Bore Bushing ONLY
5*	100102	2	3V740 "V" Belt
6	101112	1	AD-170 19" Idler Pulley
7	100730	1	1/4" x 1/4" x 4-5/8" Key
8	332152	1	AD-170 Idler Shaft ONLY
9	880879	1	1-3/8" Pillow Block Bearing with Set Screws and Grease Fitting
10	153004	4	3/8" Flat Washer
11	150600	4	#3/8-16 x 1-1/2" Hex Head Machine Bolt
12	150504	6	#1/4-20 x 1/2" Hex Head Machine Bolt
13	150509	2	#5/16-18 x 3" Hex Head Machine Bolt
14	153001	6	5/16" Flat Washer
15	152004	6	#5/16-18 Hex Nut
16	153002	8	5/16" Lock Washer
17	820932	1	AD-170 Idler Bearing Mount Assembly Complete (includes illus. nos. 8 through 11 and 17 through 25)
	332151	1	AD-170 Idler Bearing Mount ONLY
18	100802	2	1-3/8" Retaining Ring
19	880879	1	1-3/8" Pillow Block Bearing with Set Screws and Grease Fitting
20	153004	4	3/8" Flat Washer
21	153005	4	3/8" Lock Washer
22	152005	4	#3/8-16 Hex Nut
23	103005	1	AD-170 Idler Adjustment Hinge ONLY
24	153002	6	1/4" Lock Washer
25	152004	6	#1/4-20 Hex Nut

* Replace in matched sets (both belts).



MAN0329

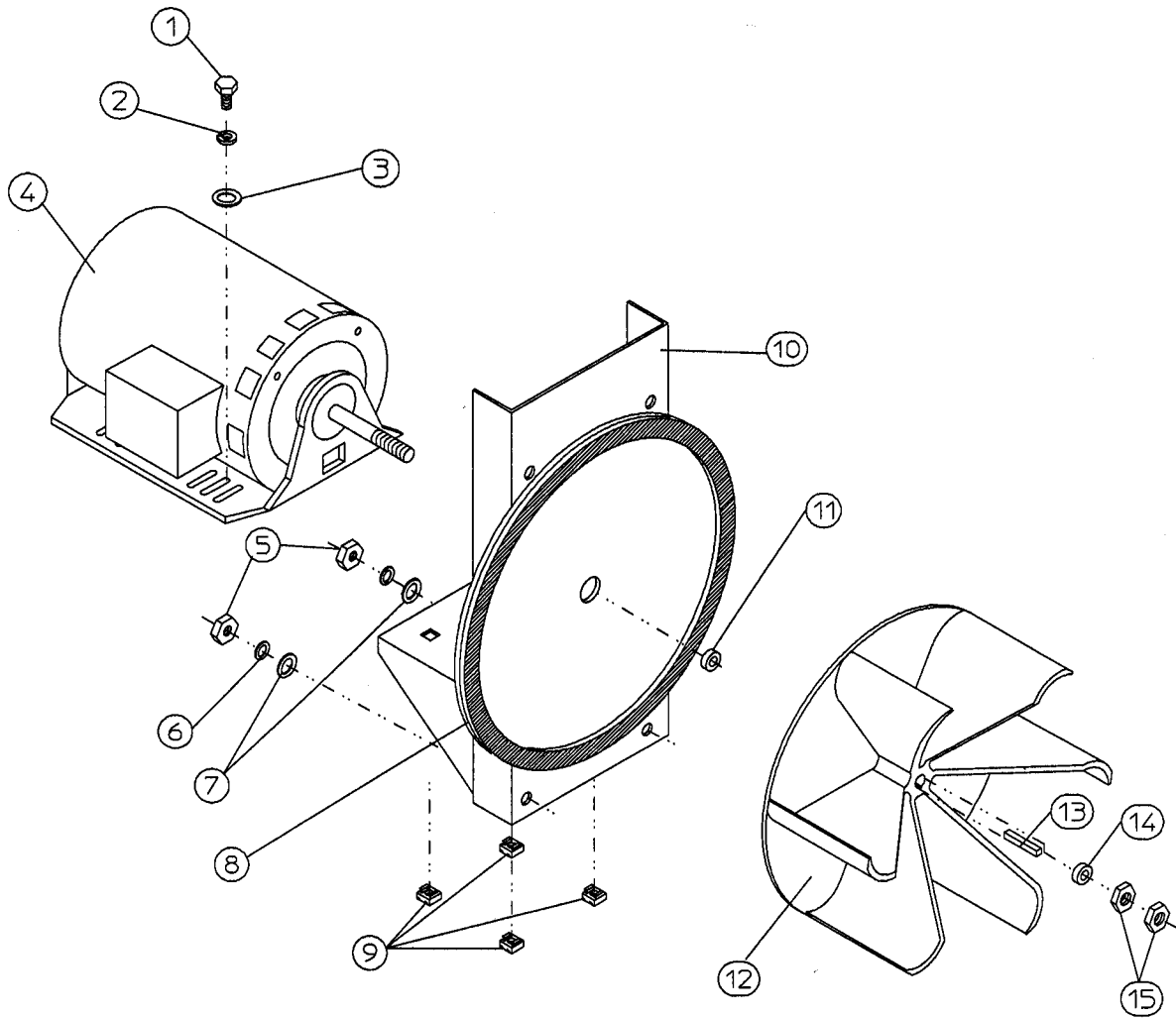
<u>Illus. No.</u>	<u>Part No.</u>	<u>Qty.</u>	<u>Description</u>
1	101121	1	5/8" SK Bushing
2	101114	1	2.65" Pulley (for 60Hz Models ONLY)
	101120	1	3.15" Pulley (for 50Hz Models ONLY)
3*	100102	2	3V740 "V" Belt
4	120200	1	3/8" x 90° Connector
5	150501	4	#5/16-18 x 3/4" Hex Head Machine Bolt
6	153001	4	5/16" Flat Washer
7	100050	1	1 HP 208/230/380/460v 50/60Hz 3ø T.E.F.C. Motor (56Z frame)
8	800952	1	AD-170 Basket (Tumbler) Motor Mount ONLY (56Z frame)
	820941**	1	AD-170 (50/60Hz) T.E.F.C. Basket (Tumbler) Motor Mount Assembly Complete (includes illus. nos. 1 and 4 through 11)
			NOTE: Motor Pulley Must Be Ordered Separately
9	152004	4	#5/16-18 Hex Nut
10	153002	4	5/16" Lock Washer
11	153001	4	5/16" Flat Washer
12	152004	4	#5/16-18 Hex Nut
13	153002	4	5/16" Lock Washer
14	153001	4	5/16" Flat Washer
15	150619	1	#3/8-16 x 3" Hex Head Machine Bolt
16	152005	2	#3/8-16 Hex Nut

* Replace in matched sets (both belts).

** Specify voltage when ordering.

IMPORTANT: For voltages higher than 460v, contact the factory for correct part number of motor or motor mount assembly.

(for 60 Hz Gas Models ONLY)



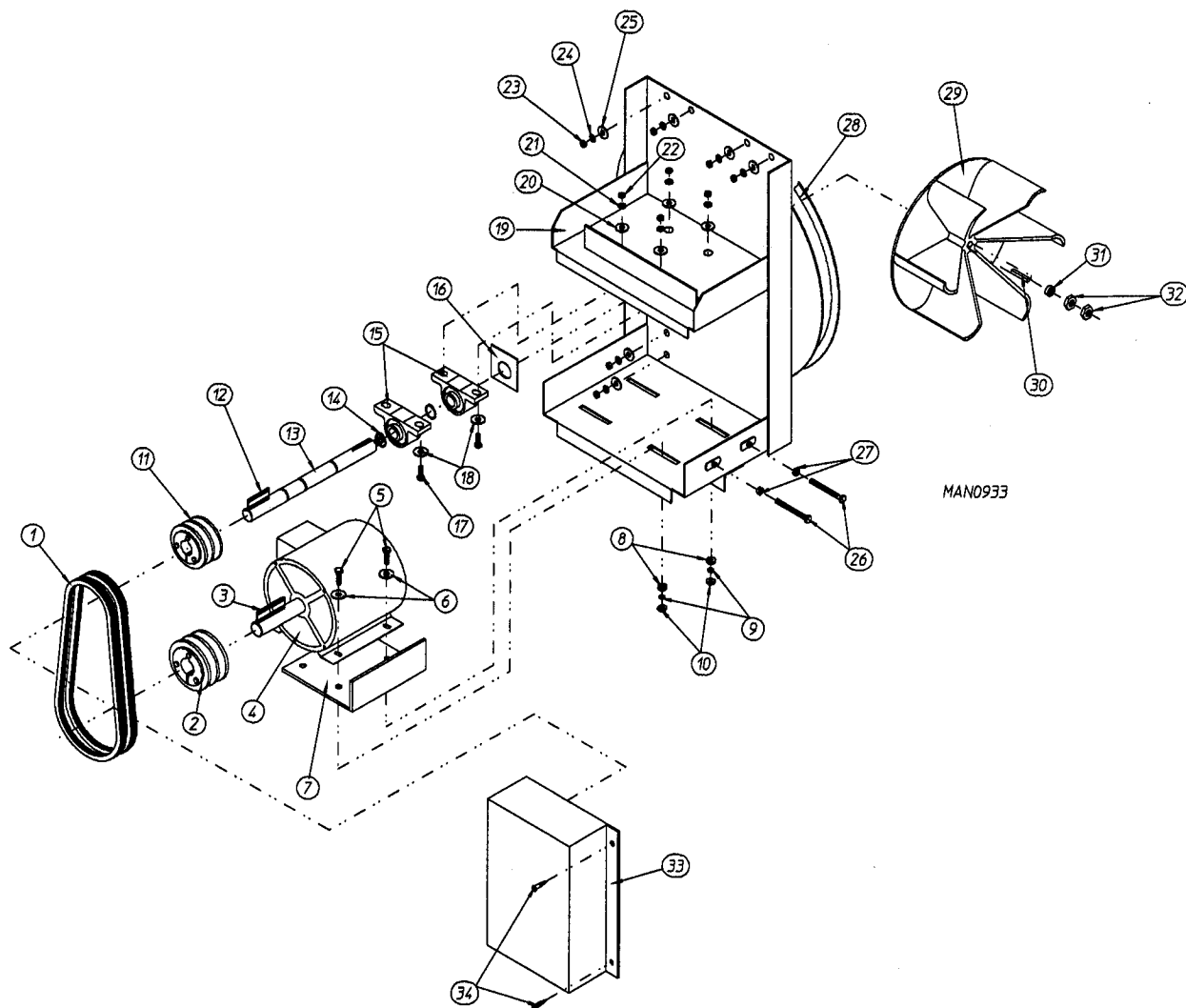
(for 60 Hz Gas Models ONLY)

<u>Illus. No.</u>	<u>Part No.</u>	<u>Qty.</u>	<u>Description</u>
1	150501	4	#5/16-18 x 3/4" Hex Head Machine Bolt
2	153002	4	5/16" Lock Washer
3	153001	4	5/16" Flat Washer
4	100051	1	3HP 208/230/460/3ø/50/60Hz Motor (56Z frame)
5	152004	4	#5/16-18 Hex Nut
6	153002	4	5/16" Lock Washer
7	153001	4	5/16" Flat Washer
8	117600	4	Noise Suppressor Tape (sold in feet)
9	154000	4	#5/16-18 Tinnerman Nut
10	880828	1	3HP Blower Motor Mount ONLY (56Z Frame) (for models mfd. as of September 11, 1992)
	820924	1	3HP Blower Motor Mount ONLY (56Z frame) (for models mfd. prior to September 11, 1992)
	880829	1	3HP Blower Motor Mount Assembly Complete (includes illus. nos. 1 through 4 and 8 through 15) For models mfd. as of September 11, 1992
	820942	1	3HP Blower Motor Mount Assembly Complete (includes illus. nos. 1 through 4 and 8 through 15) For models mfd. prior to September 11, 1992
11	153063	1	Motor Washer
12	100609	1	20" Aluminum Impellor (Fan/Blower)
13	100703	1	1/2" x 1/2" x 2" Key
14	153063	*	5/8" Motor Washer
15	152006	2	#1/2-20 Left Hand Jam Nut

* Replace in matched sets (both belts).

IMPORTANT: For voltages higher than 460v, contact the factory for correct part number of motor or motor mount assembly.

(for 60 Hz Steam Models and 50 Hz Gas Models ONLY)



<u>Illus. No.</u>	<u>Part No.</u>	<u>Qty.</u>	<u>Description</u>
-------------------	-----------------	-------------	--------------------

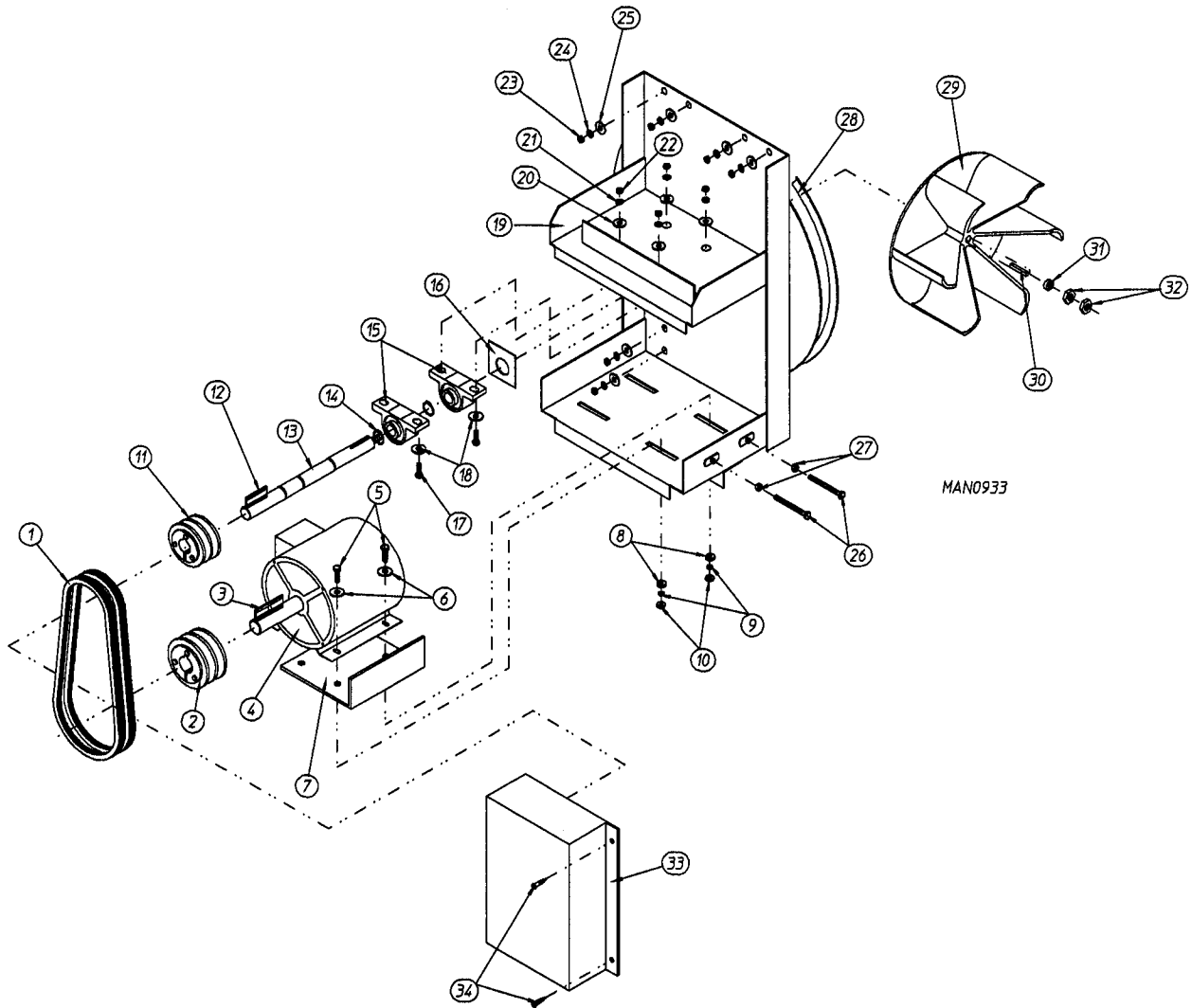
1*	100118	2	5L-310 V-Belt
2	101134	1	2B x 4.6 Motor Pulley
	101138	1	SDS x 1-1/8" Bushing
3	100704	1	1/4" x 1/4" x 1 3/4" Key
4	100045	1	5 HP 230/460/3ø/50/60Hz Motor
5	150617	4	#3/8-16 x 1" Hex Head Machine Bolt
6	153004	4	3/8" Flat Washer
7	332198	1	Motor Adjustment Bracket
8	153004	4	3/8" Flat Washer
9	153005	4	3/8" Lock Washer
10	152005	4	#3/8-16 Hex Nut

(for 60 Hz Steam Models and 50 Hz Gas Models ONLY)

Illus. No.	Part No.	Qty.	Description
11	101143	1	2B x 3.8 Pulley
	101152	1	SH x 1-3/8" Bushing
12	100706	1	5/16" x 5/16" x 1-3/8" Key
13	332195	1	Impellor (Fan/Blower) Shaft
14	100802	2	1-3/8" Retaining Ring
15	880879	2	1-3/8" Pillow Block Bearing with Set Screws and Grease Fitting
16	116014	1	3" x 3" Impellor (Fan/Blower) Shaft Gasket
17	150606	4	#1/2-13 x 2" Hex Head Machine Bolt
18	153016	4	1/2" Flat Washer
19	820990	1	AD-170 Blower Motor Mount ONLY (for models mfg. as of September 11, 1992)
	820960	1	AD-170 Blower Motor Mount ONLY (for models mfd. prior to September 11, 1992)
	820974	1	ADS-170 60Hz/ ADG-170 50Hz Blower Motor Mount Assembly Complete (includes illus. nos. 1 through 22 and 26 through 34) For models mfd. as of September 11, 1992
	820981	1	ADS-170 60Hz/ ADG-170 50Hz Blower Motor Mount Assembly Complete (includes illus. nos. 1 through 22 and 26 through 34) For models mfd. as of September 11, 1992
20	153016	4	1/2" Flat Washer
21	153026	4	1/2" Lock Washer
22	152011	4	#1/2-13 Hex Nut
23	152005	8	#3/8-16 Hex Nut
24	153005	8	3/8" Lock Washer
25	153004	8	3/8" Flat Washer
26	150609	2	#1/2-13 x 4-1/2" Hex Head Machine Bolt
27	152011	2	#1/2-13 Hex Nut
28	117600	6	Noise Suppressor Tape (sold in feet)
29	100609	1	20" Aluminum Impellor (Fan/Blower)
30	100708	1	3/16" x 3/16" x 2-1/16" Key
31	153065	1	Fan/Impellor Washer
32	152006	2	#1/2-20 Left Hand Jam Nut
33	820965	1	Belt Guard ONLY
34	150522	4	#1/4-20 x 1" Hex Washer TEK Screw

* Replace in matched sets (both belts).

(for 50 Hz Steam Models ONLY)



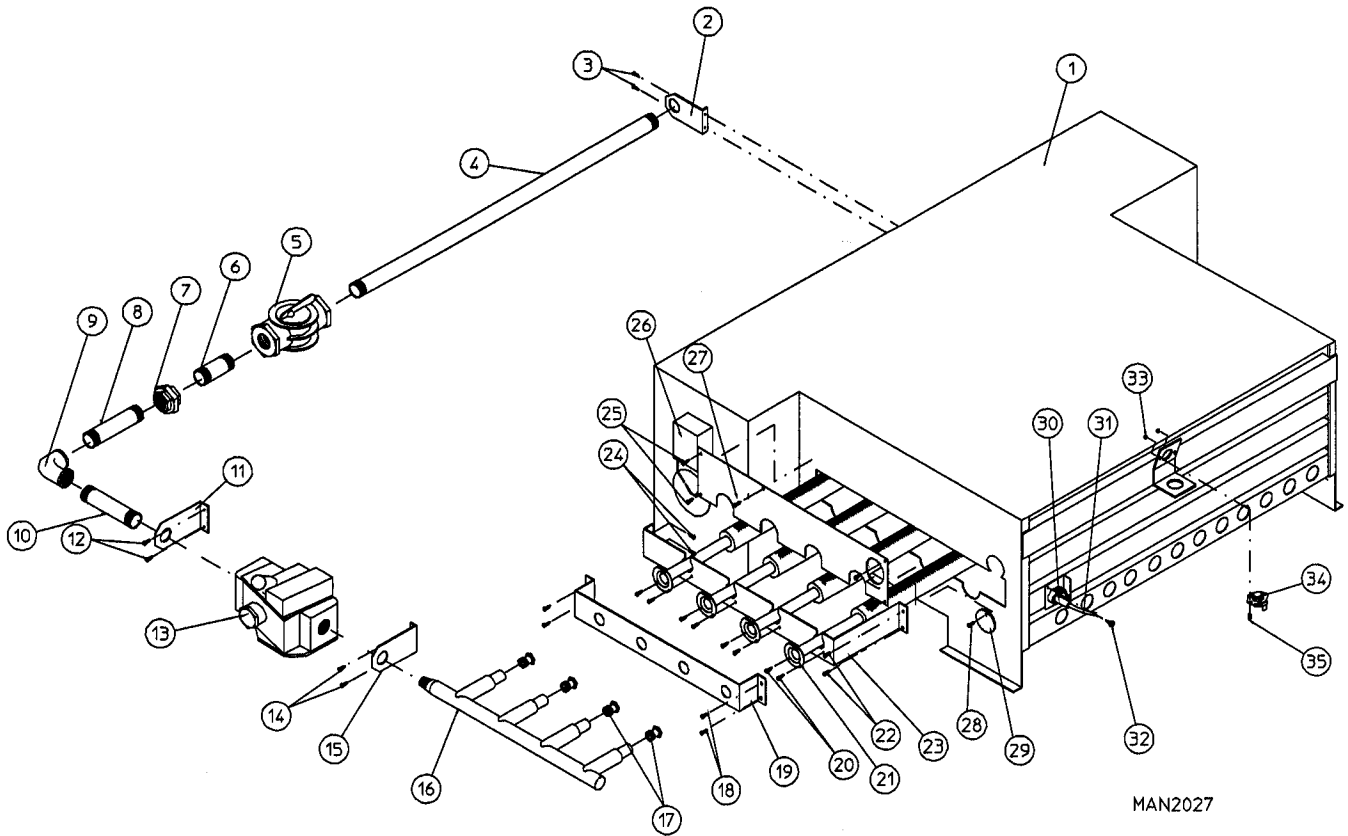
<u>Illus. No.</u>	<u>Part No.</u>	<u>Qty.</u>	<u>Description</u>
1*	100119	2	5L-320 V-Belt
2	101135	1	2B x 5.4 Motor Pulley
	101138	1	SDS x 1-1/8" Bushing
3	100704	1	1/4" x 1/4" x 1-3/4" Key
4	100045	1	5 HP 230/460/3ø/50/60Hz Motor
5	150617	4	#3/8-16 x 1" Hex Head Machine Bolt
6	153004	4	3/8" Flat Washer
7	332198	1	Motor Adjustment Bracket
8	153004	4	3/8" Flat Washer
9	153005	4	3/8" Lock Washer
10	152005	4	#3/8-16 Hex Nut

(for 50 Hz Steam Models ONLY)

<u>Illus. No.</u>	<u>Part No.</u>	<u>Qty.</u>	<u>Description</u>
11	101148	1	2B x 4.0 Pulley (replaces 2B x 3.8 Pulley previously used)
	101152	1	SH x 1-3/8" Bushing
12	100706	1	5/16" x 5/16" x 1-3/8" Key
13	332195	1	Impellor (Fan/Blower) Shaft
14	100802	2	1-3/8" Retaining Ring
15	880879	2	1-3/8" Pillow Block Bearing with Set Screws and Grease Fitting
16	116014	1	3" x 3" Impellor (Fan/Blower) Shaft Gasket
17	150606	4	#1/2-13 x 2" Hex Head Machine Bolt
18	153016	4	1/2" Flat Washer
19	820990	1	AD-170 Blower Motor Mount ONLY (for models mfg. as of September 11, 1992)
	820960	1	AD-170 Blower Motor Mount ONLY (for models mfd. prior to September 11, 1992)
	820977	1	ADS-170 50 Hz Blower Motor Mount Assembly Complete (includes illus. nos. 1 through 22 and 26 through 34) For models mfd. as of September 11, 1992
	820982	1	ADS-170 50 Hz Blower Motor Mount Assembly Complete (includes illus. nos. 1 through 22 and 26 through 34) For models mfd. as of September 11, 1992
20	153016	4	1/2" Flat Washer
21	153026	4	1/2" Lock Washer
22	152011	4	#1/2-13 Hex Nut
23	152005	8	#3/8-16 Hex Nut
24	153005	8	3/8" Lock Washer
25	153004	8	3/8" Flat Washer
26	150609	2	#1/2-13 x 4-1/2" Hex Head Machine Bolt
27	152011	2	#1/2-13 Hex Nut
28	117600	6	Noise Suppressor Tape (sold in feet)
29	100609	1	20" Aluminum Impellor (Fan/Blower)
30	100708	1	3/16" x 3/16" x 2-1/16" Key
31	153065	1	Impellor/Fan Washer
32	152006	2	#1/2-20 Left Hand Jam Nut
33	820965	1	Belt Guard ONLY
34	150522	4	#1/4-20 x 1" Hex Washer TEK Screw

* Replace in matched sets (both belts).

(for Gas Models ONLY)



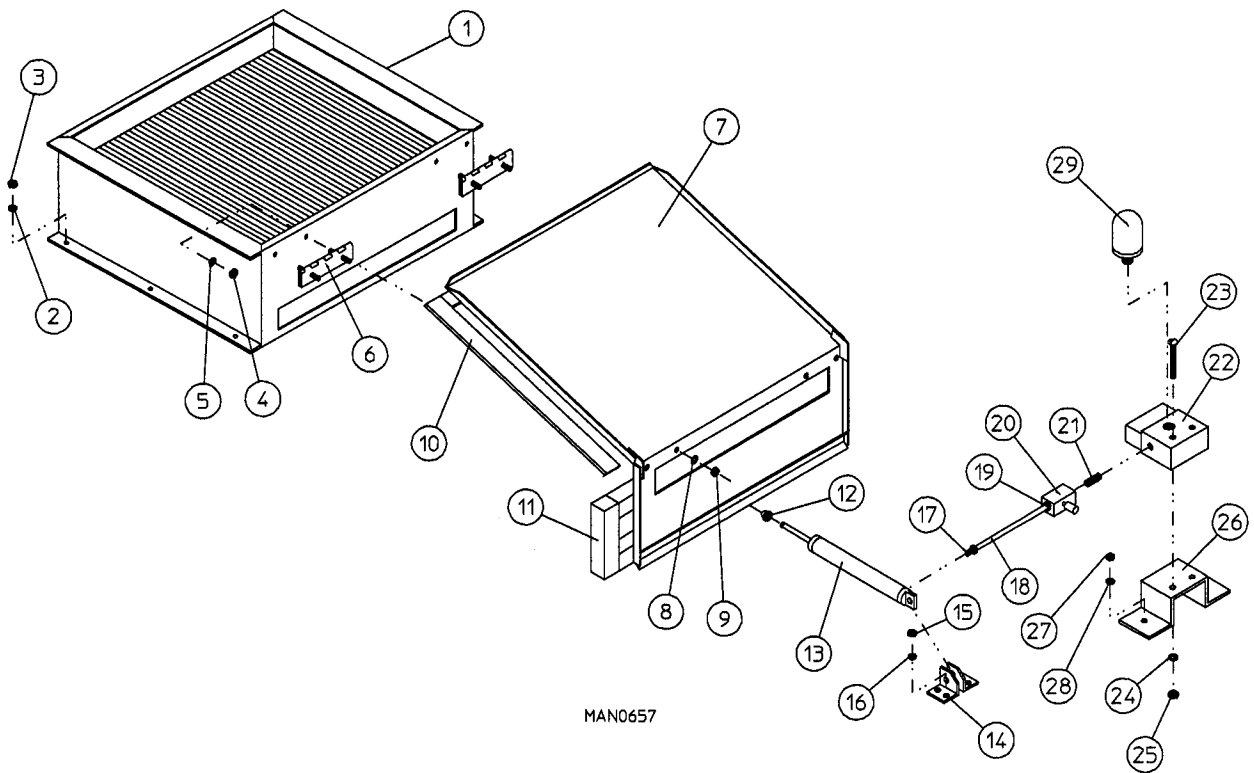
Illus. No.	Part No.	Qty.	Description
1	820988*	1	ADG-170 Natural Gas DSI Burner Assembly Complete less Orifices (includes illus. nos. 1 through 16, and 18 through 35)
	820989*	1	ADG-170 LP Gas DSI Burner Assembly Complete less Orifices (includes illus. nos. 1 through 16, and 18 through 35)
	820987	1	ADG-170 Burner Box ONLY
2	332117	1	ADG-170 Pipe Bracket
3	150415	2	#10-16 x 1/2" Phillips Round Head Crimptite Screw
4	142817	1	1" x 28 1/2" Pipe
5	141302	1	1" Union Shutoff
6	142724	1	1" x 2" Nipple
7	142602	1	1" Union
8	142581	1	1" x 5" Nipple
9	142548	1	1" x 90° Elbow
10	142581	1	1" x 5" Nipple

(for Gas Models ONLY)

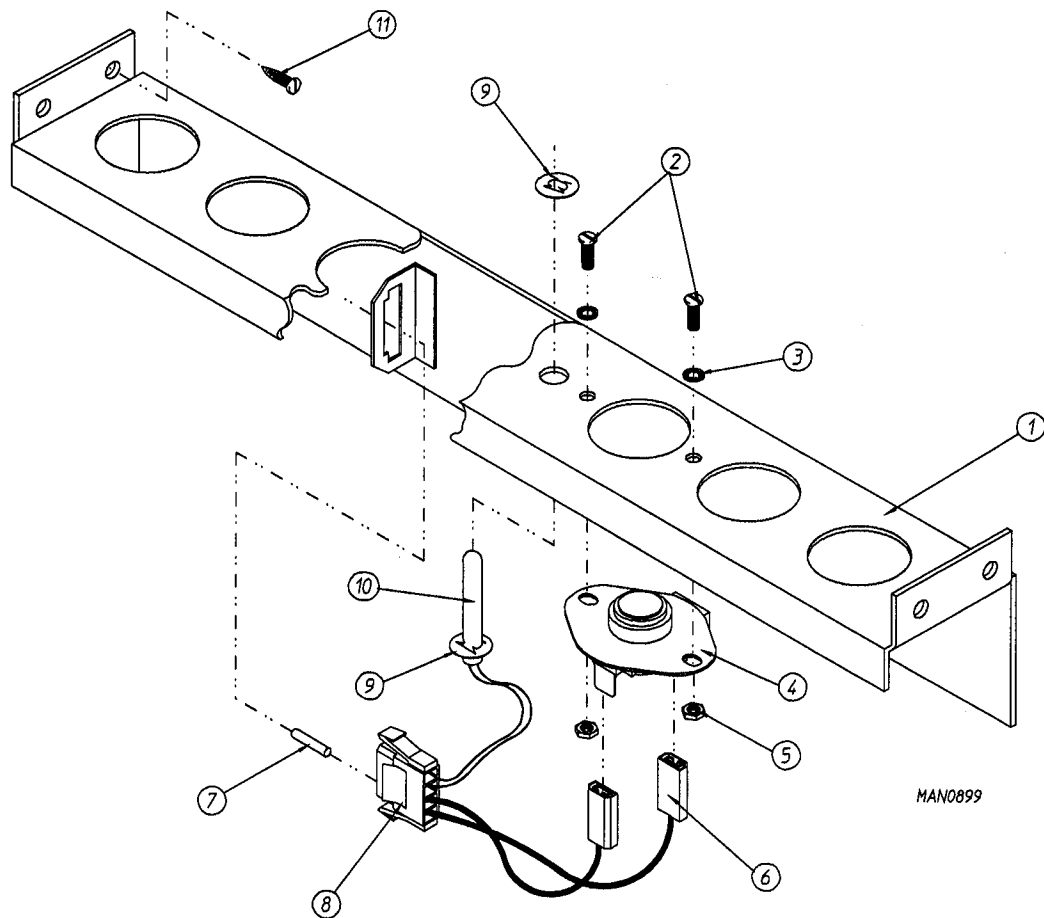
<u>Illus. No.</u>	<u>Part No.</u>	<u>Qty.</u>	<u>Description</u>
11	332119	1	ADG-170 Gas Valve Pipe Bracket
12	150415	2	#10-16 x 1/2" Phillips Round Head Crimptite Screw
13	140017	1	DSI 1" 24 VAC Redundant (natural gas) Gas Valve
	140018	1	1" 24 VAC Gas Valve L.P. (liquid propane) Conversion Kit
14	150415	2	#10-16 x 1/2" Phillips Round Head Crimptite Screw
15	332119	1	ADG-170 Gas Valve Pipe Bracket
16	141240	1	4-Port Manifold
17**	140832	4	#4 Burner Orifice (natural gas) ONLY
	140860	4	#13 Burner Orifice (natural gas) ONLY (for CSA/CANADA ONLY)
	140819	4	#30 Burner Orifice (liquid propane gas) ONLY
	140852	4	#34 Burner Orifice (liquid propane gas) ONLY (for CSA/CANADA ONLY)
18	150415	4	#10-16 x 1/2" Phillips Round Head Crimptite Screw
19	332114	1	ADG-170 Manifold Support ONLY
20	150415	8	#10-16 x 1/2" Phillips Round Head Crimptite Screw
21	141110	4	ADG-170 Burner Tube ONLY
22	150415	2	#10-16 x 1/2" Phillips Round Head Crimptite Screw
23	332121	1	ADG-170 Burner Tube Support ONLY
24	150415	2	#10-16 x 1/2" Phillips Round Head Crimptite Screw
25	150415	6	#10-16 x 1/2" Phillips Round Head Crimptite Screw
26	-----	1	Sail Switch (refer to Sail Switch Assembly on page 30)
27	332113	1	ADG-170 Burner Box Cover Plate ONLY
28	150415	1	#10-16 x 1/2" Phillips Round Head Crimptite Screw
29	331290	1	ADG-170 Ignitor/Flame-Probe Sight Hole Disc ONLY
30	880325	1	ADG-170 Ignitor/Flame-Probe Assembly Kit (includes high voltage [HV] wire and connector)
	305410	1	DSI Ignitor Gap Feeler Gauge ... Not Illustrated
31	880330	1	DSI Ignitor HV Wire/Connector ONLY
32	150415	2	#10-16 x 1/2" Phillips Round Head Crimptite Screw
33	151000	2	#6-32 Pal Nut
34	130401	1	330° Hi-Limit ONLY
35	150001	2	#6-32 x 1" Round Head Machine Screw

* Orifices not included and **must be** ordered separately.

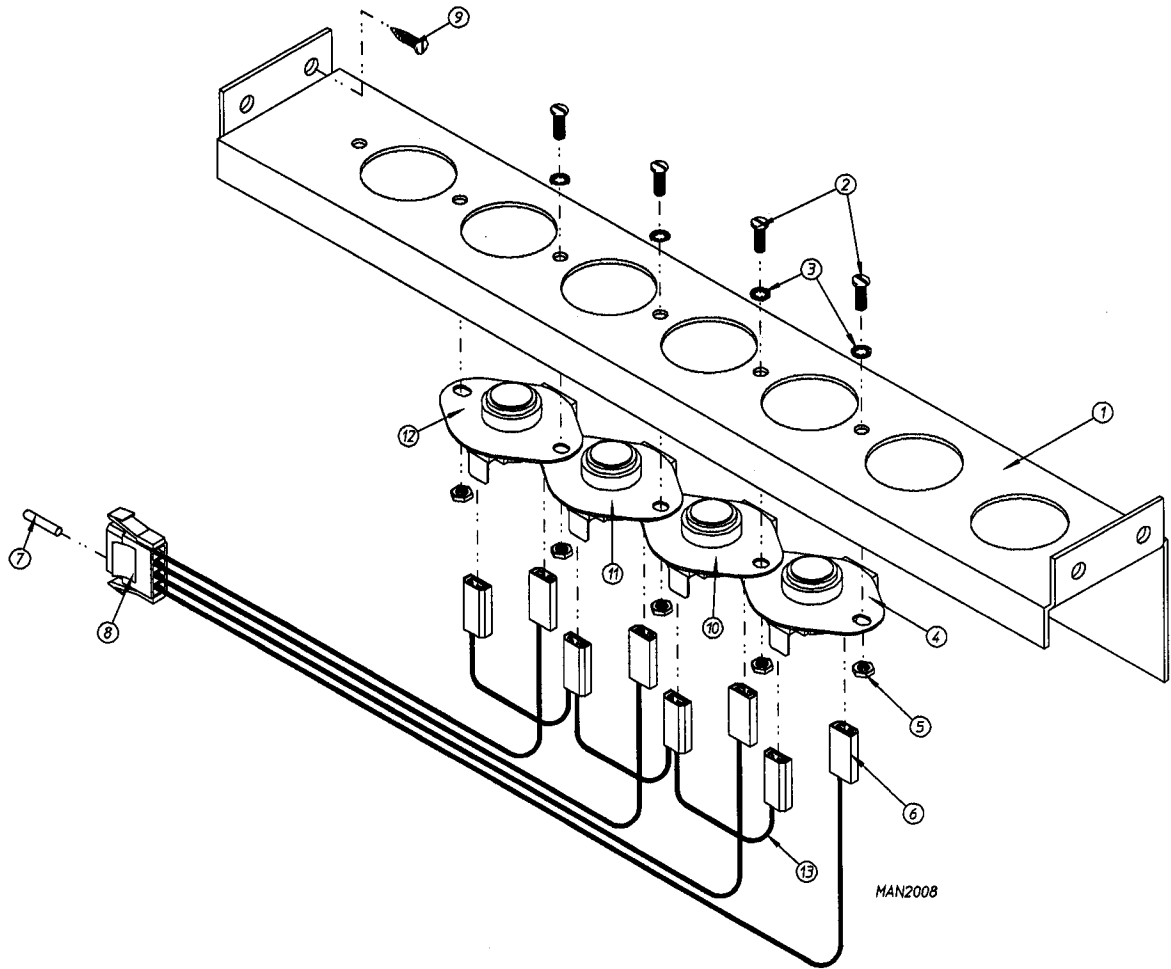
** Consult factory for elevations over 2,000 feet.



<u>Illus. No.</u>	<u>Part No.</u>	<u>Qty.</u>	<u>Description</u>
1	165017	1	ADS-170 Steam Coil Assembly
2	153002	6	5/16" Lock Washer
3	152004	6	5/16-18 Hex Nut
4	152002	4	#1/4-20 Hex Nut
5	153007	4	1/4" Lock Washer
6	820321	2	ADS-170 Steam Damper Hinge Assembly
7	820994	1	ADS-170 Steam Damper Assembly (includes illus. nos. 7, 10, and 11)
8	153007	4	1/4" Lock Washer
9	152002	4	#1/4-20 Hex Nut
10	115995	96	ADS-170 Steam Damper Gasket (sold by the inch)
11	102350	1	ADS-170 Steam Damper Foam (68-1/2" length)
12	151007	1	#7/16-20 Stainless Steel Acorn Nut
13	100499	1	1-1/2" Bore x 3" Stroke Piston
14	100500	1	Piston Support Bracket
15	152002	4	#1/4-20 Hex Nut
16	153007	4	1/4" Lock Washer
17	100472	1	1/4" x 1/8" Connector
18	143110	1	1/4" Tubing (sold in feet)
19	100472	1	1/4" x 1/8" Connector
20	100496	1	1/8" Needle Valve
21	143238	1	1/8" Close Nipple
22	100498	1	3-Way Micro Valve - 24 VAC
23	150002	2	#6-32 x 1" Slotted Machine Screw
24	153010	2	#6 Star Washer
25	152000	2	#6-32 Hex Nut
26	330987	1	Micro Valve Support Bracket
27	152002	2	#1/4-20 Hex Nut
28	153007	2	1/4" Lock Washer
29	100520	1	1/8" NPT Silencer (muffler)

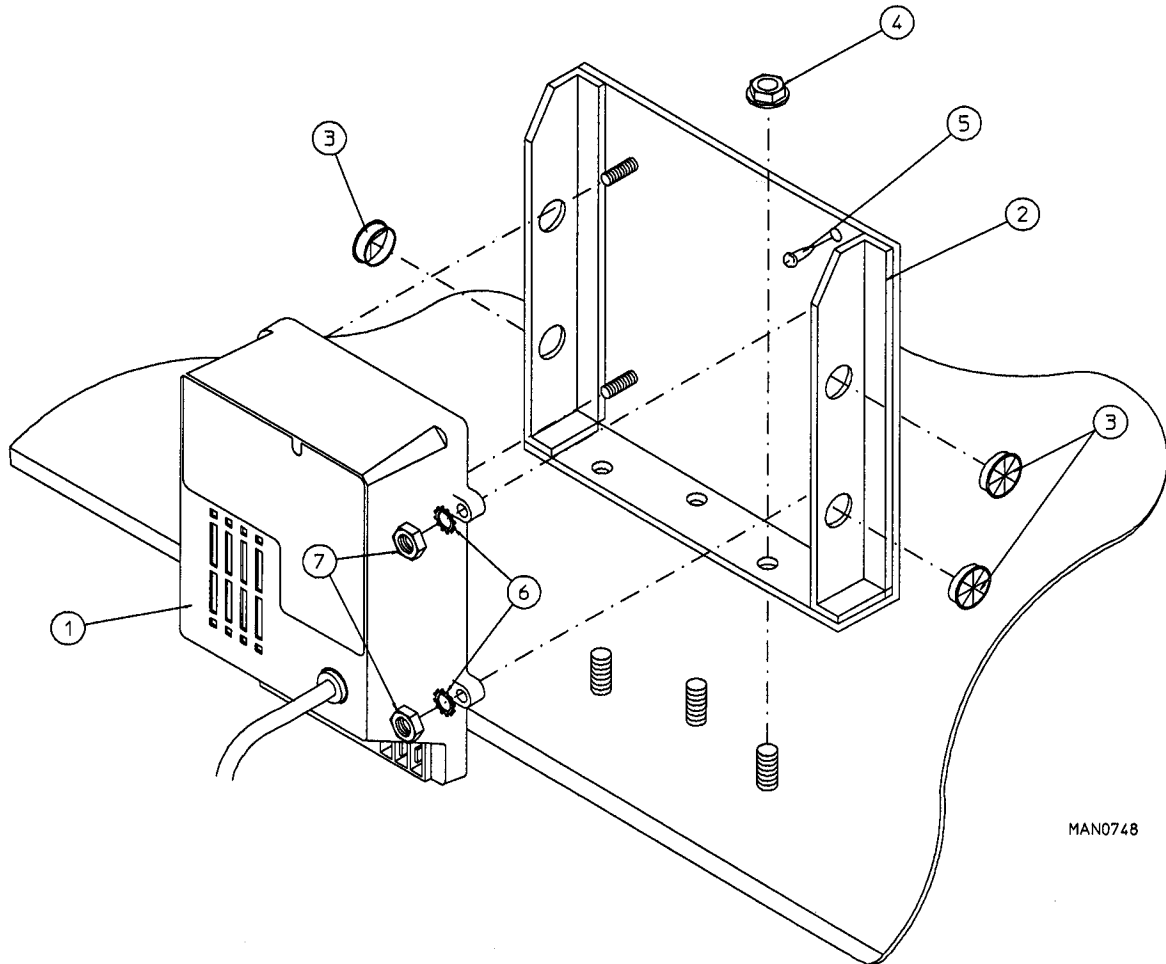


Illus. No.	Part No.	Qty.	Description
1	820968	1	AD-170 Microprocessor Temperature Sensor Bracket Complete (includes illus nos 1 through 10)
	820967	1	AD-170 Temperature Sensor Bracket ONLY
2	150000	2	6-32 x 1/4" Round Head Machine Screw
3	153010	2	#6 Star Washer
4	130112	1	225° Large Automatic Reset Thermostat (Side Terminals)
5	152000	2	6-32 Hex Nut
6	121028	2	1/4" x .032 Insulated Terminal
7	122701	4	Socket Terminal ONLY
8	122605	1	4-Pin Socket Connector
9	154007	2	1/4" Push-On Fastener
10	880251	1	1/4" Temperature Sensor Probe Assembly (includes illus nos. 6 through 10)
11	150301	4	#8-18 x 7/16" Phillips Pan Head TEK Screw

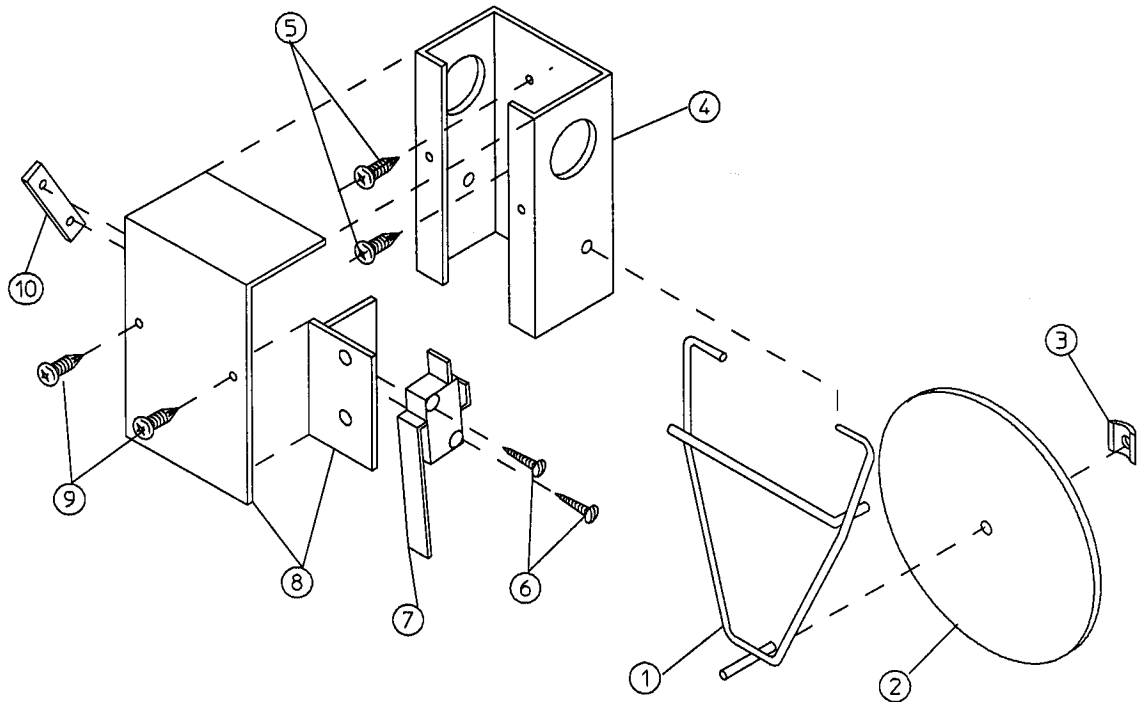


Illus. No.	Part No.	Qty.	Description
1	821016	1	AD-170 Timer Temperature Sensor Bracket Complete (includes illus. nos. 1 through 13)
	820999	1	AD-170 Timer Temperature Sensor Bracket ONLY
2	150005	5	#6-32 x 1/4" Round Head Machine Screw
3	153010	5	#6 Star Washer
4	130101	1	180° Large Thermostat
5	152000	2	#6-32 Hex Nut
6	121028	4	1/4" x .032 Insulated Terminal
7	122701	4	Socket Terminal ONLY
8	122605	1	4-Pin Socket Connector
9	150301	4	#8-18 x 7/16" Phillips Pan Head TEK Screw
10	130109	1	140° Large Thermostat
11	130107	1	160° Large Thermostat
12	130103	1	225° Large Automatic Reset Thermostat
13	831701	1	Sensor Jumper (4) ONLY

(for Gas Models ONLY)

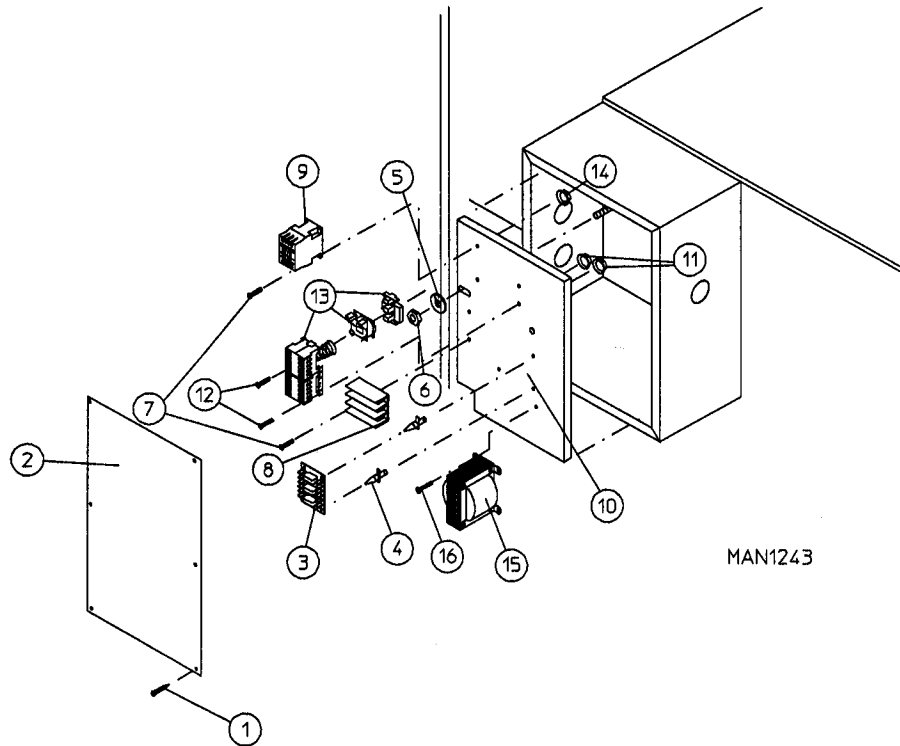


Illus. No.	Part No.	Qty.	Description
1	880815	1	ADC DSI Module ONLY (50/60 Hz)
2	820100	1	DSI Module Mount Assembly ONLY
3	121400	3	Universal Bushing
4	152014	3	1/4-20 Free Spin Wash Nut
5	150301	1	#8-18 x 7/16" Phillips Pan Head TEK Screw
6	153010	4	#6 Star Washer
7	152000	4	#6-32 Hex Nut

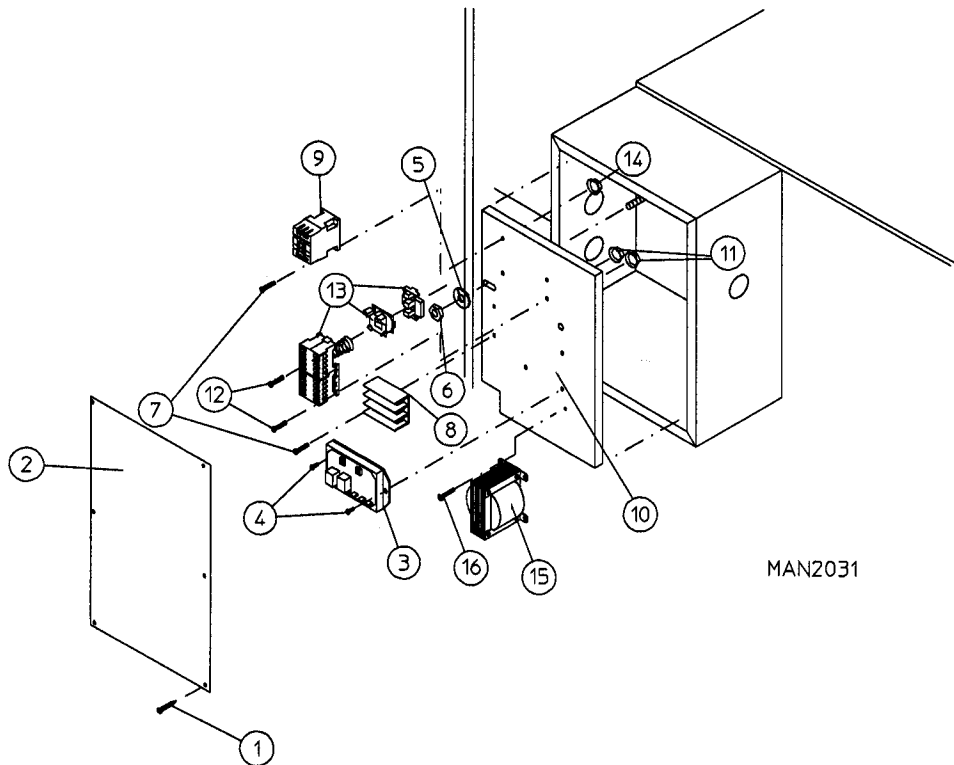


MAN0440

Illus. No.	Part No.	Qty.	Description
1	105500	1	Sail Switch Actuator Rod
2	319202	1	Sail Switch Damper (flat)
3	154002	1	1/8" Push-On Fastener
4	802800	1	Sail Switch Box with Cover and Bracket ONLY
	802801	1	Sail Switch Box Assembly Complete (includes illus. nos. 1 through 4 and 6 through 10)
5	150300	2	#10 x 1/2" Hex Washer TEK Screw
6	150303	2	#4 x 3/4" Pan Head "A" Machine Screw
7	122200	1	Sail Switch ONLY
8	802799	1	Sail Switch Box Cover and Bracket ONLY
9	150415	2	#10-16 x 1/2" Phillips Round Head Crimptite Screw
10	154004	1	Twin Speed Nut

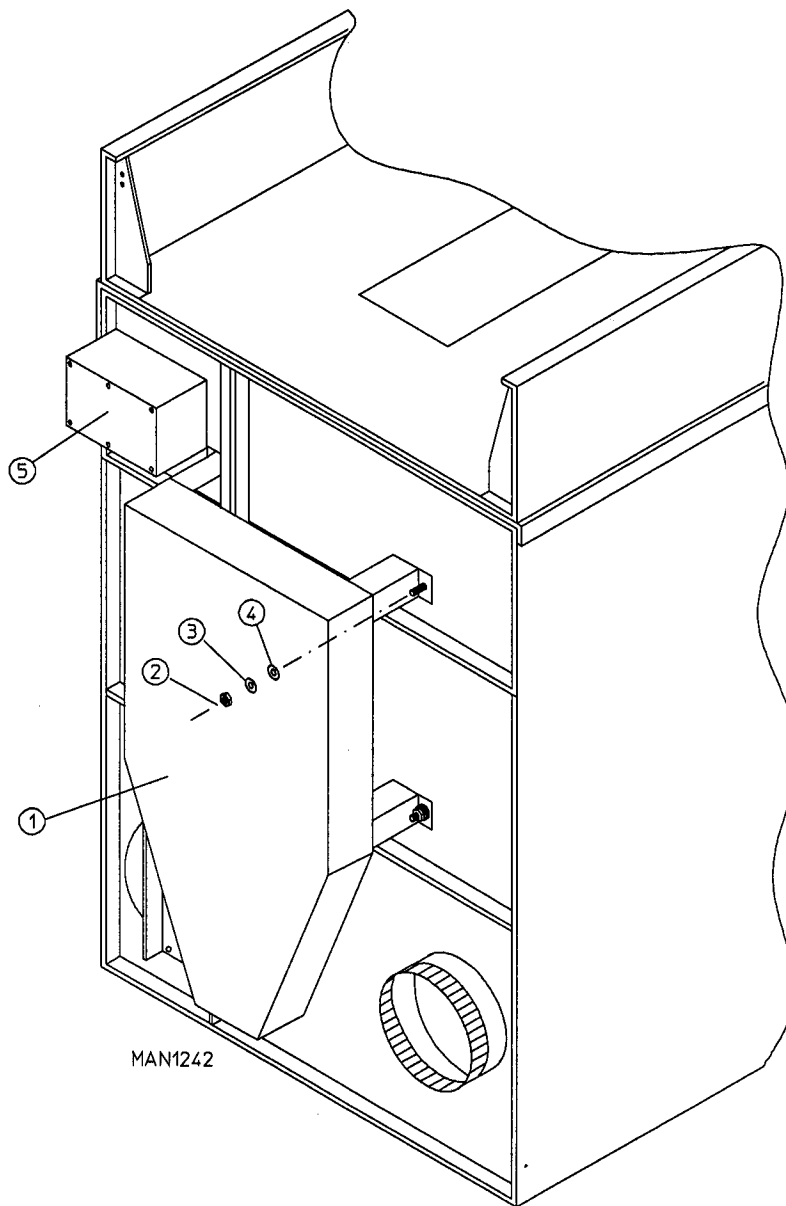


Illus. No.	Part No.	Qty	Description
1	150301	6	#8-18 x 7/16" Phillips Pan Head TEK Screw
2	322815	1	Control Box Cover Plate ONLY (8-1/2" x 15-1/2") For models mfd. as of January 4, 1993
	322808	1	Control Box Cover Plate ONLY (8-1/2" x 12") For models mfd. prior to January 4, 1993
3	137060	1	Arc Suppressor Board (3)
4	137013	4	Nylon Standoff
5	153002	1	5/16" Lock Washer
6	152004	1	#5/16-18 Hex Nut
7	150108	4	#8-32 x 1/2" Pan Head Machine Screw
8	120704	1	3-Position Power Distribution Block
9	132445	1	Impellor (Fan/Blower) Contactor
10	322816	1	Contactor Mounting Panel ONLY (7" x 15-1/2") For models mfd. as of January 4, 1993
	322807	1	Contactor Mounting Panel ONLY (7" x 10-1/2") For models mfd. prior to January 4, 1993
11	151001	4	#8-32 Pal Nut
12	150108	4	#8-32 x 1/2" Pan Head Machine Screw
13	132431	1	Reversing Contactor - 24 VAC
	132432	1	Contactor Replacement Coil - 24 VAC
14	151001	4	#8-32 Pal Nut
15	132023	1	208-240 Volt Step Down Transformer - 24 VAC
	132059	1	380 Volt Step Down Transformer - 24 VAC
	132062	1	416 Volt Step Down Transformer - 24 VAC
	132053	1	460/480 Volt Step Down Transformer - 24 VAC
16	150300	2	#10 x 1/2" Hex Washer TEK Screw



MAN2031

Illus. No.	Part No.	Qty	Description
1	150301	6	#8-18 x 7/16" Phillips Pan Head TEK Screw
2	322815	1	Control Box Cover Plate ONLY (8-1/2" x 15-1/2") For models mfd. as of January 4, 1993
	322808	1	Control Box Cover Plate ONLY (8-1/2" x 12") For models mfd. prior to January 4, 1993
3	132198	1	Reversing Timer ONLY (50/60 Hz) - 24 VAC
4	150108	2	#8-32 x 1/2" Pan Head Machine Screw
5	153002	1	5/16" Lock Washer
6	152004	1	#5/16-18 Hex Nut
7	150108	4	#8-32 x 1/2" Pan Head Machine Screw
8	120704	1	3-Position Power Distribution Block
9	132445	1	Impellor (Fan/Blower) Contactor
10	322816	1	Contactor Mounting Panel ONLY (7" x 15-1/2") For models mfd. as of January 4, 1993
	322807	1	Contactor Mounting Panel ONLY (7" x 10-1/2") For models mfd. prior to January 4, 1993
11	151001	4	#8-32 Pal Nut
12	150108	4	#8-32 x 1/2" Pan Head Machine Screw
13	132431	1	Reversing Contactor - 24 VAC
	132432	1	Contactor Replacement Coil - 24 VAC
14	151001	4	#8-32 Pal Nut
15	132023	1	208-240 Volt Step Down Transformer - 24 VAC
	132059	1	380 Volt Step Down Transformer - 24 VAC
	132062	1	416 Volt Step Down Transformer - 24 VAC
	132053	1	460/480 Volt Step Down Transformer - 24 VAC
16	150300	2	#10 x 1/2" Hex Washer TEK Screw



<u>Illus. No.</u>	<u>Part No.</u>	<u>Qty</u>	<u>Description</u>
1	820908	1	ADG-170 Back Guard Assembly (for Gas Models ONLY)
	820978	1	ADS-170 Back Guard Assembly (for Steam Models ONLY)
2	152004	4	#3/8-16 Hex Nut
3	153002	4	3/8" Lock Washer
4	153001	4	3/8" Flat Washer
5	322815	1	Control Box Cover Plate ONLY (8-1/2" x 15-1/2") For models mfd. as of January 4, 1993
	322808	1	Control Box Cover Plate ONLY (8-1/2" x 12") For models mfd. prior to January 4, 1993

<u>Part No.</u>	<u>Description</u>
112027	"Water Washed Fabrics" Label
112040	"Lint Compartment" Label
112041	"Caution-Exhausted" Label
112534	"Phase 5 OPL Program Location Summary" Label
117505	Aluminum Duct Tape (sold in feet)
120100	3/8" Straight (BX) Connector
120300	3/8" x 45° (BX) Connector
120400	3/8" Red Jacket (BX) Insulator
120500	3/8" Jiffy Clip (BX Retainer Clip)
120600	3/8" Greenfield (BX)
120800	1/4" In-Line Connector
120802	Red Butt Connector
120902	#74B Wire Nut
120903	Crimp-on Wire Nut
121014	1/4" Insulated (female) Terminal
121499	4" Harness Tie
121500	7" Harness Tie
121503	Harness Tie Mounting Clip
122804	Manometer (water column test gauge)
404500	Almond Brush-In-Cap Bottle Touch-Up Paint
404502	White Brush-In-Cap Bottle Touch-Up Paint
404506	Almond "B" Brush-In-Cap Bottle Touch-Up Paint
404507	Cornflower Blue Brush-In-Cap Bottle Touch-Up Paint
880200	Electrical Terminal (assortment) Kit

ADC 450126 1 - 01/13/93-100 2 * 04/02/93-100 3 * 03/25/94-100
4 * 02/08/95-100 5 * 03/13/95-100 6 - 10/10/952-100
7 * 01/30/98-50

