The UniDryer logo is presented in a stylized, italicized font with a vertical-line texture. The word "Uni" is in a larger, more prominent font than "Dryer". A registered trademark symbol (®) is located at the end of the word "Dryer". The logo is enclosed within a double-line rectangular border.

UniDryer®

**UD-50 Parts Manual
24 VAC
1992 thru 1995**

American Dryer Corporation
88 Currant Road
Fall River, MA 02720-4781
Telephone: (508) 678-9010 / Fax: (508) 678-9447
E-mail: [tech support@amdry.com](mailto:techsupport@amdry.com)

Retain This Manual In A Safe Place For Future Reference

American Dryer Corporation products embody advanced concepts in engineering, design, and safety. If this product is properly maintained, it will provide many years of safe, efficient, and trouble-free operation.

ONLY properly licensed technicians should service this equipment.

OBSERVE ALL SAFETY PRECAUTIONS displayed on the equipment or specified in the installation/operator's manual included with the dryer.

WARNING: UNDER NO CIRCUMSTANCES should the door switch or the heat circuit devices ever be disabled.

WARNING: The dryer *must never* be operated with any of the back guards, outer tops, or service panels removed. PERSONAL INJURY or FIRE COULD RESULT.

We have tried to make this manual as complete as possible and hope you will find it useful. ADC reserves the right to make changes from time to time, without notice or obligation, in prices, specifications, colors, and material, and to change or discontinue models.

Important

For your convenience, log the following information:

DATE OF PURCHASE _____ MODEL NO. **UD-50** _____
DISTRIBUTORS NAME _____
Serial Number(s) _____

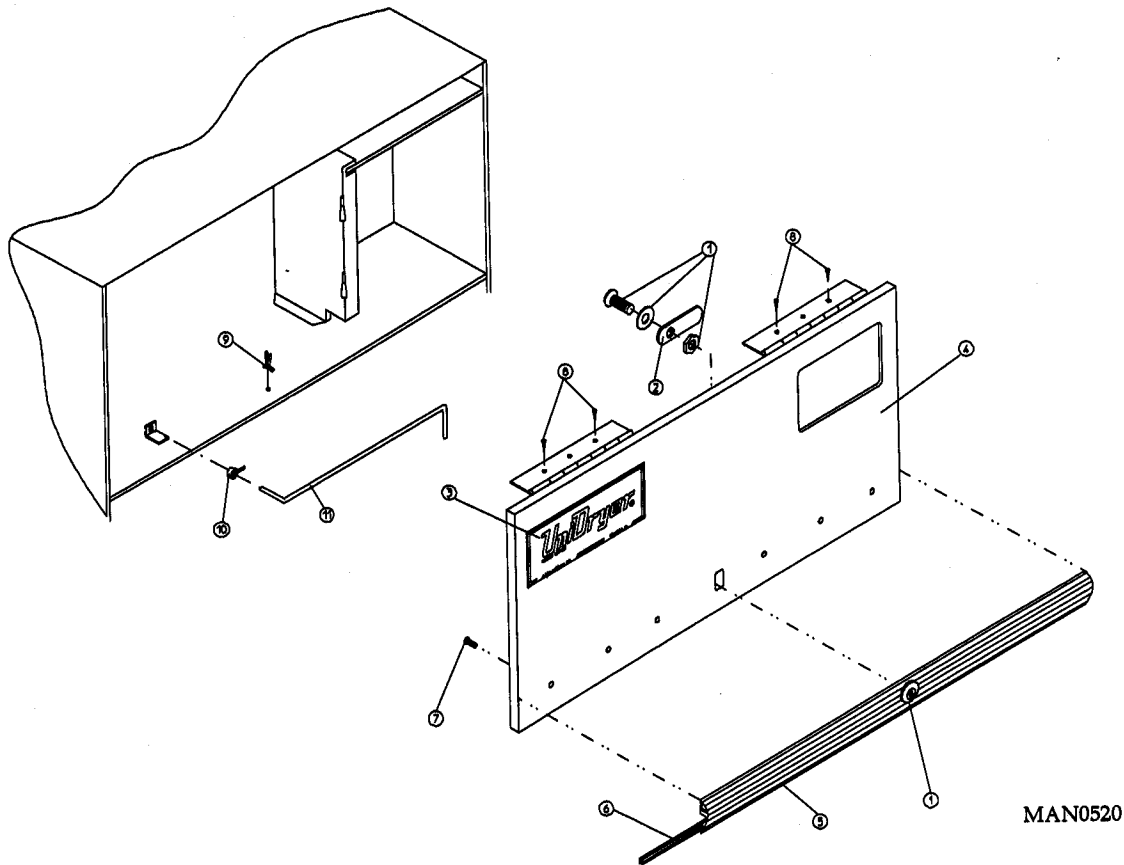
Replacement parts can be obtained from your distributor or the ADC factory. When ordering replacement parts from the factory, you can FAX your order to ADC at (508) 678-9447 or telephone your orders directly to the ADC Parts Department at (508) 678-9010. Please specify the dryer **model number** and **serial number** in addition to the **description** and **part number**, so that your order is processed accurately and promptly.

The illustrations on the following pages may not depict your particular dryer exactly. The illustrations are a composite of the various dryer models. Be sure to check the descriptions of the parts thoroughly before ordering.

INSTRUCTIONS TO BE FOLLOWED IN THE EVENT THE USER SMELLS GAS MUST BE POSTED IN A PROMINENT LOCATION. THE INSTRUCTIONS TO BE POSTED SHALL BE OBTAINED FROM THE LOCAL GAS SUPPLIER.

Table of Contents

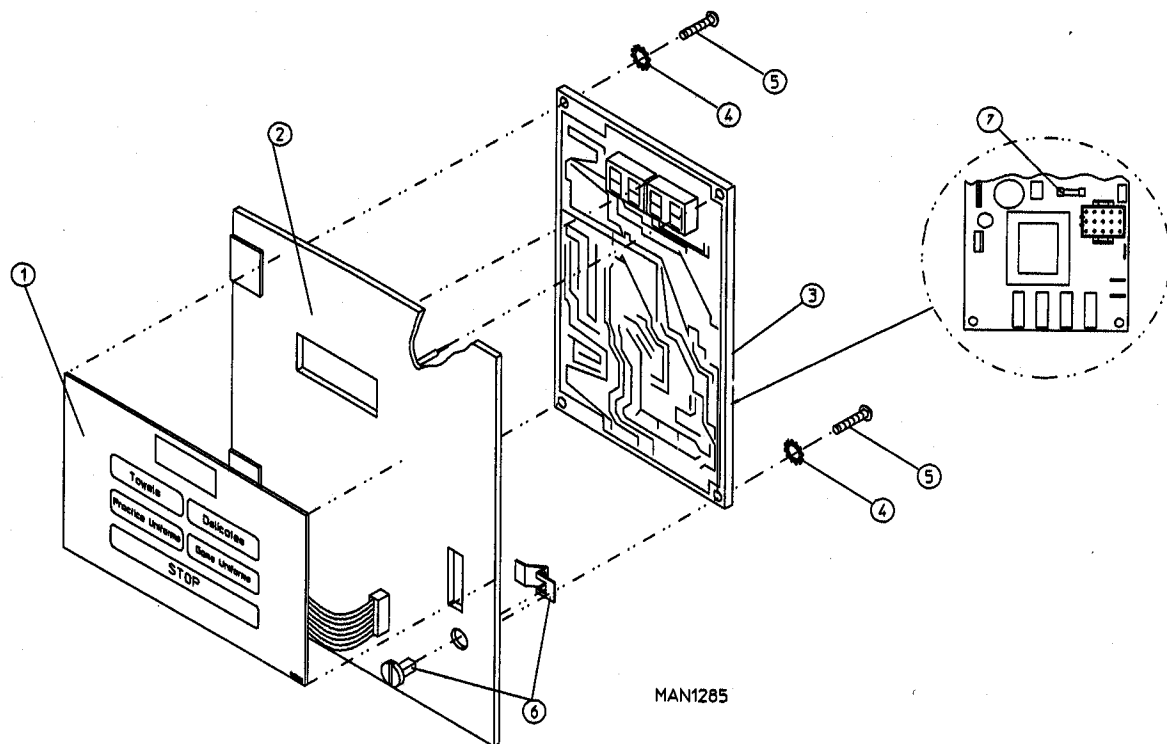
UD-50 High Security Control Door Assembly	2
Unisport [®] Microprocessor Control Panel Assembly	3
Phase 5 OPL Microprocessor Control Panel Assembly	4
Phase 5 OPL Microprocessor Control Box Assembly	5
Dual Timer Control Panel Assembly	6, 7
Dual Timer Control Box Assembly	8
Main Door Assembly	9
Front Panel Assembly	10
Main Door Switch Assembly	11
UD-50 Lint Trap Assembly	12
UD-50 Drop Lint Door Assembly	13
UD-50 Basket (Tumbler)/Support Assemblies	14, 15
Idler Bearing Assembly	16, 17
Tumbler Bearing Assembly	18, 19
Non-Reversing Totally Enclosed, Fan-Cooled (T.E.F.C.) Motor Mount Assembly	20, 21
Reversing Totally Enclosed, Fan-Cooled (T.E.F.C.) Motor Mount Assembly	22, 23
Sensor Bracket Assemblies	24, 25
Sail Switch/Hi-Limit Assembly	26, 27
Direct Spark Ignition (DSI) Burner Assembly	28, 29
Electric Oven Assembly	30, 31
UDS-50 Air Operated Steam Damper System	32, 33
UDS-50 Mechanical Steam Damper System Option	34, 35
Single-Phase Motor, Electric Relay Panel Assembly	36
3-Phase Motor, Electric Relay Panel Assembly	37
Microprocessor Reversing Rear Control Box Assembly	38
Dual Timer Reversing Rear Control Box Assembly	39
Outer Top/Back Guard Assemblies	40
Heat Reclaimer Assembly	41
UDG-50 DSI Burner Assembly Specifications	42
UDE-50 Electric Oven Chart	43
Additional Parts Available	44



MAN0520

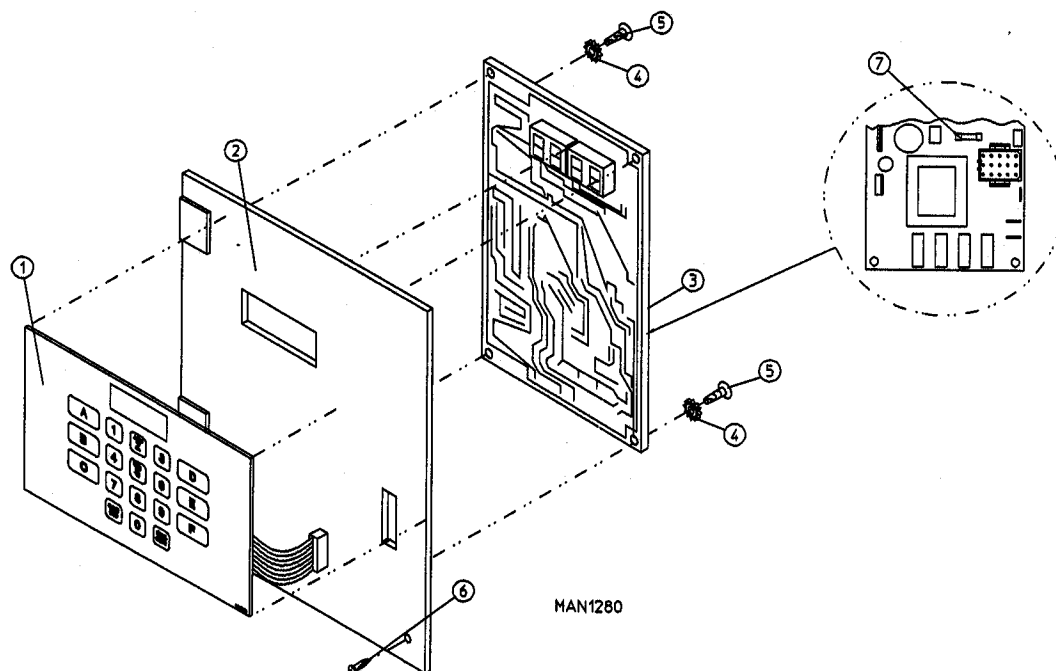
Illus. No.	Part No.	Qty.	Description
1	160017	1	Special Dummy Lock ONLY (for Non-Coin Models ONLY)
	160104	1	MK-100 Key ONLY (optional)
2	160016	1	Lock Cam ONLY
3	112312	1	UniDryer® Logo ONLY
	870011	1	Logo Double Sided Tape Kit
4	800021*	1	UD-50 High Security Control Door Assembly Less Lock (includes illus. nos. 4 through 7)
	800142	1	UD-50 High Security Stainless Steel Control Door Assembly less Lock (includes illus. nos. 4 through 7)
5	180202	1	UD-50 Top Trim Strip with Lock Hole
6	117603	3	Suppressor Tape / Gasket (sold in feet)
7	150201	6	#10-32 x 1/4" Phillips Round Head Machine Screw
8	150300	4	#10 x 1/2" Hex Washer TEK Screw
9	102600	1	Control Door Support Rod Catch
10	102601	1	Control Door Rod Retainer Clip
11	102502	1	Control Door Support Rod

* Specify color when ordering.



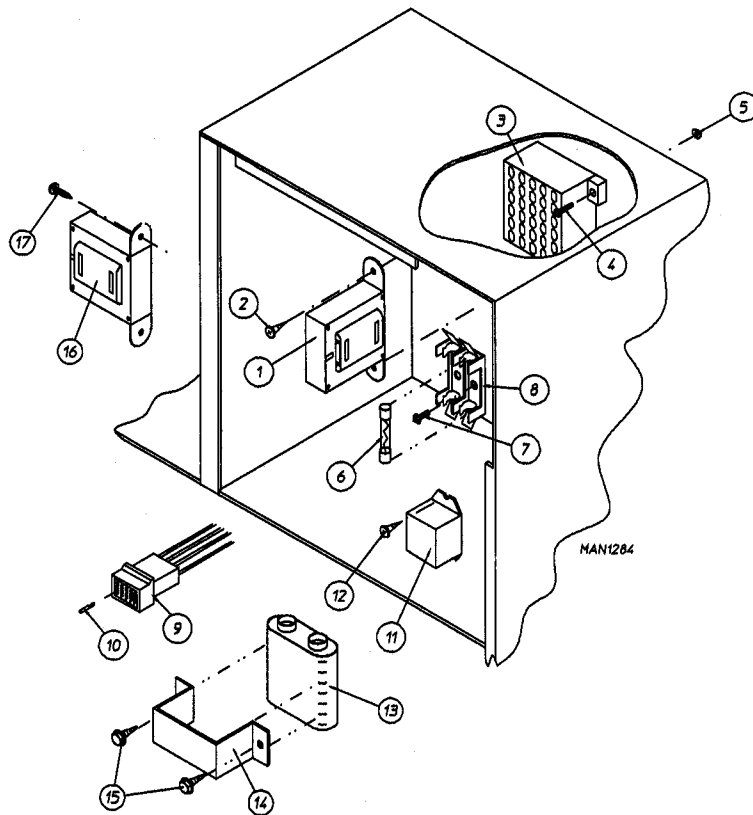
<u>Illus. No.</u>	<u>Part No.</u>	<u>Qty.</u>	<u>Description</u>
1	112523	1	Unisport® OPL Keyboard Label Assembly
2	801255	1	Phase 5 Microprocessor Control Panel ONLY
	801256	1	Phase 5 Microprocessor Control Panel ONLY with Battery Bracket
	801208	1	Unisport® Phase 5 OPL Reversing Microprocessor Control Panel Assembly Complete (includes illus. nos. 1 through 5)
	801209	1	UniSport® Phase 5 OPL Non-Reversing Microprocessor Control Panel Assembly Complete (includes illus. nos. 1 through 5)
3	137222	1	Phase 5 OPL Non-Reversing Microprocessor Controller ONLY
	137231	1	Phase 5 OPL Reversing Microprocessor Controller ONLY
	824998	1	Phase 5 OPL Battery Clip
4	153010	2	#6 Star Washer
5	150005	2	#6-32 x 3/4" Phillips Round Head Machine Screw
6	160005	1	Spring Turn Latch (2-Piece) For models mfd. prior to March 1, 1994
	150415	1	#10-16 x 1/2" Phillips Round Head Crimptite Screw ... Not Illustrated (for models mfd. as of March 1, 1994)
7	136048	1	1/8-Amp (Slo Blo) Fuse

IMPORTANT: Check label on computer chip to verify correct part number for controller.



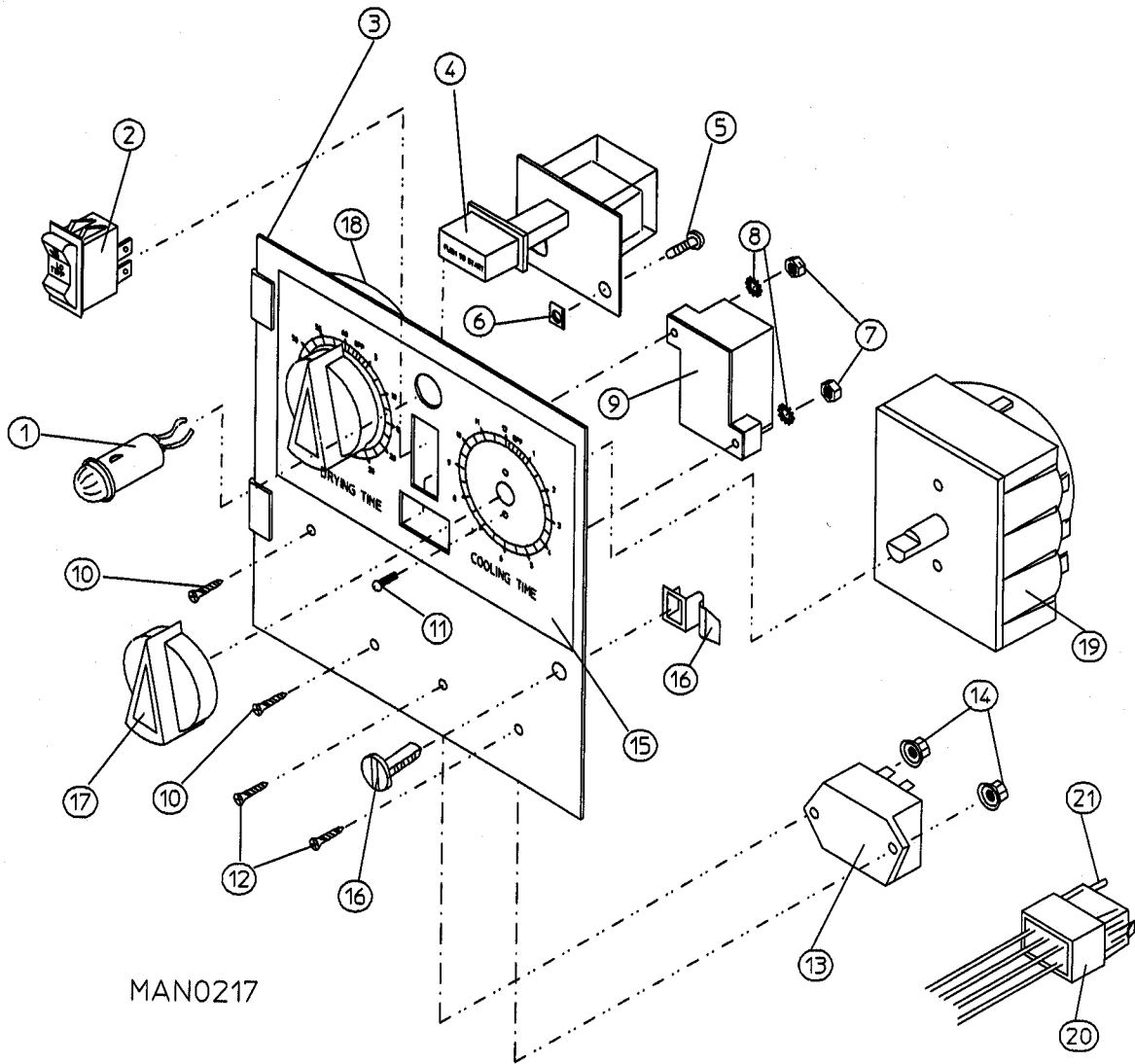
Illus. No.	Part No.	Qty.	Description
1	112535	1	OPL English Keyboard Label Assembly
	112276	1	OPL Stick-on Labels (English ONLY) ... Not Illustrated
	112275	1	OPL Stick-on Labels (Spanish, Italian, and Hebrew) ... Not Illustrated
	112277	1	OPL Stick-on Labels (English, Spanish, and Hebrew) ... Not Illustrated
	112278	1	OPL Stick-on Labels (Italian, Dutch, French, German, Chinese) ... Not Illustrated
2	801255	1	Phase 5 Microprocessor Control Panel ONLY
	801256	1	Phase 5 Microprocessor Control Panel ONLY with Battery Bracket
	801206	1	Phase 5 OPL Non-Reversing Microprocessor Control Panel Assembly Complete (includes illus. nos. 1 through 6)
	801207	1	Phase 5 OPL Reversing Microprocessor Control Panel Assembly Complete (includes illus. nos. 1 through 6)
3	137222	1	Phase 5 OPL Non-Reversing Microprocessor Controller ONLY
	137231	1	Phase 5 OPL Reversing Microprocessor Controller ONLY
	824998	1	Phase 5 OPL Battery Clip
4	153010	2	#6 Star Washer
5	150005	2	#6-32 x 3/4" Phillips Round Head Machine Screw
6	150415	1	#10-16 x 1/2" Phillips Round Head CrimpTite Screw (for models mfd. as of March 1, 1994)
			160005
7	136048	1	1/8-Amp (Slo Blo) Fuse

IMPORTANT: Check label on computer chip to verify correct part number for controller.



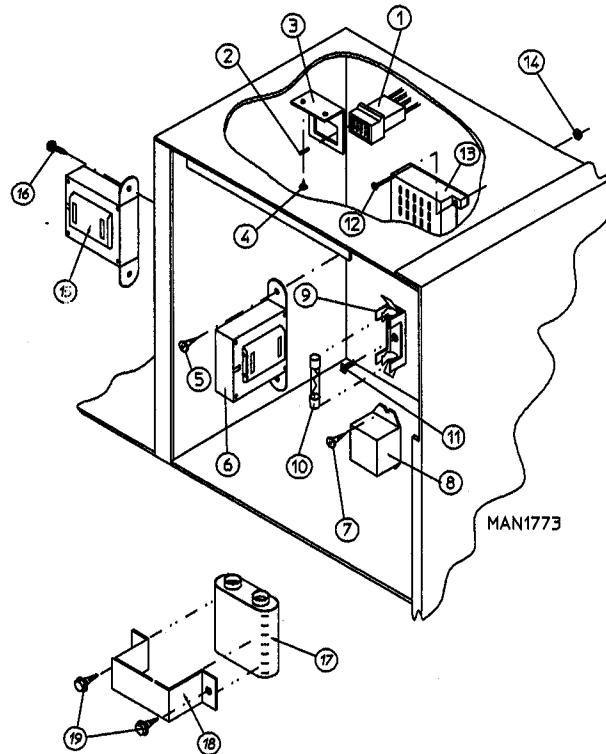
Illus. No.	Part No.	Qty.	Description
1	141403	1	24 VAC Transformer
2	150300	2	#10 x 1/2" Hex Washer TEK Screw
3	120715	1	30-Position Terminal Block
4	150002	2	#6-32 x 1" Phillips Round Head Screw
5	151000	2	#6-32 Pal Nut
6	136057	*	1/2-Amp (Slo Blo) Fuse ONLY
7	150301	*	#8-18 x 7/16" Phillips Pan Head TEK Screw
8	136008	*	Fuse Block/Strip ONLY
9	122641	1	15-Pin Microprocessor Connector
10	122706	*	Socket ONLY
11	131931	1	Steam Valve Relay - 24 VAC (for Optional Mechanical Steam Damper Models ONLY)
12	150415	2	#10-16 x 1/2" Phillips Round Head Crimptite Screw
13	137035	1	Motor Capacitor (for Optiona; Mechanical Steam Damper Models ONLY)
14	323583	1	Capacitor Bracket (for Optional Mechanical Steam Damper Models ONLY)
15	150300	2	#10 x 1/2" Hex Washer TEK Screw
16	132002	1	Transformer (for Optional Mechanical Steam Damper Models 208 volts and higher)
17	150300	2	#10 x 1/2" Hex Washer TEK Screw

* As required.



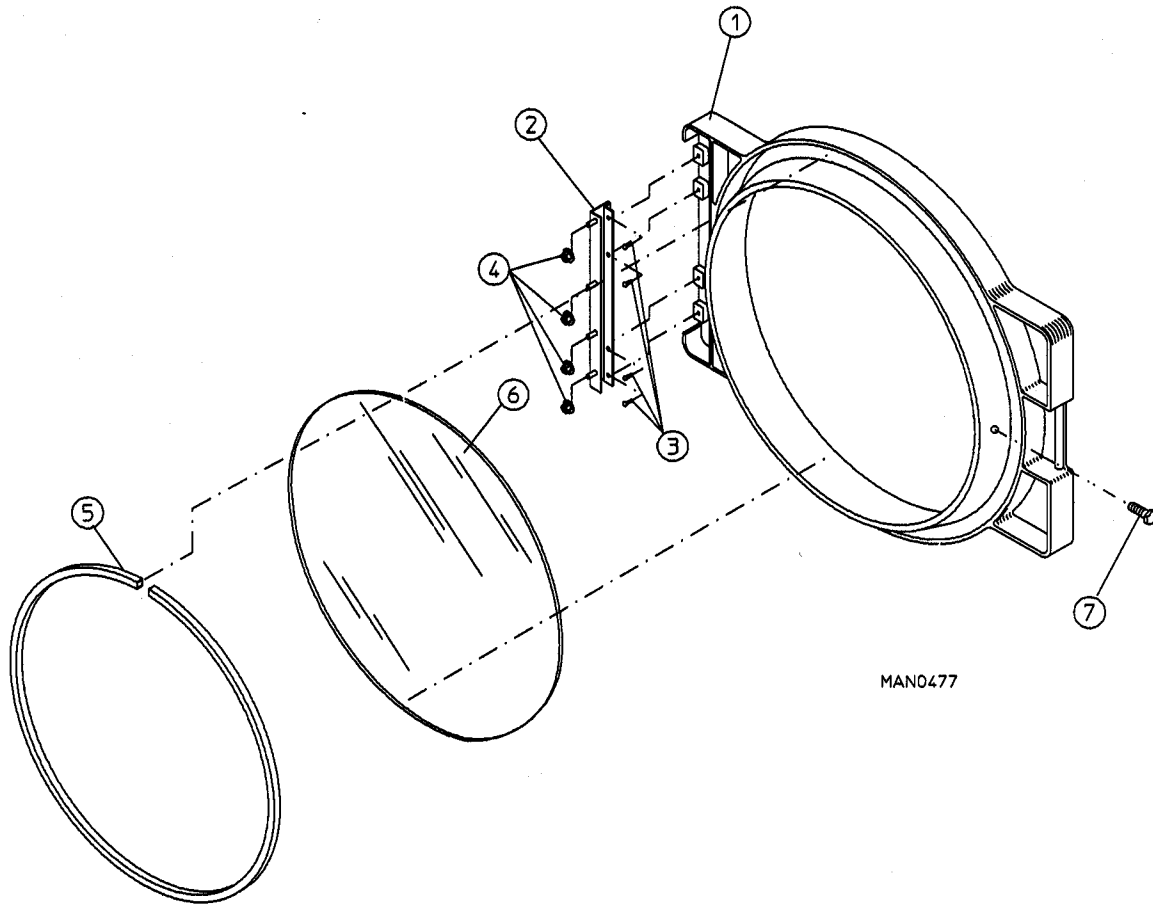
MAN0217

<u>Illus. No.</u>	<u>Part No.</u>	<u>Qty.</u>	<u>Description</u>
1	123005	1	Red Indicator Light - 24 VAC
2	122400	1	Rocker Heat Selector Switch
3	824015	1	Dual Timer Control Panel Assembly Complete - 24 VAC (includes illus. nos. 1 through 21)
	800051	1	Dual Timer Control Panel ONLY
4	131917	1	Push-to-Start Relay - 24 VAC
5	150207	2	#10-24 x 1/2" Round Head Machine Screw
6	154001	2	#10-24 Speed Nut
7	152000	2	#6-32 Hex Nut
8	153010	2	#6 Star Washer
9	120730	1	30-Position Terminal Block (for models mfd. as of May 2, 1993)
	120713	1	18-Position Terminal Block (for models mfd. prior to May 2, 1993)
10	150002	2	#6-32 x 1" Round Head Machine Screw
11	150110	4	#8-32 x 1/4" Phillips Head Machine Screw
12	150001	2	#6-32 x 1/2" Round Head Machine Screw
13	131931	1	Dual Timer Relay - 24 VAC
14	151000	2	#6-32 Pal Nut
15	112050	1	Dual Timer Label ONLY
16	160005	1	Spring Turn Latch (2-Piece)
17	124103	2	Arrow Timer Knob
18	124025	1	60-Minute Timer - 24 VAC
19	124030	1	15-Minute Timer - 24 VAC
20	122602	1	9-Pin Connector ONLY
21	122700	8	Pin Terminal ONLY
—	122801	1	Pin/Socket Extraction Tool



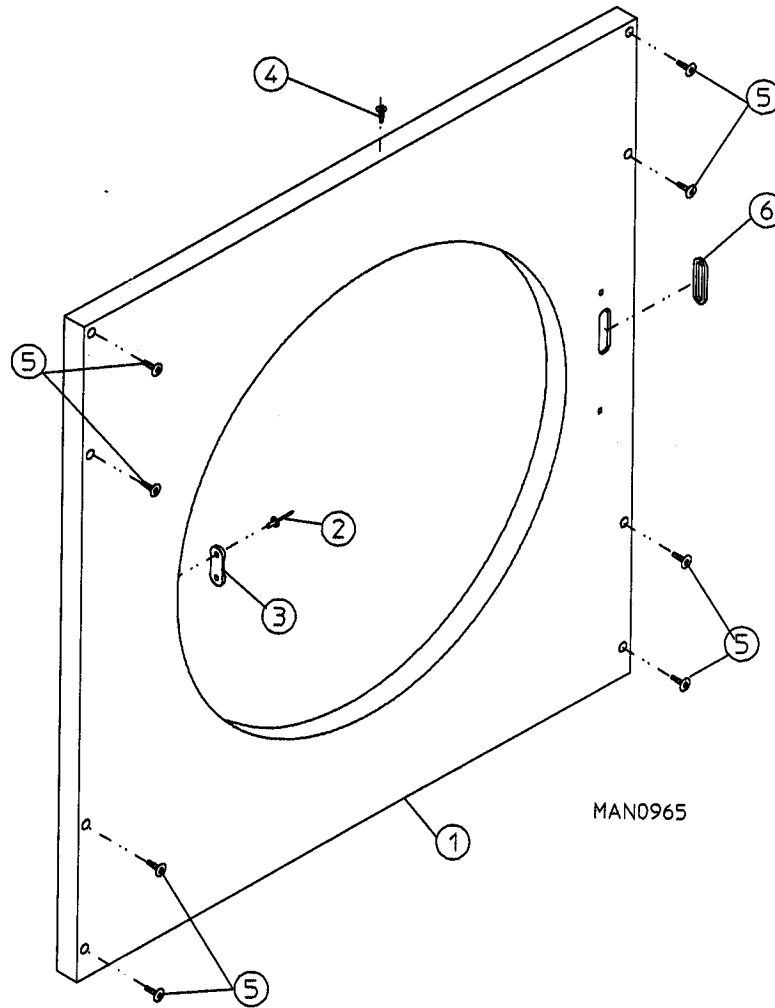
Illus. No.	Part No.	Qty.	Description
1	122603	1	9-Pin Socket Connector
2	122701	8	Socket Terminal ONLY
	122801	1	Pin/Socket Extraction Tool
3	315010	1	9-Pin Connector Bracket
4	150300	2	#10 x 1/2" Hex Washer TEK Screw
5	150300	2	#10 x 1/2" Hex Washer TEK Screw
6	141403	1	24 VAC Transformer
7	150415	2	#10-16 x 1/2" Phillips Round Head Crimptite Screw
8	131931	1	Steam Valve Relay - 24 VAC (for Optional Mechanical Steam Damper Models ONLY)
9	136008	*	Fuse Block/Strip ONLY
10	136057	*	1/2 Amp (Slo Blo) Fuse
11	150301	*	#8-18 x 7/16" Phillips Pan Head TEK Screw
12	150002	2	#6-32 x 1" Phillips Round Head Machine Screw
13	120715	1	30-Position Terminal Block
14	151000	2	#6-32 Pal Nut
15	132002	1	Transformer (for mechanical steam damper 208 volt and higher models)
16	150300	2	#10 x 1/2" Hex Washer TEK Screw
17	137035	1	Motor Capacitor (for Optional Mechanical Steam Damper Models ONLY)
18	323583	1	Capacitor Bracket (for Optional Mechanical Steam Damper Models ONLY)
19	150300	2	#10 x 1/2" Hex Washer TEK Screw (for Optional Mechanical Steam Damper Models ONLY)

* As required...check fusing on dryer for verification.



Illus. No.	Part No.	Qty.	Description
------------	----------	------	-------------

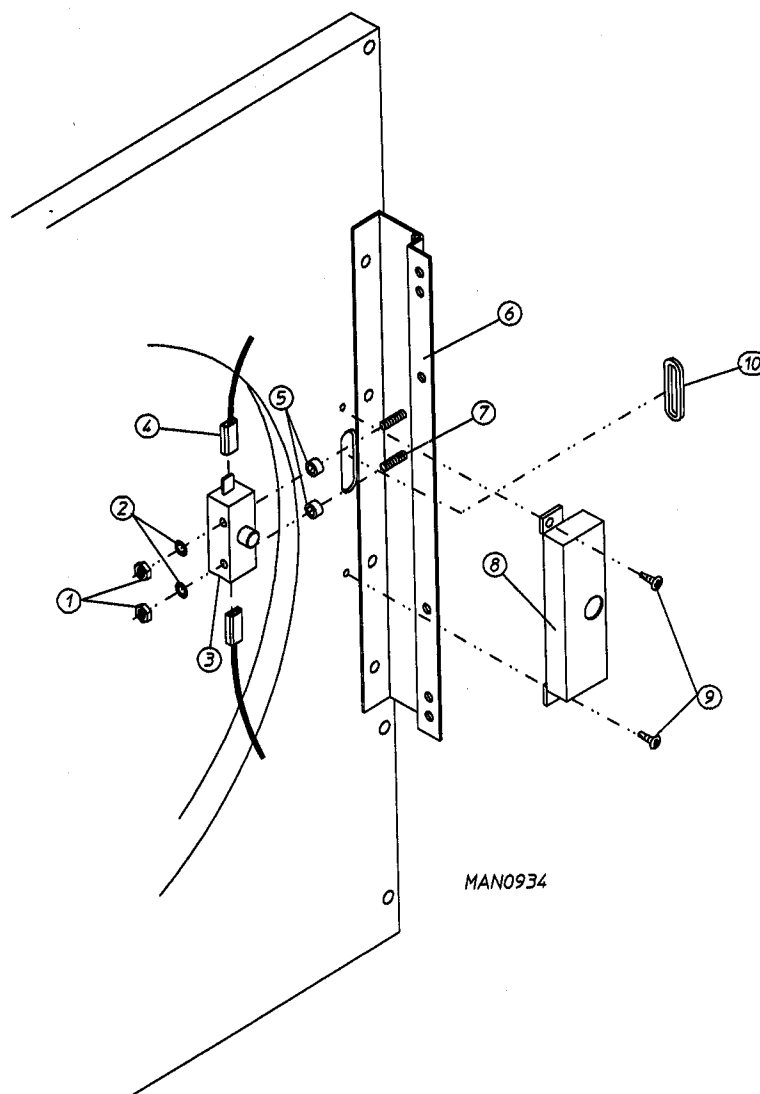
1	800285	1	Gray Main Door Assembly (Latch Type) Complete (includes illus. nos. 1, 5, 6, and 7)
2	800448	1	12-1/2" Stainless Steel Main Door Hinge Assembly
3	150410	4	#10-24 x 3/8" Phillips Pan Head Taptite Screw
4	152014	4	#1/4-20 Free Spin Wash Nut
5	102353	1	69-1/2" Main Door Gasket
	170730	1	Main Door Gasket Adhesive (10.7 oz. cartridge)
6	102210	1	20-7/16" Door Glass
	170730	1	Main Door Glass Adhesive (10.3 oz cartridge)
7	150431	1	Main Door Latch Screw (#10 x 7/16" Dome Hex Head Screw)



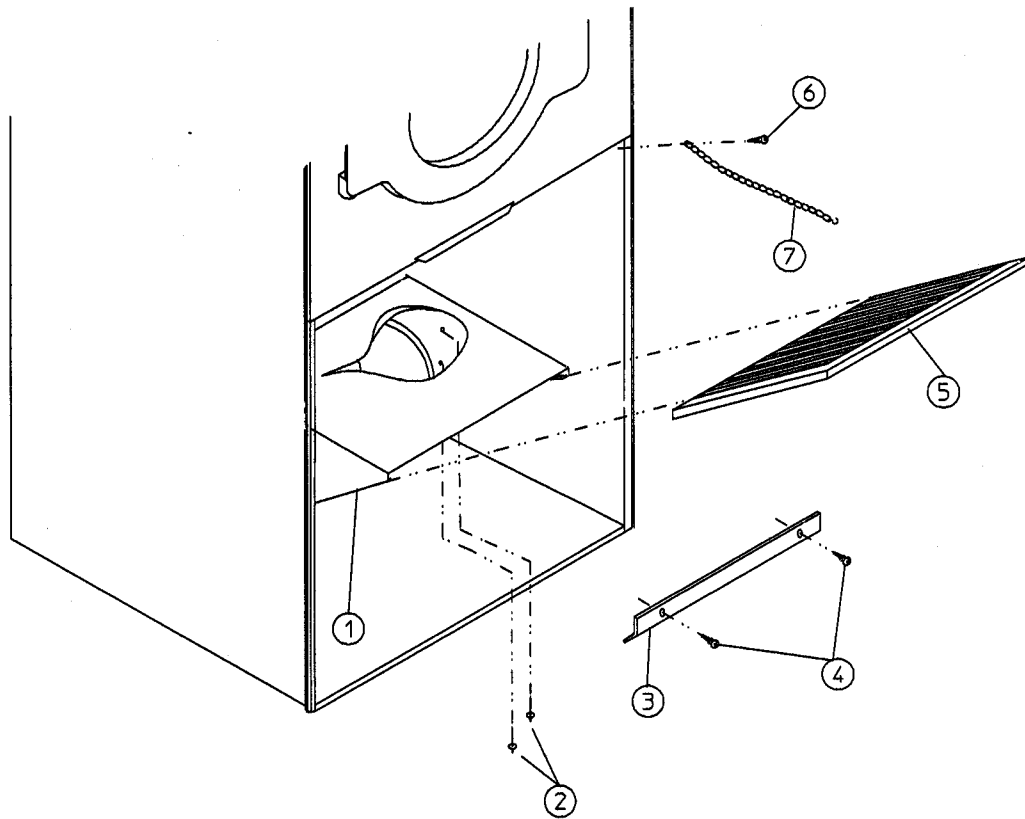
Illus. No.	Part No.	Qty.	Description
------------	----------	------	-------------

1	875302*	1	UD-50 R.H. Insulated Front Panel Assembly (Latch Type) Complete (includes illus. nos. 1, 2, 3, and 6)
	875313	1	UD-50 Stainless Steel R.H. Insulated Front Panel Assembly (Latch Type) Complete (includes illus. nos. 1, 2, 3, and 6)
2	154215	2	1/8" Pop Rivet
3	170330	1	Friction Door Latch
4	150300	1	#10 x 1/2" Hex Washer TEK Screw
5	150415	8	#10-16 x 1/2" Phillips Round Head Crimpite Screw
6	121405	1	Rubber Grommet

* Specify color when ordering.

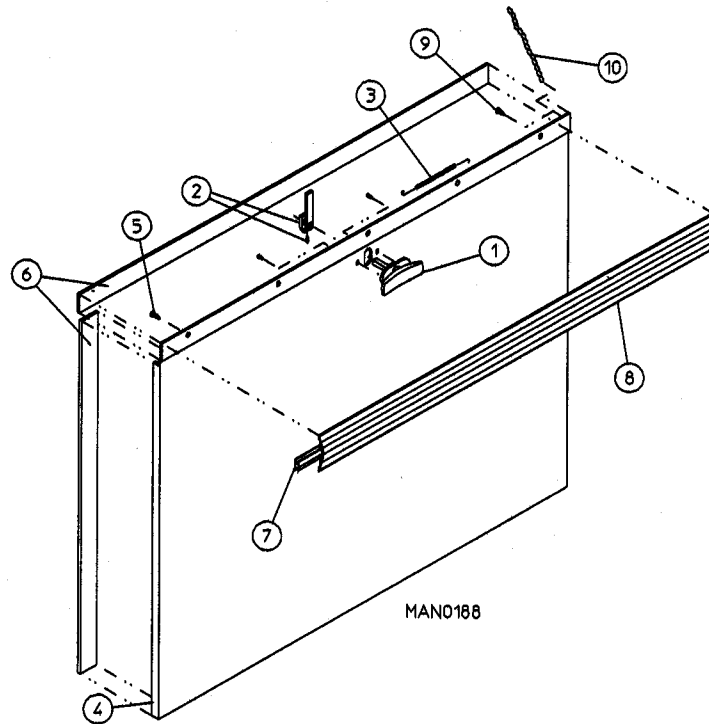


Illus. No.	Part No.	Qty.	Description
1	152013	2	#6-32 Hex Nut
2	153008	2	#6 Lock Washer
3	137005	1	Single-Pole Door Switch
4	121028	2	Insulated Female Terminal
5	154281	2	3/8" Standard Nylon Spacers
6	800448	1	12-1/2" Stainless Steel Main Door Hinge Assembly (includes illus. nos. 6 and 7)
7	153565	2	#6 Stud
8	313218	1	Main Door Switch Housing ONLY
9	150201	2	#10-32 x 1/4" Phillips Pan Head Screw
10	121405	1	Rubber Grommet



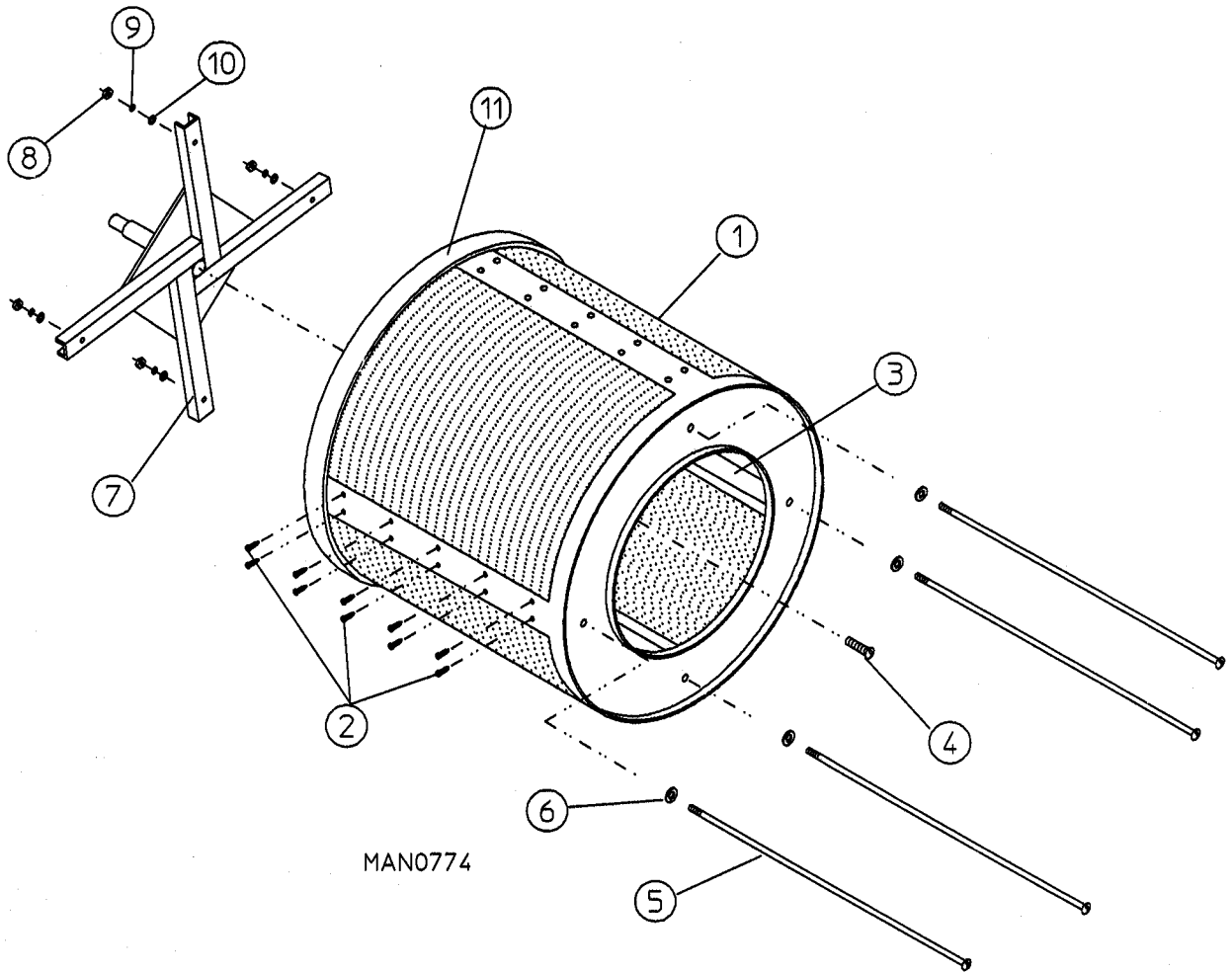
MAN0107

<u>Illus. No.</u>	<u>Part No.</u>	<u>Qty.</u>	<u>Description</u>
1	800402	1	UD-50 Lint Trap Assembly Complete (includes illus. nos. 1, 3, 4, and 5)
	800404	1	UD-50 Lint Trap ONLY
	800407	1	UD-50 Reversing Lint Trap Assembly Complete (includes illus. nos. 1, 3, 4, and 5)
	800406	1	UD-50 Reversing Lint Trap ONLY
2	154200	7	5/32" Pop Rivet
3	304101	1	UD-50 Lint Screen Holder ONLY
4	150300	3	#10 x 1/2" Hex Washer TEK Screw
5	800501	1	UD-50 Lint Screen ONLY
6	150419	2	#6 x 1/2" Tamper Proof TEK Screw
7	108120	1	Chain for Drop Lint Door
-	150418	1	Tamper Proof Screw Hand Driver



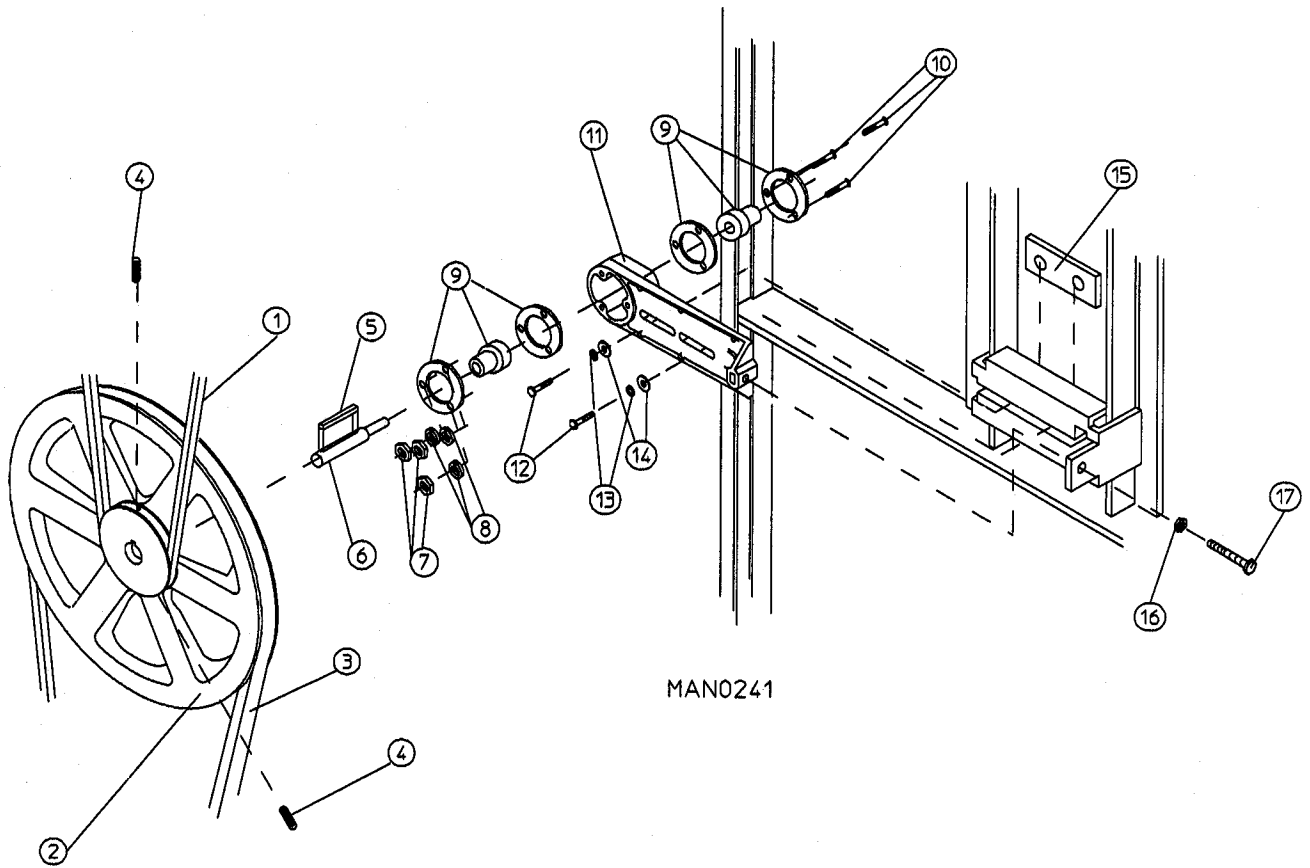
Illus. No.	Part No.	Qty.	Description
1	800150	1	Knob Latch Kit Assembly (for Non-Coin Models)
	160200	1	Knob Latch with Two (2) Screws (for Non-Coin Models)
	160003	1	Dummy Lock Only (for Non-Coin Models)
	160104	1	MK-100 Key Only (optional)
2	160008	1	Lock Cam For AD-100 and Dummy Lock
	160009	1	Knob Latch Adjustable Cam (for Knob Latch)
	150425	1	#12-24 x 3/8" Round Head Machine Screw (for Knob Latch Adjustable Cam)
3	157000	1	Drop Lint Door Spring
4	800217*	1	UD-50 Drop Lint Door Assembly (includes illus. nos. 4 through 8)
	800235*	1	UD-50 Insulated Drop Lint Door Assembly (includes illus. nos. 4 through 8)
	800241	1	UD-50 Stainless Steel Drop Lint Door Assembly (includes illus. nos. 4 through 8)
5	150201	6	#10-32 x 1/4" Phillips Pan Head Machine Screw
6	117600	7	Noise Suppressor Tape (sold in feet)
7	117603	3	Suppressor Tape/Gasket (sold in feet)
8	180212	1	UD-50 Trim/Kick Plate (38-1/4" Long)
9	150419	2	#6 x 1/2" Tamperproof TEK Screw
	150418	1	Tamperproof Screw Hand Driver
10	108120	1	Chain For Drop Lint Door

* Specify color when ordering.



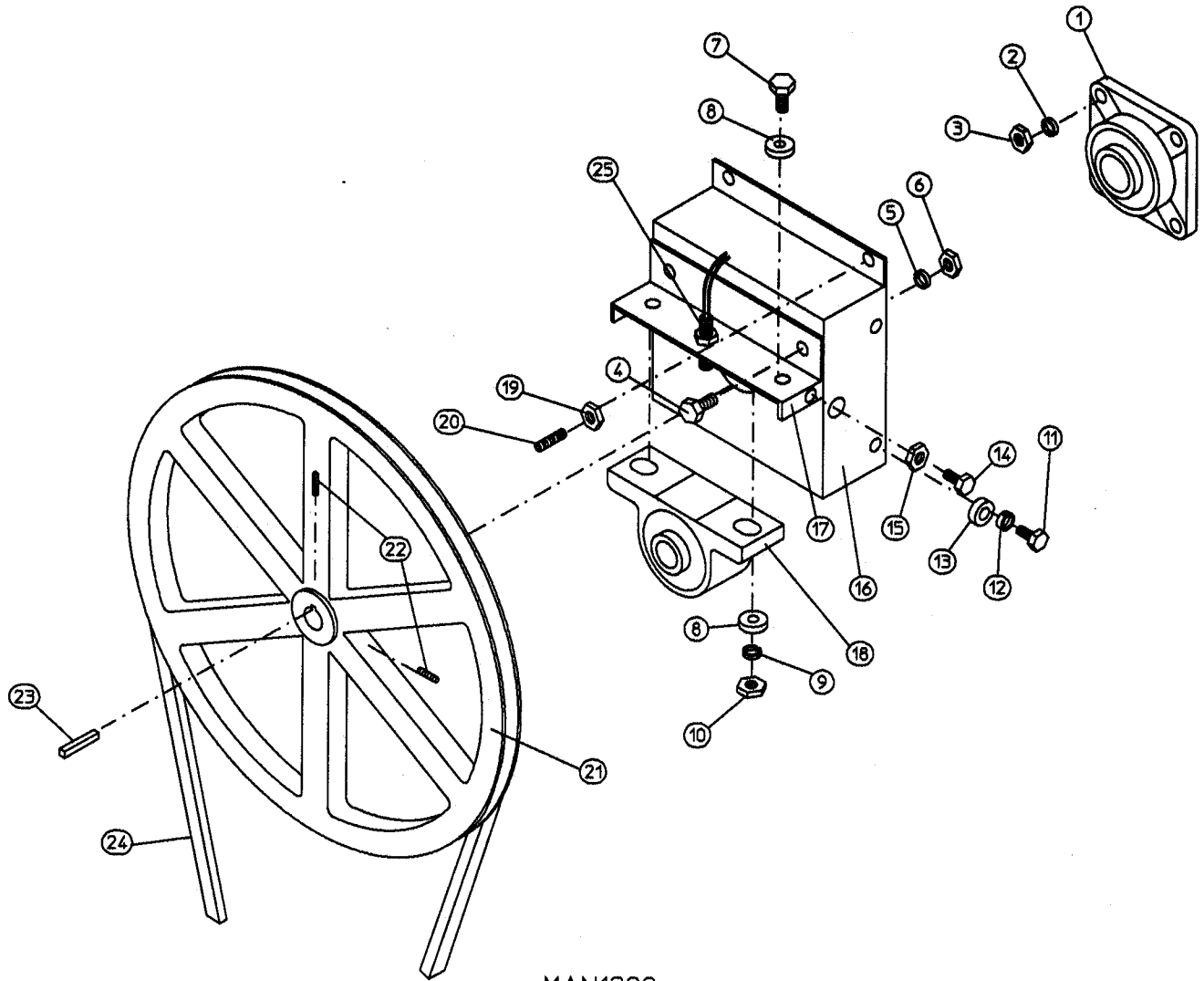
<u>Illus. No.</u>	<u>Part No.</u>	<u>Qty.</u>	<u>Description</u>
1*	800706	1	UD-50 Tumbler ONLY (without felt collar)
	800856	1	UD-50 Stainless Steel Tumbler ONLY (without felt collar)
	800922	1	UD-50 Non-Reversing Tumbler and Support Assembly Complete (includes illus. nos. 1 through 10) For models mfd. as of January 4, 1993
	800806	1	UD-50 Non-Reversing Tumbler and Support Assembly Complete (includes illus. nos. 1 through 10) For models mfd. prior to January 4, 1993
	800894	1	UD-50 Stainless Steel Non-Reversing Tumbler and Support Assembly Complete (includes illus. nos. 1 through 10) For models mfd. as of January 4, 1993
	800866	1	UD-50 Stainless Steel Non-Reversing Tumbler and Support Assembly Complete (includes illus. nos. 1 through 10) For models mfd. prior to January 4, 1993
	800818	1	UD-50 Reversing Tumbler and Support Assembly Complete (includes illus. nos. 1 through 10)
	800875	1	UD-50 Stainless Steel Reversing Tumbler and Support Assembly Complete (includes illus. nos. 1 through 10)
2	150415	40	#10-16 x 1/2" Phillips Round Head Crimptite Screw
3	301301	4	UD-50 Tumbler Rib Only
	301401	4	UD-50 Stainless Steel Tumbler Rib Only
4	150500	1	#5/16-18 x 3/4" Socket Button Head Screw
5	100902	4	5/16-18 x 31" Tie Rod
6	153001	4	5/16" Flat Washer
7	800613	1	UD-50 Non-Reversing Tumbler Support (for models mfd. as of January 4, 1993)
	800606	1	UD-50 Non-Reversing Tumbler Support (for models mfd. prior to January 4, 1993)
	800615	1	UD-50 Reversing Tumbler Support ONLY
8	152004	4	#5/16-18 Hex Nut
9	153002	4	5/16" Lock Washer
10	153001	4	5/16" Flat Washer
11	116002	1	Felt Collar ONLY
—	401010	1	#847 Adhesive for Felt Collar (5.0 oz. tube)

* Felt collar not included and must be ordered separately.



MAN0241

<u>Illus. No.</u>	<u>Part No.</u>	<u>Qty.</u>	<u>Description</u>
1	100106	1	5L690 "V" Belt (idler to basket/tumbler)
2	101140	1	14" x 3" Compound Pulley
3	100114	1	4L630 "V" Belt (idler to motor)
4	154301	2	#5/16-18 x 5/16" Allen Set Screw
5	100705	1	3/16" x 3/16" x 1-3/8" Key
6	301850	1	5/8" x 3/4" Idler Shaft ONLY
7	152002	3	#1/4-20 Hex Nut
8	153007	3	1/4" Lock Washer
9	100214	2	5/8" Flange Bearing
10	150521	3	#1/4-20 x 2" Carriage Bolt
11	801007	1	Idler Bearing Assembly Complete (includes illus. nos. 5 through 17)
12	150617	2	#3/8-16 x 1" Hex Head Machine Bolt
13	153005	2	3/8" Lock Washer
14	153004	2	3/8" Flat Washer
15	801009	1	Idler Square Washer
16	152004	1	#5/16-18 Hex Nut
17	150509	1	#5/16-18 x 3" Hex Head Machine Bolt

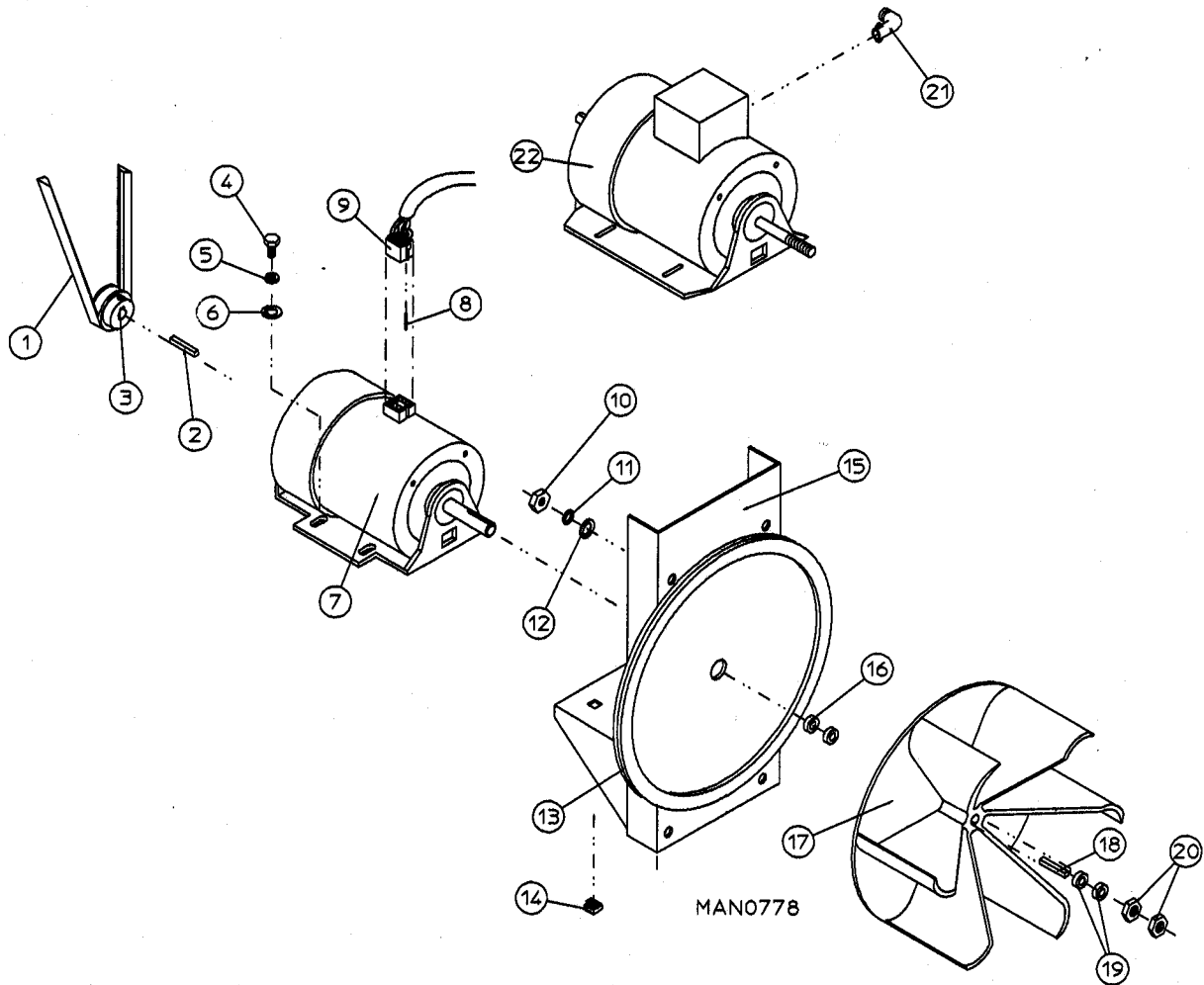


MAN1299

Illus. No.	Part No.	Qty.	Description
1	100203	1	1-3/8" Flange Bearing ONLY (for Non-Reversing Models ONLY) For models mfd. prior to January 4, 1993
	100220	1	1-3/4" Flange Bearing (for ALL Reversing Models and Non-Reversing Models mfd. as of January 4, 1993)
2	153025	4	9/16" Lock Washer (for ALL Reversing Models and Non-Reversing Models mfd. as of January 4, 1993)
	153005	4	3/8" Lock Washer (for Non-Reversing Models mfd. prior to January 4, 1993)
3	152050	4	#9/16-12 Hex Nut (for ALL Reversing Models and Non-Reversing Models mfd. as of January 4, 1993)
	152005	4	#3/8-16 Hex Nut (for Non-Reversing Models mfd. prior to January 4, 1993)

<u>Illus. No.</u>	<u>Part No.</u>	<u>Qty.</u>	<u>Description</u>
4	150508	2	#3/8-16 x 3/4" Hex Head Machine Bolt
5	153005	2	3/8" Lock Washer
6	152005	2	#3/8-16 Hex Nut
7	150600	2	#3/8-16 x 1 1/2" Hex Head Machine Bolt
8	153004	*	3/8" Flat Washer
9	153005	2	3/8" Lock Washer
10	152005	2	#3/8-16 Hex Nut
11	150501	4	#5/16-18 x 3/4" Hex Head Machine Bolt
12	153002	4	5/16" Lock Washer
13	153001	4	5/16" Flat Washer
14	150621	2	#5/16-18 x 1-1/2" Hex Head Machine Bolt
15	152004	2	#5/16-18 Hex Nut
16	801101	1	1-3/8" Bearing Box Assembly Complete (includes illus. nos. 4 through 20) For models mfd. <i>without</i> Rotational Sensor
	801103	1	1-3/8" Bearing Box and Support ONLY (includes illus. nos. 4, 5, 6, 16, and 17)
	801105	1	1-3/8" Bearing Box ONLY
17	801104	1	Pillow Block Bearing Support ONLY
18	880779	1	1-3/8" Pillow Block Bearing with Magnet (for models mfd. <i>with</i> Rotational Sensor)
	100202	1	1-3/8" Pillow Block Bearing ONLY
19	152004	2	#5/16-18 Hex Nut
20	150608	2	#5/16-18 x 1-1/4" Allen Set Screw
21	101100	1	18" Pulley (for Non-Reversing Models ONLY)
	101118	1	18-3/4" Pulley (for Reversing Models ONLY)
	101119	1	1-3/8" Taper Lock Hub (key not included) For Reversing Models ONLY
	100735	1	Shaft Key (for taper lock hub)
22	154301	2	#5/16-18 x 5/16" Allen Set Screw
23	100713	1	1/4" x 1/4" x 7/8" Key
24	100106	1	5L690 "V" Belt (basket/tumbler to idler)
25	824807	1	Rotational Sensor Assembly

* As required.

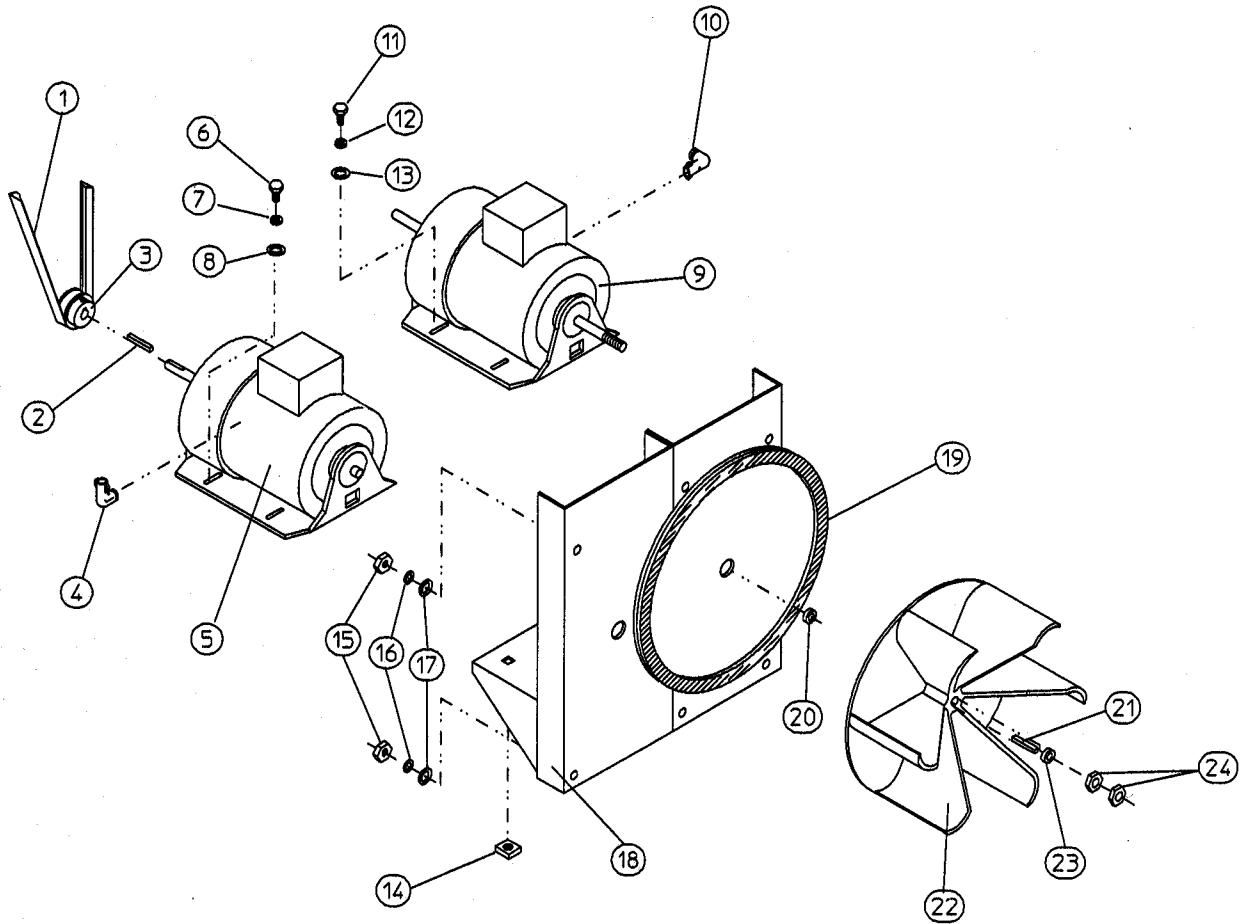


Illus. No.	Part No.	Qty.	Description
------------	----------	------	-------------

1	100114	1	4L630 "V" Belt (to idler assembly)
2	100701	1	3/16" x 3/16" x 1" Key (for use on 3Ø Models ONLY)
3	101133	1	5/8" x 2-1/4" Motor Pulley (for 60 Hz Models ONLY)
	101130	1	5/8" x 2-1/2" Motor Pulley (for 50 Hz Models ONLY)
4	150501	4	#5/16-18 x 3/4" Hex Head Machine Bolt
5	153002	4	5/16" Lock Washer
6	153001	4	5/16" Flat Washer
7	100069	1	3/4 HP 115/230v 1Ø T.E.F.C. Motor with Plug (56Z Frame) For 60 Hz Models ONLY (for models mfd. as of September 14, 1992)
	100068	1	3/4 HP 240v 1Ø T.E.F.C. Motor with Plug (56Z Frame) For 50 Hz Models ONLY (for models mfd. as of September 14, 1992)
8	122701	8	Socket Terminal ONLY
	122801	1	Pin/Socket Extraction Tool
9	137030	1	8-Pin Housing Connector

<u>Illus. No.</u>	<u>Part No.</u>	<u>Qty.</u>	<u>Description</u>
10	152004	4	#5/16-18 Hex Nut
11	153002	4	5/16" Lock Washer
12	153001	4	5/16" Flat Washer
13	117600	4	Noise Suppressor Tape (sold in feet)
14	154000	4	#5/16-18 Tinnerman Nut
15	800906	1	Non-Reversing Motor Mount Only (56Z Frame)
	803774*	1	3/4 HP 115/230v 60Hz 1Ø T.E.F.C. Motor Mount Assembly Complete with Plug Motor (includes illus. nos. 3 through 7 and 13 through 20) For models mfd. as of September 14, 1992
	803772*	1	3/4 HP 115/230v 60Hz 1Ø Non-Reversing T.E.F.C. Motor Mount Assembly Complete (non-pug type) (includes illus. nos. 3 through 6 and 13 through 22) For models mfd. prior to September 14, 1992
	803785	1	3/4 HP 230v 50Hz 1Ø T.E.F.C. Motor Mount Assembly Complete with Plug Motor (includes illus. nos. 3 through 7 and 13 through 20) For models mfd. as of September 14, 1992
	803778	1	3/4 HP 230v 50Hz 1Ø Non-Reversing T.E.F.C. Motor Mount Assembly Complete (non-pug type) (includes illus. nos. 3 through 6 and 13 through 22) For models mfd. prior to September 14, 1992
	803771*	1	1/2 HP 208/230/380/460v 60Hz 3Ø Non-Reversing T.E.F.C. Motor Mount Assembly Complete (includes illus. nos. 2 through 6 and 13 through 22)
	803776*	1	1/2 HP 208/230/380/460v 50Hz 3Ø Non-Reversing T.E.F.C. Motor Mount Assembly Complete (includes illus. nos. 2 through 6 and 13 through 22)
16	153050	2	1/2" S.A.E. Flat Washer
17	100604	1	12-1/2" Impellor (Fan) with 1/2" Bore
18	100702	1	1/8" x 1/8" x 1-1/2" Key
19	153050	2	1/2" S.A.E. Flat Washer
20	152006	2	#1/2-20 Left Hand Jam Nut
21	120200	1	3/8" x 90° Connector
22	100033	1	3/4 HP 115/230v 1Ø T.E.F.C. Motor 56Z Frame (for 60 Hz Models ONLY) For models mfd. prior to September 14, 1992
	100034	1	3/4 HP 240v 1Ø T.E.F.C. Motor 56Z Frame (for 50 Hz Models ONLY) For models mfd. prior to September 14, 1992
	100007	1	1/2 HP 208/230/380/460v 3Ø 50/60Hz T.E.F.C. Motor

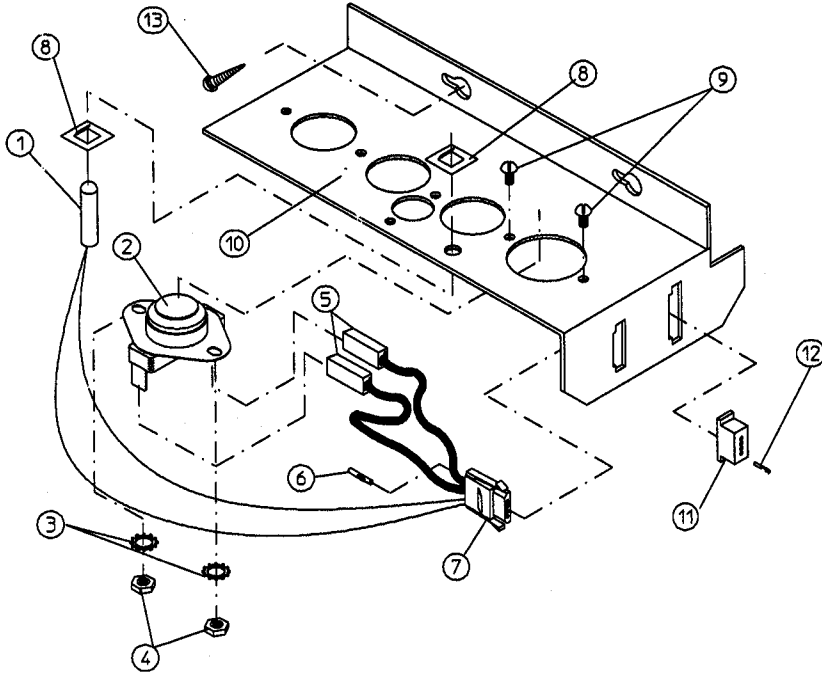
* Specify voltage when ordering.



MAN0250

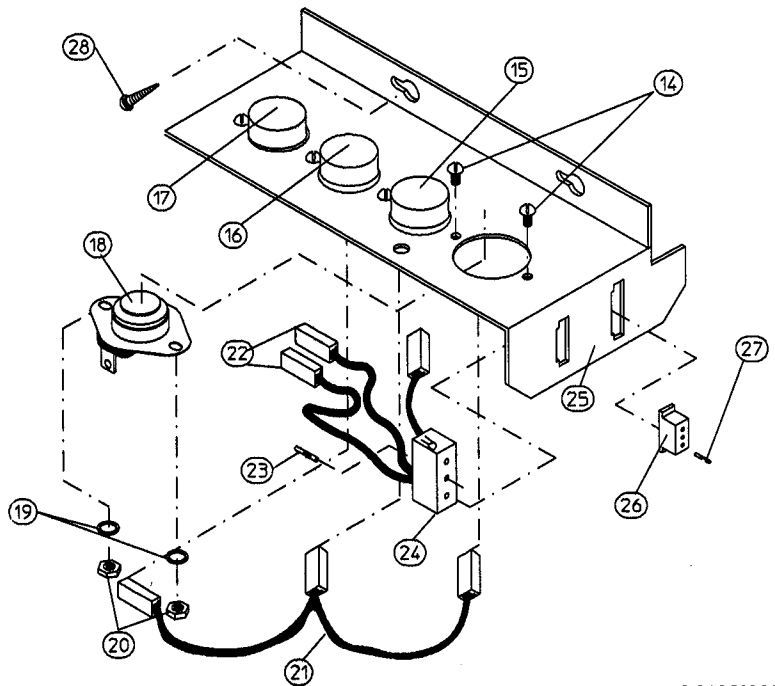
Illus. No.	Part No.	Qty.	Description
1	100114	1	4L630 "V" Belt (to idler assembly)
2	100701	1	3/16" x 3/16" x 1" Key
3	101133	1	5/8" x 2-1/4" Motor Pulley (for 60Hz Models ONLY)
	101130	1	5/8" x 2-1/2" Motor Pulley (for 50Hz Models ONLY)
4	120200	1	3/8" x 90° Connector
5	181003	1	1/2 HP 208/230/380/460v 50/60Hz 3Ø Motor
6	150501	4	#5/16-18 x 3/4" Hex Head Machine Bolt
7	153002	4	5/16" Lock Washer
8	153001	4	5/16" Flat Washer
9	100007	1	1/2 HP 208/230/380/460v 50/60Hz 3Ø T.E.F.C. Motor (56Z Frame)
10	120200	1	3/8" x 90° Connector
11	150501	4	#5/16-18 x 3/4" Hex Head Machine Bolt
12	153002	4	5/16" Lock Washer
13	153001	4	5/16" Flat Washer
14	154000	8	#5/16-18 Tinnerman Nut
15	152004	4	#5/16-18 Hex Nut
16	153002	4	5/16" Lock Washer
17	153001	4	5/16" Flat Washer
18	800912	1	Reversing Motor Mount Only (56Z Frame)
	803993*	1	UD-50 Reversing T.E.F.C. Motor Mount Assembly Complete (includes illus. nos. 2 through 14, and 18 through 24) For 60 Hz Models ONLY
	803994*	1	UD-50 Reversing T.E.F.C. Motor Mount Assembly Complete (includes illus. nos. 2 through 14, and 18 through 24) For 50 Hz Models ONLY
19	117600	4	Noise Suppressor Tape (sold in feet)
20	153050	2	1/2" S.A.E. Flat Washer
21	100702	1	1/8" x 1/8" x 1-1/2" Key
22	100604	1	12-1/2" Impellor (Fan) with 1/2" Bore
23	153050	2	1/2" S.A.E. Flat Washer
24	152006	2	#1/2-20 Left Hand Jam Nut

* Specify voltage when ordering.



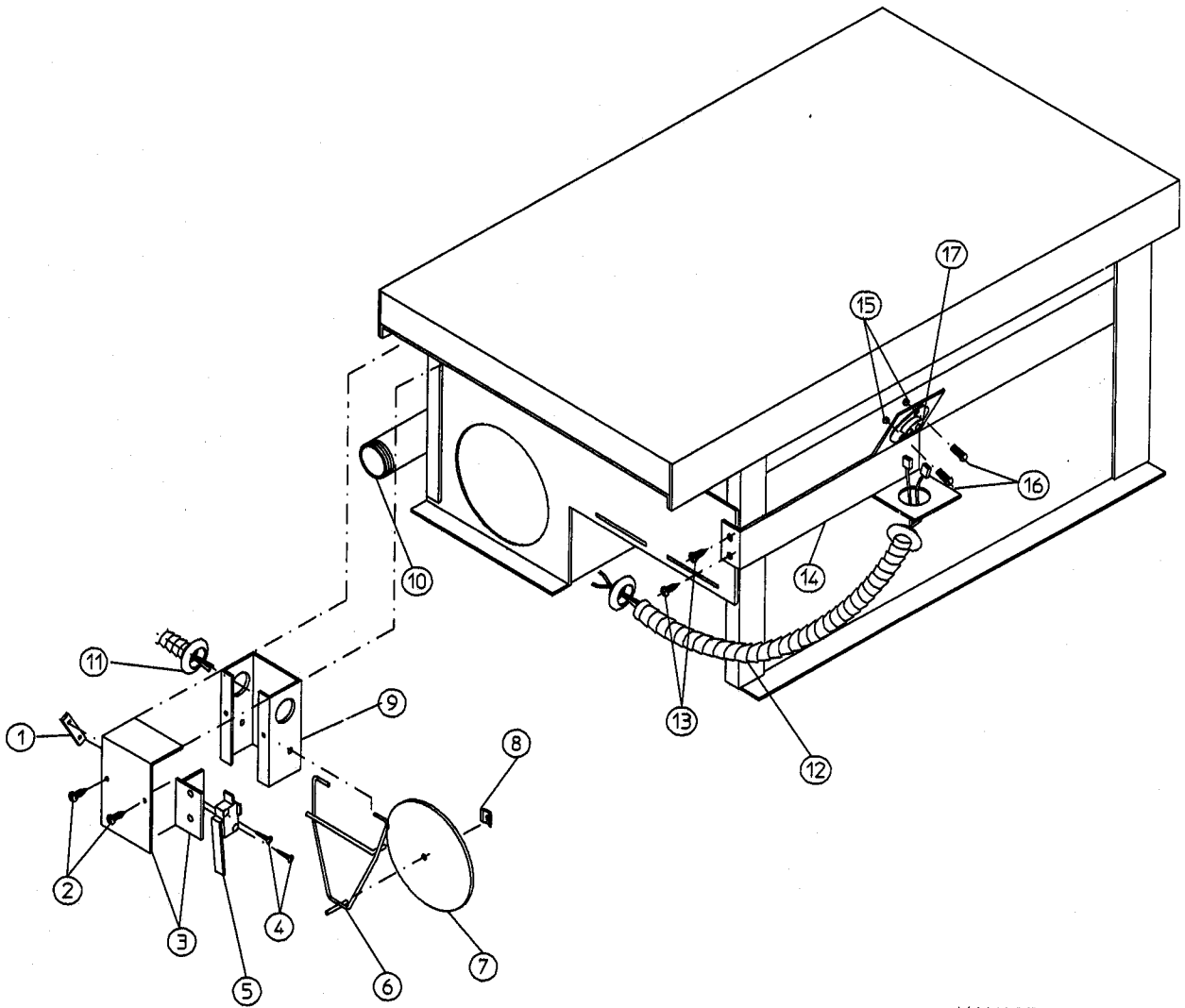
**Microprocessor
Sensor
Bracket
Assembly**

**Non-Computer
Sensor
Bracket
Assmebly**



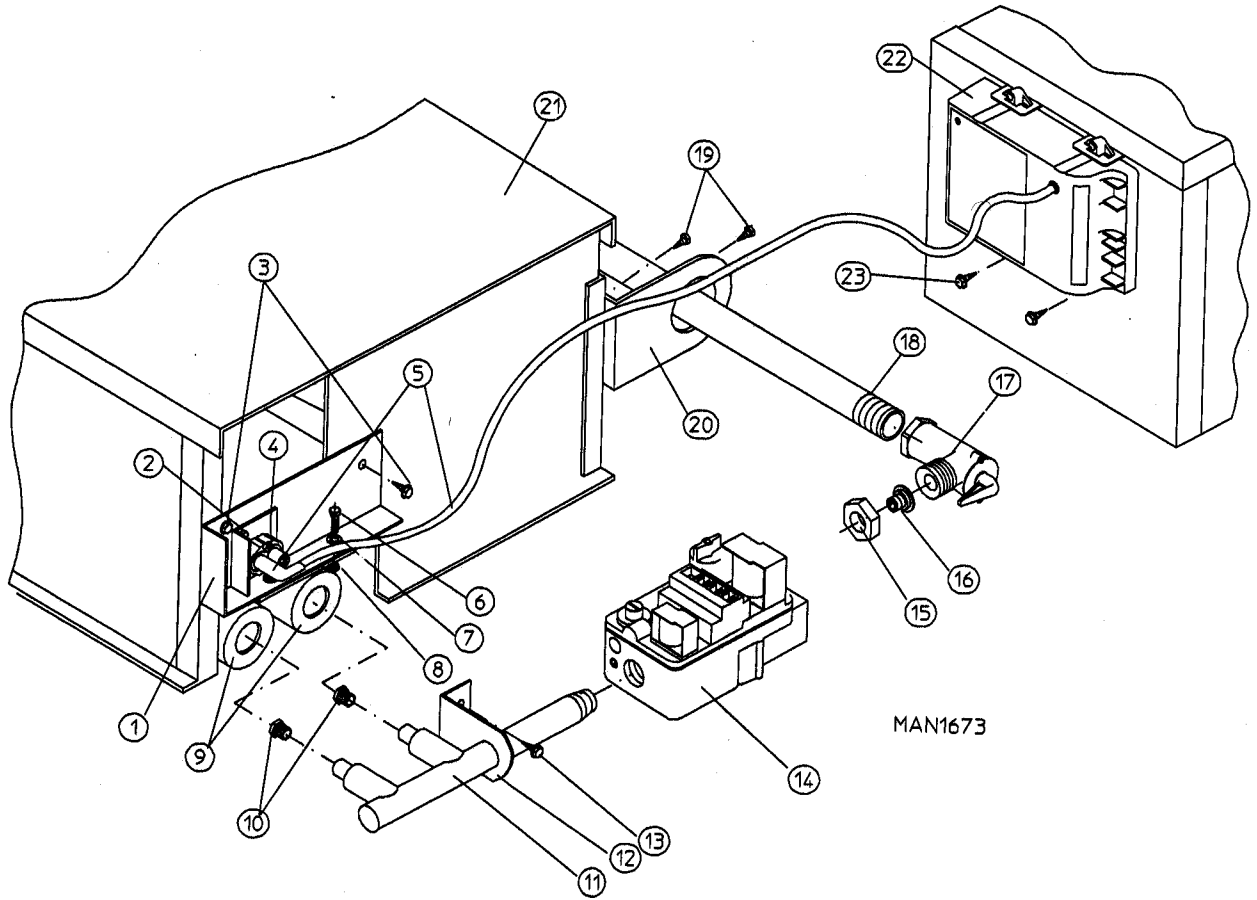
MAN0238

<u>Illus. No.</u>	<u>Part No.</u>	<u>Qty.</u>	<u>Description</u>
1	880251	1	1/4" Temperature Sensor Probe Assembly (includes illus. nos. 1 and 5 through 8)
2	130103	1	225° Large Automatic Reset Thermostat
3	153010	2	#6 Star Washer
4	152000	2	#6-32 Hex Nut
5	121028	2	Insulated Terminal ONLY
6	122701	4	Socket Terminal ONLY
7	122605	1	4-Pin Socket Connector ONLY
8	154007	2	1/4" Tinnerman Push-on Fastener
9	150005	2	#6-32 x 1/4" Round Head Machine Screw
10	801425	1	Microprocessor Sensor Bracket Assembly Complete (includes illus. nos. 1 through 10)
	305007	1	Universal Sensor Bracket ONLY
11	122604	1	4-Pin Connector ONLY
12	122700	4	Pin Terminal ONLY
13	150301	2	#8-18 x 7/16" Phillips Pan Head TEK Screw
14	150005	5	#6-32 x 1/4" Round Head Machine Screw
15	130109	1	140° Large Thermostat
16	130107	1	160° Large Thermostat
17	130103	1	225° Large Automatic Reset Thermostat
18	130101	1	180° Large Thermostat
19	153010	5	#6 Star Washer
20	152000	5	#6-32 Hex Nut
21	840065	1	Sensor Jumper (4) ONLY
22	121028	8	Insulated Terminal ONLY
23	122701	4	Socket Terminal ONLY
24	122605	1	4-Pin Socket Connector ONLY
	840062	1	Sensor (4) Bracket Harness Assembly (includes illus. nos. 22, 23, and 24)
25	801411	1	Non-Computer Sensor (4) Bracket Assembly Complete with Thermostats (includes illus. nos. 14 through 25)
	305007	1	Universal Sensor Bracket ONLY
26	122604	1	4-Pin Connector ONLY
27	122700	4	Pin Terminal ONLY
	122801	1	Pin/Socket Extraction Tool
28	150301	2	#8-18 x 7/16" Phillips Pan Head TEK Screw



MAN0270

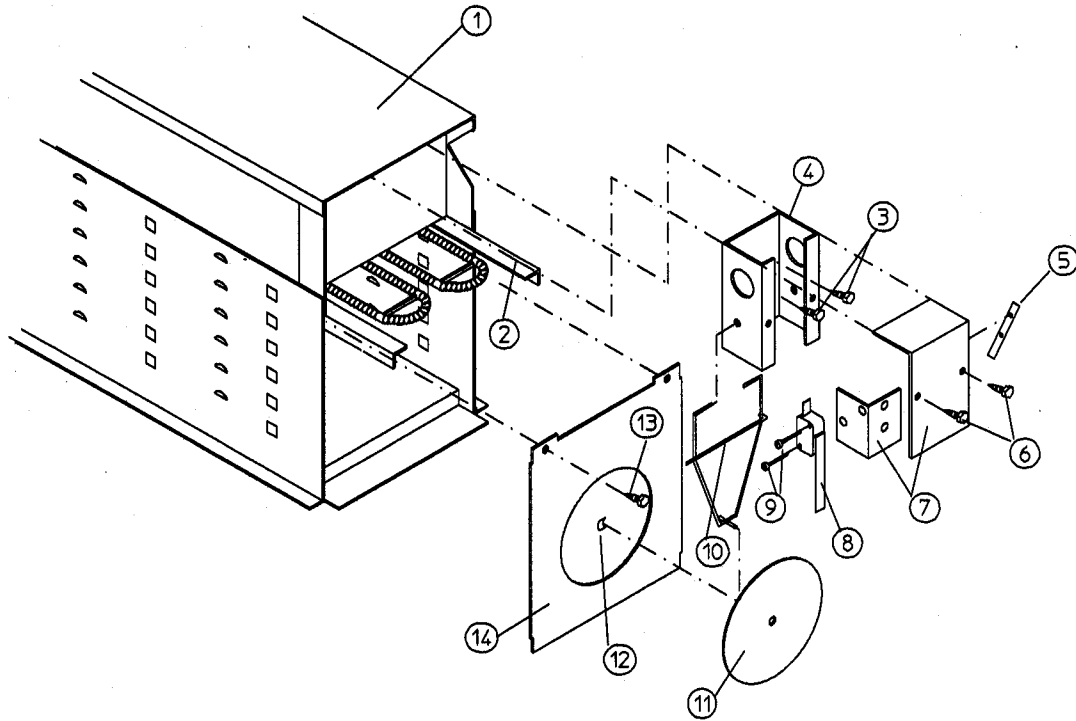
<u>Illus. No.</u>	<u>Part No.</u>	<u>Qty.</u>	<u>Description</u>
1	154004	1	Twin Speed Nut
2	150415	2	#10-16 x 1/2" Phillips Round Head Crimptite Screw
3	802799	1	Sail Switch Box Cover and Bracket ONLY
4	150303	2	#4 x 3/4" Phillips Head "A" Machine Screw
5	122200	1	Sail Switch ONLY
6	105500	1	Sail Switch Actuator Rod
7	319202	1	Sail Switch Damper (Flat)
8	154002	1	1/8" Push-On Fastener
9	802800	1	Sail Switch Box with Cover and Bracket ONLY
	802801	1	Sail Switch Box Assembly Complete (includes illus. nos. 1 through 9)
10	142809	1	1/2" x 29 1/8" Pipe
11	824526	1	Sail Switch Harness
12	824533	1	Hi-Limit Harness
13	150415	2	#10-16 x 1/2" Phillips Round Head Crimptite Screw
14	319704	1	Hi-Limit Mounting Bracket ONLY
15	151000	2	#6-32 Pal Nut
16	151001	2	#6-32 x 1/2" Round Head Machine Screw
17	130401	1	330° Hi-Limit ONLY



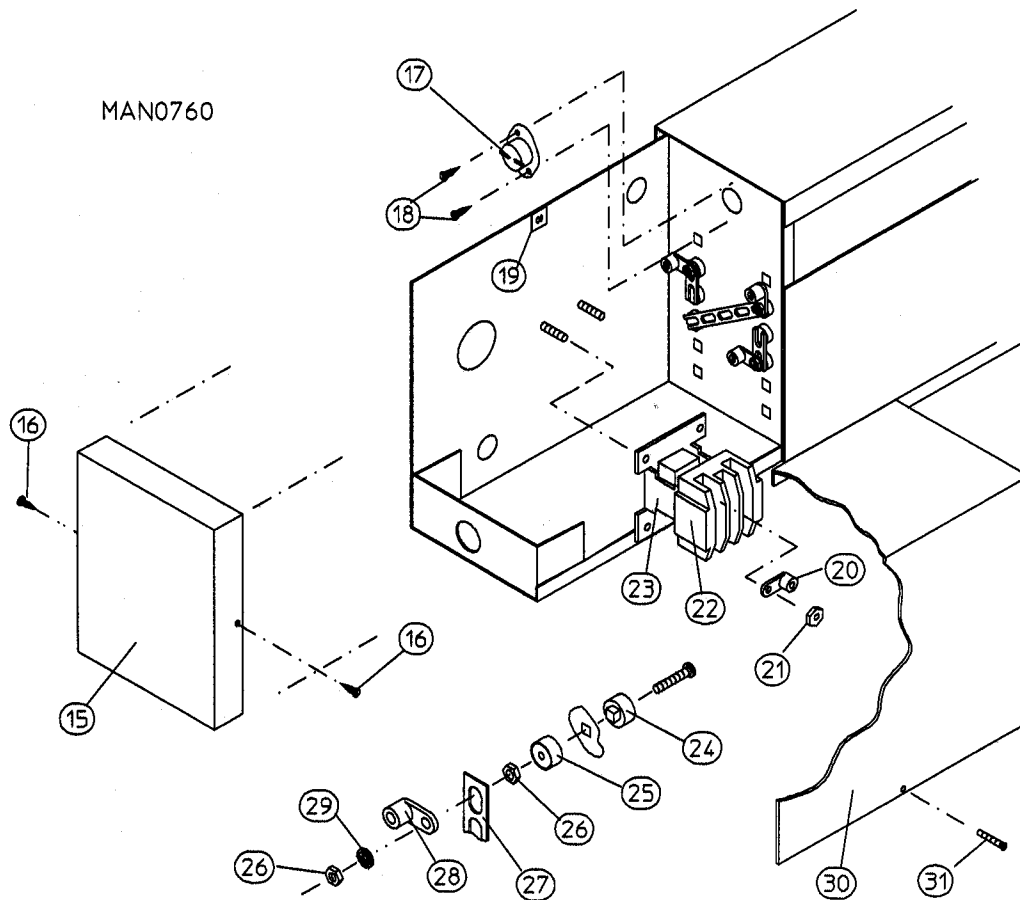
MAN1673

Illus. No.	Part No.	Qty.	Description
1	318030	1	DSI Burner Shield (2-Tube) For Heat Reclaimer Models ONLY
	318104	1	DSI Burner Shield (3-Tube) For Non-Heat Reclaimer Models ONLY
2	150300	2	#10 x 1/2" Hex Washer TEK Screw
3	150415	2	#10-16 x 1/2" Phillips Round Head Crimptite Screw
4	128915	1	DSI Ignitor/Flame Probe Assembly
	880134	1	Ignitor/Flame Probe Kit Assembly (includes illus. nos. 4 and 5)
5	880330	1	HV (high voltage) Wire and Connector Assembly

<u>Illus. No.</u>	<u>Part No.</u>	<u>Qty.</u>	<u>Description</u>
6	150103	2 or 3	#8-32 x 1/2" Pan Head Machine Screw
7	153000	2 or 3	#8 Steel Burr
8	151001	2 or 3	#8-32 Pal Nut
9	141105	2 or 3	Large Tube Burner ONLY
10	-----	2 or 3	Burner Orifice (refer to DSI Burner Orifice Listing on page 42)
11	141230	1	1/2" DSI Manifold (2-Port) For Heat Reclaimer Models ONLY
	141232	1	1/2" DSI Manifold (3-Port) For Non-Heat Reclaimer Models ONLY
12	318700	1	Pipe Bracket (bent)
13	150300	2	#10 x 1/2" Hex Washer TEK Screw
14	128927	1	1/2" 24 VAC Redundant (natural gas) Gas Valve
	140411	1	1/2" Valve Conversion Kit (liquid propane)
	880960	1	1/2" 24 VAC DSI (L.P.) Gas Valve Assembly (includes Part No. 140411 assembled into Part No. 128927 Gas Valve)
15	141325	1	Tail Piece Collar ONLY
16	141303	1	1/2" Union Tail Piece ONLY
17	141305	1	Union Shut-off Body ONLY
18	142809	1	1/2" x 29-1/8" Pipe
19	150415	4	#10-16 x 1/2" Phillips Round Head Crimptite Screw
20	318700	2	Pipe Bracket (bent)
21	850852	1	Non-Heat Reclaimer Burner Box ONLY
	850863	1	Heat Reclaimer Burner Box ONLY
	-----	1	Burner Assembly Complete less Orifice (refer to DSI Burner Assembly Listing on page 42)
22	880815	1	ADC DSI Module ONLY (50/60 Hz)
23	150299	4	#10 x 1" Hex Washer TEK Screw
--	-----	1	Conversion Kit (refer to DSI L.P. Conversion Kit Listing on page 42)
--	410001	1	1/2" Allen Wrench (for removal of 1/2" Union Tail Piece - Part No. 141303)



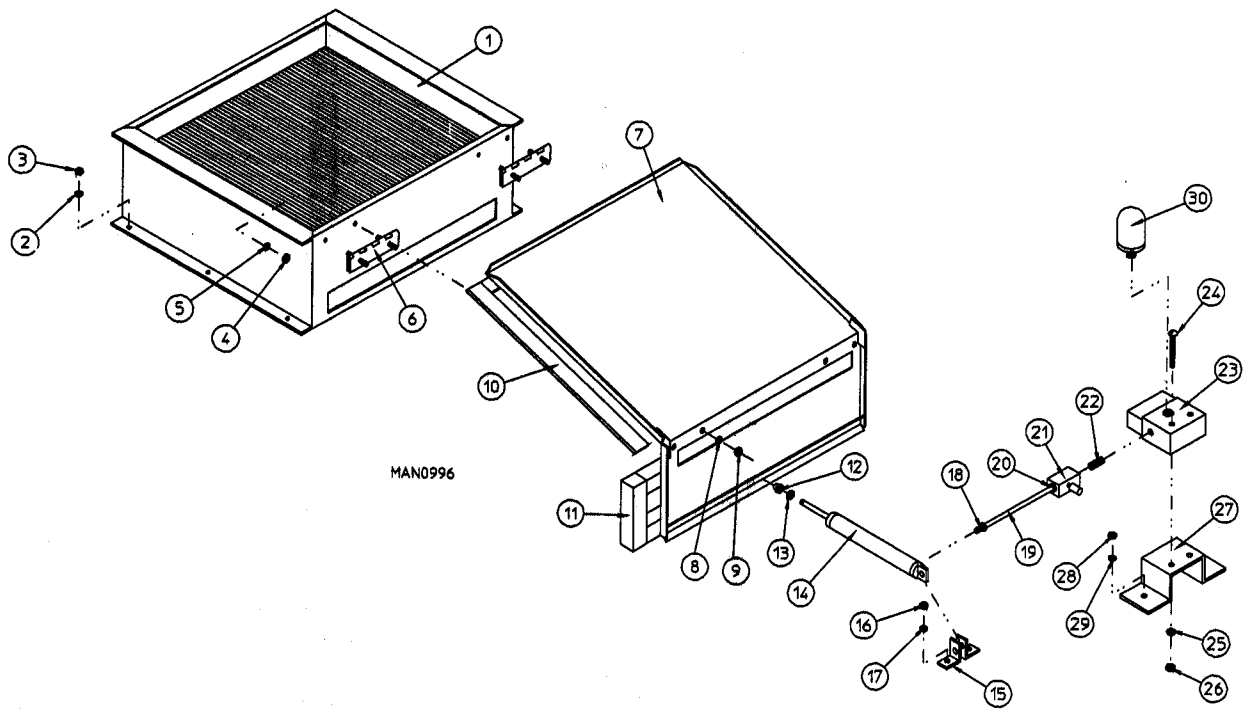
ELECTRIC OVEN (FRONT VIEW)



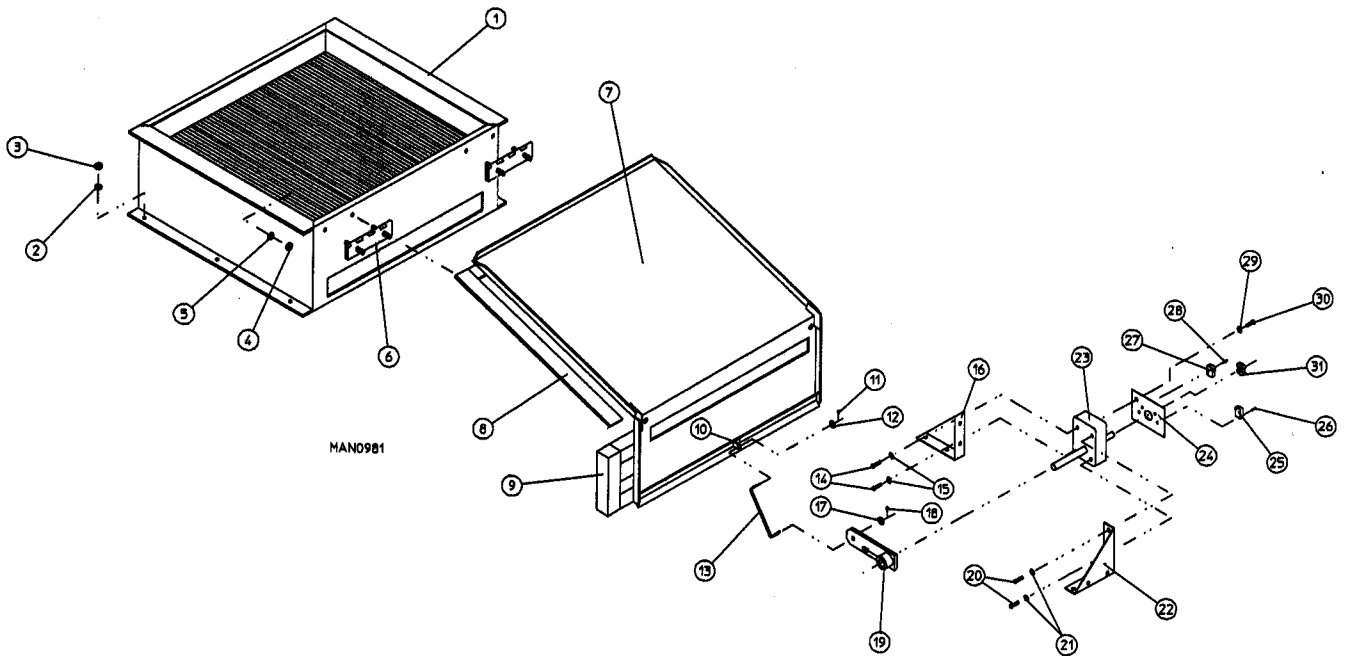
ELECTRIC OVEN (REAR VIEW)

Illus. No.	Part No.	Qty.	Description
1	803006*	1	Large Electric Oven Box ONLY
	-----	1	Electric Oven Assembly Complete
2	-----	-	Electric Element
3	150300	2	#10 x 1/2" Hex Washer TEK Screw
4	802800	1	Sail Switch Box with Cover and Bracket ONLY
	802801	1	Sail Switch Box Assembly Complete (includes illus. nos. 4 through 12)
5	154004	1	Twin Speed Nut
6	150415	2	#10-16 x 1/2" Phillips Round Head Crimptite Screw
7	802799	1	Sail Switch Box Cover ONLY
8	122200	1	Sail Switch
9	150303	2	#4 x 3/4" Pan Head "A" Machine Screw
10	105500	1	Sail Switch Actuator Rod
11	319202	1	Sail Switch Damper (flat)
12	154002	1	1/8" Push-On Fastener
13	150300	2	#10 x 1/2" Hex Washer TEK Screw
14	803100	1	Electric Oven Front Cover ONLY
15	320611	1	Large Relay Box Cover ONLY
16	150402	2	#10-24 x 5/8" Slotted Truss Head Machine Screw
17	130400	1	290° Hi-Limit ONLY
18	150300	2	#10 x 1/2" Hex Washer TEK Screw
19	154001	2	#10-24 Speed Nut
20	121010	1	L-70 Ground Lug
21	152014	3	#1/4-20 Free Spin Wash Nut
22	-----*	1	Oven Relay
23	-----*	1	Oven Relay Replacement Coil
24	120081	-	Internal Ceramic Insulator (2 per element)
25	120080	-	External Ceramic Insulator (2 per element)
26	152008	-	#10-32 Hex Nut (4 per element)
27	121011*	-	Bus Bar
28	-----*	-	Terminal Lug
29	153009	-	#10 Star Washer (2 per element)
30	320607	1	Large Electric Oven Right Side Cover ONLY
31	150402	2	#10-24 x 5/8" Slotted Truss Head Machine Screw

* Refer to UDE-50 Electric Oven Component Application Chart on page 43.

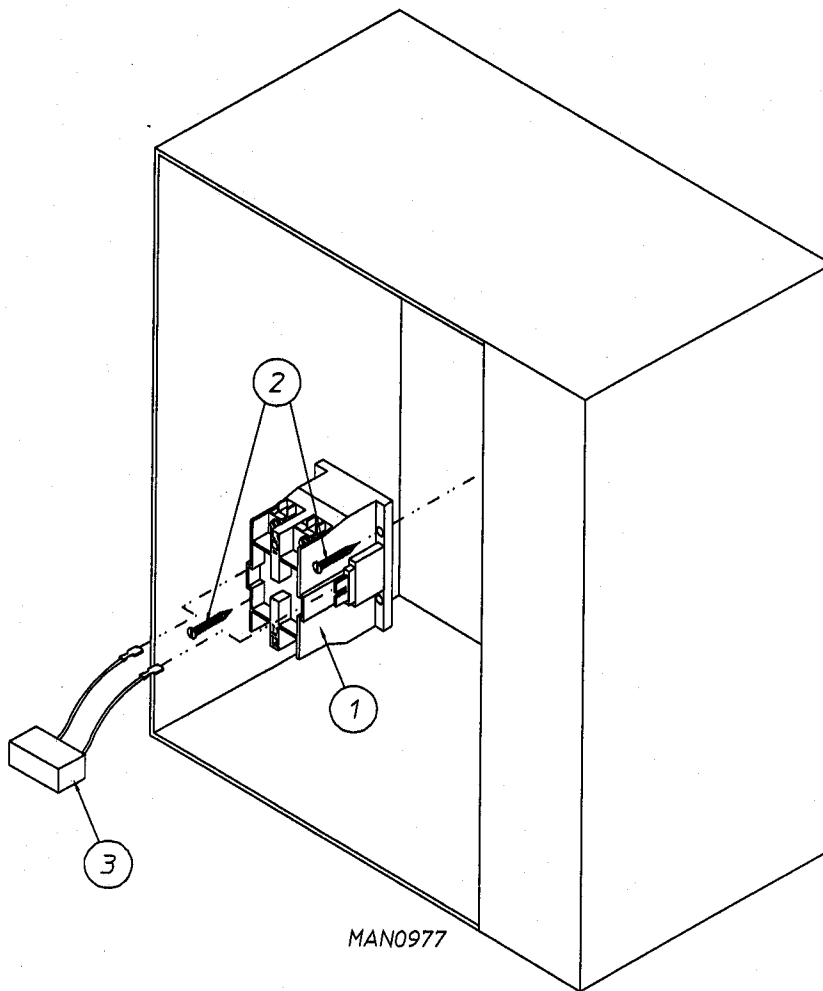


<u>Illus. No.</u>	<u>Part No.</u>	<u>Qty.</u>	<u>Description</u>
1	165011	1	UDS-50 Steam Coil Assembly
2	153002	6	5/16" Lock Washer
3	152004	6	#5/16-18 Hex Nut
4	152002	4	#1/4-20 Hex Nut
5	153007	4	1/4" Lock Washer
6	820321	2	Steam Damper Hinge Assembly
7	803416	1	UDS-50 Steam Damper Assembly (includes illus. nos. 7, 10, and 11)
8	153007	4	1/4" Lock Washer
9	152002	4	#1/4-20 Hex Nut
10	115995	66	Steam Damper Gasket (sold by the inch)
11	102350	1	68-1/2" Steam Damper Foam
12	151006	1	#5/16-24 Stainless Steel Acorn Nut
13	152051	1	#5/16-24 Right Hand Jam Nut
14	100495	1	11/16" Dia. x 3" Stroke Piston
15	323365	2	Left and Right Piston Support
16	152002	2	#1/4-20 Hex Nut
17	153007	2	1/4" Lock Washer
18	100472	1	1/4" Poly x 1/8" MPT Connector
19	143110	1	1/4" Poly Flow Tubing
20	100472	1	1/4" Poly x 1/8" MPT Connector
21	100496	1	1/8" Needle Valve
22	143238	1	1/8" Brass Close Nipple
23	100498	1	3-Way Micro Valve - 24 VAC
24	150002	2	#6-32 x 1" Machine Bolt
25	153010	2	#6 Star Washer
26	152000	2	#6-32 Hex Nut
27	330987	1	Micro Valve Support
28	152002	2	#1/4-20 Hex Nut
29	153007	2	1/4" Lock Washer
30	100520	1	1/8" N.P.T. Silencer (muffler) #N-25

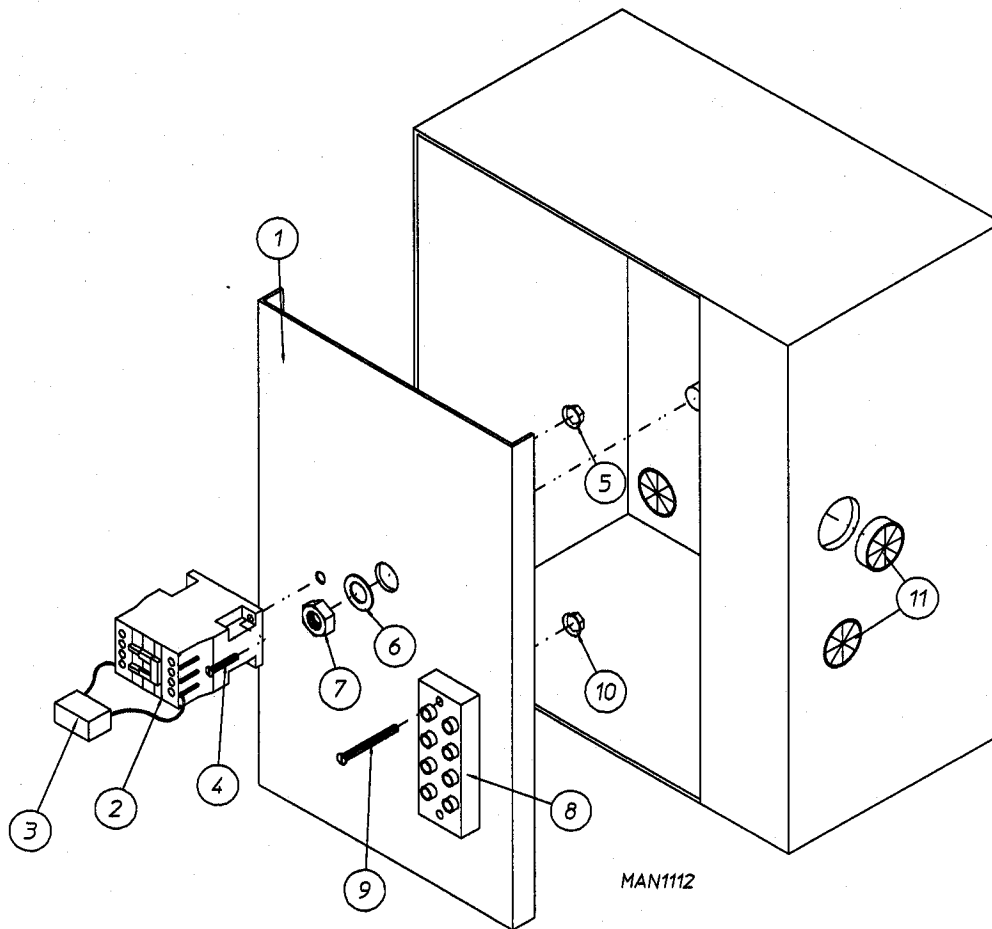


<u>Illus. No.</u>	<u>Part No.</u>	<u>Qty.</u>	<u>Description</u>
1	165011	1	UDS-50 Steam Coil Assembly
2	153002	6	5/16" Lock Washer
3	152004	6	#5/16-18 Hex Nut
4	152002	4	#1/4-20 Hex Nut
5	153007	4	1/4" Lock Washer
6	820321	2	Steam Damper Hinge Assembly
7	880781	1	UDS-50 Steam Damper Assembly (includes illus. nos. 7 through 10)
8	115995	66	Steam Damper Gasket (sold by the inch)
9	102350	1	68-1/2" Steam Damper Foam
10	309300	1	Rod Bracket
11	154300	1	1/2" x 3/32" Cotter Pin
12	153022	1	#10 Steel Burr
13	104052	1	Mechanical Steam Damper Actuator Rod
14	150110	2	#8-32 x 1/4" Phillips Head Machine Screw
15	153012	2	#8 Star Washer
16	312315	1	Mechanical Steam Damper Motor Mount
17	153022	1	#10 Steel Burr
18	154300	1	1/2" x 3/32" Cotter Pin
19	850268	1	Mechanical Steam Damper Arm
20	150110	2	#8-32 x 1/4" Phillips Head Machine Screw
21	153012	2	#8 Star Washer
22	312315	1	Mechanical Steam Damper Motor Mount
23	104054	1	Mechanical Steam Damper Motor
24	100511	1	Mechanical Steam Damper Switch Plate
25	122120	1	Mechanical Steam Damper Switch
26	150026	2	#4-40 x 5/8" Phillips Pan Head Machine Screw
27	122120	1	Mechanical Steam Damper Switch
28	150026	2	#4-40 x 5/8" Phillips Pan Head Machine Screw
29	153012	2	#8 Star Washer
30	150102	2	#8-32 x 3/8" Pan Head Machine Screw
31	-----*	1	Mechanical Steam Damper Motor Cam

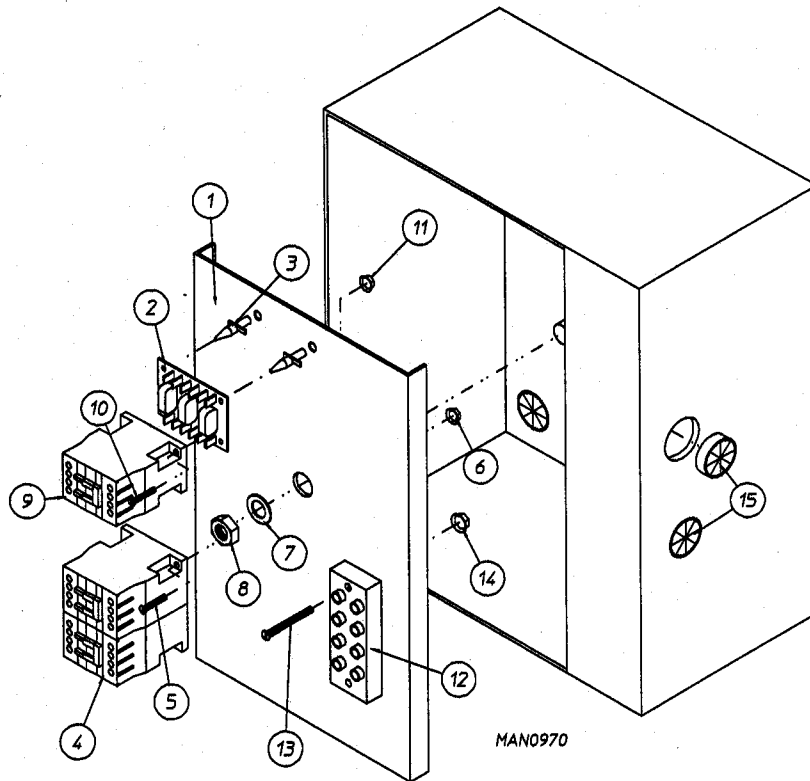
* The Mechanical Steam Damper Motor Cam is part of the Mechanical Steam Damper Motor.



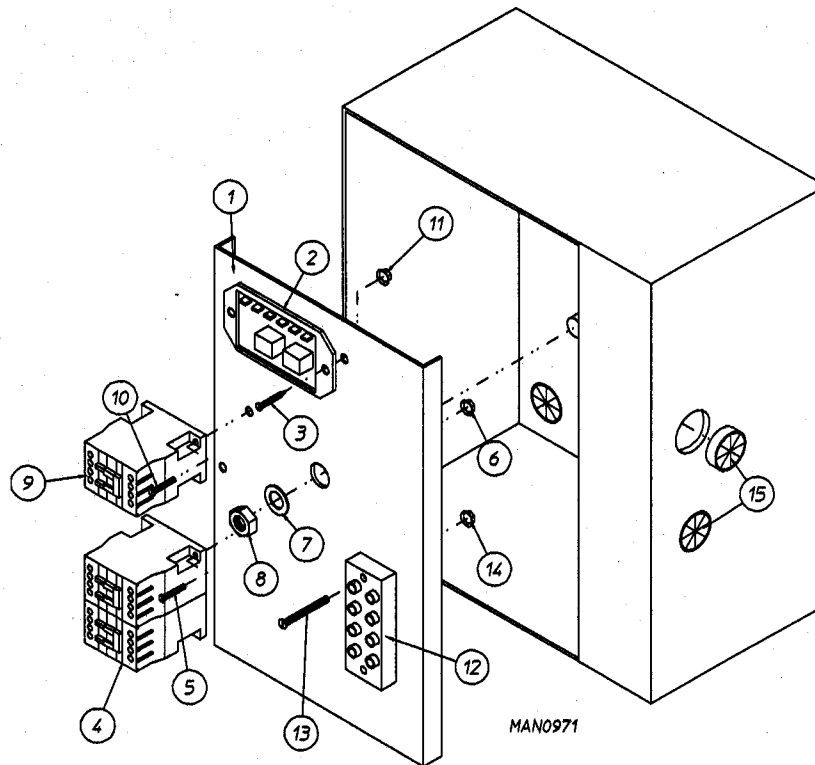
Illus. No.	Part No.	Qty.	Description
1	132451	1	2-Pole Contactor - 24 VAC
2	150299	2	#10 x 1" Hex Washer TEK Screw
3	824828	1	RC Network With Connectors (for Microprocessor Models ONLY)
-	322809	1	Back Electrical Box Cover ... Not Illustrated
-	150301	4	#8-18 x 7/16" Phillips Pan Head TEK Screw ... Not Illustrated



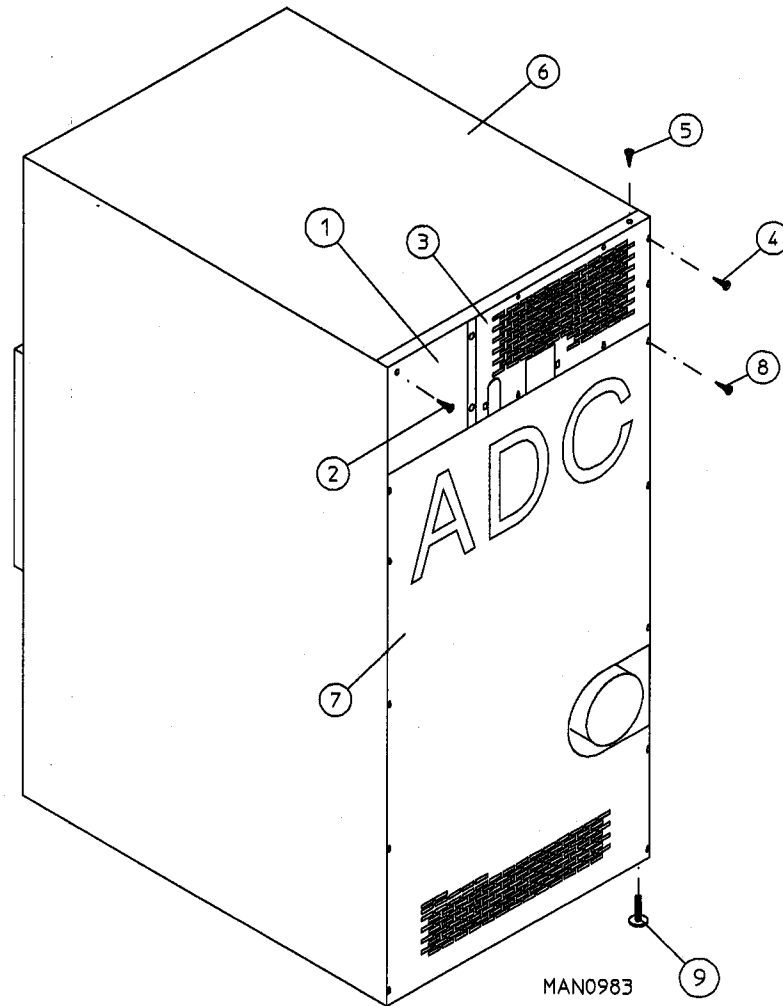
Illus. No.	Part No.	Qty.	Description
1	322812	1	Back Electrical Box Component Mounting Plate
2	132430	1	Impellor Contactor - 24 VAC (208/230/240v, 50/60Hz)
	132432	1	Impellor Contactor Replacement Coil - 24 VAC (208/230/240v, 50/60Hz)
3	137015	1	RC Network (for Microprocessor Models ONLY)
4	150103	2	#8-32 x 3/4" Phillips Round Head Machine Screw
5	151001	2	#8-32 Pal Nut
6	153002	1	5/16" Lock Washer
7	152004	1	#5/16-18 Hex Nut
8	120701	1	4-Position Terminal Block
9	150008	2	#6-32 x 1-1/4" Slotted Round Head Machine Screw
10	151000	2	#6-32 Pal Nut
11	121300	3	Open/Close Bushing
--	322809	1	Back Electrical Box Cover ... Not Illustrated
--	150301	4	#8-18 x 7/16" Phillips Pan Head TEK Screw ... Not Illustrated



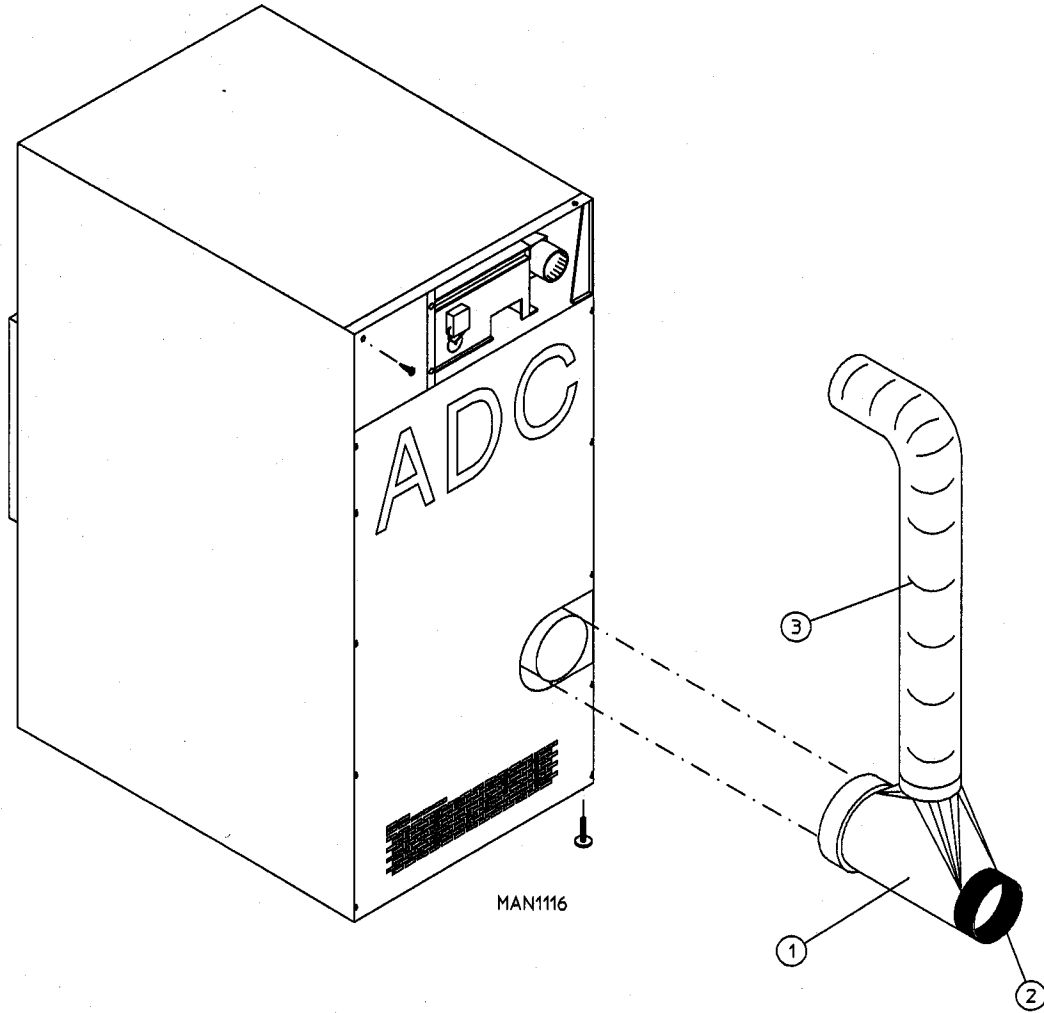
Illus. No.	Part No.	Qty.	Description
1	322812	1	Back Electrical Box Component Mounting Plate
2	137060	1	Arc Suppressor (AS) Board
3	137013	4	Nylon Standoff
4	132431	1	Reversing Contactor - 24 VAC (208/230/240v, 50/60Hz)
	132432	2	Reversing Contactor Replacement Coil - 24 VAC (208/230/240v, 50/60Hz)
5	150103	2	#8-32 x 3/4" Phillips Round Head Machine Screw
6	151001	2	#8-32 Pal Nut
7	153002	1	5/16" Lock Washer
8	152004	1	5/16-18 Hex Nut
9	132430	1	Impellor Contactor - 24 VAC (208/230/240v, 50/60Hz)
	132432	1	Impellor Contactor Replacement Coil - 24 VAC (208/230/240v, 50/60Hz)
10	150103	2	#8-32 x 3/4" Phillips Round Head Machine Screw
11	151001	2	#8-32 Pal Nut
12	120701	1	4-Position Terminal Block
13	150008	2	#6-32 x 1-1/4" Slotted Round Head Machine Screw
14	151000	2	#6-32 Pal Nut
15	121300	3	Open/Close Bushing
--	322809	1	Back Electrical Box Cover ... Not Illustrated
--	150301	4	#8-18 x 7/16" Phillips Pan Head TEK Screw ... Not Illustrated



<u>Illus. No.</u>	<u>Part No.</u>	<u>Qty.</u>	<u>Description</u>
1	322812	1	Back Electrical Box Component Mounting Plate
2	132198	1	Reversing Timer (50/60 Hz) - 24 VAC
3	150301	1	#8-18 x 7/16" Phillips Pan Head TEK Screw
4	132431	1	Reversing Contactor - 24 VAC (208/230/240v, 50/60Hz)
	132432	2	Reversing Contactor Replacement Coil - 24 VAC (208/230/240v, 50/60Hz)
5	150103	2	#8-32 x 3/4" Phillips Round Head Machine Screw
6	151001	2	#8-32 Pal Nut
7	153002	1	5/16" Lock Washer
8	152004	1	#5/16-18 Hex Nut
9	132430	1	Impellor Contactor - 24 VAC (208/230/240v, 50/60Hz)
	132432	1	Impellor Contactor Replacement Coil - 24 VAC (208/230/240v, 50/60Hz)
10	150103	2	#8-32 x 3/4" Phillips Round Head Machine Screw
11	151001	2	#8-32 Pal Nut
12	120701	1	4-Position Terminal Block
13	150008	2	#6-32 x 1-1/4" Slotted Round Head Machine Screw
14	151001	2	#6-32 Pal Nut
15	121300	3	Open/Close Bushing
--	322809	1	Back Electrical Box Cover ... Not Illustrated
--	150301	4	#8-18 x 7/16" Phillips Pan Head TEK Screw ... Not Illustrated



Illus. No.	Part No.	Qty.	Description
1	322809	1	Back Electrical Box Cover
2	150301	4	#8-18 x 7/16" Phillips Pan Head TEK Screw
3	314414	1	Top Back Guard (No Top Back Guard On Gas Heat Reclaimer Models and Steam Models)
4	150301	7	#8-18 x 7/16" Phillips Pan Head TEK Screw
5	150301	10	#8-18 x 7/16" Phillips Pan Head TEK Screw
6	312534	1	UD-50 Outer Top (No Outer Top On Gas Heat Reclaimer Models and Steam Models)
7	314410	1	Lower Back Guard
8	150301	13	#8-18 x 7/16" Phillips Pan Head TEK Screw
9	103500	4	Leveling Leg



<u>Illus. No.</u>	<u>Part No.</u>	<u>Qty.</u>	<u>Description</u>
1	143501	1	8" x 6" x 6" Tee
2	880502	1	6" Replacement Damper Assembly
3	143509	1	6" Flexible Duct
-	117505	2	Aluminum Duct Tape (sold in feet)

DSI Burner Orifice Listing*

Model Number	Heat Reclaimer	Qty.	Natural Gas		L.P. Gas	
			D.M.S.	Part No.	D.M.S.	Part No.
UDG-50D	No	3	#29	140820	#48	140804
UDG-50DH	Yes	2	#23	140856	#42	140810

* Consult factory for elevations over 2,000 feet.

DSI Burner Assembly Listing

Model Number	BTU/Hr Rating	Heat Reclaimer	Natural Gas Part No.	L.P. Gas Part No.
UDG-50D	160,000	No	809627	809628
UDG-50DH	140,000	Yes	809629	809630

Notes: 1. Burner assemblies **do not** include burner orifices. They **must** be ordered separately.
 2. When ordering burner assemblies, specify model number and if computer or non-computer controls.

DSI L.P. Conversion Kit Listing*

Model Number	Kit Part Number
UDG-50D	874046
UDG-50DH	874047

* Consult factory for elevations over 2,000 feet.

UDE-50

Kw	Volt	Phase	Wire	Oven Assy*	Element			Oven Wire		Terminal Lug Part No.	Bus Bar P/N 121011	Oven Relay		Relay coil Part No.	
					Qty	Kw	Part No.	Qty	Size			Part No.	Cat. No.		Part No.
30	208	3Ø	3 or 4	824917	6	5	120012	6	#6	133200	7	121010	FEAJ	131375	131386
30	230	3Ø	3	824934	6	5	120013	3	#4	133300	4	121012	EEAJ	131370	131371
30	416	3Ø	3 or 4	824949	6	5	120012	4	#8	133100	5	121010	CEAJ	131355	131356
30	460/480	3Ø	3 or 4	824955	6	5	120013	4	#8	133100	5	121010	BEAJ	131350	131356
25	380	3Ø	3 or 4	824942	6	5	120012	4	#8	133100	5	121010	BEAJ	131350	131356
24	208	3Ø	3 or 4	824919	6	4	120010	3	#4	133300	4	121012	EEAJ	131370	131371
24	230	3Ø	3	824936	6	4	120011	3	#6	133200	3	121010	DEAJ	131365	131371
24	416	3Ø	3 or 4	824948	6	4	120010	4	#8	133100	5	121010	BEAJ	131350	131356
24	460/480	3Ø	3 or 4	824954	6	4	120011	4	#10	133000	5	121010	BEAJ	131350	131356
20	208	1Ø	2	824906	5	4	120010	2	#4	133300	2	121012	GEAJ	131385	131386
20	230	1Ø	2	824928	5	4	120011	2	#4	133300	2	121012	FEAJ	131375	131386
20	380	3Ø	3 or 4	824941	6	4	120010	4	#10	133300	5	121010	BEAJ	131350	131356

* Oven Assemblies do not include Oven Relay (contactor). This item must be ordered separately. When ordering Oven Assembly Complete, specify 3 or 4 wire when applicable as well as if dryer has Microprocessor or Non-Microprocessor controls.

<u>Part Number</u>	<u>Description</u>
112027	"Water Washed Fabrics" Label
112039	"Black/White/Green Ground" Label
112040	"Lint Compartment" Label
112041	"Caution Exhaust" Label
112534	Phase 5 OPL "Program Location Summary" Label
120100	3/8" Straight BX Connector
120200	3/8" x 90° BX Connector
120300	3/8" x 45° BX Connector
120400	3/8" Red Jacket BX Insulator
120500	3/8" Jiffy Clip BX Retainer Clip
120600	3/8" Greenfield BX
120800	1/4" In-Line Connector
120802	Red Butt Connector
120902	#74B Wire Nut
120903	Crimp-on Wire Nut
121006	#10 Insulated Ring Terminal
121014	1/4" Insulated (Female) Terminal
121026	Tab Receptacle Combination
121499	4" Harness Tie
121500	7" Harness Tie
121503	Harness Tie Mounting Clip
122804	Manometer (water column test gauge)
404500	Almond Brush-In-Cap Bottle Touch-Up Paint
404502	White Brush-In-Cap Bottle Touch-Up Paint
404506	Almond "B" Brush-In-Cap Bottle Touch-Up Paint
404507	Cornflower Blue Brush-In-Cap Bottle Touch-Up Paint
410001	1/2" Allen Wrench
880200	Electrical Terminal Kit

ADC450129 1- 11/06/92-100 2- 04/02/93-100 3* 10/28/93-200
4* 01/24/95-200 5- 02/24/98-100

