



**Super AD - 24
Parts Manual
24 VAC
1994 / 1995**

American Dryer Corporation
88 Currant Road
Fall River MA 02720-4781
Telephone: (508) 678-9010 / Cable: AMDRY / Fax: (508) 678-9447

Retain This Manual In A Safe Place For Future Reference

American Dryer Corporation products embody advanced concepts in engineering, design, and safety. If this product is properly maintained, it will provide many years of safe, efficient, and trouble-free operation.

ONLY properly licensed technicians should service this equipment.

Observe all safety precautions displayed on the equipment or specified in the installation/operator's manual included with the dryer.

WARNING: UNDER NO CIRCUMSTANCES should the dryer door switch or the heat circuit devices ever be disabled.

WARNING: The dryer must never be operated with any of the back guards, outer tops, service panels removed. PERSONAL INJURY or FIRE COULD RESULT.

We have tried to make this manual as complete as possible and hope you will find it useful. ADC reserves the right to make changes from time to time, without notice or obligation, in prices, specifications, colors, and materials and to change or discontinue models.

Important

For your convenience, log the following information:

DATE OF PURCHASE _____ **MODEL NO.** Super AD-24

DISTRIBUTOR'S NAME _____

Serial No.(s) _____

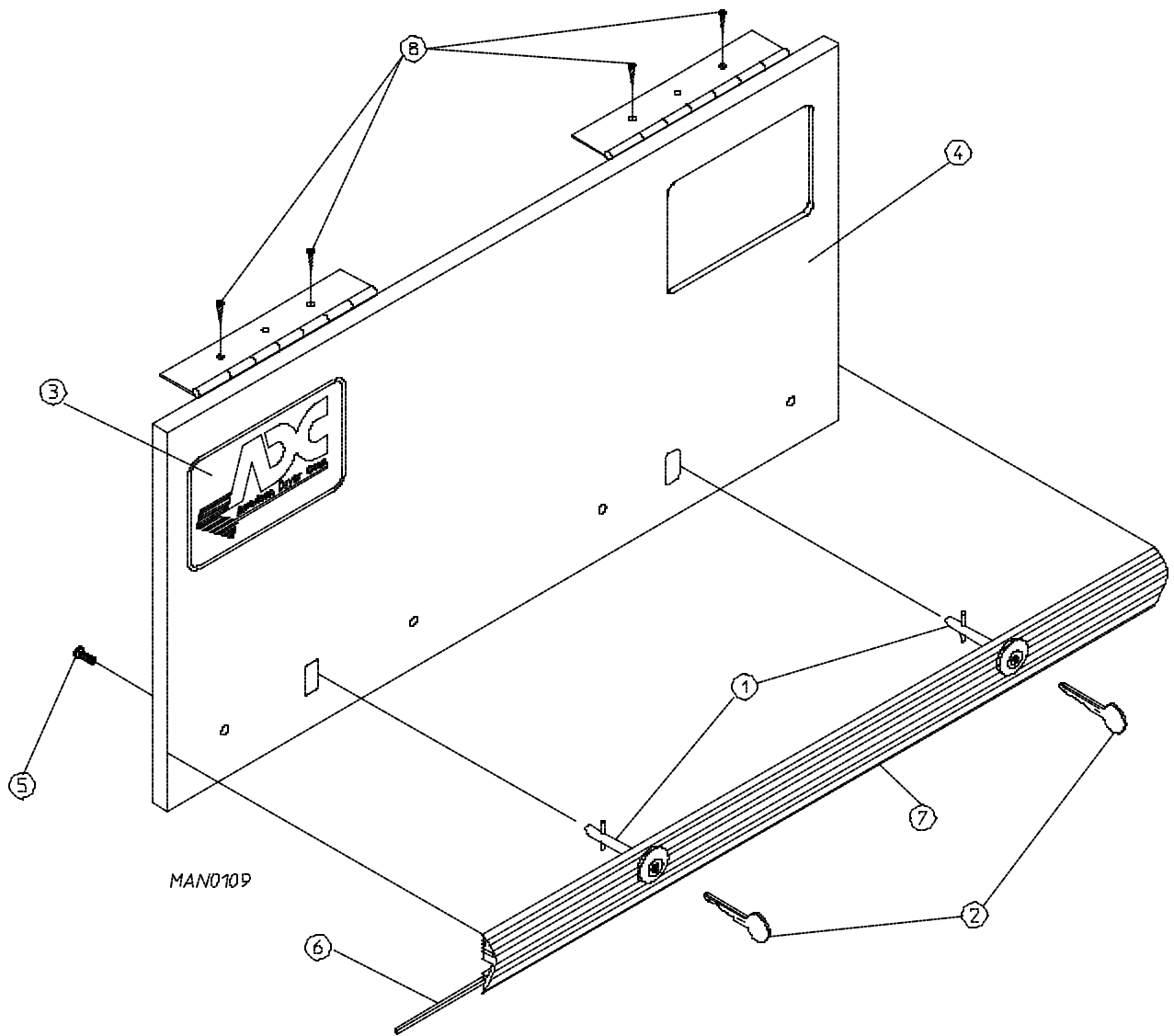
Replacement parts can be ordered from your distributor or the ADC factory. When ordering replacement parts from the factory, you can fax your order to ADC at (508) 678-9447 or telephone your orders directly to the ADC Parts Department at (508) 678-9010. Please specify the dryer **model number** and **serial number** in addition to the **description** and **part number**, so that your order is processed accurately and promptly.

The illustrations on the following pages may not depict your particular dryer exactly. The illustration are a composite of the various dryer models. Be sure to check the descriptions of the parts thoroughly before ordering.

INSTRUCTIONS TO BE FOLLOWED IN THE EVENT THE USER SMELLS GAS MUST BE POSTED IN A PROMINENT LOCATION. THE INSTRUCTIONS TO BE POSTED SHALL BE OBTAINED FROM THE LOCAL GAS SUPPLIER.

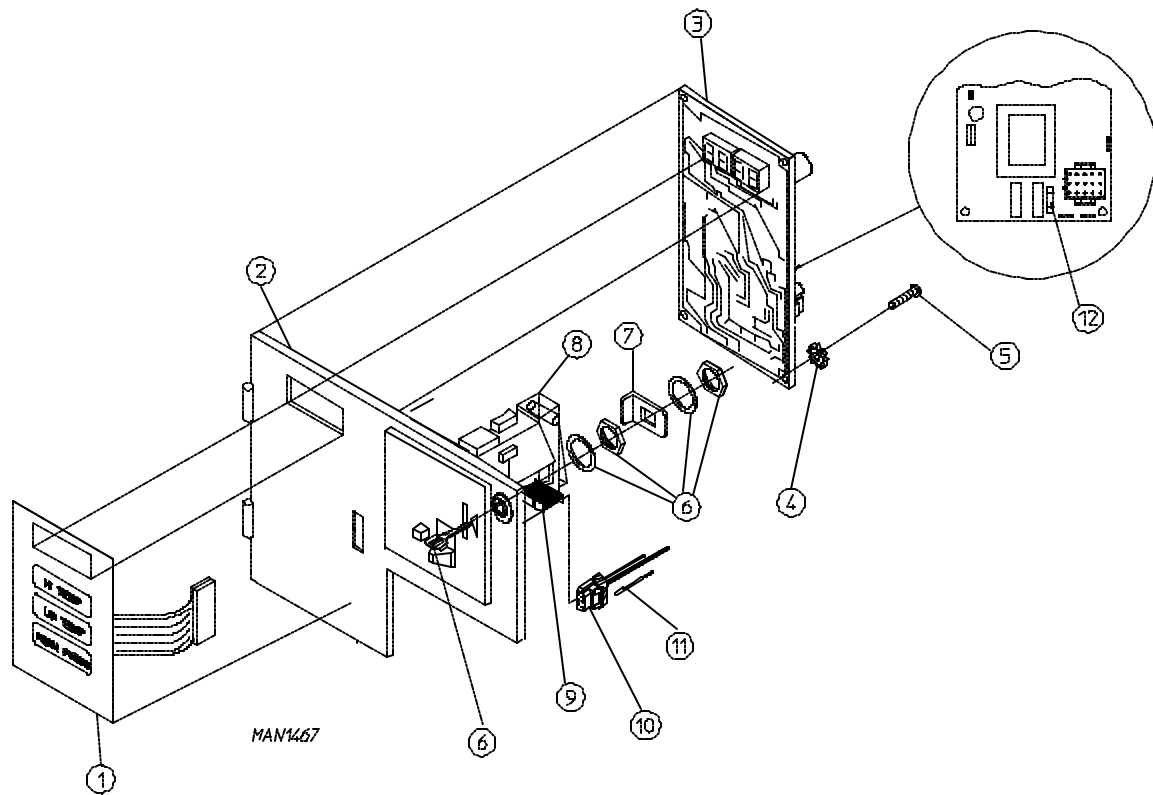
Table of Contents

Super AD - 24 High Security Control Door Assembly	2
Phase 5 Coin Microprocessor Control Door Panel Assembly	3
Phase 5 OPL Microprocessor Control Box Assembly	4
Phase 5 Microprocessor Control Box Assembly	5
Super AD-24 Coin Vault Assembly	6
Super AD-24 Front Panel Assembly	7
Main Door Assembly	8
Main Door Switch Assembly	9
Super AD-24 Lint Door / Drawer Assembly	10
Sensor Bracket Assembly	11
Tumbler Bearing Assembly	12
Tumbler Bearing Assembly	13
Idler Bearing Assembly	14
Idler Bearing Assembly	15
Super AD-24 Totally Enclosed, Fan-Cooled Motor Mount Assembly	16
Super AD-24 Totally Enclosed, Fan-Cooled Motor Mount Assembly	17
Super ADG-24 Direct Spark Ignition (DSI) Burner Assembly	18
Super ADG-24 Direct Spark Ignition (DSI) Burner Assembly	19
Super AD-24 Basket (Tumbler) / Support Assembly	20
Sail Switch / Hi-Limit Assembly	21
Super AD-24 Electric Oven Assembly	22
Super AD-24 Electric Oven Assembly	23
Single Phase Motor, Electric Relay Panel Assembly	24
Super AD-24 Outer Top / Back Guard Assembly	25
Coin Acceptors Listing	26
Additional Parts Available	27



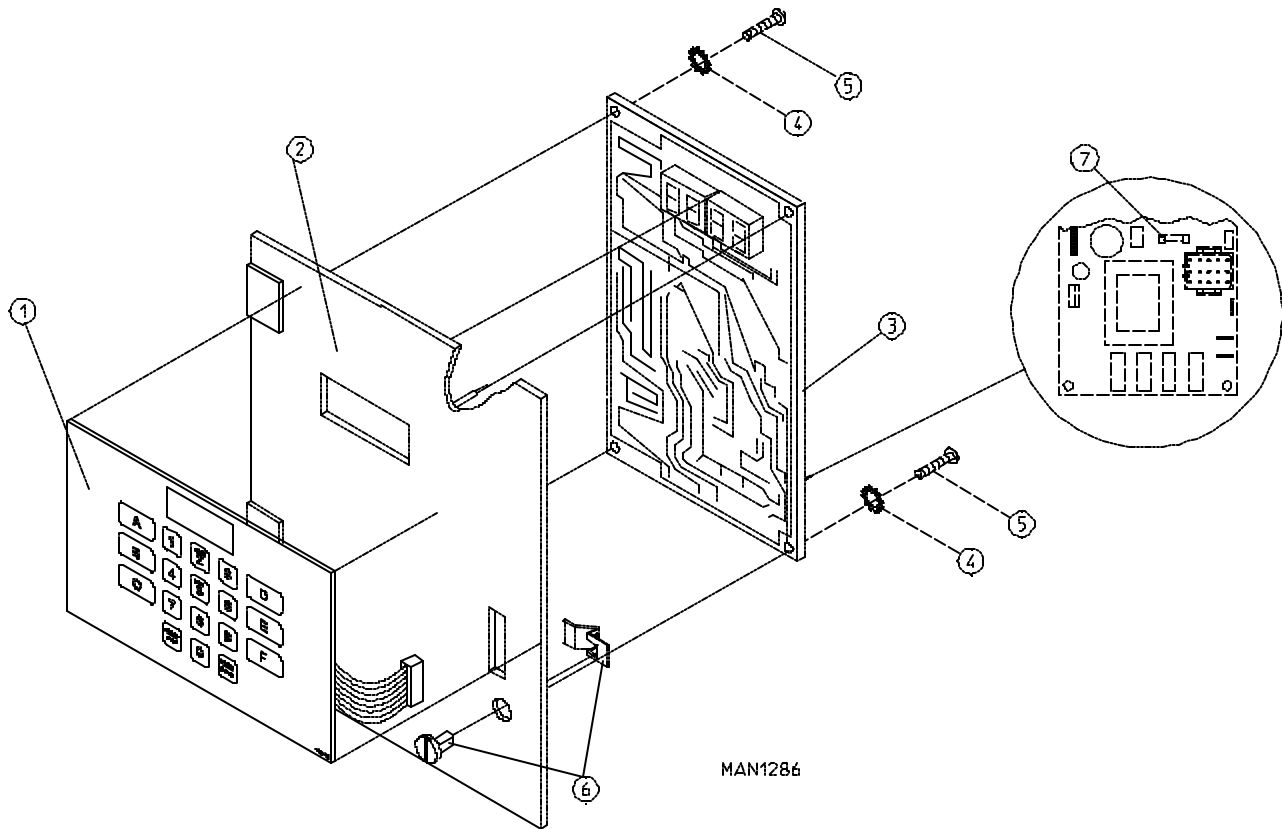
Illus. No.	Part No.	Qty.	Description
1	160040	2	High Security Control Door Lock Only (XX4451)
2	160140	2	Key Only For High Security Control Door Lock (XX4451)
3	881053	1	ADC Logo Tape Kit
4	800028*	1	Super AD-24 High Security Control Door Assembly Complete (includes illus. #s 4 - 7)
5	150201	4	#10-32 x 1 / 4" Phillips Round Head Machine Screw
6	117603	3	Trim Bumper Gasket (sold in feet)
7	180206	1	Super AD-24 Top Trim Strip With 2 Lock Holes
8	150420	4	#10-16 x 5 / 8" Tamper Proof Tek-3 Screw
	150421	1	Tamper Proof Screw Hand Driver

* Specify color when ordering



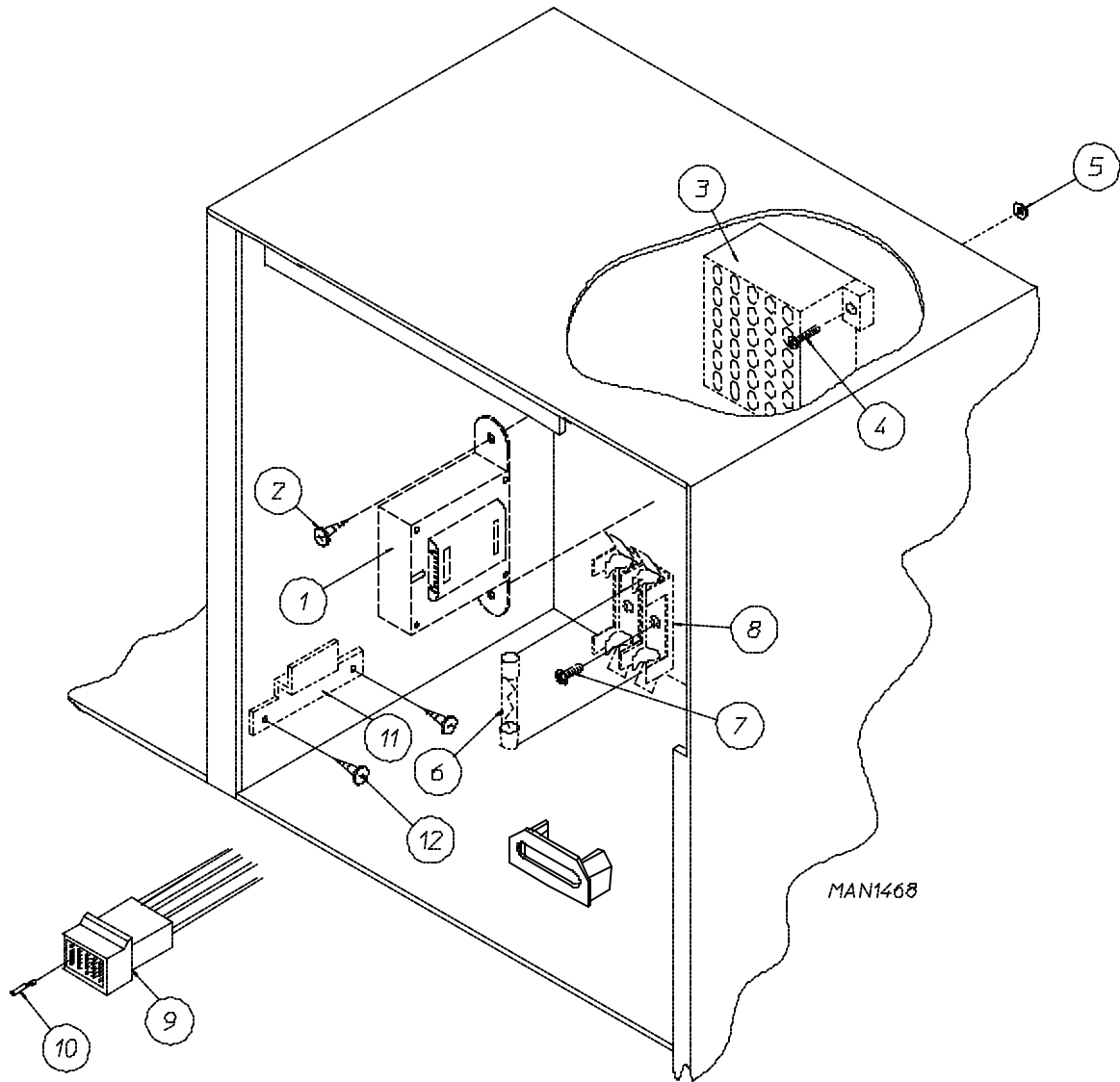
Illus. No.	Part No.	Qty.	Description
1	112526	1	Coin Keyboard Label Assembly
2	850453	1	Phase 5 Coin Control Panel Assembly (includes illus. #'s 1 - 5)
	850454	1	Coin Control Panel Only
3	137213	1	Phase 5 Coin Controller Only
	824998	1	Phase 5 Battery Clip
4	153010	2	#6 Star Washer
5	153005	2	#6-32 x 1/4" Phillips Round Head Machine Screw
6	160015	1	MK-100 High Security Lock Assembly Only with Key
	160104	1	MK-100 Key Only
7	160012	1	Super AD-24 Computer Panel Lock Cam Only
8	-----	1	Microprocessor Coin Acceptor with Optical Switch (refer to Microprocessor Coin Acceptor Listing on page 26)
	125100	1	25¢ Optical Coin Acceptor
9	137056	1*	Optical Switch Only
10	137023	1*	Optical Switch Connector Only
11	137021	3*	Microprocessor Socket Only
--	880772	1	Single Coin Optic Switch Harness
	824080	1	Dual Coin Optic Switch Harness
	122800	1	Microprocessor (female) Pin Extraction Tool
12	136048	1	1 / 8 Amp (Slo-Blo) Fuse

* For Dual Coin Models, Double Qty.



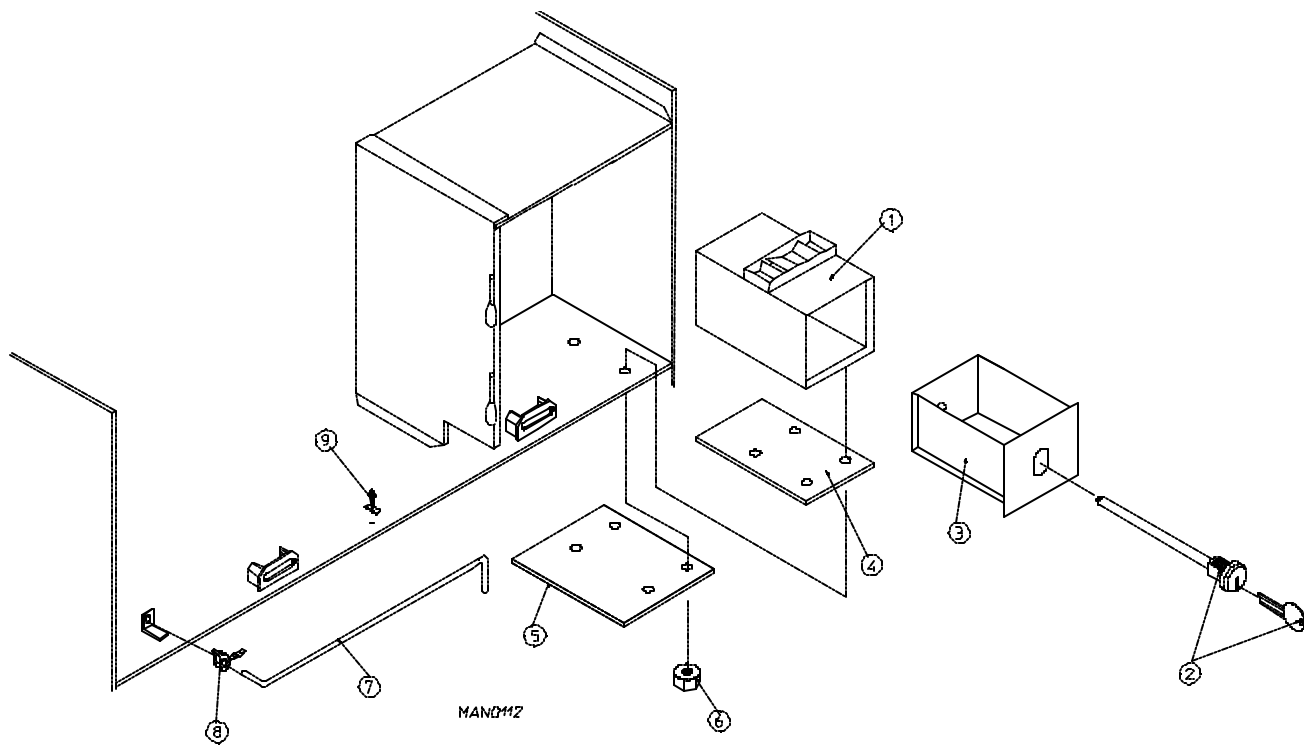
Illus. No.	Part No.	Qty.	Description
1	112535	1	OPL English Keyboard Label Assembly
	112276	1	OPL Stick-on Labels (English Only) Not Shown
	112275	1	OPL Stick-on Labels (Spanish, Italian, and Hebrew) Not Shown
	112277	1	3-Language OPL Stick-on Labels (English, Spanish, and Hebrew) Not Shown
	112278	1	5-Language OPL Stick-on Labels (Italian, Dutch, French, German, and Chinese) Not Shown
2	801225	1	Phase 5 Microprocessor Control Panel Only
	824443	1	Phase 5 OPL Non-Reversing Microprocessor Control Panel Assembly Complete (includes illus #'s 1 - 7)
3	137222	1	Phase 5 OPL Non-Reversing Controller Only
	824998	1	Phase 5 Battery Clip
4	153010	2	#6 Star Washer
5	150005	2	#6-32 x 3/4" Phillips Round Head Machine Screw
6	160005	1	Spring Turn Latch (2-piece)
7	136048	1	1 / 8 Amp (Slo Blo) Fuse

IMPORTANT: Check label on computer chip to verify correct part # for microprocessor controller.



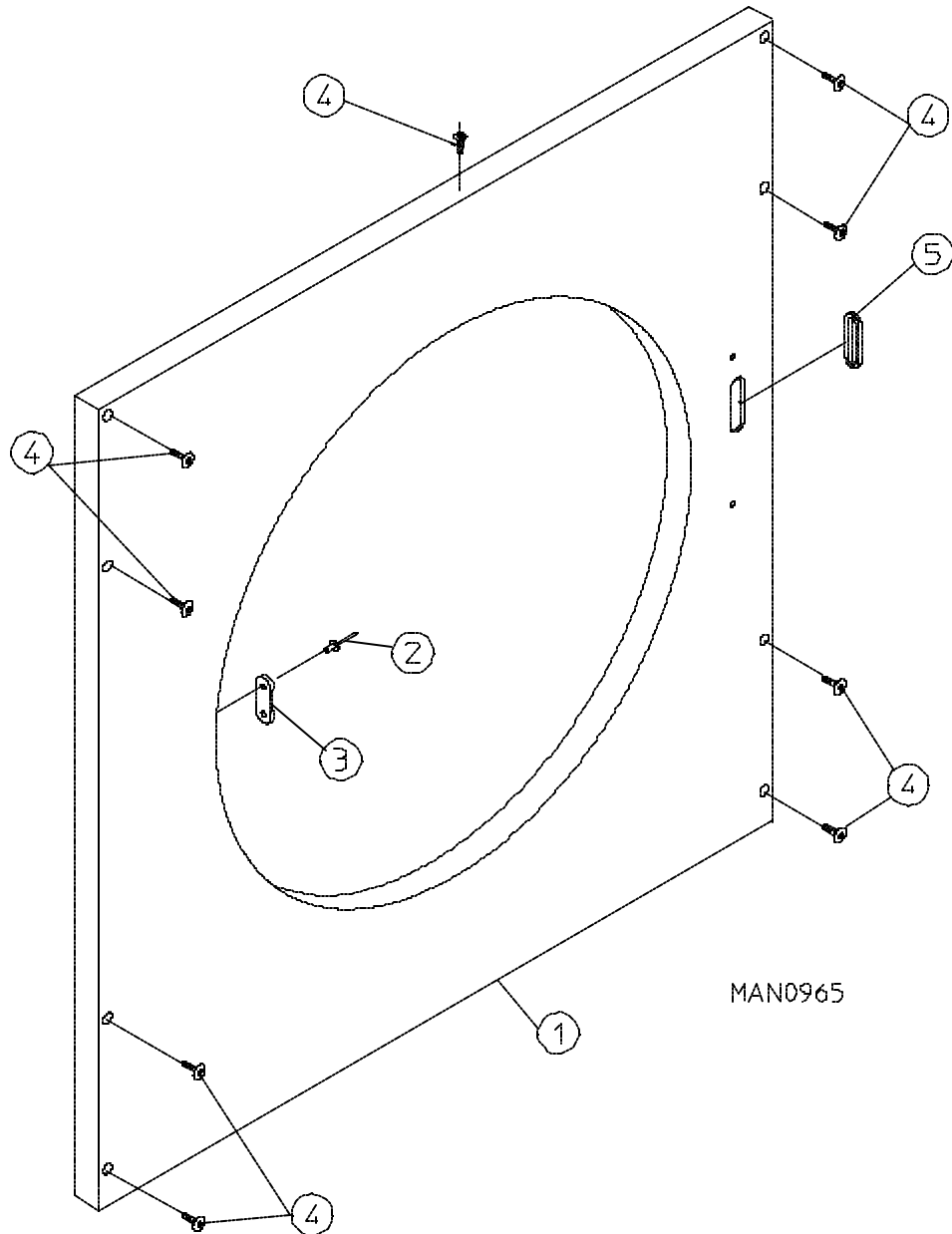
Illus. No.	Part No.	Qty.	Description
1	141403	1	24 Vac Transformer
2	150301	2	#8-18 x 7 / 16" Hex Washer Tek Screw
3	120715	1	30-Position Terminal Block
4	150002	2	#6-32 x 1" Round Head Machine Screw
5	151000	2	#6-32 Pal Nut
6	136057	*	1 / 2 Amp (Slo Blo) Fuse Only
7	150301	*	#8-18 x 7 / 16" Phillips Pan Head TEK Screw
8	136008	*	Fuse Block / Strip Only
9	122641	1	15 Pin Microprocessor Connector
10	122706	*	Sockets
11	305542	1	Battery Bracket
12	150301	2	#8-18 x 7 / 16" Phillips Pan Head Tek Screw

* As Required



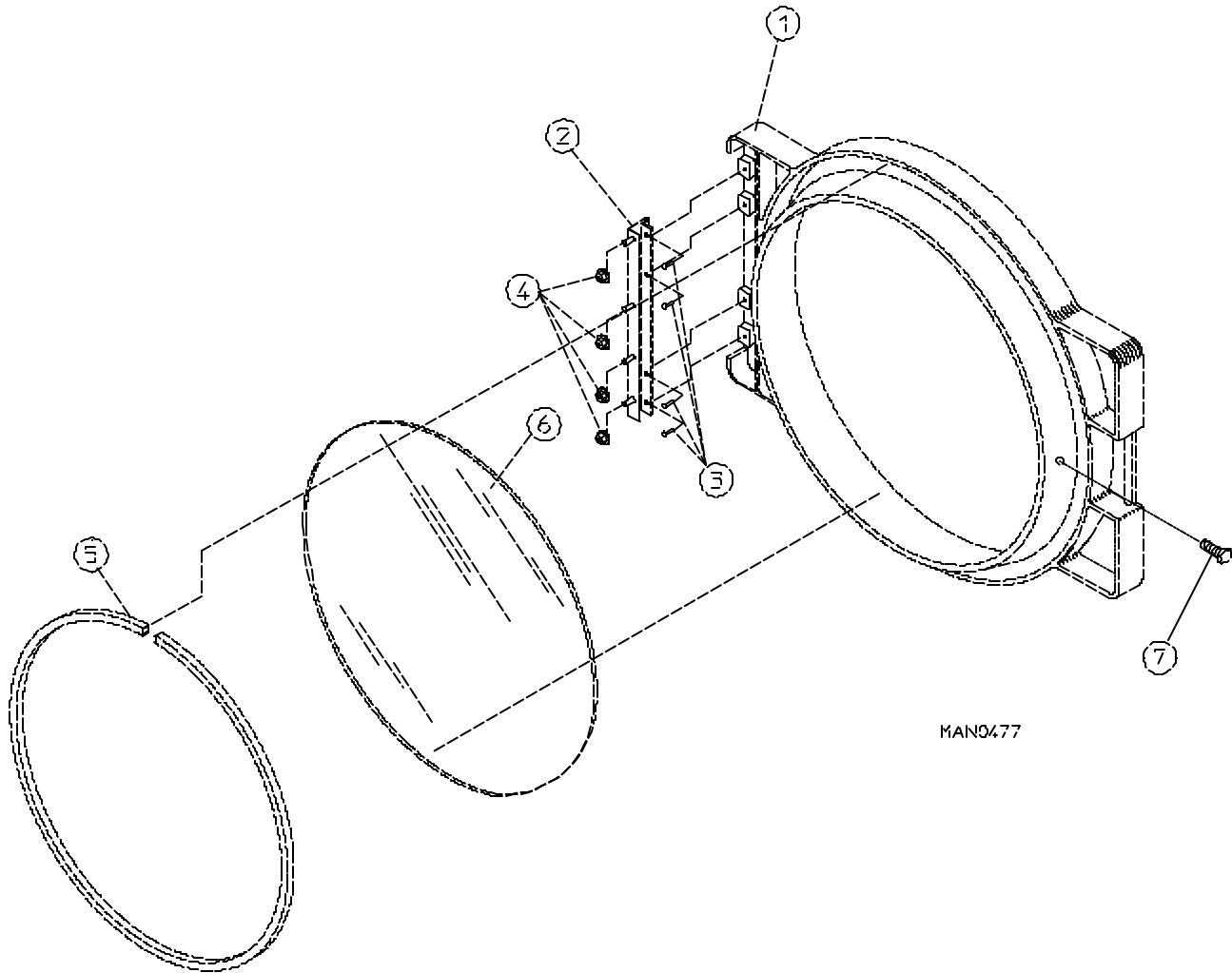
Illus. No.	Part No.	Qty.	Description
1	802146	1	Super AD-24 Security Coin Vault Assembly Complete (includes illus. #'s 1 - 3)
	802139	1	Super AD-24 High Security Coin Vault Only
2	160027	1	High Security Lock with Key (each keyed different)
	160127*	1	Key Only For High Security Lock
	160022	1	Super AD-24 High Security Screw Lock with Key
	160113*	1	Key Only For High Security Screw Lock
3	802138	1	Super AD-24 High Security Coin Box Assembly with Lock
	802147	1	Super AD-24 High Security Coin Box Only
4	316048	1	Super AD-24 Coin Vault Spacer Plate
5	309250	1	Super AD-24 Coin Vault Slot Cover
6	152014	4	1 / 4-20 Free Spin Wash Nut
7	102502	1	Super AD-24 Control Door Support Rod
8	102601	1	Control Door Rod Retainer Clip
9	102600	1	Control Door Support Rod Catch

* Specify key number when ordering.



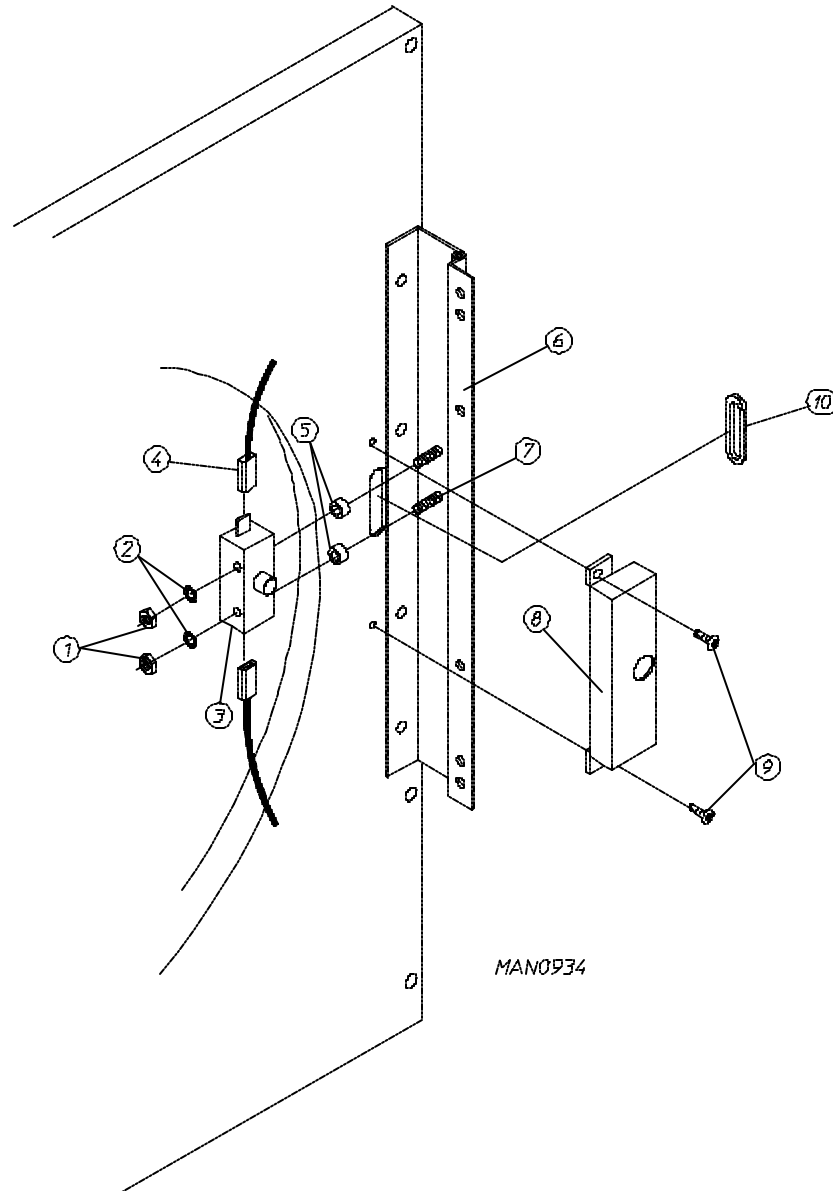
Illus. No.	Part No.	Qty.	Description
1	800675*	1	Super AD-24 Front Panel Assembly Complete with Hinge (includes illus. #'s 1 - 3, and 5)
2	154215	2	5 / 32" Pop Rivet
3	170330	1	Friction Door Latch
4	150415	8	#10-16 x 1/2" Phillips Round Head Crimptite Screw
5	121405	1	Rubber Grommet

* Specify color when ordering.

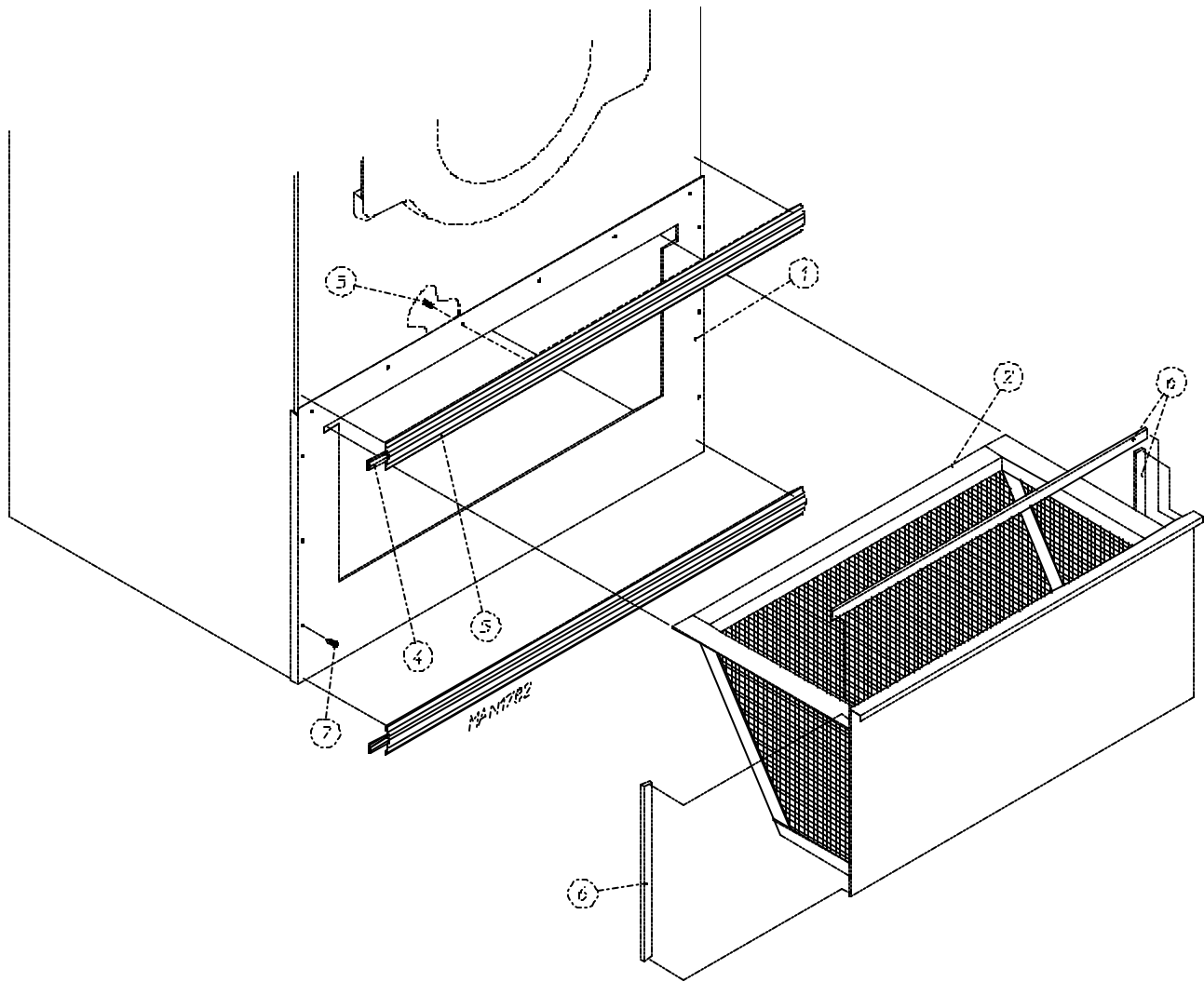


Illus. No.	Part No.	Qty.	Description
1	800285*	1	Gray (Lightweight) Main Door Assembly Complete (includes illus # 1, and 5 - 7)
2	800448	1	12-1/2" Stainless Steel Main Door Hinge Assembly
3	150410	4	#10-24 x 3/8" Phillips Pan Head Taptite Screw
4	152014	4	1 /4-20 Free Spin Wash Nut
5	102353	1	69-1/2" Main Door Gasket
	170730	1	Main Door Gasket Adhesive (10.3 oz. Cartridge)
6	102210	1	20-7 / 16" Door Glass
	170730	1	Main Door Glass Adhesive (10.3 oz. Cartridge)
7	150431	1	Main Door Latch Screw (#10 x 7/16" Dome Hex Head)

* Contact factory for colors other than gray.

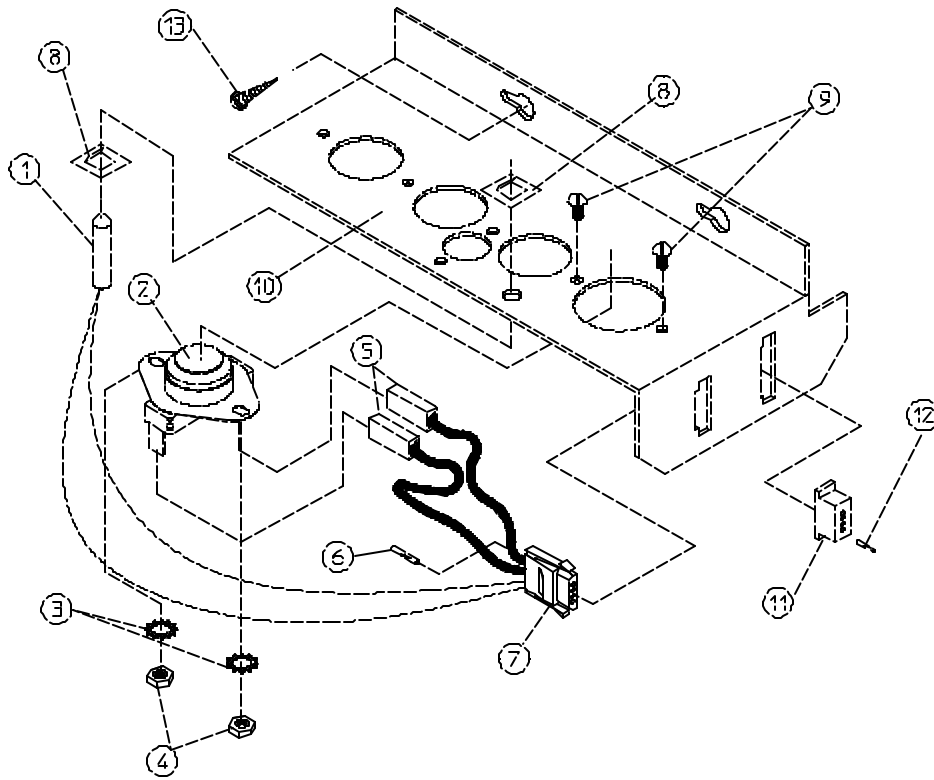


Illus. No.	Part No.	Qty.	Description
1	152013	2	#6-32 Hex Nut
2	153008	2	#6 Split Lock Washer
3	137005	1	Single Pole Door Switch
4	121028	2	Insulated Female Terminal
5	154281	2	3 / 8" Standard Nylon Spacers
6	800448	1	12-1/2" Stainless Steel Main Door Hinge Assembly (includes illus. #'s 6 and 7)
7	153565	2	#6 Stud
8	313218	1	Super AD-24 Main Door Switch Housing
9	150201	2	#10-32 x 1 / 4" Phillips Pan Head Screw
10	121405	1	Rubber Grommet



Illus. No.	Part No.	Qty.	Description
1	881074	1	Lint Door Assembly (includes illus. #'s 1, and 3 - 5)
2*	850721	1	Lint Drawer Assembly (Non-Locking)
3	150201	12	10-32 x 1-1 / 4" Phillips TEK Screw
4	117603	5	Trim Bumper Gasket
5	180213	2	Mid Trim Kick Plate
6	117600	7	Noise Suppressor Tape
7	150415	6	10-16 x 1 / 2" Phillips Head Crimpite Screw

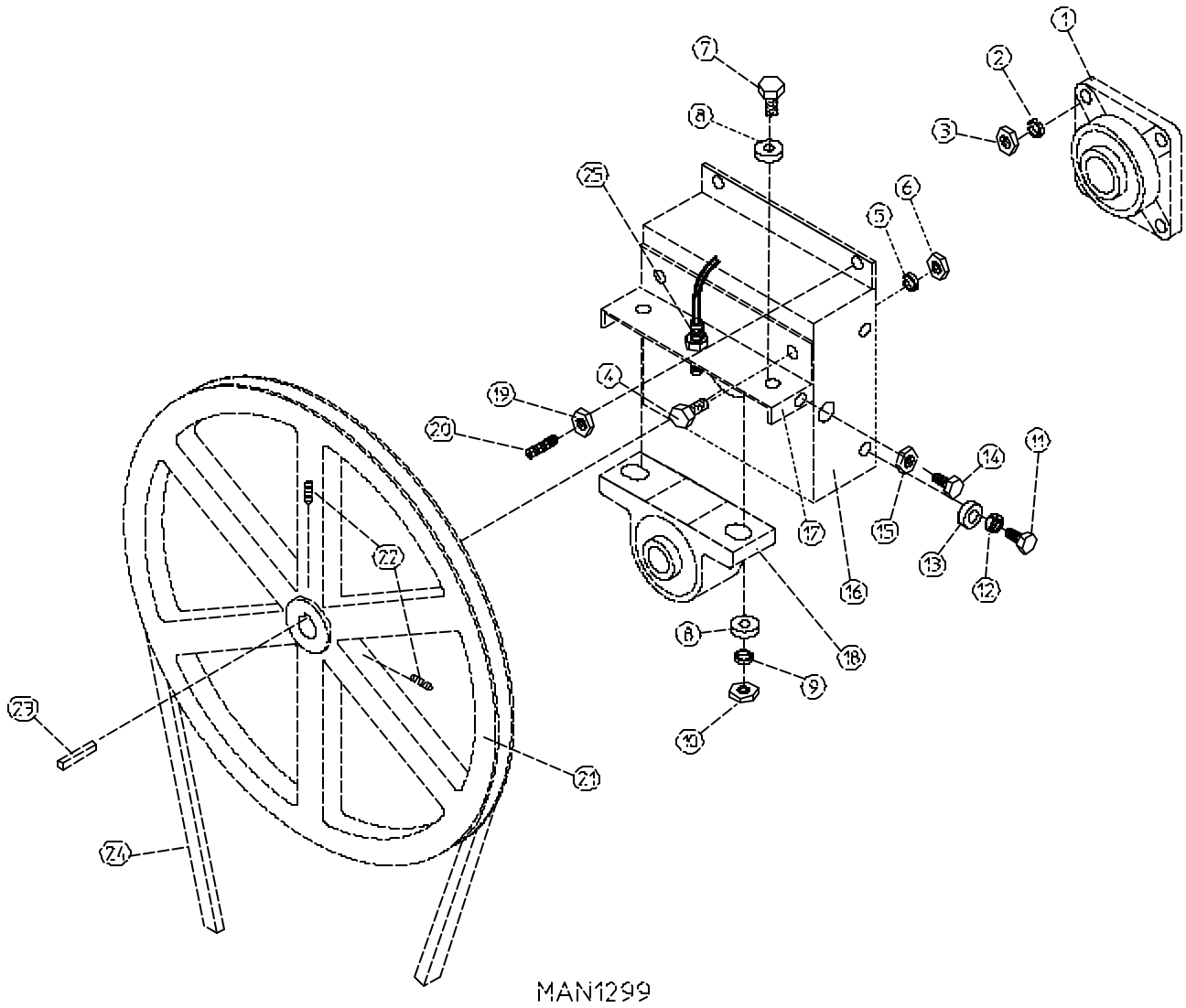
* Specify color when ordering.



MAN2029

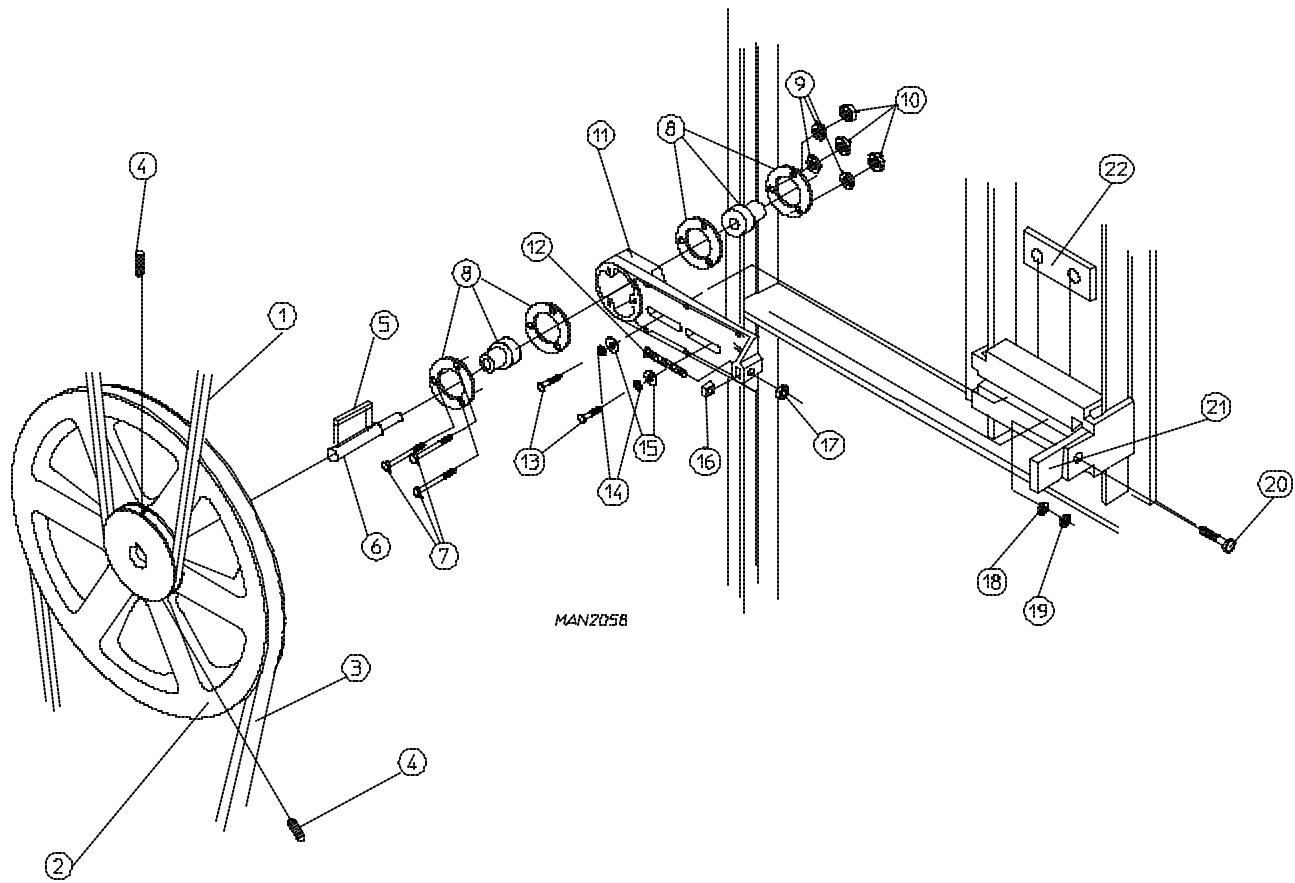
MICROPROCESSOR SENSOR BRACKET ASSEMBLY

Illus. No.	Part No.	Qty.	Description
1	880251	1	1 / 4" Temperature Sensor Probe Assembly (includes illus. #'s 1 and 5 - 8)
2	130103	1	225° Large Automatic Thermostat
3	153010	2	#6 Star Washer
4	152000	2	#6-32 Hex Nut
5	121028	2	Insulated Terminal Only
6	122701	4	Socket Terminal Only
7	122605	1	4-Pin Socket Connector Only
8	154007	2	1 / 4" Tinnerman Push-on Fastener
9	150005	2	#6-32 x 1 / 4" Round Head Machine Screw
10	801425	1	Microprocessor Sensor Bracket Assembly Complete (includes illus. #'s 1 - 10)
	305007	1	Universal Sensor Bracket Only
11	122604	1	4-Pin Connector Only
12	122700	4	Pin Terminal Only
13	150301	2	#8-18 x 7 / 16" Phillips Pan Head Tek Screw

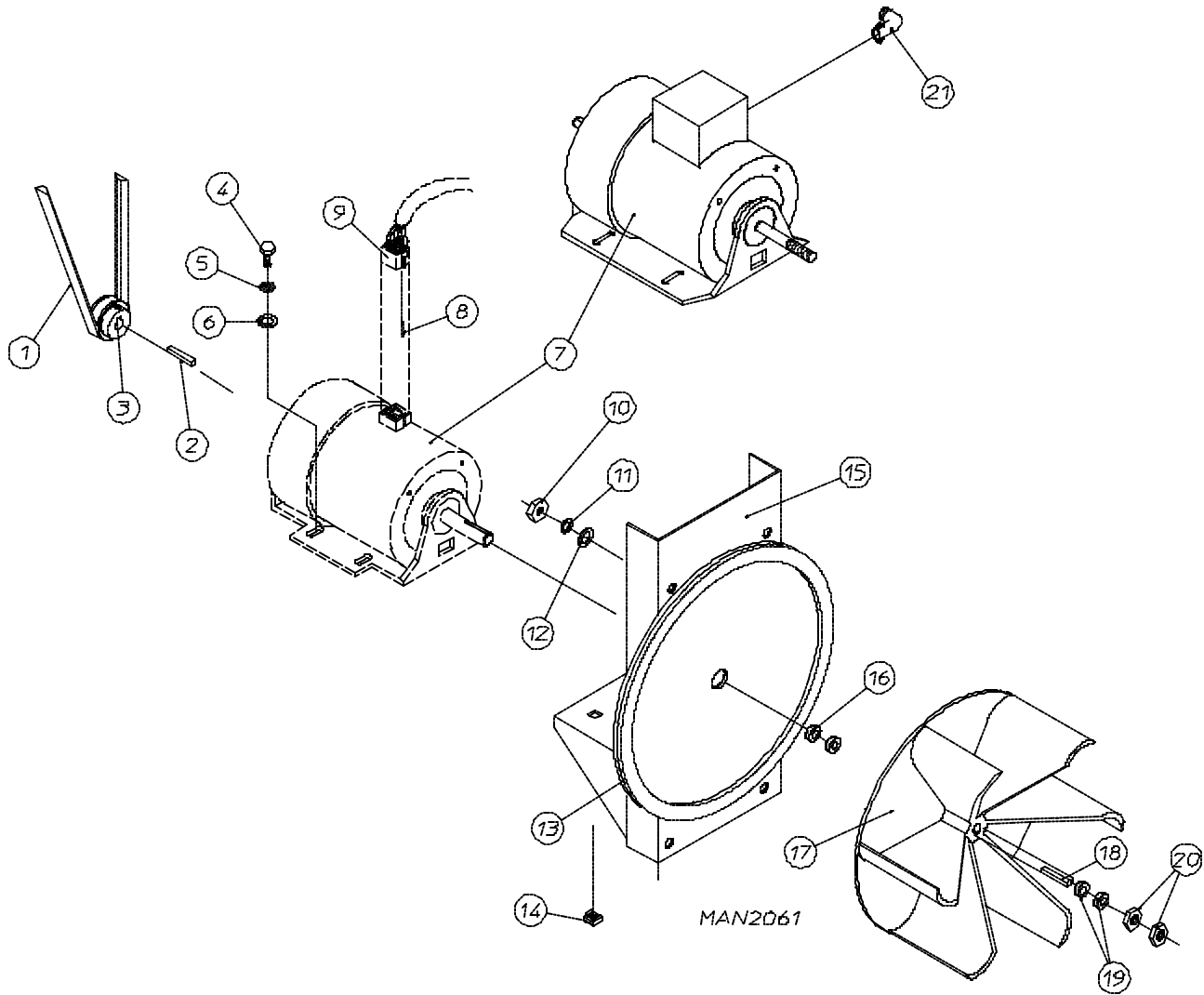


Illus. No.	Part No.	Qty.	Description
1	100203	1	1-3 / 8" Flange Bearing
2	153005	4	3 / 8" Lock Washer
3	152005	4	#3 / 8-16 Hex Nut
4	150508	2	#3 / 8-16 x 3 / 4" Hex Head Machine Bolt
5	153005	2	3 / 8" Lock Washer
6	152005	2	#3 / 8-16 Hex Nut
7	150600	2	#3 / 8-16 x 1-1 / 2" Hex Head Machine Bolt
8	153004	2*	3 / 8" Flat Washer
9	153005	2*	3 / 8" Lock Washer
10	152005	2*	#3 / 8-16 Hex Nut
11	150501	4	#5 / 16-18 x 3 / 4" Hex Head Machine Bolt
12	153002	4	5 / 16" Lock Washer
13	153001	4	5 / 16" Flat Washer
14	150621	2	#5 / 16-18 x 1-1 / 2" Hex Head Machine Bolt
15	152004	2	#5 / 16-18 Hex Nut
16	801101	1	1-3 / 8" Bearing Box Assembly Complete (for models mfg. without Rotational Sensor) (includes illus. #'s 4 - 20)
	801103	1	1-3 / 8" Bearing Box and Support Only (includes illus. # 4 - 6,16, and 17)
	801105	1	1-3 / 8" Bearing Box Only
17	801104	1	Pillow Block Bearing Support Only
18	880779	1	1-3 / 8" Pillow Block Bearing Assembly with Magnet (for models mfg. with optional Rotational Sensor)
	100202	1	1-3 / 8" Pillow Block Bearing Only
19	152004	2	#5 / 16-18 Hex Nut
20	150610	2	#5 / 16-18 x 1-1 / 2" Allen Set Screw
21	101100	1	18" Pulley (for non-reversing models only)
22	154301	2	#5 / 16-18 x 5 / 16" Allen Set Screw (cone point)
23	100713	1	1 / 4" x 1 / 4" x 7 / 8" Key
24	100111	1	5L650 "V" Belt (to idler Assembly)
25	824807	1	Rotational Sensor Assembly (option)

* Some models require a quantity of 4.



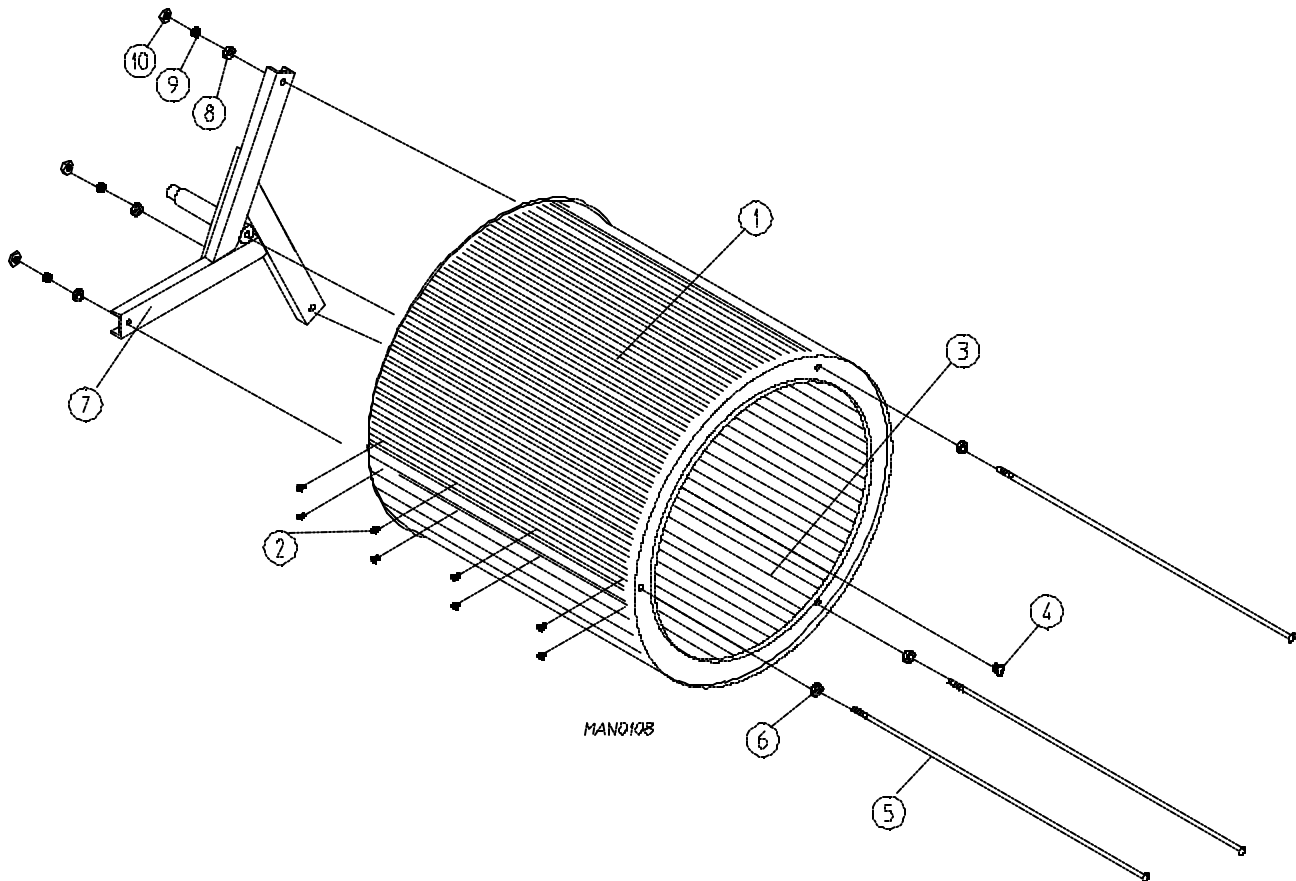
Illus. No.	Part No.	Qty.	Description
1	100111	1	5L650 "V" Belt (to basket (tumbler) / support assembly)
2	101129	1	9" x 2-1 / 2" Compound Pulley
3	100110	1	4L500 "V" Belt (to T.E.F.C. motor mount assembly)
4	154301	2	#5 / 16-18 x 5 / 16" Allen Set Screw
5	100705	1	3 / 16" x 3 / 16" x 1-3 / 8" Key
6	301850	1	5 / 8" x 3 / 4" Idler Shaft
7	150529	3	1 / 4-20 x 2-1/4" Carriage Bolt
8	100214	2	5 / 8" Flange Bearing
9	153007	3	1 / 4" Lock Washer
10	152002	3	1 / 4-20 Hex Nut
11	801008	1	Idler Bearing Assembly Complete (includes illus. #'s 6 - 22)
	100406	1	Idler Bearing Mount Only
12	150613	1	#5 / 16-18 x 4" Hex Head Machine Bolt
13	150617	2	#3 / 8-16 x 1" Hex Head Machine Bolt
14	153005	2	3 / 8" Lock Washer
15	153004	2	3 / 8" Flat Washer
16	152020	1	#5 / 16-18 Standard Square Nut
17	152004	1	#5 / 16-18 Hex Nut
18	152005	1	#3 / 8-16 Hex Nut
19	153005	1	3 / 8" Lock Washer
20	150617	1	#3 / 8-16 x 1" Hex Head Machine Bolt
21	301851	1	Idler Bracket Adjustment Plate
22	801009	1	Idler Square Washer



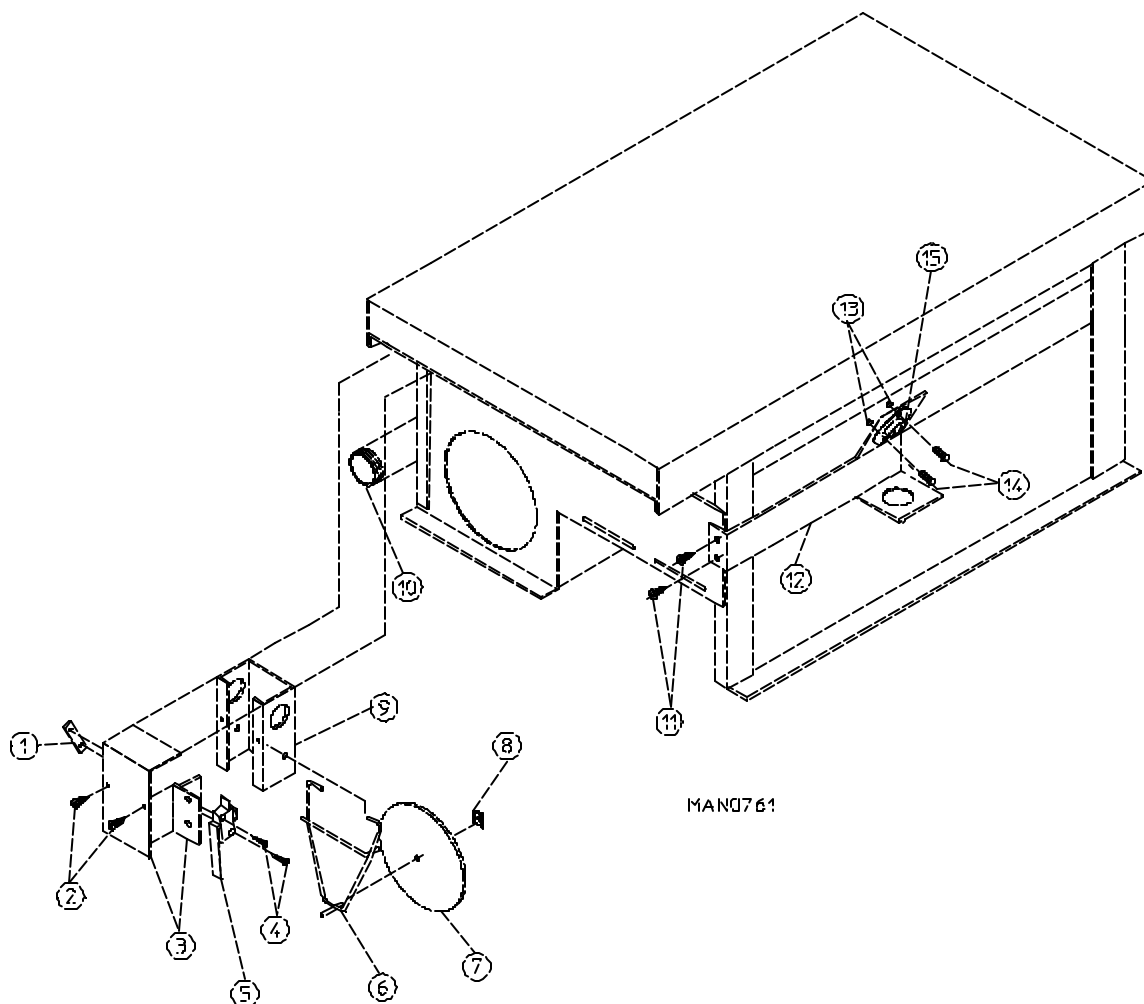
Illus. No.	Part No.	Qty.	Description
1	100110	1	4L620 "V" Belt (to idler assembly)
2	100701	1	3 / 16" x 3 / 16" x 1" Key
3	101132	1	5 / 8" x 2" Motor Pulley (60 Hz motors only)
	101133	1	5 / 8" x 2-1/4" Motor Pulley (50 Hz motors only)
4	150501	4	5 / 16-18 x 3 / 4" Hex Head Machine Bolt
5	153002	4	5 / 16" Lock Washer
6	153001	4	5 / 16" Flat Washer
7	100073	1	1HP 115 / 208 / 230v / 1Ø 60Hz T.E.F.C. Motor with plug (56Z frame)
	100076*	1	3 / 4 HP 230v / 50 Hz 1Ø T.E.F.C. Motor (56Z Frame)
8	122701	8	Socket Terminal Only
	122801	1	Pin / Socket Extraction Tool
9	137030	1	8-Pin Housing Connector
10	152004	4	#5 / 16-18 Hex Nut
11	153002	4	5 / 16" Lock Washer
12	153001	4	5 / 16" Flat Washer
13	117600	4	Noise Suppressor Tape (sold in feet)
14	154000	4	5 / 16-18 Tinnerman Nut
15	800919	1	Super AD-24 Non-Reversing Motor Mount ONLY (56Z frame)
	881073*	1	1HP 115 / 230v 60Hz 1Ø T.E.F.C. Motor Mount Assembly with Plug Complete (includes illus. #'s 2 - 7 and 13 - 20)
	880944	1	3 / 4 HP 230v 50Hz / 1Ø Non-Reversing T.E.F.C. Motor Mount Assembly Complete (includes illus. #'s 2 - 7 and 13 - 21)
16	153051	2	3 / 4" S.A.E.. Flat Washer
17	100603	1	16" Impellor w/3 / 4" Bore
18	100714	1	3 / 16" x 3 / 16" x 1 7/8" Key
19	153050	2	1 / 2" S.A.E. Flat Washer
20	152006	2	1 / 2-20 Left Hand Jam Nut
21	102200	1	3 / 8 x 90° Connector (50Hz models only)

* Specify voltage when ordering.

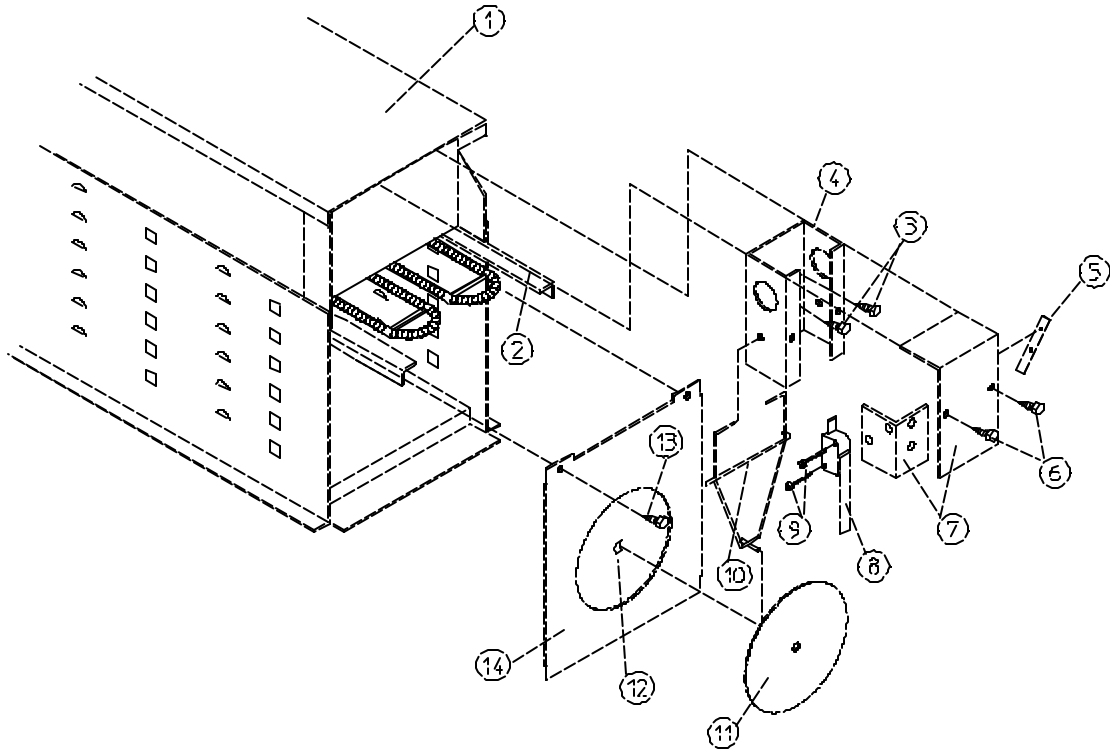
Illus. No.	Part No.	Qty.	Description
1	318030	1	DSI Burner Shield
2	150300	2	#10 x 1 / 2" Hex Washer TEK Screw
3	150415	2	#10-16 x 1 / 2" Phillips Round Head Crimptite Screw
4	128915	1	DSI Ignitor / Flame Probe Assembly
	880134	1	Ignitor / Flame Probe Kit Assembly (includes illus. # 4 & 5)
5	880330	1	HV Wire and Connector Assembly
6	150103	2	#8-32 x 1 / 2" Pan Head Machine Screw
7	153000	2	#8 Steel Burr
8	151001	2	#8-32 Pal Nut
9	141105	2	Large Tube Burner
10	140856	2	Burner Orifice #23 (natural gas)
	140819	2	Burner Orifice # 30 (L.P. Gas)
11	141230	1	1 / 2" DSI Manifold (2-Port)
12	318700	1	Pipe Bracket (bent)
13	150300	2	#10 x 1 / 2" Hex Washer Tek Screw
14	128927	1	1 / 2" 24 Vac Redundant Gas Valve (natural gas)
	880960	1	1/2" 24 Vac Redundant Gas Valve (L.P. gas)
	140411	1	1 / 2" Valve Conversion Kit (liquid propane)
15	141325	1	Tail Piece Collar Only
16	141303	1	1 / 2" Union Tail Piece Only
17	141305	1	Union Shut-off Body only
18	142809	1	1 / 2" x 29 1 / 8" Pipe
19	150415	4	#10-16 x 1 / 2" Phillips Round Head Crimptite
20	318700	2	Pipe Bracket (bent)
21	850851	1	Non-Heat Reclaimer Burner Box only
	810008	1	Burner Assembly Complete (Less Orifices)
22	880815	1	DSI Module Only (50 / 60 Hz)
23	150299	2	#10 x 1 / 2" Hex Washer Tek Screw
--	881101	1	L.P. Conversion Kit
--	410001	1	1 / 2" Allen Wrench (for removal of 1/2" tailpeice P/N: 141303)



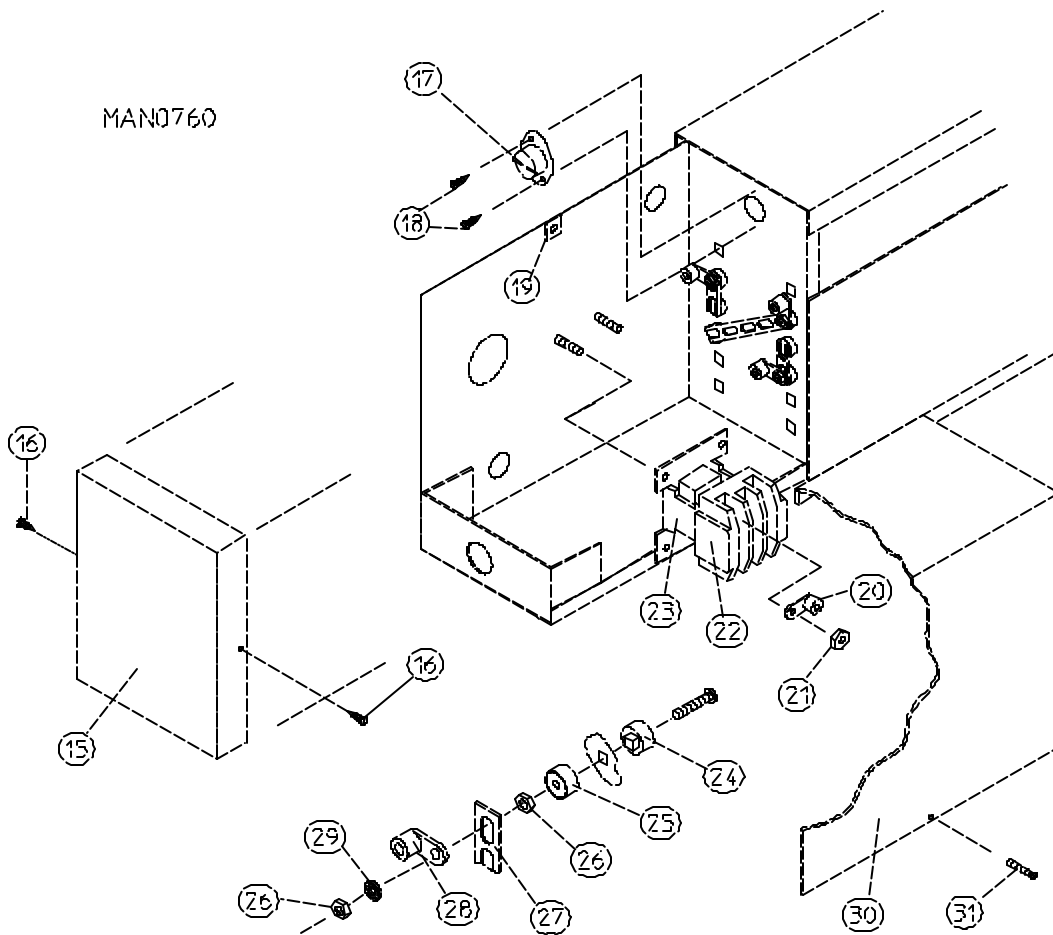
Illus. No.	Part No.	Qty.	Description
1	800843	1	Super AD-24 (galvanized) Tumbler and Support Assembly Complete (includes illus. #'s 1 - 10)
	800717	1	Super AD-24 Tumbler Only
2	150415	30	#10-16 x 1 / 2" Phillips Round Head Crimptite Screw
3	301318	2	Super AD-24 Tapered Rib Only (Low Rib)
	301317	1	Super AD-24 Tapered Rib Only (High Rib)
4	150518	1	5 / 16-18 x 3 / 8" Socket Screw
5	100907	3	5 / 16-18 x 25" Tie Rod
6	153003	3	3 / 8" x 1-1 / 2" Fender Washer
7	800612	1	Super AD-24 Tumbler Support Only
8	153001	3	5 / 16" Flat Washer
9	153002	3	5 / 16" Lock Washer
10	152004	3	5 / 16-18 Hex Nut



Illus. No.	Part No.	Qty.	Description
1	154004	1	Twin Speed Nut
2	150415	2	#10-16 x 1 / 2" Phillips Round Head Crimptite Screw
3	802799	1	Sail Switch Box Cover and Bracket Only
4	150303	2	#4 x 3 / 4" Pan Head "A" Machine Screw
5	122200	1	Sail Switch
6	105500	1	Sail Switch Acuator Rod
7	319202	1	Sail Switch Damper (flat)
8	154002	1	1 / 8" Push-On Fastener
9	802801	1	Sail Switch Box Assembly Complete (includes illus. #'s 1 - 9)
	802800	1	Sail Switch Box with Cover and Bracket Only
10	142809	1	1 / 2" x 29-1 / 8" Pipe
11	150415	2	#10-16 x 1 / 2" Phillips Round Head Crimptite Screw
12	319704	1	Hi-Limit Mounting Bracket Only
13	151000	2	#6-32 Pal Nut
14	150001	2	#6-32 x 1 / 2" Round Head Machine Screw
15	130401	1	330° Hi-Limit

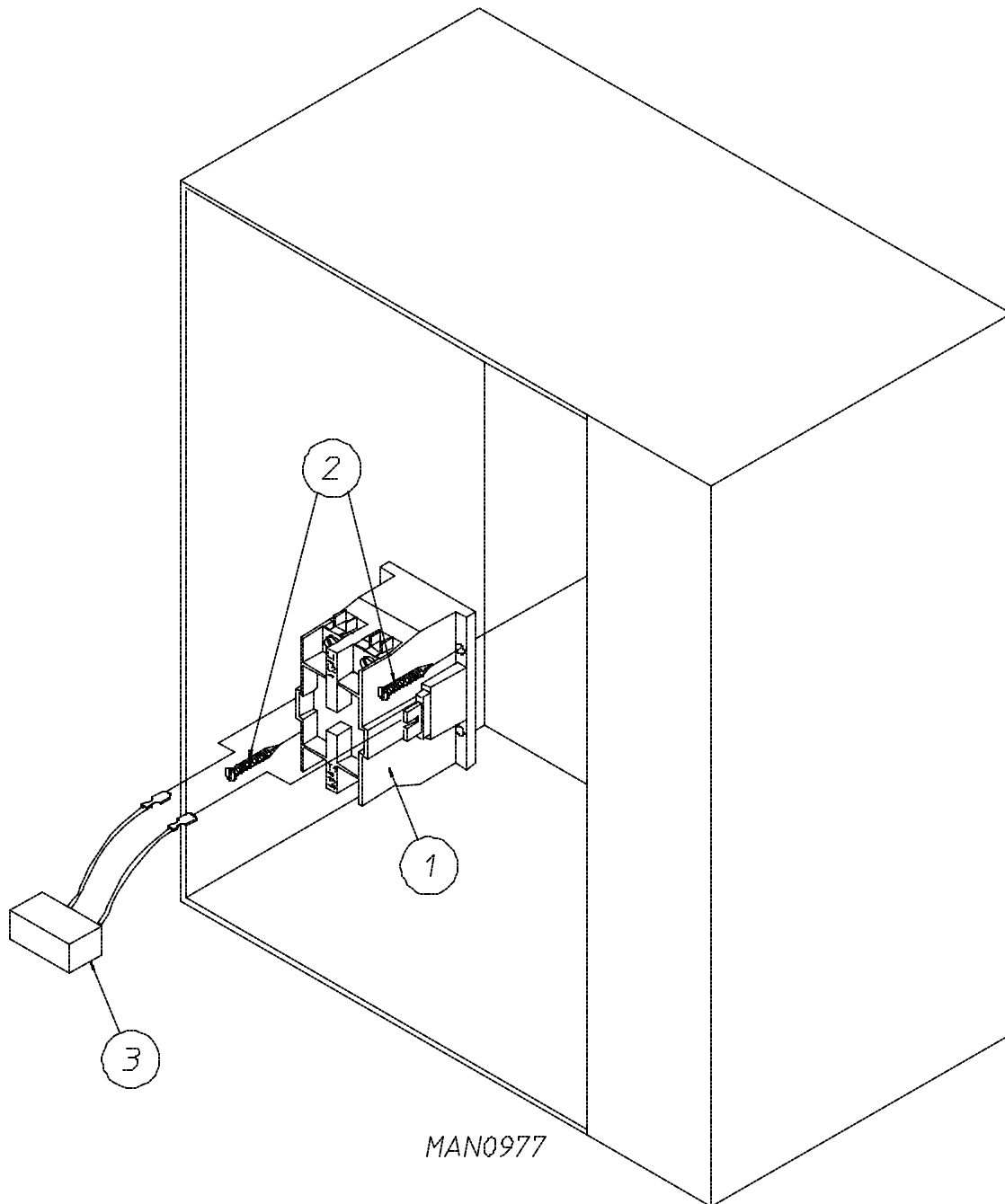


ELECTRIC OVEN (FRONT VIEW)

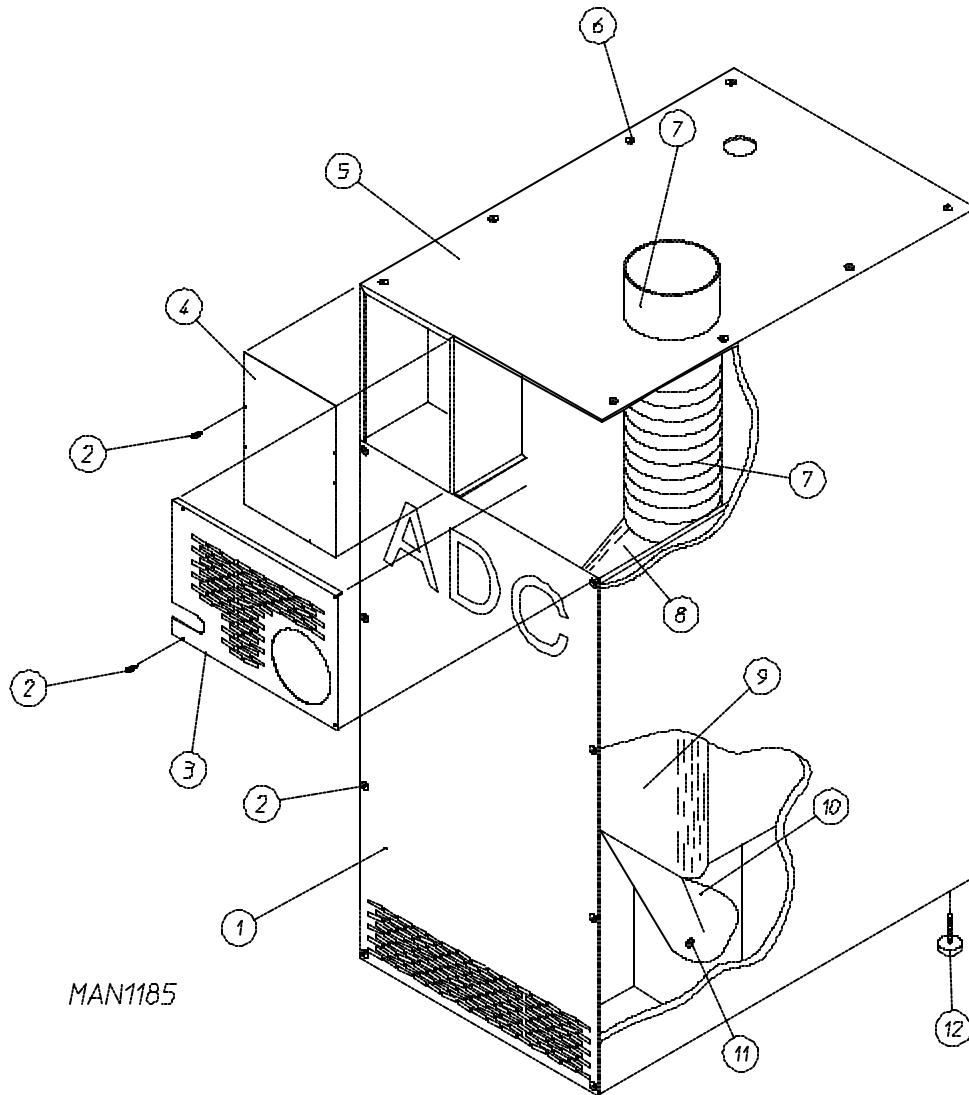


MAN0760

Illus. No.	Part No.	Qty.	Description
1	803007	1	Large Electric Oven Box Only
	881023	1	30 kw 380 v 3 Ph Electric Oven Assembly Complete (only voltage available at time of printing)
2	120022	-	4.5 kw / 12-5 / 8" Electric Element
3	150300	2	#10 x 1 / 2" Hex Washer Tek Screw
4	802800	1	Sail Switch Box with Cover and Bracket Only
	802801	1	Sail Switch Box Assembly Complete (includes illus. # 4 - 12)
5	154004	1	Twin Speed Nut
6	150415	2	#10-16 x 1 / 2" Phillips Round Head Crimptite Screw
7	802799	1	Sail Switch Box Cover Only
8	122200	1	Sail Switch
9	150303	2	#4 x 3 / 4" Pan Head " A" Machine Screw
10	105500	1	Sail Switch Actuator Rod
11	319202	1	Sail Switch Damper (flat)
12	154002	1	1 / 8" Push-On Fastener
13	150300	2	#10 x 1 / 2" Hex Washer Tek Screw
14	803100	1	Electric Oven Front Cover Only
15	320611	1	Large Relay Box Cover Only
16	150402	2	#10-24 x 5 / 8" Slotted Truss Head Machine Screw
17	130400	1	290° Hi-Limit
18	150300	2	#10 x 1 / 2" Hex Washer Tek Screw
19	154001	1	#10-24 Speed Nut
20	121010	1	L-70 Ground Lug
21	152014	3	1 / 4"-20 Free Spin Wash Nut
22	131355	1	Furnas 50 Amp 24 volt Oven Relay
23	131356	1	24 volt Oven Relay Replacement Coil
24	120081	-	Internal Ceramic Insulator (2 per element)
25	120080	-	External Ceramic Insulator (2 per element)
26	152008	-	#10-32 Hex Nut (4 per element)
27	121011	-	Bus Bar (sold in feet)
28	121010	-	L70 14-4 Terminal Lug
29	153009	-	#10 Star Washer (2 per element)
30	320607	1	Large Electric Oven Right Side Cover Only
31	150402	2	#10-24 x 5 / 8" Slotted Truss Head Machine Screw



Illus. No.	Part No.	Qty.	Description
1	132451	1	2-Pole Contactor 24 VAC
2	150299	2	#10 x 1" Hex Washer TEK Screw
3	824828	1	RC Network with Connector
---	322809	1	Back Electrical Box Cover (not shown)
---	150301	4	#8-18 x 7 / 16" Phillips Pan Head TEK Screw (not shown)



Illus. No.	Part No.	Qty.	Description
1	330636	1	Super AD-24 Back Guard
2	150301	16	#8-18 x 7 / 16" Phillips Pan Head TEK Screw
3	330638	1	Super AD-24 Top Back Guard
4	322809	1	Back Electrical Box Cover
5	330618	1	Super AD-24 Outer Top
6	150301	8	#8-18 x 7 / 16" Phillips Pan Head TEK Screw
7	143519	1	6" x 4' Flexible Exhaust Duct
8	804023	1	Transition Duct with 6" Damper
9	143540	1	18-1 / 2" Long x 7" Oval Duct
10	143515	1	6" Round x 7" Oval - 90° Boot
11	150300	2	#10 x 1 / 2" Hex Washer TEK Screw
12	103500	4	Adjustable Leveling Leg
---	117505	4	Aluminum Duct Tape (sold in feet)

Note: Coin Acceptors Listed Include Optical Switch (P/N: 137056)

Single Coin

ADC Parts No.	Nation	Description
125100	U.S. and Canada	.25¢ Optic Coin Acceptor
125127	Canada	1.00 Canadian Optic Coin Acceptor
125101	United Kingdom	10 New Pence Optic Coin Acceptor
125114	United Kingdom	20 New Pence Optic Coin Acceptor
125115	United Kingdom	1 Pound Optic Coin Acceptor
125106	France	1 French Franc Optic Coin Acceptor
125120	France	2 French Franc Optic Coin Acceptor
125124	France	5 French Franc Optic Coin Acceptor
125137	Denmark	New 1 Danish Krone Optic Coin Acceptor
125125	Netherlands	.25¢ Guilder Optic Coin Acceptor
125108	Australia	.10¢ Australian Optic Coin Acceptor
125107	Australia	.20¢ Australian Optic Coin Acceptor
125130	Australia	1.00 Australian Optic Coin Acceptor
125123	New Zealand	.50¢ New Zealand Optic Coin Acceptor
125104	Japan	100 Yen Optic Coin Acceptor
125103	---	.882 Token Optic Coin Acceptor
125121	---	.800 Token Optic Coin Acceptor
125129	---	Muller Token Optic Coin Acceptor
125132	Singapore	.50¢ Singapore Optic Coin Acceptor
125133	Hong Kong	1.00 Hong Kong Optic Coin Acceptor

Dual Coin

ADC Parts No.	Nation	Description
122116	US and Canada	.10¢ / .25¢ Dual Optic Coin Acceptor
125128	Canada	.25¢ / 1.00 Dual Optic Coin Acceptor
125112	United Kingdom	10 / 20 Pence Dual Optic Coin Acceptor
125110	United Kingdom	10 / 50 Pence Dual Optic Coin Acceptor
125111	United Kingdom	20 / 50 Pence Dual Optic Coin Acceptor
125113	United Kingdom	1 Pound / 20 Pence Dual Optic Coin Acceptor
125122	France	2 / 5 French Franc Dual Optic Coin Acceptor
125134	Denmark	New 1 / 5 Danish Krone Dual Optic Coin Acceptor
125138	Denmark	New 5 / 10 Danish Krone Dual Optic Coin Acceptor
125126	Netherlands	.25¢ / \$1.00 Guilder Dual Optic Coin Acceptor
125118	Singapore	.20¢ / .50¢ Singapore Dual Optic Coin Acceptor
125105	Japan	50 / 100 Yen Dual Optic Coin Acceptor

<u>Part No.</u>	<u>Description</u>
112027	"Water Washed Fabrics" Label
112040	"Lint Compartment" Label
112041	"Caution-Exhausted" Label
112533	Phase 5 Coin "Program Location Summary" Label
112534	"Phase 5 OPL Porgram Location Summary" Label
120100	3 / 8" Straight (BX) Connector
120300	3 / 8" x 45° (BX) Connector
120400	3 / 8" Red Jacket (BX) Insulator
120500	3 / 8" Jiffy Clip (BX Retainer Clip)
120600	3 / 8" Greenfield (BX)
120800	1 / 4" In-Line Connector
120802	Red Butt Connector
120902	#74B Wire Nut
120903	Crimp-on Wire Nut
121014	1 / 4" Insulated (female) Terminal
121026	Tab Receptacle Combination
121499	4" Harness Tie
121500	7" Harness Tie
122503	Harness Tie Mounting Clip
122804	Manometer (water column test gauge)
121497	33" Heavy Duty Cable Tie
121507	Snap Wire Tie Screw Mount
880200	Electrical Terminal (assortment) Kit

