



AD-310 Parts Manual

(with Tilt Options)

1994 thru 2000

American Dryer Corporation
88 Currant Road
Fall River, MA 02720-4781
Telephone: (508) 678-9000 / Fax: (508) 678-9447
e-mail: techsupport@amdry.com

Retain This Manual In A Safe Place For Future Reference

American Dryer Corporation products embody advanced concepts in engineering, design, and safety. If this product is properly maintained, it will provide many years of safe, efficient, and trouble-free operation.

ONLY qualified technicians should service this equipment.

OBSERVE ALL SAFETY PRECAUTIONS displayed on the equipment or specified in the installation/operator's manual included with the dryer.

The following “**FOR YOUR SAFETY**” caution **must be** posted near the dryer in a prominent location.

FOR YOUR SAFETY

Do not store or use gasoline or other flammable vapors or liquids in the vicinity of this or any other appliance.

POUR VOTRE SÉCURITÉ

Ne pas entreposer ni utiliser d'essence ni d'autres vapeurs ou liquides inflammables dans le voisinage de cet appareil ou de tout autre appareil.

We have tried to make this manual as complete as possible and hope you will find it useful. **ADC** reserves the right to make changes from time to time, without notice or obligation, in prices, specifications, colors, and material, and to change or discontinue models.

Important

For your convenience, log the following information:

DATE OF PURCHASE _____ **MODEL NO.** AD-310 Tilt

DISTRIBUTORS NAME _____

Serial Number(s) _____

Replacement parts can be obtained from your distributor or the **ADC** factory. When ordering replacement parts from the factory, you can FAX your order to **ADC** at (508) 678-9447 or telephone your orders directly to the **ADC** Parts Department at (508) 678-9000. Please specify the dryer **model number** and **serial number** in addition to the **description** and **part number**, so that your order is processed accurately and promptly.

The illustrations on the following pages may not depict your particular dryer exactly. The illustrations are a composite of the various dryer models. Be sure to check the descriptions of the parts thoroughly before ordering.

“IMPORTANT NOTE TO PURCHASER”

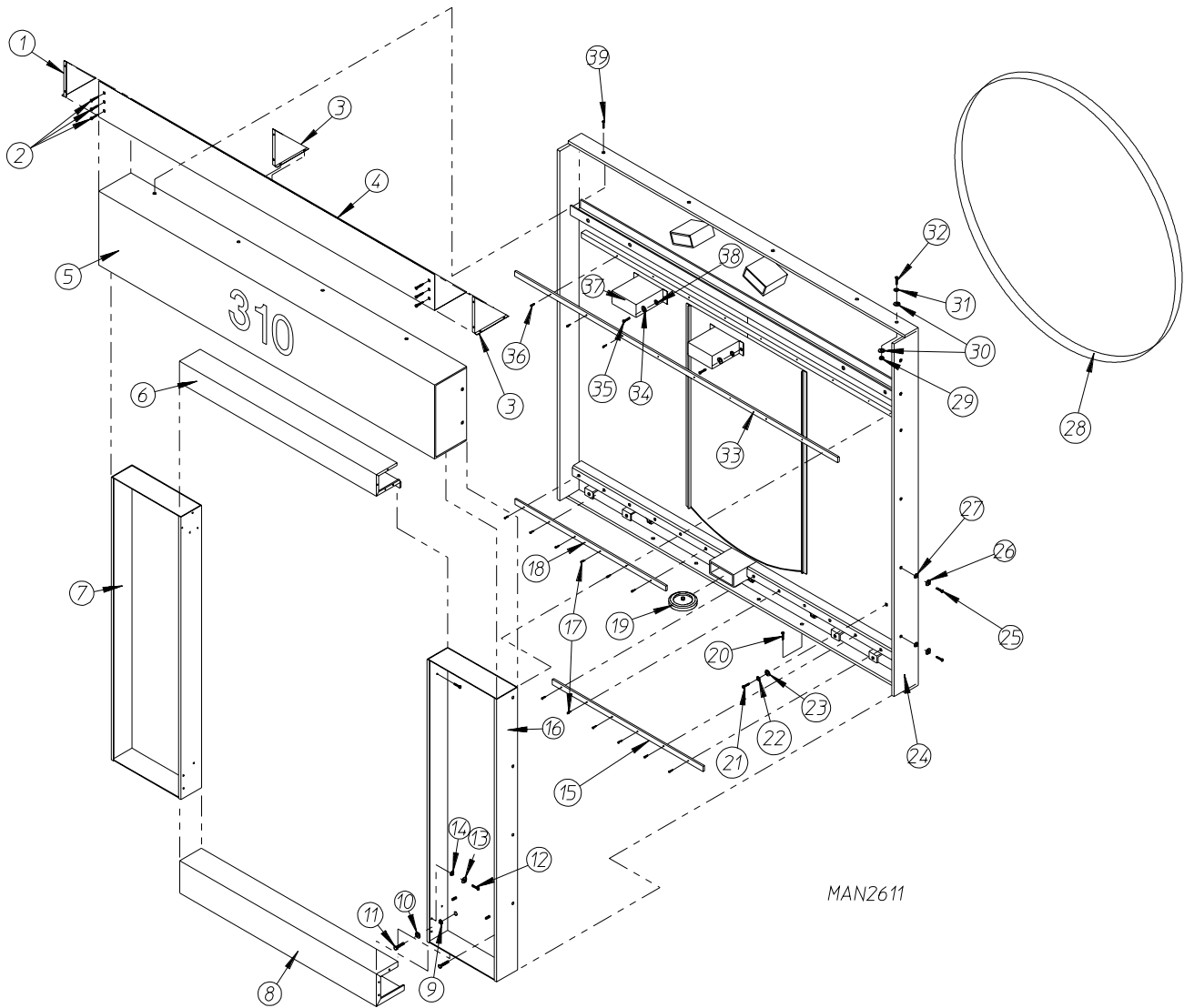
Information must be obtained from your local gas supplier on the instructions to be followed if the user smells gas. These instructions must be posted in a prominent location near the dryer.

Table of Contents

Front Panel Assembly	
<i>Automatic Door</i>	4, 5
Front Panel Assembly	
<i>Manual Door</i>	6, 7
Rear Panel Assembly	
<i>1 Door/Forward Tilt</i>	8
Rear Panel Assembly	
<i>1 Door/2-Way Tilt</i>	9
Rear Panel Assembly	
<i>2 Automatic Doors</i>	10, 11
Rear Panel Assembly	
<i>2 Manual Doors</i>	12, 13
Left Manual Load Door Assembly	
for models mfd. as of November 1, 1995	14
Right Manual Load Door Assembly	
for models mfd. as of November 1, 1995	15
Left Manual Load Door Assembly	
for models mfd. prior to November 1, 1995	16
Right Manual Load Door Assembly	
for models mfd. prior to November 1, 1995	17
Left Automatic Load Door Assembly	18, 19
Right Automatic Load Door Assembly	20, 21
End of Cycle Light Assembly	22
Automatic Door Pneumatic Assembly	23
Magnetic Door Switch Assembly	24
Left Control Door Assembly	
<i>1 Door or 2 Door Models</i>	25
Right Front Control Door Assembly	26, 27, 28
Selector Switch, Nameplate, and Base Chart	29
Right Rear Control Door Assembly	
<i>2 Door Models</i>	30, 31
Side Panel Assemblies	32, 33
Left Hand Electrical Control Panel Assembly	
for models mfd. with Thermal-Magnetic Protection ONLY	34, 35
Left Hand Electrical Control Panel Assembly	
for models mfd. with Fuse Protection ONLY	36, 37
Top of Right Hand Electrical Panel	
for models mfd. as of November 17, 1997	38, 39
Top of Right Hand Electrical Panel	
for models mfd. prior to November 17, 1997	40, 41
Bottom of Right Hand Electrical Panel	42, 43

Base Main Electrical Junction Box Assembly	
for models mfd. with Thermal-Magnetic Protection ONLY	44, 45
Tumbler (Basket)/Idler Shaft Assemblies	
for models mfd. as of April 20, 1999	46
Tumbler (Basket/Idler Shaft Assemblies	
for models mfd. prior to April 20, 1999	47
Tumbler (Basket) Retaining Wheel Assembly	48
Lint Drawer Assembly	49
Temperature Sensor Bracket Assembly	50
Rotational Sensor Assembly	51
Tumbler Drive Shaft Assembly	
for models mfd. as of April 20, 1999	52, 53
Tumbler Drive Shaft Assembly	
for models mfd. prior to April 20, 1999	54, 55
Tilt Switch Assembly	56
Tilt Piston Assembly	57
Post Assembly	58
Drive Motor Assembly	59
Fan Motor Assembly	
for Gas Models ONLY	60, 61
Fan Motor Assembly	
for Steam Models ONLY	62, 63
Front Gas Burner Assembly	64, 65
Rear Gas Burner Assembly	66, 67
Sail Switch Assembly	68
DSI Module Assembly	
for Gas Models ONLY	69
Gas Piping Assembly	
for models mfd. as of August 15, 1995	70, 71, 72
Gas Piping Assembly	
for models mfd. prior to August 15, 1995	73, 74, 75
Steam Coil Assembly	76, 77
Steam Piping Assembly	78, 79, 80
Pneumatic Assembly	
for models mfd. with Sprinkler Option	81
Pneumatic Assembly	
1 Automatic Door	82
Pneumatic Assembly	
2 Automatic Doors	83

Pneumatic Panel Assembly	
<i>1-Way Tilt</i>	
for models mfd. as of December 8, 1998	84, 85
Pneumatic Panel Assembly	
<i>1-Way Tilt</i>	
for models mfd. prior to December 8, 1998	86, 87
Pneumatic Panel Assembly	
<i>2-Way Tilt</i>	
for models mfd. as of February 8, 1999	88, 89
Pneumatic Panel Assembly	
<i>2-Way Tilt</i>	
for models mfd. prior to February 8, 1999	90, 91
Sprinkler Control Panel Assembly	92, 93
Optional Sprinkler Assembly	94, 95, 96
Sprinkler Temperature Probe Junction Box Assembly	97
Base Panel Assemblies	98, 99
Guard Assemblies	
<i>2-Way Tilt</i>	100, 101
Guard Panel Assemblies	
<i>1-Way Tilt</i>	102
Air Jet Assembly	103

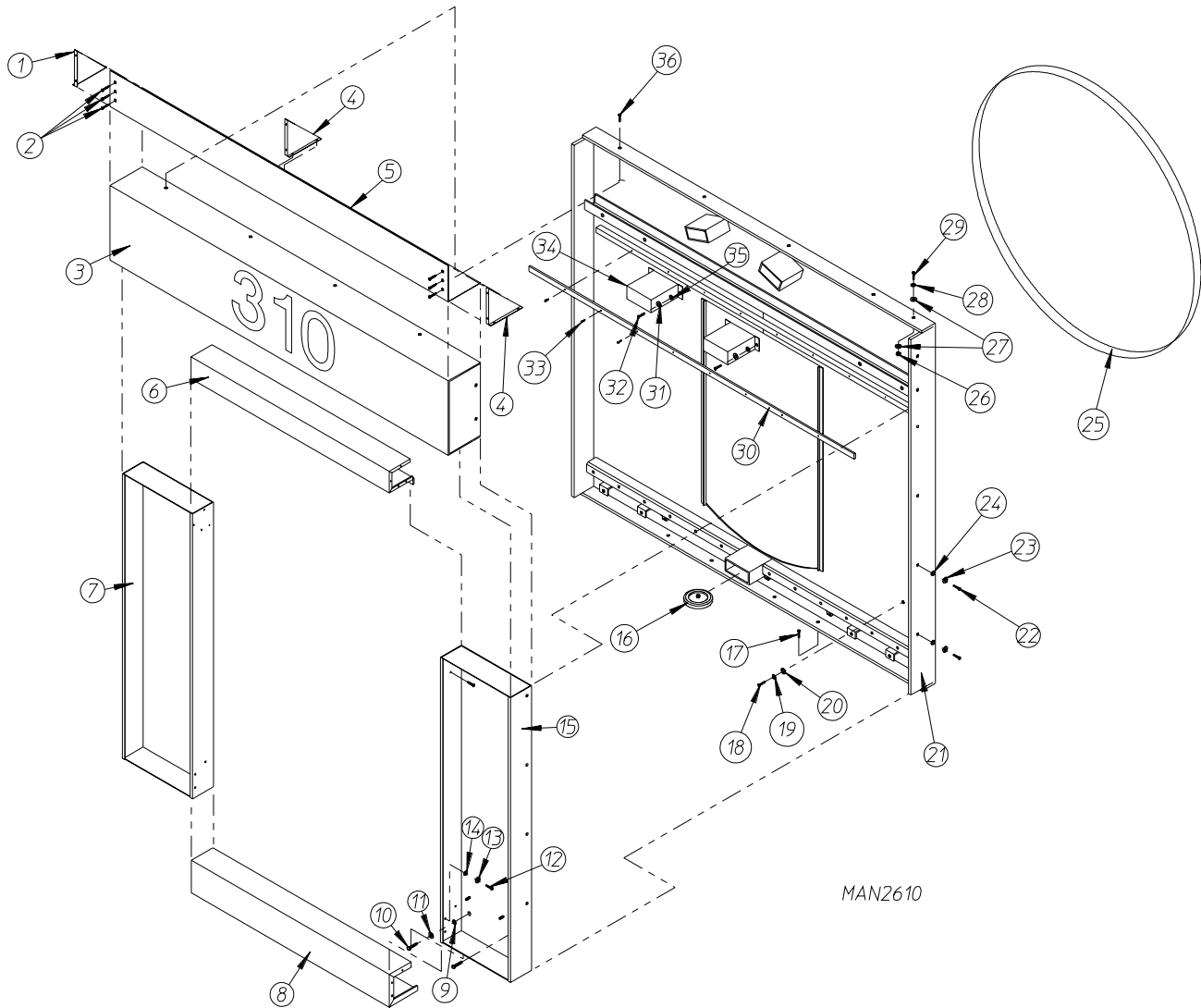


<u>Illus. No.</u>	<u>Part No.</u>	<u>Qty.</u>	<u>Description</u>
1*	332680	1	Left Gusset (for Gas Models Only)
2	150522	15	1/4-20 x 1/2" Hex Washer Head Machine Screw (for Gas Models Only)
3*	332681	2	Right Gusset (for Gas Models Only)
4*	332679	1	Top Front Panel (for Gas Models Only)
5*	826033	1	Upper Guard

AUTOMATIC DOOR

<u>Illus. No.</u>	<u>Part No.</u>	<u>Qty.</u>	<u>Description</u>
6*	821239	1	Middle Guard
7*	881117	1	Left Control Cabinet
8*	821285	1	Bottom Guard
9	153001	8	5/16" Flat Washer
10	153002	8	5/16" Lock Washer
11	150501	8	5/16-18 x 3/4" Hex Head Machine Bolt
12	150510	12	1/4-20 x 3/4" Hex Head Machine Bolt
13	153007	12	1/4" Lock Washer
14	153018	12	1/4" Flat Washer
15	170364	1	Bottom Door Track
16*	881116	1	Right Control Cabinet
17	154312	14	#10-32 x 3/4" Socket Head Cap Screw
18	170364	1	Bottom Door Track
19	-----	-	Tumbler (Basket) Retaining Wheel (refer to Tumbler (Basket) Retaining Wheel Assembly on page 48)
20	150523	5	1/4-20 x 3/4" Hex Head Machine Bolt
21	150617	8	3/8-16 x 1" Hex Head Bolt
22	153005	8	3/8" Lock Washer
23	153004	8	3/8" Flat Washer
24*	881109	1	Front Panel Assembly
25	150501	12	5/16-18 x 3/4" Hex Head Machine Bolt
26	153002	12	5/16" Lock Washer
27	153001	12	5/16" Flat Washer
28	115998	180	Felt (sold by the inch)
29	152011	4	1/2-13 Hex Nut
30	153050	8	1/2 x 1-1/16" Flat Washer
31	153026	4	1/2" Lock Washer
32	150605	4	1/2-13 x 1-1/2" Hex Head Bolt
33	170365	1	Upper Door Track
34	153007	12	1/4" Lock Washer
35	152002	12	1/4-20 Hex Nut
36	154312	15	#10-32 x 3/4" Socket Head Cap Screw
37*	821244	2	Tumbler (Basket) Retaining Wheel Cover
38	153018	12	1/4" Flat Washer
39	150523	5	1/4-20 x 3/4" Hex Washer Machine Bolt

* Specify color when ordering.

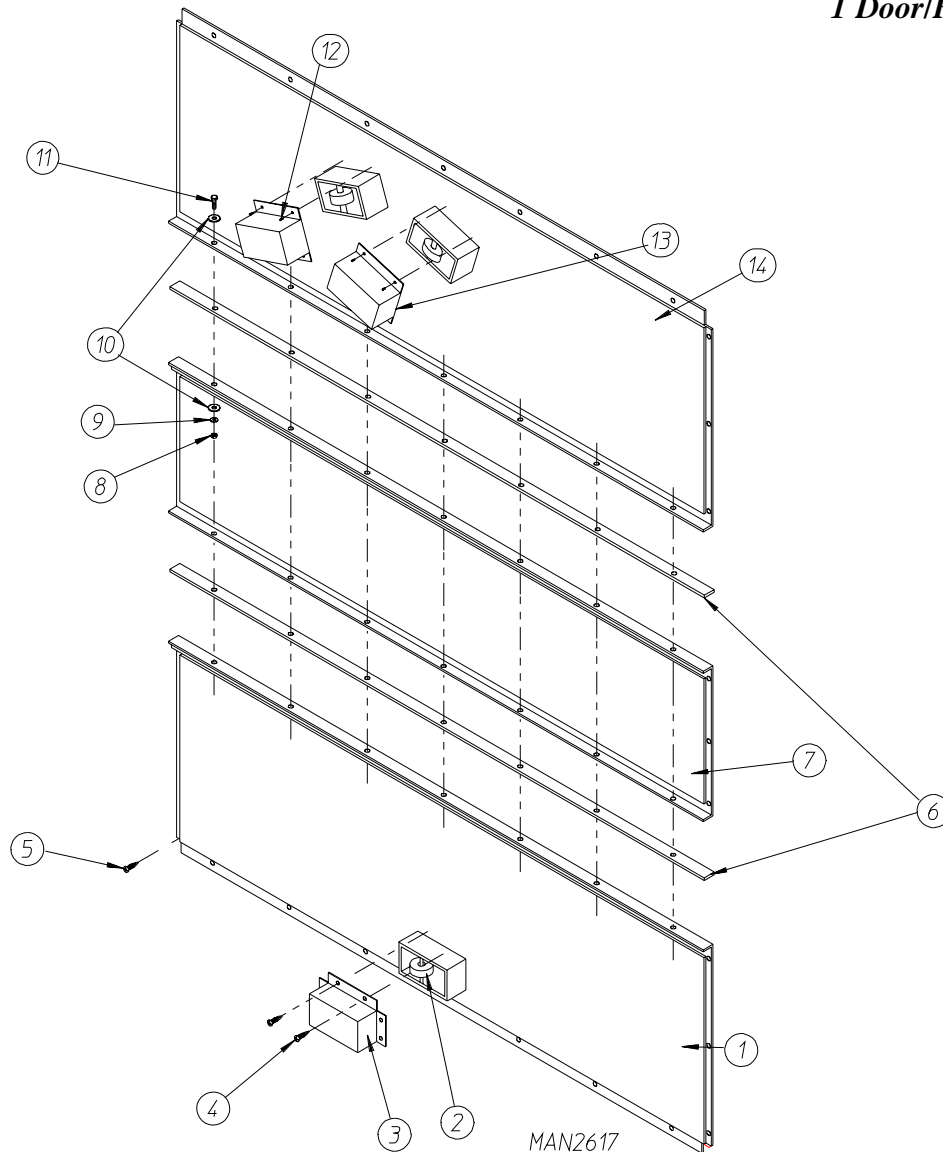


<u>Illus. No.</u>	<u>Part No.</u>	<u>Qty.</u>	<u>Description</u>
1*	332680	1	Left Gusset (for Gas Models Only)
2	150522	15	1/4-20 x 1/2" Hex Washer Head Machine Screw (for Gas Models Only)
3*	826033	1	Upper Guard
4*	332681	2	Right Gusset (for Gas Models Only)
5*	332679	1	Top Front Panel (for Gas Models Only)

MANUAL DOOR

<u>Illus. No.</u>	<u>Part No.</u>	<u>Qty.</u>	<u>Description</u>
6*	821239	1	Middle Guard
7*	881117	1	Left Control Cabinet
8*	821285	1	Bottom Guard
9	153001	8	5/16" Flat Washer
10	150501	8	5/16-18 x 3/4" Hex Head Machine Bolt
11	153002	8	5/16" Lock Washer
12	150510	12	1/4-20 x 3/4" Hex Head Machine Bolt
13	153007	12	1/4" Lock Washer
14	153018	12	1/4" Flat Washer
15*	881116	1	Right Control Cabinet
16	-----	-	Tumbler (Basket) Retaining Wheel (refer to Tumbler (Basket) Retaining Wheel Assembly on page 48)
17	150523	5	1/4-20 x 3/4" Hex Washer Machine Bolt
18	150617	8	3/8-16 x 1" Hex Head Bolt
19	153005	8	3/8" Lock Washer
20	153004	8	3/8" Flat Washer
21*	881108	1	Front Panel
22	150501	12	5/16-18 x 3/4" Hex Head Machine Bolt
23	153002	12	5/16" Lock Washer
24	153001	12	5/16" Flat Washer
25	115998	180	Felt (sold by the inch)
26	152011	4	1/2-13 Hex Nut
27	153050	8	1/2 x 1-1/16" Flat Washer
28	153026	4	1/2" Lock Washer
29	150605	4	1/2-13 x 1-1/2" Hex Head Bolt
30	170365	1	Upper Door Track
31	153007	12	1/4" Lock Washer
32	152002	12	1/4-20 Hex Nut
33	154312	15	#10-32 x 3/4" Socket Head Cap Screw
34*	821244	2	Tumbler (Basket) Retaining Wheel Cover
35	153018	12	1/4" Flat Washer
36	150523	5	1/4-20 x 3/4" Hex Head Machine Bolt

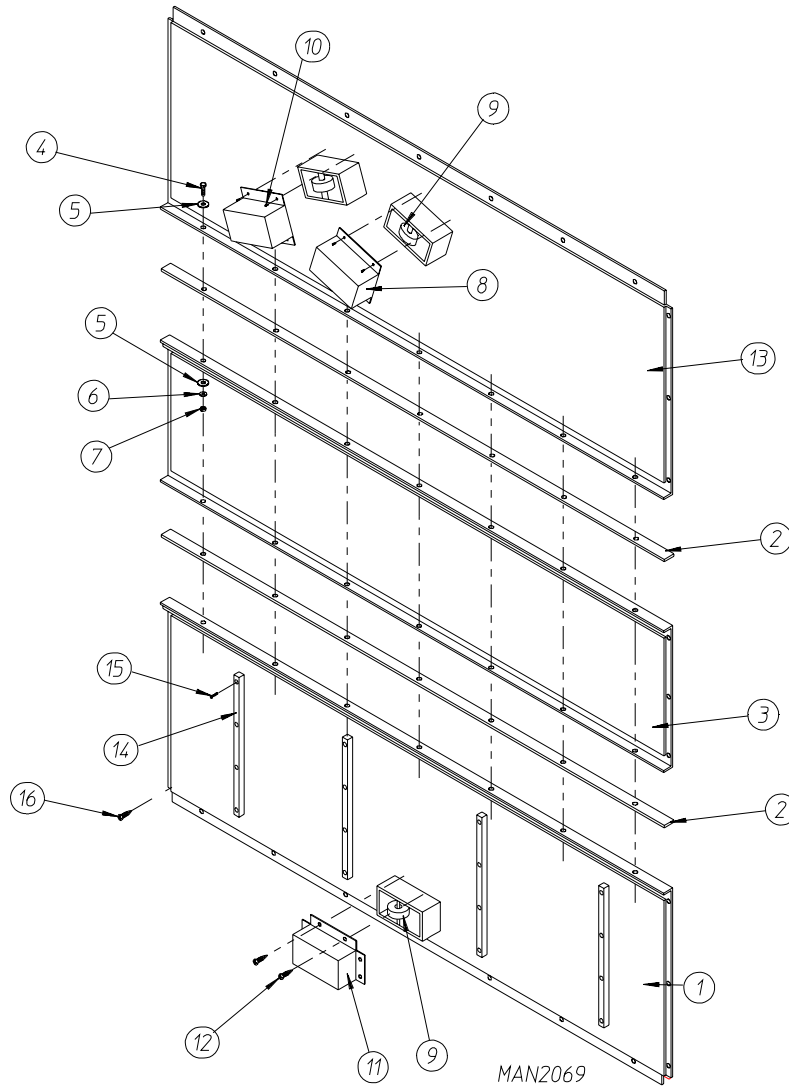
* Specify color when ordering.



Illus. No.	Part No.	Qty.	Description
1*	821310	1	Bottom Panel Assembly
2	-----	-	Tumbler (Basket) Retaining Wheel (refer to Tumbler (Basket) Retaining Wheel Assembly on page 48)
3*	332787	1	Tumbler (Basket) Retaining Wheel Guard
4	150301	6	#8-18 x 7/16" Phillips Pan Head TEK Screw
5	150523	32	1/4-20 x 3/4" Hex Head Machine Bolt
6	332571	2	Rear Panel Reinforcement
7*	821312	1	Middle Back Panel Assembly
8	152004	14	5/16-18 Hex Nut
9	153002	14	5/16" Lock Washer
10	153001	28	5/16" Flat Washer
11	150625	14	5/16-18 x 1-1/4" Hex Head Bolt
12*	150301	8	#8-18 x 7/16" Phillips Pan Head TEK Screw
13*	821244	2	Tumbler Retaining Wheel Cover
14*	881118	1	Top Back Panel Assembly

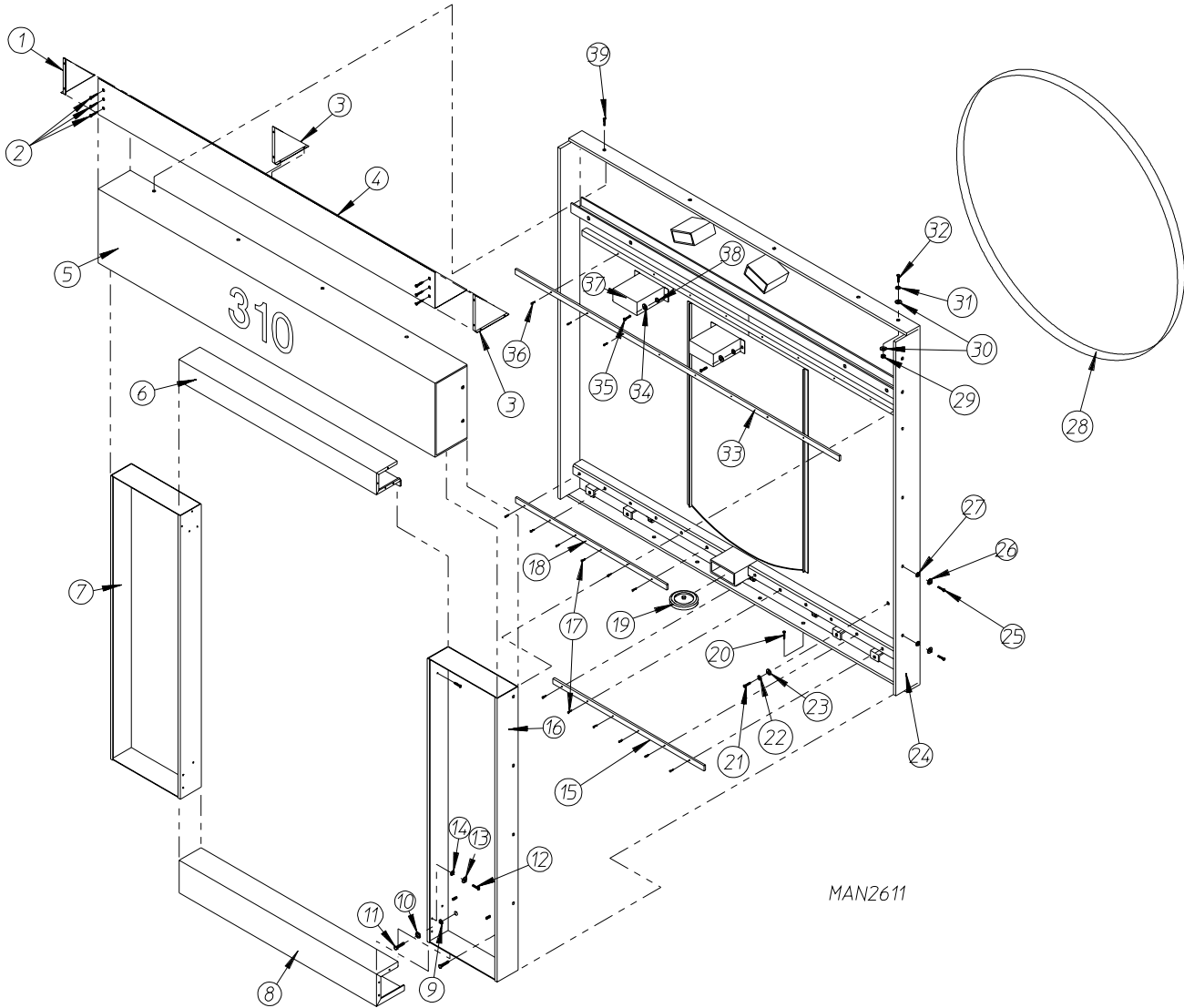
* Specify color when ordering.

1 Door/2-Way Tilt



Illus. No.	Part No.	Qty.	Description
1*	821310	1	Back Panel Assembly
2	332571	2	Rear Panel Reinforcement
3*	821312	1	Middle Back Panel Assembly
4	150625	14	5/16-18 x 1-1/4" Hex Head Bolt
5	153001	28	5/16" Flat Washer
6	153002	14	5/16" Lock Washer
7	152004	14	5/16-18 Hex Nut
8*	821244	2	Tumbler (Basket) Retaining Wheel Cover
19	-----	-	Tumbler (Basket) Retaining Wheel (refer to Tumbler (Basket) Retaining Wheel Assembly on page 48)
10*	150301	8	#8-18 x 7/16" Phillips Pan Head TEK Screw
11*	332787	1	Tumbler (Basket) Retaining Wheel Guard
12	150301	6	#8-18 x 7/16" Phillips Pan Head TEK Screw
13*	881118	1	Top Back Panel Assembly
14	170346	4	Nylon Glide
15	150309	16	#10-16 x 1/2" Hex Head TEK Crimptite Screw
16	150523	32	1/4-20 x 3/4" Hex Head Machine Bolt

* Specify color when ordering.

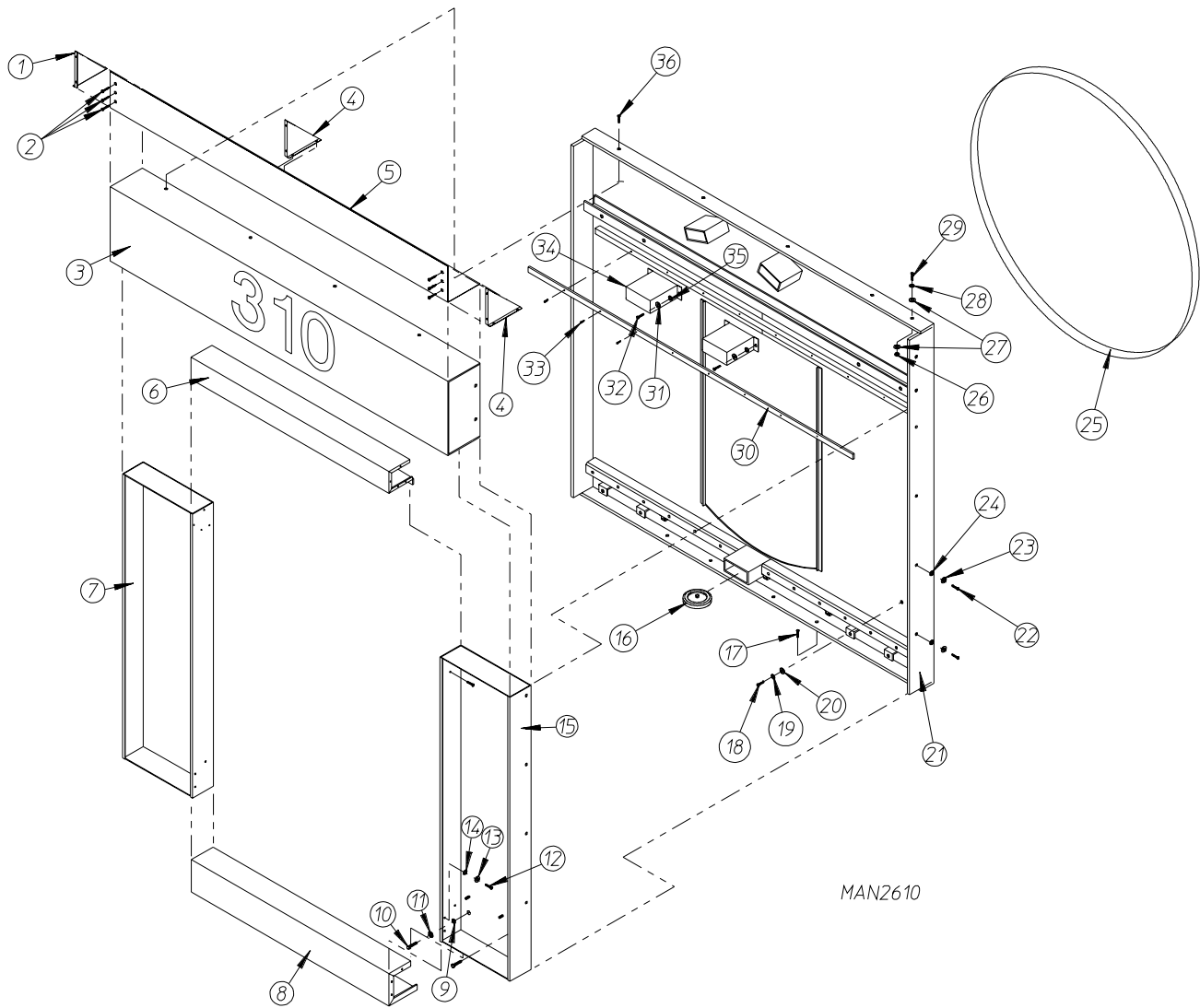


<u>Illus. No.</u>	<u>Part No.</u>	<u>Qty.</u>	<u>Description</u>
1*	332680	1	Left Gusset (for Gas Models Only)
2	150522	15	1/4-20 x 1/2" Hex Washer Head Machine Screw (for Gas Models Only)
3*	332681	2	Right Gusset (for Gas Models Only)
4*	332679	1	Top Front Panel (for Gas Models Only)
5*	826033	1	Upper Guard

2 AUTOMATIC DOORS

<u>Illus. No.</u>	<u>Part No.</u>	<u>Qty.</u>	<u>Description</u>
6*	821239	1	Middle Guard
7*	881117	1	Left Control Cabinet
8*	821285	1	Bottom Guard
9	153001	8	5/16" Flat Washer
10	153002	8	5/16" Lock Washer
11	150501	8	5/16-18 x 3/4" Hex Head Machine Bolt
12	150510	12	1/4-20 x 3/4" Hex Head Machine Bolt
13	153007	12	1/4" Lock Washer
14	153018	12	1/4" Flat Washer
15	170364	1	Bottom Door Track
16*	881116	1	Right Control Cabinet
17	154312	14	#10-32 x 3/4" Socket Head Cap Screw
18	170364	1	Bottom Door Track
19	-----	-	Tumbler (Basket) Retaining Wheel (refer to Tumbler (Basket) Retaining Wheel Assembly on page 48)
20	150523	5	1/4-20 x 3/4" Hex Head Machine Bolt
21	150617	8	3/8-16 x 1" Hex Head Bolt
22	153005	8	3/8" Lock Washer
23	153004	8	3/8" Flat Washer
24*	881109	1	Front Panel
25	150501	12	5/16-18 x 3/4" Hex Head Machine Bolt
26	153002	12	5/16" Lock Washer
27	153001	12	5/16" Flat Washer
28	115998	180	Felt (sold by the inch)
29	152011	4	1/2-13 Hex Nut
30	153050	8	1/2 x 1-1/16" Flat Washer
31	153026	4	1/2" Lock Washer
32	150605	4	1/2-13 x 1-1/2" Hex Head Bolt
33	170365	1	Upper Door Track
34	153007	12	1/4" Lock Washer
35	152002	12	1/4-20 Hex Nut
36	154312	15	#10-32 x 3/4" Socket Head Cap Screw
37*	821244	2	Tumbler (Basket) Retaining Wheel Cover
38	153018	12	1/4" Flat Washer
39	150523	5	1/4-20 x 3/4" Hex Washer Machine Bolt

* Specify color when ordering.



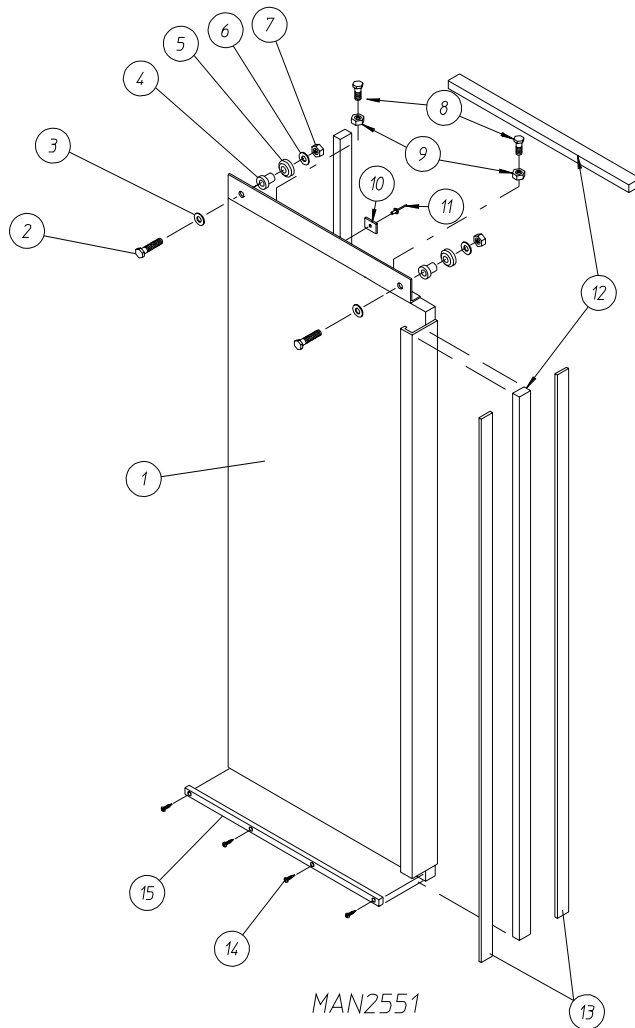
<u>Illus. No.</u>	<u>Part No.</u>	<u>Qty.</u>	<u>Description</u>
1*	332680	1	Left Gusset (for Gas Models Only)
2	150522	15	1/4-20 x 1/2" Hex Washer Head Machine Screw (for Gas Models Only)
3*	826033	1	Upper Guard
4*	332681	2	Right Gusset (for Gas Models Only)
5*	332679	1	Top Front Panel (for Gas Models Only)

2 MANUAL DOORS

<u>Illus. No.</u>	<u>Part No.</u>	<u>Qty.</u>	<u>Description</u>
6*	821239	1	Middle Guard
7*	881117	1	Left Control Cabinet
8*	821285	1	Bottom Guard
9	153001	8	5/16" Flat Washer
10	150501	8	5/16-18 x 3/4" Hex Head Machine Bolt
11	153002	8	5/16" Lock Washer
12	150510	12	1/4-20 x 3/4" Hex Head Machine Bolt
13	153007	12	1/4" Lock Washer
14	153018	12	1/4" Flat Washer
15*	881116	1	Right Control Cabinet
16	-----	-	Tumbler (Basket) Retaining Wheel (refer to Tumbler (Basket) Retaining Wheel Assembly on page 48)
17	150523	5	1/4-20 x 3/4" Hex Washer Machine Bolt
18	150617	8	3/8-16 x 1" Hex Head Bolt
19	153005	8	3/8" Lock Washer
20	153004	8	3/8" Flat Washer
21*	881108	1	Front Panel
22	150501	12	5/16-18 x 3/4" Hex Head Machine Bolt
23	153002	12	5/16" Lock Washer
24	153001	12	5/16" Flat Washer
25	115998	180	Felt (sold by the inch)
26	152011	4	1/2-13 Hex Nut
27	153050	8	1/2 x 1-1/16" Flat Washer
28	153026	4	1/2" Lock Washer
29	150605	4	1/2-13 x 1-1/2" Hex Head Bolt
30	170365	1	Upper Door Track
31	153007	12	1/4" Lock Washer
32	152002	12	1/4-20 Hex Nut
33	154312	15	#10-32 x 3/4" Socket Head Cap Screw
34*	821244	2	Tumbler (Basket) Retaining Wheel Cover
35	153018	12	1/4" Flat Washer
36	150523	5	1/4-20 x 3/4" Hex Head Machine Bolt

* Specify color when ordering.

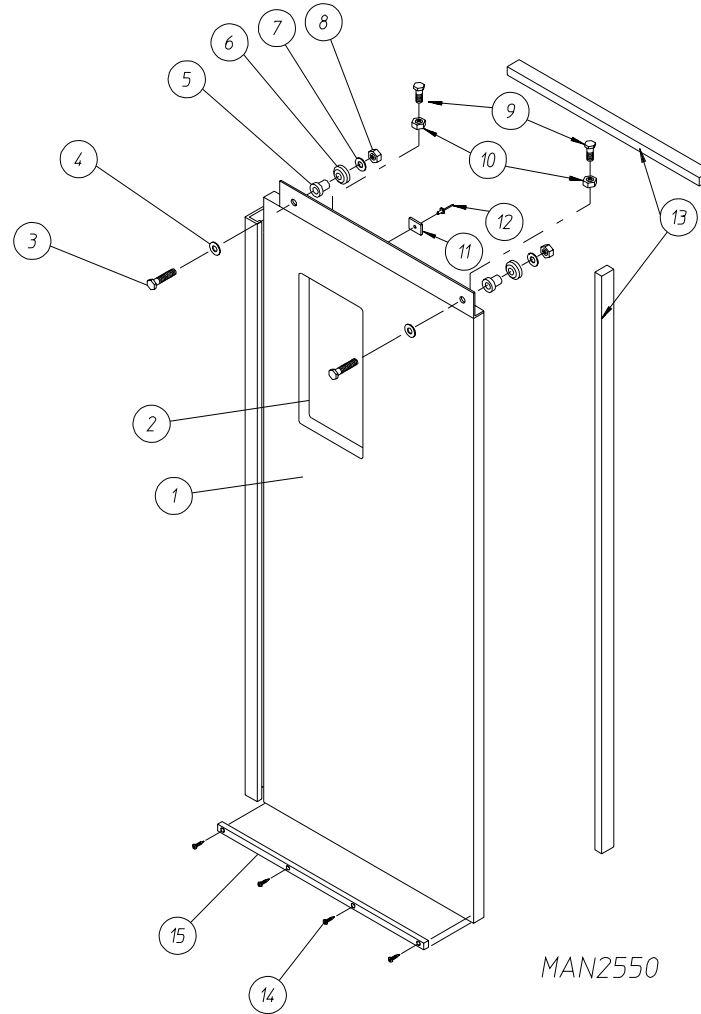
for models mfd. as of November 1, 1995



<u>Illus. No.</u>	<u>Part No.</u>	<u>Qty.</u>	<u>Description</u>
1*	821728	1	Left Manual Load Door Assembly Complete (includes illus. nos. 1 through 15)
2	150112	2	1/4-20 x 1-1/4" Hex Head Machine Screw
3	153018	2	1/4" Flat Washer
4	170367	2	Stainless Steel Stationary Bushing
5	170366	2	Stainless Steel Sealed Wheel
6	153007	2	1/4" Lock Washer
7	152002	2	1/4-20 Hex Nut
8	150512	2	1/4-20 x 1/2" Hex Head Machine Bolt
9	152002	2	1/4-20 Hex Nut
10	102102	1	Magnet
11	154200	1	5/32" Pop Rivet
12	115995	125	Felt Gasket (sold by the inch)
13	102111	2	Door Magnet
14	150301	4	#8-18 x 7/16" Phillips Pan Head TEK Screw
15	170357	1	Door Slide

* Specify color when ordering.

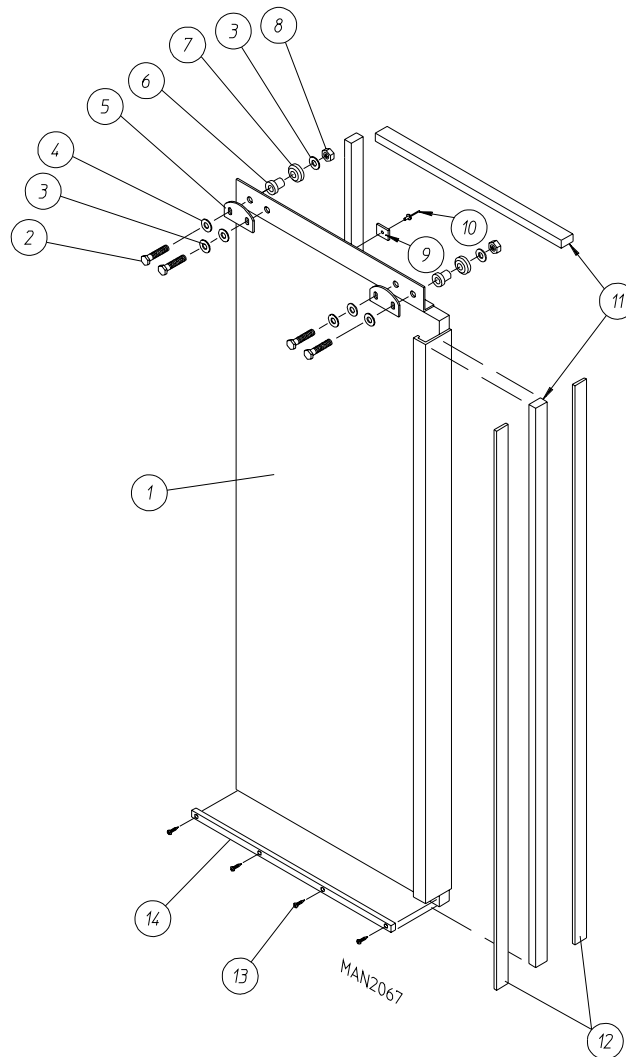
for models mfd. as of November 1, 1995



<u>Illus. No.</u>	<u>Part No.</u>	<u>Qty.</u>	<u>Description</u>
1*	821727	1	Right Manual Load Door Assembly Complete (includes illus. nos. 1 through 15)
2	102215	1	Door Glass
	170730	1	Door Glass Adhesive (10.3 oz. cartridge)
3	150112	2	1/4-20 x 1-1/4" Hex Head Machine Screw
4	153018	2	1/4" Flat Washer
5	170367	2	Stainless Steel Stationary Bushing
6	170366	2	Stainless Steel Sealed Wheel
7	153007	2	1/4" Lock Washer
8	152002	2	1/4-20 Hex Nut
9	150512	2	1/4-20 x 1/2" Hex Head Machine Bolt
10	152002	2	1/4-20 Hex Nut
11	102102	1	Magnet
12	154200	1	5/32" Pop Rivet
13	115995	80	Felt Gasket (sold by the inch)
14	150301	4	#8-18 x 7/16" Phillips Pan Head TEK Screw
15	170357	1	Lower Door Slide

* Specify color when ordering.

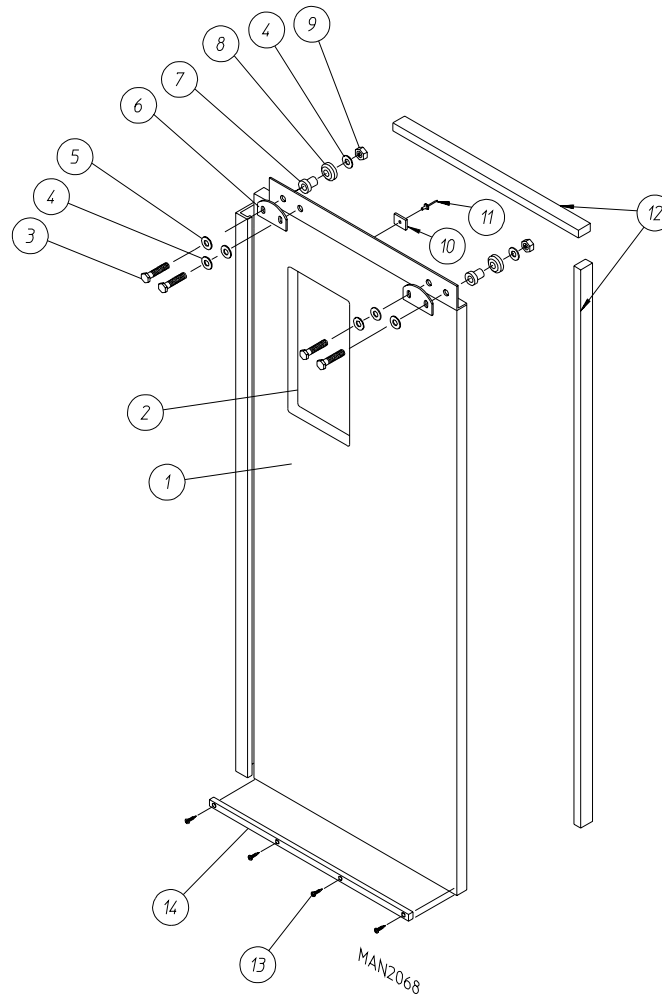
for models mfd. prior to November 1, 1995



<u>Illus. No.</u>	<u>Part No.</u>	<u>Qty.</u>	<u>Description</u>
1*	881110	1	Left Manual Load Door Assembly Complete (includes illus. nos. 1 through 14)
	881106	1	Left Manual Load Door ONLY
2	150112	4	1/4-20 x 1-1/4" Hex Head Machine Screw
3	153007	4	1/4" Lock Washer
4*	153018	4	1/4" Flat Washer
5	332996	2	Door Trolley Adjustment Plate
6	170367	2	Stainless Steel Stationary Bushing
7	170366	2	Stainless Steel Sealed Wheel
8	152002	2	1/4-20 Hex Nut
9	102102	1	Door Magnet
10	154200	1	5/32" Pop Rivet
11	115995	125	Felt Gasket (sold by the inch)
12	102111	2	Door Magnet
13	150301	4	#8-18 x 7/16" Phillips Pan Head TEK Screw
14	170357	1	Lower Door Slide

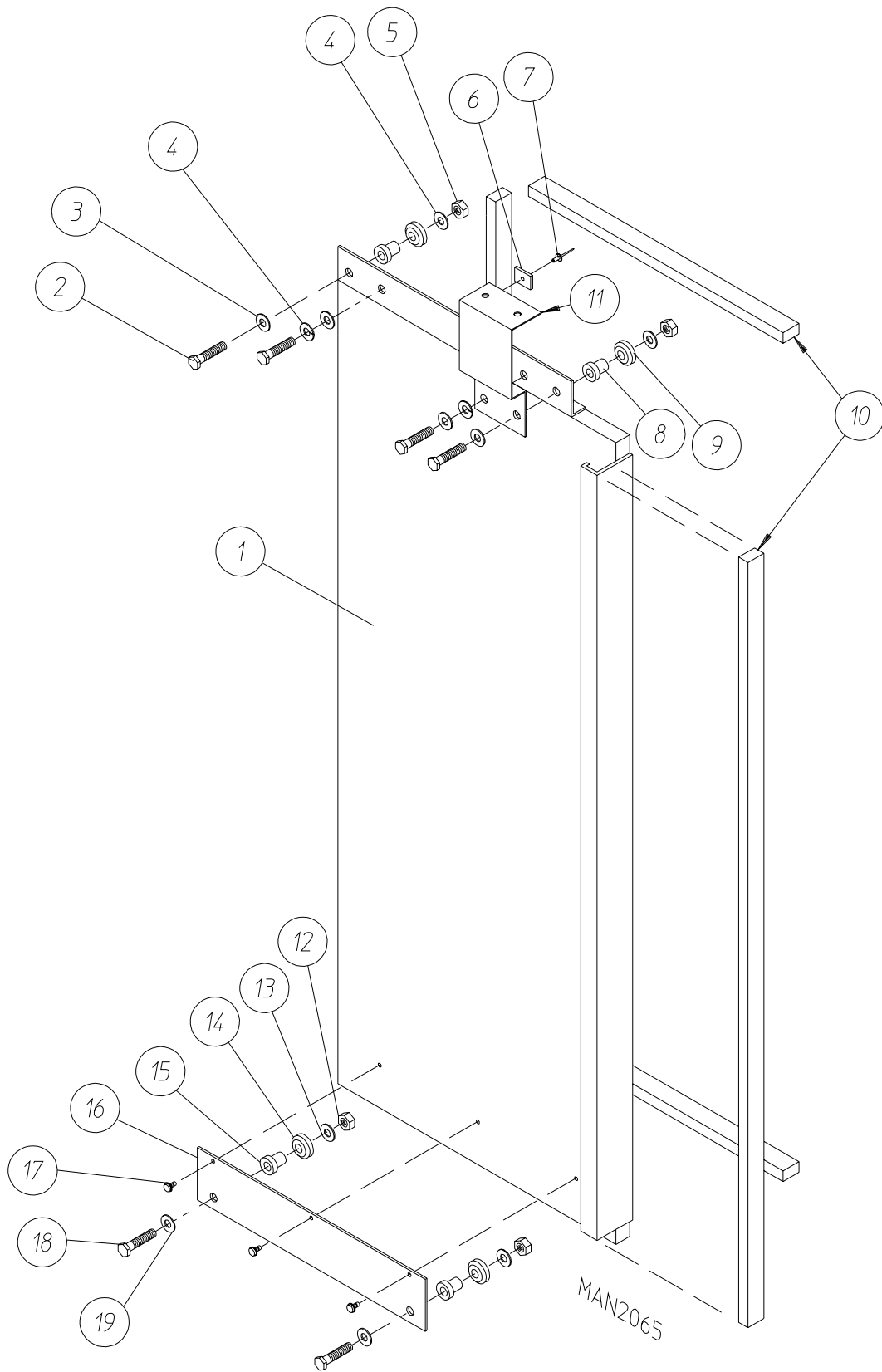
* Specify color when ordering.

for models mfd. prior to November 1, 1995



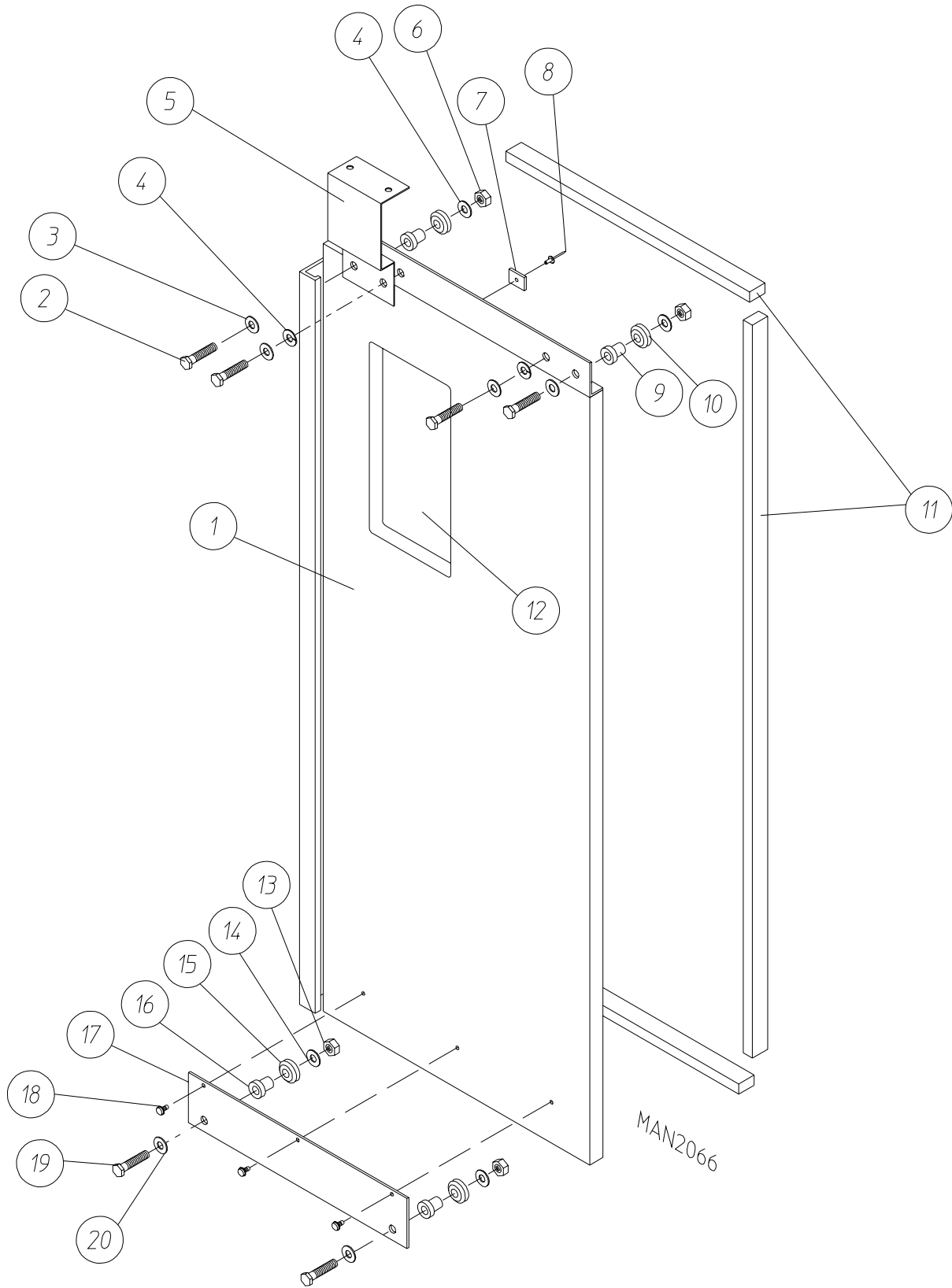
Illus. No.	Part No.	Qty.	Description
1*	881111	1	Right Manual Load Door Assembly Complete (includes illus. nos. 1 through 14)
	881107	1	Right Manual Load Door Only
2	102215	1	Door Glass
	170730	1	Door Glass Adhesive (10.3 oz. cartridge)
3	150112	4	1/4-20 x 1-1/4" Hex Head Machine Screw
4	153007	4	1/4" Lock Washer
5*	153018	4	1/4" Flat Washer
6	332996	2	Door Trolley Adjustment Plate
7	170367	2	Stainless Steel Stationary Bushing
8	170366	2	Stainless Steel Sealed Wheel
9	152002	2	1/4-20 Hex Nut
10	102102	1	Magnet
11	154200	1	5/32" Pop Rivet
12	115995	80	Felt Gasket (sold by the inch)
13	150301	4	#8-18 x 7/16" Phillips Pan Head TEK Screw
14	170357	1	Lower Door Slide

* Specify color when ordering.



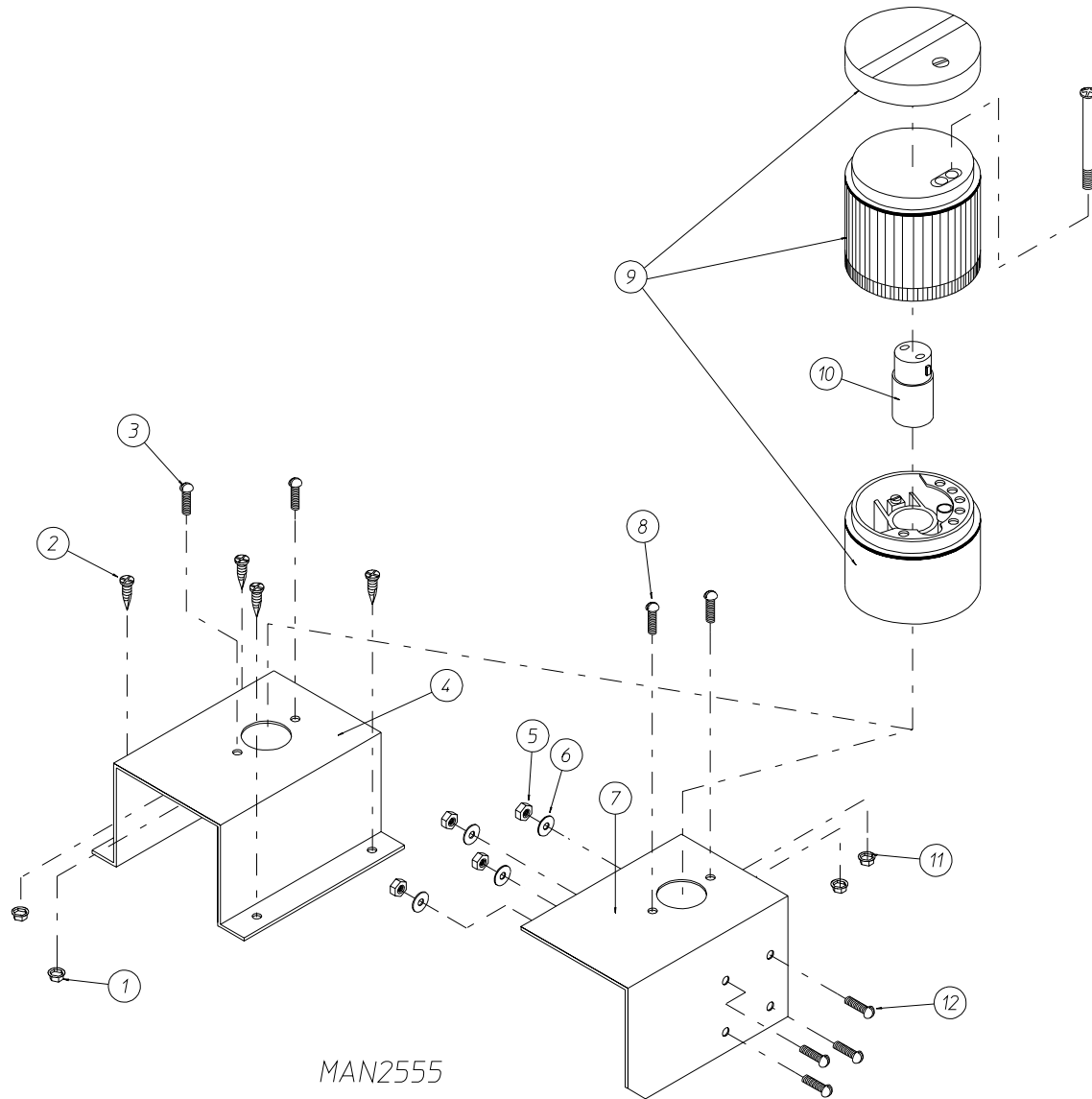
<u>Illus. No.</u>	<u>Part No.</u>	<u>Qty.</u>	<u>Description</u>
1*	881112	1	Left Automatic Load Door Assembly Complete (includes illus. nos. 1 through 11)
	881106	1	Left Automatic Load Door ONLY
2	150112	4	1/4-20 x 1-1/4" Hex Head Machine Screw
3	153018	4	1/4" Flat Washer
4	153007	4	1/4" Lock Washer
5	152002	2	1/4-20 Hex Nut
6	102102	1	Magnet
7	154200	1	5/32" Pop Rivet
8	170367	2	Stainless Steel Stationary Bushing
9	170366	2	Stainless Steel Sealed Wheel
10	115995	125	Felt Gasket (sold by the inch)
11*	334134	1	Automatic Door Bracket
12	152002	2	1/4-20 Hex Nut
13	153007	2	1/4" Lock Washer
14	170366	2	Stainless Steel Sealed Wheel
15	170367	2	Stainless Steel Stationary Bushing
16*	881133	1	Lower Trolley Assembly Complete (includes illus. nos. 12 through 16, 18, and 19)
	334123	1	Lower Trolley ONLY
17	150301	3	#8-18 x 7/16" Phillips Pan Head TEK Screw
18	150112	2	1/4-20 x 1-1/4" Hex Head Machine Screw
19	153018	2	1/4" Flat Washer

* Specify color when ordering.



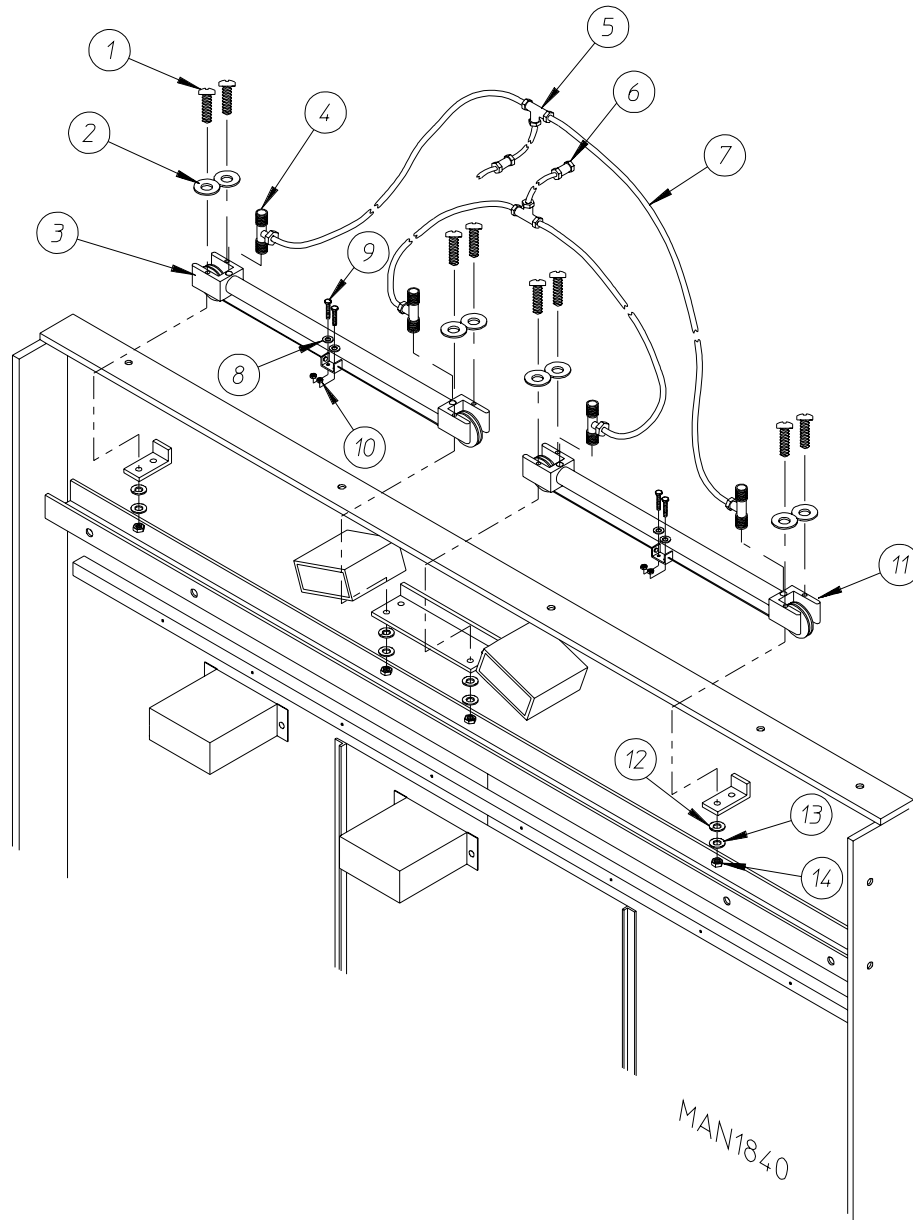
<u>Illus. No.</u>	<u>Part No.</u>	<u>Qty.</u>	<u>Description</u>
1*	881113	1	Right Automatic Load Door Assembly Complete (includes illus. nos. 1 through 12)
	881107	1	Right Automatic Load Door Only
2	150112	4	1/4-20 x 1-1/4" Hex Head Machine Screw
3	153018	4	1/4" Flat Washer
4	153007	4	1/4" Lock Washer
5*	334134	1	Automatic Door Bracket
6	152002	2	1/4-20 Hex Nut
7	102102	1	Magnet
8	154200	1	5/32" Pop Rivet
9	170367	2	Stainless Steel Stationary Bushing
10	170366	2	Stainless Steel Sealed Wheel
11	115995	80	Felt Gasket (sold by the inch)
12	102215	1	Door Glass
	170730	1	Door Glass Adhesive (10.3 oz. cartridge)
13	152002	2	1/4-20 Hex Nut
14	153007	2	1/4" Lock Washer
15	170366	2	Stainless Steel Sealed Wheel
16	170367	2	Stainless Steel Stationary Bushing
17*	881133	1	Lower Trolley Assembly Complete (includes illus. nos. 13 through 17, 19, and 20)
	334123	1	Lower Trolley ONLY
18	150301	3	#8-18 x 7/16" Phillips Pan Head TEK Screw
19	150112	2	1/4-20 x 1-1/4" Hex Head Machine Screw
20	153018	2	1/4" Flat Washer

* Specify color when ordering.

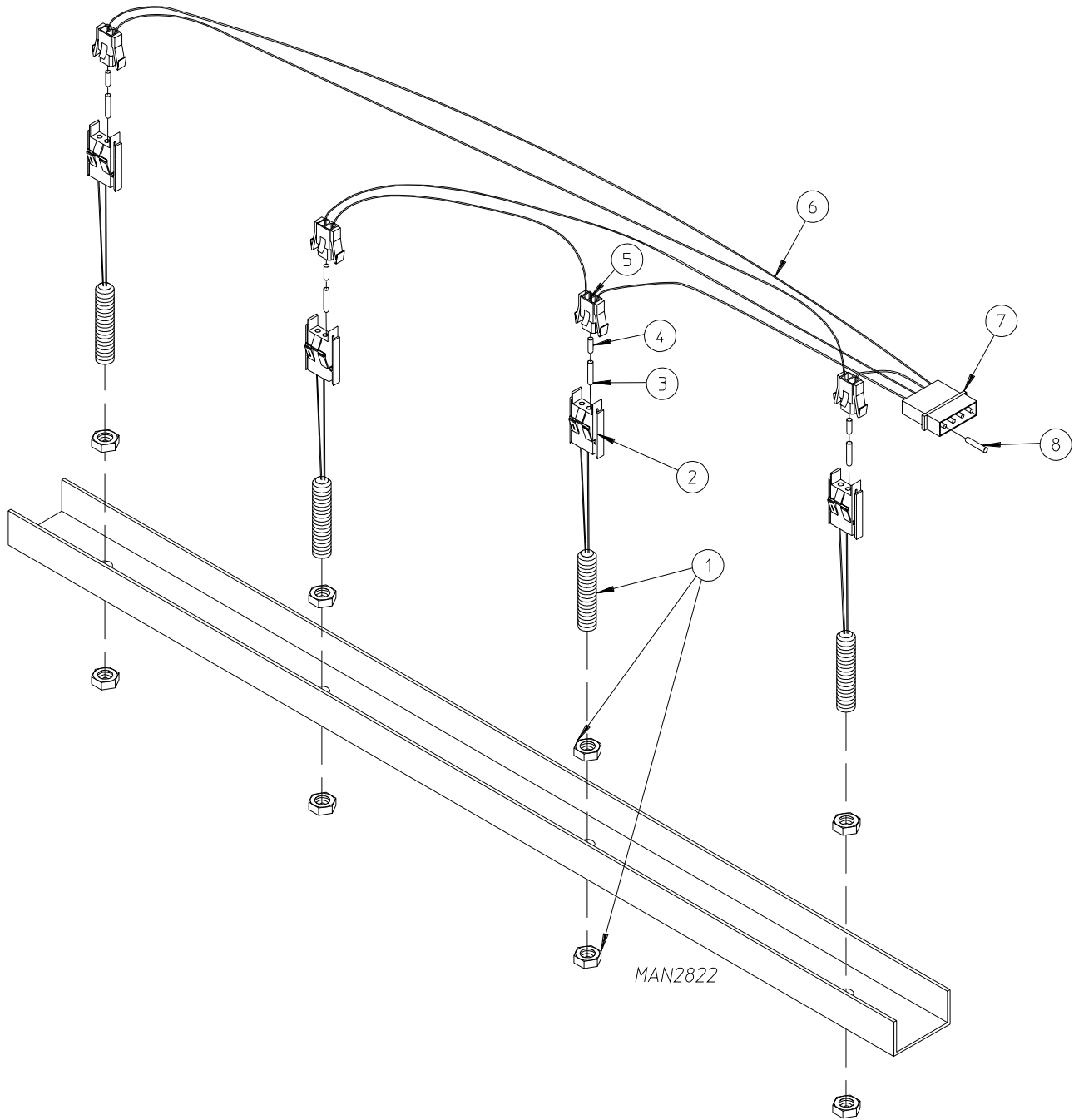


Illus. No.	Part No.	Qty.	Description
1	151001	2	#8-32 Pal Nut
2	150309	4	#10-16 x 1/2" Hex Head TEK Crimptite Screw
3	150108	2	#8-32 x 1/2" Phillips Head Machine Screw
4*	821480	1	Cycle Light Bracket (for Steam Models Only)
5	152001	4	#8-32 Hex Nut
6	153012	4	#8 Star Washer
7*	332850	1	Cycle Light Bracket (for Gas Models Only)
8	150108	2	#8-32 x 1/2" Phillips Pan Head Machine Screw
9	123222	1	"Orange" Cycle Light
10	123221	1	Bulb - 24 VAC
11	151001	2	#8-32 Pal Nut
12	150108	4	#8-32 x 1/2" Phillips Pan Head Machine Screw

* Specify color when ordering.

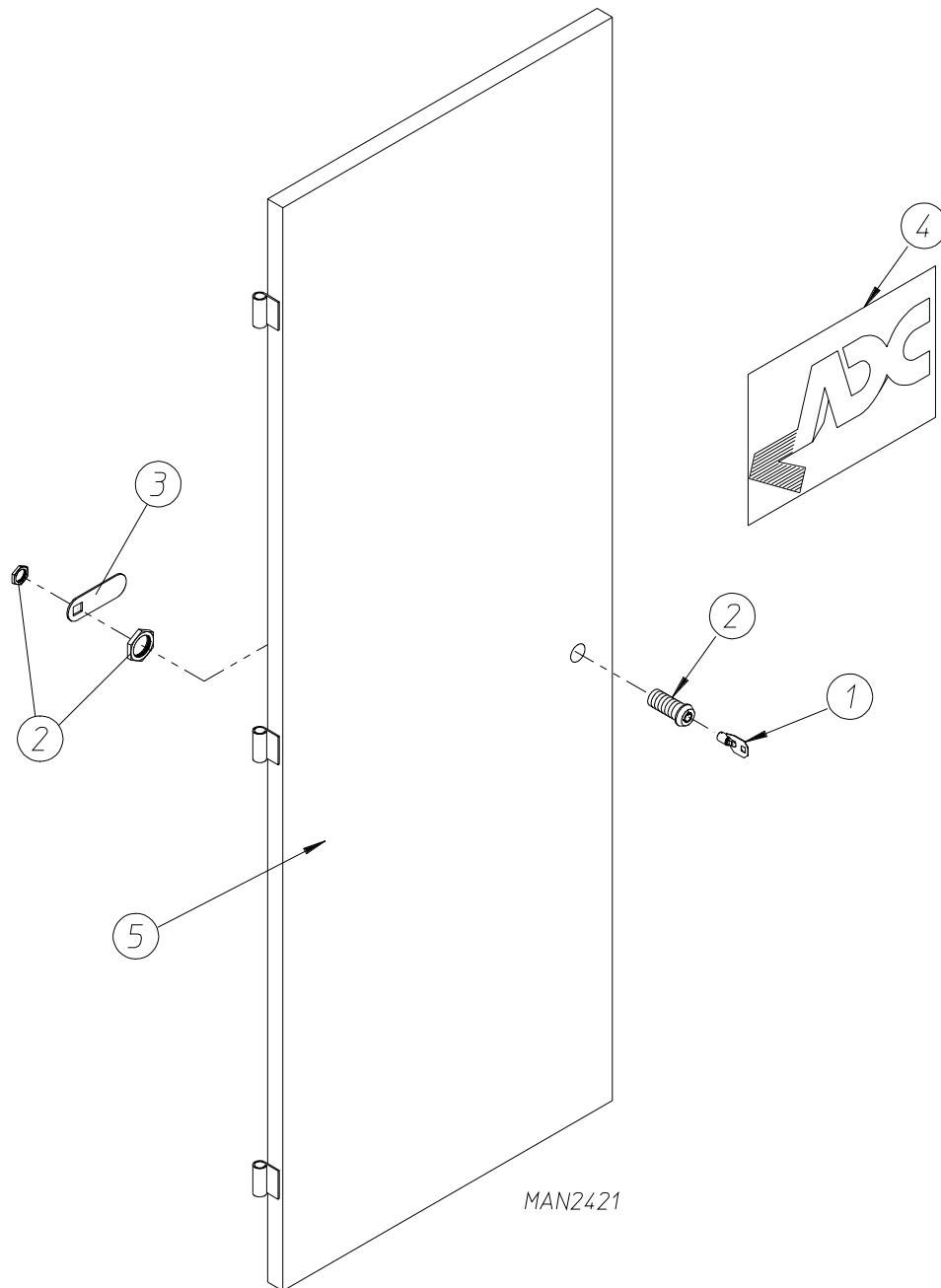


<u>Illus. No.</u>	<u>Part No.</u>	<u>Qty.</u>	<u>Description</u>
1	150308	8	#8-32 x 2-1/2" Phillips Pan Head Machine Screw
2	153000	8	#8 Flat Washer
3	100431	1	Cable Cylinder
4	128978	4	1/8" N.P.T. x 1/4" Tube Flow Control
5	143156	2	1/4" Poly Tee
6	143154	2	1/4" Brass Poly Connector
7	143110	38	1/4" Poly-Flo Tubing (sold by the foot)
8	153012	4	#8 Star Washer
9	150103	4	#8-32 x 3/4" Phillips Pan Head Machine Screw
10	152001	4	#8-32 Hex Nut
11	100431	1	Cable Cylinder
12	153000	8	#8 Flat Washer
13	153012	8	#8 Star Washer
14	152001	8	#8-32 Hex Nut



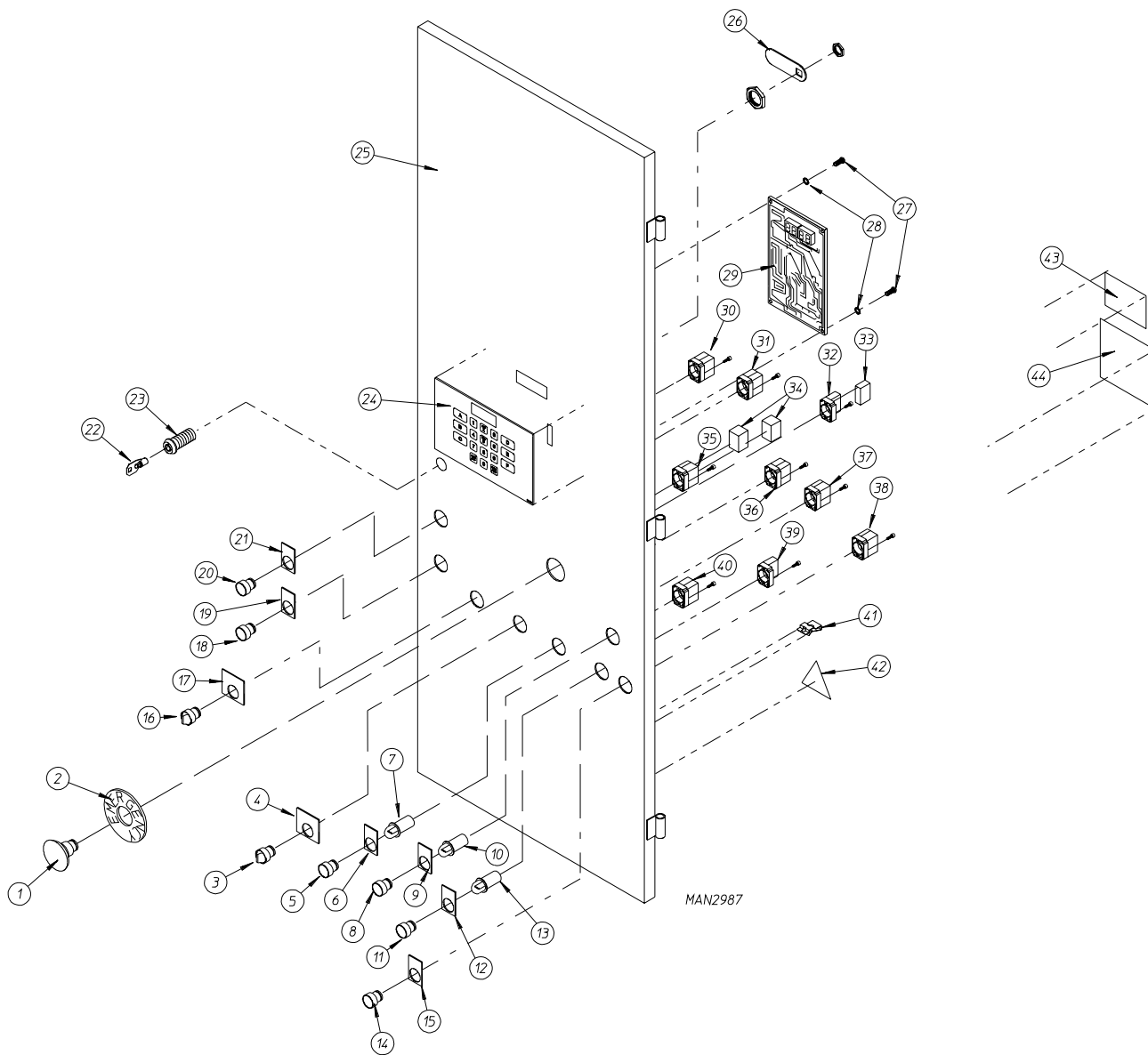
<u>Illus. No.</u>	<u>Part No.</u>	<u>Qty.</u>	<u>Description</u>
1	826514	4	Magnetic Door Switch Assembly (includes illus. nos. 1 through 3)
2	122598	1	2-Pin Connector (Male)
3	137028	2	Pin
4	137021	8	Socket
5	122599	4	2 Pin Socket Connector
6	881240	1	Door Switch "Closed Position" Harness (includes illus. nos. 4 through 8)
7	122598	1	2-Pin Connector (Male)
8	137028	4	Pin

1 DOOR or 2 DOOR MODELS



Illus. No.	Part No.	Qty.	Description
1	160140	1	Key Only for Control Door Lock (keyed XX4451)
2	160050	1	Control Door Lock Less Key (keyed to XX4451)
3	160014	1	Cam
4	112360	1	ADC Logo ONLY
	870011	1	Double Sided Tape Kit
5*	821334	1	Left Hand Control Door

* Specify color when ordering.



Illus. No.	Part No.	Qty.	Description
------------	----------	------	-------------

1	122351	1	"EMERGENCY STOP" (E-STOP) Mushroom Head Switch
2	122419	1	"EMERGENCY STOP" (E-STOP) Nameplate
3*	122360	1	2-Position Selector Switch
4*	122413	1	"TILT OFF - TILT ON" Special Nameplate
5**	123208	1	"Red" Lighted Operator
6**	122437	1	"HEATER FAULT" Engraved Nameplate
7**	123212	1	Incandescent Bulb - 24 VAC
8***	123200	1	"Amber" Lighted Push Button Operator
9***	122420	1	"Sprinkler Stop" Engraved Label
10***	123211	1	120 VAC Panel Light Bulb

continued on page 27

<u>Illus. No.</u>	<u>Part No.</u>	<u>Qty.</u>	<u>Description</u>
11	123201	1	"Green" Lighted Operator
12	122410	1	"ON" Nameplate
13	123212	1	24 VAC Incandescent Bulb
14	123204	1	"Red" Push Button Operator
15	122421	1	"OFF" Standard Nameplate
16	-----	-	Selector Switch (refer to Selector Switch, Nameplate, and Base Chart on page 29)
17	-----	-	Nameplate (refer to Selector Switch, Nameplate, and Base Chart on page 29)
18	123202	1	White Push Button Operator
19	122416	1	"REVERSE" Nameplate
20	123203	1	"Black" Push Button Operator
21	122415	1	"FORWARD" Nameplate
22	160140	1	Key ONLY (keyed XX4451)
23	160050	1	Control Door Lock Only Less Key
24	112535	1	OPL English Keyboard Label Assembly
25****	-----	1	Right Hand Control Door Assembly (contact factory with dryer <u>serial number</u>)
26	160014	1	Cam
27	150005	2	6-32 x 1/4" Phillips Round Head Machine Screw
28	153010	2	#6 Star Washer
29	881129	1	Phase 5 OPL Reversing Microprocessor with External PLC (Programmable Logic Controller) Interface
	137227	1	Phase 5 OPL Reversing Microprocessor with Interface Connector
30	132396	1	Mounting Base with 1 N.O. (Normally Open) and 1 N.C. (Normally Closed) Contact Block
31	132396	1	Mounting Base with 1 N.O. (Normally Open) and 1 N.C. (Normally Closed) Contact Block
32	132395	1	Mounting Base with 1 N.C. (Normally Closed) Contact Block
33	132387	1	N.C. (Normally Closed) Contact Block
34	-----	-	Mounting Base (refer to Selector Switch, Nameplate, and Base Chart on page 29)
35	-----	-	Mounting Base (refer to Selector Switch, Nameplate, and Base Chart on page 29)

continued on page 28

continued from page 27

<u>Illus. No.</u>	<u>Part No.</u>	<u>Qty.</u>	<u>Description</u>
36*	132394	1	Mounting Base with 1 N.C. (Normally Closed) Contact Block
37**	132388	1	N.O. (Normally Open) Contact Block with Direct Supply Base
38	132395	1	Mounting Base with 1 N.C. (Normally Closed) Contact Block
39	132388	1	N.O. (Normally Open) Contact Block with Direct Supply Base
40***	132388	1	N.O. (Normally Open) Contact Block with Direct Supply Base
41	121509	3	Metal Clip-on Mount
42	122424	1	"POWER WARNING" Label
43	112095	1	"Phase 5 Computer System" Label
44	112534	1	"Phase 5 Computer Location" Label

* For 2-Way Tilt Models ONLY.

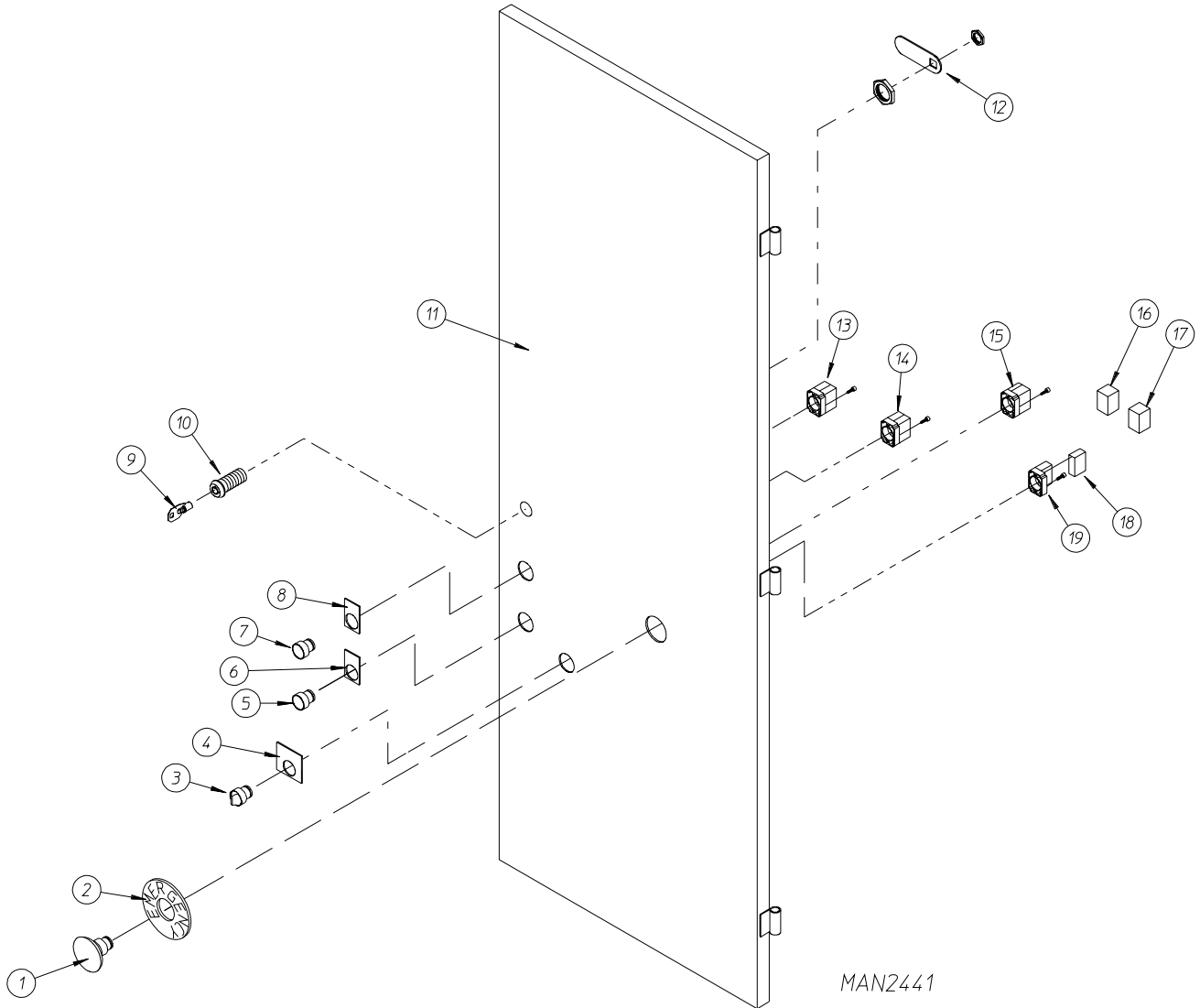
** For Gas Models ONLY.

*** For models mfd. with Sprinkler Option.

**** Specify color when ordering.

Selector Switch, Nameplate, and Mounting Base Chart

	Models with 2-Way Tilt Manual/Automatic Doors	Models with Forward Tilt Manual Doors	Models with Forward Tilt Automatic Doors	Models with Rear Tilt Manual/Automatic Doors
Illus. No. 16 Selector Switch	ADC Part No. 122361 3-Position Maintained Operator	ADC Part No. 122360 2-Position Selector Switch "Black"	ADC Part No. 122348 3-Position Cam Selector Switch	ADC Part No. 112361 3-Position Maintained Operator
Illus. No. 17 Nameplate	ADC Part No. 122438 "Load-Dry-Unload"	ADC Part No. 122422 Unload "0-1"	ADC Part No. 122412 "Load-Dry-Unload"	ADC Part No. 122435 Load "Level-Off-Tilted"
Illus. No. 34 and Illus. No. 35 Mounting Base	ADC Part No. 132395 Mounting Base with NC Contacts	ADC Part No. 132394 Mounting Base with 1 NC Contact Block	Included with Selector Switch	Included with Selector Switch

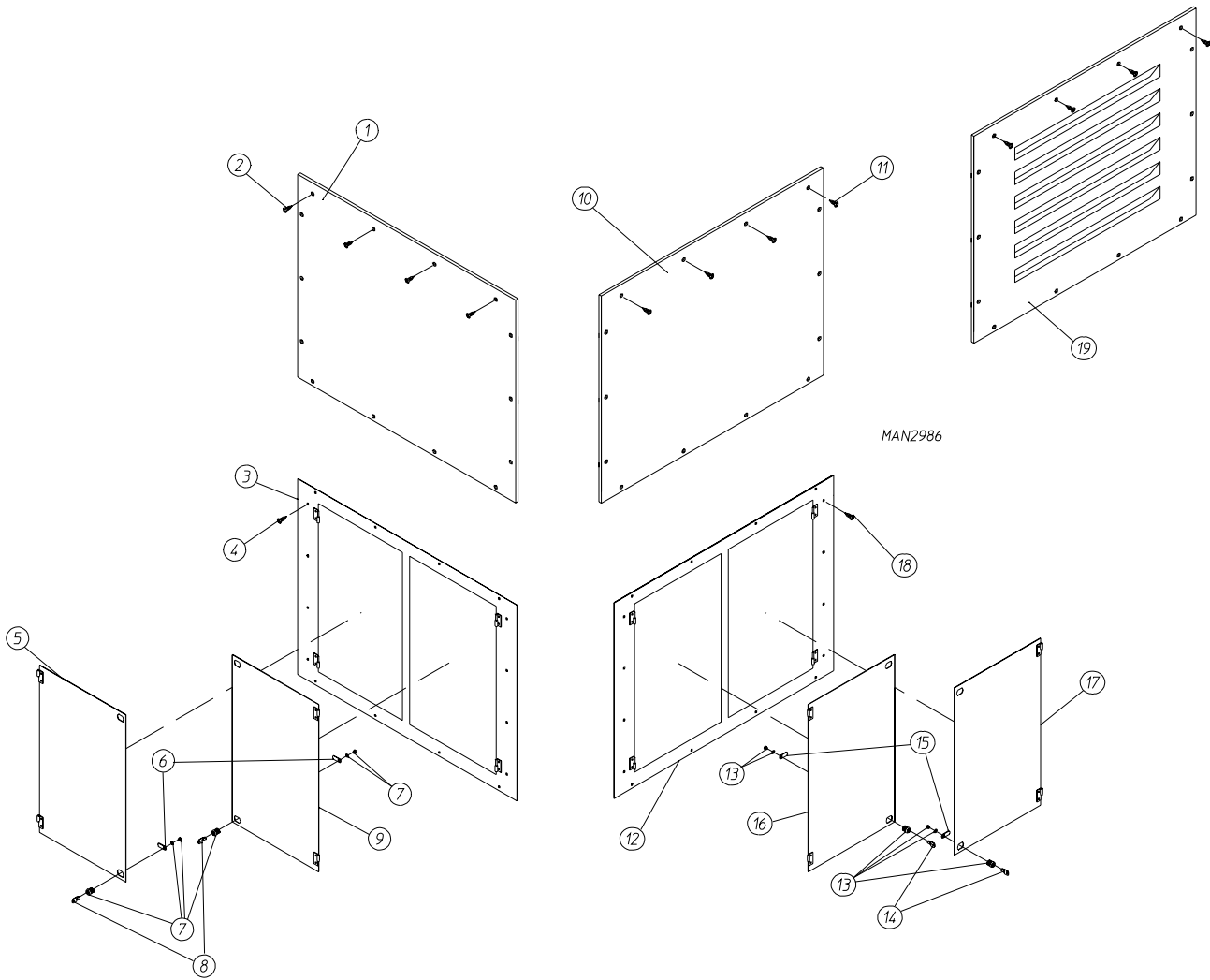


2 DOOR MODELS

<u>Illus. No.</u>	<u>Part No.</u>	<u>Qty.</u>	<u>Description</u>
1	122351	1	"EMERGENCY STOP" (E-STOP) Mushroom Head Switch
2	122419	1	"EMERGENCY STOP" (E-STOP) Nameplate
3	122361	1	3-Position Maintained Operator
4	122436	1	"UNLOAD, LEVEL-OFF-TILTED" Special Nameplate
5	123202	1	White Push-Button Operator
6	122416	1	"REVERSE" Nameplate
7	123203	1	Black Push-Button Operator
8	122415	1	"FORWARD" Nameplate
9	160140	1	Key ONLY (keyed XX4451)
10	160050	1	Control Door Lock Only Less Key
11*	-----**	1	Right Hand Control Door Assembly
12	160014	1	Cam
13	132396	1	Mounting Base with 1 N.O. (Normally Open) and 1 N.C. (Normally Closed) Contact Block
14	132396	1	Mounting Base with 1 N.O. (Normally Open) and 1 N.C. (Normally Closed) Contact Block
15	132394	1	Mounting Base with N.O. (Normally Open) Contact Block
16	132386	2	N.O. (Normally Open) Contact Block
17	132387	4	N.C. (Normally Closed) Contact Block
18	132387	1	N.C. (Normally Closed) Contact Block
19	132395	1	Mounting Base with N.C. (Normally Closed) Contact Block

* Specify color when ordering.

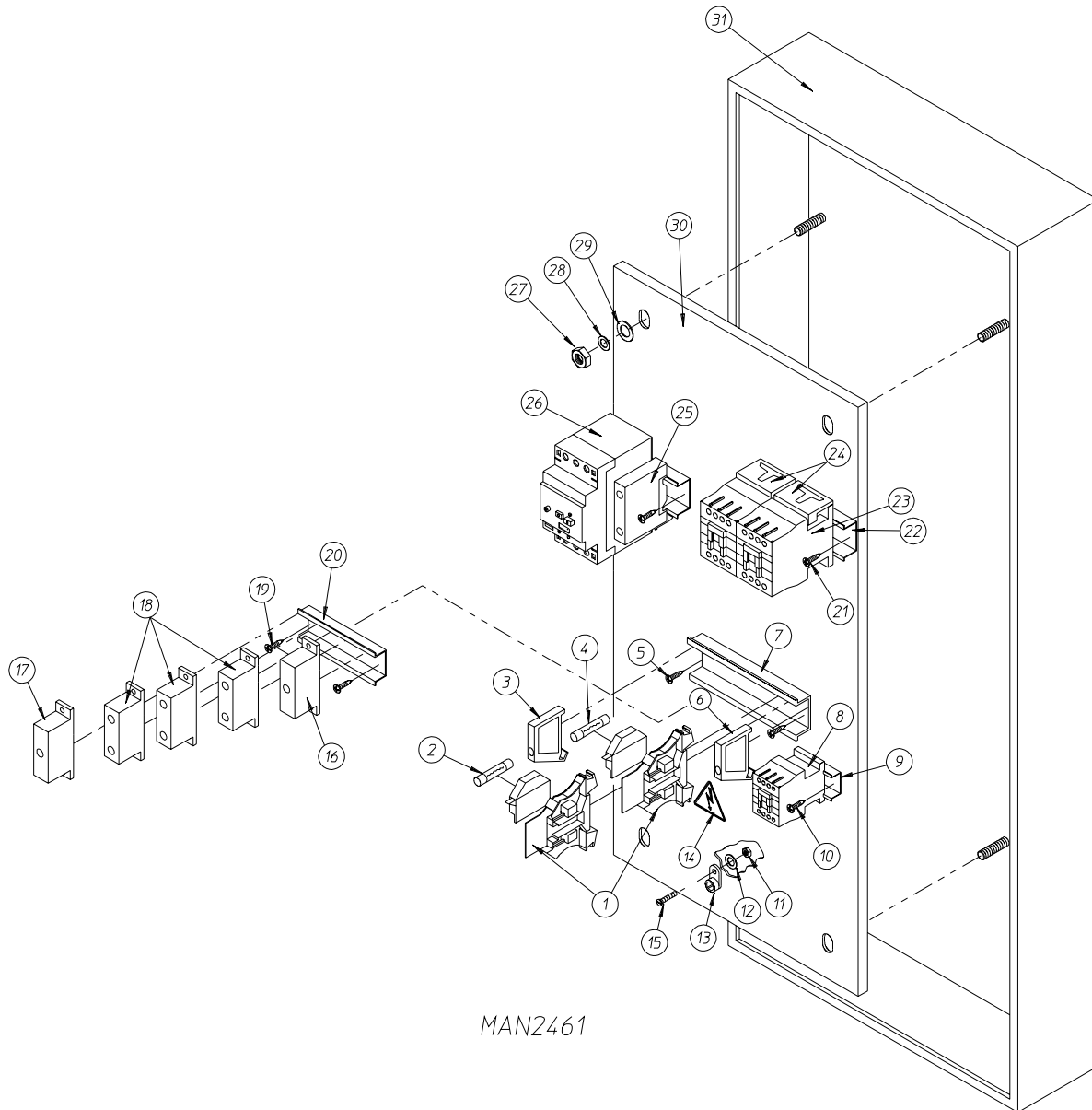
** Contact factory with dryer serial number.



<u>Illus. No.</u>	<u>Part No.</u>	<u>Qty.</u>	<u>Description</u>
1*	826035	1	Left Top Side Panel
2	150523	16	1/4-20 x 3/4" Hex Washer TEK Screw
3*	881379	1	Lower Side Panel with Hinged Doors Complete (includes illus. no. 3 and 5 through 9)
	881378	1	Lower Side Panel ONLY
4	150523	18	1/4-20 x 3/4" Hex Head TEK Screw
5*	881190	1	Locking Hinged Side Panel Door Assembly Less Locks
6	160034	4	Lock Cam Only
7	160050	4	Panel Lock ONLY less Key (keyed to XX4451)
8	160140	4	Key ONLY (for Panel Lock XX4451)
9*	881377	1	Locking Hinged Side Panel Door Assembly Less Locks
10*	826035	1	Right Top Side Panel (for ALL Steam Models and Gas Models with Inlet Air Adapter Option)
11	150523	16	1/4-20 x 3/4" Hex Head TEK Screw
12*	881379	1	Lower Side Panel with Hinged Doors complete (includes illus. nos. 12 through 17)
	881378	1	Lower Side Panel Only
13	160050	4	Panel Lock ONLY Less Key (keyed to XX4451)
14	160140	4	Key Only (for Panel Lock XX4451)
15	160034	4	Lock Cam Only
16*	881190	1	Locking Hinged Side Panel Door Less Locks
17*	881377	1	Locking Hinged Side Panel Door Assembly Less Locks
18	150523	18	1/4-20 x 3/4" Hex Head TEK Screw
19*	826034	1	Top Right Side Panel (for Gas Models Only)

* Specify color when ordering.

for models mfd. with Thermal-Magnetic Protection ONLY



Illus. No.	Part No.	Qty.	Description
1	120721	2	Fuse Holder ONLY
2	136031	1	7-Amp (Fast Acting) Fuse (for 190/208 volt models mfd. as of August 8, 1997)
	881854*	1	190/208 Volt 300VA Control Transformer Kit (for 190/208 volt models mfd. prior to August 8, 1997)
	182453	1	6-Amp (Fast Acting) Fuse (for 240 volt models mfd. as of August 8, 1997)
	881855*	1	240 Volt 300VA Control Transformer Kit (for 240 volt models mfd. as of August 8, 1997)
	136057	1	1/2 Amp (Slo Blo) Fuse (for 380 volt gas models Only)
	182453	1	6-Amp (Fast Acting) Fuse (for 380/416 volt steam models Only)
	136102	1	.4-Amp (Slo Blo) Fuse (for 416/460 volt gas models Only)
	136030	1	5-Amp (Fast Acting) Fuse (for 460 volt steam models Only)
3	120765	1	End Stop
4	136101	1	.8-Amp (Slo Blo) Fuse (for 208/240 volt models Only)
	136057	1	.5-Amp (Slo Blo) Fuse (for 380 volt models Only)
	136102	1	.4-Amp (Slo Blo) Fuse (for 416/460 volt models Only)
	136105	1	.3-Amp (Slo Blo) Fuse (for 575 volt models Only)
5	150309	2	#10-16 x 1/2" Hex Head TEK Crimptite Screw

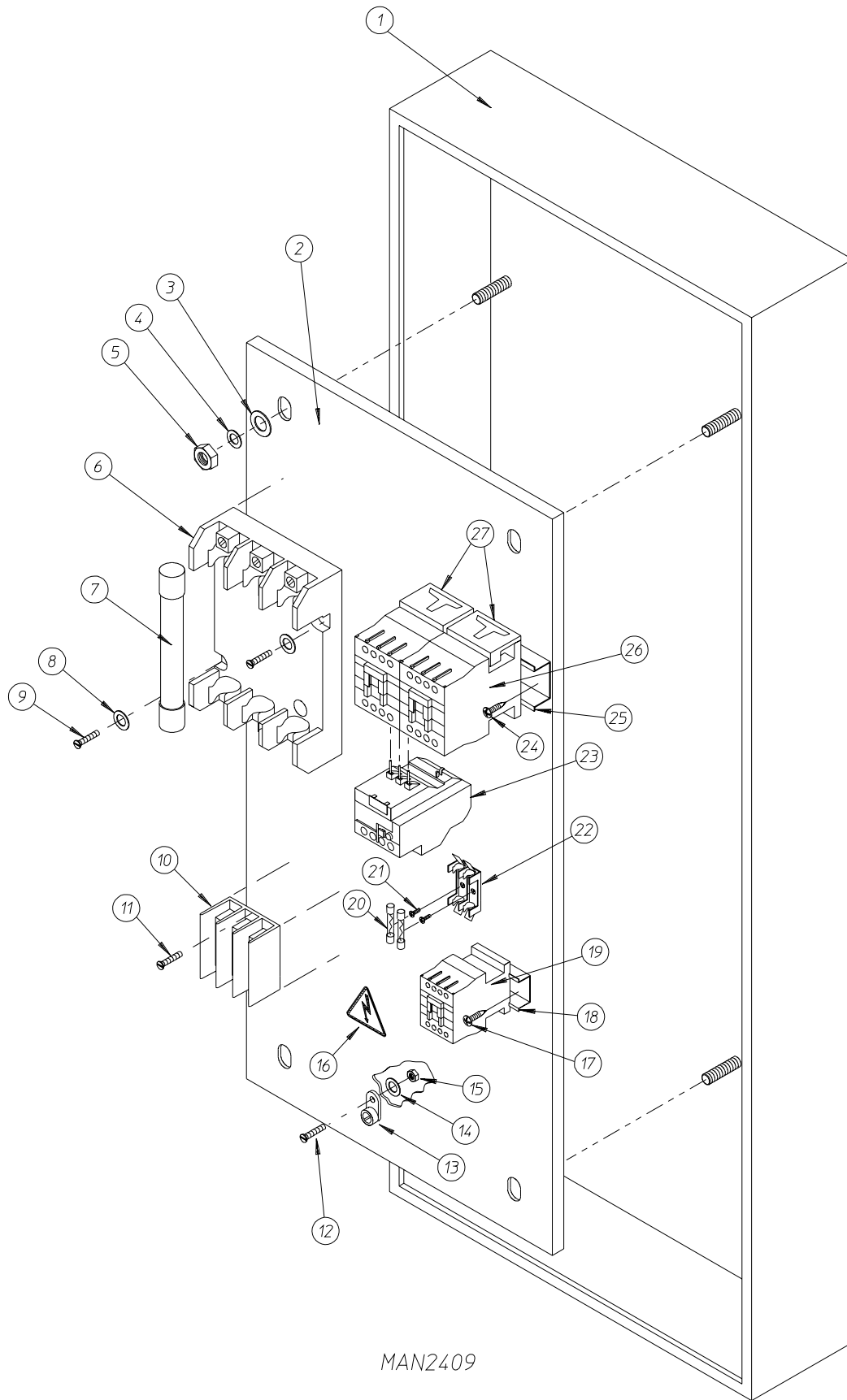
for models mfd. with Thermal-Magnetic Protection ONLY

<u>Illus. No.</u>	<u>Part No.</u>	<u>Qty.</u>	<u>Description</u>
6	120750	1	Ground Block (for models mfd. as of May 30, 1996)
	120765	1	End Stop (for models mfd. prior to May 30, 1996)
7	120768	-	Din Mounting Rail (sold by the inch)
8**	132444	1	Control Relay
9**	120768	-	Din Mounting Rail (sold by the inch)
10**	150309	2	#10-16 x 1/2" Hex Head TEK Crimping Screw
11	152002	1	1/4-20 Hex Nut
12	153007	1	1/4" Lock Washer
13	121012	1	Ground Lug
14	122424	1	Power Warning Label
15	150512	1	1/4-20 x 1/2" Hex Head Machine Bolt
16	120770	1	End Stop
17	120770	1	End Stop
18	120760	3	Power Distribution Block
19	150309	2	#10-16 x 1/2" Hex Head TEK Crimping Screw
20	120768	-	Din Mounting Rail (sold by the inch)
21	150309	2	#10-16 x 1/2" Hex Head TEK Crimping Screw
22	120768	-	Din Mounting Rail (sold by the inch)
23	132424	1	Reversing Contactor
24	132437	2	Varistor
25	132389	1	Auxiliary Contact Block (for models mfd. as of May 24, 1996)
	132384	1	Auxiliary Contact Block (for models mfd. prior to May 24, 1996)
26	131963	1	Thermal Magnetic Starter (for <u>208 volt</u> models mfd. as of October 8, 1996)
	881341	1	Thermal Magnetic Starter Kit (includes illus. nos. 25 and 26) <i>Replaces #131954 used on <u>208 volt</u> models mfd. prior to October 8, 1996</i>
	131963	1	Thermal Magnetic Starter (for <u>240 volt</u> models mfd. as of May 24, 1996)
	881341	1	Thermal Magnetic Starter Kit (includes illus. nos. 25 and 26) <i>Replaces #131953 used on <u>240 volt</u> models mfd. prior to May 24, 1996</i>
	131962	1	Thermal Magnetic Starter (for <u>380/416 volt</u> models mfd. as of May 24, 1996)
	881339	1	Thermal Magnetic Starter Kit (includes illus. nos. 25 and 26) <i>(Replaces #131952 used on <u>380/416 volt</u> models mfd. prior to May 24, 1996)</i>
	131962	1	Thermal Magnetic Starter (for <u>460 volt</u> models mfd. as of December 3, 1996)
	131970	1	Thermal Magnetic Starter (for 460 volt models mfd. between May 24, 1996 and December 3, 1996))
	881341	1	Thermal Magnetic Starter Kit (includes illus. nos. 25 and 26) <i>Replaces #131953 used on <u>460 volt</u> models mfd. prior to May 24, 1996</i>
27	152005	4	3/8-16 Hex Nut
28	153005	4	3/8" Lock Washer
29	153004	4	3/8" Flat Washer
30	334269	1	Left Hand Electrical Panel
31	-----	-	Left Control Cabinet (refer to appropriate Front Panel Assembly or Rear Panel Assembly)

* Control transformer kits include fuses. Fuses **cannot** be ordered separately.

** For models mfd. with *Sprinkler Option*.

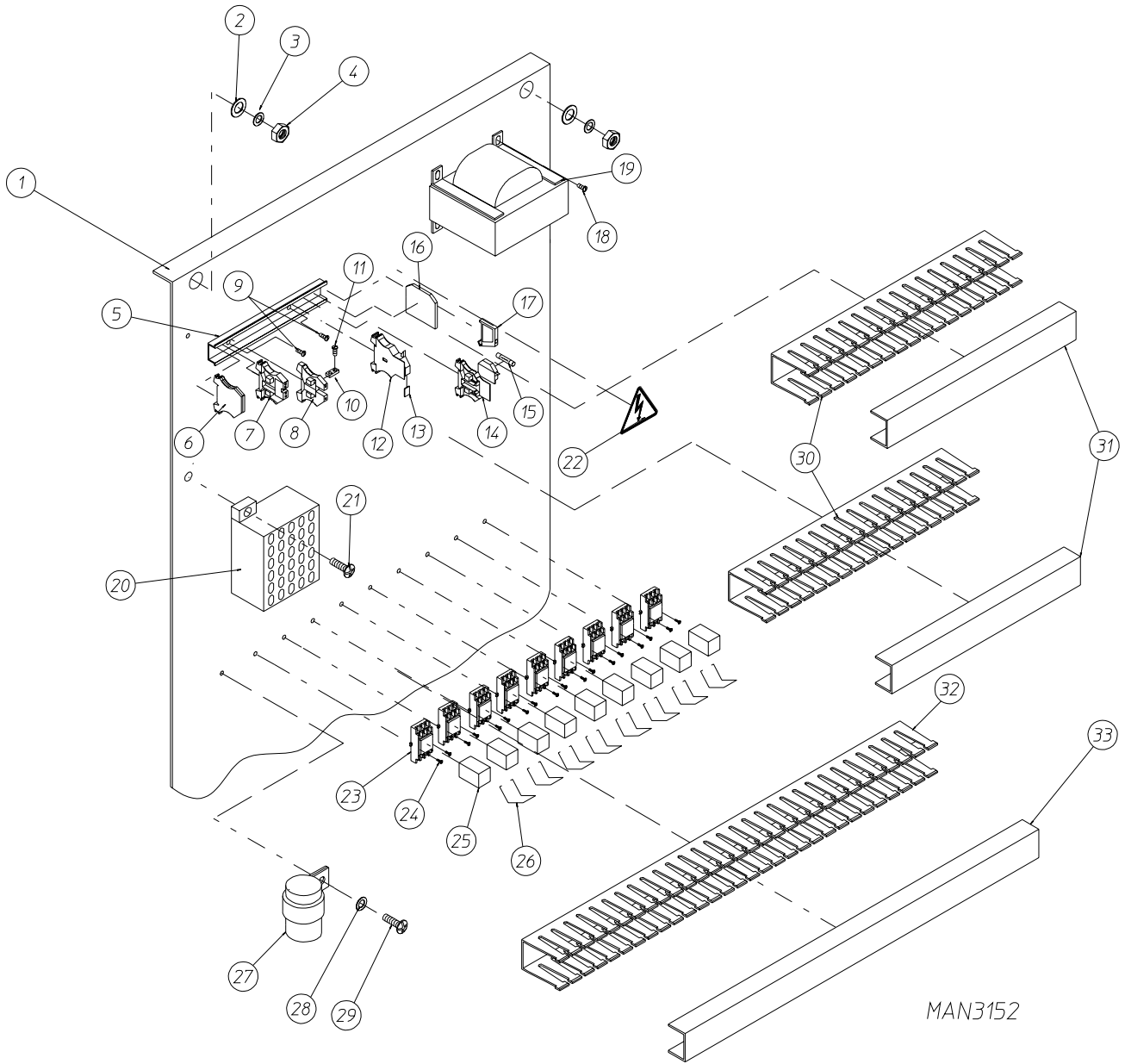
for models mfd. with Fuse Protection ONLY



for models mfd. with Fuse Protection ONLY

<u>Illus. No.</u>	<u>Part No.</u>	<u>Qty.</u>	<u>Description</u>
1	-----	-	Left Control Cabinet (refer to appropriate Front Panel Assembly or Rear Panel Assembly)
2	341370	1	Left Hand Electrical Panel
3	153004	4	3/8" Flat Washer
4	153005	4	3/8" Lock Washer
5	152005	4	3/8-16 Hex Nut
6	136004	1	Fuse Holder ONLY
7	136024	3	20-Amp Dual Element Fuse (<i>for 208/240 volt models Only</i>)
	136025	3	12-Amp Dual Element Fuse (<i>for 380/460 volt models Only</i>)
8	153000	4	#8 Steel Burr
9	150103	4	#8-32 x 3/4" Phillips Pan Head TEK Screw
10	120704	1	Power Distribution Block
11	150103	4	#8-32 x 3/4" Phillips Pan Head TEK Screw
12	150512	1	1/4-20 x 1/2" Hex Head Machine Bolt
13	121012	1	Ground Lug
14	153007	1	1/4" Lock Washer
15	152002	1	1/4-20 Hex Nut
16	122424	1	"POWER WARNING" Label
17*	150309	2	#10-16 x 1/2" Hex Head TEK Crimptite Screw
18*	120768	-	Din Mounting Rail (sold by the inch)
19*	132444	1	3 HP Control Relay
20	136101	2	.8-Amp (Slo Blo) Fuse (<i>for 208/240 volt models Only</i>)
	136057	2	.5-Amp (Slo Blo) Fuse (<i>for 380 volt models Only</i>)
	136102	2	.4-Amp (Slo Blo) Fuse (<i>for 416/460 volt models Only</i>)
21	150301	2	#8-18 x 7/16" Phillips Pan Head TEK Screw
22	136008	2	Fuse Holder ONLY
23	132435	1	12 - 18 Amp Overload (<i>for 208/240 volt models Only</i>)
	132436	1	7 - 10 Amp Overload (<i>for 380/460 volt models Only</i>)
24	150309	2	#10-16 x 1/2" Hex Head TEK Crimptite Screw
25	120768	-	Din Mounting Rail (sold by the inch)
26	132424	1	5 HP Reversing Contactor
27	132437	2	Varistor

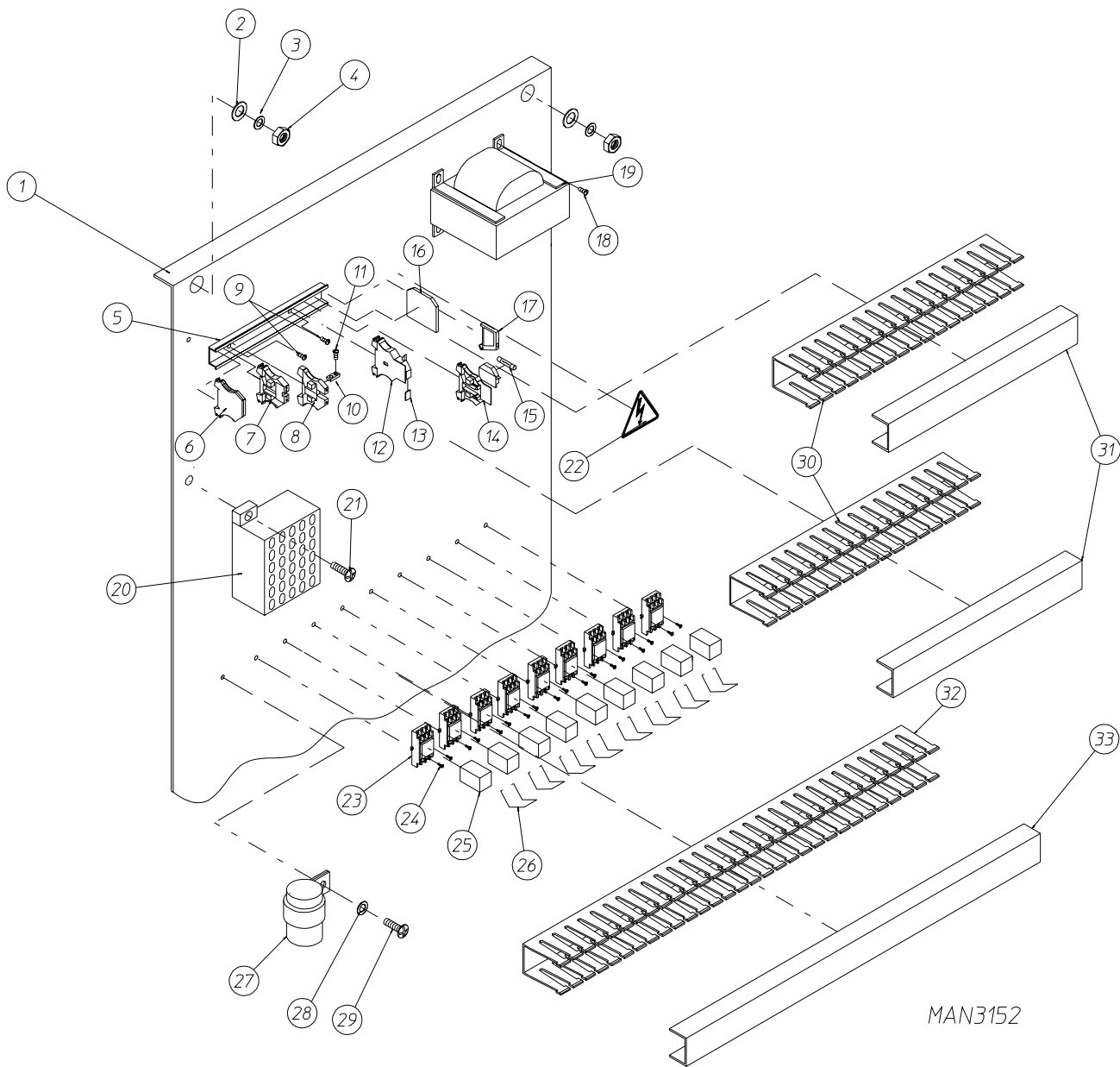
* For models mfd. with *Sprinkler Option*.



for models mfd. as of November 17, 1997

<u>Illus. No.</u>	<u>Part No.</u>	<u>Qty.</u>	<u>Description</u>
1	334342	1	Right Hand Electrical Panel
2	153004	4	3/8" Flat Washer
3	153005	4	3/8" Lock Washer
4	152005	4	3/8-16 Hex Nut
5	120768	-	Din Mounting Rail (sold by the inch)
6	120750	*	Ground Blocks
7	120761	*	4-Position Feed Thru Terminal Block
8	120758	*	Feed Thru Terminal Block
9	150309	2	#10-16 x 1/2" Hex Head TEK Crimptite Screw
10	120990	*	2-Pole Bus Bar for Disconnect Blocks
11	120998	*	Screw for Bus Bar
12	120752	*	Terminal Block with Disconnect
13	120999	*	Marking Tab
14	120721	*	Fused Disconnect Terminal Block
15	136057	1 or 2	1/2-Amp (Slo Blo) Fuse (quantity of one (1) used on <u>380/416/460/480/575/600 volt models</u>) (quantity of two (2) used on <u>208/240 volt models</u>)
	136056	1	20-Amp (Slo Blo) Fuse (for <u>208/240 volt gas models and all steam models</u>)
	136038	1	8-Amp (Fast Acting) Fuse (for <u>380/416/460/480/575/600 volt gas models</u>)
16	120766	1	End Plate
17	120765	1	End Stop
18	150108	4	#8-32 x 1/2" Phillips Pan Head Machine Screw
19	132087	1	300 VA Transformer (for <u>all 208/240 volt models</u>)
	132073	1	150 VA Transformer (for <u>380 volt gas models</u>)
	132074	1	150 VA Transformer (for <u>416 volt gas models</u>)
	132088	1	450 VA Transformer (for <u>380/416 volt steam models</u>)
	132075	1	150 VA Transformer (for <u>480 volt gas models</u>)
	132089	1	450 VA Transformer (for <u>460/480/575/600 volt steam models</u>)
	132076	1	150 VA Transformer (for <u>600 volt gas models</u>)
20	120730	1	ABC Terminal Block
21	150106	2	#8-32 x 1" Phillips Round Head Machine Screw
22	122424	1	"POWER WARNING" Label
23	131408	*	DPDT (Double-Pole-Double-Throw) Relay Socket
24	150103	*	#8-32 x 3/4" Phillips Pan Head Machine Screw
25	131407	*	DPDT (Double-Pole-Double-Throw) Relay
26	131409	*	Hold Down (for DPDT [Double-Pole-Double-Throw] Relay)
27	832350	1	1-Second Flasher 24 VAC with Clip
28	153000	1	#8 Flat Washer
29	150108	1	#8-32 x 1/2" Phillips Pan Head Machine Screw
30	121429	-	2" x 1" Slotted Wall Wire Way (sold by the inch)
31	121422	-	Wire Way Cover (sold by the inch)
32	121429	-	2" x 1" Slotted Wall Wire Way (sold by the inch)
33	121422	-	Wire Way Cover (sold by the inch)

* As required

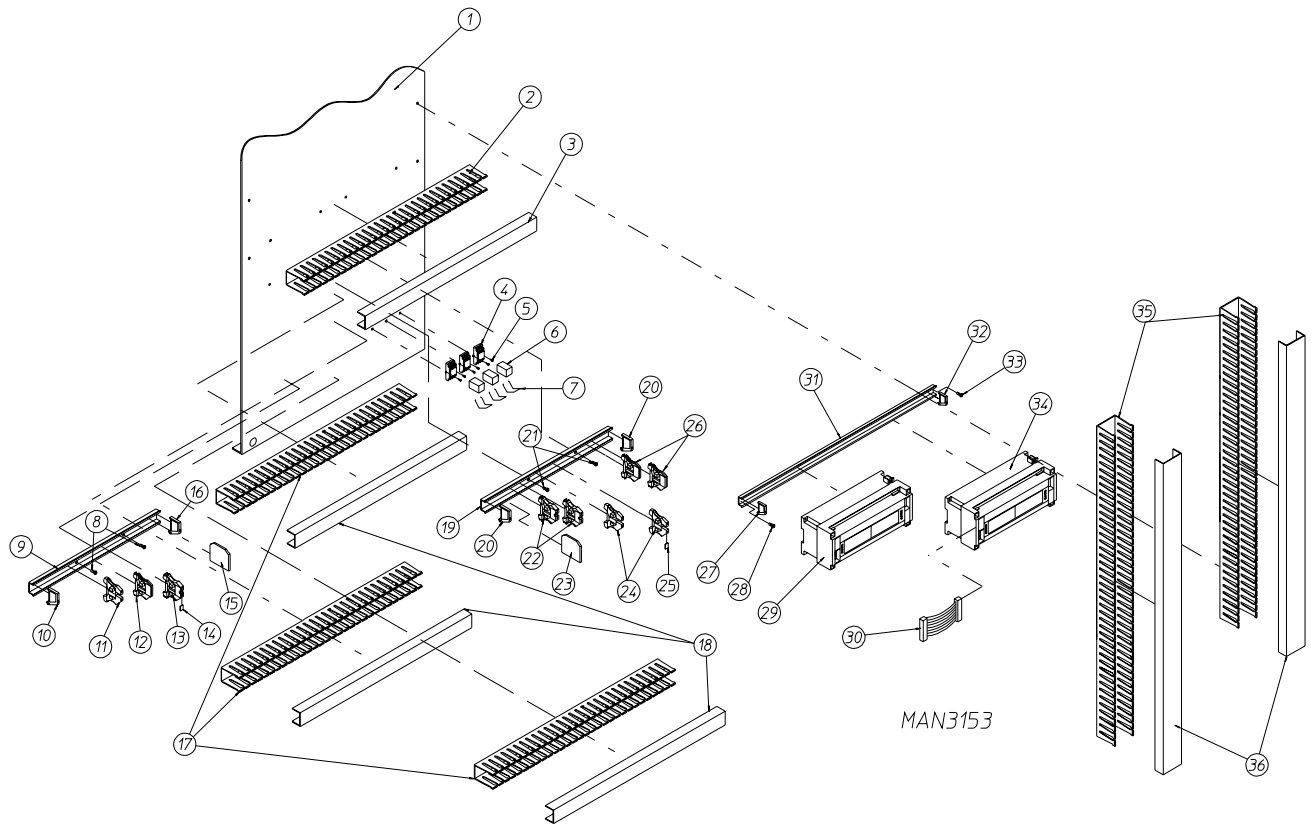


for models mfd. prior to November 17, 1997

<u>Illus. No.</u>	<u>Part No.</u>	<u>Qty.</u>	<u>Description</u>
1	334342	1	Right Hand Electrical Panel
2	153004	4	3/8" Flat Washer
3	153005	4	3/8" Lock Washer
4	152005	4	3/8-16 Hex Nut
5	120768	-	Din Mounting Rail (sold by the inch)
6	120750	*	Ground Blocks
7	120761	*	4-Position Feed Thru Terminal Block
8	120758	*	Feed Thru Terminal Block
9	150309	2	#10-16 x 1/2" Hex Head TEK Crimptite Screw
10	120990	*	2-Pole Bus Bar for Disconnect Blocks
11	120998	*	Screw for Bus Bar
12	120752	*	Terminal Block with Disconnect
13	120999	*	Marking Tab
14	120721	*	Fused Disconnect Terminal Block
15	136057	1 or 2	1/2-Amp (Slo Blo) Fuse (quantity of one (1) used on <u>380/416/460/480/575/600 volt models</u>) (quantity of two (2) used on <u>208/240 volt models</u>)
	136038	1	8-Amp (Fast Acting) Fuse (for <u>380/416/460/480/575/600 volt gas models</u>)
	-----**	1	Fuse (for all steam models and <u>208/240 volt gas models</u>)
16	120766	1	End Plate
17	120765	1	End Stop
18	150108	4	#8-32 x 1/2" Phillips Pan Head Machine Screw
19	881854**	1	208 Volt 300VA Control Transformer Kit
	881855**	1	240 Volt 300VA Control Transformer Kit
	132073	1	150VA Control Transformer (for <u>380 volt gas models</u>)
	132074	1	150VA Control Transformer (for <u>416 volt gas models</u>)
	881856**	1	380/416 Volt 450VA Control Transformer Kit (for steam models Only)
	132075	1	150VA Control Transformer (for <u>480 volt gas models Only</u>)
	881857**	1	460/480/575/600V 450VA Control Transformer Kit (for steam models Only)
	132076	1	150VA Control Transformer (for <u>575/600 volt gas models Only</u>)
20	120730	1	ABC Terminal Block
21	150106	2	#8-32 x 1" Phillips Round Head Machine Screw
22	122424	1	"POWER WARNING" Label
23	131408	*	DPDT (Double-Pole-Double-Throw) Relay Socket
24	150103	*	#8-32 x 3/4" Phillips Head Machine Screw
25	131407	*	DPDT (Double-Pole-Double-Throw) Relay
26	131409	*	Hold Down (for DPDT [Double-Pole-Double-Throw] Relay)
27	832350	1	1-Second Flasher 24 VAC with Clip
28	153000	1	#8 Flat Washer
29	150108	1	#8-32 x 1/2" Phillips Head Machine Screw
30	121429	-	2" x 1" Slotted Wall Wire Way (sold by the inch)
31	121422	-	Wire Way Cover (sold by the inch)
32	121429	-	2" x 1" Slotted Wall Wire Way (sold by the inch)
33	121422	-	Wire Way Cover (sold by the inch)

* As required

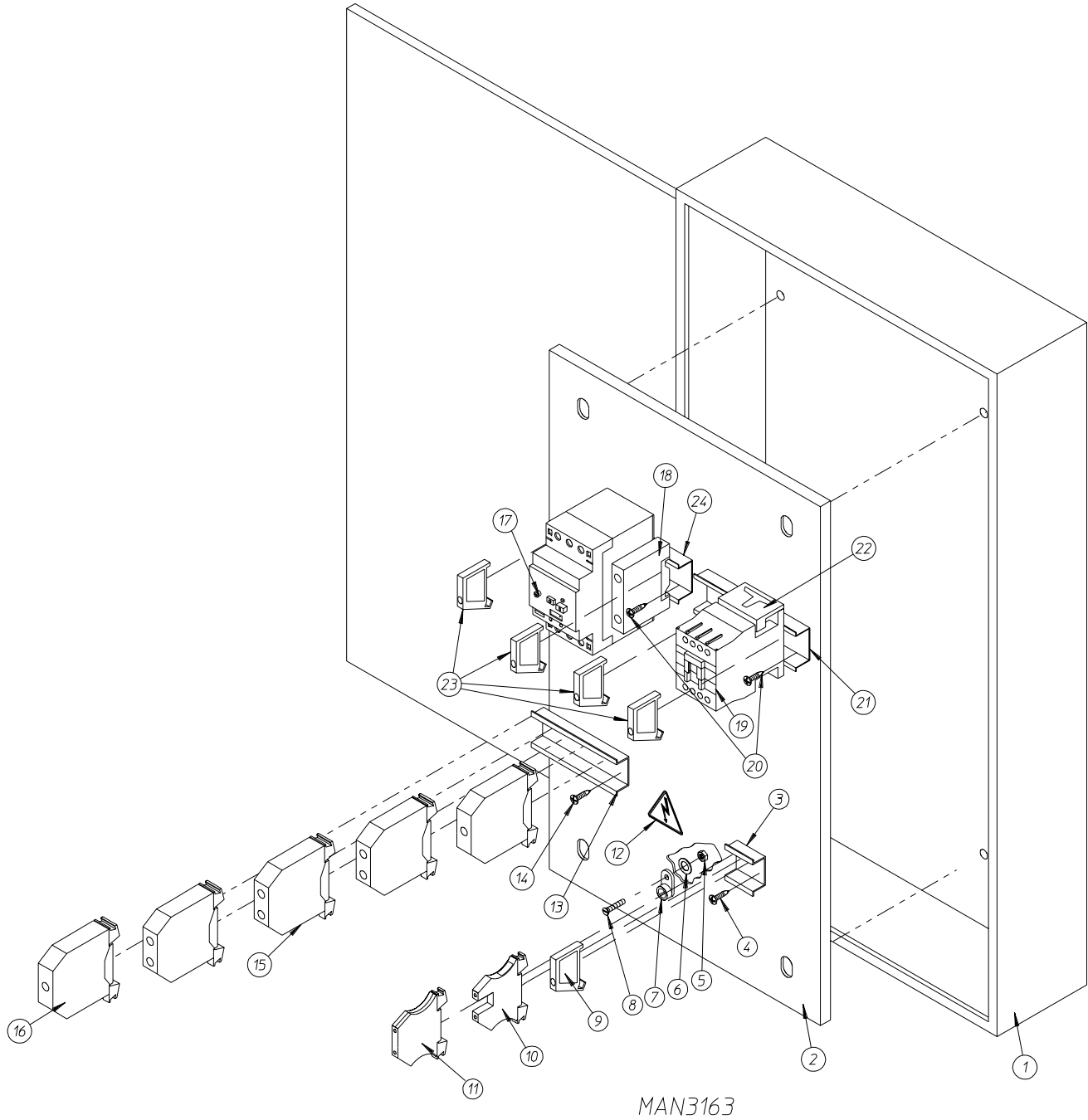
** Control Transformer Kits include new fuses. Fuses **cannot** be ordered separately.



<u>Illus. No.</u>	<u>Part No.</u>	<u>Qty.</u>	<u>Description</u>
1	334342	1	Right Hand Electrical Panel
2	121429	-	2" x 1" Slotted Wall Wire Way (sold by the inch)
3	121422	-	Wire Way Cover 1" (sold by the inch)
4	131408	*	DPDT (Double-Pole-Double-Throw) Relay Socket
5	150103	*	#8-32 x 3/4" Phillips Round Head Machine Screw
6	131407	*	DPDT (Double-Pole-Double-Throw) Relay
7	131409	*	Hold Down (for DPDT [Double-Pole-Double-Throw] Relay)
8	150309	2	#10-16 x 1/2" Hex Head TEK Crimptite Screw
9	120768	-	Din Mounting Rail (sold by the inch)
10	120765	1	End Stop
11	120758	*	Feed Thru Terminal Block
12	120750	*	Ground Terminal Block
13	120761	*	4-Position Feed Thru Terminal Block
14	120999	*	Marking Tab
15	120766	1	End Plate
16	120765	1	End Stop
17	121429	-	2" x 1" Slotted Wall Wire Way (sold by the inch)
18	121422	-	1" Wire Way Cover (sold by the inch)
19	120768	-	Din Mounting Rail (sold by the inch)
20	120765	2	End Stops
21	150309	2	#10-16 x 1/2" Hex Head TEK Crimptite Screw
22	120761	*	4-Position Feed Thru Terminal Block
23	120766	1	End Plate
24	120758	*	Feed Thru Terminal Block
25	120999	*	Marking Tab
26	120750	*	Ground Terminal Block
27	120765	1	#10-16 x 1/2" Hex Head TEK Crimptite Screw
29	881029	1	Micro-1 Processor Control (preprogrammed)
30	137914	1	Micro-1 Processor Expansion Cable
31	120768	-	Din Mounting Rail (sold by the inch)
32	120765	1	End Stop
33	150309	1	#10-16 x 1/2" Hex Head TEK Crimptite Screw
34	137913	1	Micro-1 Expansion Computer
35	121429	-	2" x 1" Slotted Wall Wire Way (sold by the inch)
36	121422	-	1" Wire Way Cover (sold by the inch)

* As required.

for models mfd. with Thermal-Magnetic Protection ONLY

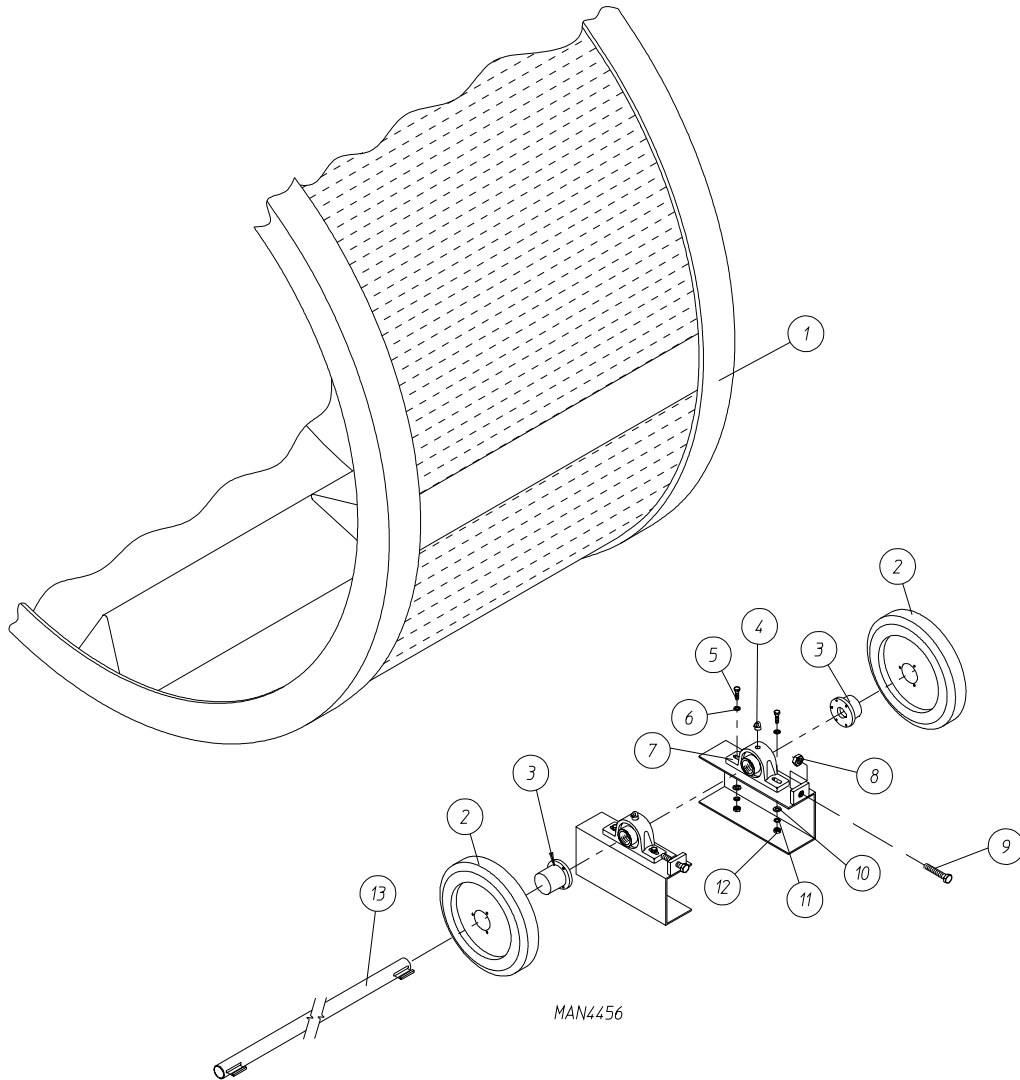


for models mfd. with Thermal-Magnetic Protection ONLY

<u>Illus. No.</u>	<u>Part No.</u>	<u>Qty.</u>	<u>Description</u>
1	-----	1	Base Electrical Junction Box (for 1-Way Tilt Models)
	-----	1	Base Electrical Junction Box (for 2-Way Tilt Models)
2	331499	1	Power Junction Box Panel
3*	120768	-	Din Mounting Rail (sold by the inch)
4*	150522	2	1/4-20 x 1/2" Hex Washer Head Machine Screw
5	152002	1	1/4-20 Hex Nut
6	153007	1	1/4" Lock Washer
7	121012	2	Ground Lug
8	150510	1	1/4-20 x 3/4" Hex Head Machine Bolt
9*	120765	1	End Stop
10*	120758	2	Feed Thru Terminal Block
11*	120750	1	Ground Block
12	122424	1	"POWER WARNING" Label
13	120768	-	Din Mounting Rail (sold by the inch)
14	150522	2	1/4-20 x 1/2" Hex Washer Head Machine Screw
15	120760	3	Terminal Block
16	120770	2	End Bracket
17	131955	1	Thermal Magnetic Starter (for <u>208-240 volt Gas Models Only</u>)
	131964	1	Thermal Magnetic Starter (for <u>380-460 volt Gas Models Only</u>)
	131956	1	Thermal Magnetic Starter (for <u>208-240 volt Steam Models Only</u>)
	131957	1	Thermal Magnetic Starter (for <u>380-460 volt (for Steam Models Only)</u>)
18	132384	1	Auxiliary Contact Block (for <u>ALL Steam Models and 208-240 volt Gas Models Only</u>)
	132389	1	Auxiliary Contact Block (for <u>380-460 volt Gas Models Only</u>)
19	132480	1	3-Phase (3 ϕ) Blower Contactor (for <u>208/240 volt Gas Models Only</u>)
	132465	1	3-Phase (3 ϕ) Blower Contactor (for <u>380-460 volt Gas Models Only</u>)
	132479	1	3-Phase (3 ϕ) Blower Contactor (for <u>208-240 volt Steam Models Only</u>)
	132480	1	3-Phase (3 ϕ) Blower Contactor (for <u>380 volt Steam Models Only</u>)
	132481	1	3-Phase (3 ϕ) Blower Contactor (for <u>400-460 volt Steam Models Only</u>)
20	150522	2	1/4-20 x 1/2" Hex Washer Head Machine Screw
21	120768	-	Din Mounting Rail (sold by the inch)
22	132485	1	Varistor (for <u>ALL Steam Models and 208-240 volt Gas Models Only</u>)
	132437	1	Varistor (for <u>380-460 volt Gas Models Only</u>)
23	120765	4	End Stop (for <u>380-460 volt Gas Models Only</u>)
24	120768	-	Din Mounting Rail (sold by the inch)

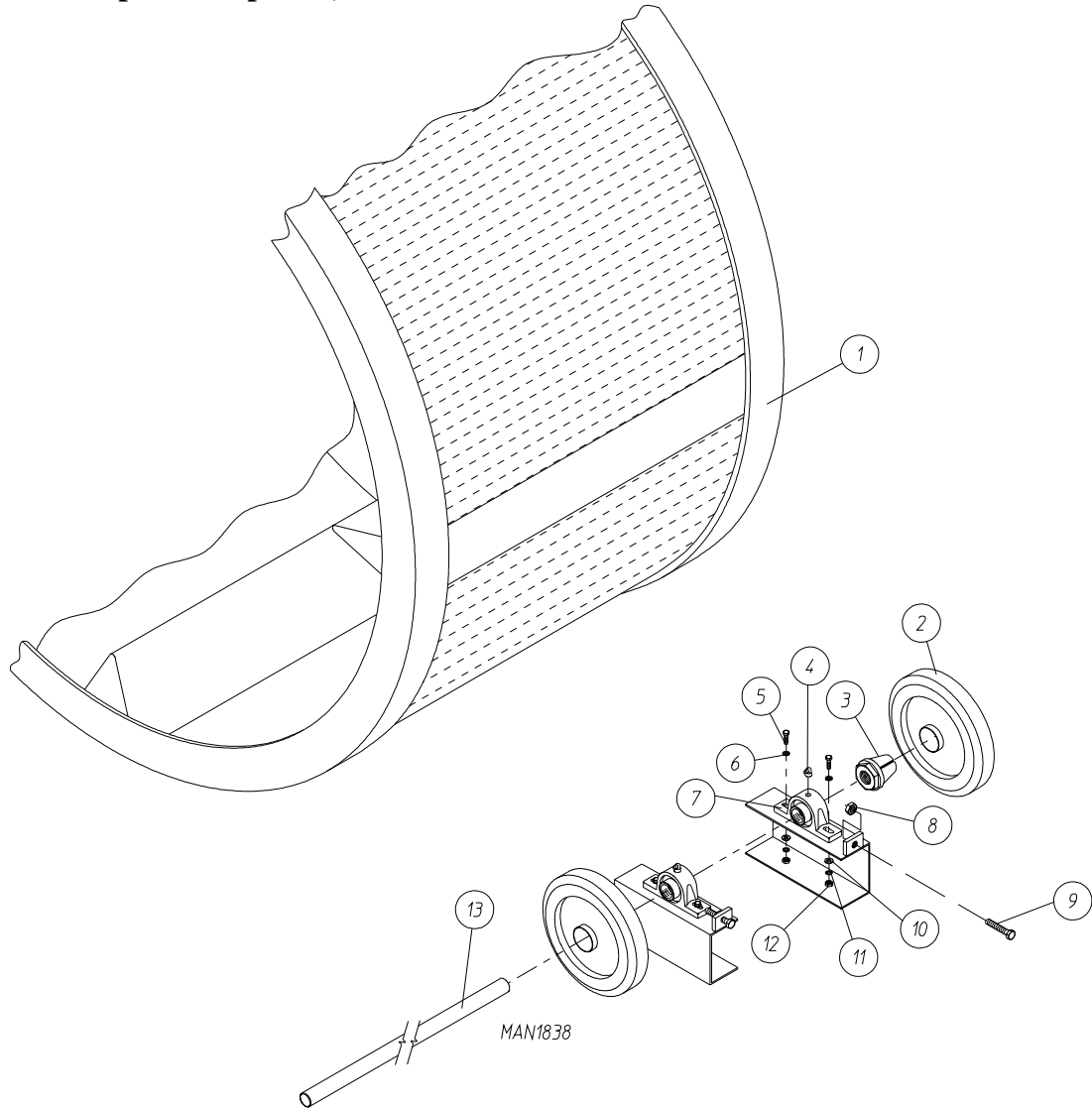
* For models with *Sprinkler Option*.

for models mfd. as of April 20, 1999

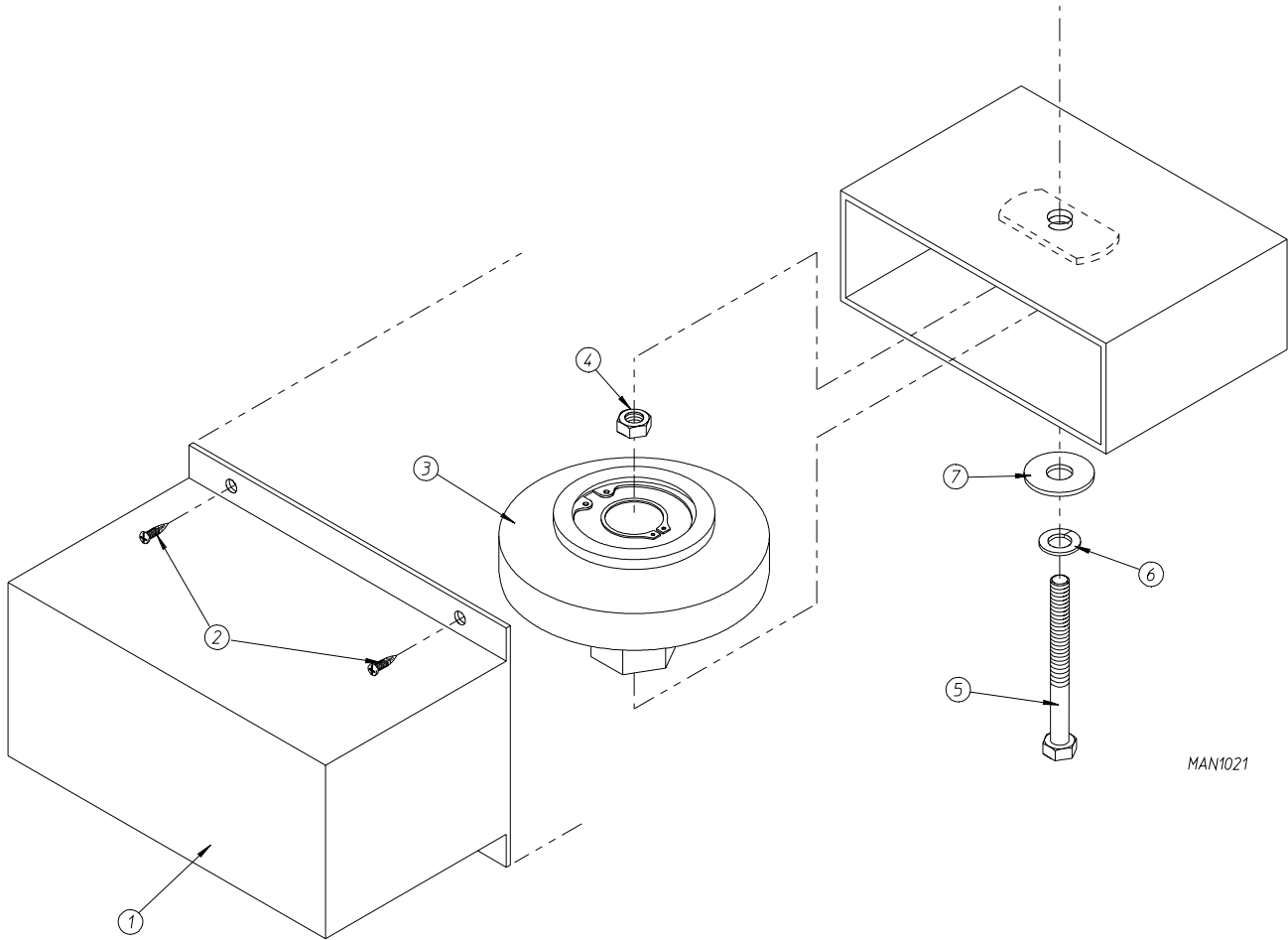


<u>Illus. No.</u>	<u>Part No.</u>	<u>Qty.</u>	<u>Description</u>
1	826046	1	Tumbler (Basket) Assembly (for 2-Door Models)
	826017	1	Tumbler (Basket) Assembly (for 1-Door Models)
2	821465	2	11" Drive Wheel Assembly
3	101127	2	SK x 1-1/2" Taper Lock Bushing
4	170511	2	1/8-27 N.P.T. Grease Fitting
5	150620	4	1/2-13 x 2-1/2" Hex Head Machine Bolt
6	153011	4	9/16" Flat Washer
7	880880	2	1-1/2" Pillow Block Bearing with Grease Fitting (includes illus. nos. 4 and 7)
8	152011	2	1/2-13 Hex Nut
9	150609	2	1/2-13 x 4-1/2" Hex Head Machine Bolt
10	153011	4	9/16" Flat Washer
11	153026	4	1/2" Lock Washer
12	152011	4	1/2-13 Hex Nut
13	334057	1	Idler Shaft
14	100710	2	3/8" x 3/8" x 3" Key

for models mfd. prior to April 20, 1999



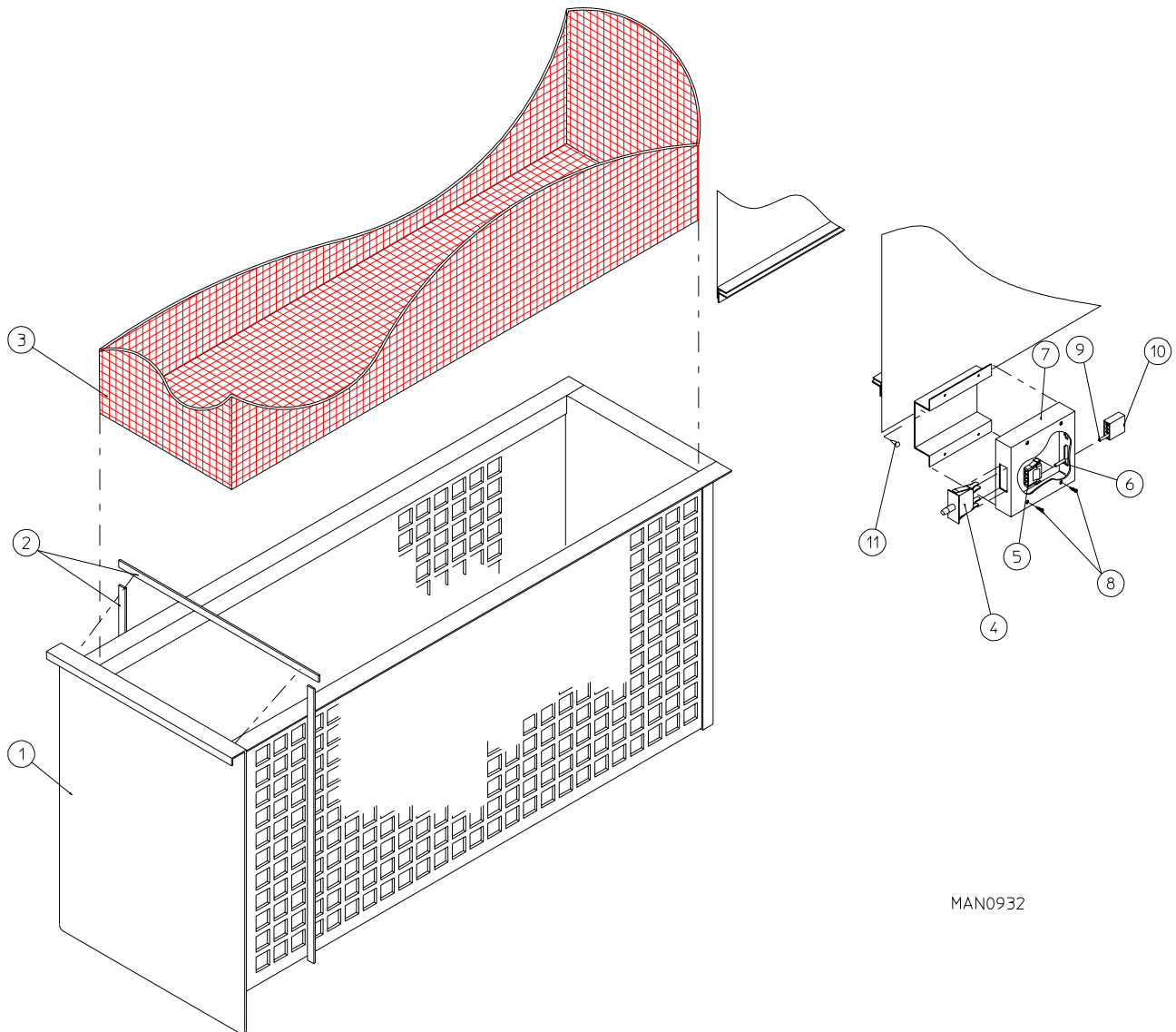
<u>Illus. No.</u>	<u>Part No.</u>	<u>Qty.</u>	<u>Description</u>
1	826046	1	Tumbler (Basket) Assembly (for 2-Door Models)
	826017	1	Tumbler (Basket) Assembly (for 1-Door Models)
2	821215	2	Drive Wheel Assembly
3	180007	2	1-1/2" Trantorque
4	170511	2	1/8-27 N.P.T. Grease Fitting
5	150620	4	1/2-13 x 2-1/2" Hex Head Machine Bolt
6	153011	4	9/16" Flat Washer
7	880880	2	1-1/2" Pillow Block Bearing with Grease Fitting (includes illus. nos. 4 and 7)
8	152011	2	1/2-13 Hex Nut
9	150609	2	1/2-13 x 4-1/2" Hex Head Machine Bolt
10	153011	4	9/16" Flat Washer
11	153026	4	1/2" Lock Washer
12	152011	4	1/2-13 Hex Nut
13	334057	1	Idler Shaft



MAN1021

<u>Illus. No.</u>	<u>Part No.</u>	<u>Qty.</u>	<u>Description</u>
1*	-----	1	Tumbler (Basket) Retaining Wheel (Cover/Guard) (refer to appropriate Front Panel Assembly or Rear Panel Assembly)
2	150301	4	#8-18 x 7/16" Phillips Pan Head TEK Screw
3	820566	1	Tumbler (Basket) Retaining Wheel Assembly
4	152004	1	5/16-18 Hex Nut
5	150509	1	5/16-18 x 3" Hex Head Machine Bolt
6	153002	1	5/16" Lock Washer
7	153001	1	5/16" Flat Washer

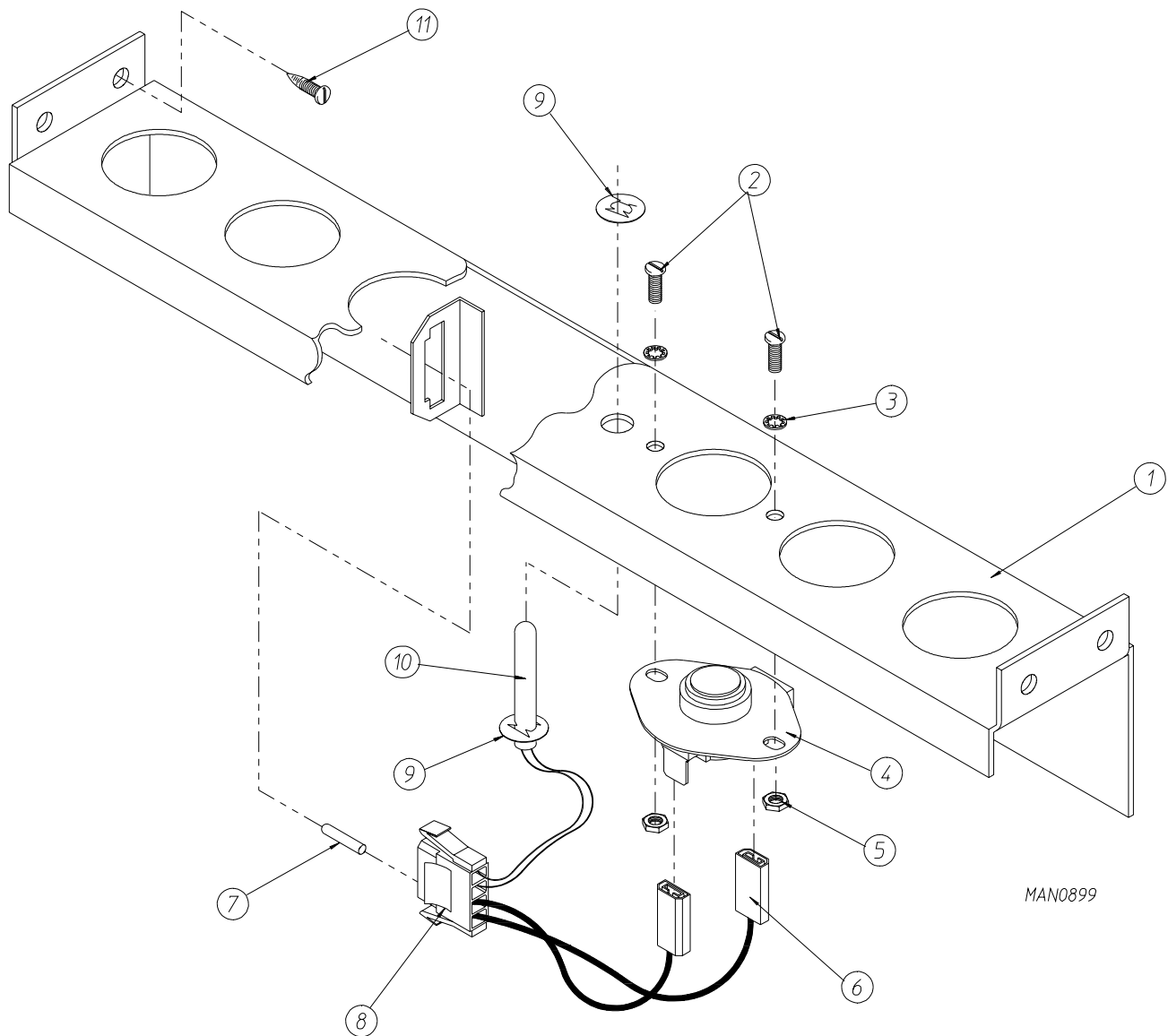
* Specify color when ordering.



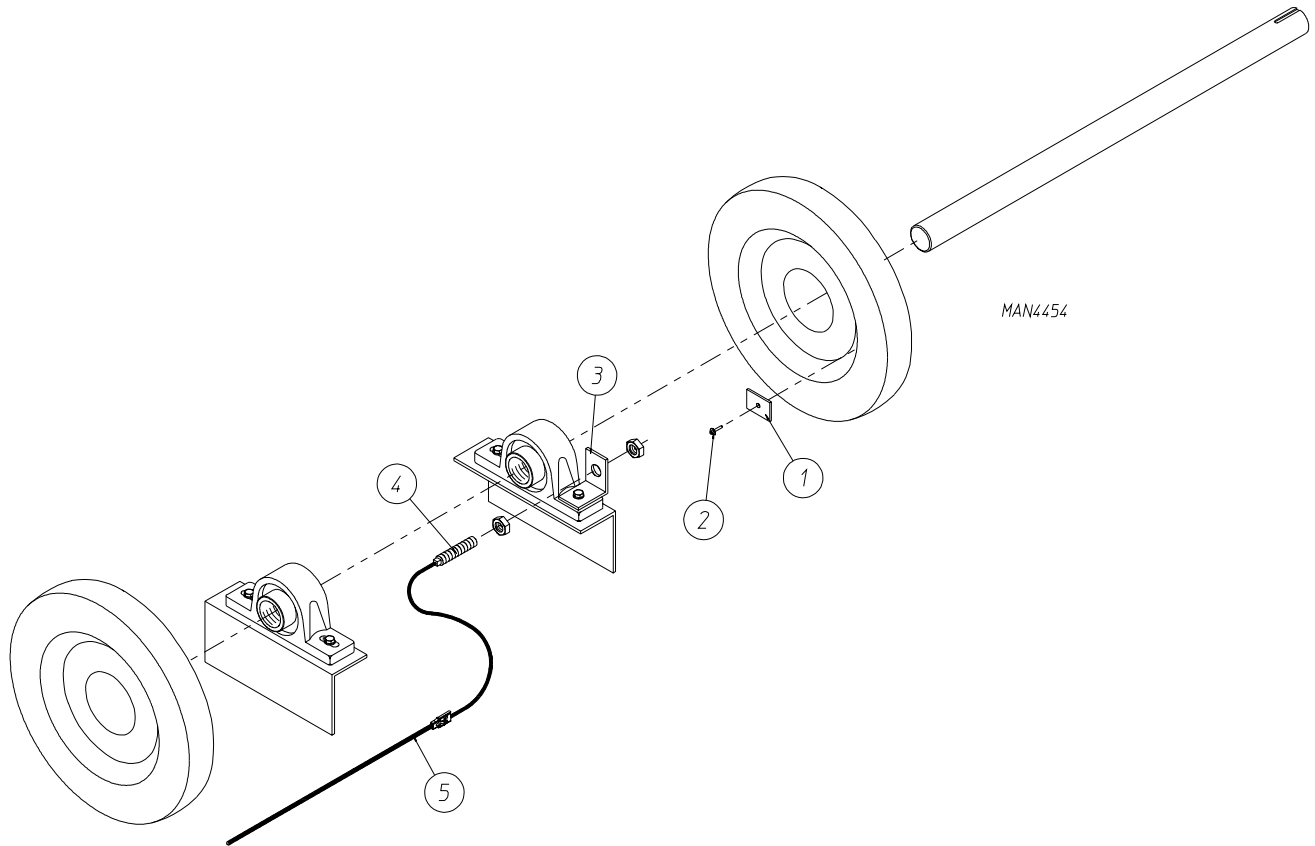
MAN0932

Illus. No.	Part No.	Qty.	Description
1*	881497	1	Lint Drawer Assembly Complete (includes illus. nos. 1 and 2)
2	117605	7	Neoprene Sponge Tape (sold by the foot)
3	823004	1	Lint Screen Assembly
	827104	1	Lint Screen Assembly (fine mesh) - <i>Optional</i>
4	122116	1	Lint Drawer Switch ONLY
5	122605	2	4-Pin Socket Connector ONLY
6	122701	4	Socket Terminal ONLY
	122801	1	Pin/Socket Extraction Tool
7	800264	1	Lint Drawer Switch Box Assembly Complete (includes illus. nos. 4 through 7)
	304034	1	Lint Drawer Switch Box Cover ONLY
8	150301	4	#8-18 x 7/16" Phillips Pan Head TEK Screw
9	122700	4	Pin Terminal ONLY
10	122604	2	4-Pin Connector ONLY
11	150301	2	#8-18 x 7/16" Phillips Pan Head TEK Screw

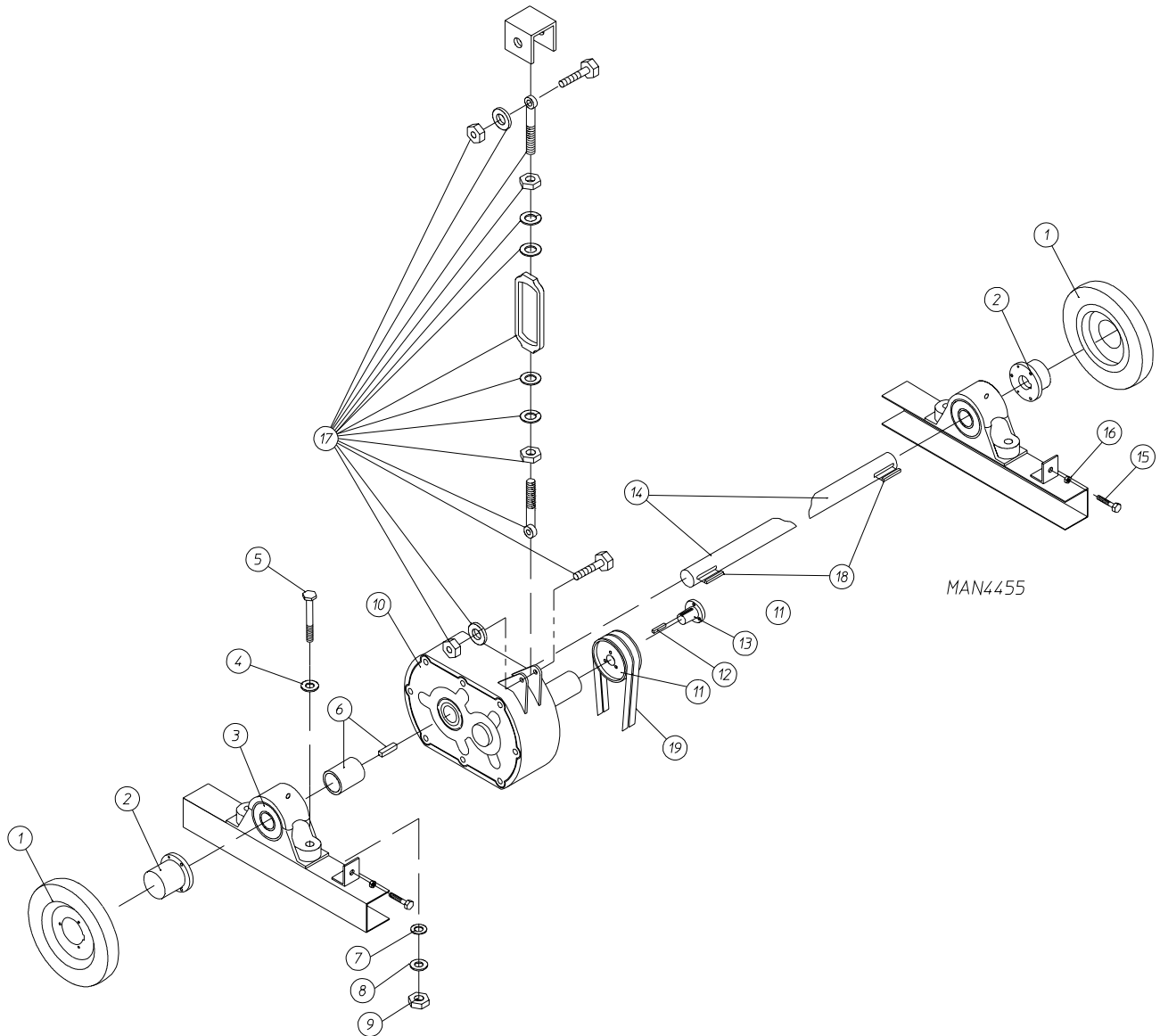
* Specify color when ordering.



Illus. No.	Part No.	Qty.	Description
1	820967	1	Sensor Bracket Assembly
	820968	1	Sensor Bracket Assembly Complete (includes illus. nos. 1 through 10)
2	150000	2	#6-32 x 1/4" Slotted Round Head Machine Screw
3	153010	2	#6 Star Washer
4	130112	1	225° Thermostat
5	152000	2	#6-32 Hex Nut
6	121028	2	1/4" x .032 Insulated Terminal
7	122701	4	Socket Terminal ONLY
	122801	1	Pin/Socket Extraction Tool
8	122605	1	4-Pin Socket Connector (female)
9	154007	2	1/4" Push-On Fastener
10	880251	1	1/4" Temperature Sensor Probe Assembly (includes illus. nos. 6 through 10)
11	150301	4	#8-18 x 7/16" Phillips Pan Head TEK Screw



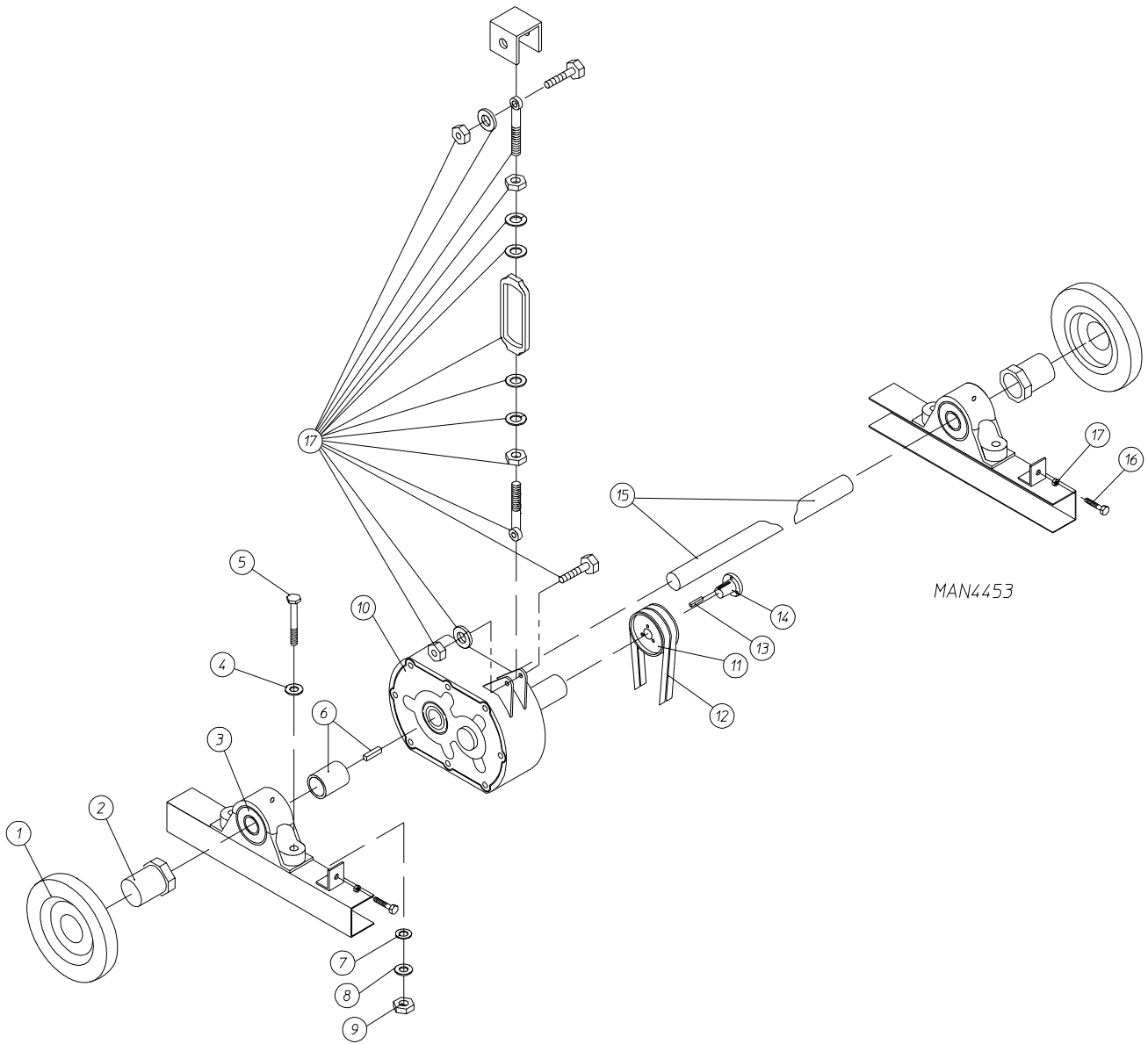
Illus. No.	Part No.	Qty.	Description
1	-----	1	Tumbler Sensor Magnet
2	154200	1	5/32" Pop Rivet
3	332750	1	Rotational Sensor Mounting Bracket
4	881383	1	Rotational Sensor Assembly
5	881384	1	Rotational Sensor Harness



 for models mfd. as of April 20, 1999

<u>Illus. No.</u>	<u>Part No.</u>	<u>Qty.</u>	<u>Description</u>
1	821465	2	11" Drive Wheel Assembly
2	101127	2	SK x 1-1/2" Taper Lock Bushing
3	880880	2	1-1/2" Pillow Block Bearing with Grease Fitting
	170511	2	1/8-27 N.P.T. Grease Fitting
4	153011	4	9/16" Flat Washer
5	150620	4	1/2-13 x 2-1/2" Hex Head Machine Bolt
6	101023	1	1-1/2" Taper Bushing (for models mfd. as of September 9, 1995)
	101020	1	1-1/2" Straight Bushing (for models mfd. prior to September 9, 1995)
7	153011	4	9/16" Flat Washer
8	153026	4	1/2" Lock Washer
9	152011	4	1/2-13 Hex Nut
10	101019	1	Taper Bore Speed Reducer (for models mfd. as of September 9, 1995)
	101018	1	Speed Reducer (for models mfd. prior to September 9, 1995)
11	101177	1	2B x 5.8 Pulley
12	100709	1	3/8" x 3/8" x 2" Key
13	101196	1	SDS x 1-5/8" Bushing
14	334058	1	Tumbler Drive Shaft
15	150609	2	1/2-13 x 4-1/2" Hex Head Machine Bolt
16	152011	2	1/2-13 Hex Nut
17	154395	1	Gear Reducer Turnbuckle
18	100710	2	3/8" x 3/8" x 3" Key
19*	100152	1	AX-25 V-Belt (for 60 Hz models Only)
	100160	1	AP-26 V-Belt (for 50 Hz models Only)

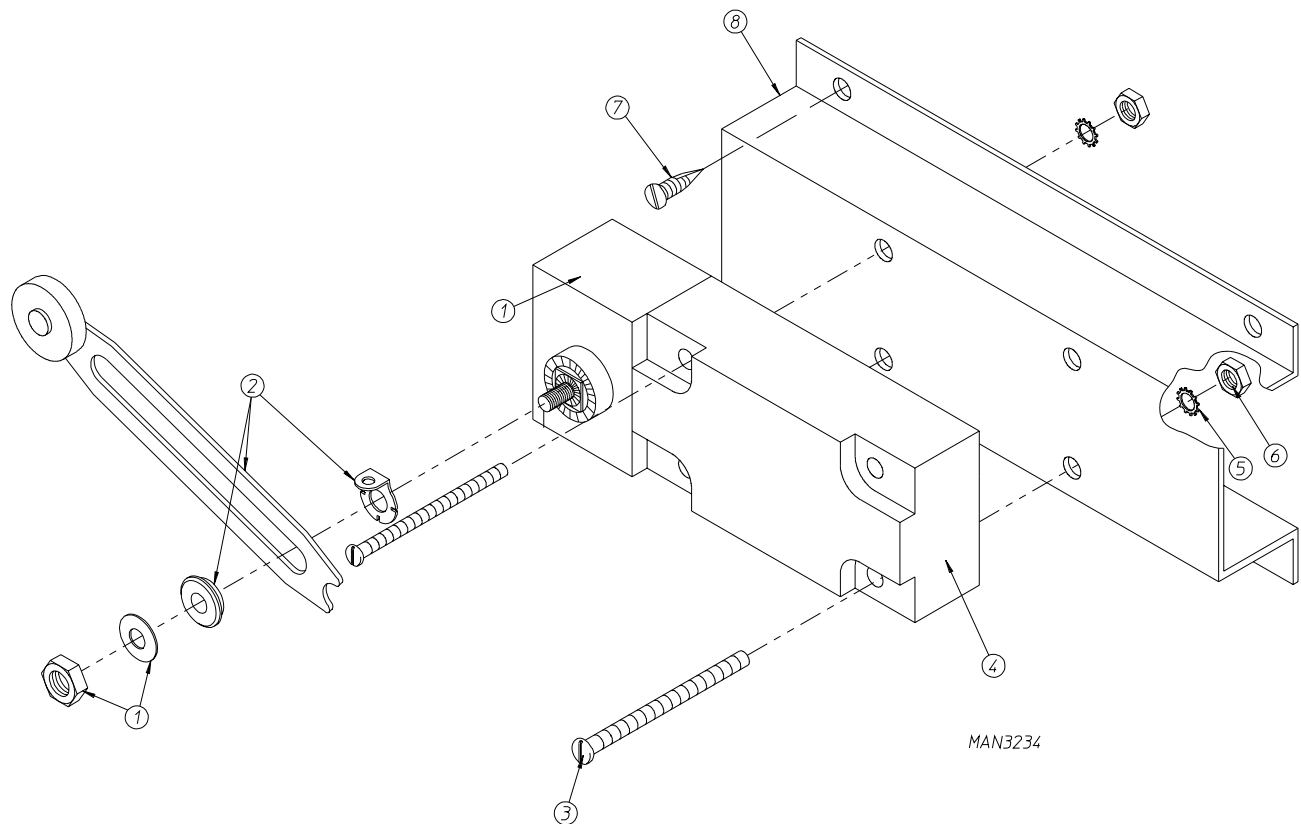
* Replace in matched sets (both belts).



 for models mfd. prior to April 20, 1999

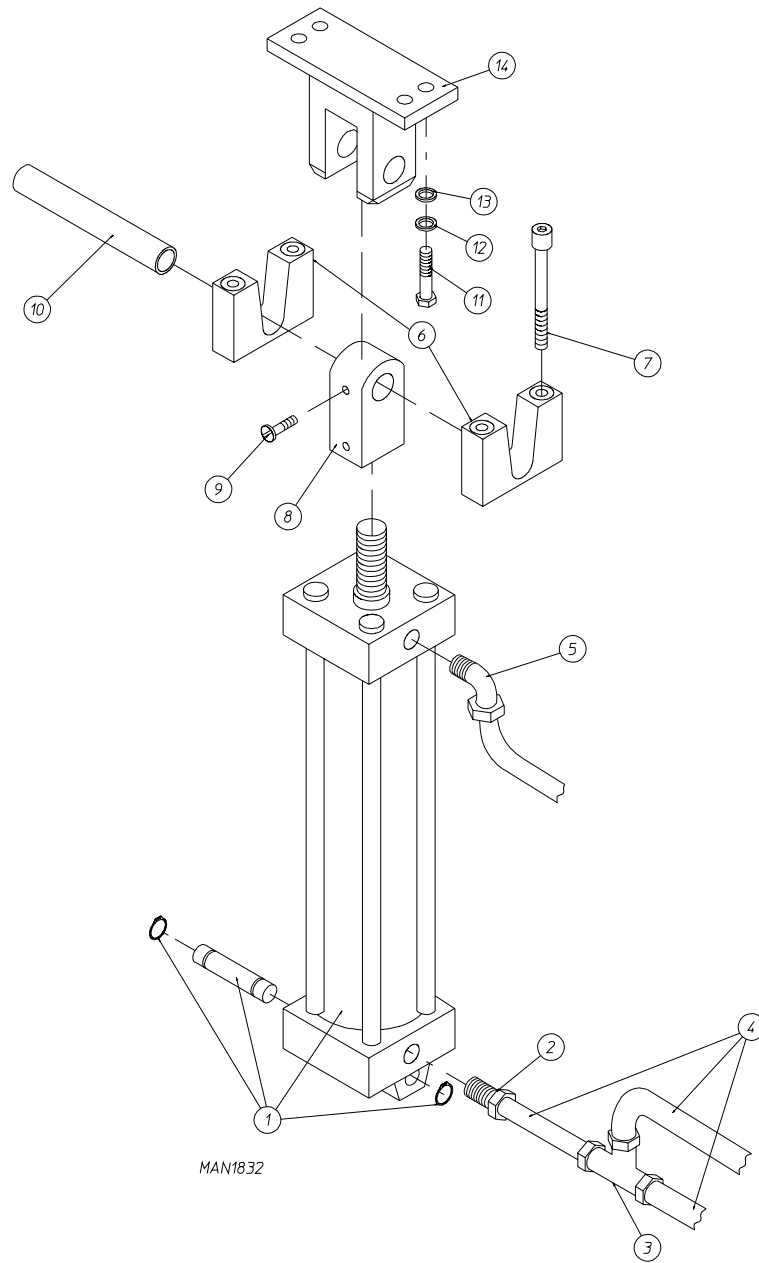
<u>Illus. No.</u>	<u>Part No.</u>	<u>Qty.</u>	<u>Description</u>
1	821215	2	11" Drive Wheel Assembly
2	180007	2	1-1/2" Trantorque
3	880880	2	1-1/2" Pillow Block Bearing with Grease Fitting
	170511	2	1/8-27 N.P.T. Grease Fitting
4	153011	4	9/16" Flat Washer
5	150620	4	1/2-13 x 2-1/2" Hex Head Machine Bolt
6	101023	1	1-1/2" Taper Bushing (for models mfd. as of September 9, 1995)
	101020	1	1-1/2" Straight Bushing (for models mfd. prior to September 9, 1995)
7	153011	4	9/16" Flat Washer
8	153026	4	1/2" Lock Washer
9	152011	4	1/2-13 Hex Nut
10	101019	1	Taper Bore Speed Reducer (for models mfd. as of September 9, 1995)
	101018	1	Speed Reducer (for models mfd. prior to September 9, 1995)
11	101177	1	2B x 5.8 Pulley
12*	100152	1	AX-25 V-Belt (for 60 Hz models Only)
	100160	1	AP-26 V-Belt (for 50 Hz models Only)
13	100709	1	3/8" x 3/8" x 2" Key
14	101196	1	SDS x 1-5/8" Bushing
15	334058	1	Tumbler Drive Shaft
16	150609	2	1/2-13 x 4-1/2" Hex Head Machine Bolt
17	152011	2	1/2-13 Hex Nut
18	154395	1	Gear Reducer Turnbuckle

* Replace in matched sets (both belts).

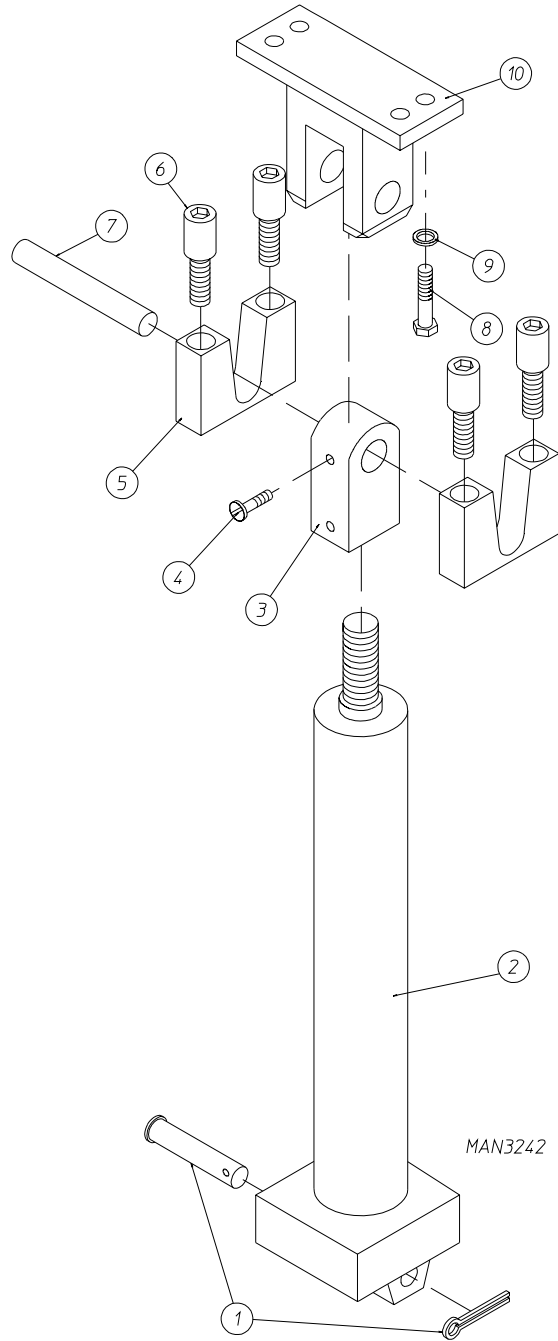


<u>Illus. No.</u>	<u>Part No.</u>	<u>Qty.</u>	<u>Description</u>
1	881252	1	Tilt Switch Assembly Complete (includes illus. nos. 1, 2, and 4)
	122365	1	Limit Switch Rotary Head
2	122369	1	Tilt Switch Arm
3	150211	4	#10-32 x 2" Phillips Pan Head Machine Screw
4	122367	1	Tilt Switch Body
5	153009	4	#10 Star Washer
6	152008	4	#10-32 Hex Nut
7	150309	4	#10-16 x 1/2" Hex Head TEK Crimptite Screw
8	332794	1	Tilt Switch Bracket

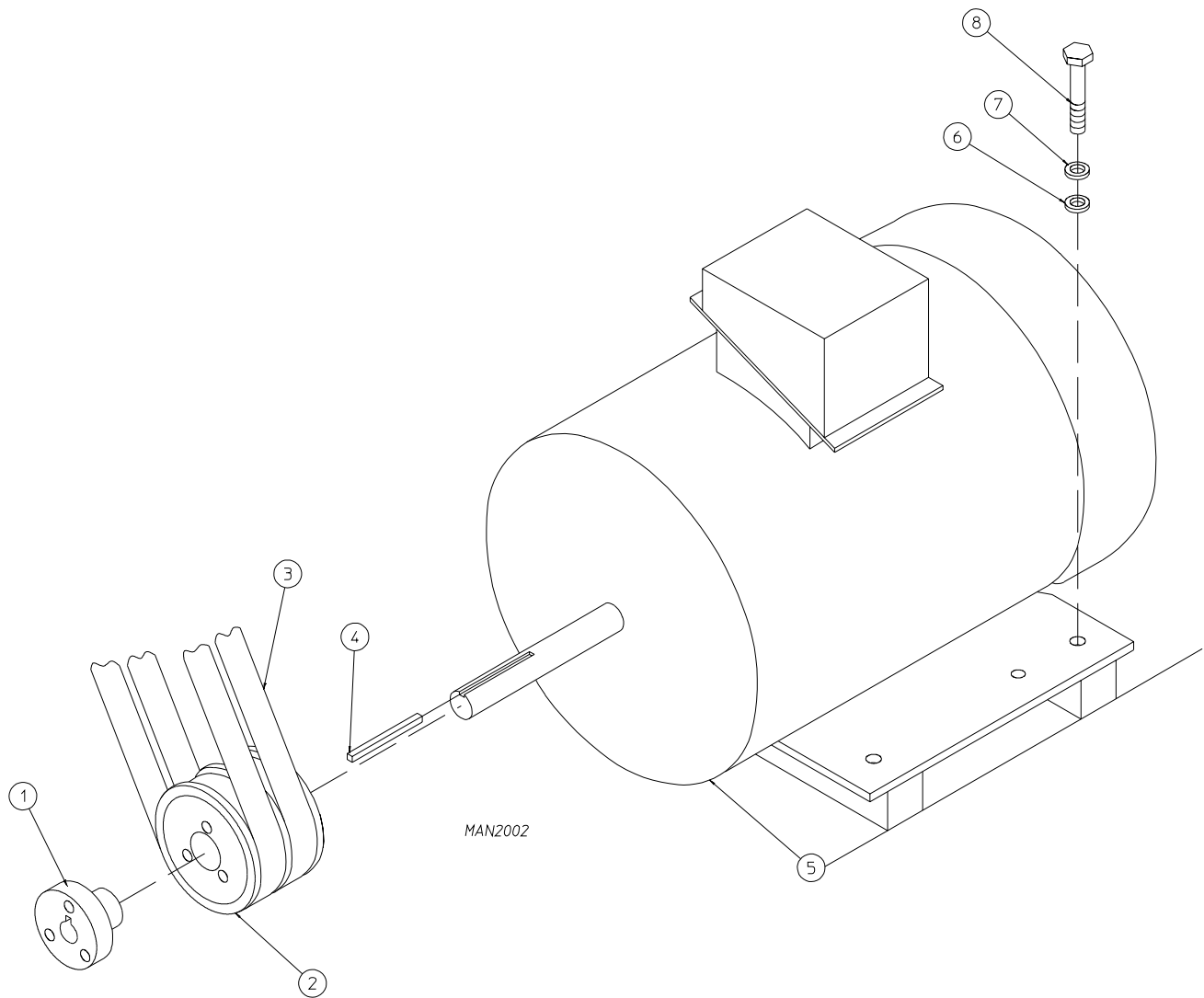
NOTE: One (1) assembly for 1-Way Tilt Models.
Two (2) assemblies for 2-Way Tilt Models.



<u>Illus. No.</u>	<u>Part No.</u>	<u>Qty.</u>	<u>Description</u>
1	100559	1	5" Bore 14" Stroke Piston
2	143283	1	3/8" Poly x 3/8" M.P.T. Connector
3	143221	1	3/8" Brass Poly Tee
4	143120	20	3/8" Poly Tubing (sold by the foot)
5	143213	1	3/8" Poly x 3/8" M.P.T. Brass Elbow
6	334309	2	Cylinder Pin Nylon Bumper
7	150435	4	3/8-16 x 3" Socket Head Cap Screw
8	100553	1	Rod Eye
9	154315	2	1/4-20 x 1" Socket Head Set Screw
10	331543	1	1" Dia. Pin
11	150599	4	1/2-20 x 1 1/4" Hex Head Machine Bolt
12	153026	4	1/2" Lock Washer
13	153011	4	9/16" Flat Washer
14	881170	1	Clevis Assembly

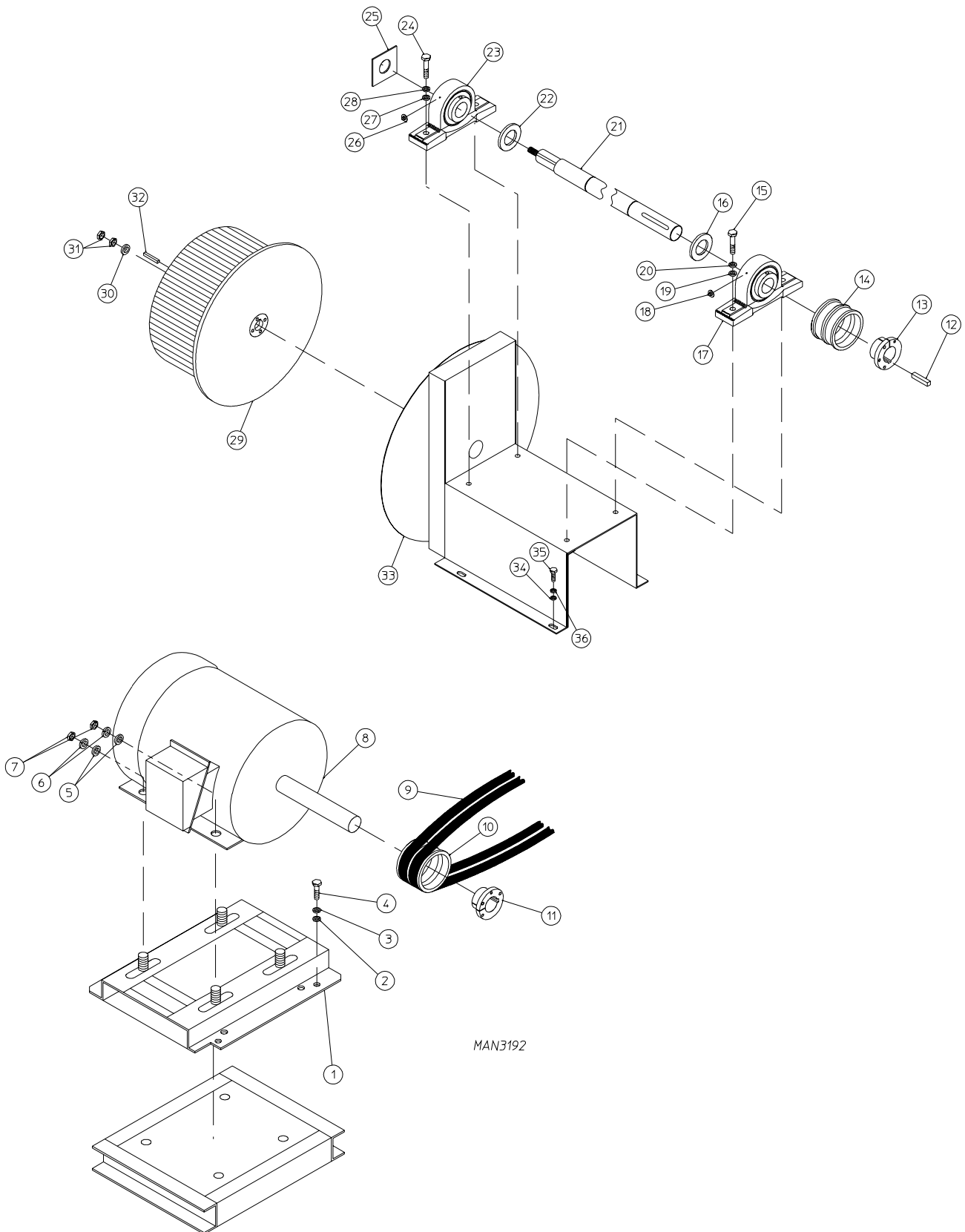


<u>Illus. No.</u>	<u>Part No.</u>	<u>Qty.</u>	<u>Description</u>
1	100487	1	3/4" Dia. Pin (with Cotter Pin)
2	881529	1	Post Assembly
3	100553	1	Rod Eye
4	154315	2	1/4-20 x 1" Socket Head Set Screw
5	334309	2	Cylinder Pin Nylon Bumper
6	150435	4	3/8-16 x 3" Socket Head Cap Screw
7	331543	1	Rod Eye Pin
8	150599	4	1/2-20 x 1-1/8" Hex Head Bolt
9	153026	4	1/2" Lock Washer
10	881170	1	Clevis Assembly



<u>Illus. No.</u>	<u>Part No.</u>	<u>Qty.</u>	<u>Description</u>
1	101144	1	SH x 1-1/8" Bushing
2	101187	1	2B x 3.6 Motor Pulley (for 60 Hz models Only)
	101195	1	2B x 4.4 Motor Pulley (for 50 Hz models Only)
3*	100152	2	AX-25 V-Belt (for 60 Hz models Only)
	100160	2	AX-26 V-Belt (for 50 Hz models Only)
4	100705	1	3/16" x 3/16" x 1-3/8" Key
5	181020	1	5 HP Multi-Voltage (190-208/230/380-460 volt) 3ø 50/60 Hz
6	153004	4	3/8" Flat Washer
7	153005	4	3/8" Lock Washer
8	150600	4	3/8" x 1-1/2" Hex Head Machine Bolt

* Replace in matched sets (both belts).

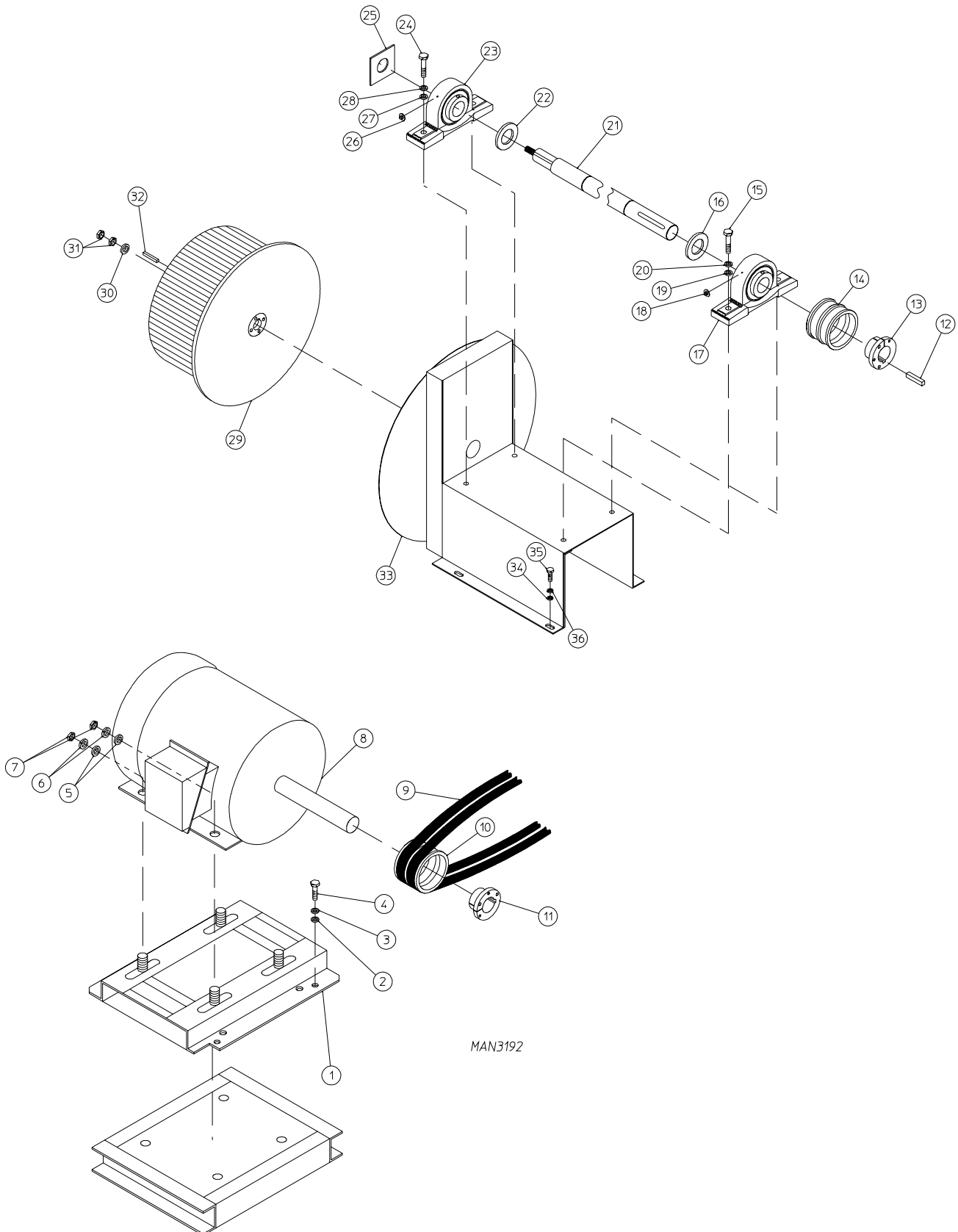


MAN3192

for Gas Models ONLY

<u>Illus. No.</u>	<u>Part No.</u>	<u>Qty.</u>	<u>Description</u>
1	100062	1	Motor Base (213T Frame)
2	153004	4	3/8" Flat Washer
3	153005	4	3/8" Lock Washer
4	150617	4	3/8-16 x 1" Hex Head Machine Bolt
5	153004	4	3/8" Flat Washer
6	153005	4	3/8" Lock Washer
7	152005	4	3/8-16 Hex Nut
8	100087	1	15 HP 208-230/380/460 Volt 3 ϕ 60 Hz Motor and 190-220/380-416 Volt 3 ϕ 50 Hz Motor
9*	100161	2	BX-47 V-Belt
10	101195	1	2B x 4.4 Pulley (for 60 Hz models Only)
	101202	1	2B x 5.2 Pulley (for 50 Hz models Only)
11	101152	1	SH x 1-3/8" Bushing (for 60 Hz models Only)
	101194	1	SDS x 1-3/8" Bushing (for 50 Hz models Only)
12	100717	1	5/16" x 5/16" x 2-3/4" Key
13	101184	1	SK x 1-3/8" Bushing
14	101201	1	2B x 9.4 Pulley
15	150600	2	3/8-16 x 1-1/2" Hex Head Machine Bolt
16	100802	1	1-3/8" Retaining Ring (for models mfd. prior to November 7, 1996)
17	880879	1	1-3/8" Shrouded Pillow Block Bearing (includes illus. nos. 17 and 18)
18	170511	1	Grease Fitting
19	153004	2	3/8" Flat Washer
20	153005	2	3/8" Lock Washer
21	332703	1	Fan (Impellor/Blower) Shaft
22	100802	1	1-3/8" Retaining Ring (for models mfd. prior to November 7, 1996)
23	880879	1	1-3/8" Shrouded Pillow Block Bearing (includes illus. nos. 23 and 26)
24	150600	2	3/8-16 x 1-1/2" Hex Head Machine Bolt
25	116014	1	Felt Seal
26	170511	1	Grease Fitting
27	153004	2	3/8" Flat Washer
28	153005	2	3/8" Lock Washer
29	100653	1	18" Dia. Squirrel Cage Fan
30	153065	1	Fan Washer
31	152006	2	1/2-20 Left Hand Jam Nut
32	100704	1	1/4" x 1/4" x 1-3/4" Key
33	881503	1	Tilt Fan Shaft Bearing Mount Assembly
34	153004	4	3/8" Flat Washer
35	150617	4	3/8-16 x 1" Hex Head Machine Bolt
36	153005	4	3/8" Lock Washer

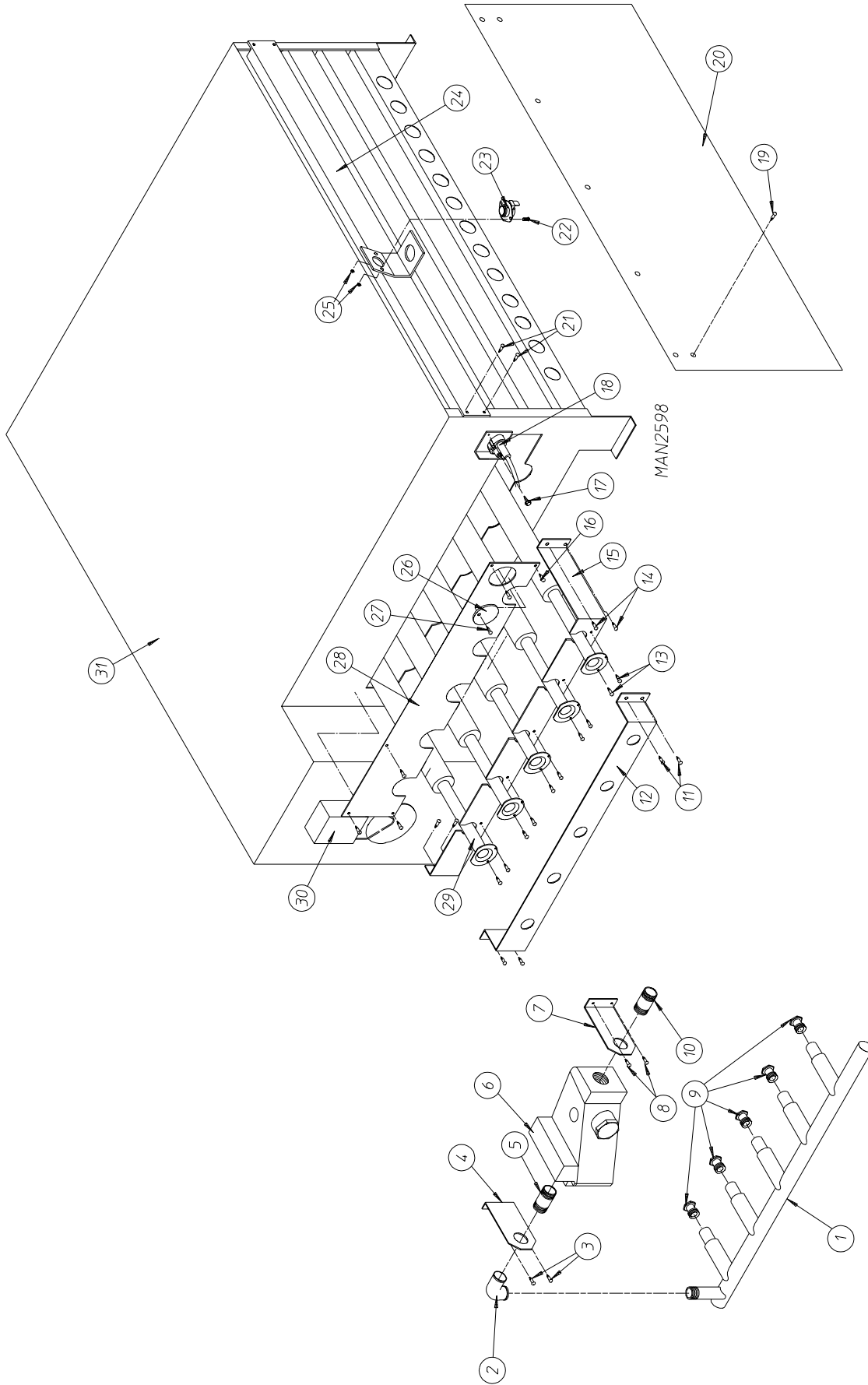
* Replace in matched sets (both belts).



for Steam Models ONLY

<u>Illus. No.</u>	<u>Part No.</u>	<u>Qty.</u>	<u>Description</u>
1	181007	1	Motor Base (256T Frame)
2	153011	4	1/2" Flat Washer
3	153026	4	1/2" Lock Washer
4	150605	4	1/2-13 x 1-1/2" Hex Head Machine Bolt
5	153004	4	3/8" Flat Washer
6	153005	4	3/8" Lock Washer
7	152005	4	3/8-16 Hex Nut
8	181006	1	25 HP 208-230/380/460 Volt 3ø 60 Hz Motor and 190-220/380-416 Volt 3ø 50 Hz Motor
9*	100128	2	BX-50 V-Belt
10	101167	1	2B x 6.0 Pulley (for 60 Hz models Only)
	101185	1	2B x 6.2 Pulley (for 50 Hz models Only)
11	101196	1	SDS x 1-5/8" Bushing
12	100709	1	3/8" x 3/8" x 3" Key
13	101150	1	SK x 1-1/2" Bushing
14	101145	1	2B x 11.0 Pulley (for 60 Hz models Only)
	101201	1	2B x 9.4 Pulley (for 50 Hz models Only)
15	150606	2	1/2-13 x 2" Hex Head Machine Bolt
16	100804	1	1-1/2" Retaining Ring
17	880942	1	1-1/2" Shrouded Pillow Block Bearing (includes illus. nos. 17 and 18)
18	170511	1	Grease Fitting
19	153011	2	1/2" Flat Washer
20	153026	2	1/2" Lock Washer
21	334206	1	Fan (Impellor/Blower) Shaft
22	100804	1	1-1/2" Retaining Ring
23	880942	1	1-1/2" Shrouded Pillow Block Bearing (includes illus. nos. 23 and 26)
24	150606	2	1/2-13 x 2" Hex Head Machine Bolt
25	116014	1	Felt Seal
26	170511	1	Grease Fitting
27	153011	2	1/2" Flat Washer
28	153026	2	1/2" Lock Washer
29	100653	1	18" Dia. Squirrel Cage Fan
30	153065	1	Fan Washer
31	152006	2	1/2-20 Left Hand Jam Nut
32	100704	1	1/4" x 1/4" x 1-3/4" Key
33	881513	1	Tilt Fan (Impellor/Blower) Shaft Bearing Mount Assembly
34	153004	6	3/8" Flat Washer
35	153005	6	3/8" Lock Washer
36	150617	6	3/8-16 x 1" Hex Head Machine Bolt

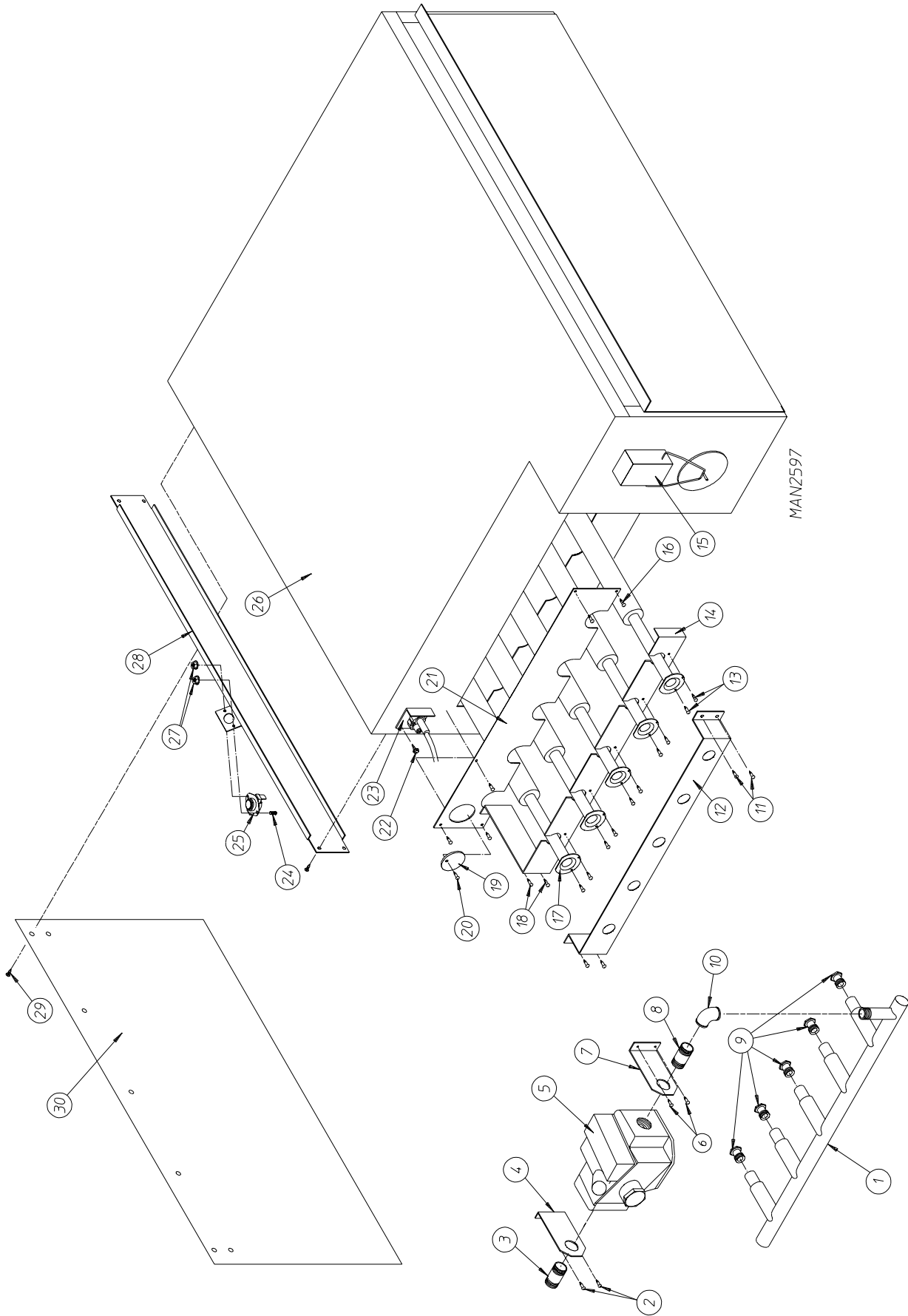
* Replace in matched sets (both belts).



<u>Illus. No.</u>	<u>Part No.</u>	<u>Qty.</u>	<u>Description</u>
1	141241	1	5-Port Front Manifold
2	142548	1	1" x 90° Elbow
3	150309	2	#10-16 x 1/2" Hex Head TEK Crimptite Screw
4	334085	1	Pipe Bracket
5	142724	1	1" x 2" Long Nipple
6	140017	1	1" 24 VAC Natural Gas Valve
	140018	1	1" 24 VAC Gas Valve L.P. Conversion Kit
7	334085	1	Pipe Bracket
8	150309	2	#10-16 x 1/2" Hex Head TEK Crimptite Screw
9*	140834	5	#5 Burner Orifice (natural gas)
	140819	5	#30 Burner Orifice (L.P. [liquid propane])
10	142711	1	1" Close Nipple
11	150309	4	#10-16 x 1/2" Hex Head TEK Crimptite Screw
12	334086	1	Manifold Rest
13	150301	10	#8-18 x 7/16" Phillips Pan Head TEK Screw
14	150309	4	#10-16 x 1/2" Hex Head TEK Crimptite Screw
15	334083	1	Burner Tube Rest
16	150309	5	#10-16 x 1/2" Hex Head TEK Crimptite Screw
17	150309	2	#10-16 x 1/2" Hex Head TEK Crimptite Screw
18	880943	1	Direct Spark Ignition (DSI) Ignitor/Flame Probe Assembly (includes HV [high voltage] wire and connector)
	305410	1	Ignitor Gap Feeler Gauge ... Not Illustrated
	881934	1	High Voltage (HV) Wire with Installation Instructions Kit
19	150309	4	#10-16 x 1/2" Hex Head TEK Crimptite Screw
20	334226	1	Burner Baffle
21	150309	2	#10-16 x 1/2" Hex Head TEK Crimptite Screw
22	150001	2	#6-32 x 1/2" Phillips Round Head Machine Screw
23	130201	1	330° Manual Hi-Limit Thermostat (for models mfd. as of May 26, 1998)
	130401	1	330° Automatic Hi-Limit Thermostat (for models mfd. prior to May 26, 1998)
24	826021	1	Hi-Limit Mounting Bracket
25	151000	2	#6-32 Pal Nut
26	331290	1	Sight Hole Disc
27	150309	1	#10-16 x 1/2" Hex Head TEK Crimptite Screw
28	332597	1	Burner Box Cover Plate
29	141123	5	Burner Tube
30	-----	1	Sail Switch (refer to Sail Switch Assembly on page 68)
31	881515	1	Front Burner Box ONLY
	881517**	1	Natural Gas Front Burner Box Assembly Complete Less Orifices (includes illus. nos. 1 through 8 and 10 through 31)
	881518**	1	L.P. Gas Front Burner Box Assembly Complete Less Orifices (includes illus. nos. 1 through 8 and 10 through 31)
	881011*	1	ADG-310 DSI L.P. Conversion Kit (includes orifices)

* Consult factory for elevations over 2,000 feet.

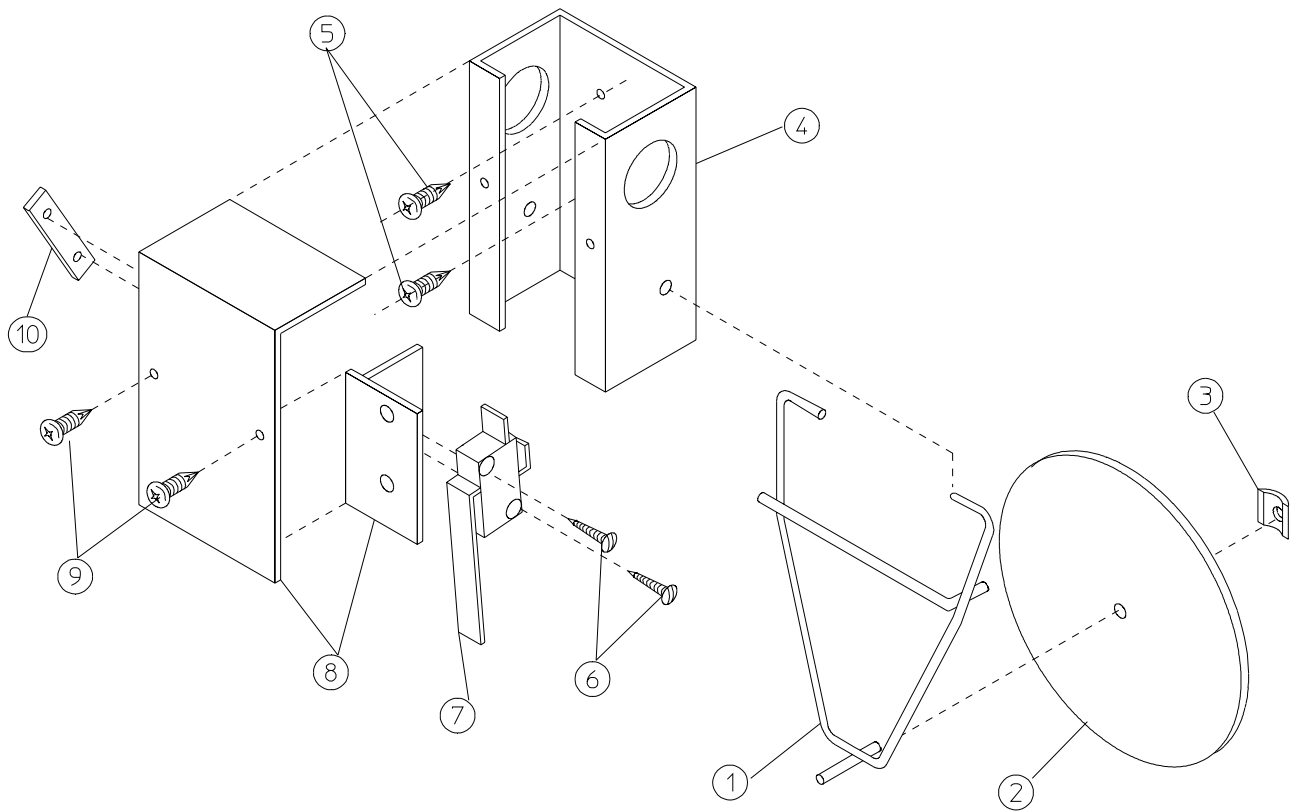
** Orifices are not included and **must be** ordered separately.



<u>Illus. No.</u>	<u>Part No.</u>	<u>Qty.</u>	<u>Description</u>
1	141242	1	5 Port Rear Manifold
2	150309	2	#10-16 x 1/2" Hex Head TEK Crimptite Screw
3	142711	1	1" Close Nipple
4	334085	1	Pipe Bracket
5	140017	1	1" 24 VAC Natural Gas Valve
	140018	1	1" 24 VAC Gas Valve L.P. Conversion Kit
6	150309	2	#10-16 x 1/2" Hex Head Crimptite Screw
7	334085	1	Pipe Bracket
8	142724	1	1" x 2" Nipple
9*	140834	5	#5 Burner Orifice (natural gas)
	140819	5	#30 Burner Orifice (L.P. [liquid propane])
10	142548	1	1" x 90° Elbow
11	150309	4	#10-16 x 1/2" Hex Head TEK Crimptite Screw
12	334086	1	Manifold Rest
13	150301	10	#8-18 x 7/16" Phillips Pan Head TEK Screw
14	334084	1	Rear Burner Tube Rest
15	-----	1	Sail Switch (refer to Sail Switch Assembly on page 68)
16	150309	5	#10-16 x 1/2" Hex Head Crimptite Screw
17	141123	5	Burner Tube
18	150309	4	#10-16 x 1/2" Hex Head TEK Crimptite Screw
19	331290	1	Sight Hole Disc
20	150309	1	#10-16 x 1/2" Hex Head TEK Crimptite Screw
21	332597	1	Burner Box Cover Plate
22	150309	1	#10-16 x 1/2" Hex Head TEK Crimptite Screw
23	880943	1	Direct Spark Ignition (DSI) Ignitor/Flame Probe Assembly (includes HV [high voltage] wire and connector)
	305410	1	Ignitor Gap Feeler Gauge ... Not Illustrated
	881934	1	High Voltage (HV) Wire with Installation Instructions Kit
24	150001	2	#6-32 x 1/2" Phillips Round Head Machine Screw
25	130201	1	330° Manual Hi-Limit Thermostat (for models mfd. as of May 26, 1998)
	130401	1	330° Automatic Hi-Limit Thermostat (for models mfd. prior to May 26, 1998)
26	881516	1	Rear Burner Box ONLY
	881519**	1	Natural Gas Rear Burner Box Assembly Complete Less Orifices (includes illus. nos. 1 through 8 and 10 through 30)
	881520**	1	L.P. Gas Rear Burner Box Assembly Complete Less Orifices (includes illus. nos. 1 through 8 and 10 through 30)
27	151000	2	#6-32 Pal Nut
28	826021	1	Hi-Limit Mounting Bracket
29	150309	7	#10-16 x 1/2" Hex Head TEK Crimptite Screw
30	334226	1	Burner Baffle
	881011	-	ADG-310 DSI L.P. Conversion Kit (includes orifices)

* Consult factory for elevations over 2,000 feet.

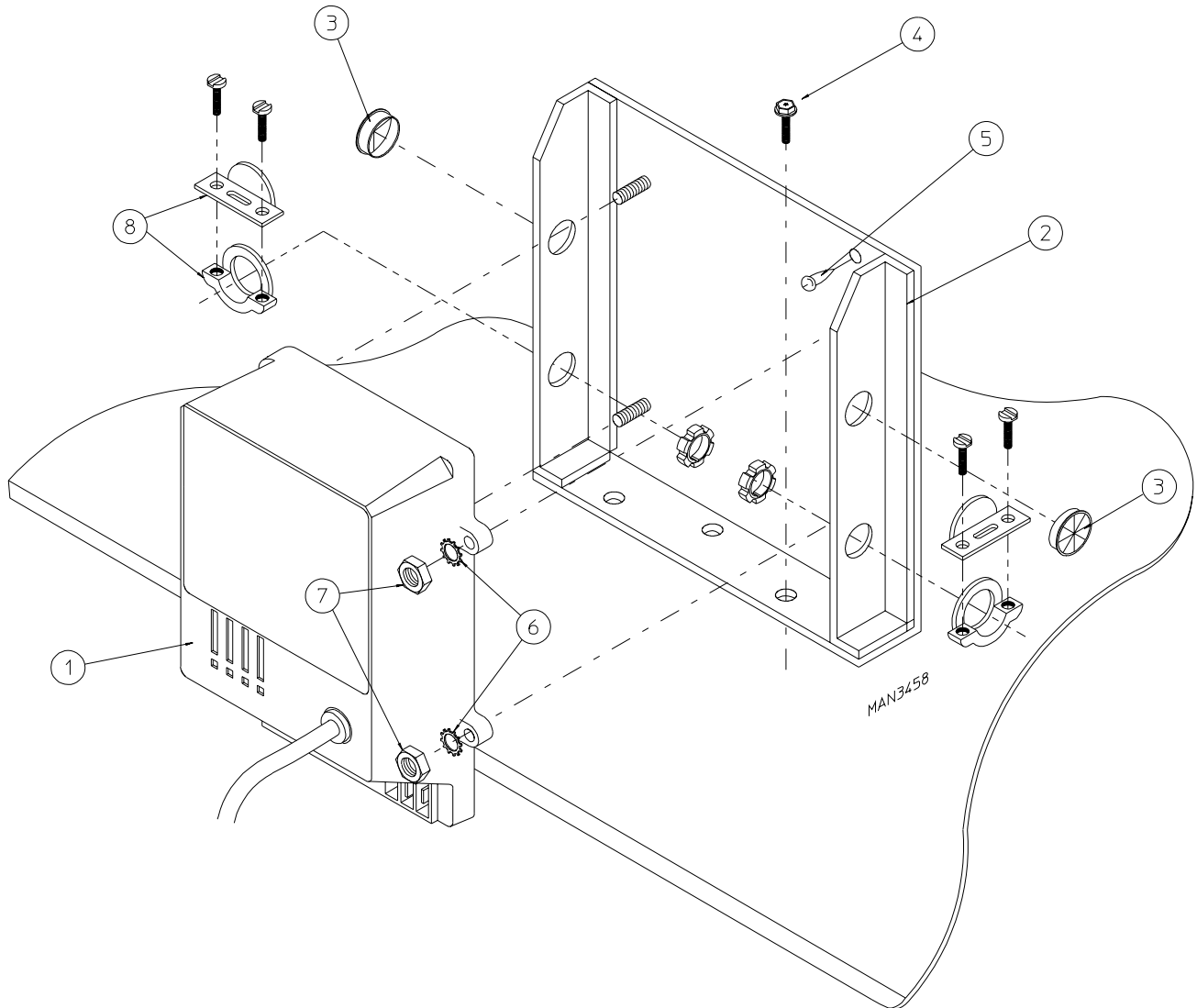
** Orifices are not included and **must be** ordered separately.



MAN0440

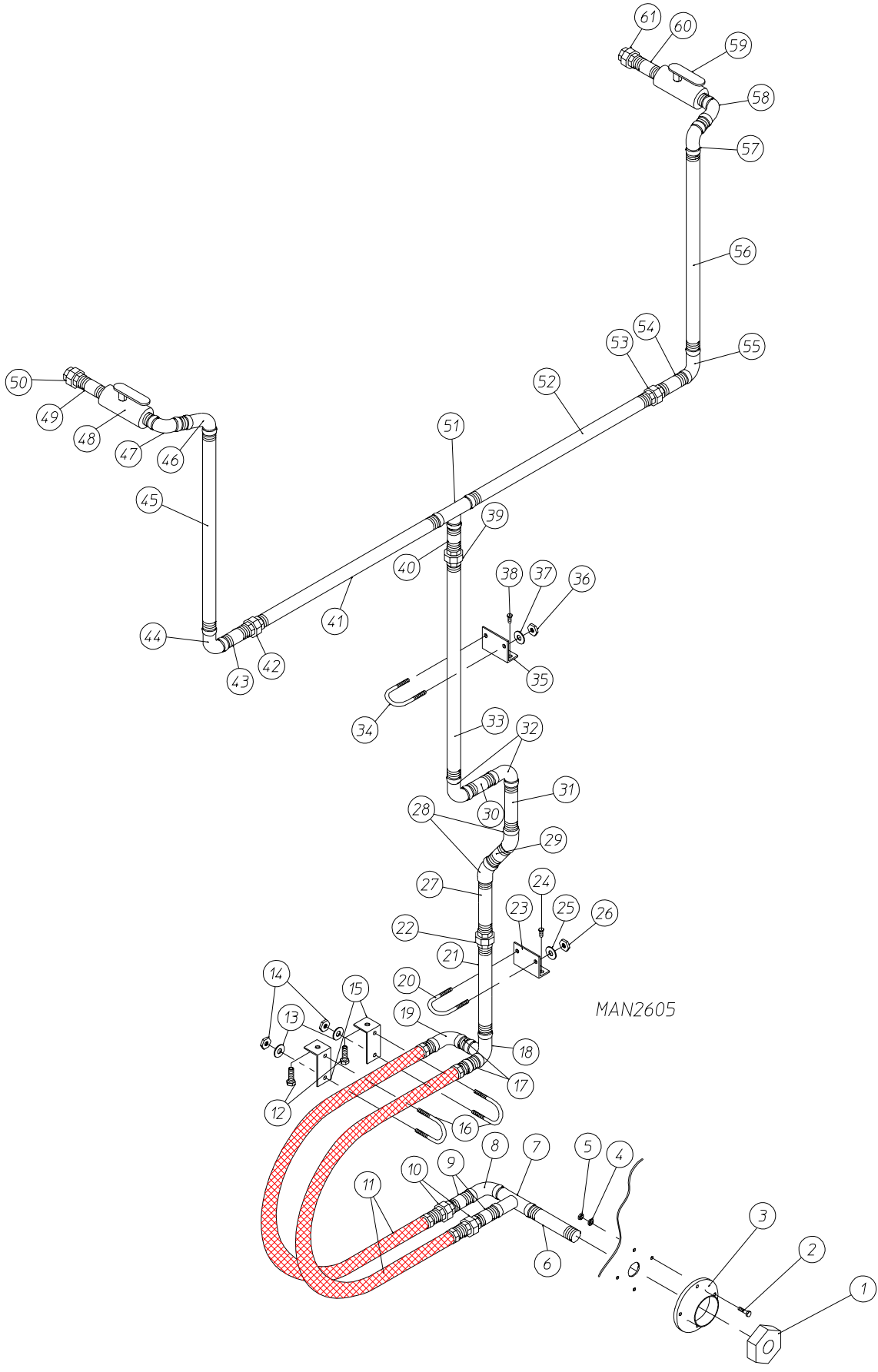
<u>Illus. No.</u>	<u>Part No.</u>	<u>Qty.</u>	<u>Description</u>
1	105500	1	Sail Switch Actuator Rod
2	332689	1	Sail Switch Damper (flat)
3	154002	1	1/8" Push-On Fastener
4	802800	1	Sail Switch Box with Cover and Bracket ONLY (includes illus. nos. 4 and 8)
	881376	1	Sail Switch Box Assembly Complete (includes illus. nos. 1 thru 4 and 6 through 10)
5	150309	2	#10-16 x 1/2" Hex Head Crimptite Screw
6	150303	2	#4 x 3/4" Pan Head "A" Machine Screw
7	122200	1	Sail Switch ONLY
8	802799	1	Sail Switch Box with Cover and Bracket ONLY
9	150309	2	#10-16 x 1/2" Hex Head TEK Crimptite Screw
10	154004	1	Twin Speed Nut

for Gas Models ONLY



<u>Illus. No.</u>	<u>Part No.</u>	<u>Qty.</u>	<u>Description</u>
1	880815	1	ADC DSI (Direct Spark Ignition) Module - 50/60 Hz
2	820100	1	DSI Module Mount Assembly ONLY
3	121400	2	Universal Bushing
4	150522	3	1/4-20 x 1/2" Hex Washer Head Machine Screw
5	150301	1	#8-18 x 7/16" Phillips Pan Head TEK Screw
6	153010	4	#6 Star Washer
7	152000	4	#6-32 Hex Nut
8	120102	2	3/8" Straight, 1/2" Knock-Out Connector

for models mfd. as of August 15, 1995



 for models mfd. as of August 15, 1995

<u>Illus. No.</u>	<u>Part No.</u>	<u>Qty.</u>	<u>Description</u>
1	142931	1	2" x 1-1/2" Double Tapped Bushing
2	150504	4	5/16-18 x 1" Hex Head Machine Bolt
3	142514	1	2" Floor Flange
4	153002	4	5/16" Lock Washer
5	152004	4	5/16-18 Hex Nut
6	142596	1	1-1/2" x 5" Nipple
7	142611	1	1-1/2" x 1-1/4" x 1/4" Tee
8	142522	1	1-1/4" x 90° Street Elbow
9	142725	2	1-1/4" x 2" Nipple
10	142558	2	1-1/4" Union
11	141416	2	1-1/4" x 48" Flex Hose (Non-Swivel Ends)
12	150511	4	1/4-20 x 1" Hex Head Machine Bolt
13	153002	4	5/16" Lock Washer
14	152004	4	5/16-18 Hex Nut
15	333073	2	Flex Hose Bracket
16	154351	2	1-1/2" U-Bolt
17	142914	2	1-1/2" to 1-1/4" Reducing Bushing
18	142845	1	1-1/2" Side Outlet Elbow
19	142522	1	1-1/4" x 90° Elbow
20	154351	1	1-1/2" U-Bolt
21	142568	1	1-1/2" x 8" Nipple
22	142603	1	1-1/2" Union
23	332533	1	Pipe Bracket
24	150309	2	#10-16 x 1/2" Hex Head TEK Crimptite Screw
25	153002	2	5/16" Lock Washer
26	152004	2	5/16-18 Hex Nut
27	142843	1	1-1/2" x 4" Nipple
28	142915	2	1-1/2" x 45° Elbow
29	142738	1	1-1/2" x 2" Nipple
30	142738	1	1-1/2" x 2" Nipple
31	142568	1	1-1/2" x 8" Nipple
32	142512	2	1-1/2" x 90° Elbow
33	142736	1	1-1/2" x 20" Nipple
34	154351	1	1-1/2" U-Bolt
35	332533	1	Pipe Bracket
36	152004	2	5/16-18 Hex Nut
37	153002	2	5/16" Lock Washer
38	150309	2	#10-16 x 1/2" Hex Head TEK Crimptite Screw
39	142603	1	1-1/2" Union
40	142827	1	1-1/2" x 2-1/2" Nipple

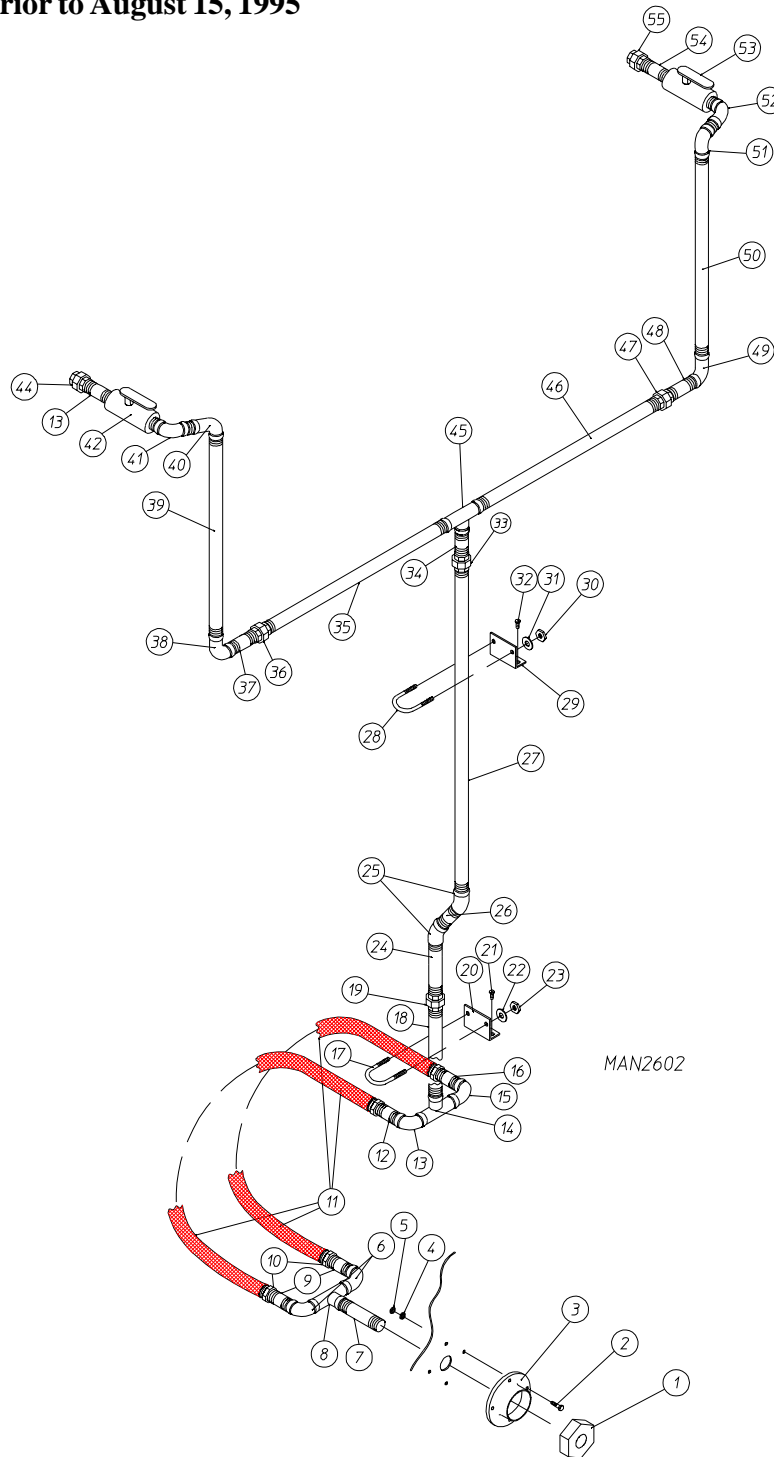
continued on page 72

for models mfd. as of August 15, 1995

continued from page 71

<u>Illus. No.</u>	<u>Part No.</u>	<u>Qty.</u>	<u>Description</u>
41	142842	1	1-1/4" x 19" Nipple
42	142558	1	1-1/4" Union
43	142725	1	1-1/4" x 2" Nipple
44	142554	1	1-1/4" x 90° Elbow
45	142554	1	1-1/4" x 18" Nipple
46	142728	1	1-1/4" to 1" Reducing Elbow
47	142844	1	1" x 45° Male Elbow
48	141302	1	1" Shut Off
49	142724	1	1" x 2" Nipple
50	142602	1	1" Union
51	142841	1	1-1/4" x 1-1/4" x 1-1/2" Tee
52	142842	1	1-1/4" x 19" Nipple
53	142558	1	1-1/4" Union
54	142725	1	1-1/4" x 2" Nipple
55	142554	1	1-1/4" x 90° Elbow
56	142575	1	1-1/4" x 18" Nipple
58	142844	1	1" x 45° Male Elbow
59	141302	1	1" Shut-Off
60	142724	1	1" x 2" Nipple
61	142602	1	1" Union

for models mfd. prior to August 15, 1995



<u>Illus. No.</u>	<u>Part No.</u>	<u>Qty.</u>	<u>Description</u>
1	142931	1	2" x 1-1/2" Double Tapped Bushing (for models mfd. as of April 13, 1995)
	881522	1	2" Floor Flange Replacement Kit (includes illus. nos. 1 and 3)
	142993	1	2-1/2" x 1-1/2" Double Tapped Bushing (for models mfd. prior to April 13, 1995)
2	150504	4	5/16-18 x 1" Hex Head Machine Bolt

continued on page 74

for models mfd. prior to August 15, 1995

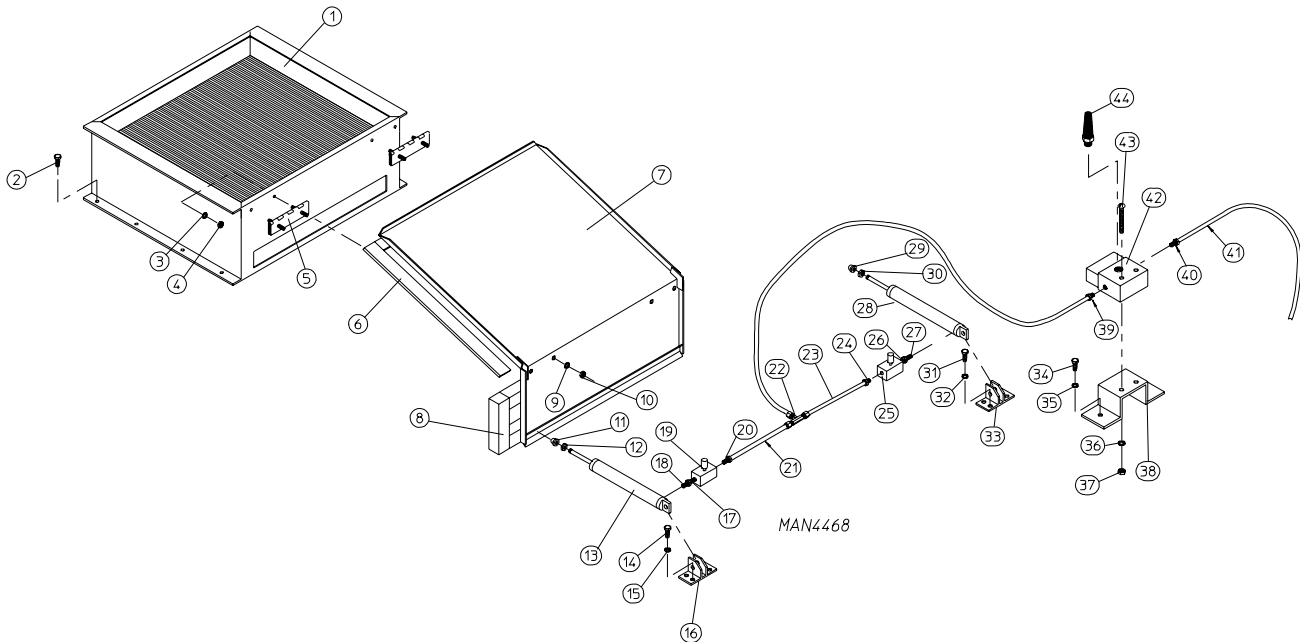
continued from page 73

<u>Illus. No.</u>	<u>Part No.</u>	<u>Qty.</u>	<u>Description</u>
3	142514	1	2" Floor Flange (for models mfd. as of April 13, 1995)
	881522	1	2" Floor Flange Replacement Kit (includes illus. nos. 1 and 3)
	142515	1	2-1/2" Floor Flange (for models mfd. prior to April 13, 1995)
4	153002	4	5/16" Lock Washer
5	152004	4	5/16-18 Hex Nut
6	142522	1	1-1/4" x 90° Street Elbow
7	142843	1	1-1/2" x 4" Nipple
8	142841	1	1-1/4" x 1-1/4" x 1-1/2" Tee
9	142725	2	1-1/4" x 2" Nipple
10	142558	2	1-1/4" Union
11	141415	2	1-1/4" x 48" Flex Hose
12	142725	1	1-1/4" x 2" Nipple
13	142522	1	1-1/4" x 90° Elbow
14	142841	1	1-1/4" x 1-1/4" x 1-1/2" Tee
15	142522	1	1-1/4" x 90° Elbow
16	142725	1	1-1/4" x 2" Nipple
17	154351	1	1-1/2" U-Bolt
18	142568	1	1-1/2" x 8" Nipple
19	142603	1	1-1/2" Union
20	332828	1	Pipe Bracket
21	150309	2	#10-16 x 1/2" Hex Head TEK Crimptite Screw
22	153002	2	5/16" Lock Washer
23	152004	2	5/16-18 Hex Nut
24	142843	1	1-1/2" x 4" Nipple
25	142915	2	1-1/2" x 45° Elbow
26	142738	1	1-1/2" x 2" Nipple
27	142570	1	1-1/2" x 30" Nipple
28	154351	1	1-1/2" U-Bolt
29	332828	1	Pipe Bracket
30	152004	2	5/16-18 Hex Nut
31	153002	2	5/16" Lock Washer
32	150309	2	#10-16 x 1/2" Hex Head TEK Crimptite Screw
33	142603	1	1-1/2" Union
34	142827	1	1-1/2" x 2-1/2" Nipple
35	142842	1	1-1/4" x 19" Nipple

continued on page 75

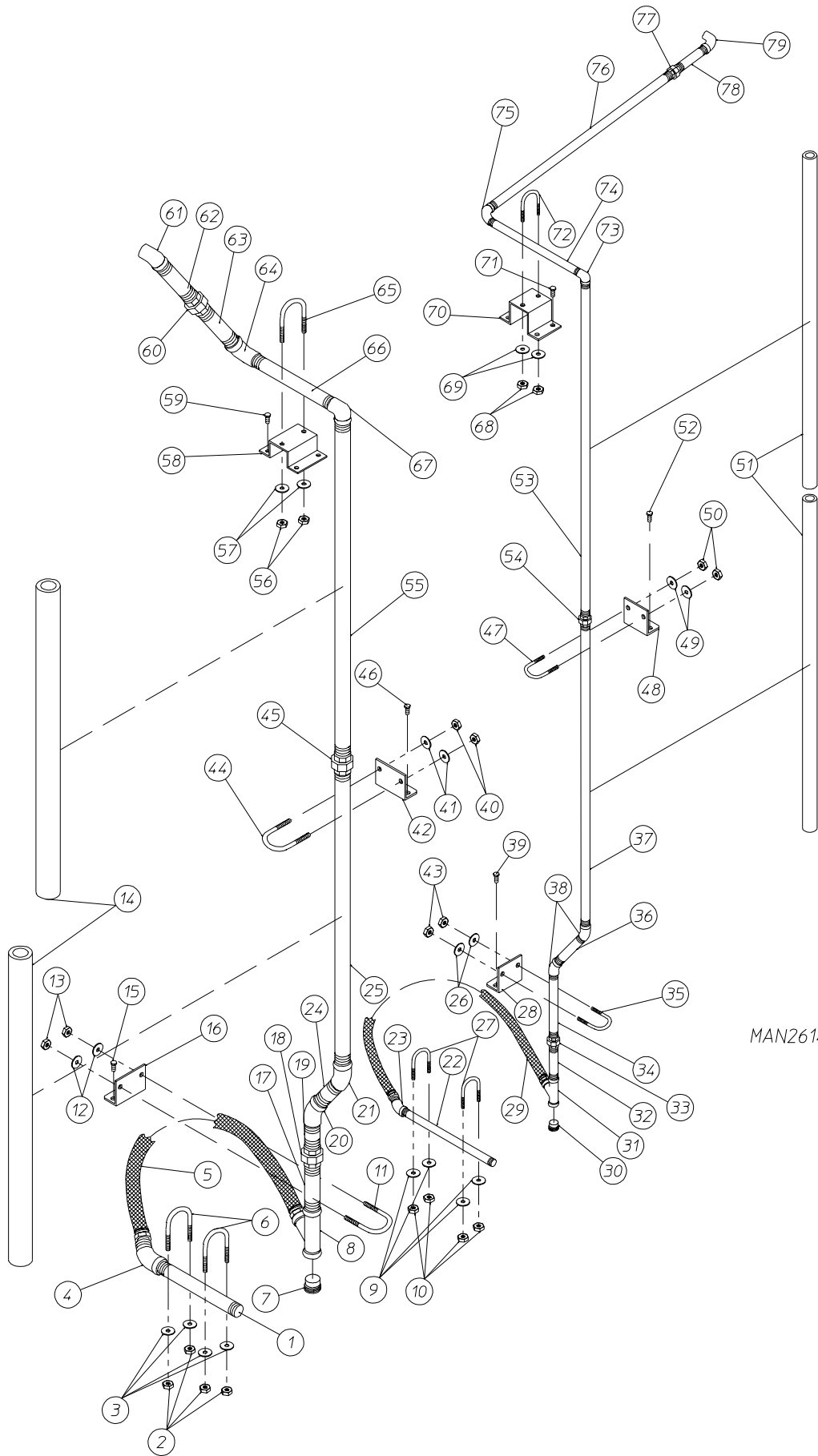
for models mfd. prior to August 15, 1995*continued from page 74*

<u>Illus. No.</u>	<u>Part No.</u>	<u>Qty.</u>	<u>Description</u>
36	142558	1	1-1/4" Union
37	142725	1	1-1/4" x 2" Nipple
38	142554	1	1-1/4" x 90° Elbow
39	142554	1	1-1/4" x 18" Nipple
40	142728	1	1-1/4" to 1" Reducing Elbow
41	142844	1	1" x 45° Male Elbow
42	141302	1	1" Shut-Off
43	142724	1	1" x 2" Nipple
44	142602	1	1" Union
45	142841	1	1-1/4" x 1-1/4" 1-1/2" Tee
46	142842	1	1-1/4" x 19" Nipple
47	142558	1	1-1/4" Union
48	142725	1	1-1/4" x 2" Nipple
49	142554	1	1-1/4" x 90° Elbow
50	142575	1	1-1/4" x 18" Nipple
51	142728	1	1-1/4" to 1" Reducing Elbow
52	142844	1	1" x 45° Male Elbow
53	141302	1	1" Shut-Off
54	142724	1	1" x 2" Nipple
55	142602	1	1" Union



Illus. No.	Part No.	Qty.	Description
1	165034	1	Steam Coil Assembly
2	150523	8	1/4-20 x 3/4" Hex Head Washer Machine Bolt
3	153007	4	1/4" Lock Washer
4	152002	4	1/4-20 Hex Nut
5	820321	2	Steam Damper Hinge Assembly
6	115995	144	Steam Damper Gasket (sold by the inch)
7	-----	1	Steam Damper Assembly (includes illus. nos. 6 through 8)
8	102350	2	Steam Damper Foam
9	153007	4	1/4" Lock Washer
10	152002	4	1/4-20 Hex Nut
11	151008	1	5/8-18 Stainless Steel. Acorn Nut
12	152030	1	5/8-18 Jam Nut
13	100542	1	2" Bore x 4" Stroke Piston (for models mfd. as of January 21, 1999)
	882197	1	2" Bore x 4" Stroke Piston (for models mfd. prior to January 21, 1999)
14	150523	4	1/4-20 x 3/4" Hex Head Washer Machine Bolt (for models mfd. as of January 21, 1999)
	152002	4	1/4-20 Hex Nut ... Not Illustrated (for models mfd. prior to January 21, 1999)

<u>Illus. No.</u>	<u>Part No.</u>	<u>Qty.</u>	<u>Description</u>
15	153007	4	1/4" Lock Washer
16	100544	1	Piston Support Bracket with Pivot Pin (for models mfd. as of January 21, 1999)
	100526	1	Piston Pivot Bracket (for models mfd. prior to January 21, 1999)
17	143238	1	1/8" Brass Close Nipple
18	143264	1	1/4" Poly to 1/8" Brass Reducing Bushing
19	100496	1	1/8" Needle Valve
20	100472	1	1/4" Poly x 1/8" M.P.T. Connector
21	143115	-	1/4" O.D. Tubing (sold by the foot)
22	143156	1	1/4" Poly Tee
23	143115	-	1/4" O.D. Tubing (sold by the foot)
24	100472	1	1/4" Poly x 1/8" M.P.T. Connector
25	100496	1	1/8" Needle Valve
26	143264	1	1/4" Poly to 1/8" Brass Reducing Bushing
27	143238	1	1/8" Brass Close Nipple
28	100542	1	2" Bore x 4" Stroke Piston (for models mfd. as of January 21, 1999)
	882197	1	2" Bore x 4" Stroke Piston (for models mfd. prior to January 21, 1999)
29	151008	1	5/8-18 Stainless Steel Acorn Nut
30	153030	1	5/8-18 Jam Nut
31	150523	4	1/4-20 x 3/4" Hex Head Washer Machine Bolt (for models mfd. as of January 21, 1999)
	152002	4	1/4-20 Hex Nut ... Not Illustrated (for models mfd. prior to January 21, 1999)
32	153007	2	1/4" Lock Washer
33	100544	1	Piston Support Bracket with Pivot Pin (for models mfd. as of January 21, 1999)
	100526	1	Piston Pivot Bracket (for models mfd. prior to January 21, 1999)
34	150522	2	1/4-20 Hex Washer Head Machine Screw
35	153007	2	1/4" Lock Washer
36	153010	2	#6 Star Washer
37	152000	2	#6-32 Hex Nut
38	330987	1	Micro Valve Support
39	100472	1	1/4" Poly x 1/8" M.P.T. Connector
40	100472	1	1/4" Poly x 1/8" M.P.T. Connector
41	143115	-	1/4" O.D. Tubing (sold by the foot)
42	100498	1	3-Way Micro Valve - 24 VAC
43	150002	2	#6-32 x 1" Phillips Round Head Machine Screw
44	100520	1	1/8" N.P.T Silencer (muffler)



MAN2614

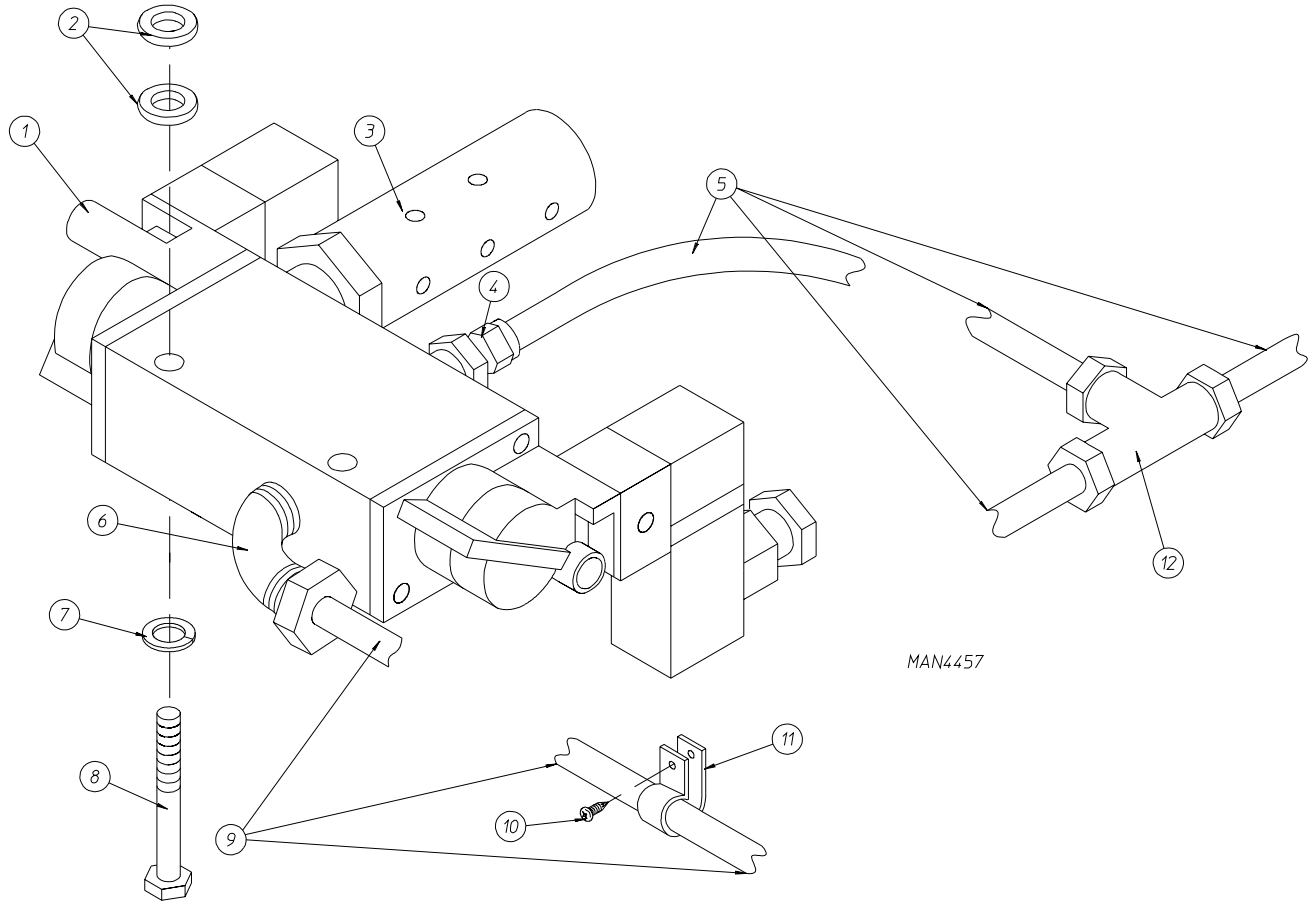
<u>Illus. No.</u>	<u>Part No.</u>	<u>Qty.</u>	<u>Description</u>
1	142534	1	2" x 12" Nipple
2	152004	4	5/16-18 Hex Nut
3	153002	4	5/16" Lock Washer
4	142550	1	2" x 45° Elbow
5	143125	1	2" x 72" Flex Hose
6	154352	2	2" U-Bolt
7	142747	1	1/2" Pipe Plug
8	142920	1	2" x 1/2" x 2" Tee
9	153002	4	5/16" Lock Washer
10	152004	4	5/16-18 Hex Nut
11	154352	1	2" U-Bolt
12	153002	2	5/16" Lock Washer
13	152004	4	5/16-18 Hex Nut
14	142991	2	2" x 36" Pipe Insulation
15	150522	2	1/4-20 x 1/2" Hex Washer Head Machine Screw
16	332533	1	Pipe Bracket
17	142835	1	2" x 4-1/2" Nipple
18	142542	1	2" Union
19	142836	1	2" x 2-1/2" Nipple
20	142550	1	2" x 45° Elbow
21	142550	1	2" x 45° Elbow
22	142556	1	1-1/4" x 12" Nipple
23	142560	1	1-1/4" x 45° Elbow
24	142836	1	2" x 2-1/2" Nipple
25	142538	1	2" x 36" Nipple
26	153002	2	5/16" Lock Washer
27	154353	2	1-1/4" U-Bolt
28	332533	1	Pipe Bracket
29	143126	1	1-1/4" x 60" Flex Hose
30	142928	1	1-1/4" Pipe Plug
31	142922	1	1-1/4" Tee
32	142559	1	1-1/4" x 6" Nipple
33	142558	1	1/4" Union
34	142725	1	1/4" x 2" Nipple
35	154353	1	1-1/4" U-Bolt
36	142725	1	1/4" x 2" Nipple
37	142726	1	1-1/4" x 24" Nipple
38	142560	2	1-1/4" x 45° Elbow
39	150522	2	1/4-20 x 1/2" Hex Washer Head Machine Screw
40	152004	2	5/16-24 Hex Nut

continued on page 80

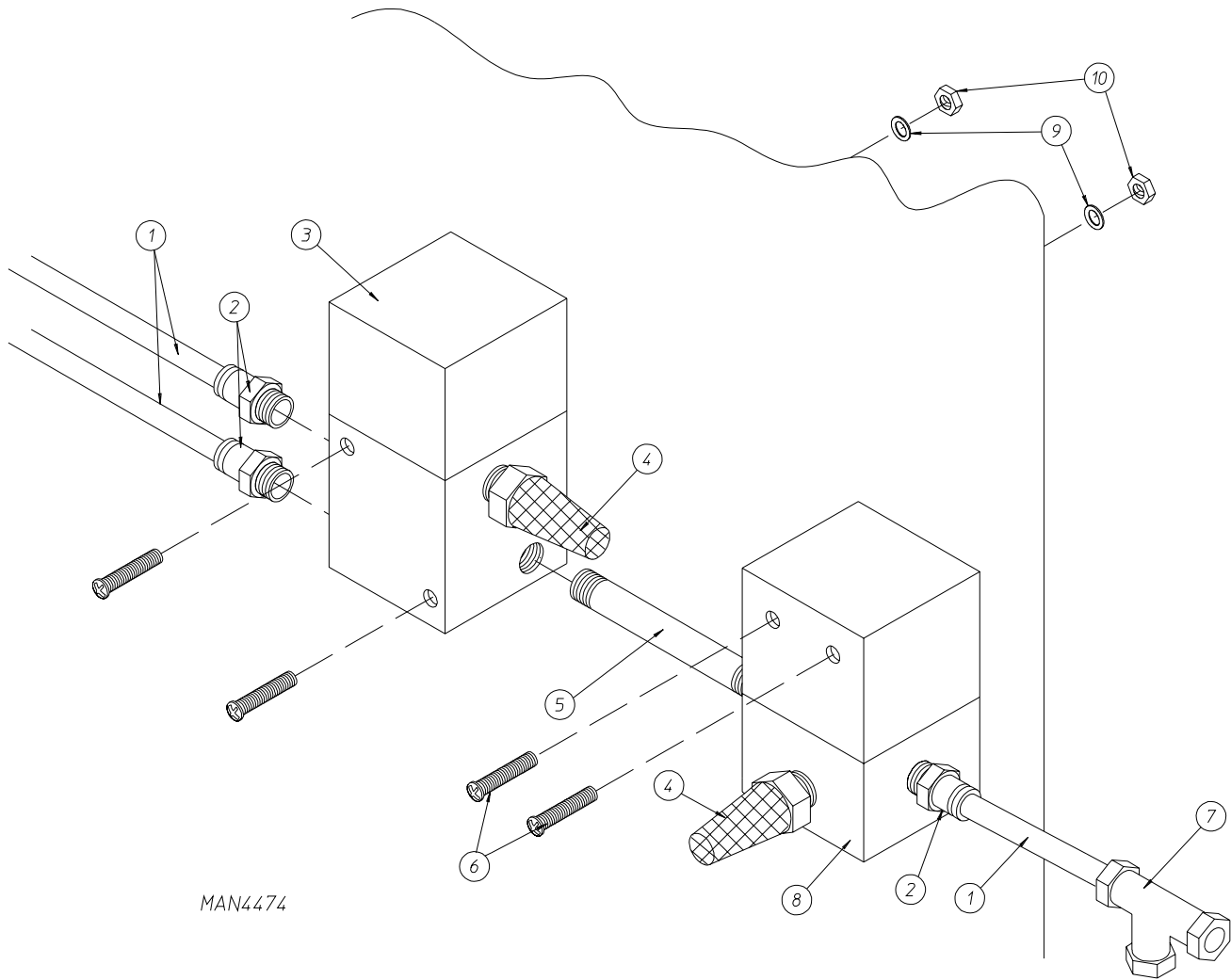
continued from page 79

<u>Illus. No.</u>	<u>Part No.</u>	<u>Qty.</u>	<u>Description</u>
41	153002	2	5/16" Lock Washer
42	332533	1	Pipe Bracket
43	152004	2	5/16"-24 Hex Nut
44	154352	1	2" U-Bolt
45	142542	1	2" Union
46	150522	2	1/4-20 x 1/2" Hex Washer Head Machine Screw
47	154353	1	1-1/4" U-Bolt
48	332533	1	Pipe Bracket
49	153002	2	5/16" Lock Washer
50	152004	2	5/16-18 Hex Nut
51	142992	2	1-1/4" x 36" Pipe Insulation
52	150522	2	1/4-20 x 1/2" Hex Washer Head Machine Screw
53	142726	1	1-1/4" x 24" Nipple
54	142558	1	1-1/4" Union
55	142535	1	2" x 18" Nipple
56	152004	2	5/16-24 Hex Nut
57	153002	2	5/16" Lock Washer
58	332526	1	Top Pipe Bracket
59	150522	4	1/4-20 x 1/2" Hex Washer Head Machine Screw
60	142542	1	2" Union
61	142541	1	2" x 90° Elbow
62	142592	1	2" x 4" Nipple
63	142535	1	2" x 18" Nipple
64	142541	1	2" x 90° Elbow
65	154352	1	2" U-Bolt
66	142595	1	2" x 7" Nipple
67	142541	1	2" x 90° Elbow
68	152004	2	5/16-18" Hex Nut
69	153002	2	5/16" Lock Washer
70	332526	1	Top Pipe Bracket
71	150522	4	1/4-20 x 1/2" Hex Washer Head Machine Screw
72	154353	1	1-1/4" U-Bolt
73	142554	1	1-1/4" 90° Elbow
74	142729	1	1-1/4" x 8" Nipple
75	142554	1	1-1/4" 90° Elbow
76	142575	1	1-1/4" x 18" Nipple
77	142558	1	1-1/4" Union
78	142727	1	1-1/4" x 4" Nipple
79	142900	1	2" to 1-1/4" x 90° Reducing Elbow

for models mfd. with Sprinkler Option



<u>Illus. No.</u>	<u>Part No.</u>	<u>Qty.</u>	<u>Description</u>
1	100556	1	Sprinkler Solenoid - 120 VAC
2	153018	4	1/4" Flat Washer
3	100462	1	3/8" Valve Muffler (silencer)
4	143283	1	3/8" Poly x 3/8" M.P.T. Brass Connector
5	143120	6	3/8" Poly Flow Tubing (sold by the foot)
6	143151	1	1/4" Compression x 3/8" M.P.T. Brass Elbow
7	153007	2	1/4" Lock Washer
8	150524	2	1/4-20 x 2" Hex Head Machine Bolt
9	882157	12	1 Foot Aluminum Tubing
10	150309	2	#10-16 x 1/2" Hex Head TEK Crimptite Screw
11	154005	2	1/4" Tube Clip
12	143221	1	3/8" Poly Tee

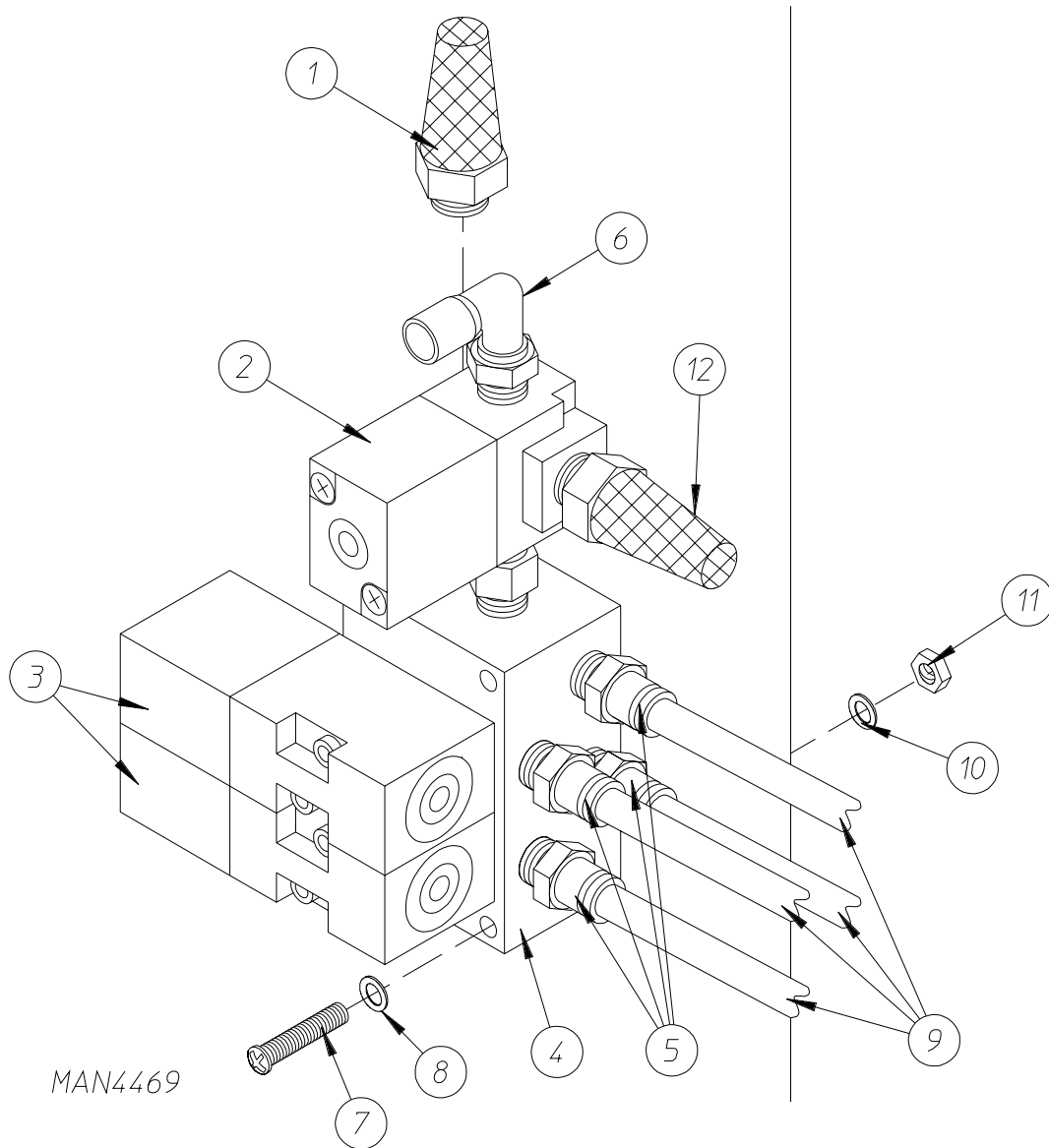


MAN4474

<u>Illus. No.</u>	<u>Part No.</u>	<u>Qty.</u>	<u>Description</u>
1	143115	*	1/4" Nylo-Seal Tubing (sold by the foot)
2	100472	3	1/4" Poly x 1/8" M.P.T. Connector
3	100468	1	4-Way Valve - 24 VAC
4	100520	2	1/8" Muffler (silencer)
5	143239	1	1/8" x 2-1/2" Brass Nipple
6	150002	4	#6-32 x 1" Phillips Round Head Machine Screw
7	143156	1	1/4" Poly Union Tee
8	100498	1	3-Way Valve - 24 VAC
9	153008	4	#6 Lock Washer
10	152000	2	#6-32 Hex Nut

* As required.

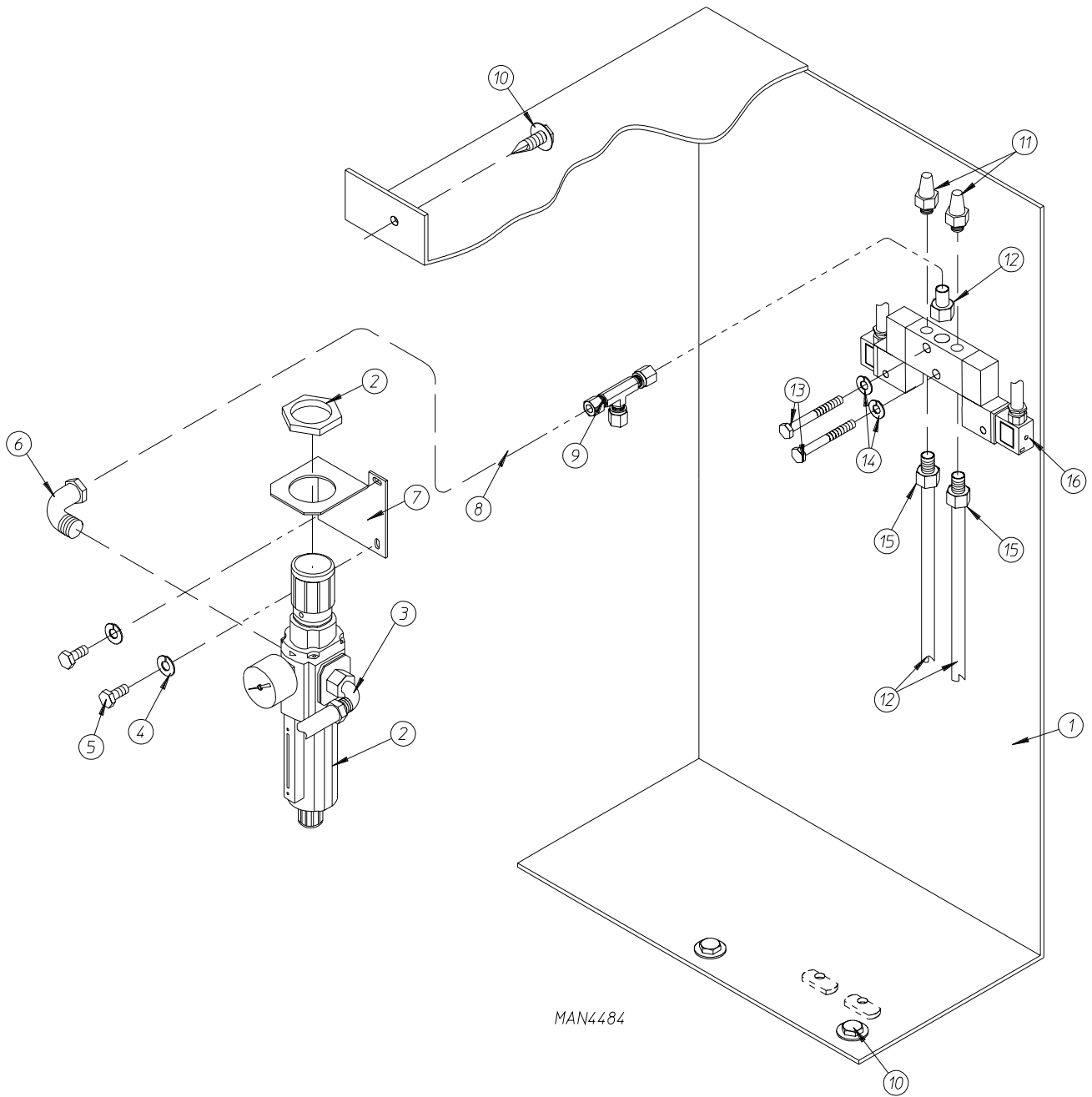
2 AUTOMATIC DOORS



Illus. No.	Part No.	Qty.	Description
1	100520	1	1/8" Muffler (silencer)
2	100498	1	3-Way Valve - 24 VAC
3	100545	2	MAC Valve - 24 VAC
4	100521	1	2 Door MAC Valve Assembly (includes illus. nos. 1 through 6)
5	100472	4	1/4" Poly x 1/8" M.P.T. Connector
6	143149	1	1/4" Poly x 1/8" M.P.T. 90° Elbow
7	150002	2	#6-32 x 1" Phillips Round Head Machine Screw
8	153010	2	#6 Star Washer
9	143115	*	1/4" O.D. Nylo-Seal Tubing (sold by the foot)
10	153008	2	#6 Lock Washer
11	152000	2	#6-32 Hex Nut
12	100520	1	1/8" Muffler (silencer)

* As required.

I-WAY TILT
for models mfd. as of December 8, 1998



MAN4484

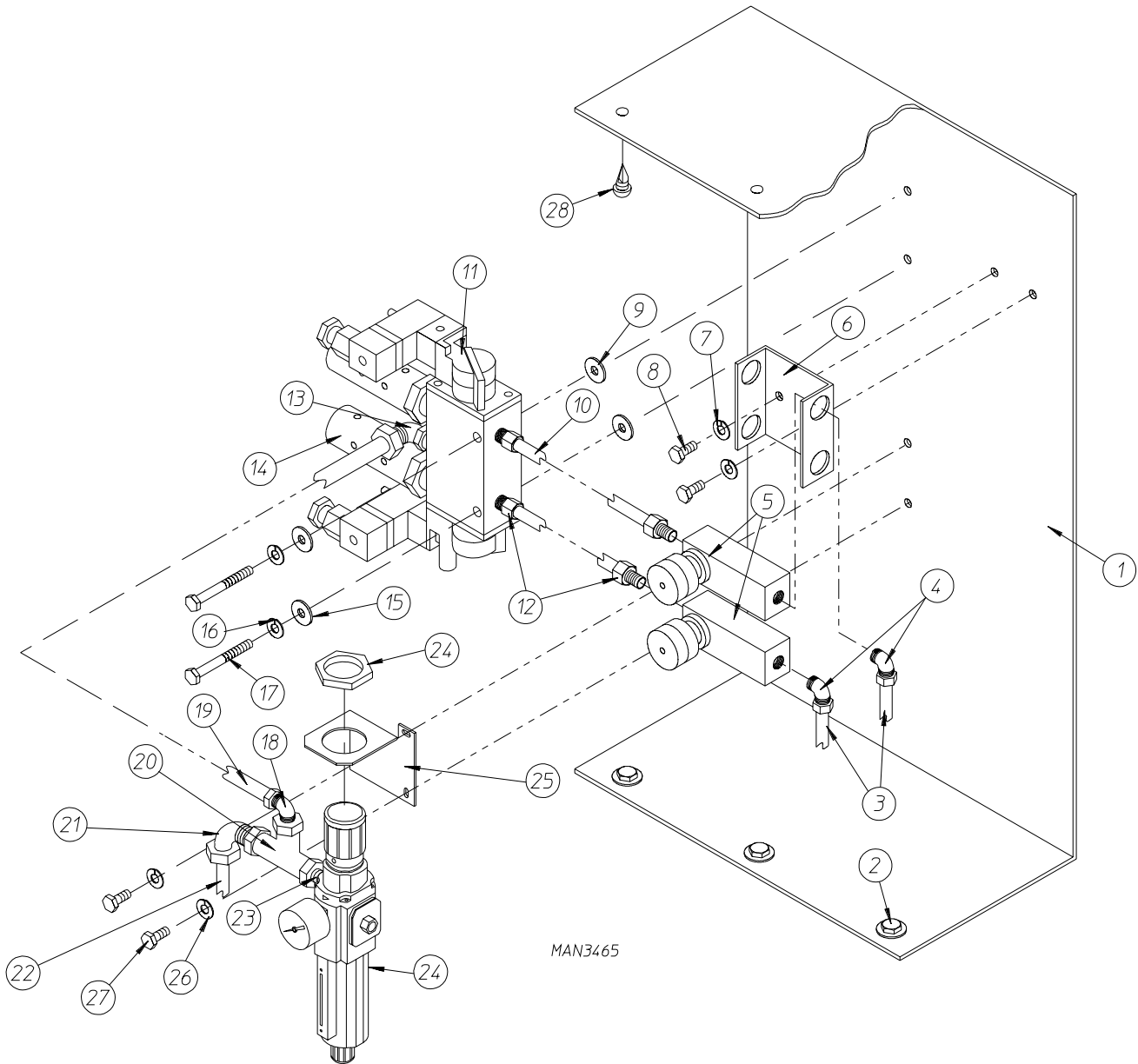
1-WAY TILT

for models mfd. as of December 8, 1998

<u>Illus. No.</u>	<u>Part No.</u>	<u>Qty.</u>	<u>Description</u>
1	881203	1	Pneumatic Panel
2	100479	1	Filter/Regulator
3	143213	1	3/8" Poly x 3/8" M.P.T. 90° Brass Elbow
4	153007	2	1/4" Lock Washer
5	150512	2	1/4-20 x 1/2" Hex Head Machine Bolt
6	143290	1	1/4" Poly x 3/8" M.P.T. 90° Brass Elbow
7	332624	1	3/8" NORGREN Filter/Regulator Adaptor Bracket
8	143115	*	1/4" Nylo-Seal Tubing (sold by the foot)
9	143156	1	1/4" Union Tee
10	150522	6	1/4-20 x 1/2" Hex Washer Head Machine Screw
11	100520	2	1/8" Muffler (silencer)
12	143165	1	1/4" Tube x 1/4" M.P.T. Connector
13	150522	2	#8-32 x 1" Phillips Round Head Machine Screw
14	153000	2	#8 Flat Washer
15	143166	2	3/8" Poly x 1/4" M.P.T. Connector
16	100528	1	5-Port/3-Position Tilting Solenoid - 24 VAC

* As required.

1-WAY TILT
for models mfd. prior to December 8, 1998

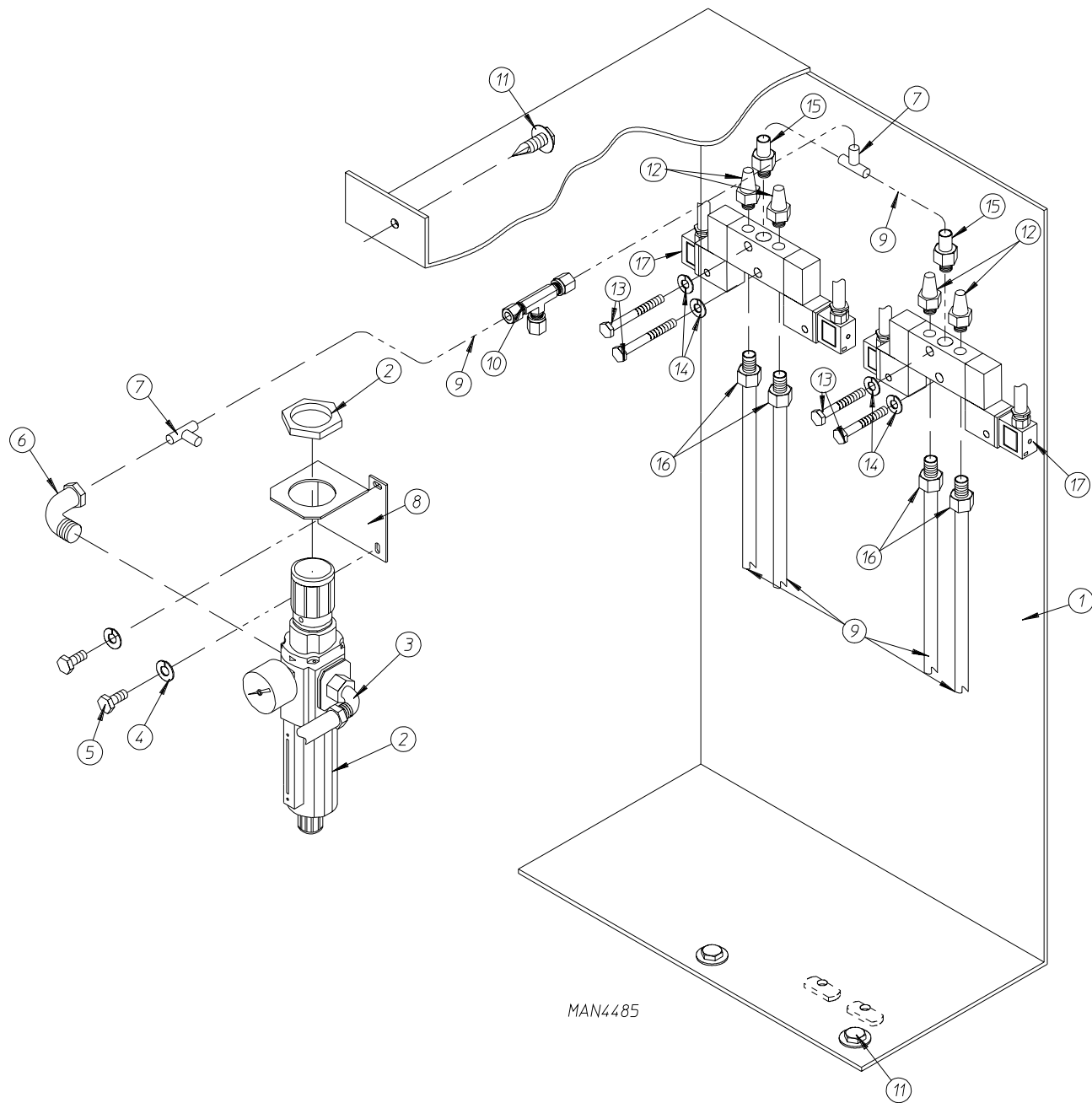


1-WAY TILT**for models mfd. prior to December 8, 1998**

<u>Illus. No.</u>	<u>Part No.</u>	<u>Qty.</u>	<u>Description</u>
1	881203	1	1-Way Tilt Pneumatic Panel
2	150522	3	1/4-20 x 1/2" Hex Washer Head Machine Screw
3	143120	*	3/8" Poly-Flo Tubing (sold by the foot)
4	143213	2	3/8" Poly x 3/8" M.P.T. 90° Brass Elbow
5	143206	2	3/8" F.P.T. Flow Control Valve
6	332841	1	Flow Valve Mounting Plate
7	153007	2	1/4" Lock Washer
8	150512	2	1/4-20 x 1/2" Hex Head Machine Bolt
9	153018	4	1/4" Flat Washer
10	143120	*	3/8" Poly-Flo Tubing (sold by the foot)
11	100558	1	5-Port/3-Position Tilting Solenoid - 24 VAC
12	143283	4	3/8" Poly x 3/8" M.P.T. Straight Connector
13	143213	1	3/8" Poly x 3/8" M.P.T. 90° Brass Elbow
14	100462	1	3/8" Muffler (silencer)
15	153018	2	1/4" Flat Washer
16	153007	2	1/4" Lock Washer
17	150524	2	1/4-20 x 2" Hex Head Machine Bolt
18	143213	1	3/8" Poly x 3/8" M.P.T. 90° Brass Elbow
19	143120	*	3/8" Poly-Flo Tubing (sold by the foot)
20	143220	1	3/8" Brass Tee
21	143290	1	1/4" Poly x 3/8" M.P.T. 90° Brass Elbow
22	143115	*	1/4" Nylo-Seal Tubing (sold by the foot)
23	143241	1	3/8" Close Nipple
24	100479	1	Filter/Regulator Assembly
25	332640	1	Filter/Regulator Adapter Bracket
26	153007	2	1/4" Lock Washer
27	150512	2	1/4-20 x 1/2" Hex Head Machine Bolt

* As required.

2-WAY TILT
for models mfd. as of February 8, 1999



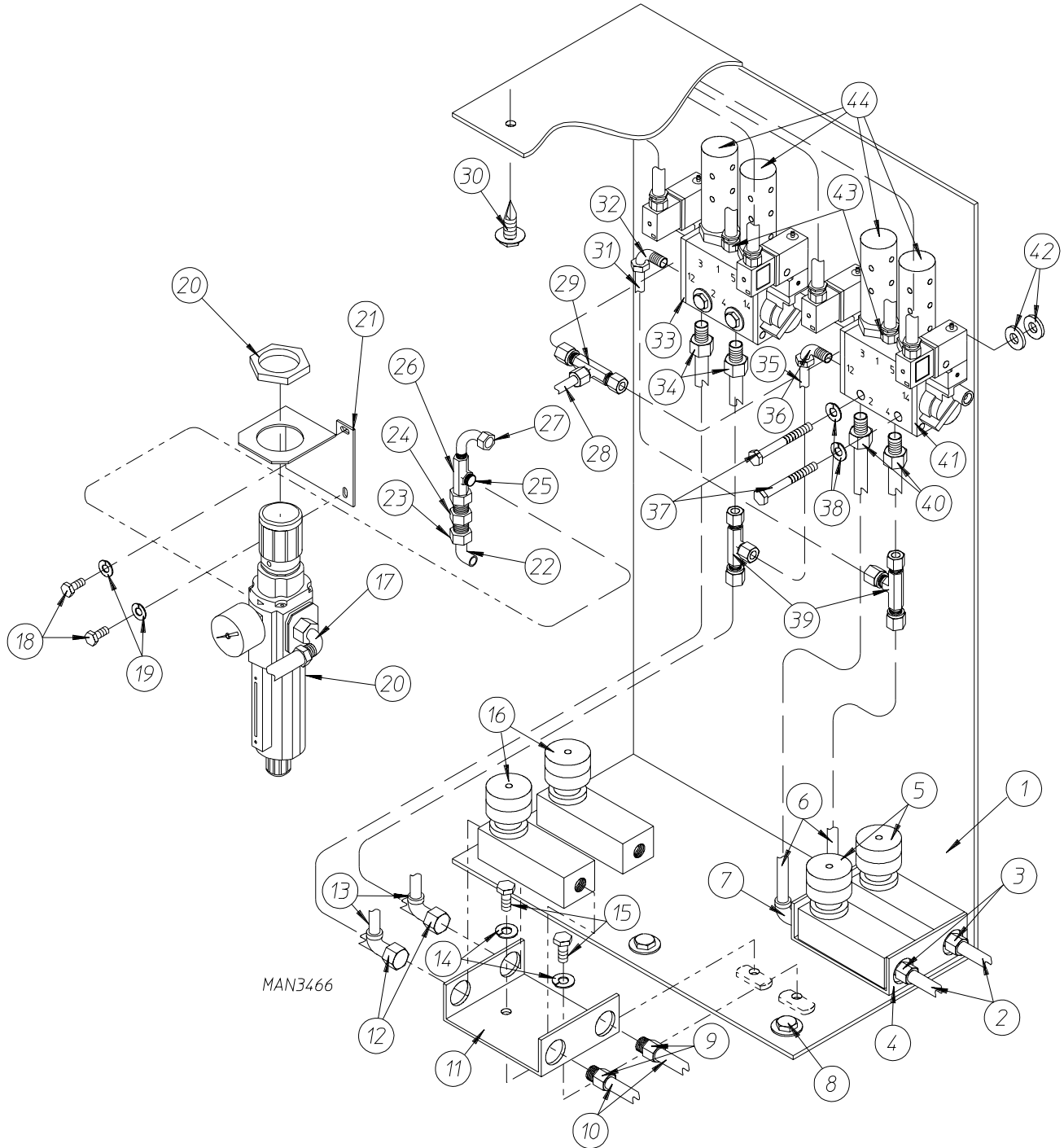
2-WAY TILT

for models mfd. as of February 8, 1999

<u>Illus. No.</u>	<u>Part No.</u>	<u>Qty.</u>	<u>Description</u>
1	826016	1	Pneumatic Panel
2	100479	1	Filter/Regulator
3	143213	1	3/8" Poly x 3/8" M.P.T. 90° Brass Elbow
4	153007	2	1/4" Lock Washer
5	150512	2	1/4-20 x 1/2" Hex Head Machine Bolt
6	143290	1	1/4" Poly x 3/8" M.P.T. 90° Brass Elbow
7	143156	1	1/4" Poly-Flo Tee
8	332624	1	3/8" NORGREN Filter/Regulator Adaptor Bracket
9	143110	*	1/4" Poly-Flo Tubing (sold by the foot)
10	143156	1	1/4" Union Tee
11	150522	6	1/4-20 x 1/2" Hex Washer Head Machine Screw
12	100520	4	1/8" Muffler (silencer)
13	150101	4	#8-32 x 1-1/4" Phillips Pan Head Machine Screw
14	153000	4	#8 Flat Washer
15	143165	1	1/4" Tube x 1/4" M.P.T. Connector
16	143166	2	3/8" Poly x 1/4" M.P.T. Connector
17	100528	1	5-Port/3-Position Tilting Solenoid - 24 VAC

* As required.

2-WAY TILT
for models mfd. prior to February 8, 1999

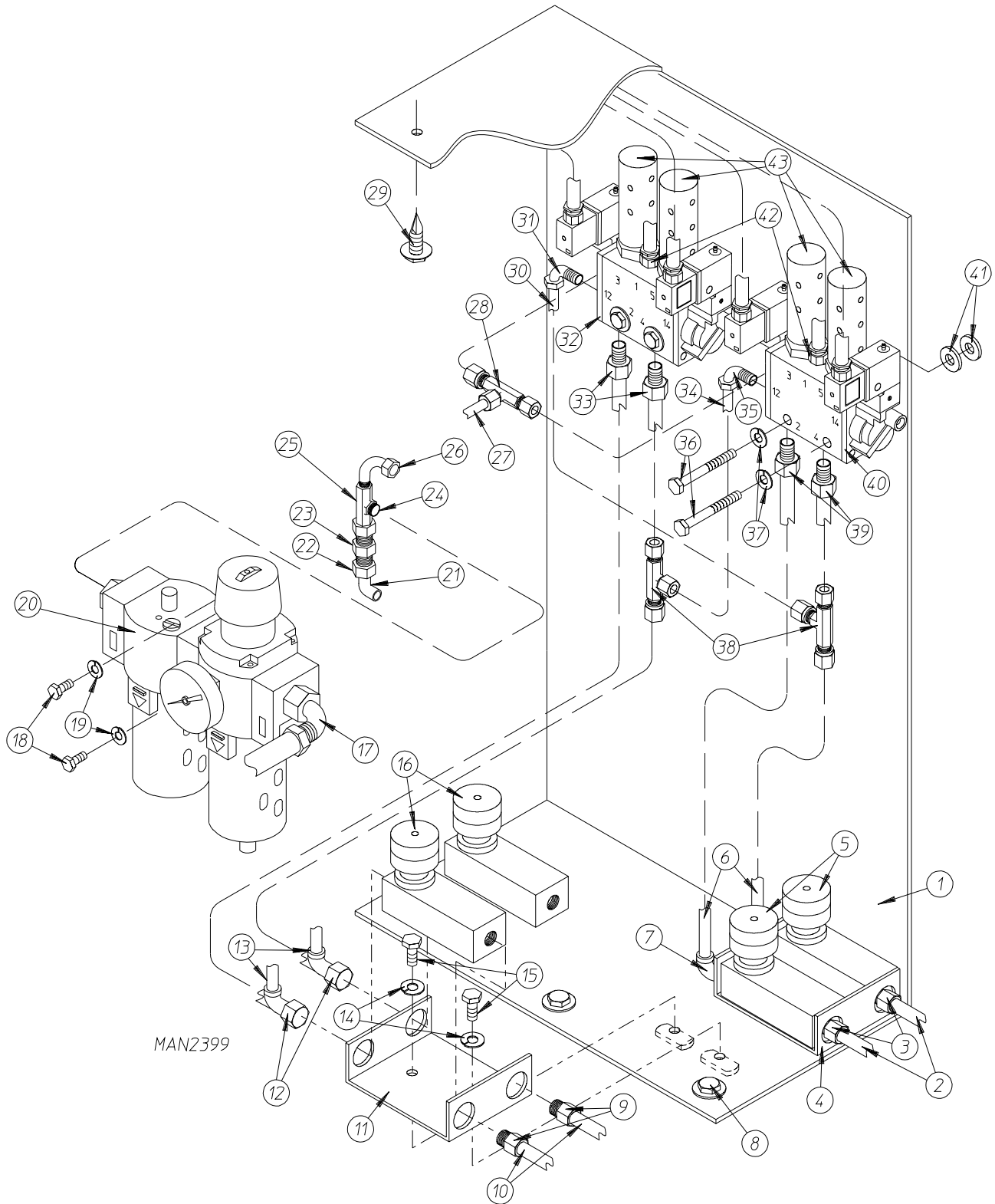


2-WAY TILT**for models mfd. prior to February 8, 1999**

<u>Illus. No.</u>	<u>Part No.</u>	<u>Qty.</u>	<u>Description</u>
1	881202	1	2-Way Tilt Pneumatic Panel
2	143120	*	3/8" Poly-Flo Tubing (sold by the foot)
3	143283	2	3/8" Poly x 3/8" M.P.T. Straight Connector
4	332841	1	Air Flow Valve Mounting Plate
5	143206	2	3/8" F.P.T. Flow Control
6	143120	*	3/8" Poly-Flo Tubing (sold by the foot)
7	143213	2	3/8" Poly x 3/8" M.P.T. 90° Brass Elbow
8	150522	3	1/4-20 x 1/2" Hex Washer Head Machine Screw
9	143283	2	3/8" Poly x 3/8" M.P.T. Straight Connector
10	143120	*	3/8" Poly-Flo Tubing (sold by the foot)
11	332841	1	Air Flow Valve Mounting Plate
12	143213	2	3/8" Poly x 3/8" M.P.T. 90° Brass Elbow
13	143120	*	3/8" Poly-Flo Tubing (sold by the foot)
14	153007	2	1/4" Lock Washer
15	150512	2	1/4-20 x 1/2" Hex Head Machine Bolt
16	143206	2	3/8" F.P.T. Flow Control
17	143213	1	3/8" Poly x 3/8" M.P.T. 90° Brass Elbow
18	150512	2	1/4-20 x 1/2" Hex Head Machine Bolt
19	153007	2	1/4" Lock Washer
20	100479	1	Filter/Regulator Assembly
21	332640	1	Filter/Regulator Adapter Bracket
22	143115	*	1/4" Nylo-Seal Tubing (sold by the foot)
23	105609	1	1/4" Poly x 1/4" M.P.T. Straight Connector
24	143262	1	3/8" To 1/4" Brass Reducing Bushing
25	143241	1	3/8" Close Nipple
26	143220	1	3/8" Brass Tee
27	143213	1	3/8" Poly x 3/8" M.P.T. 90° Brass Elbow
28	143120	*	3/8" Poly-Flo Tubing (sold by the foot)
29	143221	1	3/8" Poly Tee
30	150522	3	1/4-20 x 1/2" Hex Washer Head Machine Screw
31	143115	*	1/4" Nylo-Seal Tubing (sold by the foot)
32	143149	1	1/4" Poly x 1/8" M.P.T. Elbow
33	100558	1	5-Port/3-Position Tilting Solenoid - 24 VAC
34	143283	2	3/8" Poly x 3/8" M.P.T. Straight Connector
35	143115	*	1/4" Nylo-Seal Tubing (sold by the foot)
36	143149	1	1/4" Poly x 1/8" M.P.T. Elbow
37	150524	4	1/4-20 x 2" Hex Head Machine Bolt
38	153007	4	1/4" Lock Washer
39	143157	2	3/8" x 3/8" x 1/4" Reducing Poly Tee
40	143283	2	3/8" Poly x 3/8" M.P.T. Straight Connector
41	100558	1	5-Port/3-Position Tilting Solenoid - 24 VAC
42	153018	8	1/4" Flat Washer
43	143283	2	3/8" Poly x 3/8" M.P.T. Straight Connector
44	100462	4	3/8" Muffler (silencer)

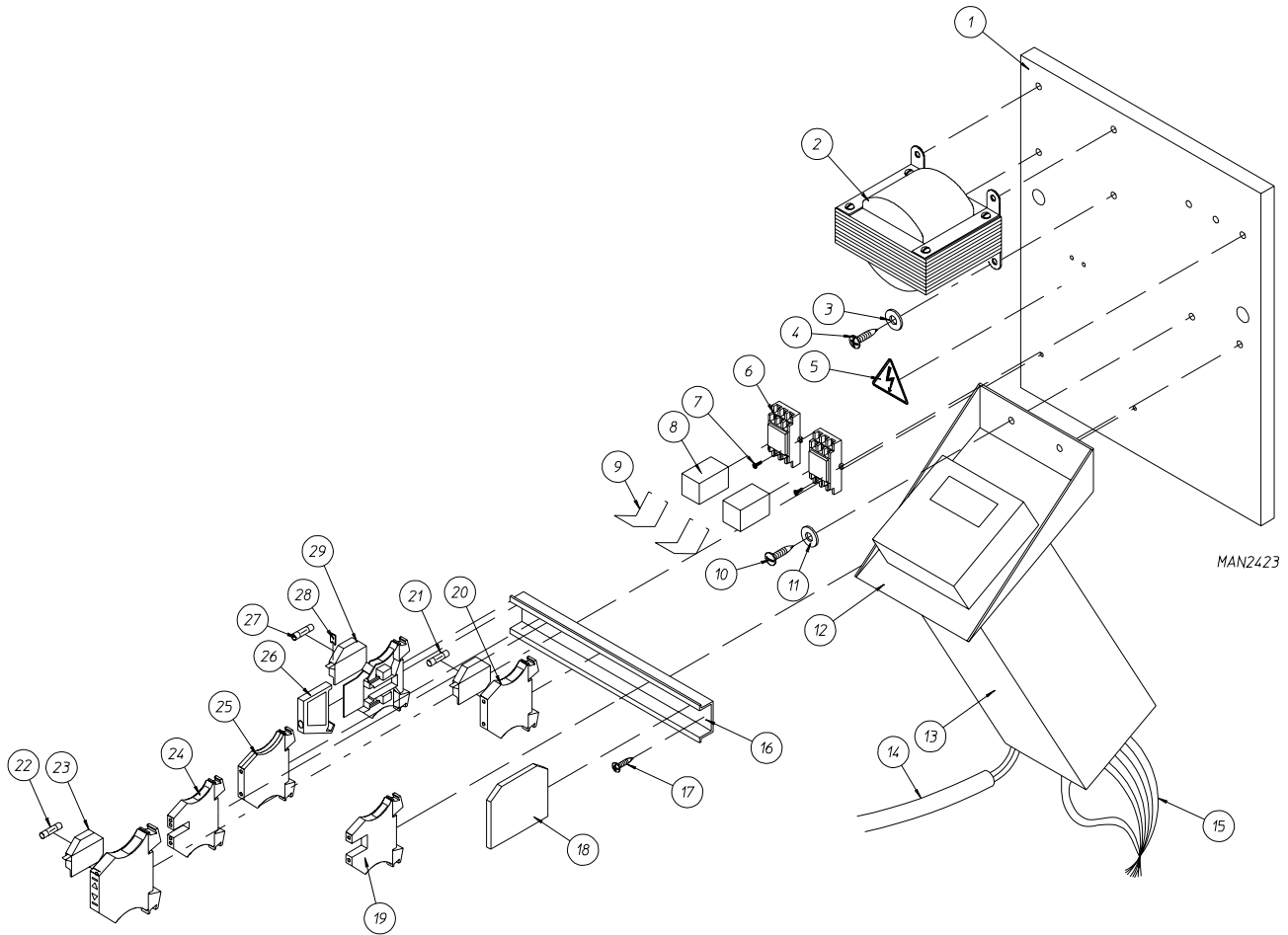
* As required.

2-WAY TILT
for models mfd. prior to July 14, 1997

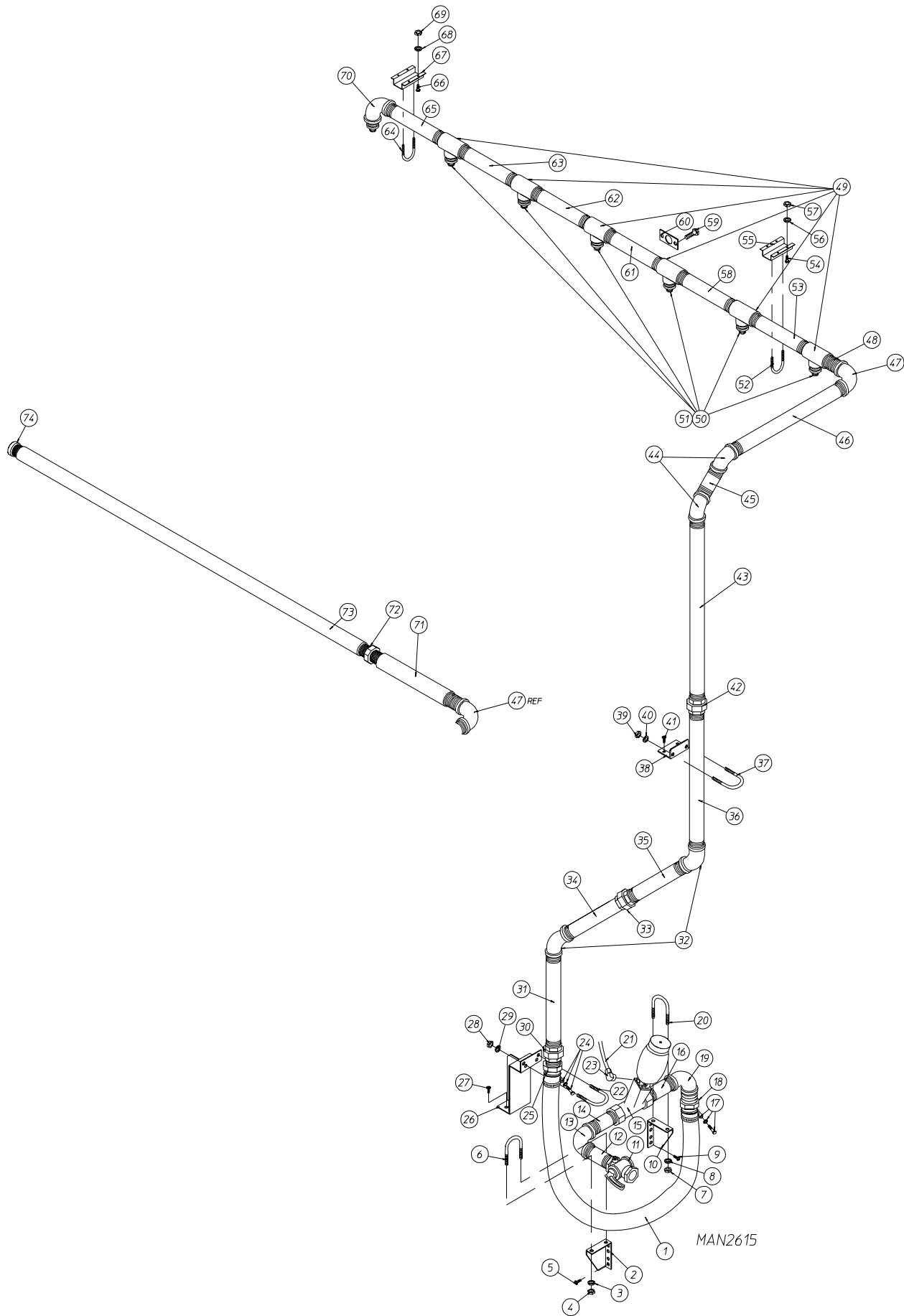


2-WAY TILT**for models mfd. prior to July 14, 1997**

<u>Illus. No.</u>	<u>Part No.</u>	<u>Qty.</u>	<u>Description</u>
1	881528	1	Pneumatic Panel
2	143120	-	3/8" O.D. Poly-Flo Tubing (sold by the foot)
3	143283	2	3/8" Poly x 3/8" M.P.T. Straight Connector
4	332841	1	Air Flow Valve Mounting Plate
5	143206	2	3/8" Flow Control
6	143120	-	3/8" O.D. Poly-Flo Tubing (sold by the foot)
7	143213	2	3/8" Poly x 3/8" M.P.T. Brass Elbow
8	150522	3	1/4-20 x 1/2" Hex Washer Head Machine Screw
9	143283	2	3/8" Poly x 3/8" M.P.T. Straight Connector
10	143120	-	3/8" O.D. Poly-Flo Tubing (sold by the foot)
11	332841	1	Air Flow Valve Mounting Plate
12	143213	2	3/8" Poly x 3/8" M.P.T. Brass Elbow
13	143120	-	3/8" O.D. Poly-Flo Tubing (sold by the foot)
14	153007	2	1/4" Lock Washer
15	150512	2	1/4-20 x 1/2" Hex Head Machine Bolt
16	143206	2	3/8" Flow Control
17	143213	1	3/8" Poly x 3/8" M.P.T. Brass Elbow
18	150512	2	1/4-20 x 1/2" Hex Head Machine Bolt
19	153007	2	1/4" Lock Washer
20	100516	1	Filter/Regulator/Lubricator Assembly
21	143115	-	1/4" Nylo-Seal Tubing (sold by the foot)
22	105609	1	1/4" Poly x 1/4" M.P.T. Straight Connector
23	143262	1	3/8" to 1/4" Brass Reducing Bushing
24	143241	1	3/8" Close Nipple
25	143220	1	3/8" Brass Tee
26	143213	1	3/8" Poly x 3/8" M.P.T. Brass Elbow
27	143120	-	3/8" O.D. Poly-Flo Tubing (sold by the foot)
28	143221	1	3/8" Poly Tee
29	150522	3	1/4-20 x 1/2" Hex Washer Head Machine Screw
30	143115	-	1/4" Nylo-Seal Tubing (sold by the foot)
31	143213	1	3/8" Poly x 3/8" M.P.T. Brass Elbow
32	100558	1	5 Port/3 Position Tilting Solenoid - 24 VAC
33	143283	2	3/8" Poly x 3/8" M.P.T. Straight Connector
34	143115	-	1/4" Nylo-Seal Tubing (sold by the foot)
35	143149	1	1/4" Poly x 1/8" M.P.T. Elbow
36	150524	4	1/4-20 x 2" Hex Head Machine Bolt
37	153007	4	1/4" Lock Washer
38	143157	2	3/8" x 3/8" x 1/4" Reducing Poly Tee
39	143283	2	3/8" Poly x 3/8" M.P.T. Straight Connector
40	100558	1	5-Port/3-Position Tilting Solenoid - 24 VAC
41	153018	8	1/4" Flat Washer
42	143283	2	3/8" Poly x 3/8" M.P.T. Straight Connector
43	100462	4	3/8" Muffler (silencer)



<u>Illus. No.</u>	<u>Part No.</u>	<u>Qty.</u>	<u>Description</u>
1	334259	1	Sprinkler Electrical Panel
2	132091	1	208/240 Volt Transformer
	132092	1	380 Volt Transformer
3	153000	4	#8 Flat Washer
4	150108	4	#8-32 x 1/2" Phillips Pan Head Machine Screw
5	122424	1	"POWER WARNING" Label
6	131408	2	Relay Socket
7	150106	3	#8-32 x 1" Phillips Head Machine Screw
8	131405	2	DPDT (Double-Pole-Double-Throw) Plug In Relay
9	131409	2	Hold Down Spring
10	150108	2	#8-32 x 1/2" Phillips Pan Head Machine Screw
11	153000	2	#8 Flat Washer
12	333002	1	Temperature Controller Mounting Bracket
13	881249	1	Sprinkler Digital Temperature Control Assembly Complete with Harnesses (includes Illus. nos. 13 through 15)
	881039	1	Sprinkler Digital Temperature Control
14	881251	1	Sprinkler Temperature Control RTD (Resistive Temperature Device) Harness
15	881250	1	Sprinkler Temperature Control Power Harness
16	120768	-	Din Mounting Rail (sold by the inch)
17	150309	2	#10-16 x 1/2" Hex Head TEK Crimptite Screw
18	120766	1	End Section
19	120758	7	Feed Thru Terminal Block
20	120754	1	Fuse Terminal Block with L.E.D. (Light Emitting Diode)
21	136039	1	250-mA (Slo Blo) Fuse
22	136033	1	3-Amp Fuse
23	120756	1	1/4" Fuse Terminal Block with .L.E.D. (Light Emitting Diode)
24	120761	7	4 Position Feed Thru Terminal Block
25	120750	2	Ground Terminal Block
26	120765	1	End Stop
27	136050	2	1-Amp (Slo Blo) Fuse
28	120999	5	Blank Marking Tab
29	120721	2	Disconnect Fuse Block



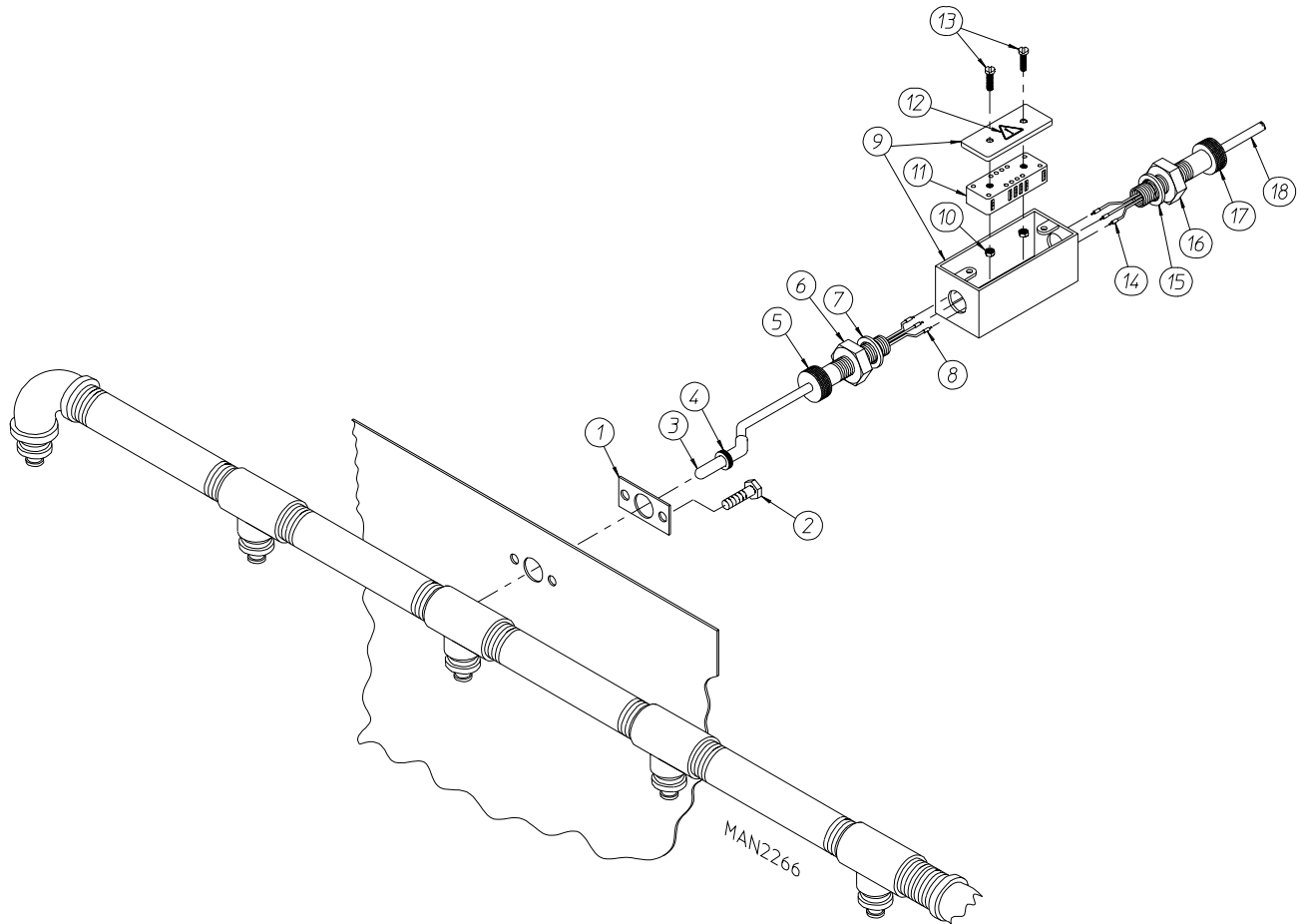
<u>Illus. No.</u>	<u>Part No.</u>	<u>Qty.</u>	<u>Description</u>
1	143135	1	48" Flex Hose
2	331794	1	Inlet Pipe Bracket
3	153007	2	1/4" Lock Washer
4	152002	2	1/4-20 Hex Nut
5	150522	2	1/4-20 x 1/2" Hex Head Washer Machine Screw
6	154350	1	1" Pipe U-Bolt
7	152002	2	1/4-20 Hex Nut
8	153007	2	1/4" Lock Washer
9	150522	2	1/4-20 x 1/2" Hex Head Washer Machine Screw
10	331794	1	Inlet Pipe Bracket
11	143556	1	1" Ball Valve
12	142808	1	1" x 3" Nipple
13	142548	1	1" 90° Elbow
14	142808	1	1" x 3" Nipple
15	100557	1	1" Air Operated Water Valve
16	142808	1	1" x 3" Nipple
17	143137	1	Hose Clamp
18	143136	1	1" Hose Nipple
19	142548	1	1" 90° Elbow
20	154350	1	1" Pipe U-Bolt
21	882157	12	1 Foot Aluminum Tubing
22	154353	1	1-1/4" Pipe U-Bolt
23	143210	1	1/4" Compression x 1/4" M.P.T. Elbow
24	143137	1	Hose Clamp
25	143136	1	1" Hose Nipple
26	334255	1	Pipe Bracket
27	150522	2	1/4-20 x 1/2" Hex Head Washer Machine Screw
28	152002	2	1/4-20 Hex Nut
29	153007	2	1/4" Lock Washer
30	142602	1	1" Union
31	142581	1	1" x 5" Nipple
32	142590	2	1" x 45° Elbow
33	142602	1	1" Union
34	142579	1	1" x 6" Nipple
35	142581	1	1" x 5" Nipple
36	142746	1	1" x 24" Nipple
37	154350	1	1" Pipe U-Bolt
38	334255	1	Pipe Bracket
39	152002	2	1/4-20 Hex Nut

continued on page 96

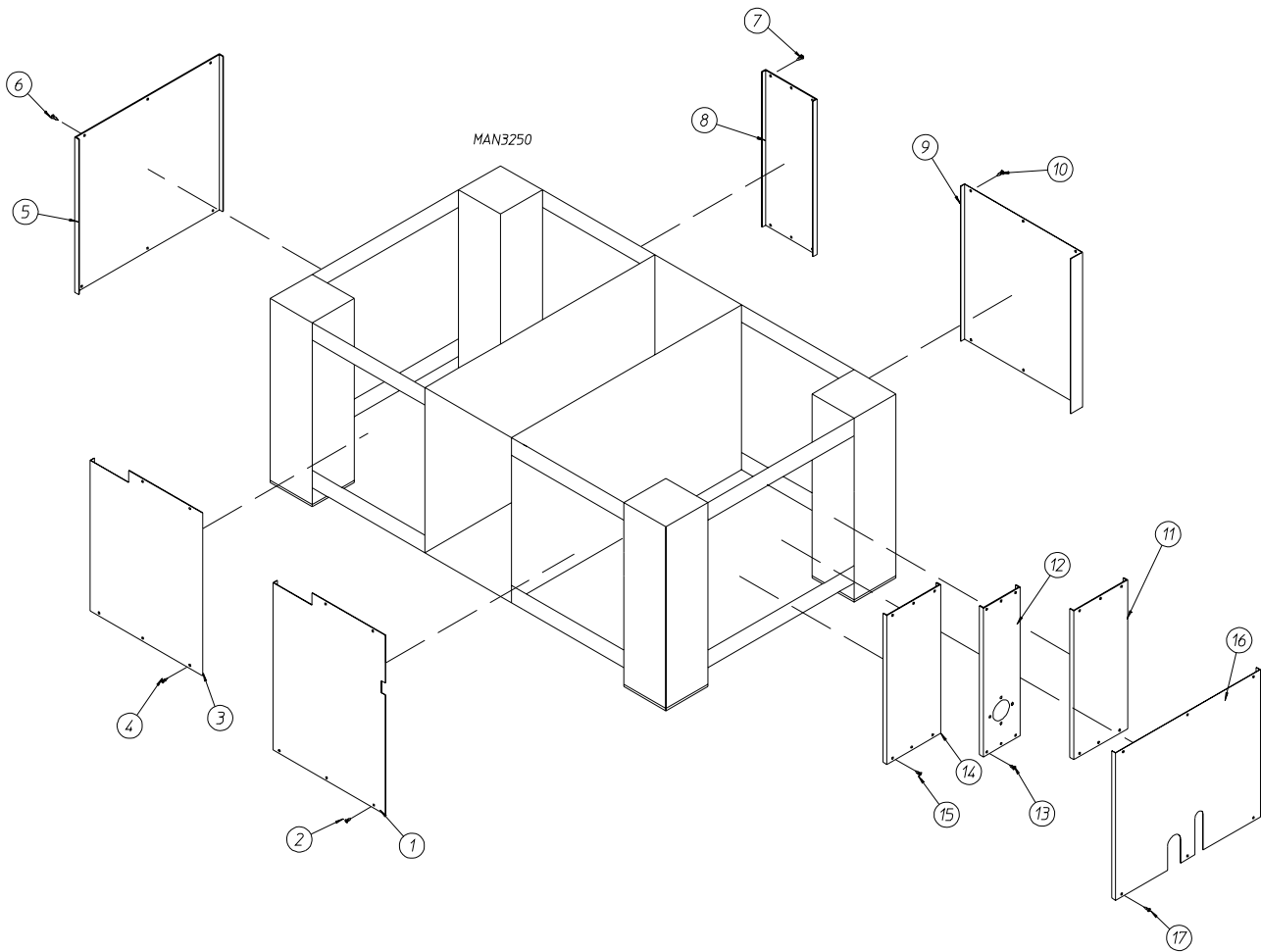
continued from page 95

<u>Illus. No.</u>	<u>Part No.</u>	<u>Qty.</u>	<u>Description</u>
40	153007	2	1/4" Lock Washer
41	150522	2	1/4-20 x 1/2" Hex Head Washer Machine Screw
42	142602	1	1" Union
43	142746	1	1" x 24" Nipple
44	142590	2	1" 45° Elbow
45	142808	1	1" x 3" Nipple
46	142598	1	1" x 17" Nipple
47	142548	1	1" 90° Elbow
48	142808	1	1" x 3" Nipple
49	142508	6	1" Tee
50	142926	7	1" x 1/4" Reducing Bushing
51	140927	7	1/4" Sprinkler Nozzle
52	154350	1	1" Pipe U-Bolt
53	142581	1	1" x 5" Nipple
54	150309	4	#10-16 x 1/2" Hex Head TEK Crimptite Screw
55	332941	1	Sprinkler Pipe Bracket
56	153007	2	1/4" Lock Washer
57	152002	2	1/4-20 Hex Nut
58	142581	1	1" x 5" Nipple
59	150523	2	1/4-20 x 3/4" Hex Head Washer TEK Screw
60	331877	1	Temperature Probe Mounting Plate
61	142581	1	1" x 5" Nipple
62	142579	1	1" x 5" Nipple
63	142581	1	1" x 5" Nipple
64	154350	1	1" Pipe U-Bolt
65	142581	1	1" x 5" Nipple
66	150309	4	#10-16 x 1/2" Hex Head TEK Crimptite Screw
67	332941	1	Sprinkler Pipe Bracket
68	153007	2	1/4" Lock Washer
69	152002	2	1/4-20 Hex Nut
70	142548	1	1" x 90° Elbow
71*	142584	1	1" x 4-1/2" Nipple
72*	142602	1	1" Union
73*	142621	1	1" x 32" Nipple with Holes
74*	142591	1	1" Pipe Cap

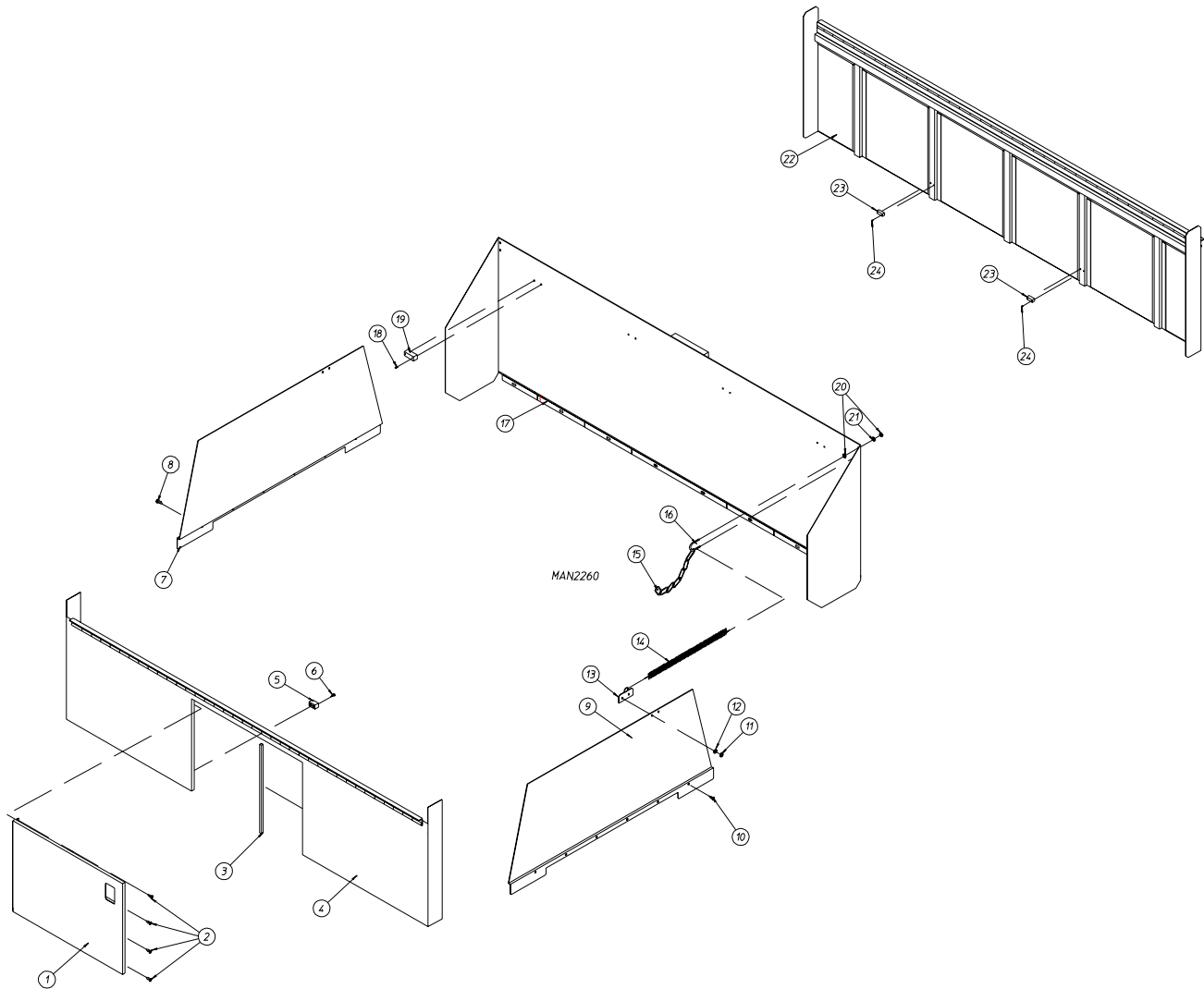
* For models mfd. as of November 14, 1996.



Illus. No.	Part No.	Qty.	Description
1	331877	1	Temperature Sensor Mounting Plate
2	150523	2	1/4-20 x 3/4" Hex Head Washer TEK Screw
3	881227	1	RTD (Resistive Temperature Device) Temperature Probe Assembly (includes illus. nos. 3, 4, and 8)
4	143296	1	1/4" Compression Fitting
5	120652	1	1/2" N.P.T. Cord Grip (Red)
6	120915	1	1/2" N.P.T. Locknut
7	120914	1	1/2" Metal "O" Ring
8	122736	3	Yellow Ferrule
9	881228	1	Sprinkler Temperature Probe Box Assembly (includes illus. nos. 9 and 12)
10	152000	2	#6-32 Hex Nut
11	120703	1	6-Position Terminal Block
12	122427	1	"!" Caution Label
13	150008	2	#6-32 x 1-1/4" Phillips Round Head Machine Screw
14	122736	3	Yellow Ferrule
15	120914	1	1/2" Metal "O" Ring
16	120915	1	1/2" N.P.T. Locknut
17	120650	1	1/2" N.P.T. Cord Grip (White)
18	881229	1	Sprinkler Temperature Probe Harness



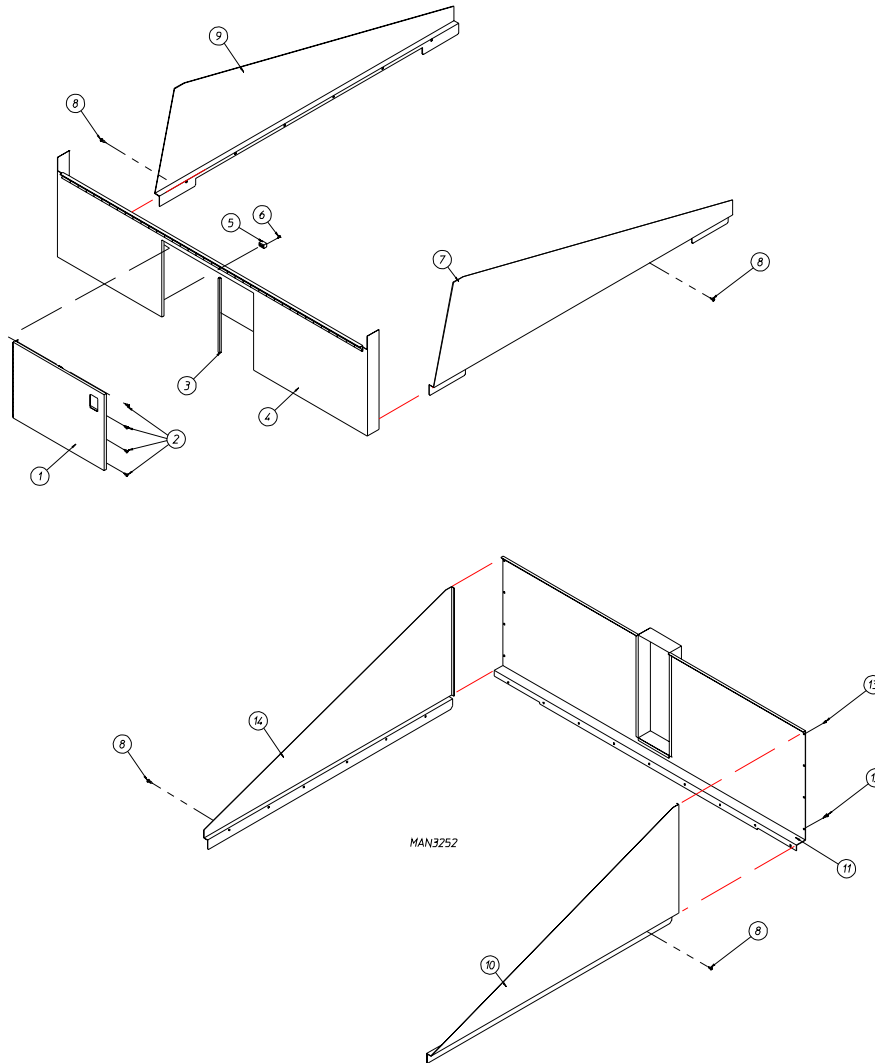
<u>Illus. No.</u>	<u>Part No.</u>	<u>Qty.</u>	<u>Description</u>
1	334169	1	Front Base Panel
2	150522	6	1/4-20 x 1/2" Hex Washer Head Machine Screw
3	334169	1	Front Base Panel
4	150522	6	1/4-20 x 1/2" Hex Washer Head Machine Screw
5	881530	1	Left Side Base Panel (for Gas Models Only)
	881531	1	Left Base Panel (for Gas Models with Sprinkler Option Only)
	881532	1	Left Base Panel (for Gas Models with Side Exhaust Only)
	881533	1	Left Base Panel (for Steam Models Only)
	881534	1	Left Base Panel (for Steam Models with Side Exhaust Only)
6	150522	10	1/4-20 x 1/2" Hex Washer Head Machine Screw
7	150522	6	1/4-20 x 1/2" Hex Washer Head Machine Screw
8	334158	1	Rear Right Base Panel
	334234	1	Rear Right Base Panel (for ALL models with Side Exhaust Only)
9	334168	1	Rear Left Base Panel
	334234	1	Rear Left Base Panel (for ALL models with Side Exhaust Only)
10	150522	6	1/4-20 x 1/2" Hex Washer Head Machine Screw
11	334296	1	Right Side Rear Base Panel (for Gas Models Only)
12	334066	1	Gas Inlet Base Panel (for Gas Models Only)
13	150522	6	1/4-20 x 1/2" Hex Washer Head Machine Screw
14	334297	1	Right Side Front Base Panel (for Gas Models Only)
15	150522	12	1/4-20 x 1/2" Hex Washer Head Machine Screw
16	334210	1	Right Side Base Panel (for Steam Models Only)
17	150522	12	1/4-20 x 1/2" Hex Washer Head Machine Screw



2-WAY TILT

<u>Illus. No.</u>	<u>Part No.</u>	<u>Qty.</u>	<u>Description</u>
1	881200	1	Front Guard Door ONLY
2	150300	4	#10 x 1/2" Hex Washer TEK Screw
3	170606	1	Door Magnet
4	881199	1	Front Guard Panel ONLY (includes illus. nos. 3 through 6)
	881201	1	Front Guard Assembly Complete (includes illus. nos. 1 through 6)
5	170348	4	Front Guard Nylon Glide
6	150412	8	#10-16 x 3/4" Phillips Round Head Crimptite Screw
7	334316	1	Side Shield Assembly
8	150522	6	1/4-20 x 1/2" Hex Washer Head Machine Screw
9	334316	1	Side Shield Assembly
10	150522	6	1/4-20 x 1/2" Hex Washer Head Machine Screw
11	152002	4	1/4-20 Hex Nut
12	153007	4	1/4" Lock Washer
13	881188	2	Spring Catch Assembly
14	157014	2	Spring
15	108121	2	Rear Panel Chain
16	154354	2	3/4" Pipe U-Bolt
17	881198	1	Rear Guard Assembly Complete (includes illus. nos. 15 through 21) For 1 Door Models ONLY
	881197	1	Rear Guard ONLY
18	150309	8	#10-16 x 1/2" Hex Head TEK Crimptite Screw
19	170345	4	Nylon Glide
20	152002	8	1/4-20 Hex Nut
21	153007	4	1/4" Lock Washer
22	881535	1	Rear Guard Assembly Complete (includes illus. nos. 22 through 24) For 2 Door Models ONLY
23	170348	2	Nylon Glide
24	150412	4	#10-16 x 3/4" Phillips Round Head Crimptite Screw

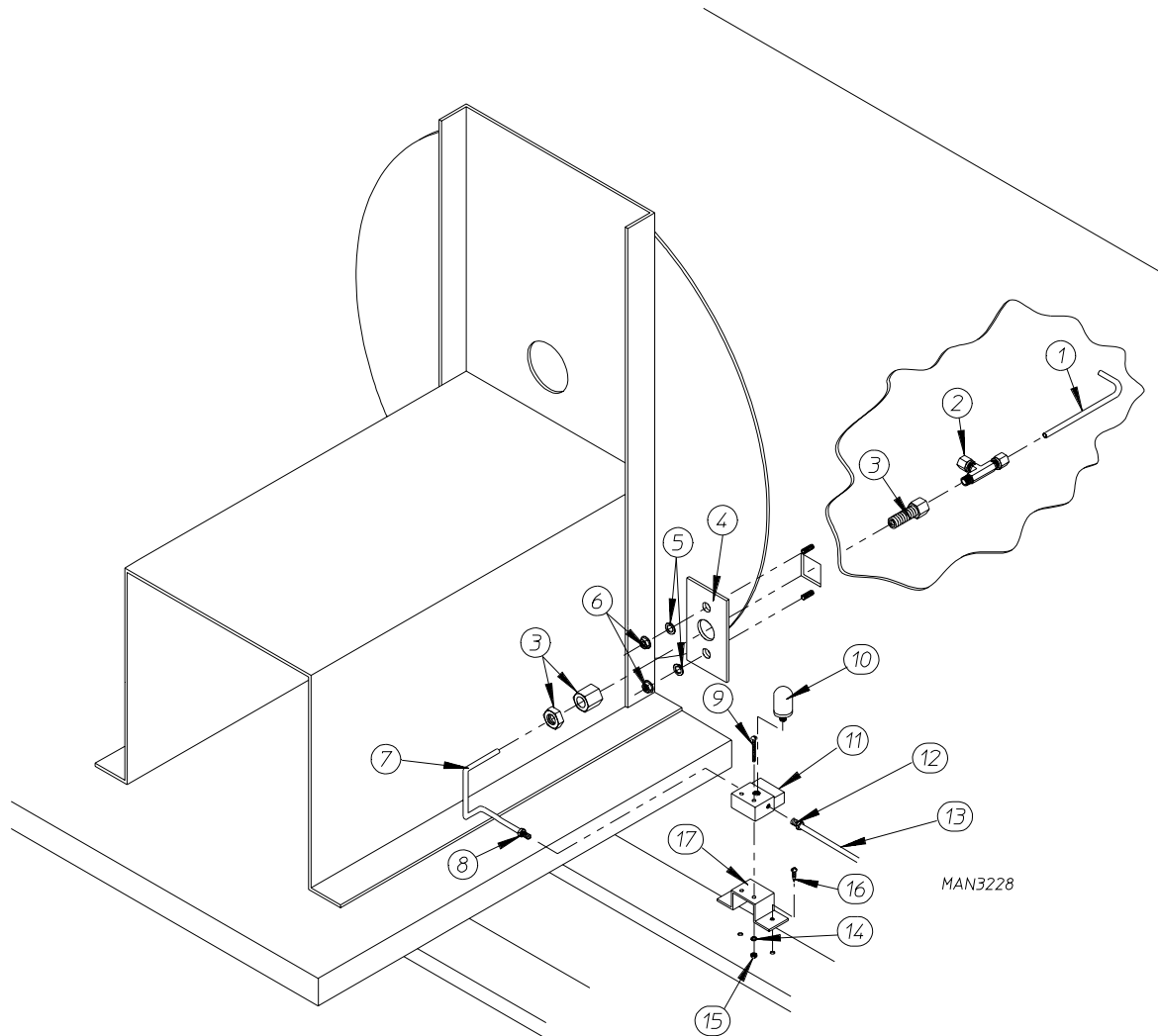
* Specify color when ordering.



<u>Illus. No.</u>	<u>Part No.</u>	<u>Qty.</u>	<u>Description</u>
1*	881200	1	Front Guard Door ONLY
2*	150300	4	#10 x 1/2" Hex Washer TEK Screw
3*	170606	1	Door Magnet
4*	881199	1	Front Guard Panel ONLY (includes illus. nos. 3 through 6)
5*	170348	4	Front Guard Nylon Glide
6*	150412	8	#10-16 x 3/4" Phillips Round Head Crimptite Screw
7*	334239	1	Right Side Shield
8	150522	10	1/4-20 x 1/2" Hex Washer Head Machine Screw
9**	334238	1	Left Side Shield
10**	334301	1	Right Side Shield
11**	881536	1	Rear Guard Assembly
12**	150522	9	1/4-20 x 1/2" Hex Washer Head Machine Screw
13**	150309	6	#10-16 x 1/2" Hex Head TEK Crimptite Screw
14**	334300	1	1 Door/Forward Tilt Left Side Shield

* For Rear Tilt Models ONLY.

** For Forward Tilt Models ONLY.



<u>Illus. No.</u>	<u>Part No.</u>	<u>Qty.</u>	<u>Description</u>
1	332700	1	Air Jet Tube
2	143287	1	Male Run Tee (1/4" Tube x 1/8" M.P.T.)
3	143259	1	1/4" Compression x 1/8" F.P.T. Fitting
4	332531	1	Air Jet Mounting Plate
5	153007	2	1/4" Lock Washer
6	152002	2	1/4-20 Hex Nut
7	882157	1	1 Foot Aluminum Tubing
8	143152	1	1/4" Compression x 1/8" M.P.T. Fitting
9	150002	2	#6-32 x 1" Phillips Round Head Machine Screw
10	100520	1	1/8" Silencer (muffler)
11	100498	1	3-Way Valve
12	100472	1	1/4" Poly x 1/8" M.P.T. Connector
13	143110	-	1/4" Poly-Flo Tube (sold by the foot)
14	153010	2	#6 Star Washer
15	152000	2	#6-32 Hex Nut
16	150309	2	#10-16 x 1/2" Hex Head TEK Crimptite Screw
17	330987	1	Valve Support Bracket

ADC450170

1 - 04/07/97-25
4* 04/14/98-25
7 - 03/09/01-25

2 - 06/16/72-25
5* 06/07/99-25

3 - 11/18/97-15
6 - 01/06/00-25

