



AD-52 Aquatex Parts Manual 1995 thru 2000

American Dryer Corporation
88 Currant Road
Fall River, MA 02720-4781
Telephone: (508) 678-9000 / Fax: (508) 678-9447
e-mail: techsupport@amdry.com

Retain This Manual In A Safe Place For Future Reference

American Dryer Corporation products embody advanced concepts in engineering, design, and safety. If this product is properly maintained, it will provide many years of safe, efficient, and trouble-free operation.

ONLY qualified technicians should service this equipment.

OBSERVE ALL SAFETY PRECAUTIONS displayed on the equipment or specified in the installation/operator's manual included with the dryer.

The following "FOR YOUR SAFETY" caution **must be** posted near the dryer in a prominent location.

FOR YOUR SAFETY

Do not store or use gasoline or other flammable vapors or liquids in the vicinity of this or any other appliance.

POUR VOTRE SÉCURITÉ

Ne pas entreposer ni utiliser d'essence ni d'autres vapeurs ou liquides inflammables dans le voisinage de cet appareil ou de tout autre appareil.

We have tried to make this manual as complete as possible and hope you will find it useful. ADC reserves the right to make changes from time to time, without notice or obligation, in prices, specifications, colors, and material, and to change or discontinue models.

Important

For your convenience, log the following information:

DATE OF PURCHASE _____ MODEL NO. **AD-52 AQUATEX**

DISTRIBUTORS NAME _____

Serial Number(s) _____

Replacement parts can be obtained from your distributor or the ADC factory. When ordering replacement parts from the factory, you can FAX your order to ADC at (508) 678-9447 or telephone your orders directly to the ADC Parts Department at (508) 678-9000. Please specify the dryer **model number** and **serial number** in addition to the **description** and **part number**, so that your order is processed accurately and promptly.

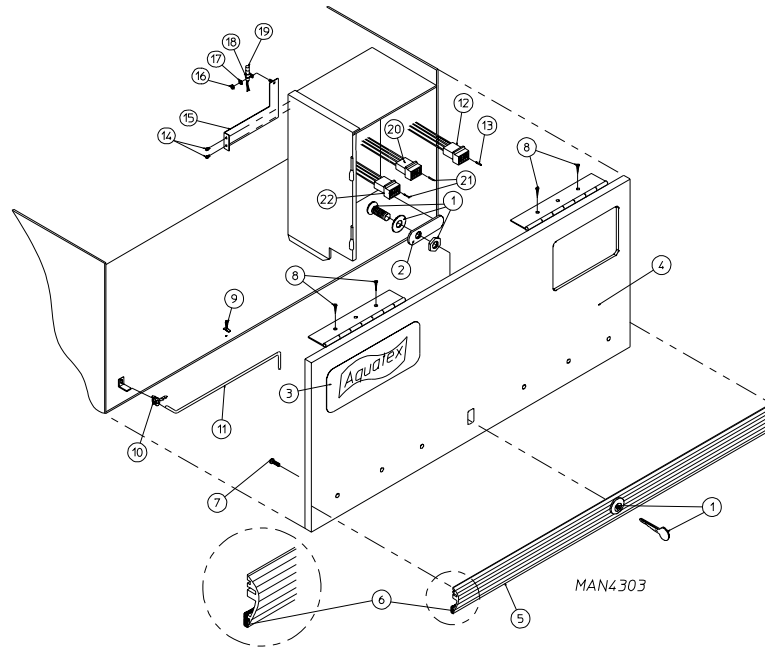
The illustrations on the following pages may not depict your particular dryer exactly. The illustrations are a composite of the various dryer models. Be sure to check the descriptions of the parts thoroughly before ordering.

"IMPORTANT NOTE TO PURCHASER"

Information must be obtained from your local gas supplier on the instructions to be followed if the user smells gas. These instructions must be posted in a prominent location near the dryer.

Table of Contents

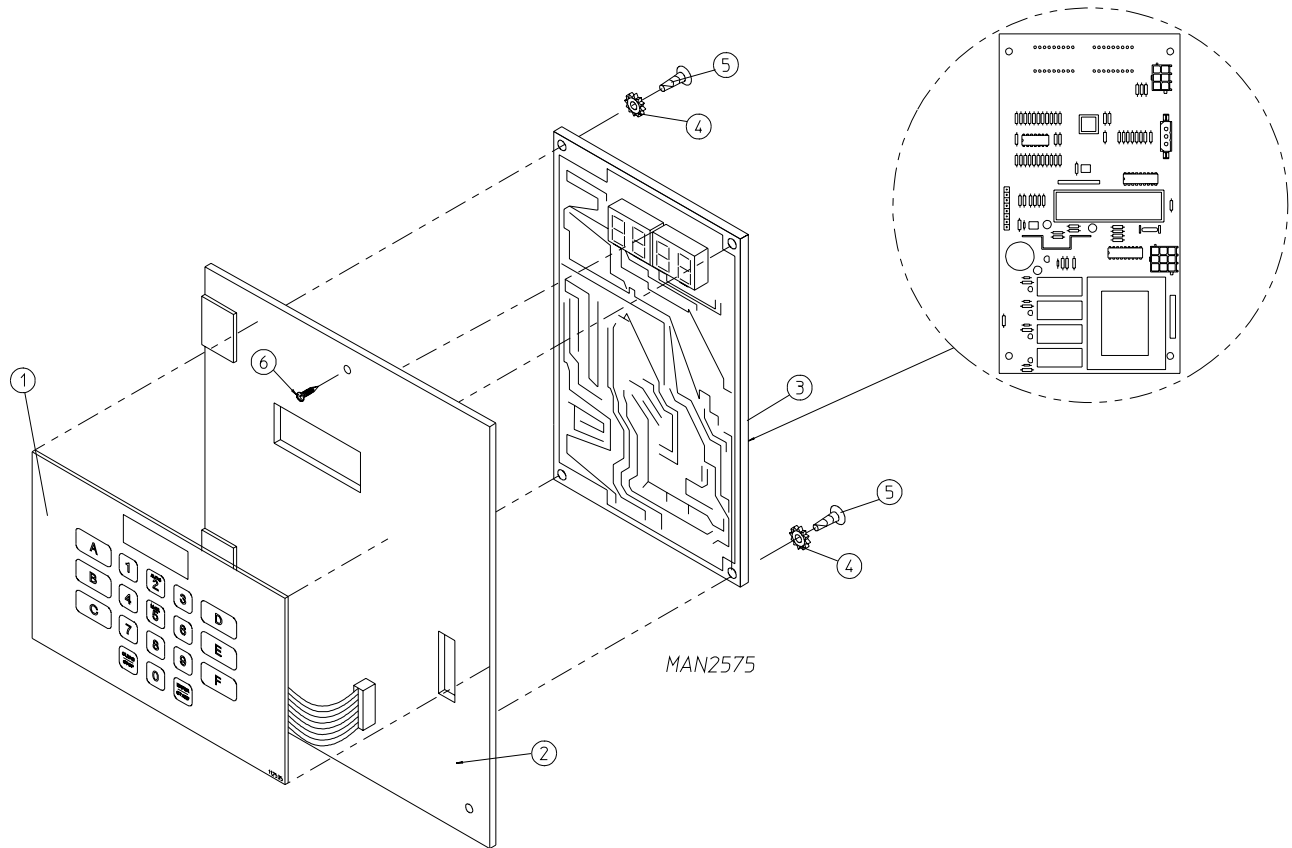
HIGH SECURITY CONTROL DOOR ASSEMBLY	2
MICROPROCESSOR CONTROL PANEL ASSEMBLY	3
MAIN DOOR ASSEMBLY	4
MAIN DOOR SWITCH	5
FRONT PANEL ASSEMBLY	6
BASKET (TUMBLER)/SUPPORT ASSEMBLIES	7
DROP LINT DOOR ASSEMBLY	8
LINT TRAP ASSEMBLY	9
TUMBLER BEARING ASSEMBLY	10, 11
IDLER BEARING ASSEMBLY	12
HI-LIMIT SENSOR BRACKET	13
TOTALLY ENCLOSED, FAN-COOLED (T.E.F.C.) MOTOR MOUNT ASSEMBLY	14, 15
DIRECT SPARK IGNITION (DSI) BURNER ASSEMBLY	16, 17
ELECTRIC OVEN ASSEMBLY	18, 19
SAIL SWITCH/HIGH LIMIT ASSEMBLIES	20
REAR ELECTRIC PANEL ASSEMBLY <i>FOR 120 VOLT GAS MODELS ONLY</i>	21
REAR ELECTRICAL PANEL ASSEMBLY <i>FOR 208-240 VOLT GAS MODELS ONLY</i>	22
REAR ELECTRIC PANEL ASSEMBLY <i>FOR 208-240 VOLT ELECTRIC MODELS ONLY</i>	23
REAR ELECTRIC PANEL ASSEMBLY <i>FOR 416 VOLT ELECTRIC MODELS ONLY</i>	24
DISCONNECT PANEL ASSEMBLY <i>FOR 120 VOLT GAS MODELS ONLY</i>	25
DISCONNECT PANEL ASSEMBLY <i>FOR 208-240 VOLT GAS MODELS ONLY</i>	26
DISCONNECT PANEL COVER <i>FOR GAS MODELS ONLY</i>	27
MAIN ELECTRICAL DISCONNECT/AIR FILTER ASSEMBLY	28
<i>FOR GAS MODELS ONLY</i>	29
REAR VIEW <i>FOR ELECTRIC MODELS ONLY</i>	30
REAR/TOP PANEL ASSEMBLIES <i>FOR ELECTRIC MODELS ONLY</i>	31
REAR/TOP PANEL ASSEMBLIES <i>FOR GAS MODELS ONLY</i>	32
HUMIDITY TRANSMITTER ASSEMBLY	33
ELECTRIC OVEN APPLICATIONS CHART	34



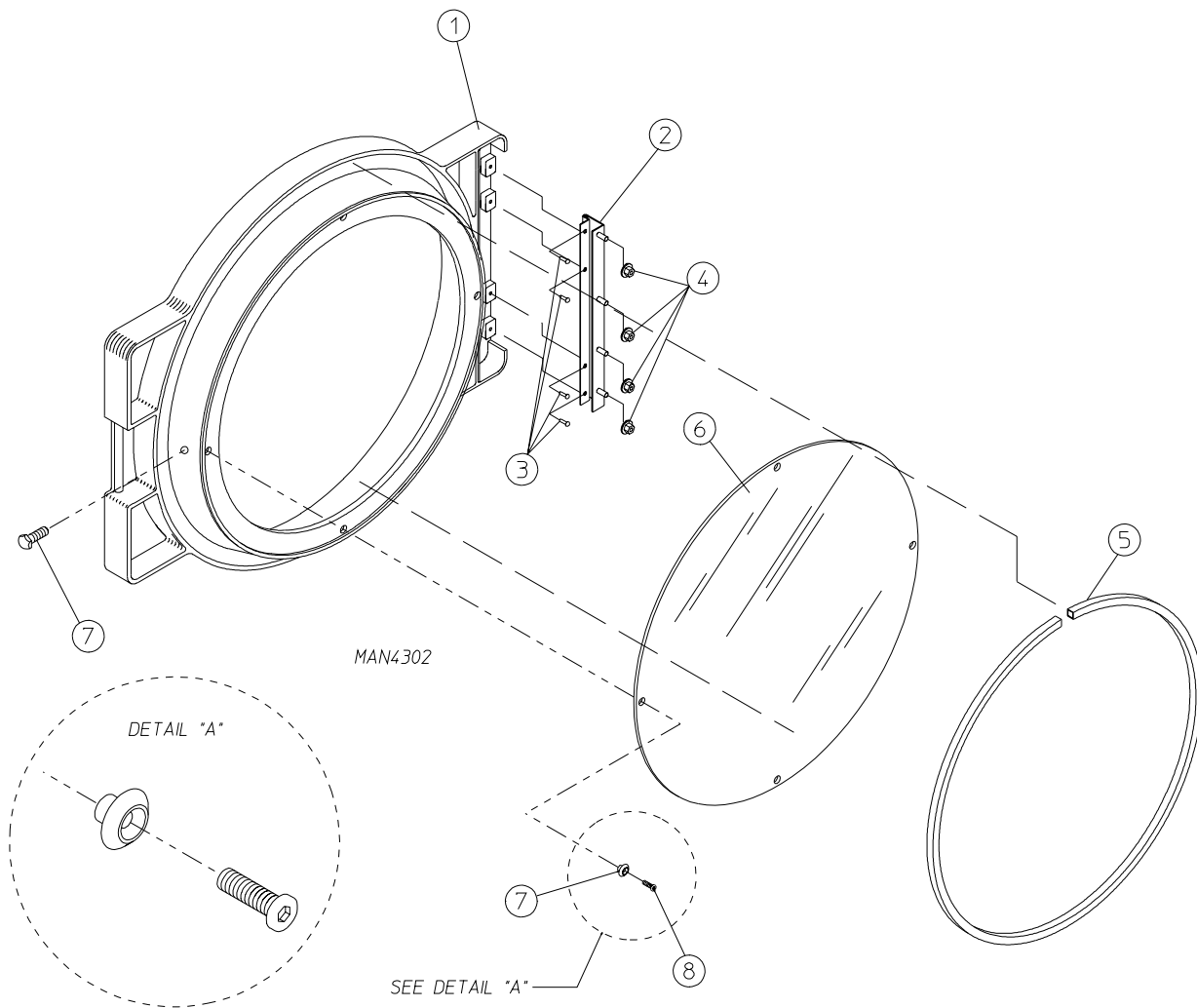
<u>Illus. No.</u>	<u>Part No.</u>	<u>Qty.</u>	<u>Description</u>
1	160017	1	Special Dummy Lock ONLY
2	160016	1	Lock Cam ONLY
3	112352	1	Logo ONLY
4	881349*	1	Control Door Assembly Less Lock (includes illus. nos. 4 through 7)
	881350*	1	Stainless Steel Control Door Assembly Less Lock (includes illus. nos. 4 through 7)
5	180201	1	Top Trim Strip with Lock Hole
6	117603	3	Noise Suppressor Tape (sold by the foot)
7	150201	5	#10-32 x 1/4" Phillips Round Head Machine Screw
8	150300	4	#10 x 1/2" Hex Washer TEK Screw
9	102600	1	Control Door Support Rod Catch
10	102601	1	Control Door Rod Retainer Clip
11	102502	1	Control Door Support Rod
12	122641	1	15-Pin Microprocessor Connector
13	122706	**	Socket
14	153000	2	#10 x 1/2" Hex Head Machine Screw
15	319754	1	Bracket
16	152001	1	#8-32 Hex Nut
17	153018	1	#8 Internal Star Washer
18	121488	1	3/8" Rubber Cushioned Clamp
19	136989	1	Humidity Sensor Assembly
20	122640	1	9-Pin Connector
21	122706	**	Socket Mate-N-Lock
22	122642	1	6-Pin Connector

* Specify color when ordering.

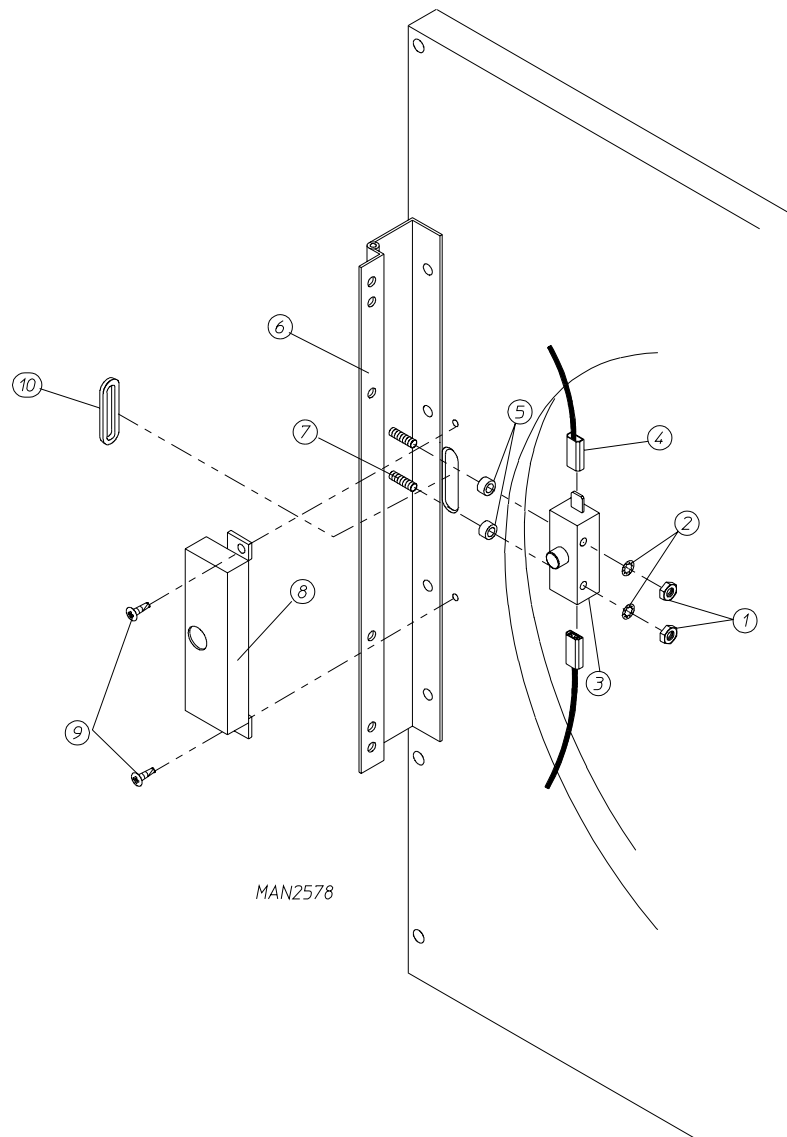
** As required.



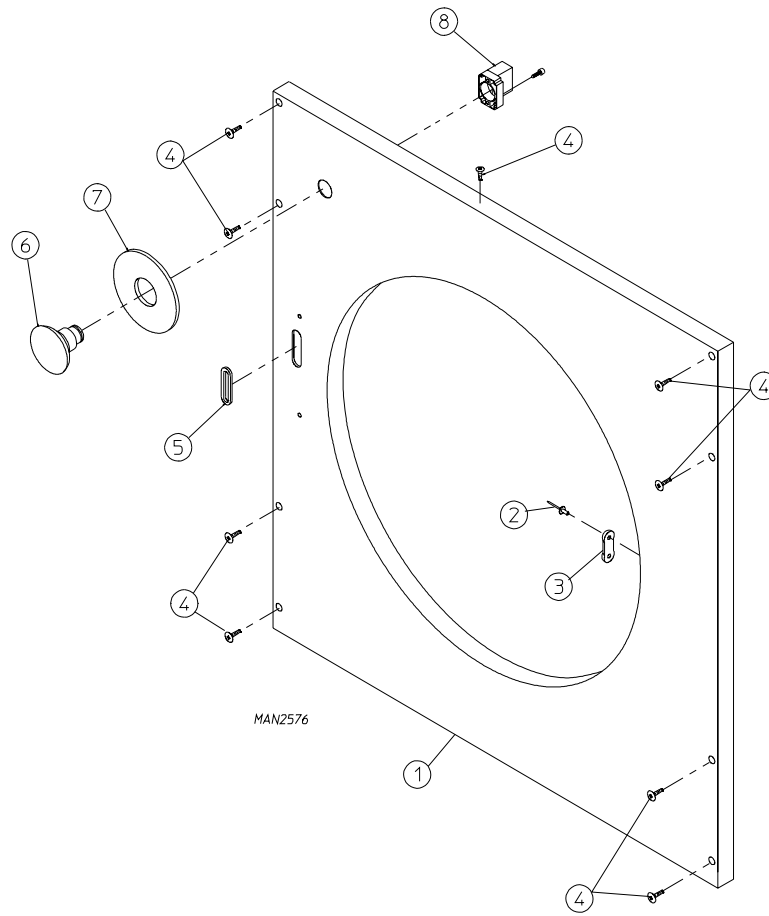
<u>Illus. No.</u>	<u>Part No.</u>	<u>Qty.</u>	<u>Description</u>
1	112535	1	OPL English Keyboard Label Assembly
2	801255	1	Phase 5 Microprocessor Control Panel ONLY
	881319	1	Microprocessor Control Panel Assembly Complete (includes illus. nos. 1 through 6)
3	137108	1	Phase 5 Microprocessor Controller (computer)
4	153010	2	# 6 Star Washer
5	150005	2	# 6-32 x 1/4" Phillips Round Head Machine Screw
6	150309	1	# 10-16 x 1/2" Phillips Hex Head TEK Crimptite Screw



<u>Illus. No.</u>	<u>Part No.</u>	<u>Qty.</u>	<u>Description</u>
1	881421	1	Gray Plastic Main Door Assembly Complete with Mechanical Fasteners (includes illus. nos. 1 and 5 through 9)
2	800448	4	12-1/2" Stainless Steel Main Door Hinge Assembly
3	150410	4	#10-24 x 3/8" Phillips Pan Head Taptite Screw
4	152014	1	1/4-20 Free Spin Wash Nut
5	102349	1	Main Door Gasket
6	102212	1	20-7/16" Door Glass with (4) Holes
	170730	1	Main Door Glass Adhesive (10.3 oz. cartridge)
7	150448	4	1/2" Stainless Steel Flat Head Allen Screw
8	170319	4	Door Glass (Nylon) Spacer
9	150431	1	Main Door Latch Screw (#10 x 7/16" Dome Hex Head)

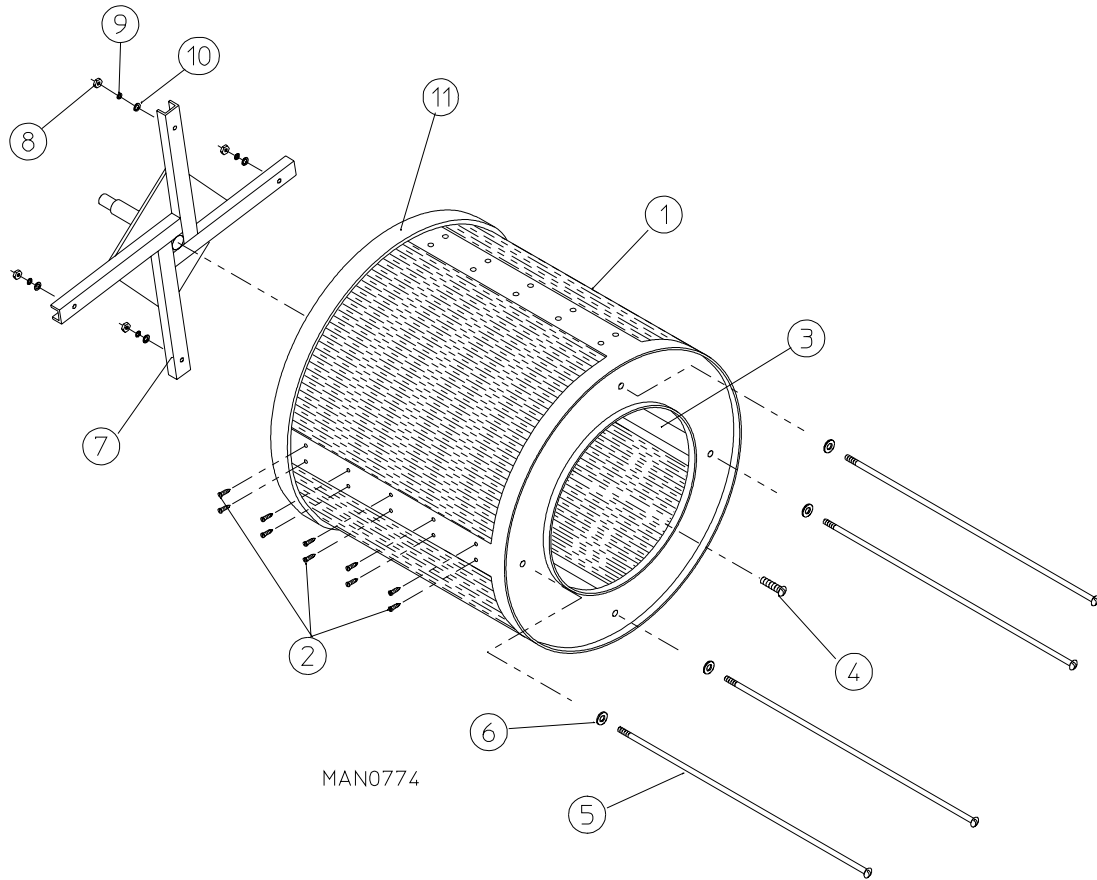


<u>Illus. No.</u>	<u>Part No.</u>	<u>Qty.</u>	<u>Description</u>
1	152013	2	#6-32 Hex Nut
2	153008	2	#6 Lock Washer
3	137005	1	Single Pole Door Switch
4	121028	2	Insulated Female Terminal
5	154281	2	3/8" Standard Nylon Spacer
6	800448	1	12-1/2" Stainless Steel Main Door Hinge Assembly (includes illus. nos. 6 and 7)
7	153565	2	#6 Stud
8	313218	1	Main Door Switch Housing
9	150201	2	#10-32 x 1/4" Phillips Pan Head Screw
10	121405	1	Rubber Grommet



<u>Illus. No.</u>	<u>Part No.</u>	<u>Qty.</u>	<u>Description</u>
1	881328*	1	Left Hand Front Panel (includes illus. nos. 1 through 3 and 5)
	881329*	1	Stainless Steel Left Hand Front Panel (includes illus. nos. 1 through 3 and 5)
2	154215	2	5/32" Pop Rivet
3	170330	1	Friction Door Latch
4	150309	8	#10-16 x 1/2" Phillips Round Head Crimptite Screw
5	121405	1	Rubber Grommet
6	122351	1	"EMERGENCY STOP" (E-Stop) Twist and Lock Operator
7	122419	1	"EMERGENCY STOP" (E-Stop) Label
8	132395	1	Normally Closed Contact Block with Base

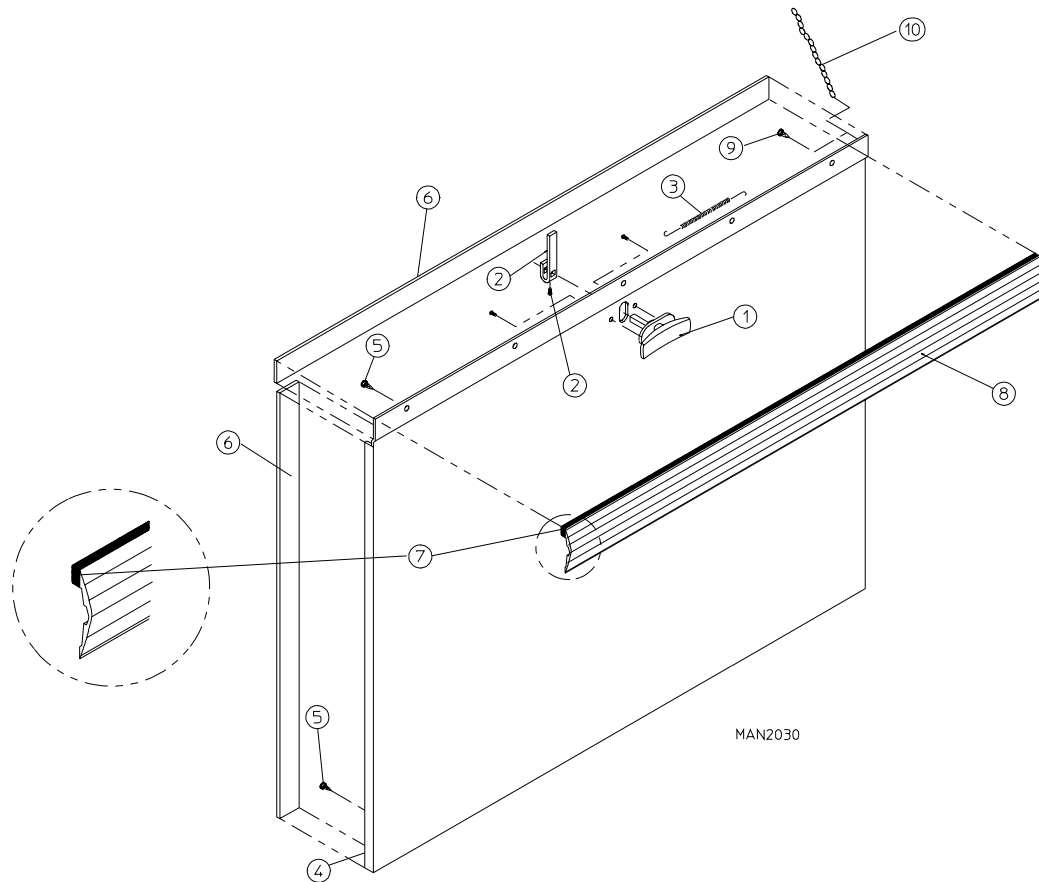
* Specify color when ordering.



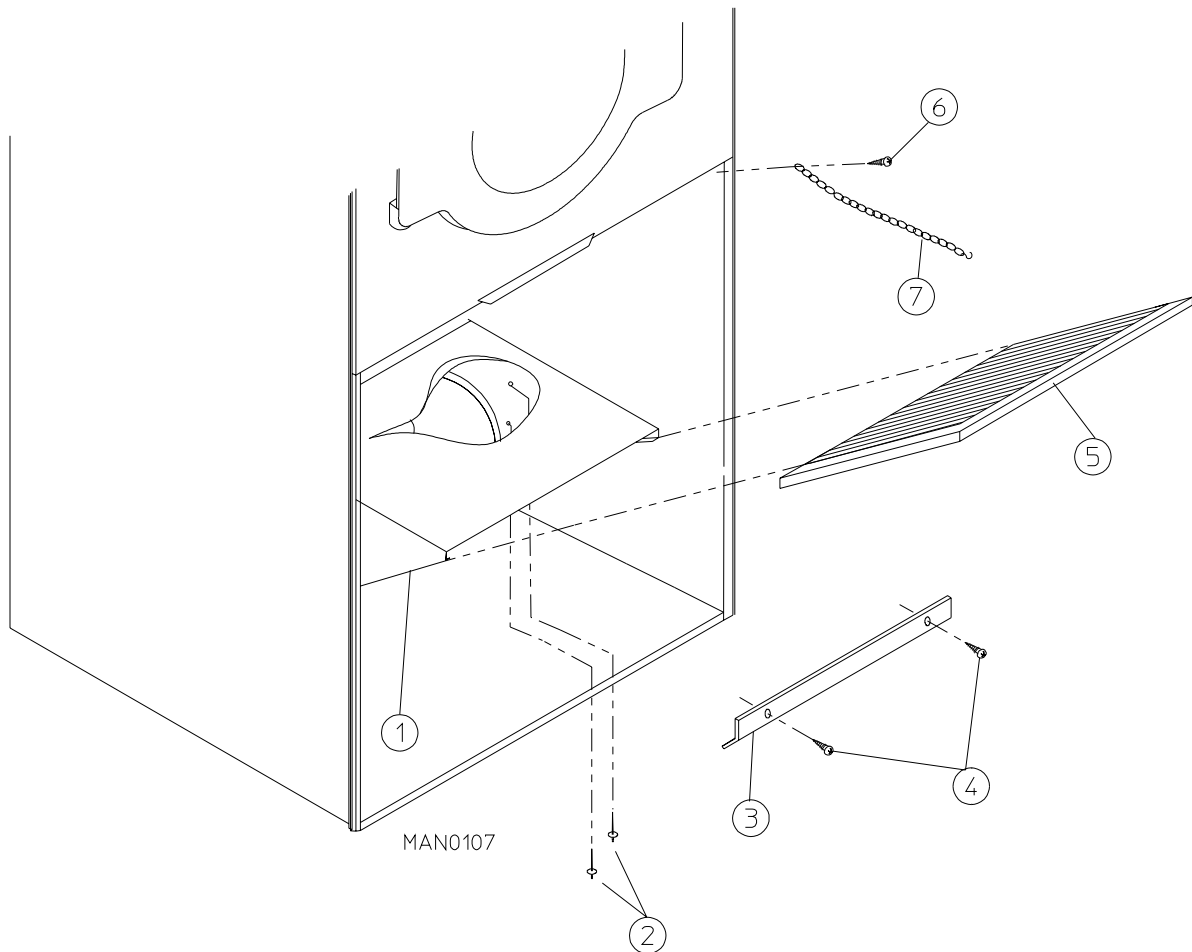
<u>Illus. No.</u>	<u>Part No.</u>	<u>Qty.</u>	<u>Description</u>
1*	800838	1	Galvanized Basket (Tumbler) ONLY (without felt collar)
	800837**	1	Non-Reversing Galvanized Basket (Tumbler) and Support Assembly with Tapered Ribs (includes illus. nos. 1 through 10)
2	150309	40	#10-16 x 1/2" Phillips Round Hex Head TEK Crimptite Screw
3	301302	2	Basket (Tumbler) Rib ONLY (Low Rib)
	301311	2	Tapered Basket (Tumbler) Baffle Rib ONLY (High Rib)
4	150500	1	5/16-18 x 3/4" Socket Button Head Screw
5	100903	4	3/8-16 x 38-1/2" Tie Rod
6	153004	4	3/8" Flat Washer
7	800616	1	Non-Reversing Basket (Tumbler) Support ONLY
8	152005	4	3/8-16 Hex Nut
9	153005	4	3/8" Lock Washer
10	153004	4	3/8" Flat Washer
11	116001	1	Felt Collar ONLY
--	401010	1	#847 Adhesive for Felt Collar (5.0 oz tube)

* For stainless steel basket (tumbler) contact factory

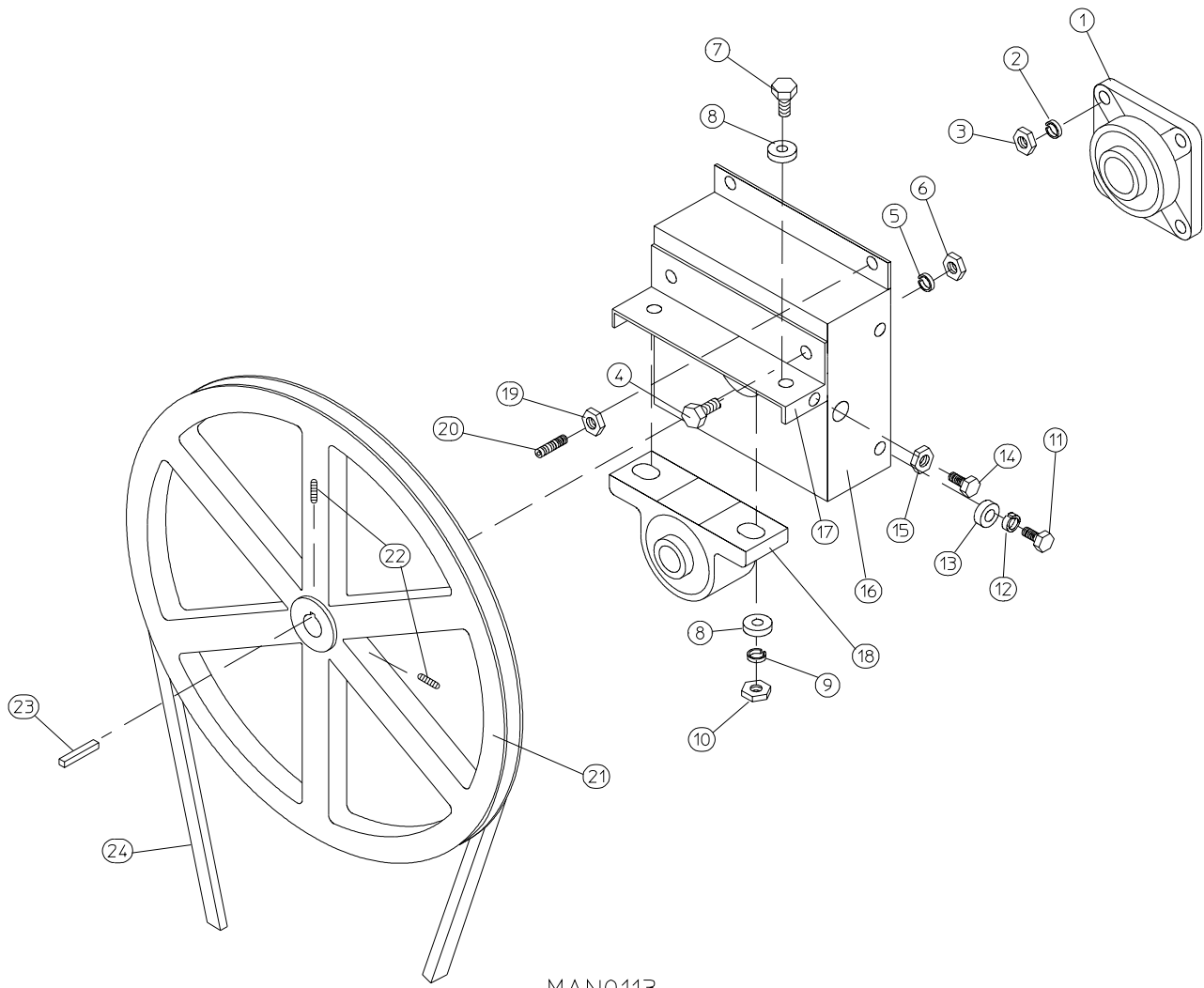
** Felt collar is **not included** and **must be** ordered separately



<u>Illus. No.</u>	<u>Part No.</u>	<u>Qty.</u>	<u>Description</u>
1	800150	1	Knob Latch Kit Assembly
	160200	1	Knob Latch ONLY with Two (2) Screws
	160003	1	Dummy Lock Only
2	160008	1	Lock Cam For Dummy Lock
	160009	1	Knob Latch Adjustable Cam
	150425	1	#12-24 x 3/8" Round Head Machine Screw (for Knob Latch Adjustable Cam)
3	157000	1	Drop Lint Door Spring
4	881351	1	Drop Lint Door Assembly (includes illus. nos. 4 through 8)
	881353	1	Insulated Drop Lint Door Assembly (includes illus. nos. 4 through 8)
	881352	1	Stainless Steel Drop Lint Door Assembly
5	150201	10	#10-32 x 1/4" Phillips Pan Head Machine Screw
6	117604	7	Neoprene Sponge Tape (sold by the foot)
7	117603	3	Noise Suppressor Tape (sold by the foot)
8	180211	1	#31-1/8" Trim
9	150419	2	#6 x 1/2" Tamper Proof TEK Screw
	150418	1	Tamper Proof Screw Hand Driver
10	108120	1	Chain For Drop Lint Door

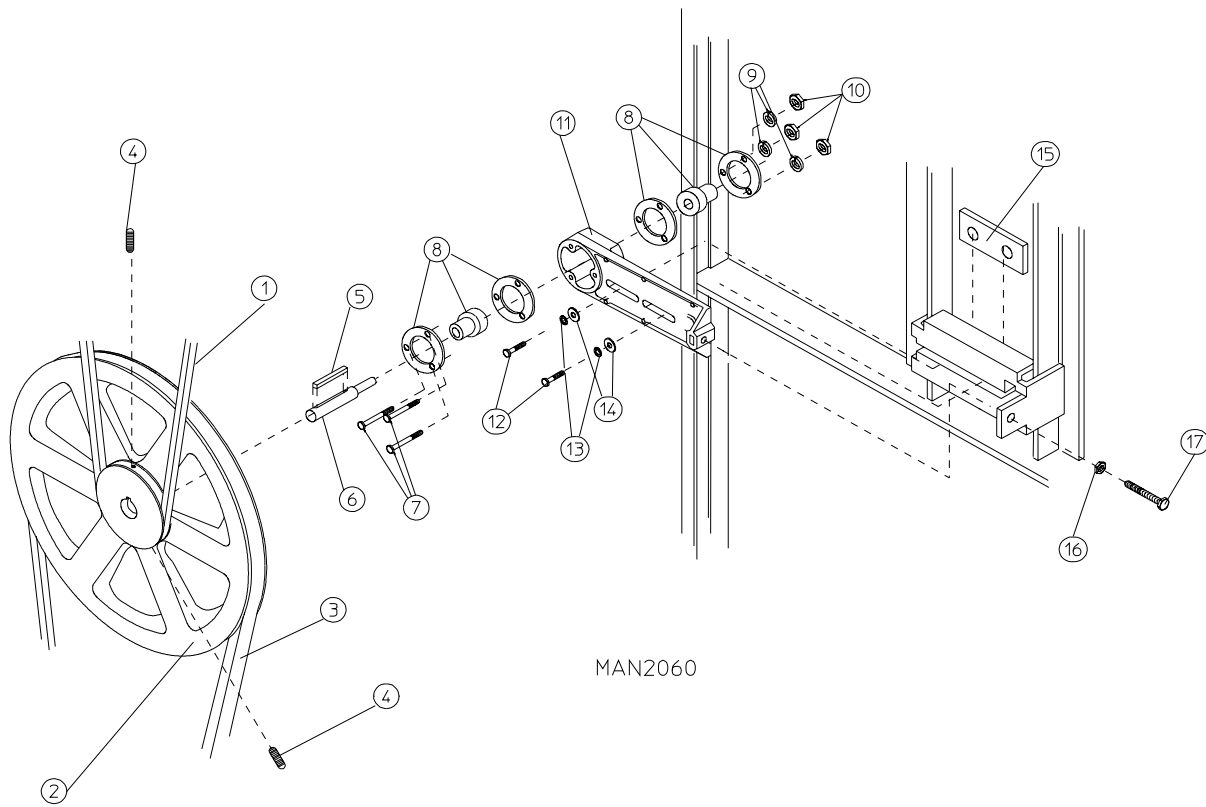


<u>Illus. No.</u>	<u>Part No.</u>	<u>Qty.</u>	<u>Description</u>
1	800402	1	Lint Trap Assembly Complete (includes illus. nos. 1, 3, 4, and 5)
	800404	1	Lint Trap Only
2	154200	7	5/32" Pop Rivet
3	304101	1	Lint Screen Holder ONLY
4	150300	2	#10 x 1/2" Hex Washer TEK Screw
5	800501	1	Lint Screen Holder ONLY
6	150419	2	#6 x 1/2" Tamper Proof TEK Screw
7	108120	1	Chain for Drop Lint Door
—	150418	1	Tamper Proof Screw Hand Driver

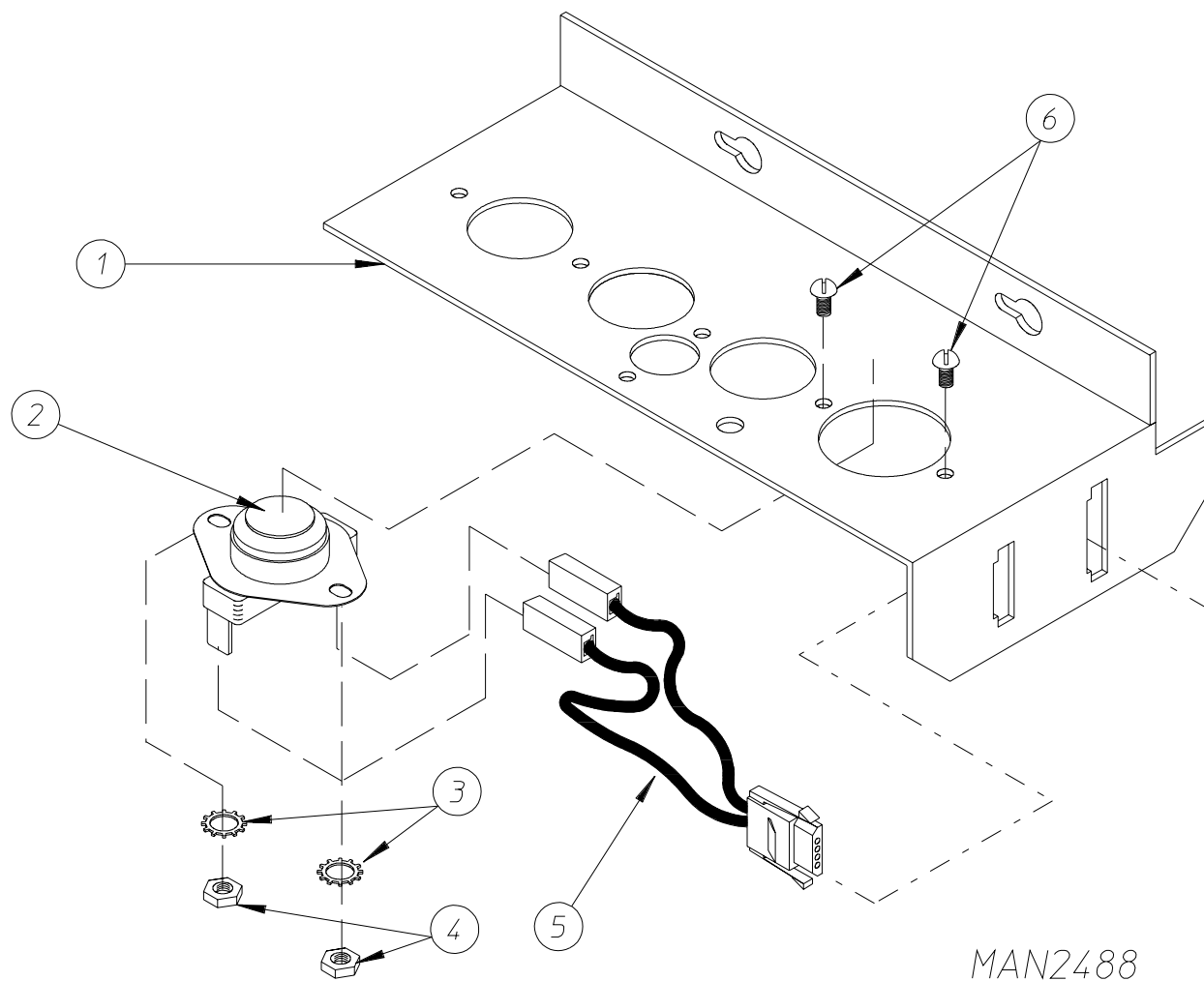


<u>Illus. No.</u>	<u>Part No.</u>	<u>Qty.</u>	<u>Description</u>
1	880220	1	1-3/4" Flange Bearing with Nylock Set Screw
2	153025	4	9/16" Lock Washer
3	152050	4	9/16-12 Hex Nut
4	150508	2	3/8-16 x 3/4" Hex Head Machine Bolt
5	153005	2	3/8" Lock Washer
6	152005	2	3/8-16 Hex Nut
7	150600	2	3/8-16 x 1-1/2" Hex Head Machine Bolt
8	153004	*	3/8" Flat Washer
9	153005	2	3/8" Lock Washer
10	152005	2	3/8-16 Hex Nut
11	150501	4	5/16-18 x 3/4" Hex Head Machine Bolt
12	153002	4	5/16" Lock Washer
13	153001	4	5/16" Flat Washer
14	150621	2	#5/16-18 x 1-1/2" Hex Head Machine Bolt
15	152004	2	#5/16-18 Hex Nut
16	801101	1	1-3/8" Bearing Box Assembly Complete (includes illus. nos. 4 through 20)
	801103	1	1-3/8" Bearing Box and Support ONLY (includes illus. nos. 4, 5, 6, 16, and 17)
	801105	1	1-3/8" Bearing Box ONLY
17	801104	1	Pillow Block Bearing Support ONLY
18	100202	1	1-3/8" Pillow Block Bearing
19	152004	2	#5/16-18 Hex Nut
20	150610	2	#5/16-18 x 1-1/2" Allen Set Screw
21	101100	1	18" Pulley (for Non-Reversing Models ONLY)
	100735	1	Shaft Key (for Taper Lock Hub)
22	154301	2	#5/16-18 x 5/16" Allen Set Screw
23	100713	1	1/4" x 1/4" x 7/8" Key
24	100108	1	5L-680 V-Belt (tumbler to idler) For Non-Reversing Models ONLY
	100106	1	5L-690 V-Belt (tumbler to idler) For Reversing Models ONLY

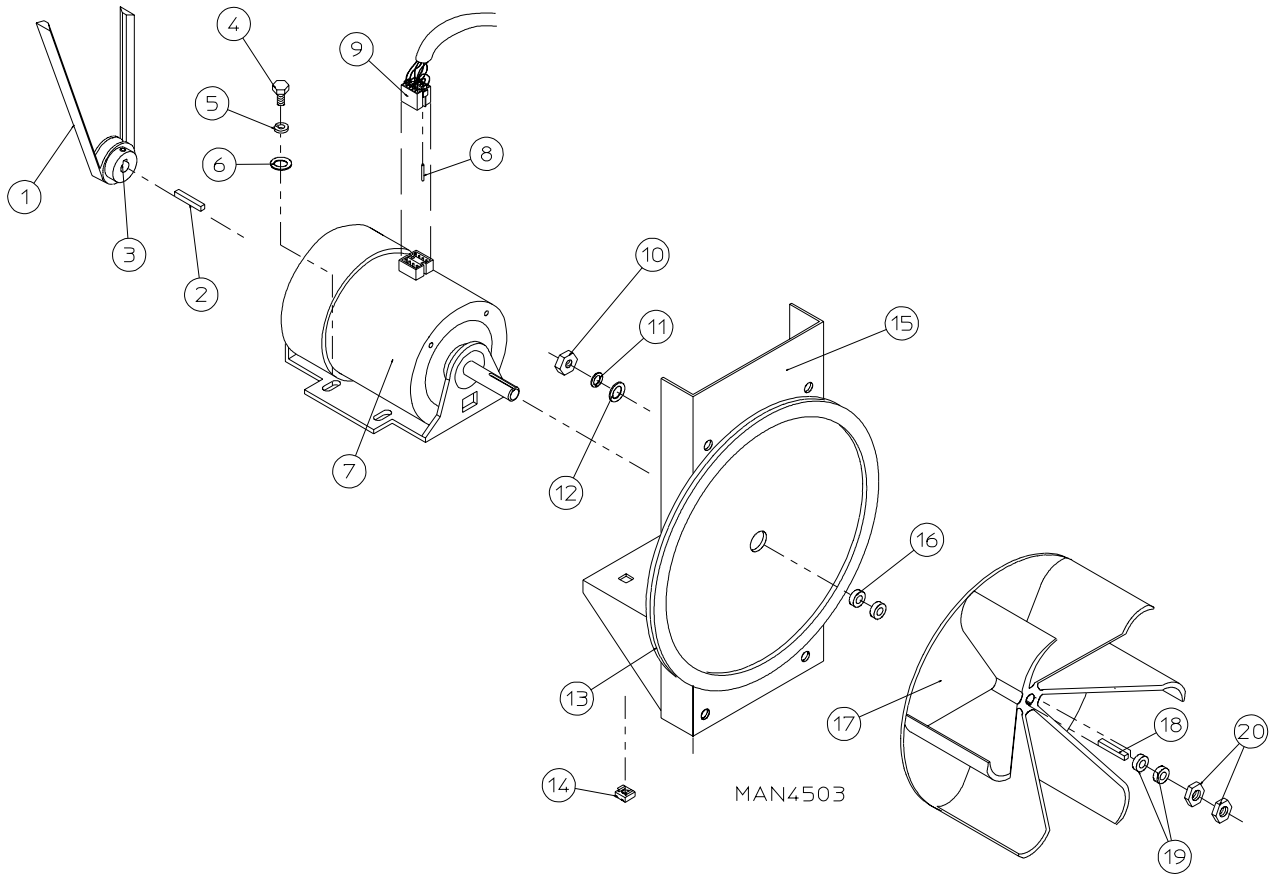
* As required



<u>Illus. No.</u>	<u>Part No.</u>	<u>Qty.</u>	<u>Description</u>
1	100108	1	5L-680 V-Belt (basket/tumbler to idler)
2	101129	1	9" x 2-1/2" Compound Pulley
3	100110	1	4L-500 V-Belt (for 60 Hz models Only)
	100103	1	4L-510 V-Belt (idler to motor)
			For 50 Hz Models ONLY
4	154301	2	5/16-18 x 5/16" Allen Set Screw
5	100705	1	3/16" x 3/16" x 1-3/8" Key
6	301850	1	5/8" x 3/4" Idler Shaft
7	150529	3	1/4-20 x 2-1/4" Carriage Bolt
8	100214	2	5/8" Flange Bearing
9	153007	3	1/4" Lock Washer
10	152002	3	1/4-20 Hex Nut
11	801007	1	Idler Bearing Assembly Complete (includes illus. nos. 6 through 17)
12	150617	2	3/8-16 x 1" Hex Head Machine Bolt
13	153005	2	3/8" Lock Washer
14	153004	2	3/8" Flat Washer
15	801009	1	Idler Square Washer
16	152004	1	5/16-18 Hex Nut
17	150509	1	5/16-18 x 3" Hex Head Machine Bolt

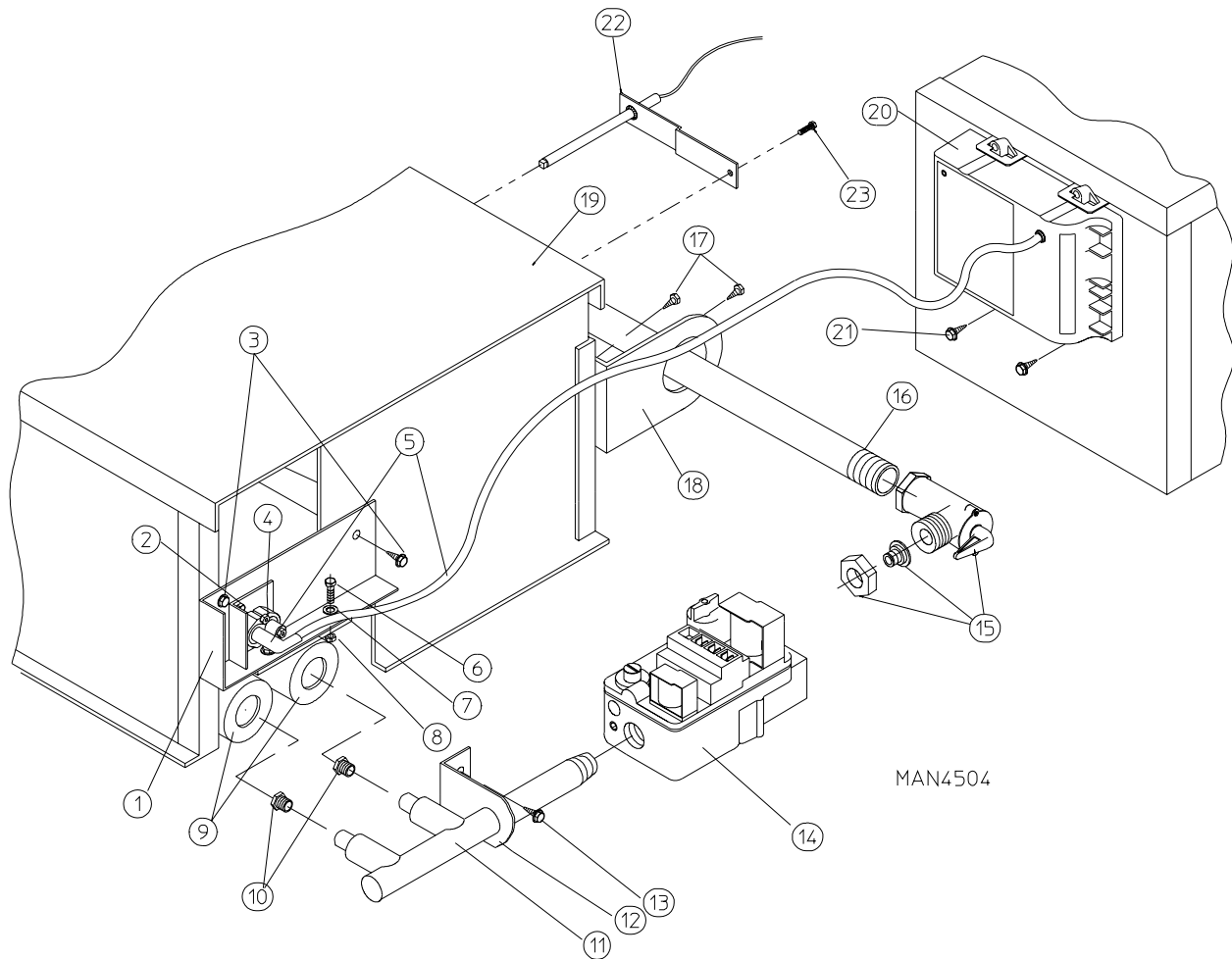


<u>Illus. No.</u>	<u>Part No.</u>	<u>Qty.</u>	<u>Description</u>
1	305007	1	Universal Sensor Bracket
2	130301	1	225° Hi-Limit Manual Reset Thermostat
3	153010	2	#6 Star Washer
4	152000	2	#6-32 Hex Nut
5	881354	2	Microprocessor Sensor Bracket Harness
6	150005	2	#6-32 x 1/4" Phillips Round Head Machine Screw



<u>Illus. No.</u>	<u>Part No.</u>	<u>Qty.</u>	<u>Description</u>
1	100112	1	4L-610 V-Belt (to idler assembly)
2	100701	1	3/16" x 3/16" x 1" Key
3	101139	1	5/8" x 2-3/4" Motor Pulley (for 60 Hz Models Only)
	101130	1	5/8" x 2-1/2" Motor Pulley (for 50 Hz Models Only)
4	150501	4	5/16-18 x 3/4" Hex Head Machine Bolt
5	153002	4	5/16" Lock Washer
6	153001	4	5/16" Flat Washer
7	100069	1	3/4 HP 120-230v 60 Hz 1Ø T.E.F.C. Motor with Plug (56Z Frame)
	100068	1	3/4 HP 240v 1Ø 50 Hz T.E.F.C. Motor with Plug (56Z Frame)
8	122701	8	Socket Terminal
	122801	1	Pin/Socket Extraction Tool
9	137030	1	8-Pin Female Housing Connector
10	152004	4	5/16-18 Hex Nut
11	153002	4	5/16" Lock Washer
12	153001	4	5/16" Flat Washer
13	117604	4	Neoprene Sponge Tape (sold by the foot)
14	154000	4	5/16-18 Tinnerman Nut
15	800905	1	Non-Reversing Motor Mount Only (56Z Frame)
	803970*	1	1/2 HP 208/230/380/460v 60 Hz 3Ø T.E.F.C. Motor Mount Assembly Complete (includes illus. nos. 2 through 6 and 13 through 22)
	830971*	1	1/2 HP 208/230/380/460v 3Ø 50 Hz T.E.F.C. Motor Mount Assembly Complete (includes illus. nos. 2 through 6 and 13 through 22)
	803988*	1	1/2 HP 115/230v 1Ø 60 Hz T.E.F.C. Motor Mount Assembly Complete with Plug Motor (includes illus. nos. 3 through 7 and 13 through 20)
	803989*	1	1/2 HP 240v 1Ø 50 Hz T.E.F.C. Motor Mount Assembly Complete with Plug Motor (includes illus. nos. 3 through 7 and 13 through 20)
16	153050	1	1/2" Flat Washer
17	100604	1	12-1/2" Impellor (Fan/Blower) with 1/2" Bore
18	100702	1	1/8" x 1/8" x 11/2" Key
19	153050	2	1/2" Flat Washer
20	152006	2	1/2-20 Left Hand Jam Nut

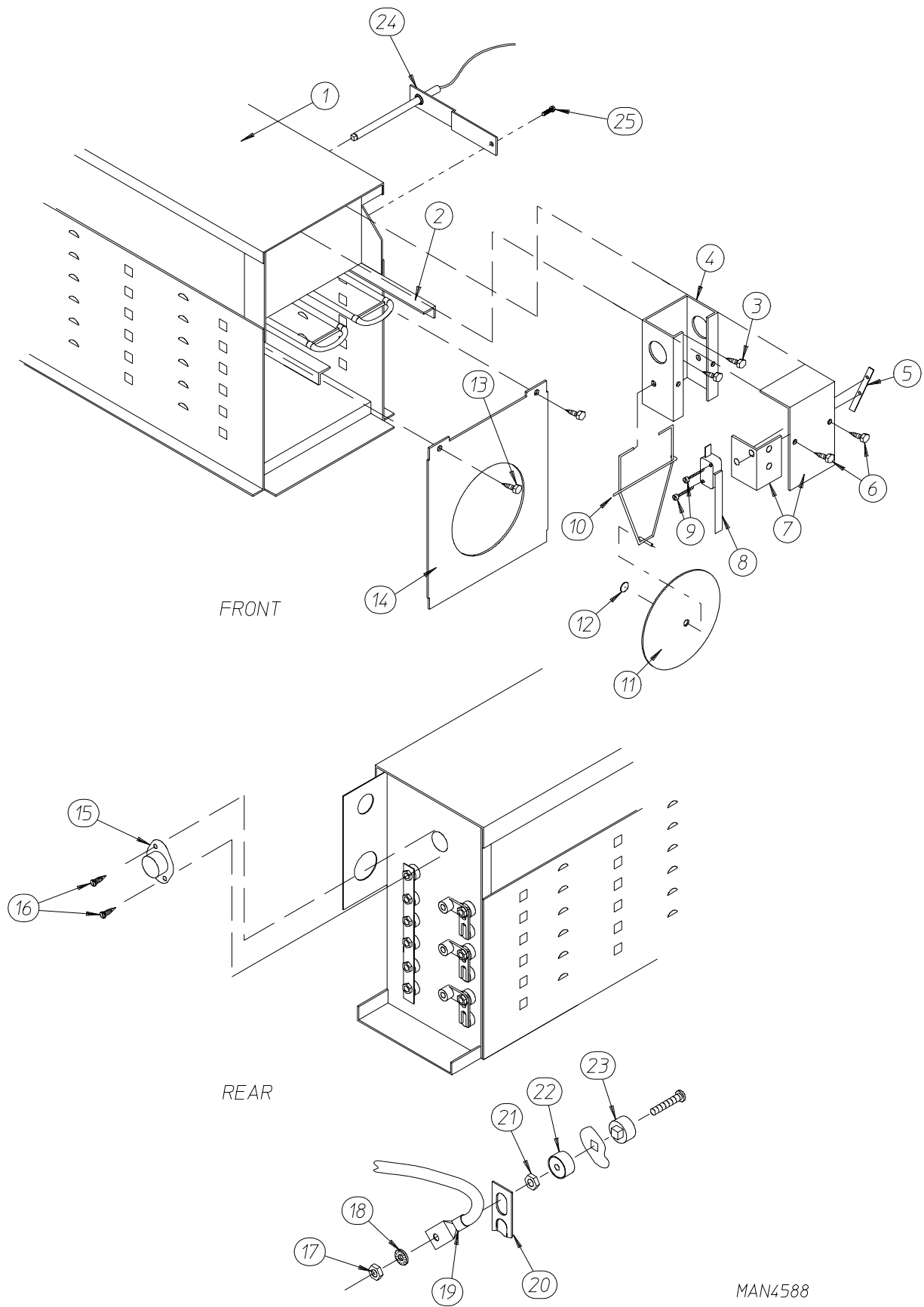
*Specify voltage when ordering.



<u>Illus. No.</u>	<u>Part No.</u>	<u>Qty.</u>	<u>Description</u>
1	318030	1	DSI Burner Shield
2	150300	2	#10 x 1/2" Hex Washer TEK Screw
3	150309	2	#10-16 x 1/2" Phillips Round Head Crimptite
4	128915	1	DSI Ignitor/Flame Probe Assembly
	880134	1	Ignitor/Flame Probe Kit Assembly (includes illus. nos. 4 and 5)
5	880330	1	High Voltage (HV) Wire and Connector Assembly
6	150103	2	#8-32 x 1/2" Pan Head Machine Screw
7	153000	2	#8 Steel Burr
8	151001	2	#8-32 Pal Nut
9	141105	2	Large Tube Burner ONLY
10*	140827	2	#21 Burner Orifice (Natural Gas) ONLY
	140854	2	#40 Burner Orifice (L.P. Gas) ONLY
11	141230	1	1/2" DSI Manifold (2-Port)
12	318700	1	Pipe Bracket (bent)
13	150300	2	#10 x 1/2" Hex Washer TEK Screw
14	128927	1	1/2" 24 VAC Redundant (natural gas) Gas Valve
	140411	1	1/2" Valve Conversion L.P. Kit (liquid propane)
	880960	1	1/2" DSI Gas Valve/L.P. Kit Combination
15	881367	1	1/2" Union Shutoff with Tail Piece
16	142809	1	1/2" x 29 1/8" Pipe
17	150309	4	#10-16 x 1/2" Phillips Round Hex Head TEK Crimptite Screw
18	318700	2	Pipe Bracket (bent)
19	850851	1	Non-Heat Reclaimer Burner Box ONLY
	850861	1	Heat Reclaimer Burner Box ONLY
	809625	1	Burner Assembly Complete Less Orifices
20	880815	1	ADC DSI Module ONLY
21	150299	4	#10 x 1" Hex Washer TEK Screw
22	829016	1	Aquatex Temperature Sensor Assembly
23	150300	1	#10 x 1/2" Hex Washer TEK Screw
--	874044**	1	AD-52 Aquatex L.P. Conversion Kit
--	410001	1	1/2" Allen Wrench

* Consult factory for elevations over 2,000 feet (610 meters).

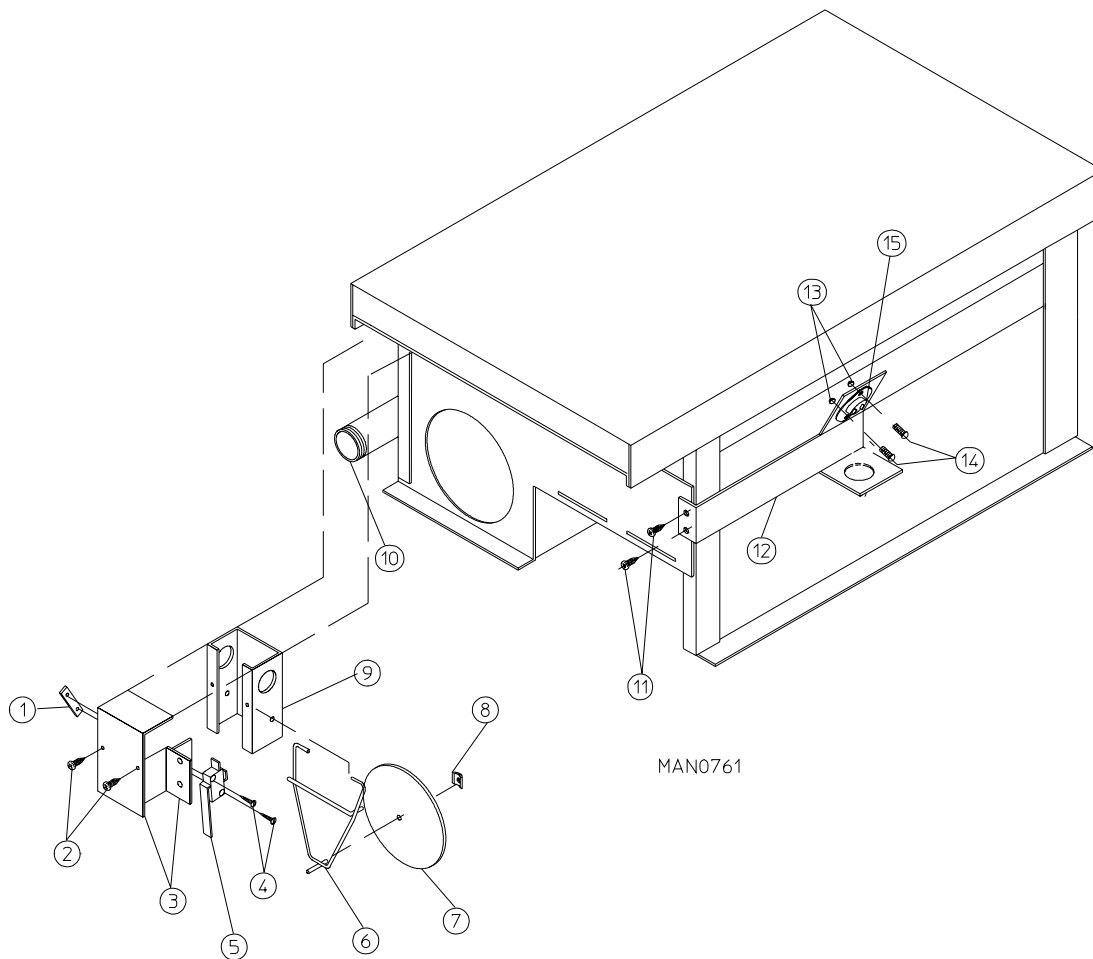
** Orifices *are not included* and **must be** ordered separately



MAN4588

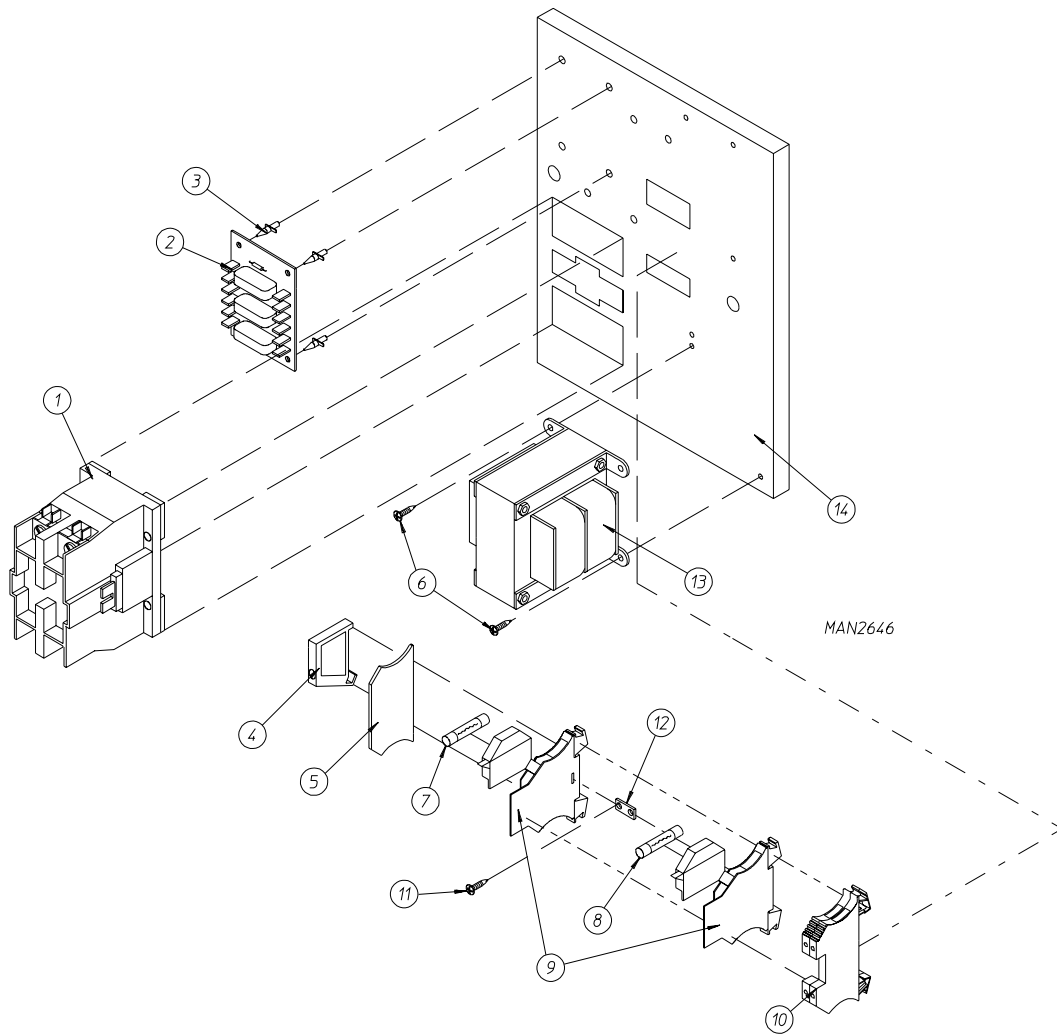
<u>Illus. No.</u>	<u>Part No.</u>	<u>Qty.</u>	<u>Description</u>
1	851151	1	Oven Box ONLY
	-----*	1	Electric Oven Assembly Complete
2	-----*	–	Heating Element
3	150300	2	#10 x 1/2" Hex Washer TEK Screw
4	802800	1	Sail Switch Box with Bracket and Cover ONLY
	802801	1	Sail Switch Assembly Complete (includes illus. nos. 4 through 12)
5	154004	1	Twin Speed Nut
6	150309	2	#10-16 x 1/2" Phillips Round Hex Head Crimptite TEK Screw
7	802799	1	Sail Switch Box Cover and Bracket ONLY
8	122200	1	Sail Switch ONLY
9	150303	2	#4 x 3/4" Pan Head Machine Screw
10	105500	1	Sail Switch Actuator Rod
11	319202	1	Sail Switch Damper (flat)
12	154002	1	1/8" Push on Fastener
13	150300	2	#10 x 1/2" Hex Washer TEK Screw
14	803100	1	Electric Oven Front Cover ONLY
15	130400	1	290° Hi Limit Thermostat
16	150300	2	#10 x 1/2" Hex Washer TEK Screw
17	152008	–	#10-32 Hex Nut (4 per element)
18	153009	–	#10 Star Washer
19	-----		Oven Wiring
20	121011	13	Bus Bar (sold by the foot)
21	152008	–	#10-32 Hex Nut
22	120080	–	External Ceramic Insulator (2 per element)
23	120081	–	Internal Ceramic Insulator (2 per element)
24	829016	1	Aquatex Temperature Sensor Assembly
25	150300	1	#10 x 1/2 Hex Washer Head TEK Screw

* Refer to *Electric Oven Component Application Chart* on **page 34**

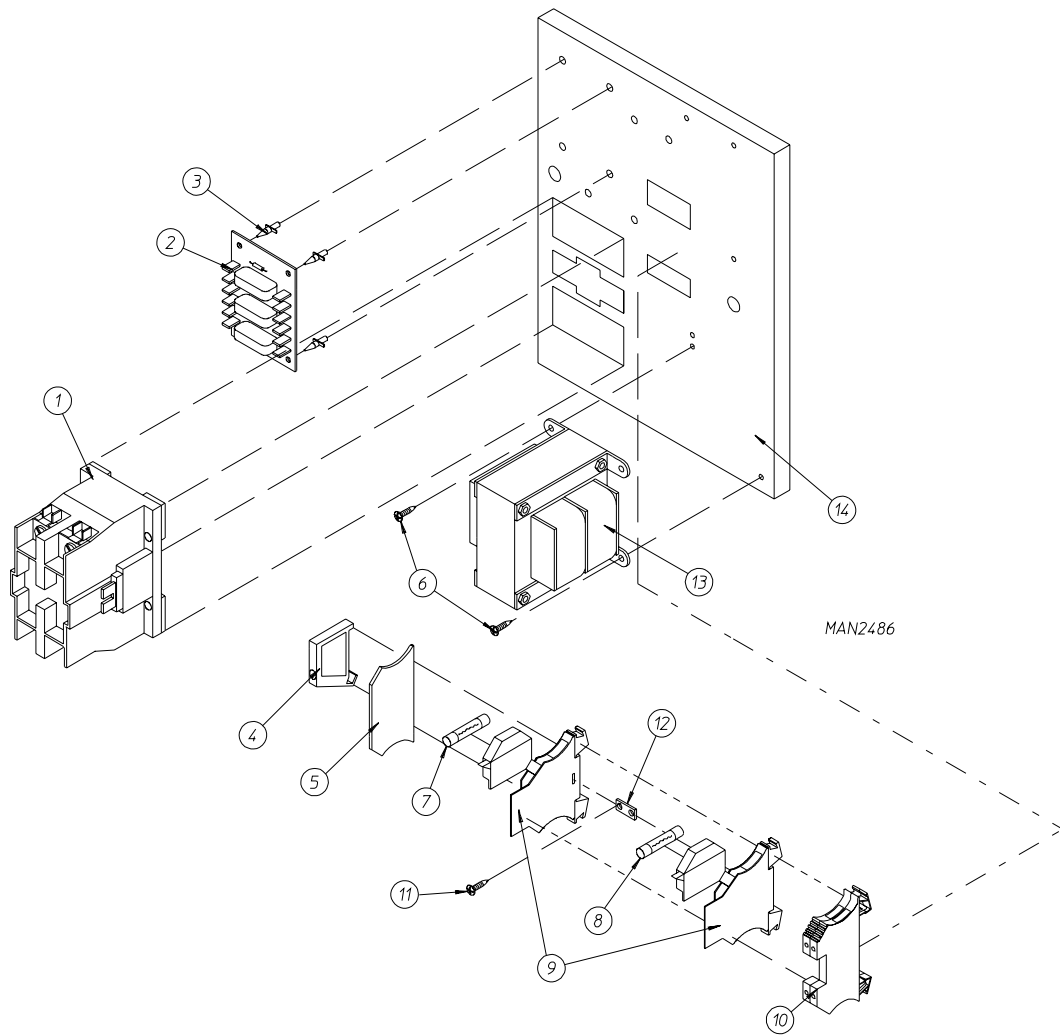


<u>Illus. No.</u>	<u>Part No.</u>	<u>Qty.</u>	<u>Description</u>
1	154004	1	Twin Speed Nut
2	150309	2	#10-16 x 1/2" Phillips Round Hex Head TEK Crimptite Screw
3	802799	1	Sail Switch Box Cover and Bracket ONLY
4	150303	2	#4 x 3/4" Pan Head "A" Machine Screw
5	122200	1	Sail Switch ONLY
6	105500	1	Sail Switch Actuator Rod
7	319202	1	Sail Switch Damper (flat)
8	154002	1	1/8" Push-on Fastener
9	802800	1	Sail Switch Box with Cover and Bracket ONLY
	802801	1	Sail Switch Assembly Complete (includes illus. nos. 1 through 8)
10	142809	1	1/2" x 29-1/8" Pipe
11	150309	2	#10-16 x 1/2" Phillips Round Head Screw
12	319704	1	Hi-Limit Mounting Bracket ONLY
13	151000	2	#6-32 Pal Nut
14	151001	2	#6-32 x 1/2" Round Head Machine Screw
15	130201	1	330° Hi-Limit Manual Reset Thermostat

for 120V Gas Models ONLY

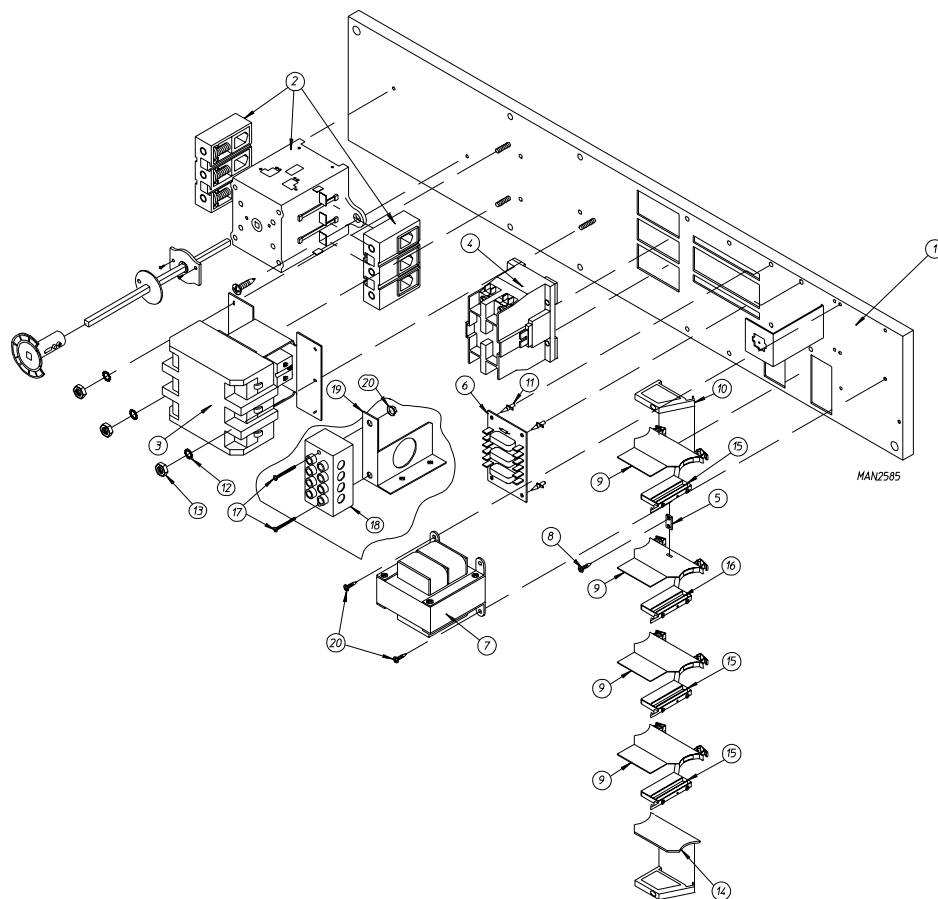


<u>Illus. No.</u>	<u>Part No.</u>	<u>Qty.</u>	<u>Description</u>
1	132451	1	Double Pole Contactor
2	137060	1	Arc Suppressor (A.S.) Board
3	137013	4	PC Board Mounting Standoff
4	120765	1	Standard End Stop
5	120766	1	Small End Section
6	150301	2	#8-18 x 7/16" Phillips Pan Head TEK Screw
7	136019	1	1-Amp Fuse ONLY
8	136017	1	3.15-Amp Fuse ONLY
9	136103	2	Fuse Holder
10	120758	2	Feed Thru Terminal Block
11	120995	2	Fuse Block Bus Bar Screw
12	120994	1	2-Pole Bus Bar
13	829037	1	Aquatex Transformer Assembly (115 Volt/240 Volt)
14	319757	1	Bottom Panel ONLY

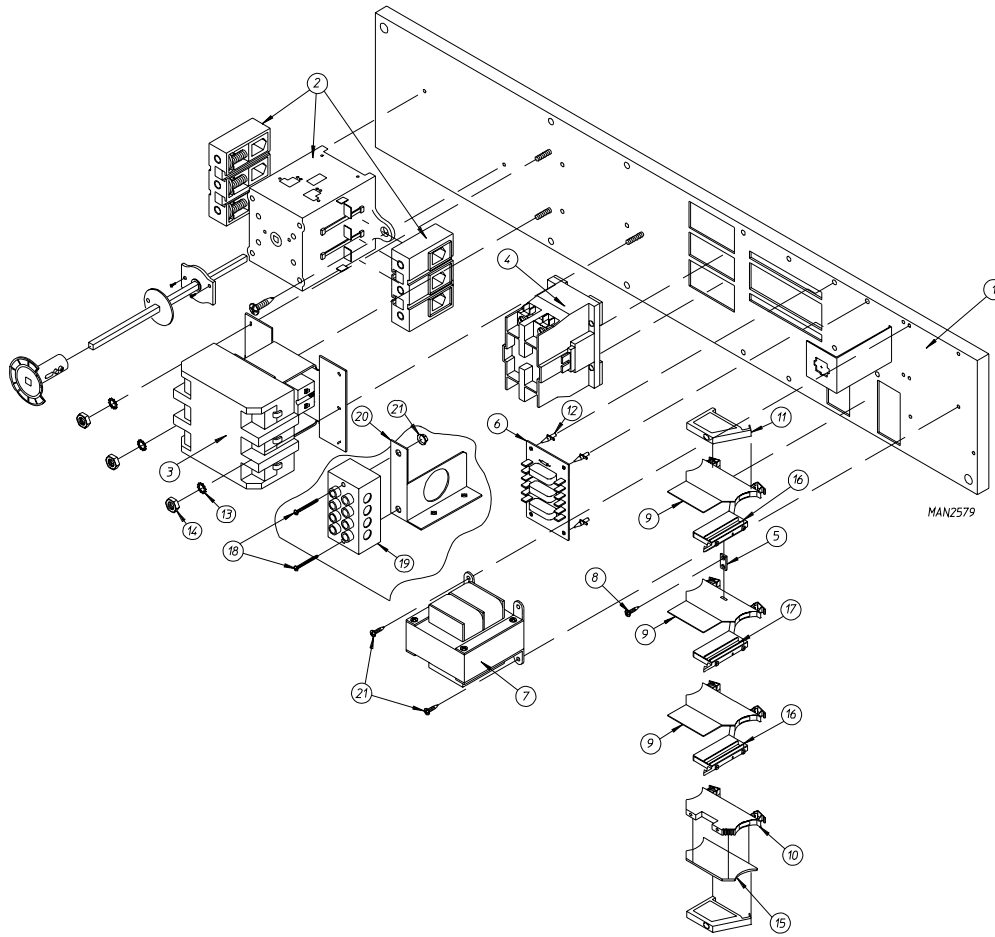


<u>Illus. No.</u>	<u>Part No.</u>	<u>Qty.</u>	<u>Description</u>
1	132451	1	Double Pole Contactor
2	137060	1	Arc Suppressor (A.S.) Board
3	137013	4	PC Board Mounting Standoff
4	120765	1	Standard End Stop
5	120766	1	Small End Section
6	150301	2	#8-18 x 7/16" Phillips Pan Head TEK Screw
7	136019	1	1-Amp Fuse ONLY
8	136017	1	3.15-Amp Fuse ONLY
9	136103	2	Fuse Holder
10	120758	2	Feed Thru Terminal Block
11	120995	2	Fuse Block Bus Bar Screw
12	120994	1	2-Pole Bus Bar
13	829042	1	Aquatex Transformer Assembly (208 Volt/240 Volt)
14	319757	1	Bottom Panel ONLY

for 208V Electric Models ONLY

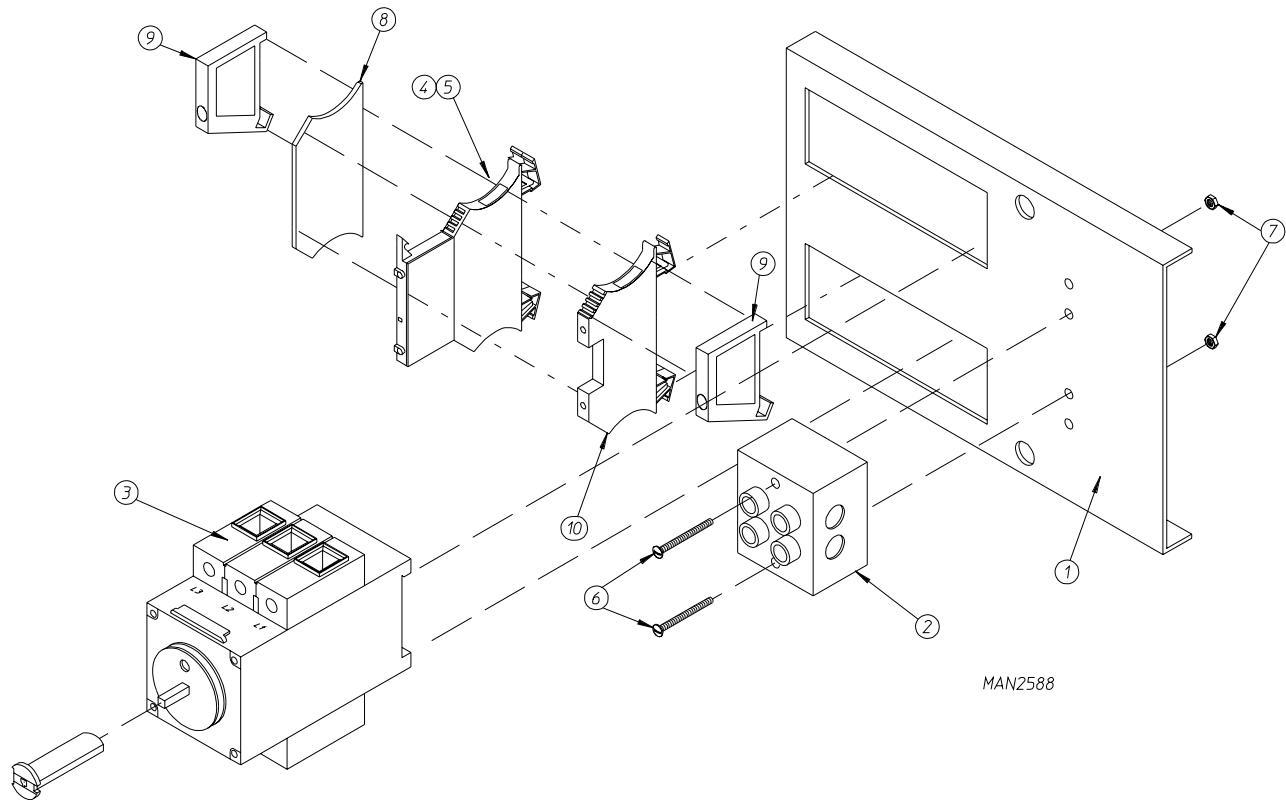


<u>Illus. No.</u>	<u>Part No.</u>	<u>Qty.</u>	<u>Description</u>
1	851157	1	CE Electrical Panel
2	132486	1	Power Disconnect
3	131369	1	Oven Contactor (for 208-240V Models)
4	132451	1	Blower Motor Contactor
5	120994	1	Bus Bar Fuse Block
6	137060	1	Arc Suppressor (A.S.) Board
7	829042	1	Transformer with Terminals (for 208-240V Models)
8	120995	2	Fuse Block Bus Bar Screw
9	136103	2	Fuse Holder
10	120765	1	Standard End Stop
11	137013	4	PC Board Mounting Standoff
12	153012	3	#8 Star Washer
13	152001	3	8/32 Hex Nut
14	120766	1	Small End Section
15	136019	1	1-Amp Fuse
16	136017	1	3.15-Amp Fuse
17	150009	2	#6-32 x 1-1/2" Phillips Round Head Machine Screw
18	120701	1	4-Position Terminal Block
19	319724	1	Aquatex Power Distribution Bracket
20	151000	2	#6-32 Pal Nut

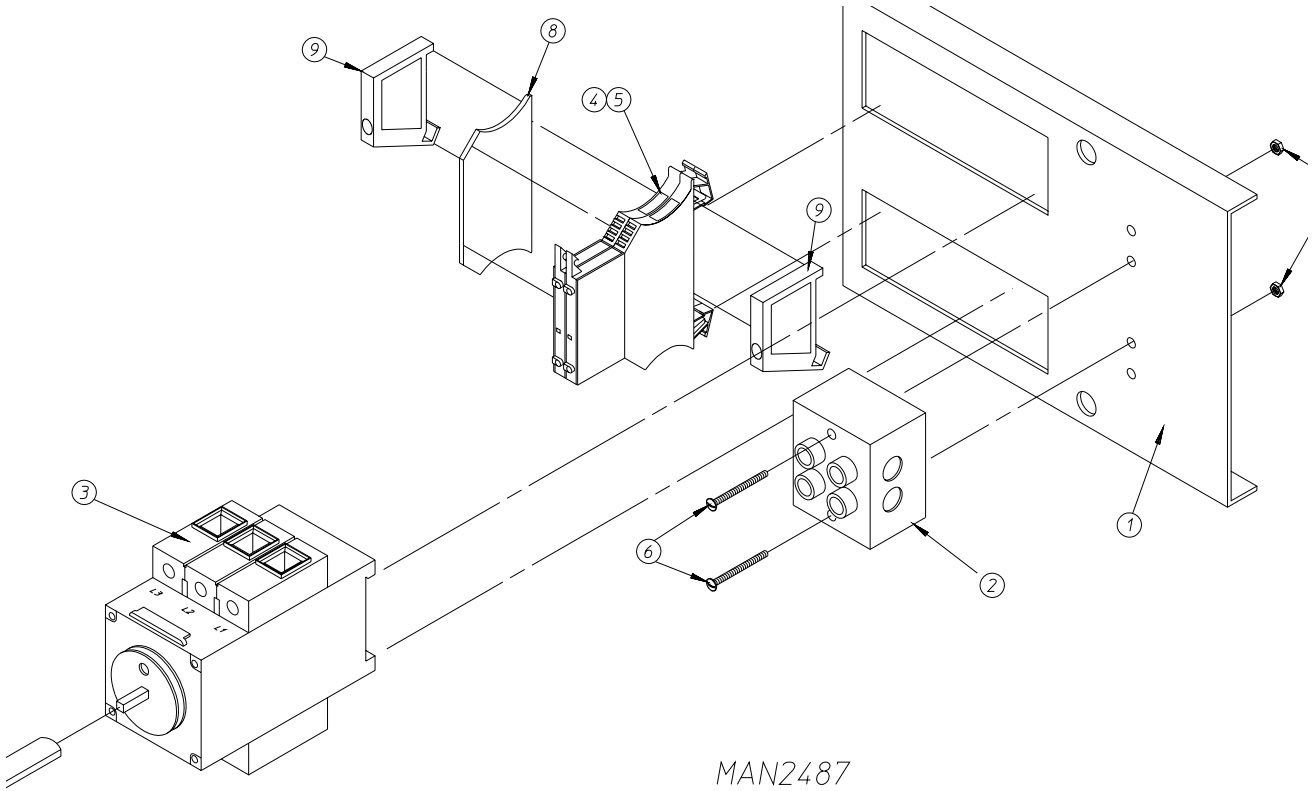


Illus. No.	Part No.	Qty.	Description
1	851157	1	Electrical Panel
2	132486	1	Main Power Disconnect
3	131357	1	Oven Contactor (for 416V Models)
4	132451	1	Blower Motor Contactor
5	120994	1	Bus Bar Fuse Block
6	137060	1	Arc Suppressor (A.S.) Board
7	829041	1	Transformer with Terminals (for 416V Models)
8	120995	2	Fuse Block Bus Bar Screw
9	136103	3	5 x 20mm Fuse Holder
10	120758	1	Feed Thru Terminal Block
11	120765	2	Standard End Stop
12	137013	4	Nylon Standoff
13	153012	3	#8 Star Washer
14	152001	3	8/32 Hex Nut
15	120766	1	Small End Section
16	136019	1	1-Amp Fuse ONLY
17	136017	1	3.15- Amp Fuse ONLY
18	150009	2	#6-32 x 1-1/2" Phillips Round Head Machine Screw
19	120701	1	4-Terminal Block
20	319724	1	Aquatex Power Distribution Bracket
21	151000	2	6-32 Pal Nut

for 120V Gas Models ONLY

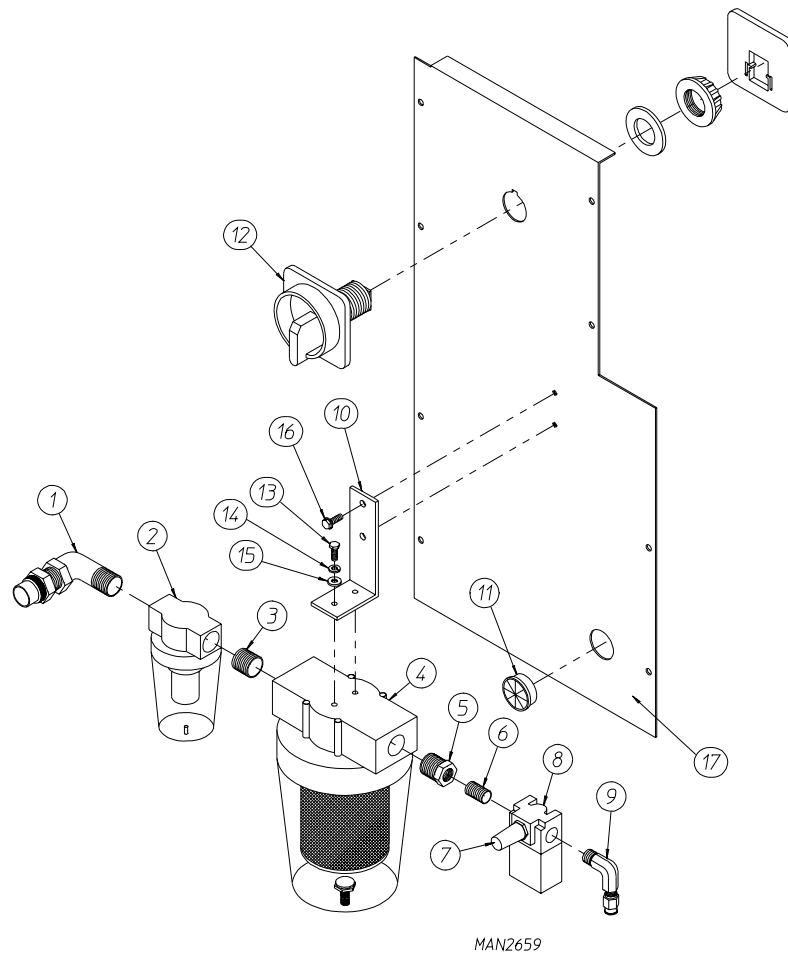


<u>Illus. No.</u>	<u>Part No.</u>	<u>Qty.</u>	<u>Description</u>
1	319756	1	Disconnect Panel
2	120716	1	Power Distribution Block
3	137489	1	Main Power Disconnect
4	136019	1	1-Amp Fuse ONLY
5	136103	1	Fuse Holder
6	150009	2	#6-32 x 1-1/2" Phillips Round Head Machine Screw
7	151000	2	#6-32 Pal Nut
8	120766	1	End Section
9	120765	2	End Stop
10	120758	1	Feed Thru Terminal Block

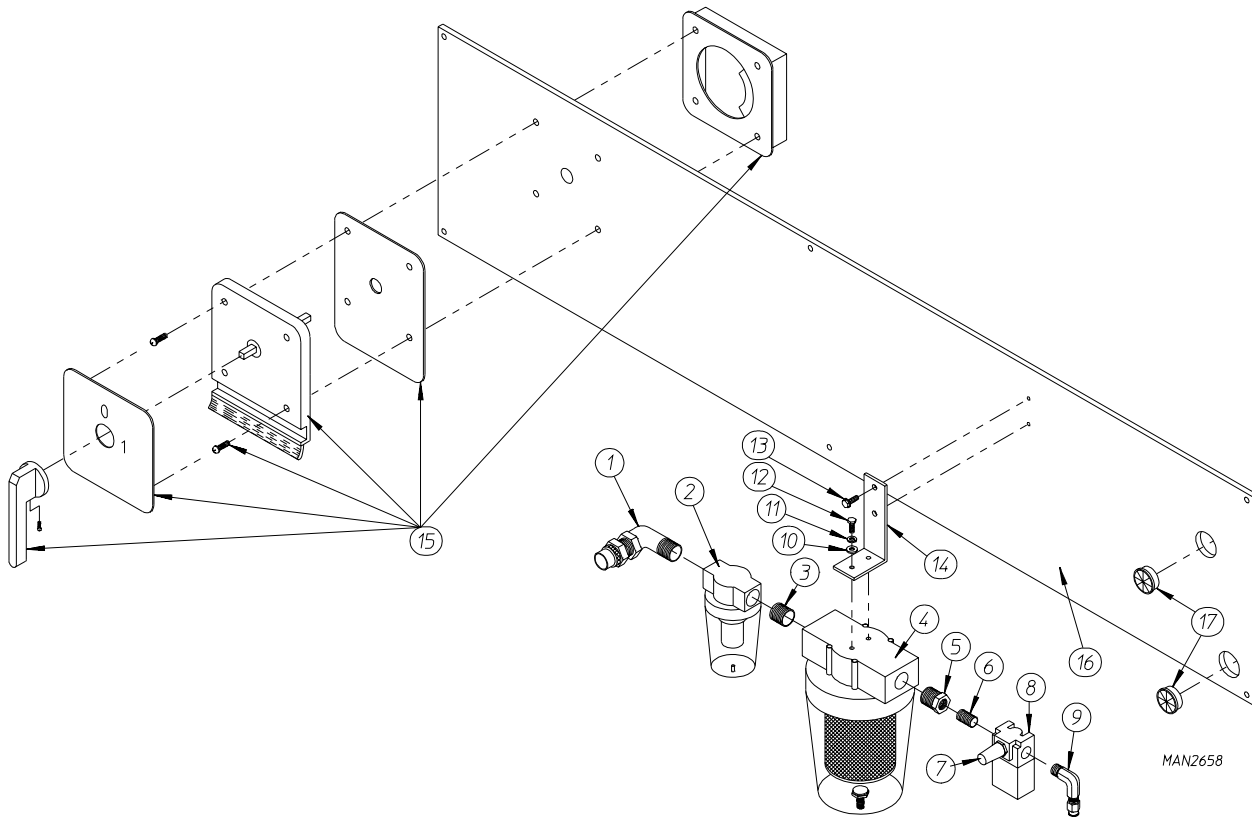


<u>Illus. No.</u>	<u>Part No.</u>	<u>Qty.</u>	<u>Description</u>
1	319756	1	Disconnect Panel
2	120716	1	Power Distribution Block
3	137489	1	Main Power Disconnect
4	136019	2	1.0-Amp Fuse ONLY
5	136103	2	Fuse Holder ONLY
6	150009	2	#6-32 x 1-1/2" Phillips Round Head Machine Screw
7	151000	2	#6-32 Pal Nut
8	120766	1	End Section
9	120765	2	End Stop

for Gas Models ONLY

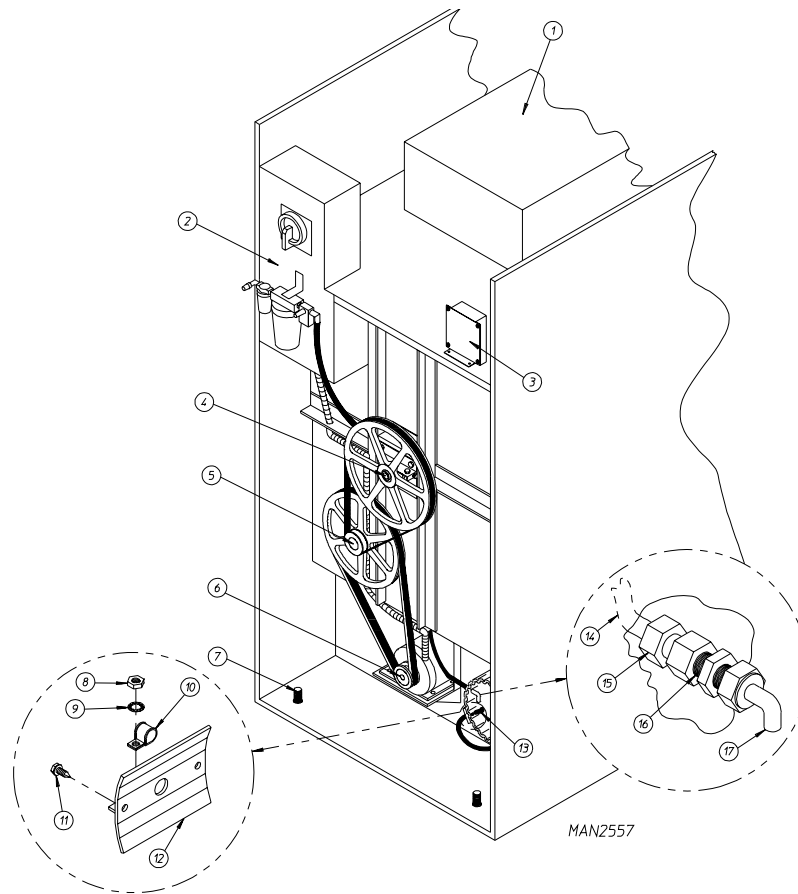


Illus. No.	Part No.	Qty.	Description
1	143153	1	1/4" Poly x 1/4" M.P.T. Elbow
2	141007	1	Air Jet Pre-Filter ONLY
3	143240	1	1/4" Close Brass Nipple
4	141008	1	Air Jet Finite Filter ONLY
5	182522	1	1/4" x 1/8" Reducing Bushing
6	143238	1	1/8" x 90° Closed Nipple
7	100520	1	1/8" Muffler (silencer)
8	829020	1	3-Way Valve Assembly
9	143268	1	1/8" Street Elbow
10	319750	1	Mounting Bracket
11	121400	1	7/8" Universal Bushing
12	—	1	Main Power Disconnect (refer to Item #3 on page25)
13	150512	2	1/4-20 x 1/2" Hex Head Machine Bolt
14	153007	2	1/4" Lock Washer
15	153018	2	1/4" Flat Washer
16	150300	2	#10 x 1/2" Hex Head Washer TEK Screw
17	319769	1	Aquatex Disconnect Cover ONLY



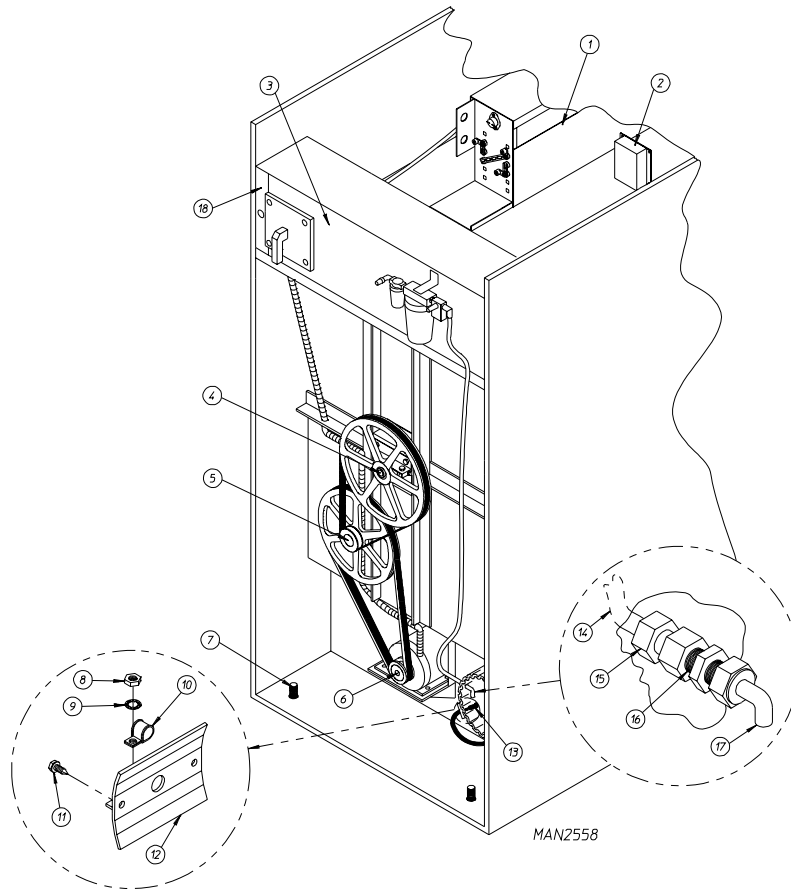
<u>Illus. No.</u>	<u>Part No.</u>	<u>Qty.</u>	<u>Description</u>
1	143153	1	1/4" Poly x 1/4" M.P.T. Elbow
2	141007	1	Air Jet Pre-Filter ONLY
3	143240	1	1/4" Close Brass Nipple
4	141008	1	Air Jet Finite Filter
5	182522	1	1/4" x 1/8" Reducing Bushing
6	143238	1	1/8" x 90° Closed Nipple
7	100520	1	1/8" Muffler (silencer)
8	829020	1	3-Way Valve Assembly
9	143268	1	1/8" x 90° Street Elbow
10	153018	2	1/4 Flat Washer
11	153007	2	1/4 Lock Washer
12	150512	2	1/4-20 x 1/2" Hex Head Machine Bolt
13	150300	2	#10 x 1/2" Hex Washer Head TEK Screw
14	319750	1	Mounting Bracket
15	-----		Main Power Disconnect, (Refer to Item #2 on page 24)
16	319729	1	Aquatex Rear Panel ONLY

for Gas Models ONLY



<u>Illus. No.</u>	<u>Part No.</u>	<u>Qty.</u>	<u>Description</u>
1	-----		Gas Burner Assembly. (refer to page 19)
2	-----		Disconnect Panel Cover. (refer to page 27)
3	-----		Humidity Transmitter Assembly. (refer to page 33)
4	-----		Tumbler Bearing Assembly. (refer to page 10 and page 11)
5	-----		Idler Bearing Assembly. (refer to page 12)
6	-----		Motor Mount Assembly. (refer to page 14 and page 15)
7	103500	4	Leveling Leg
8	152001	1	#8-32 Hex Nut
9	153018	1	1/4" Flat Washer
10	121488	1	3/8" Rubber Cushioned Clamp
11	150200	2	#10 x 1/2" Hex Washer TEK
12	851182	1	Humidity Sensor Mount Assembly
13*	-----	1	Humidity Sensor (refer to illus. nos. 4 on page 33)
14	143110	66	1/4" Poly Flo Tubing
15	100472	1	1/4" x 1/8" M.P.T. Straight Connector
16	143259	1	1/4" Bulkhead Fitting
17	319753	1	Aluminum Air Jet Tube

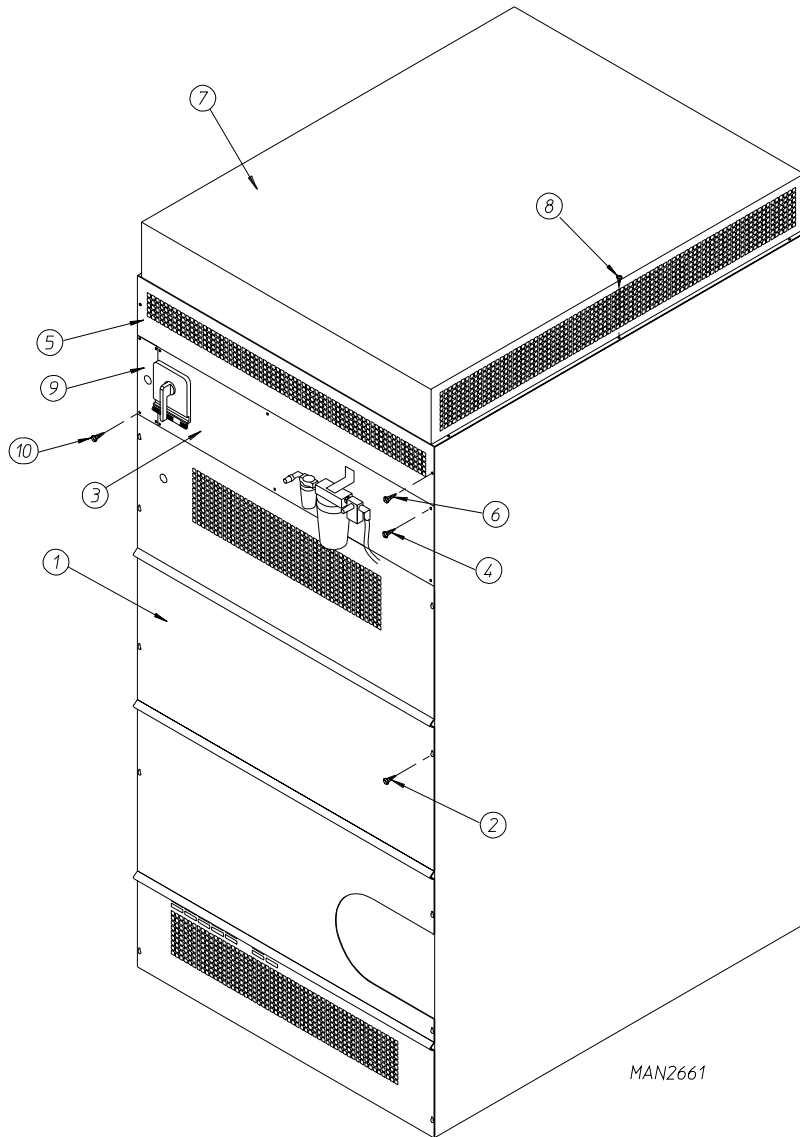
* Not sold separately specific resistive calibration required.



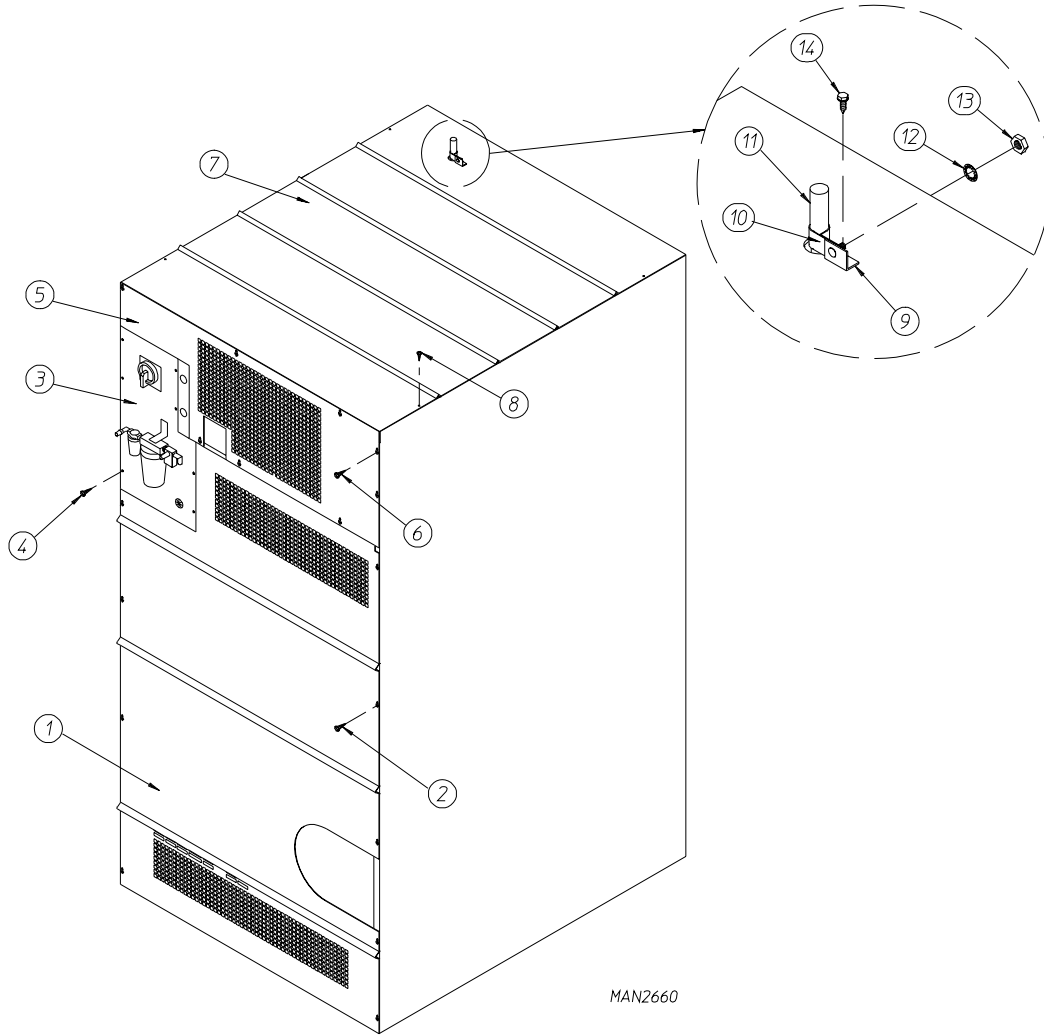
<u>Illus. No.</u>	<u>Part No.</u>	<u>Qty.</u>	<u>Description</u>
1	-----		Electric Oven Assembly. (refer to page 18 and page 19)
2	-----		Humidity Transmitter Assembly. (refer to page 33)
3	-----		Disconnect Panel Cover. (refer to page 27)
4	-----		Tumbler Bearing Assembly. (refer to page 10 and page 11)
5	-----		Idler Bearing Assembly. (refer to page 12)
6	-----		Motor Mount Assembly. (refer to page 14 and page 15)
7	103500	4	Leveling Leg
8	152001	1	#8-32 Hex Nut
9	153018	1	1/4" Flat Washer
10	121488	1	3/8" Rubber Cushioned Clamp
11	150300	2	#10 x 1/2" Hex Washer Head TEK Screw
12	851182	1	Humidity Sensor Mount Assembly
13	-----	1	Humidity Sensor (refer to illus. nos. 4 on page 33)
14	143110	66	1/4" Poly-Flo Tubing (sold by the inch)
15	100472	1	1/4" Compression x 1/8 M.P.T. Straight Connector
16	143259	1	1/4" Bulkhead Fitting
17	319753	1	Aluminum Air Jet Tube
18	319748	1	Electrical Panel

* Not Sold Separately Specific Resistive Calibration

for Electric Models ONLY

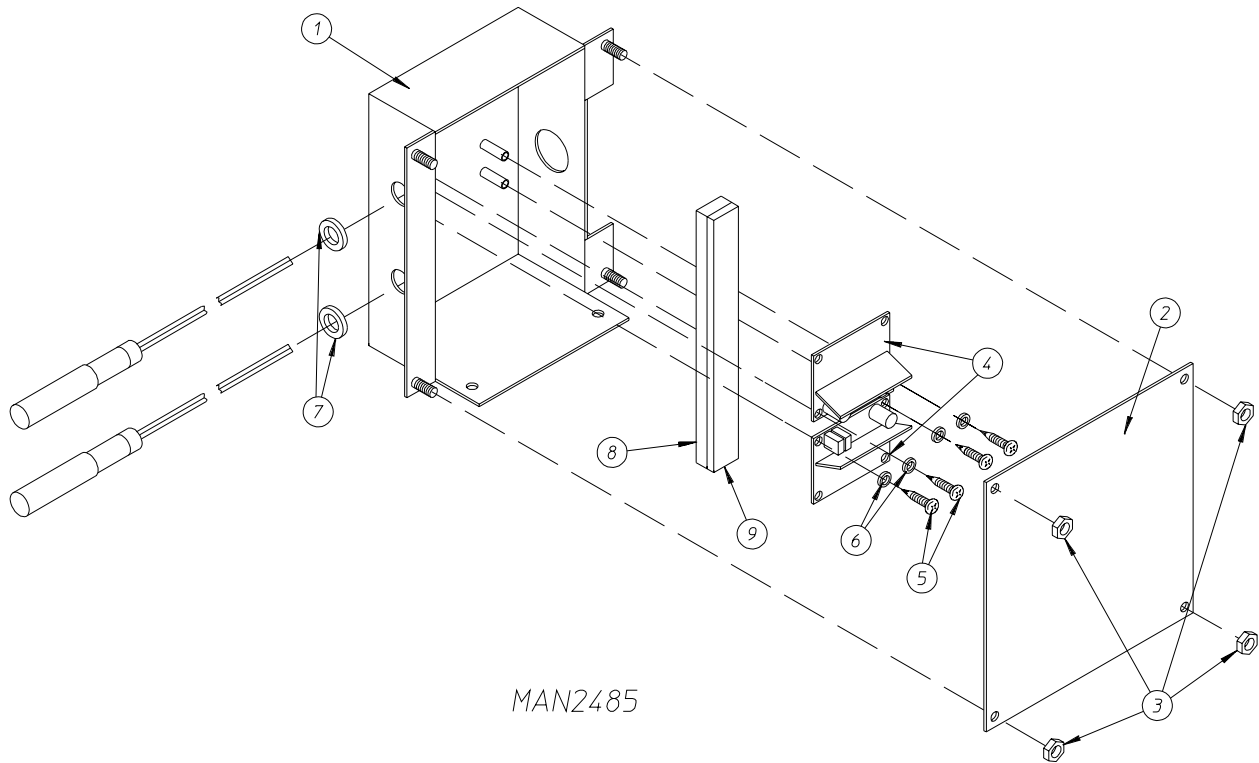


<u>Illus. No.</u>	<u>Part No.</u>	<u>Qty.</u>	<u>Description</u>
1	314512	1	Bottom Backguard
2	150301	10	#8-18 x 7/16" Phillips Pan Head TEK Screw
3	319229	1	Aquatex Rear Disconnect Panel ONLY
4	150301	6	#8-18 x 7/16" Phillips Pan Head TEK Screw
5	319738	1	Aquatex Upper Backguard
6	150301	2	#8-18 x 7/16" Phillips Pan Head TEK Screw
7	851158	1	Aquatex Top
8	150301	6	#8-18 x 7/16" Phillips Pan Head TEK Screw
9	319748	1	Electrical Plate
10	150301	2	#8-18 x 7/16" Phillips Pan Head TEK Screw



MAN2660

<u>Illus. No.</u>	<u>Part No.</u>	<u>Qty.</u>	<u>Description</u>
1	319764	1	Aquatex Bottom Backguard
2	150301	9	#8-18 x 7/16" Phillips Pan Head TEK Screw
3	319769	1	Aquatex Disconnect Cover Only
4	150301	8	#8-18 x 7/16" Phillips Pan Head TEK Screw
5	319765	1	Aquatex Top Backguard
6	150301	8	#8-18 x 7/16" Phillips Pan Head TEK Screw
7	851158	1	Aquatex Top
8	150301	4	#8-18 x 7/16" Phillips Pan Head TEK Screw
9	851183	1	Aquatex Outer Top Humidity Sensor Mount Assembly
10	121488	1	3/8" Rubber Clamp
11	136989	1	Humidity Sensor Board/Filter
12	153012	1	#8 Star Washer
13	152001	1	8-32 Nut
14	150309	1	10-16 x 1/2" Hex Head TEK Crimpite Screw



MAN2485

<u>Illus. No.</u>	<u>Part No.</u>	<u>Qty.</u>	<u>Description</u>
1	851155	1	Humidity Controller Mounting Bracket
2	319741	1	Humidity Bracket Cover
3	151001	1	#8-32 Pal Nut
4	136989	2	Humidity Sensor Board With Filter
5	150020	4	#4-40 Phillips Pan Head Screw
6	153032	4	Nylon Washer
7	121401	2	Rubber Grommet
8	117605		Neoprene Sponge Tape (sold by the foot)
9	117603		Noise Suppressor Tape (sold by the foot)

KW	VOLT	PHASE	WIRE	OVEN ASSEMBLY PART NUMBER	ELEMENTS			OVEN WIRE			TERMINAL LUG		BUS BAR	KW	OVEN RELAY	
					QTY	KW	P/N	QTY	SIZE	P/N	QTY	P/N			CAT. NO	PART NO.
24	416	3	4	829038	6	4	120011	1	#8	829107	1	121010	1	24	43V14	131357
24	208	3	3	829039	6	4	120010	1	#6	829106	1	121010	1	24	63V14	131369
24	220	3	3	829065	6	5	120013	1	#6	829106	1	121010	1	25	63V14	131369
25	240	3	3	829043	6	4	120011	1	#6	829106	1	121010	1	24	63V14	131369
25	416	3	4	830210	6	5	120013	1	#8	829107	1	121010	1	30	43V14	131357
30	380	3	4	829051	6	5	120013	1	#8	829107	1	121010	1	25	43V14	131357

