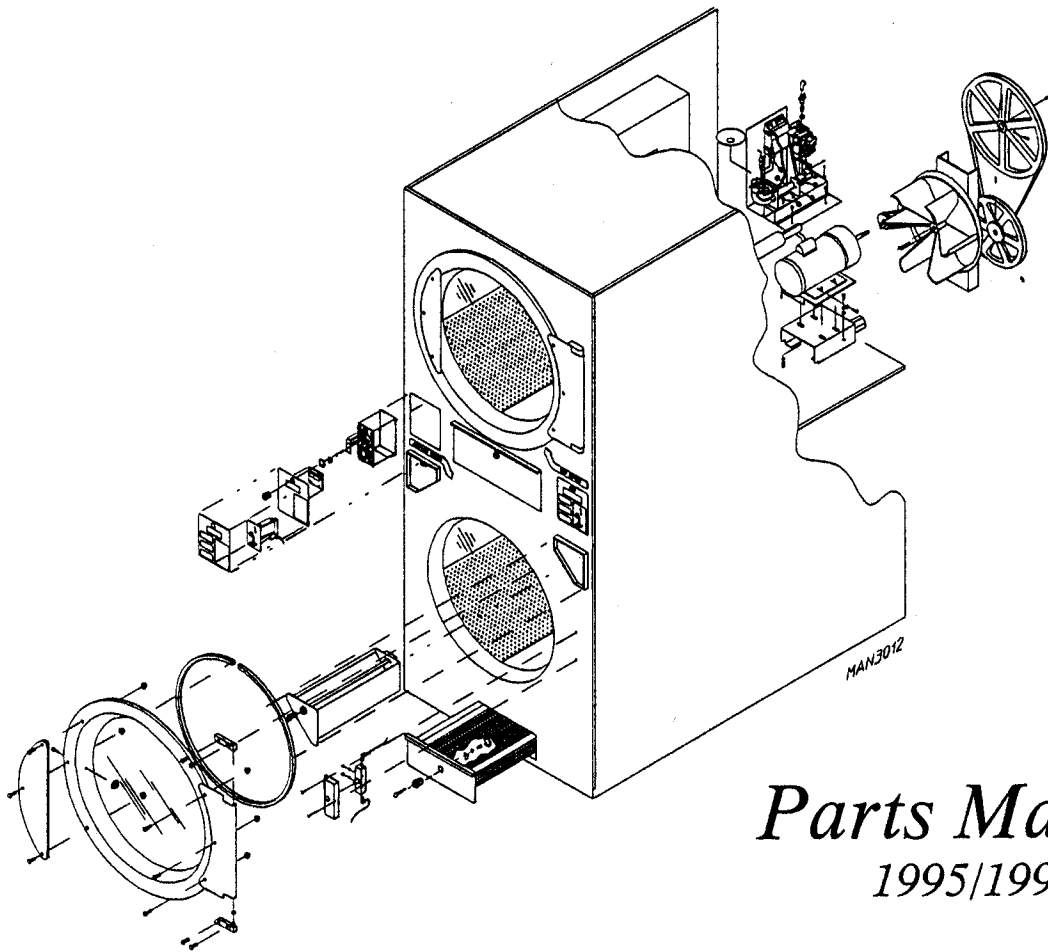




ADG-530/WDA-530

(Direct Spark Ignition)



Parts Manual

1995/1996

American Dryer Corporation
88 Currant Road
Fall River, MA 02720-4781
Telephone: (508) 678-9010 / Fax: (508) 678-9447
e-mail address: service@amdry.com

103095
Rev. 090996JEV

ADC Part No. 450308

Retain This Manual In A Safe Place For Future Reference

American Dryer Corporation products embody advanced concepts in engineering, design, and safety. If this product is properly maintained, it will provide many years of safe, efficient, and trouble-free operation.

ONLY properly licensed technicians should service this equipment.

OBSERVE ALL SAFETY PRECAUTIONS displayed on the equipment or specified in the installation/operator's manual included with the dryer.

WARNING: UNDER NO CIRCUMSTANCES should the door switch or the heat circuit devices ever be disabled.

WARNING: The dryer must never be operated with any of the back guards, outer tops, or service panels removed. PERSONAL INJURY or FIRE COULD RESULT.

We have tried to make this manual as complete as possible and hope you will find it useful. ADC reserves the right to make changes from time to time, without notice or obligation, in prices, specifications, colors, and material, and to change or discontinue models.

Important

For your convenience, log the following information:

DATE OF PURCHASE _____ MODEL NO. _____

DISTRIBUTORS NAME _____

Serial Number(s) _____

Replacement parts can be obtained from your distributor or the ADC factory. When ordering replacement parts from the factory, you can FAX your order to ADC at (508) 678-9447 or telephone your orders directly to the ADC Parts Department at (508) 678-9010. Please specify the dryer model number and serial number in addition to the description and part number, so that your order is processed accurately and promptly.

The illustrations on the following pages may not depict your particular dryer exactly. The illustrations are a composite of the various dryer models. Be sure to check the descriptions of the parts thoroughly before ordering.

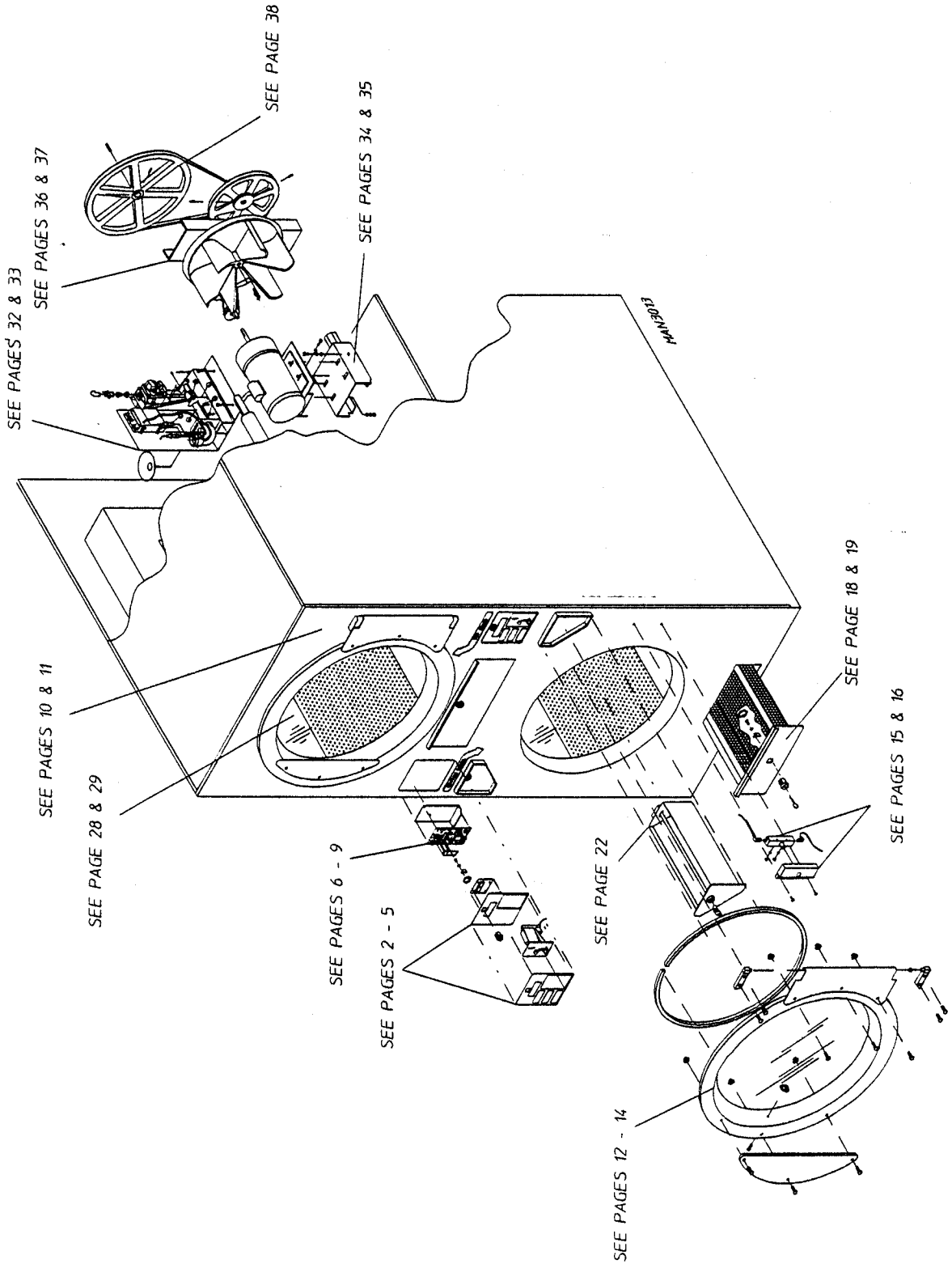
INSTRUCTIONS TO BE FOLLOWED IN THE EVENT THE USER SMELLS GAS MUST BE POSTED IN A PROMINENT LOCATION. THE INSTRUCTIONS TO BE POSTED SHALL BE OBTAINED FROM THE LOCAL GAS SUPPLIER.

Table of Contents

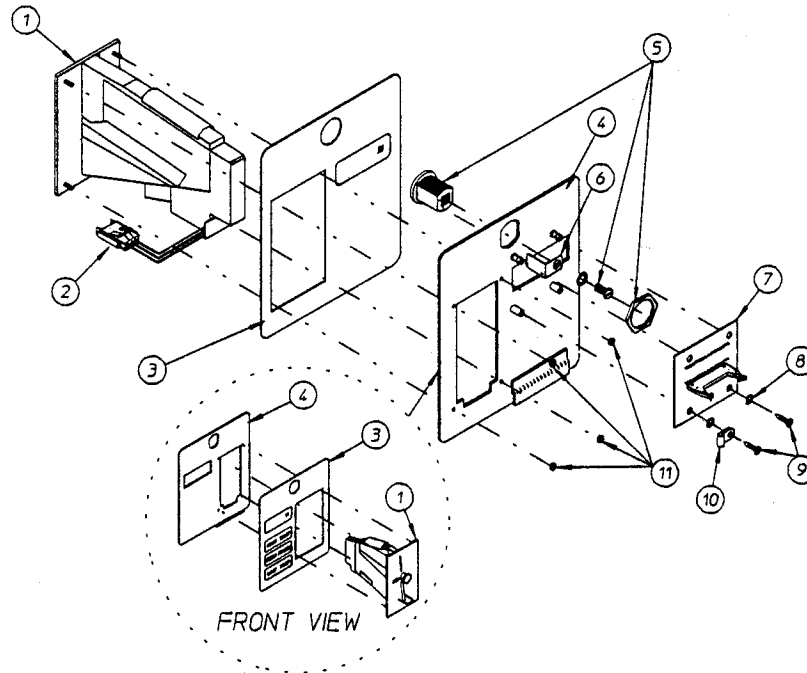
Left Coin Panel Assembly (for models mfd. as of July 1, 1995)	2
Right Coin Panel Assembly (for models mfd. as of July 1, 1995)	3
Right/Left Coin Panel Assembly (for models mfd. prior to July 1, 1995)	4
Right/Left Coin Panel Assembly (for models mfd. prior to July 1, 1995)	5
Microprocessor 2 Piece (Computer) Panel Coin Chute Assembly (for models mfd. as of August 26, 1996)	6
Microprocessor 2 Piece (Computer) Panel/Coin Chute Assembly (for models mfd. between February 21, 1996 and August 25, 1996)	7
Microprocessor 1 Piece (Computer) Panel Assembly (for models mfd. between May 9, 1995 and February 20, 1996)	8
Microprocessor 2 Piece (Computer) Panel/Coin Chute Assembly (for models mfd. prior to May 9, 1995)	9
AD-530 Front Panel Assembly (for models mfd. as of July 1, 1996)	10
AD-530 Front Panel Assembly (for models mfd. prior to July 1, 1996)	11
Main Door "Steel" Assembly	12, 13
Main Door (Plastic) Assembly (for models mfd. prior to July 1, 1995)	14
Main Door Switch Assembly (for models mfd. as of July 1, 1995)	15
Main Door Switch Assembly (for models mfd. prior to July 1, 1995)	16
Microprocessor Temperature Sensor Bracket Assembly	17
Lint Drawer/Basket Assembly II (for models mfd. as of September 6, 1996)	18
Lint Drawer/Basket Assembly I (for models mfd. prior to September 6, 1996 with "Roller" Type Lint Drawer Switch)	19
Lint Drawer/Switch Assembly II (for models mfd. as of September 6, 1996)	20
Lint Drawer/Switch Assembly I (for models mfd. prior to September 6, 1996 with "Roller Type Switch")	21
Coin Box / Vault Assembly (Left and Right)	22
Sail Switch/Hi-Limit Assembly	23
Rear Electrical Panel Assembly (for models mfd. as of July 1, 1995)	24, 25
Rear Electrical Panel Assembly (for models mfd. prior to July 1, 1995)	26, 27
Tumbler and Support Assembly	28, 29
Tumbler Bearing Mount Assembly	30, 31
Burner Train Assembly	32, 33
Drive Motor Mount Assembly (60 Hz)	34, 35
Fan (Impellor)/Idler Bearing Assembly (60 Hz)	36, 37
Drive and Idler Belts/Pulleys (60 Hz)	38
Exhaust Duct Assembly	39
Rear Guard Assemblies	40
Additional Parts Available	41

Quick Reference Diagram

For Detailed Information See the Table of Contents on next page



for models mfd. as of July 1, 1995

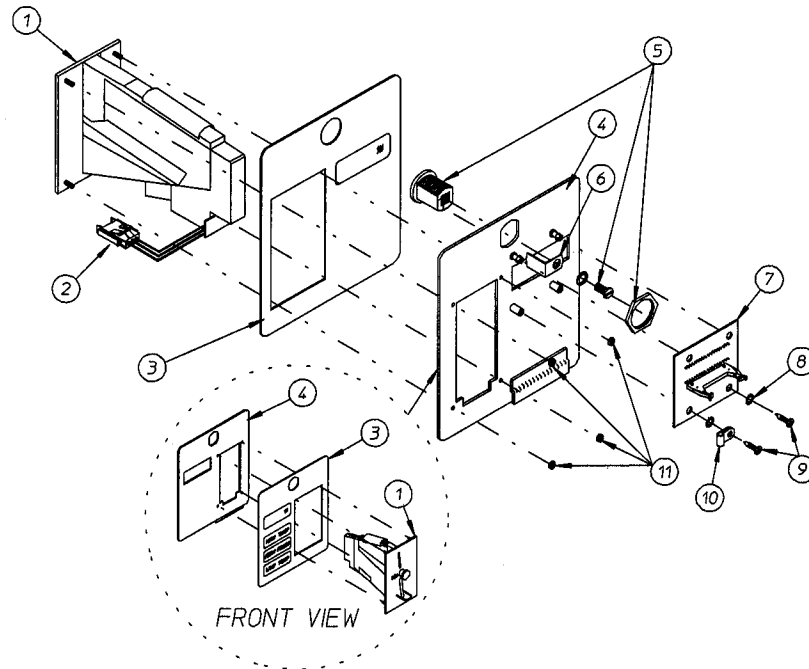


MAN2267

Illus. No.	Part No.	Qty.	Description
1	881163	1	25¢ U.S. Hanke Coin Acceptor Assembly with Optic Switch
	881450	1	25¢ Canadian Hanke Coin Acceptor with Optic Switch
	881451	1	.880 Token Hanke Coin Acceptor with Optic Switch
2	881143	1	Hanke Optic Switch w/Connector
3	112564	1	Left Keypad (Blue)
4	881160	1	Coin Panel Only
	881161	1	Left Coin Panel with Label (includes illus. nos, 3, 4, 8, and 9)
5	160029	1	Lock (keyed NO530) Only with /Key
	160129	1	NO530 Key Only (for models mfd. as of August 3, 1995)
	160105	1	*Key Only (specify key no. when ordering)
6	160031	1	Lock Cam Only
7	137098	1	Display Board
	137104	1	Display Board Ribbon Cable Assembly ... Not Illustrated
8	153010	2	# 6 Star Washer
9	150005	2	6-32 x 1/4" Phillips Round Head Machine Screw
10	120906	1	1/8" Wire Clip
11	152102	4	M3 Metric Hex Nut

* For models mfd. prior to August 3, 1995.

for models mfd. as of July 1, 1995

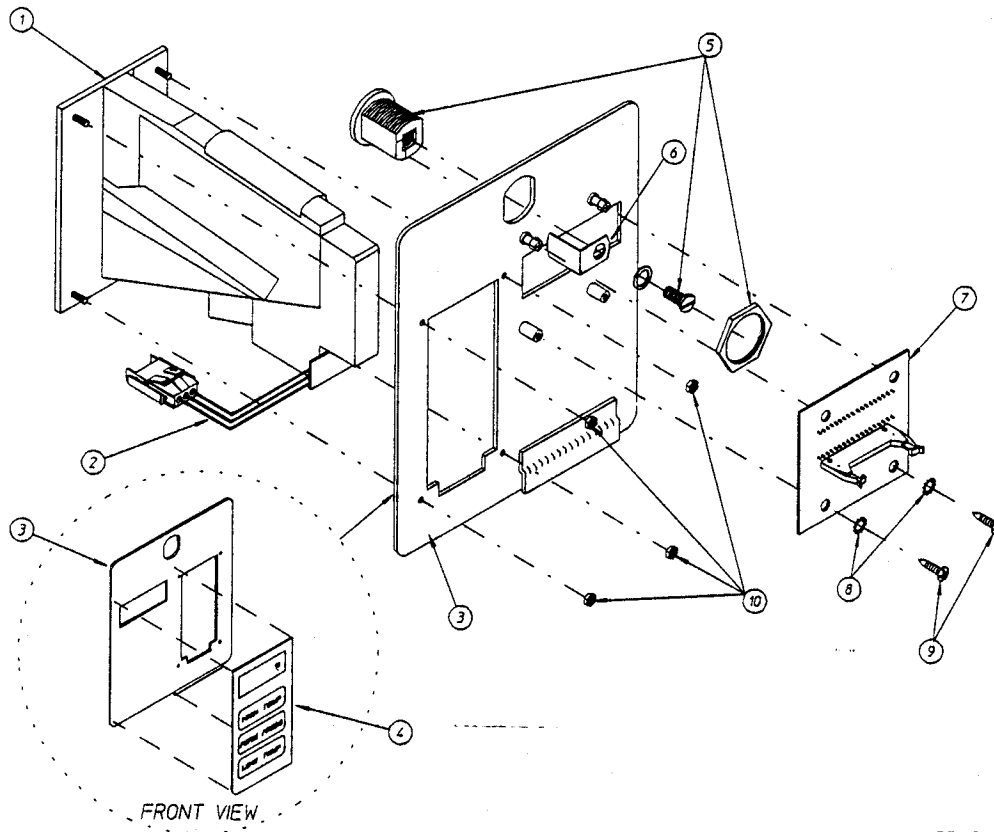


MAN2267

Illus. No.	Part No.	Qty.	Description
1	881163	1	25¢ U.S. Hanke Coin Acceptor Assembly with Optic Switch
	881450	1	25¢ Canadian Hanke Coin Acceptor with Optic Switch
	881451	1	.880 Token Hanke Coin Acceptor with Optic Switch
2	881143	1	Hanke Optic Switch w/Connector
3	112565	1	Right Keypad (Red)
4	881160	1	Coin Panel Only
	881162	1	Right Coin Panel with Label (includes illus. nos, 3, 4, 8, and 9)
5	160029	1	Lock (keyed NO530) Only with /Key
	160129	1	NO530 Key Only (for models mfd. as of August 3, 1995)
	160105*	1	Key Only (specify key no. when ordering)
6	160031	1	Lock Cam Only
7	137098	1	Display Board
	137104	1	Display Board Ribbon Cable Assembly ... Not Illustrated
8	153010	2	# 6 Star Washer
9	150005	2	6-32 x 1/4" Phillips Round Head Machine Screw
10	120906	1	1/8" Wire Clip
11	152102	4	M3 Metric Hex Nut

* For models mfd. prior to August 3, 1995.

for models mfd. prior to July 1, 1995**

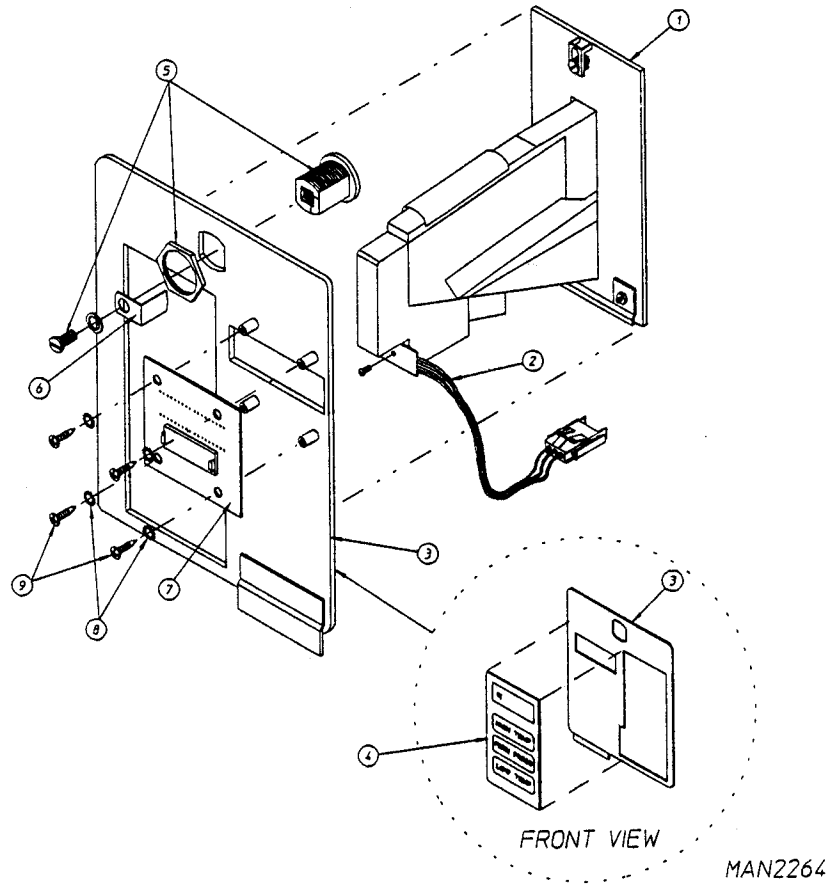


MAN2265

Illus. No.	Part No.	Qty.	Description
1	881163	1	25¢ U.S. Hanke Coin Acceptor Assembly with Optic Switch
2	881143	1	Hanke Optic Switch w/Connector
3	881160	1	Coin Panel Only
	881164	1	Phase II Coin Panel with Label (includes illus. nos. 3, 4, 8, 9 and 10)
4	881140	1	AD-530 Phase I Keyboard Label
5	160007	1	1/4 Turn Lock with Key
	160105	1	Key Only (specify key no. when ordering)
6	160031	1	Lock Cam Only
7	137098	1	Display Board
	137104	1	Display Board Ribbon Cable Assembly ... Not Illustrated
8	153010	2	# 6 Star Washer
9	150005	2	6-32 x 1/4" Phillips Round Head Machine Screw
10	152102	4	M3 Metric Hex Nut

** With coin acceptor faceplate that measures 3-3/4" x 2-1/4"

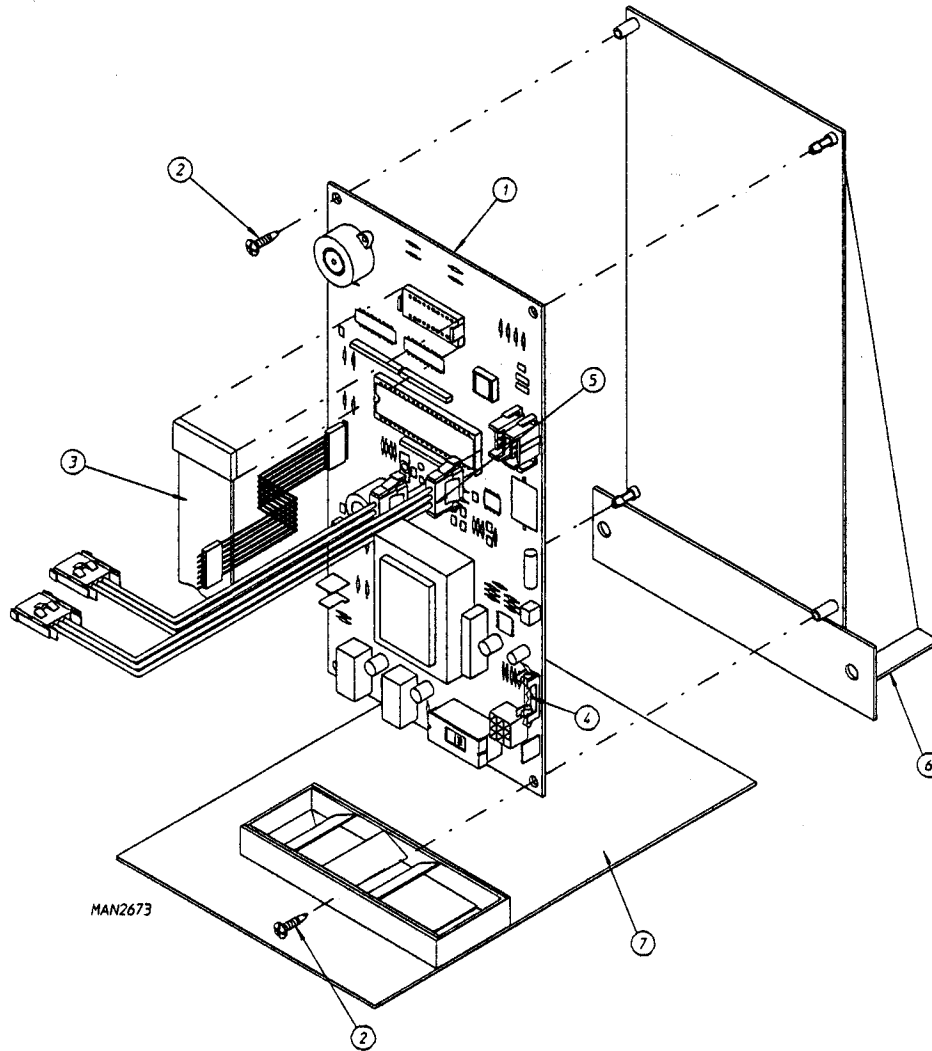
for models mfd. prior to July 1, 1995**



Illus. No.	Part No.	Qty.	Description
1	125767	1	25¢ U.S. Hanke Coin Acceptor (4-3/16" x 2-1/4")
2	881143	1	Hanke Optic Switch w/Connector
3	881087	1	AD-530 Phase I Left/Right Coin Panel Only (includes illus. nos.3, 4, 8, and 9)
4	881140	1	AD-530 Phase I Keyboard Label
5	160007	1	1/4 Turn Lock with Key and Cam
	160105	1	Key Only (specify key number when ordering)
6	160028	1	Lock Cam Only
7	137098	1	Display Board
	137099	1	Display Board Ribbon Cable Assembly ... Not Illustrated
8	153010	4	# 6 Star Washer
9	150005	4	M3 Metric Hex Nut

** With coin acceptor faceplate that measures 4-3/16" x 2-1/4"

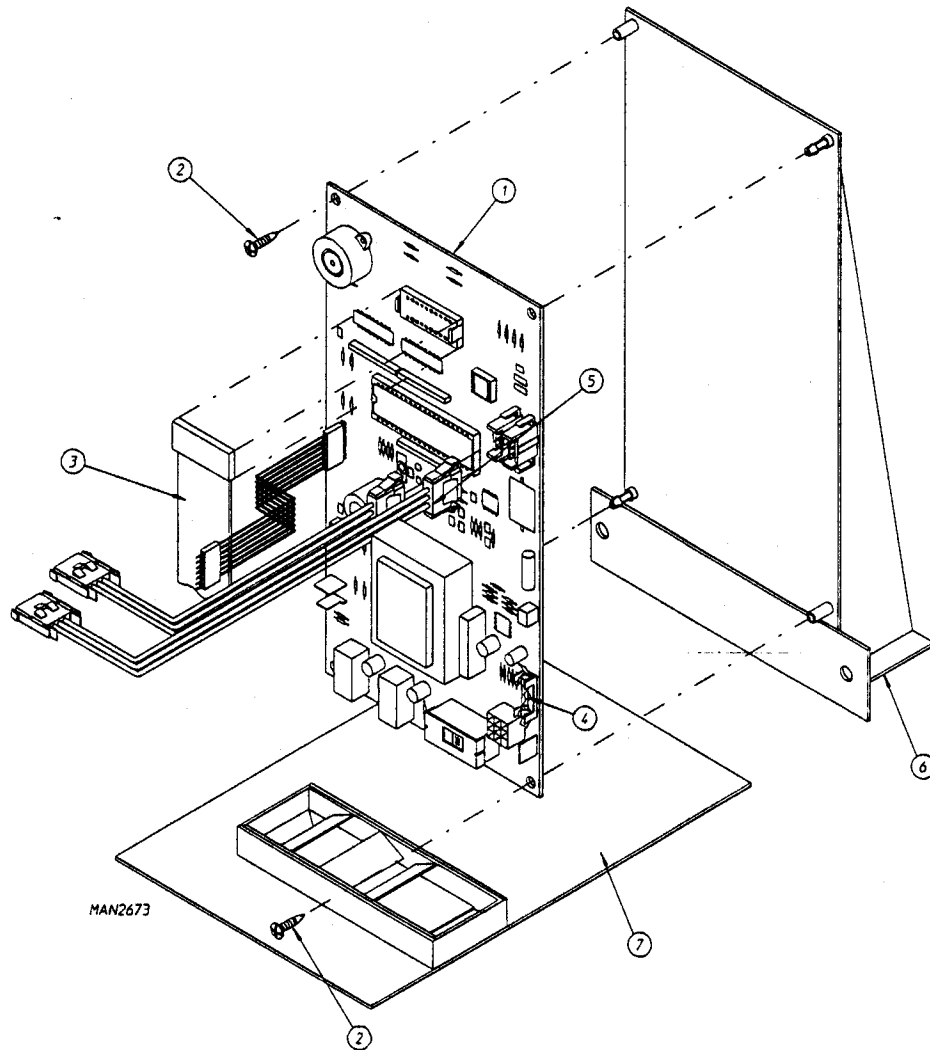
for models mfd. as of August 26, 1996



Illus. No.	Part No.	Qty.	Description
1	137103	1	AD-530 Computer Board Phase 5
2	150005	2	6-32 x 1/4" Phillips Round Head Machine Screw
3	137104	1	Ribbon Cable Assembly
4	136048	1	1/8-Amp (Slo Blo) Fuse
5	853071	1 or 2	Optic Switch Harness
6	853171	1	Computer Panel Weldment II
	853170	1	Computer Panel Weldment Mounting Plate ... Not Illustrated
7	852999	1	2 Piece 8" Coin Chute Assembly IV

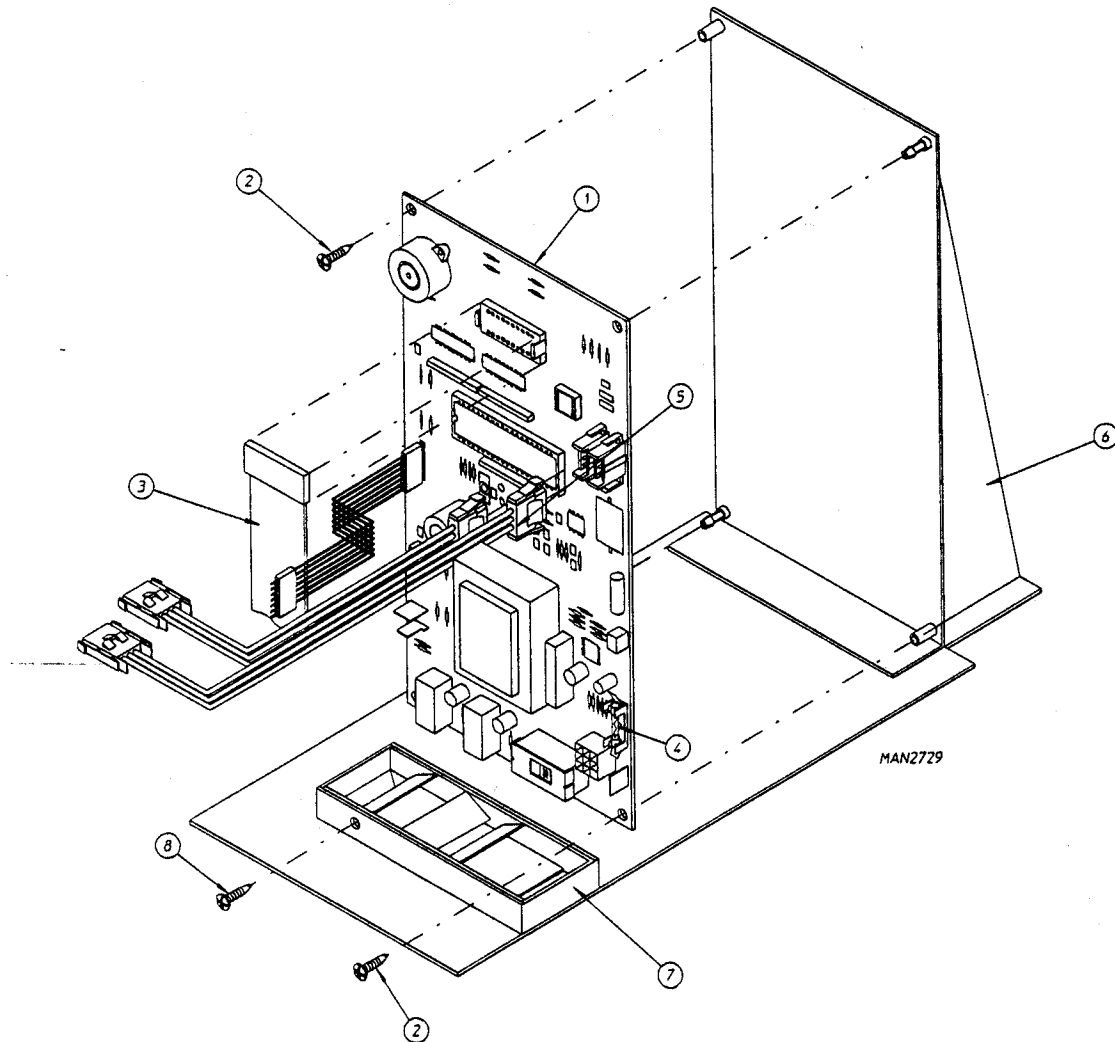
Microprocessor 2 Piece (Computer) Panel/Coin Chute Assembly

for models mfd. between February 21, 1996 and August 25, 1996



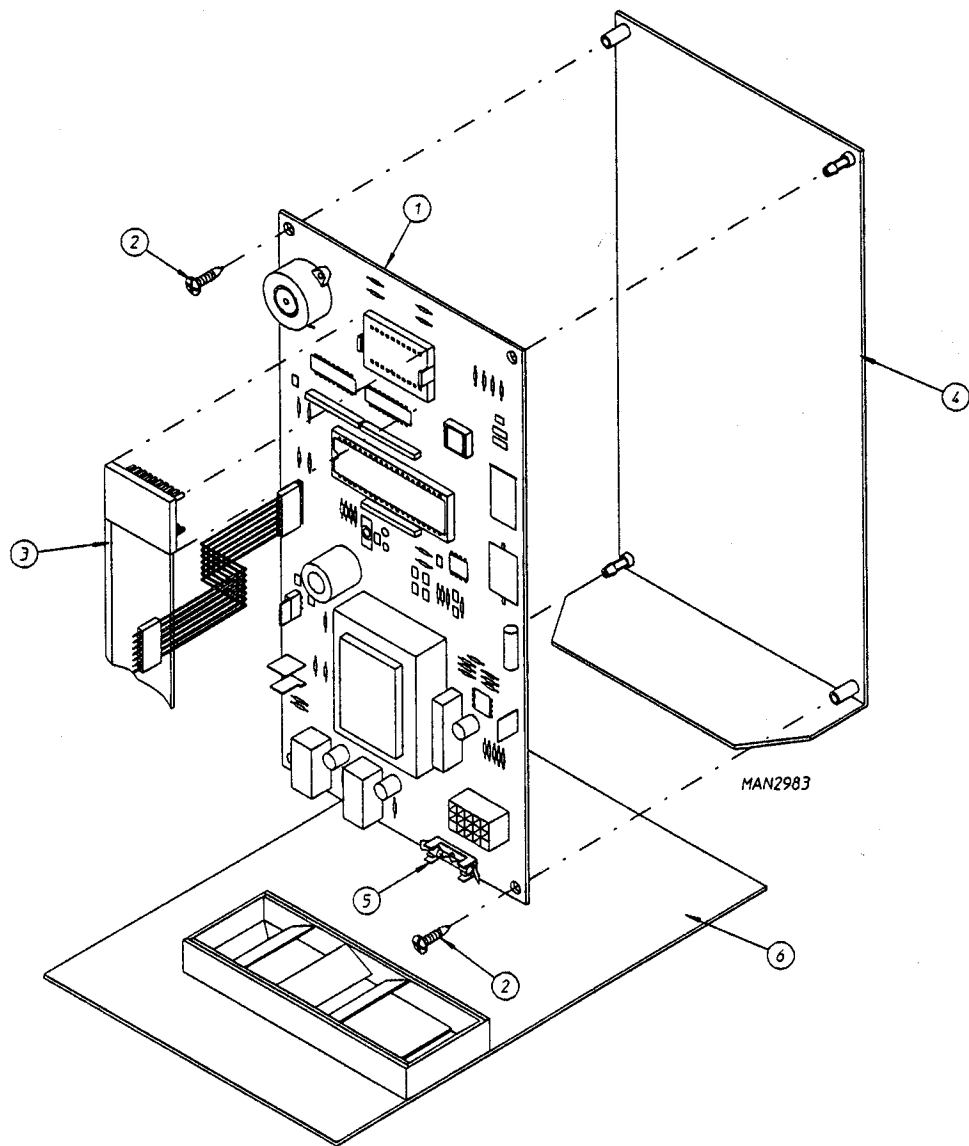
Illus. No.	Part No.	Qty.	Description
1	137103	1	AD-530 Computer Board Phase 5
2	150005	2	6-32 x 1/4" Phillips Round Head Machine Screw
3	137104	1	Ribbon Cable Assembly
4	136048	1	1/8-Amp (Slo Blo) Fuse
5	853071	1 or 2	Optic Switch Harness
6	853171	1	Computer Panel Weldment II
	853170	1	Computer Panel Weldment Mounting Plate ... Not Illustrated
7	853099	1	2 Piece 8" Coin Chute Assembly I/II

for models mfd. between May 9, 1995 and February 20, 1996



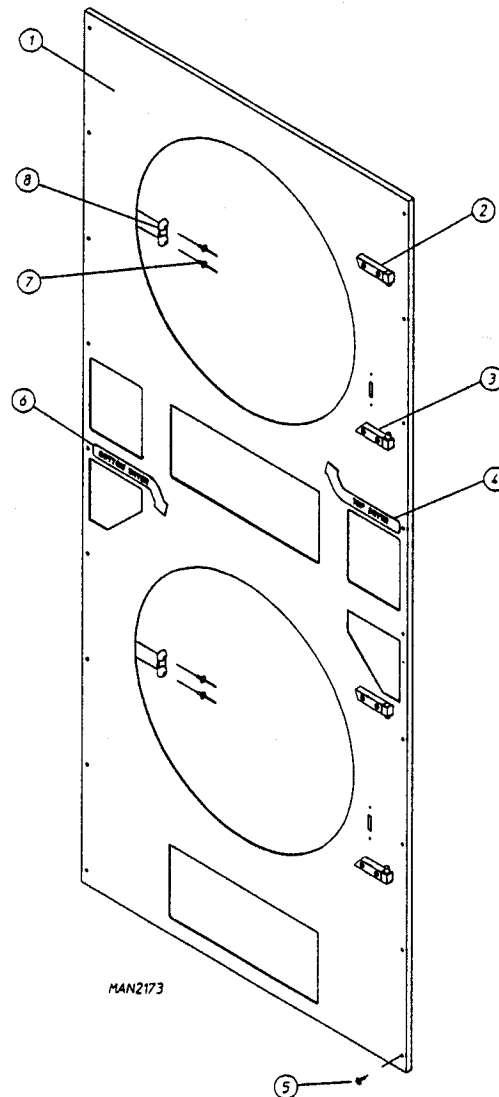
Illus. No.	Part No.	Qty.	Description
1	137103	1	AD-530 Computer Board Phase 5
2	150005	2	6-32 x 1/4" Phillips Round Head Machine Screw
3	137104	1	Ribbon Cable Assembly
4	136048	1	1/8-Amp (Slo Blo) Fuse
5	853071	1 or 2	Optic Switch Harness
6	825602	1	1 Piece Computer Panel and Coin Chute Assembly III
7	881357	1	Funnel Kit (includes illus. nos. 7 and 8)
8	150301	8-18 X 7/16"	Phillips Pan Head TEK Screw

for models mfd. prior to May 9, 1995



Illus. No.	Part No.	Qty.	Description
1	137101	1	AD-530 Computer Board (Proto)
2	150005	2 or 4	6-32 x 1/4" Phillips Round Head Machine Screw
3	137099	1	Ribbon Cable
4	853096	1	Computer Panel Weldment
5	136048	1	1/8-Amp (Slo Blo) Fuse
6	853099	1	Coin Chute Assembly I/II

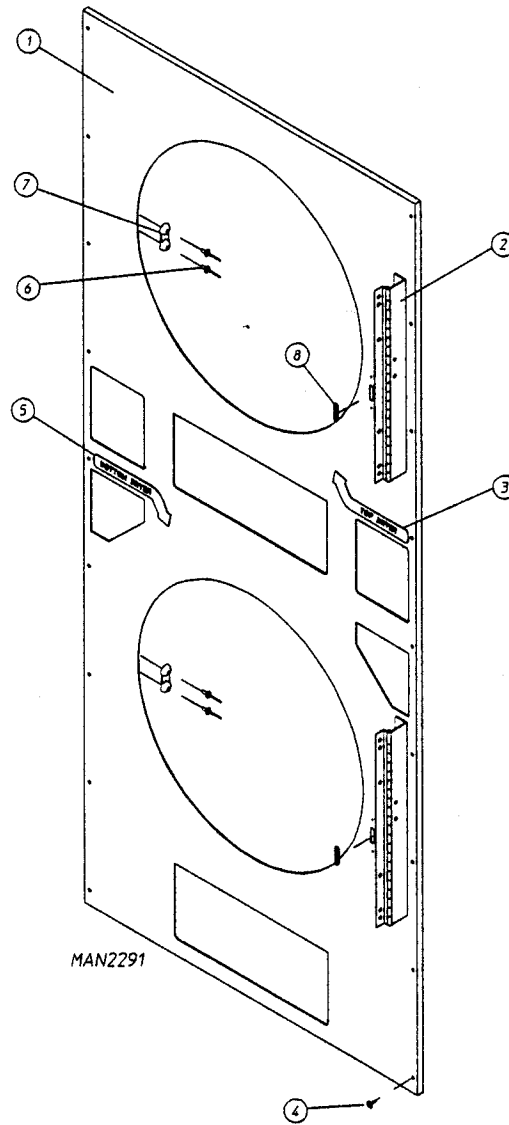
for models mfd. as of July 1, 1995



Illus. No.	Part No.	Qty.	Description
1	881243*	1	R.H. Textured Front Panel Assembly (includes illus. nos. 1, 7, and 8)
	881446	1	R.H. Stainless Steel Front Panel Assembly (includes illus. nos. 1, 7, and 8)
	881154*	1	R.H. Front Panel Assembly (includes illus. nos. 1, 7, and 8)
2	—	1	Top Hinge Block Assembly (refer to page 12 and page 13)
3	—	1	Bottom Hinge Block Assembly (refer to page 12 and page 13)
4	112227	1	Top Arrow Label (Red)
5	150415	24	10-16 x 1/2" Phillips Round Head Crimptite Screw
6	112226	1	Bottom Arrow Label (Blue)
7	154215	4	Pop Rivet
8	170330	2	Friction Door Catch

* Specify color when ordering.

for models mfd. prior to July 1, 1995

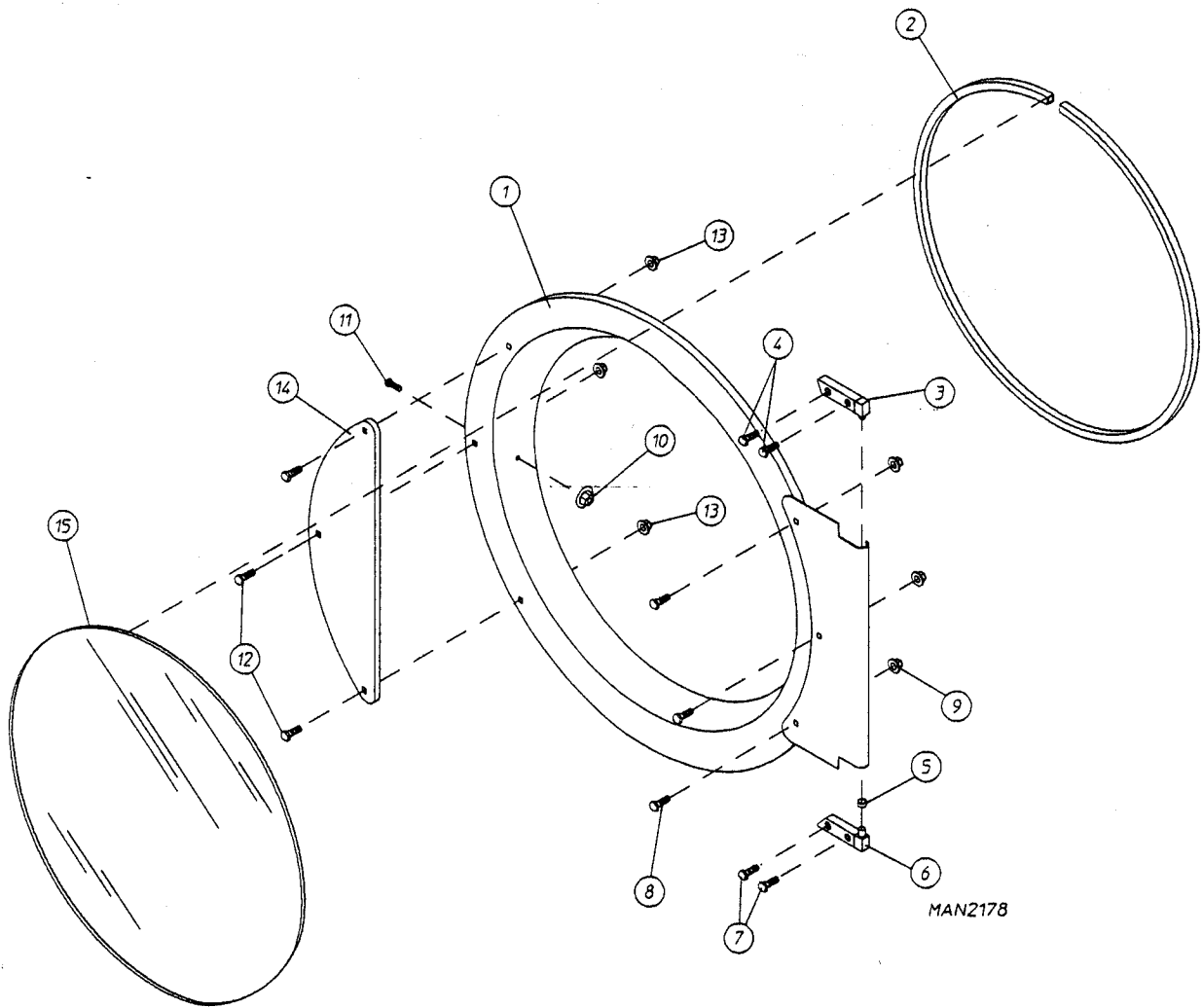


Illus. No.	Part No.	Qty.	Description
1*	881155	1	R.H. Front Panel Assembly (includes illus. nos. 1, 2, 6, and 7)
2	—	1	Stainless Steel Hinge Assembly (refer to page 14)
3	112227	1	Top Arrow Label (Red)
4	150415	24	10-16 x 1/2" Phillips Round Head Crimptite Screw
5	112226	1	Bottom Arrow Label (Blue)
6	154215	4	Pop Rivet
7	170330	2	Friction Door Catch
8	121405	2	Rubber Grommet

* Specify color when ordering.

Main Door "Steel" Assembly

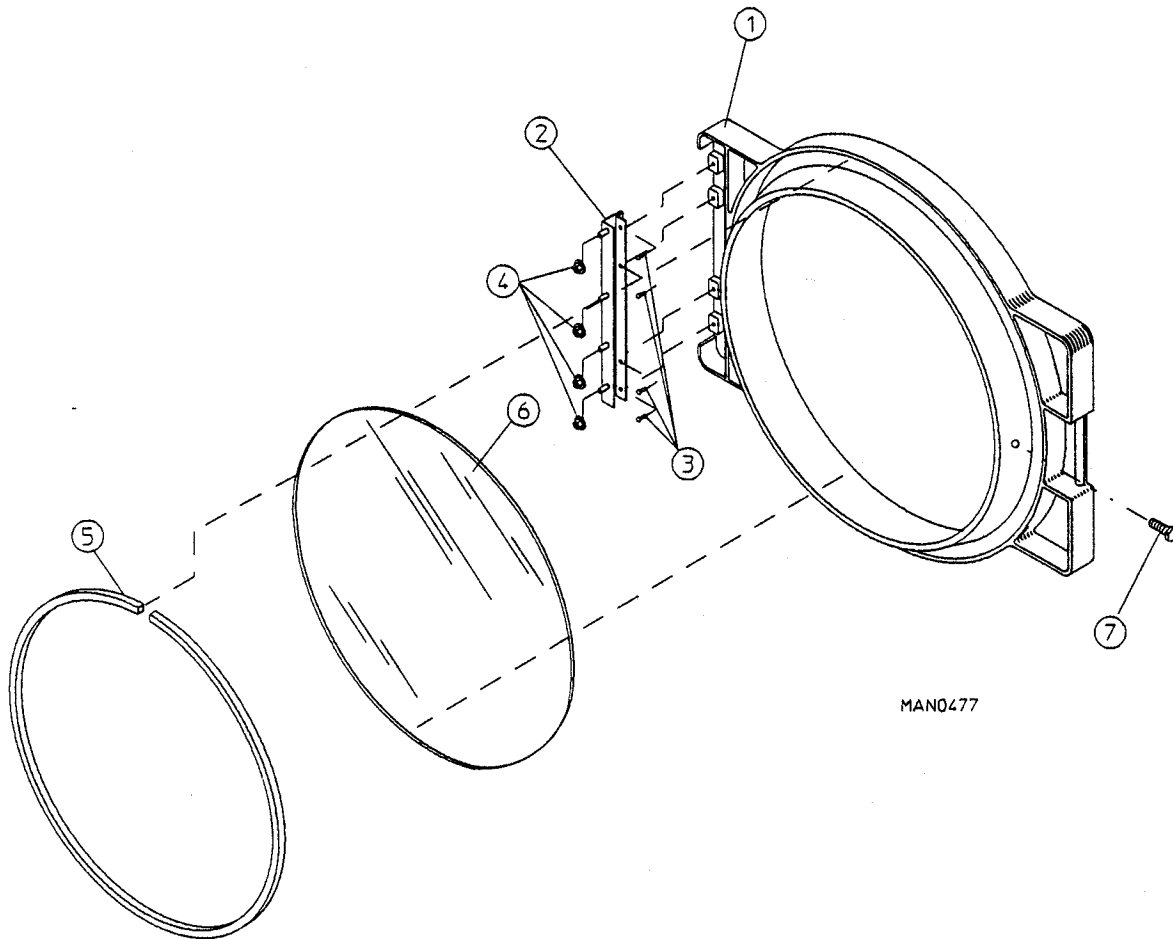
for models mfd. as of July 1, 1995



for models mfd. as of July 1, 1995

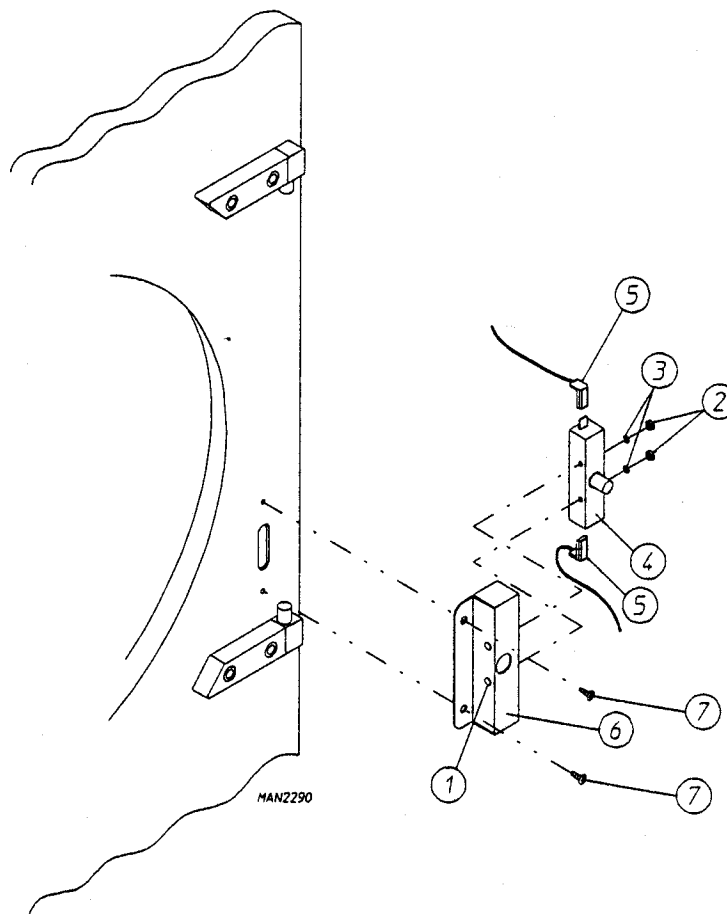
Illus. No.	Part No.	Qty.	Description
1	881150	1	Black Main Door Assembly complete (includes illus. nos. 1, 2, and 8 through 15)
	881207	1	Stainless Steel Main Door Assembly Complete (includes illus. 1, 2, and 8 through 15)
2	102353	1	Door Gasket
	170731	1	Gasket Adhesive (Black) 10.7oz. Cartridge
	170730	1	Gasket Adhesive (Clear) 10.7oz. Cartridge
3	881152	1	Top Hinge Block (Black) (includes illus. nos. 3 and 4)
	881208	1	Top Hinge Block (Stainless Steel) (includes illus. nos. 3 and 4)
4	150445	2	1/4-20 x 3/4" Black Cap Head Set Screw
	150443	2	1/4-20 x 3/4" Stainless Steel Cap Head Set Screw
5	153031	1	1/4" Nylon Washer
6	881151	1	Bottom Hinge Block (Black) (includes illus. nos. 5, 6, and 7)
	881209	1	Bottom Hinge Block (Stainless Steel) (includes illus. nos. 5, 6, and 7)
7	150445	2	1/4-20 x 3/4" Black Cap Head Set Screw
	150443	2	1/4-20 x 3/4" Stainless Steel Cap Head Set Screw
8	150683	3	Black 1/4-20 x 5/8" Carriage Bolt
	150682	3	Polished 1/4-20 x 5/8" Carriage Bolt (for models with Stainless Steel doors)
9	152014	3	1/2-20 Free Spin Wash Nut
10	151010	1	10-32 Hex Acorn Nut (Black)
	151009	1	10-32 Hex Acorn Nut (Stainless Steel)
11	150120	1	Door Latch Screw
12	150683	3	Black 1/4-20 x 5/8" Carriage Bolt
	150682	3	Polished 1/4-20 x 5/8" Carriage Bolt (for models with stainless steel doors)
13	152014	3	1/2-20 Free Spin Wash Nut
14	881210	1	Black Main Door Handle Only
	170333	1	Stainless Steel Main Door Handle Only
15	102211	1	20-7/16" Door Glass
	170731	1	Glass Adhesive (Black) 10.3 oz. cartridge
	170730	1	Glass Adhesive (Clear) 10.3 oz. cartridge

for models mfd. prior to July 1, 1995



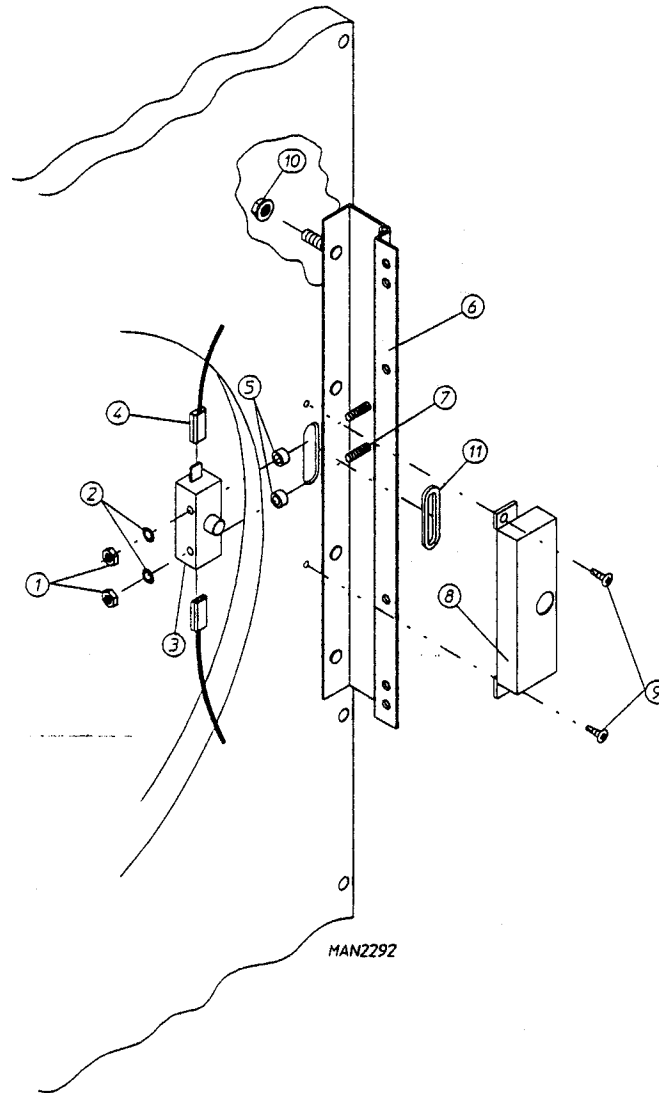
Illus. No.	Part No.	Qty.	Description
1	881422	1	Black Plastic (Latch) Main Door Assembly (includes illus. nos. 1, 5, 6, and 7)
2	800448	1	12 1/2" Stainless Steel Main Door Hinge Assembly
3	150410	4	#10-24 x 3/8" Phillips Pan Head Taptite Screw
4	152014	4	1/4-20 Free Spin Wash Nut
5	102353	1	69-1/2" Main Door Gasket
6	102210	1	20-7/16" Door Glass
	170730	1	Gasket & Glass Adhesive (12.5oz. Cartridge)
7	150431	1	Main Door Latch Screw (#10 x 7/16" Dome Hex Head Screw)

for models mfd. as of July 1, 1995

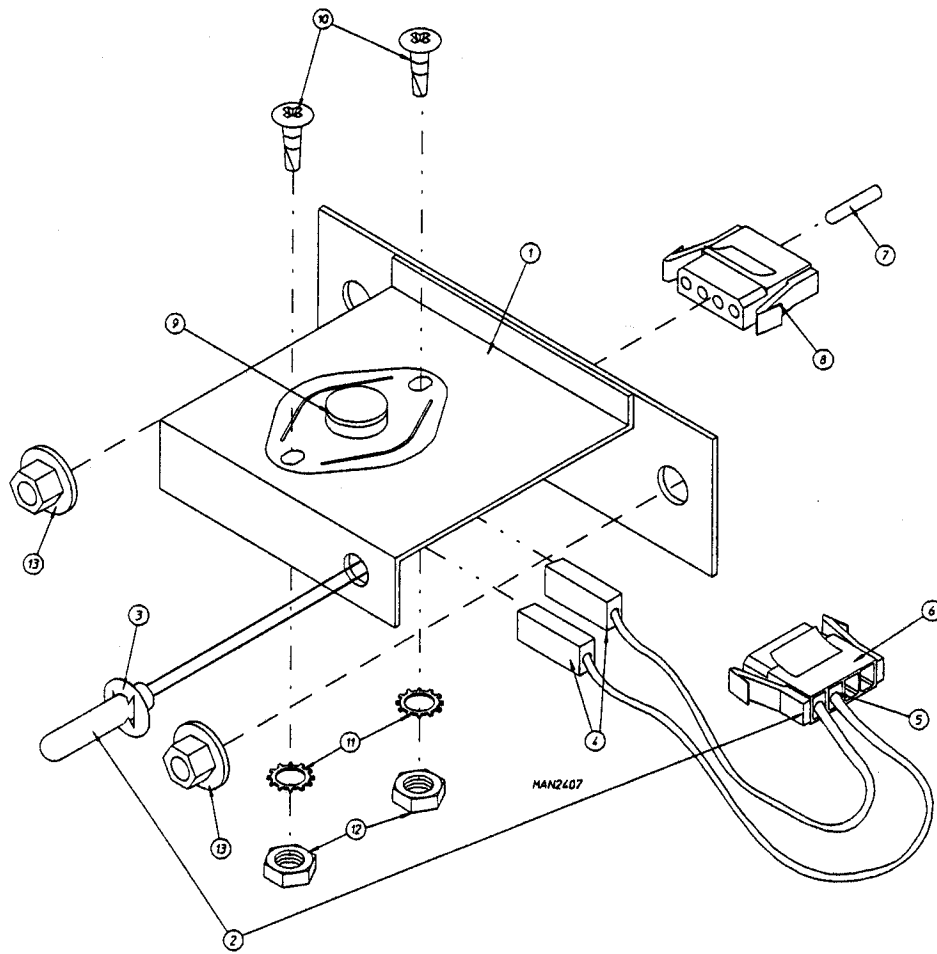


Illus. No.	Part No.	Qty.	Description
1	153566	2	6-32 x 7/8" Clinch Stud
2	152013	2	6-32 Hex Nut
3	153010	2	#6 Star Washer
4	137005	1	Door Switch
5	122636	2	Flag Terminal
6	881211	1	Black Main Door Switch Housing Only
	881212	1	Beige Main Door Switch Housing Only
	881213	1	White Main Door Switch Housing Only
	881214	1	Blue Main Door Switch Housing Only
	881153	1	Black Main Door Switch Housing Complete (includes illus. nos. 1, 2, 3, 4, and 6)
	881215	1	Beige Main Door Switch Housing Complete (includes illus. nos. 1, 2, 3, 4, and 6)
	881216	1	White Main Door Switch Housing Complete (includes illus. nos. 1, 2, 3, 4, and 6)
	881217	1	Blue Main Door Switch Housing Complete (includes illus. nos. 1, 2, 3, 4, and 6)
7	150301	2	#8-18 x 7/16" Phillips Pan Head TEK Screw

for models mfd. prior to July 1, 1995

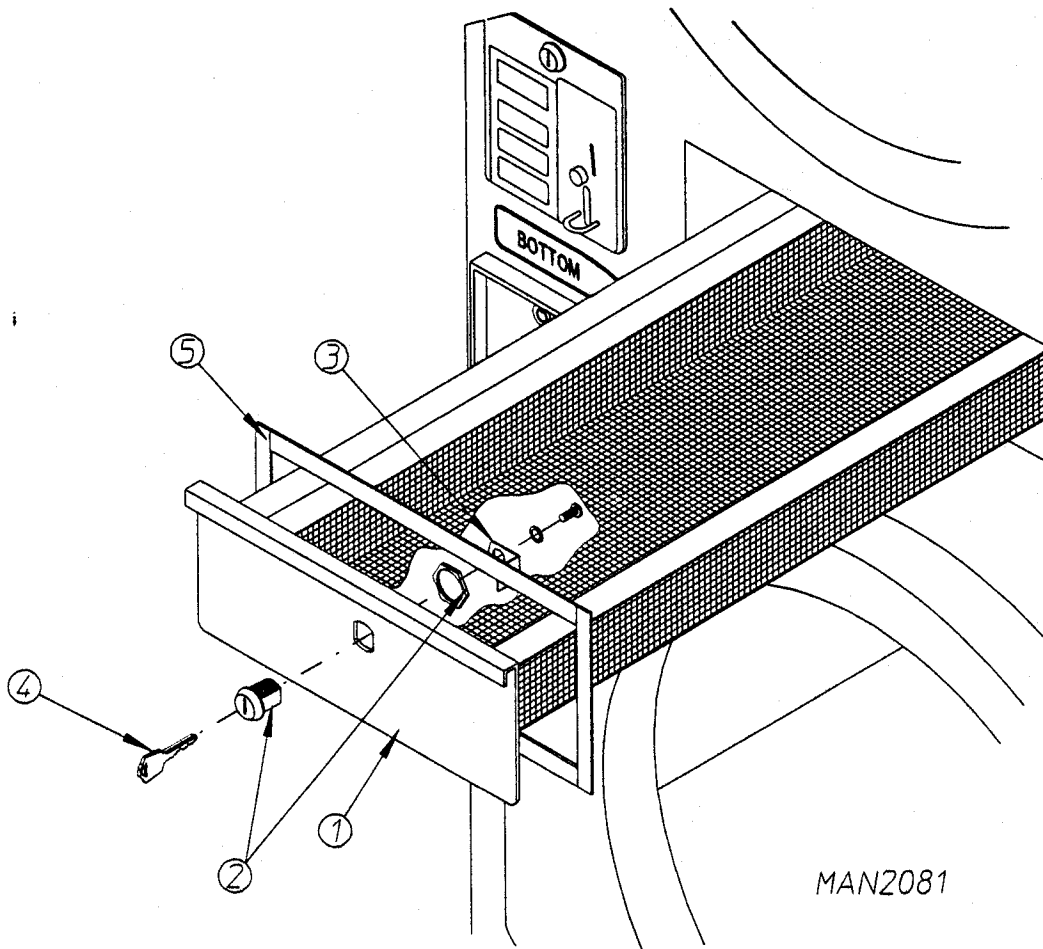


Illus. No.	Part No.	Qty.	Description
1	152013	2	6-32 Hex Nut
2	153008	2	#6 Lock Washer
3	137005	1	Door Switch
4	121028	2	Insulated Terminal
5	154281	2	3/8" Standard Nylon Spacer
6	800448	1	12-1/2" Stainless Steel Main Door Hinge Assembly (includes illus. nos. 6 and 7)
7	153565	2	#6 Stud
8	313218	1	Main Door Switch Housing
9	150201	2	10-32 x 1/4" Phillips Pan Head Screw
10	152014	4	1/4-20 Free Spin Wash Nut
11	121405	1	Grommet



Illus. No.	Part No.	Qty.	Description
1	853021	1	Sensor Bracket Only
	881090	1	Microprocessor Temperature Sensor Bracket Assembly Complete (includes illus. nos.1 through 6 and 9 through 12)
2	880251	1	Microprocessor Sensor Probe Assembly Complete (includes illus. nos. 2 through 6)
3	154007	2	1/4" Push on Fastener
4	121028	2	1/4" Terminal
5	122701	4	Socket Terminal
6	122605	1	4 Position Connector (Female)
7	122700	4	Pin Terminal
8	122604	1	4 Position Connector (Male)
9	130112	1	225° Thermostat
10	150005	2	6/32 x 1/4" Phillips Round Head Machine Screw
11	153010	2	#6 Star Washer
12	152013	2	6-32 Hex Nut
13	152014	2	1/4-20 Free Spin Wash Nut

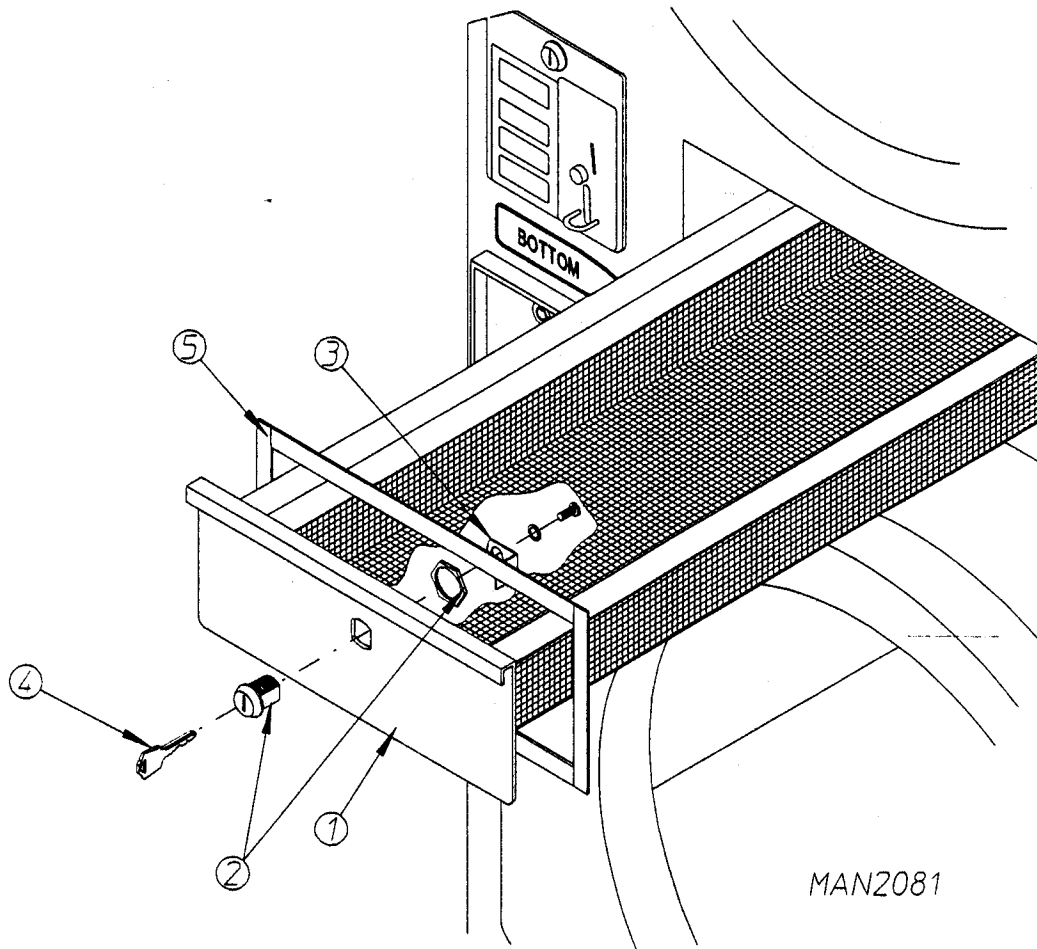
for models mfd. as of September 6, 1996



Illus. No.	Part No.	Qty.	Description
1	881445*	1	Textured Lint Drawer Assembly II (Less Lock and Logo)
	881444	1	Stainless Steel Lint Drawer Assembly II (Less Lock and Logo)
	881443*	1	Lint Drawer Assembly II (Less Lock and Logo)
	112346	1	Wasco Dry Logo ... Not Illustrated
2	160015	1	MK-100 Lock with key (less cam)
3	160031	1	Cam Only (90° Bend)
4	160104	1	Mk-100 Key Only
5	117600	4	Gasket (sold in feet)

* Specify color when ordering

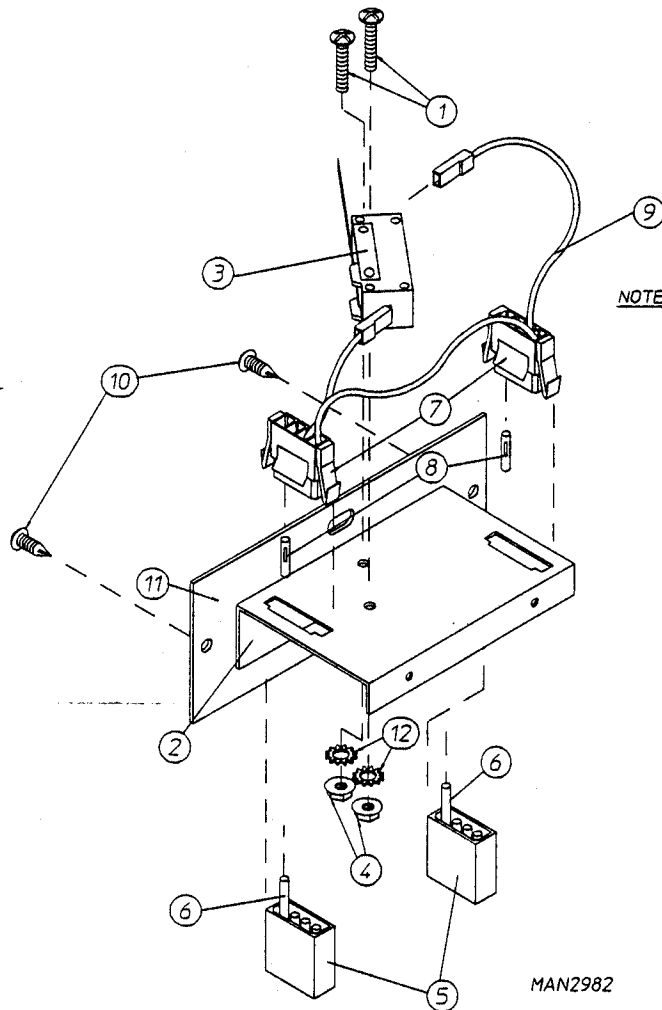
for models mfd. prior to September 6, 1996 with "Roller" Type Lint Drawer Switch



Illus. No.	Part No.	Qty.	Description
1	881234*	1	Textured Lint Drawer Assembly I (Less Lock and Logo)
	881442	1	Stainless Steel Lint Drawer Assembly I (Less Lock and Logo)
	881088*	1	Lint Drawer Assembly I (Less Lock and Logo)
	112346	1	Wasco Dry Logo ... Not Illustrated
2	160015	1	MK-100 Lock with key (less cam)
3	160031	1	Cam Only (90° Bend)
4	160104	1	Mk-100 Key Only
5	117600	4	Gasket (sold in feet)

* Specify color when ordering

for models mfd. as of September 6, 1996

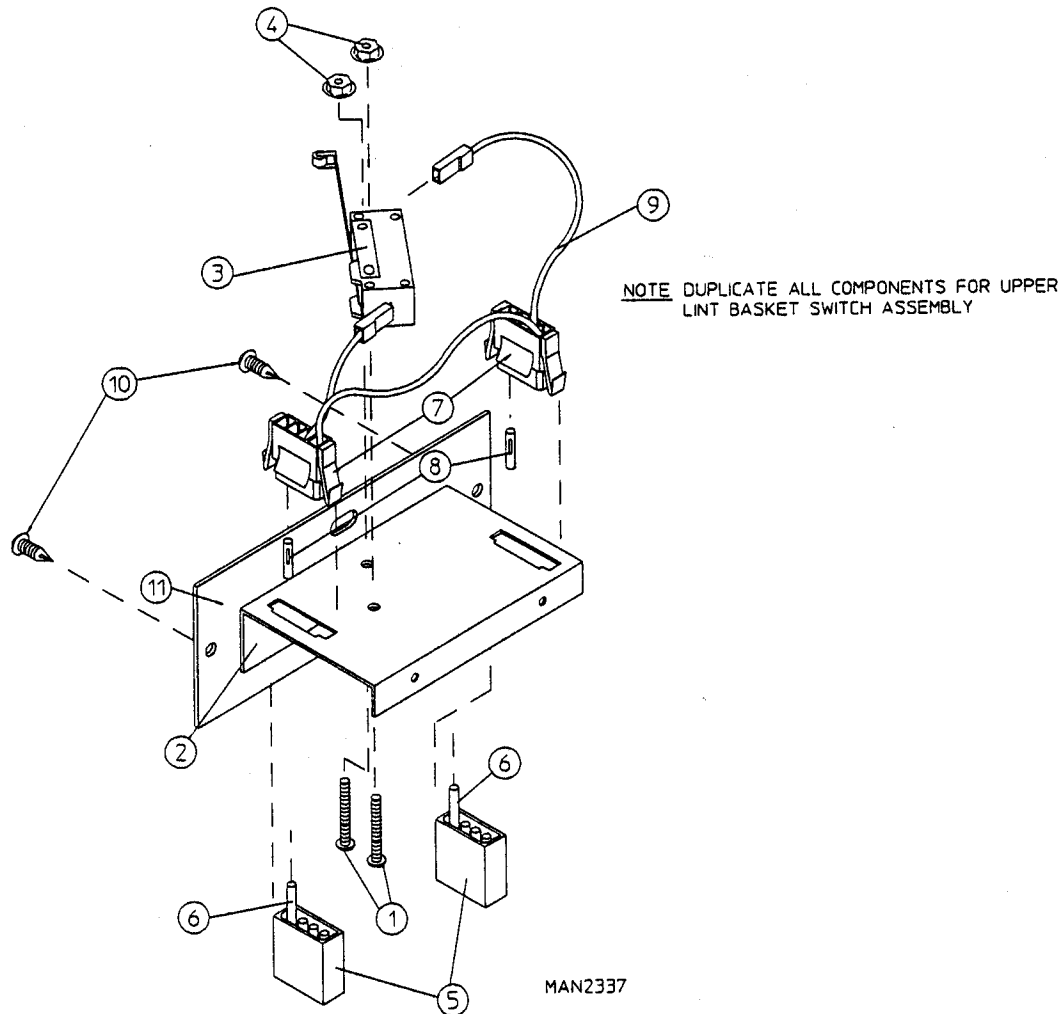


NOTE: DUPLICATE ALL COMPONENTS FOR UPPER
LINT BASKET SWITCH ASSEMBLY

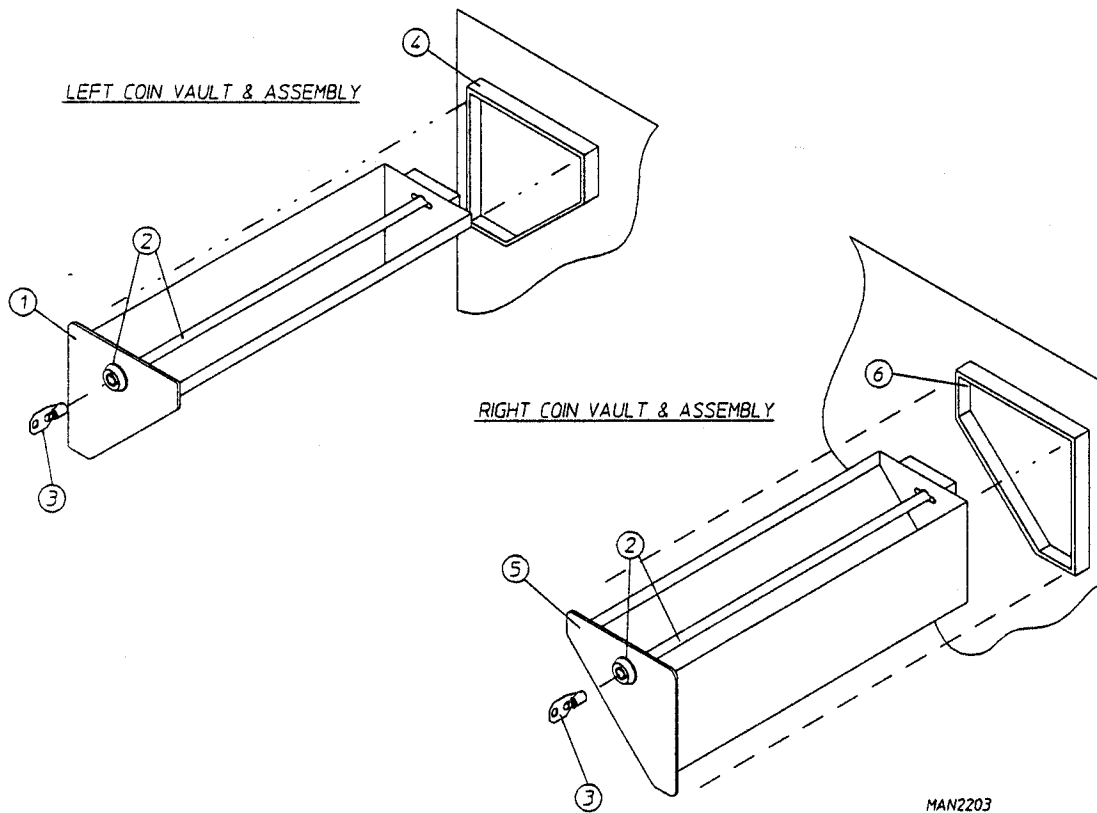
MAN2982

Illus. No.	Part No.	Qty.	Description
1	150002	2	6-32 x 1" Phillips Round Head Machine Screw
2	881456	1	Lint Drawer Switch Bracket II Only
3	136992	1	Lint Drawer Switch Only
4	152013	2	6-32 Hex Nut
5	122604	2	4 Pin Connector
6	122700	4	MNL Pin Terminal
7	122605	2	4 Pin Socket Connector
8	122701	4	MNL Socket Terminal
9	826303	1	Lint Drawer Switch Harness II (includes illus. nos. 7, 8, and 9)
10	150301	2	#8-18 x 7/16" Phillips Pan Head TEK Screw
11	881456	1	Lint Drawer Switch Bracket II Only

for models mfd. prior to September 6, 1996 with "Roller Type Switch"

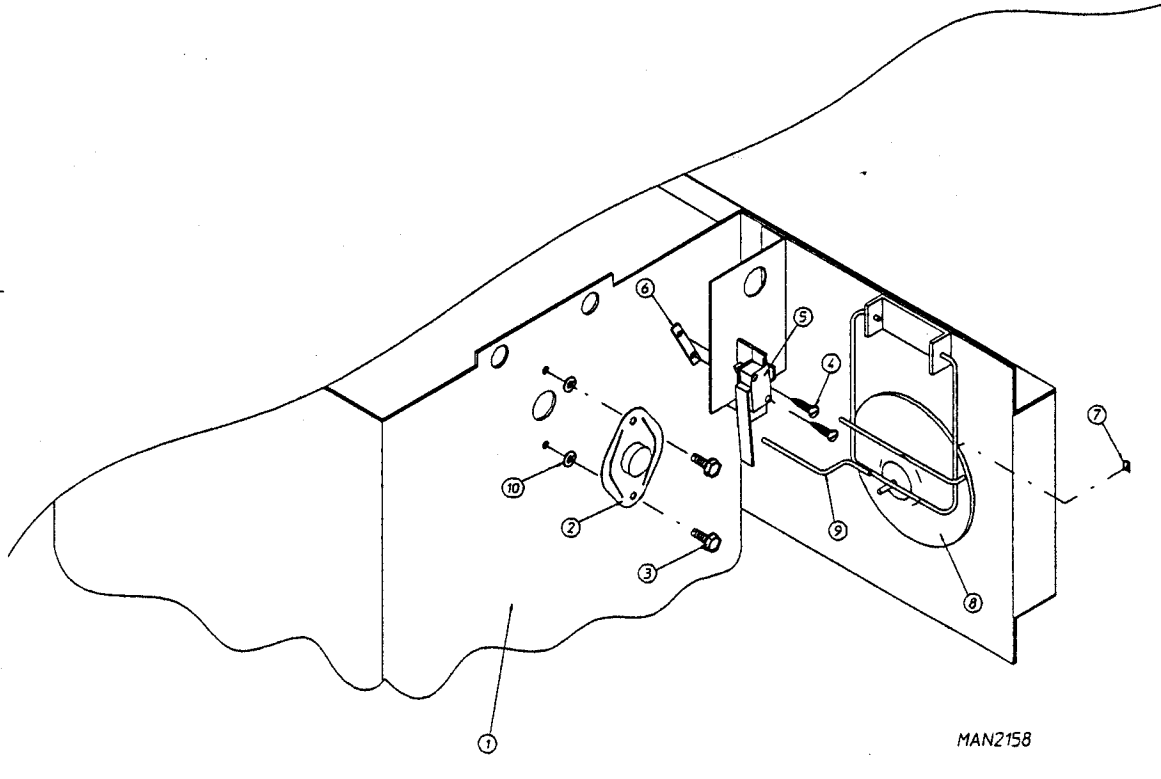


Illus. No.	Part No.	Qty.	Description
1	150002	2	6-32 x 1" Phillips Round Head Machine Screw
2	881095	1	Lint Drawer Switch Bracket I Only
3	136990	1	Lint Drawer Switch Only
4	152013	2	6-32 Hex Nut
5	122604	2	4 Pin Connector
6	122700	4	MNL Pin Terminal
7	122605	2	4 Pin Socket Connector
8	122701	4	MNL Socket Terminal
9	824848	1	Lint Drawer Switch Harness (includes illus. nos. 7, 8, and 9)
10	150301	2	#8-18 x 7/16" Phillips Head TEK Screw
11	881095	1	Lint Drawer Switch Bracket I Only



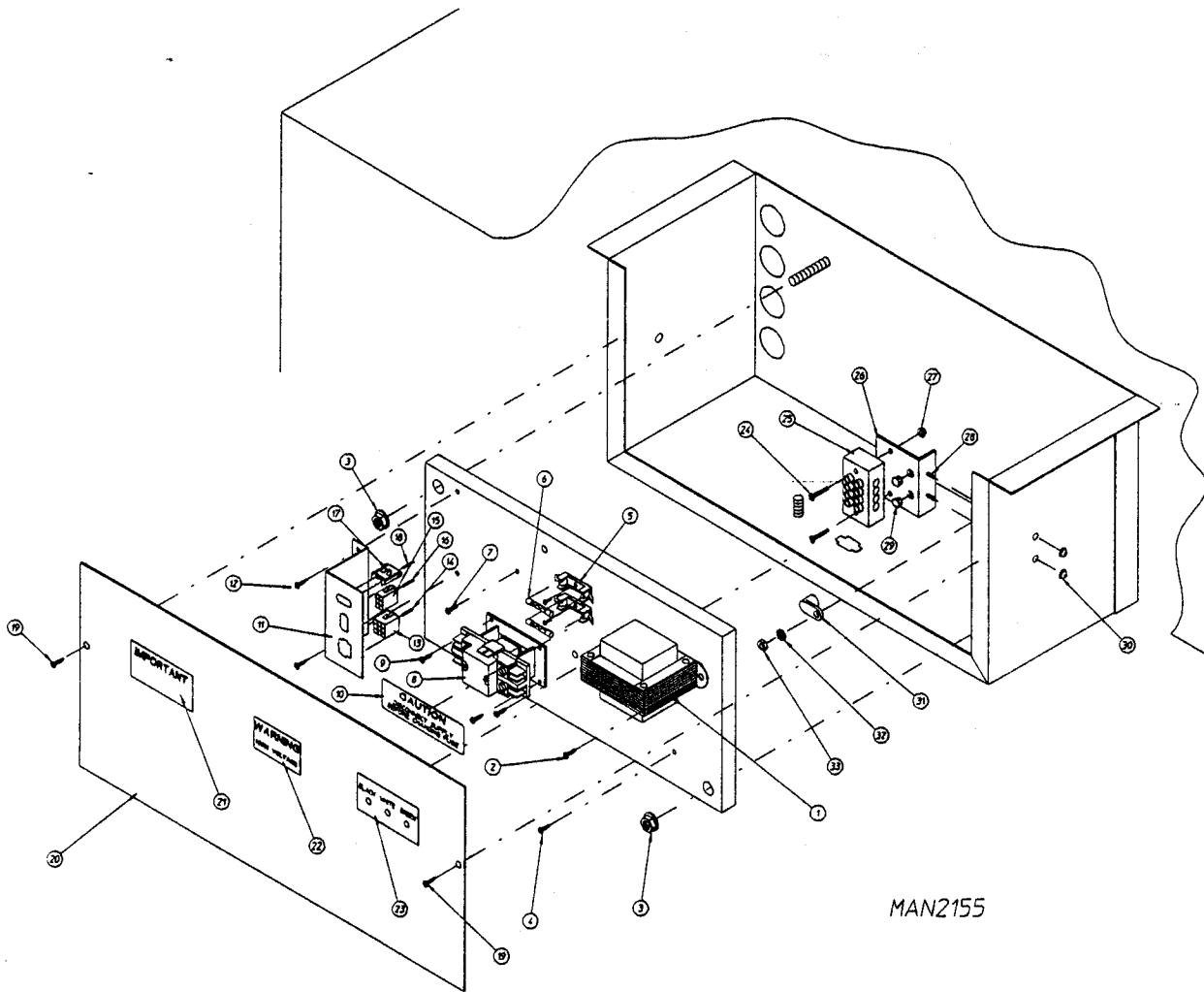
Illus. No.	Part No.	Qty.	Description
1	881174	1	Left / Right Coin Box Face Plate Only (Black)
	881168	1	Left Coin Box with Black Face Plate Only (less Lock)
2	160036	2	Coin Box Lock with Key (not supplied with dryer)
	881158	1	Coin Box Lock kit (includes 2 locks with keys "keyed alike")
3	160136*	1	Coin Box Lock Key Only
4	881178	1	Left Coin Vault Only (Black)
5	881174	1	Left / Right Coin Box Face Plate Only (Black)
	881167	1	Right Coin Box with Black Face Plate Only (less Lock)
6	881179	1	Right Coin Vault Only (Black)

* Specify key number when ordering.



Illus. No.	Part No.	Qty.	Description
1	881223	1	Burner Tunnel Assembly
2	130401	1	330° Hi-Limit
3	150300	2	#10 x 1/2" Hex Washer TEK Screw
4	150303	2	#4 x 3/4" Pan Head Screw
5	122200	1	Sail Switch
6	154004	1	Twin Speed Nut
7	154002	1	1/8" Push on Fastener
8	319206	1	Sail Switch Damper
9	105550	1	Sail Switch Rod
10	153002	2	5/16 Lock Washer

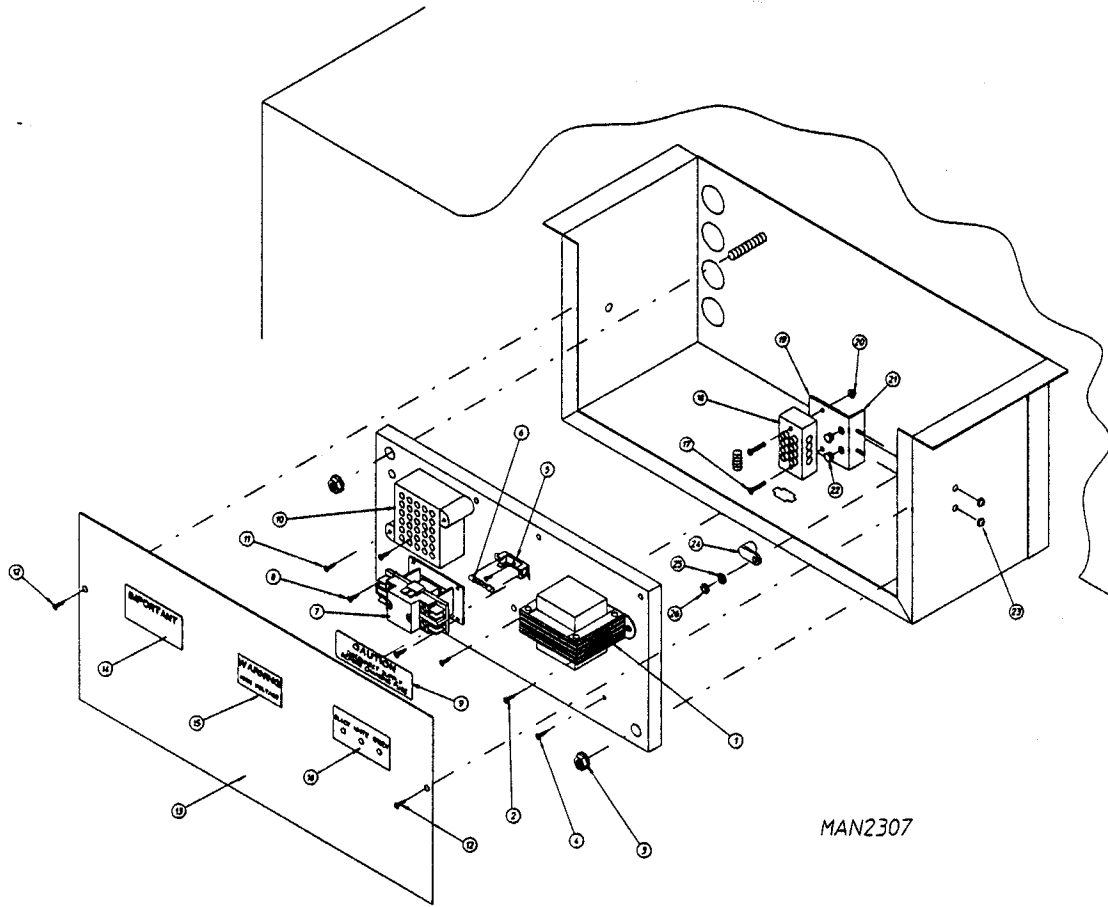
for models mfd. as of July 1, 1995



for models mfd. as of July 1, 1995

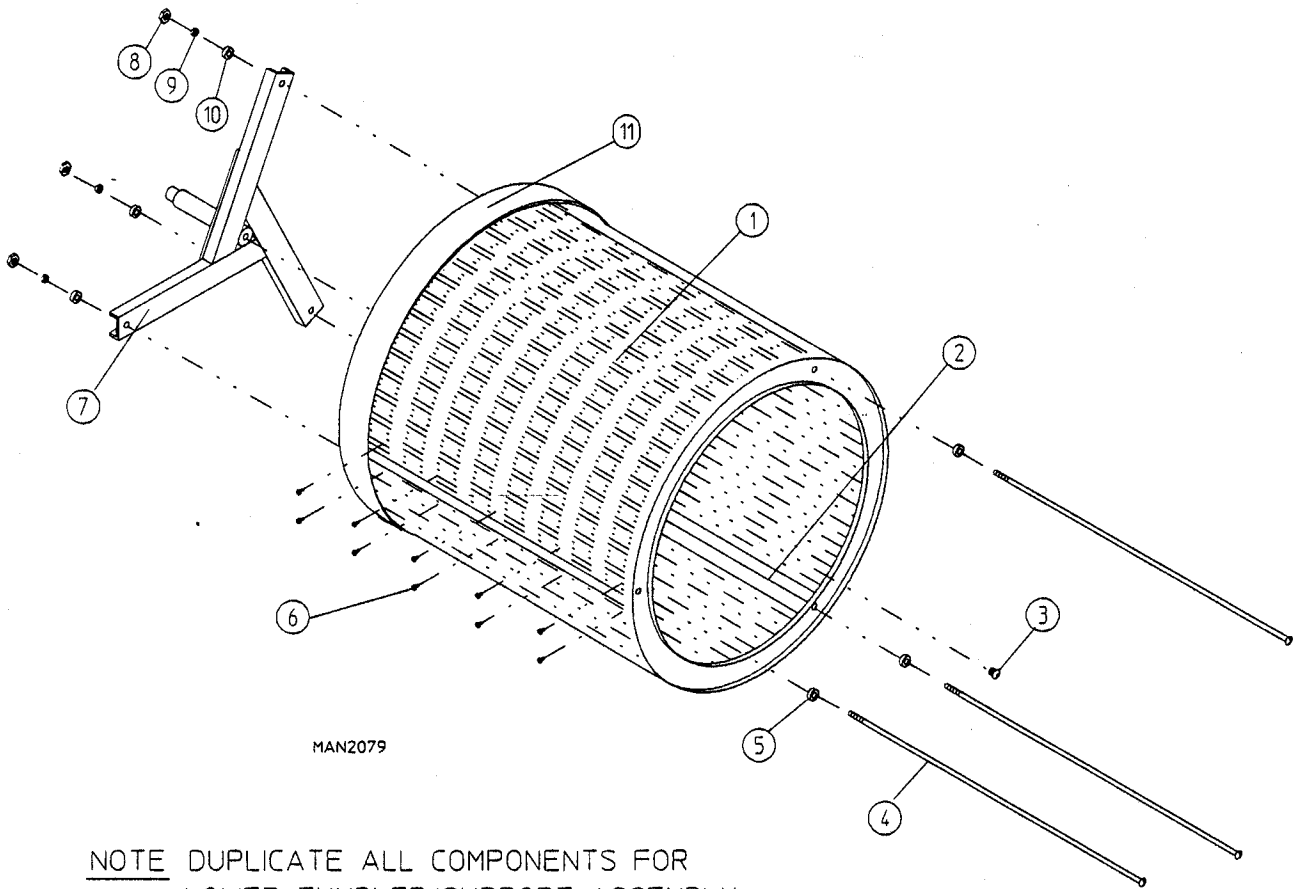
Illus. No.	Part No.	Qty.	Description
1	881452	1	Stepdown Transformer - 115 VAC
	881453	1	Stepdown Transformer - 208 VAC
	881454	1	Stepdown Transformer - 240 VAC
2	150301	2	#8-18 x 7/16" Phillips Pan Head TEK Screw
3	152014	2	1/4-20 Free Spin Nut
4	150301	1	#8-18 x 7/16" Phillips Pan Head TEK Screw
5	136008	1 or 2	Fuse Block
6	136057	1 or 2	0.5 Amp (Slo Blo) Fuse
7	150301	1 or 2	#8-18 x 7/16" Phillips Pan Head TEK Screw
8	132451	1	Motor Contactor (24v)
9	150301	2	#8-18 x 7/16" Phillips Pan Head TEK Screw
10	112025	1	Caution / Fuse Label
11	353161	1	Connector Bracket
12	150301	2	#8-18 x 7/16" Phillips Pan Head TEK Screw
13	122642	1	9 Pin Connector
14	122643	8	M-N-L Pin
15	122645	1	6 Pin Connector
16	122643	6	M-N-L Pin
17	182458	1	3 Pin Connector
18	137028	3	Pin
19	150301	2	#8-18 x 7/16" Phillips Pan Head TEK Screw
20	353153	1	Rear Electrical Box Cover
21	112046	1	Ground Label
22	112014	1	High Voltage Label
23	112039	1	Black/White/Green/Ground Label
24	150008	2	6-32 x 1 1/4" Round Head Machine Screw
25	120701	1	4 Position Terminal Block
26	881222	1	Power Distribution Block Mtg. Bracket
27	151000	2	6-32 Pal Nut
28	153528	2	8-32 x 1/2" Clinch Stud
29	121300	2	Bushing
30	152001	2	8-32 Hex Nut
31	121010	1	Ground (L70) Lug
32	153007	1	1/4" Lock Washer
33	152002	1	1/4"-20 Hex Nut

for models mfd. prior to July 1, 1995



for models mfd. prior to July 1, 1995

Illus. No.	Part No.	Qty.	Description
1	141403	1	Stepdown Transformer
2	150301	2	#8-18 x 7/16" Phillips Pan Head TEK Screw
3	152014	2	1/4-20 Free Spin Nut
4	150301	1	#8-18 x 7/16" Phillips Pan Head TEK Screw
5	136008	1 or 2	Fuse Block
6	136057	1 or 2	0.5 Amp (Slo Blo) Fuse
7	132451	1	Motor Contactor (24v)
8	150301	2	#8-18 x 7/16" Phillips Pan Head TEK Screw
9	112025	1	Caution / Fuse Label
10	120715	1	Terminal Block
11	150008	2	6-32 x 1 1/4" Round Head Machine Screw
12	150301	2	#8-18 x 7/16" Phillips Pan Head TEK Screw
13	353153	1	Rear Electrical Box Cover
14	112046	1	Ground Label
15	112014	1	High Voltage Label
16	112039	1	Black/White/Green/Ground Label
17	150008	2	6-32 x 1 1/4" Round Head Machine Screw
18	120701	1	4 Position Terminal Block
19	881222	1	Power Distribution Block Mtg. Bracket
20	151000	2	6-32 Pal Nut
21	153528	2	8-32 x 1/2" Clinch Stud
22	121300	2	Bushing
23	152001	2	8-32 Hex Nut
24	121010	1	Ground (L70) Lug
25	153007	1	1/4" Lock Washer
26	152002	1	1/4"-20 Hex Nut

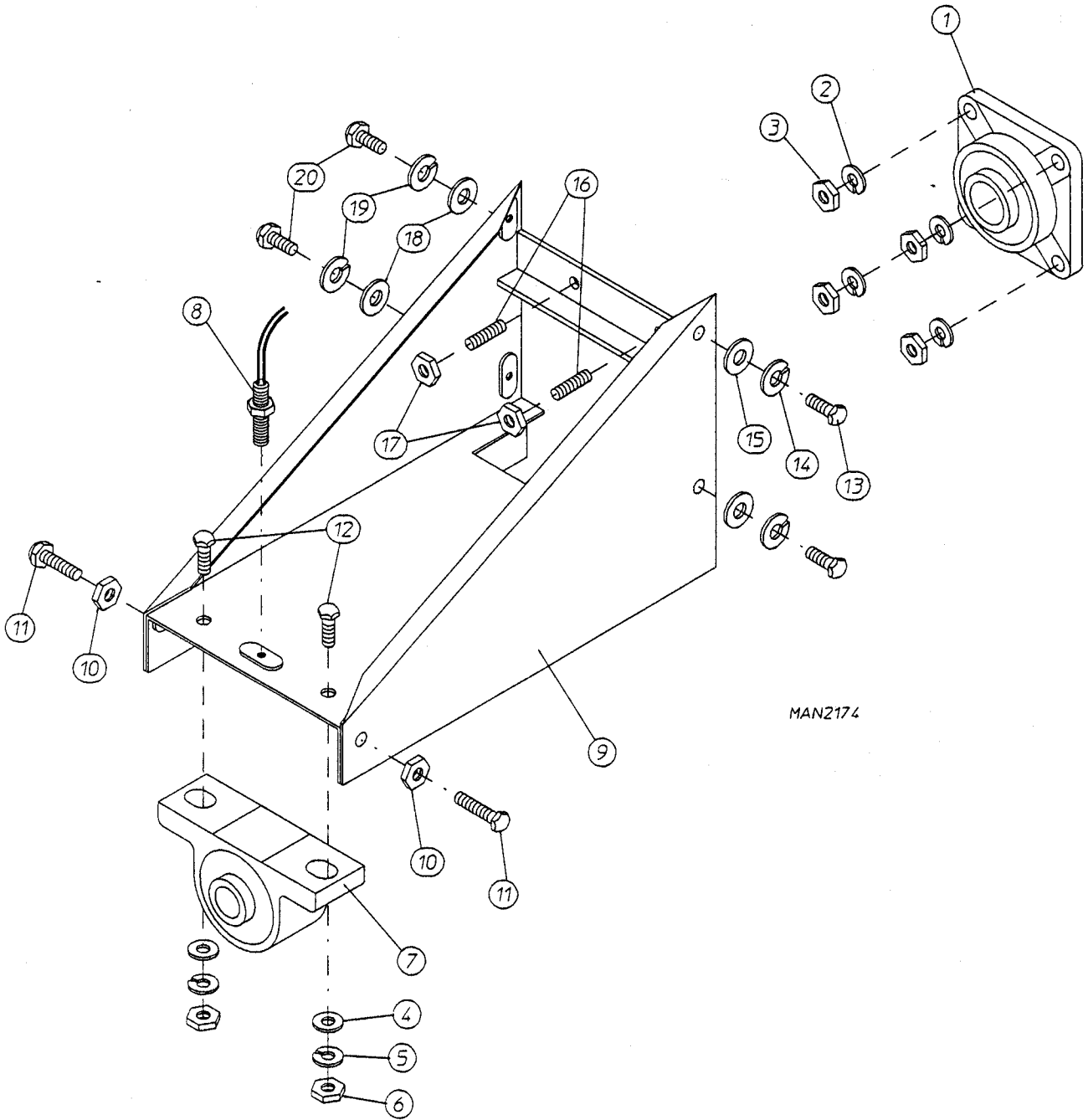


MAN2079

NOTE DUPLICATE ALL COMPONENTS FOR
LOWER TUMBLER/SUPPORT ASSEMBLY

Illus. No.	Part No.	Qty.	Description
1	800831	1	Tumbler (Galvanized) and Support Assembly Complete with Felt Collar (includes illus. nos. 1 through 11)
	800721*	1	Tumbler Only (Galvanized)
	800891	1	Stainless Steel Tumbler and Support Assembly Complete with Felt Collar (includes illus. nos. 1 through 11)
	800841*	1	Stainless Steel Tumbler Only
2	301315	2	Short (Galvanized) Tumbler Rib Only
	301316	1	Tall (Galvanized) Tumbler Rib Only
	301414	2	Short (Stainless Steel) Tumbler Rib Only
	301415	1	Tall (Stainless Steel) Tumbler Rib Only
3	150518	1	5/16-18 x 3/8" Socket Button Head Screw
4	100902	3	5/16-18 x 31" Tie-Rod
5	153001	3	5/16 Flat Washer
6	154210	30	5/32 x 3/16" Pop Rivet
7	800617	1	Tumbler Support Only
8	152004	3	5/16-18 Hex Nut
9	153002	3	5/16 Lock Washer
10	153001	3	5/16 Flat Washer
11	116003	1	Felt Collar Only
	401010	1	#847 Adhesive for Felt Collar (5 oz. Tube)

* Felt Collar not included and **must be** ordered separately.

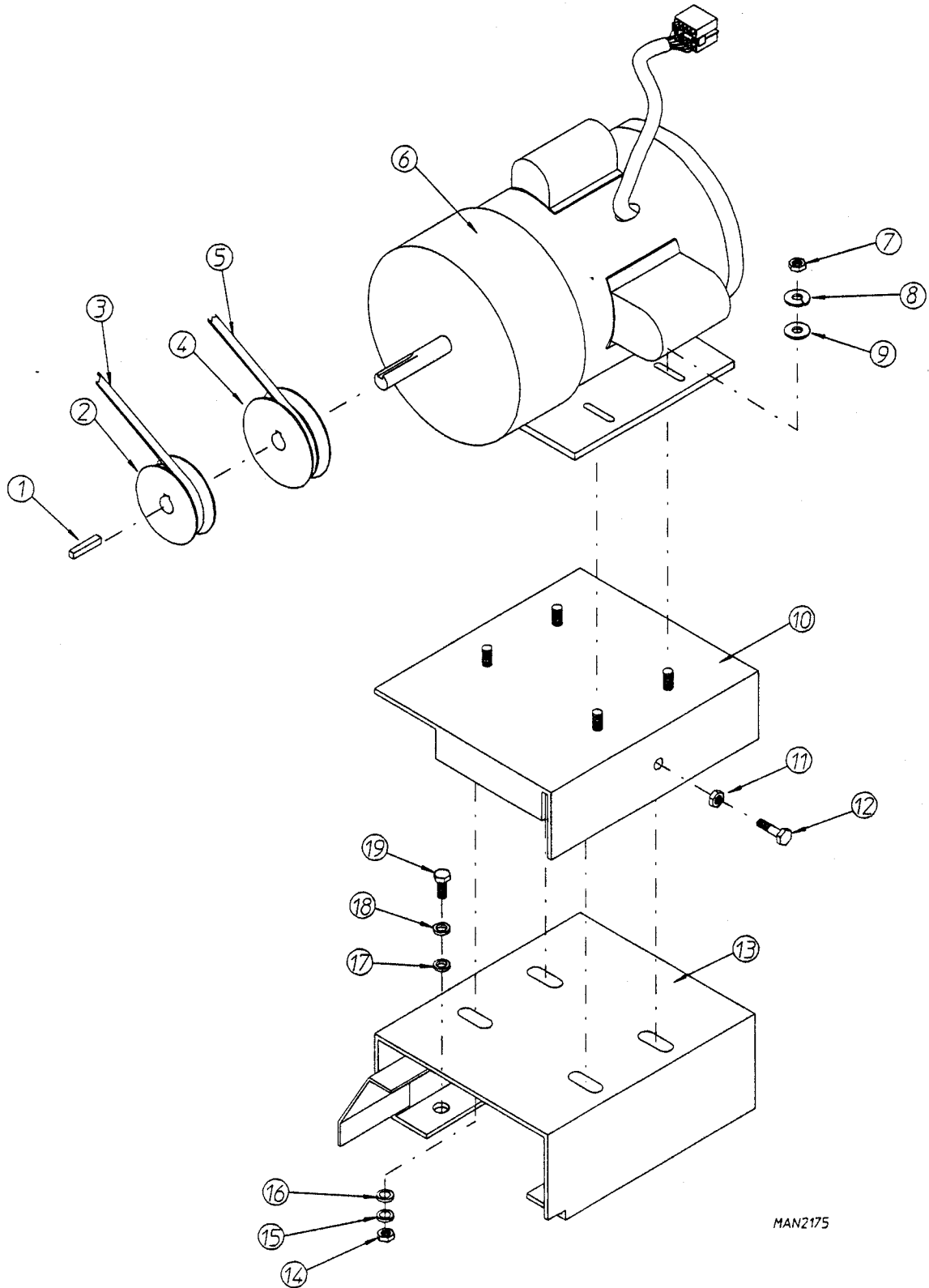


Illus. No.	Part No.	Qty.	Description
1	880203	1	1-3/8" Flange Bearing
	880938	1	Cone Point Set Screw Kit ... Not Illustrated
2	153005	4	3/8" Lock Washer
3	152005	4	3/8-16 Hex Nut
4	153004	2	3/8" Flat Washer
5	153005	2	3/8" Lock Washer
6	152005	2	3/8-16 Hex Nut
7	880881	1	1 3/8" Pillow Block Bearing with Rotation Sensor Magnet
	880938	1	Cone Point Set Screw Kit ... Not Illustrated
8	824807	1	Rotational Sensor Magnetic Switch Assembly
9	853040	1	Tumbler Bearing Support only
10	152004	2	5/16-18 Hex Nut
11	150621	2	5/16-18 x 1-1/2" Hex Head Machine Bolt
12	150600	2	3/8-16 x 1-1/2" Hex Head Machine Bolt
13	150501	2	5/16-18 x 3/4" Hex Head Machine Bolt
14	153002	2	5/16" Lock Washer
15	153001	2	5/16" Flat Washer
16	150610	2	5/16-18 x 1-1/2" Allen Set Screw
17	152004	2	5/16-18 Hex Nut
18	153001	2	5/16" Flat Washer
19	153002	2	5/16" Lock Washer
20	150501	2	5/16-18 x 3/4" Hex Head Machine Bolt

Illus. No.	Part No.	Qty.	Description
1	142502	1	1/2" x 3/4" Street Elbow
2	881372	1	1/2" F.P.T. Straight Shutoff Assembly (with Tail Piece and Collar)
3	318713	1	Gas Valve Bracket
4	128927	1	1/2" (natural) 24 VAC Gas Valve
	880960	1	1/2" (L.P.) 24 VAC Gas Valve
	140411	1	Valve L.P. Conversion Kit
5	141204	1	1/2" Single Port Manifold
6	150301	2	#8-18 x 7/16" Phillips Pan Head TEK Screw
7	150301	3	#8-18 x 7/16" Phillips Pan Head TEK Screw
8	353152	1	Manifold Bracket
9*	140835	1	Natural (#9) Burner Orifice
	140855	1	L.P. (#33) Burner Orifice
10	318009	1	Burner Tube Bracket
11	141130	1	Up-Shot Burner Tube
12	151001	2	#8 Pal Nut
13	150309	2	#10-16 x 1/2" Hex Head TEK Crimptite Screw
14	102600	3	Retainer
15	353099	1	Burner Bracket Cover
16	150300	1	#10 x 1/2" Hex Washer TEK Screw
17	128917	1	Spark Electrode with High Voltage (HV) Wire
18	150315	1	6 x 3/8" Phillips Head Screw
19	128918	1	Flame Sensor Probe Only
20	150315	1	#6 x 3/8" Phillips Head Screw
21	141109	1	Burner Spreader Only
22	880815	1	DSI Module
23	151000	4	#6 Pal Nut
24	881360	1	ADG-530 Flame Probe 18" Harness Only
25**	881183	1	Burner Assembly (Natural Gas) Complete less Orifice (includes illus. nos. 1 through 8, 10, 11, 12, and 14 through 24)
	881184	1	Burner Assembly (L.P. Gas) Complete less Orifice (includes illus. nos. 1 through 8, 10, 11, 12, and 14 through 24)
26	880869	1	CorCom Filter Kit
	881119*	1	ADG-530 L.P. Conversion Kit (includes parts to convert both top and bottom tumblers)

* Consult the factory for elevations over 2,000 feet.

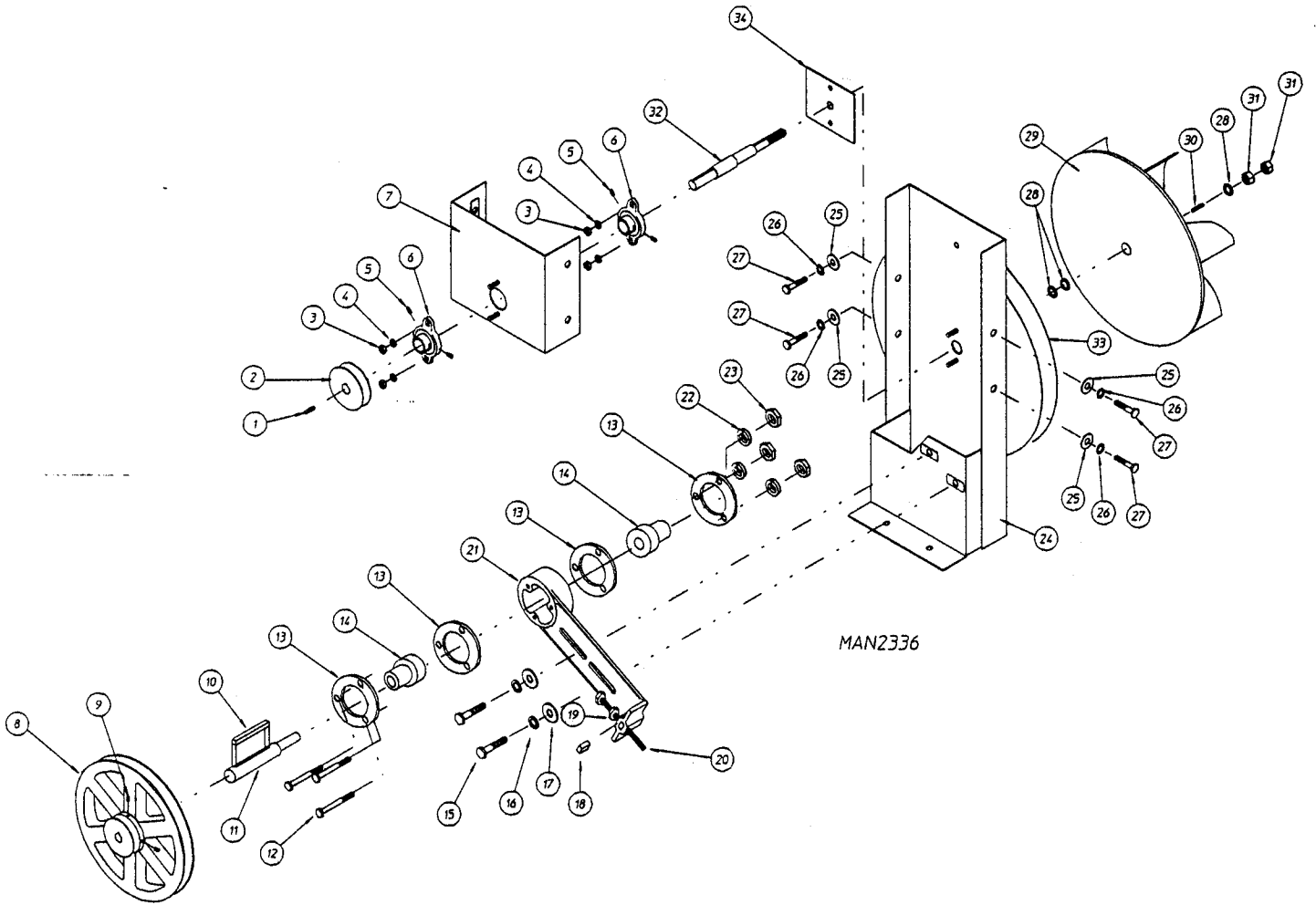
** Burner Orifice not included and **must be** ordered separately.



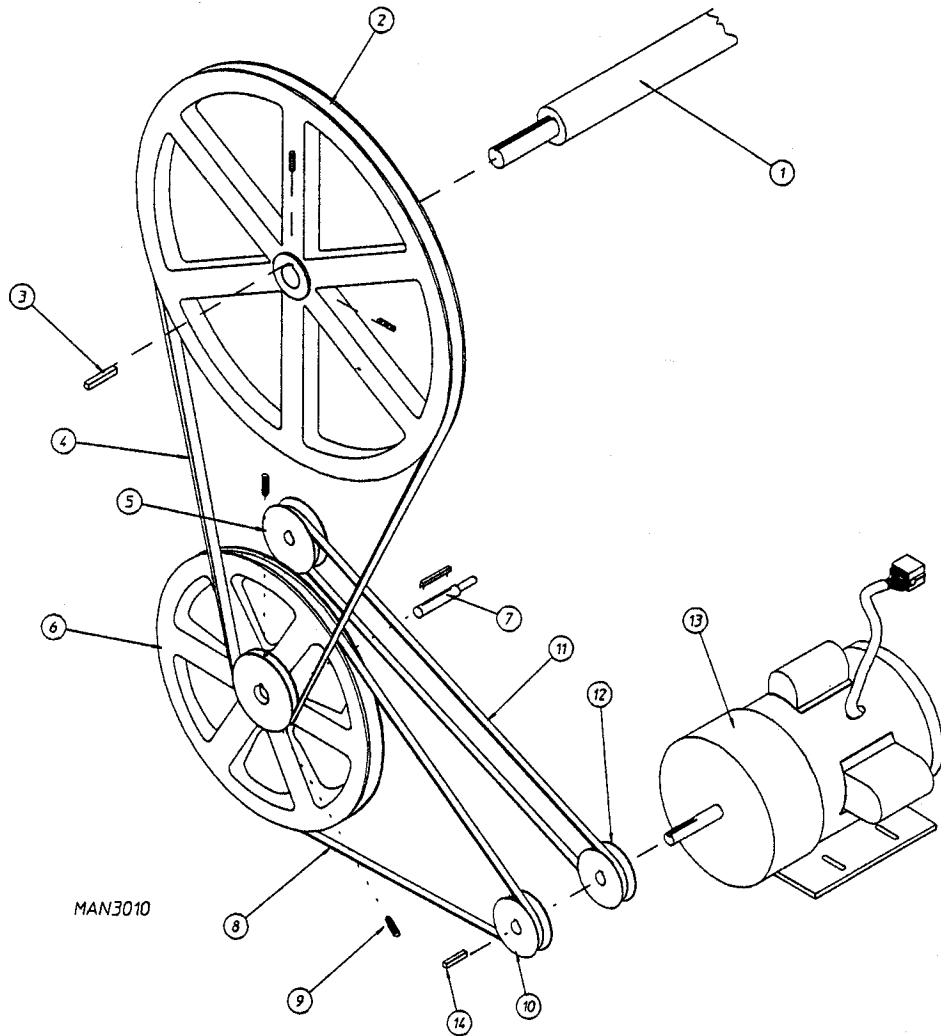
MAN2175

Illus. No.	Part No.	Qty.	Description
1	100718	1	3/16" x 3/16" x 2-1/4" Key (for models mfd. as of January 23, 1996)
	100705	1	3/16" x 3/16" x 1-3/8" Key (for models mfd. prior to January 23, 1996)
2	101205	1	2.6 O.D. x 5/8" I.D. Pulley
3	100171	1	4L-440 V-Belt
4	101207	1	3.0 O.D. x 5/8" I.D. Pulley
5	100156	1	5L-330 V-Belt
6	181022	1	3/4 H.P. 115/230v 1 Phase 60 Hz Motor (for models mfd. as of December 17, 1995)
	881303*	1	3/4 H.P. 115/230v 1 Phase 60 Hz Motor (for models mfd. prior to December 17, 1995)
7	152004	4	5/16-18 Hex Nut
8	153002	4	5/16" Lock Washer
9	153001	4	5/16" Flat Washer
10	853087	1	Motor Mount Slide Mount Assembly Only
11	152005	1	3/8-16 Hex Nut
12	150601	1	3/8-16 x 2" Hex Bolt
13	853042	1	Motor Base Assembly Only
14	152004	4	5/16-18 Hex Nut
15	153002	4	5/16" Lock Washer
16	153001	4	5/16" Flat Washer
17	153001	4	5/16" Flat Washer
18	153002	4	5/16" Lock Washer
19	150501	4	5/16-18 x 3/4" H.H. Machine Bolt
—	881096	1	115/230V 1 Phase 60Hz Drive Motor Mount Assembly Complete (includes illus. nos. 1, 2, 4, and 6 through 16)

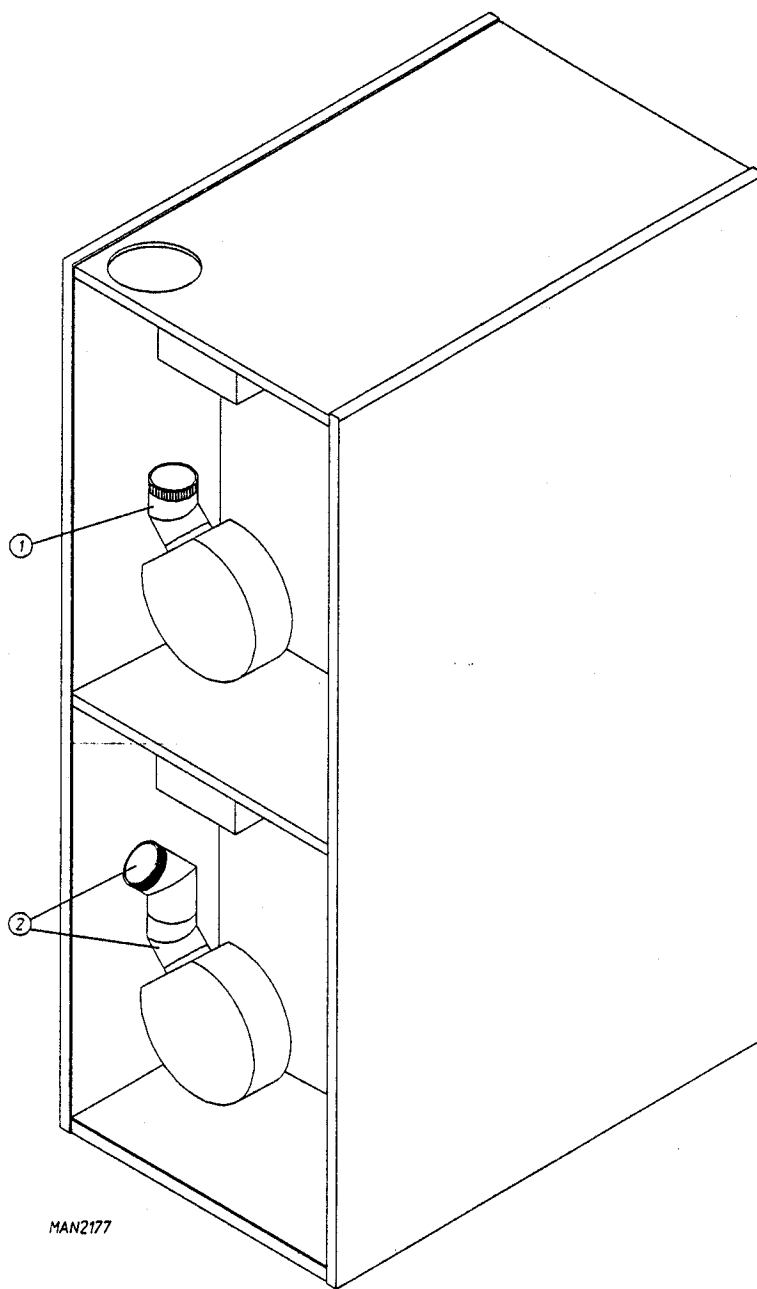
* Part includes Motor Mount Slide Assembly (Illus. No. 10) which is necessary for installation.



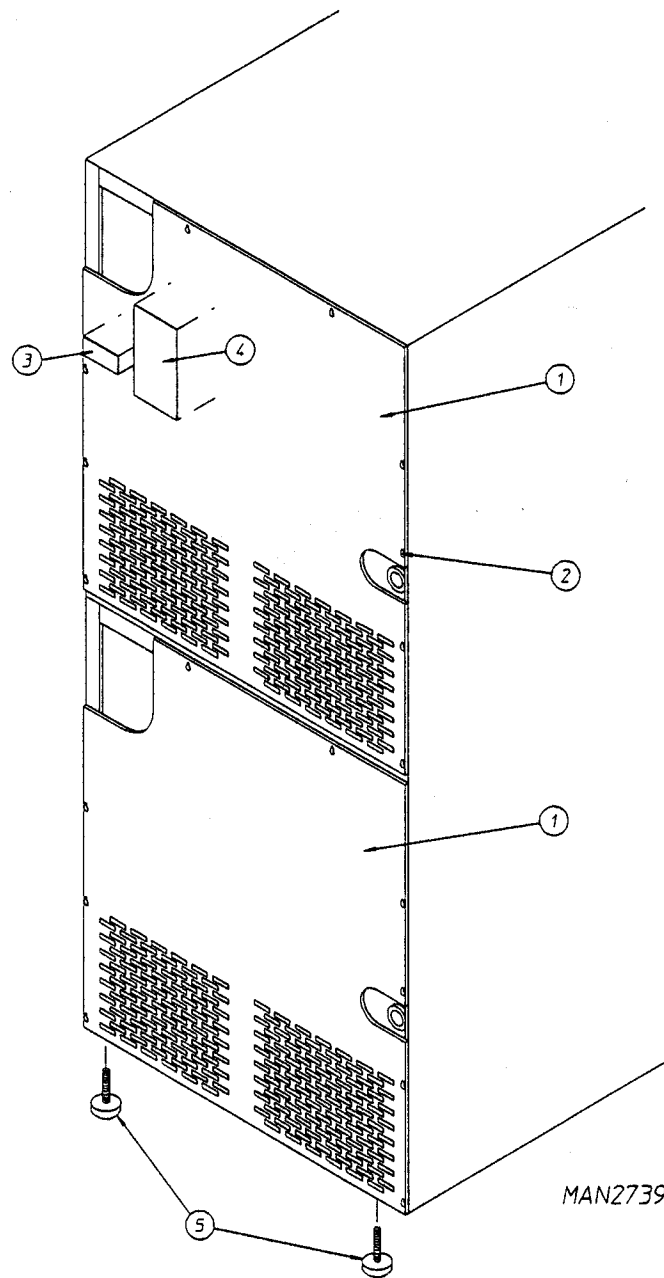
Illus. No.	Part No.	Qty.	Description
1	100701	1	3/16" x 3/16" x 1" Key
2	101206	1	2.8 O.D. x 5/8" I.D. Pulley
3	152002	4	1/4-20 Hex Nut
4	153007	4	1/4" Lock Washer
5	154324	4	10-32 x 1/4" Cone Point Set Screw
6	881361	2	5/8" Flange Bearing
7	881225	1	Impellor (Fan) Bearing Mount Only
8	101129	1	9" Pulley
9	154301	2	5/16-18 x 5/16 Allen (Cone Point) Set Screw
10	100705	1	3/16" x 3/16" x 1-3/8" Key
11	301850	1	Idler Shaft
12	150529	3	1/4-20 x 2-1/4" Carriage Bolt
13	————	4	Flanges (part of Part No. 100214 Bearing)
14	100214	2	5/8" Flange Bearing
15	150617	2	3/8"-16 x 1" Hex Head Machine Bolt
16	153005	2	3/8" Lock Washer
17	153004	2	3/8" Flat Washer
18	152020	1	5/16-18 Square Nut
19	152004	1	5/16-18 Hex Nut
20	150509	1	5/16-18 x 3" Hex Head Machine Bolt
21	801008	1	Cast Idler Assembly Complete (includes illus. nos. 10 through 23)
	100406	1	Cast Idler Bearing Mount Assembly
22	153007	3	1/4" Lock Washer
23	152002	3	1/4-20 Hex Nut
24	881226	1	Impellor/Fan Mount Weldment Only (includes illus. no. 33)
25	153004	4	3/8" Flat Washer
26	153005	4	3/8" Lock Washer
27	150508	4	3/8-16 x 3/4" Hex Head Machine Bolt
28	153050	3 or 4	1/2" x 1-1/16" Flat Washer
29	100604	1	12.5 Fan (Impellor)
30	100723	1	1/8 x 1/8 x 1 3/8" Key
31	152006	2	1/2-20 L.H. Jam Nut
32	353111	1	Fan Shaft
33	117600	3	Noise Suppressor Tape (sold in feet)
34	116011	1	3-1/2" x 4" Felt Bearing Seal



Illus. No.	Part No.	Qty.	Description
1	—	1	Tumbler Support (refer to page 28 and page 29)
2	101100	1	18" Pulley (Tumbler)
—	154301	2	5/16-18 x 5/16" Allen (Cone Point) Set Screw
3	100713	1	1/4" x 1/4" x 7/8" Key
4	100106	1	5L-690 V-Belt
5	101206	1	2.8 O.D. x 5/8" I.D. Pulley
6	101129	1	9" x 2-1/2" Compound Pulley
7	—	1	Idler/Shaft Assembly (refer to page 36 and page 37)
8	100171	1	4L-440 Belt
9	154301	2	5/16-18 x 5/16 Allen Cone Point Set Screw
10	101205	1	2.6 O.D. x 5/8" I.D. Pulley
11	100156	1	5L-330 V-Belt
12	101207	1	3.0 O.D. x 5/8" I.D. Pulley
13	—	1	Motor/Mount Assembly (refer to page 34 and page 35)
14	100718	1	3/16" x 3/16" x 2-1/4" Key



Illus. No.	Part No.	Qty.	Description
1	143536	1	6" x 45 Degree Elbow
2	143536	2	6" x 45 Degree Elbow
—	117505	6	Duct Tape (sold in feet)
—	881373	1	6" x 45 Degree Elbow with 6" Damper



Illus. No.	Part No.	Qty.	Description
1	353147	2	Upper and Lower Backguard
2	150301	14	#8-18 x 7/16" Phillips Pan Head TEK Screw
3	112041	1	Caution - Exhausted Label
4	112086	1	Installation Instruction Label
5	103500	4	Leveling Leg (for models mfd. as of May 1996)

Part No.	Description
112183	ADG-530D Installation/Operators Manual
112533	Phase 5 Coin "PROGRAM LOCATION SUMMARY" Label
117505	Aluminum Duct Tape (sold in feet)
120903	Closed End Connector (crimp on wire nut)
121026	Tab Recepticle Combination
121495	4" Wire Tie
121500	7" Wire Tie
122804	Manometer (used to Measure Gas Pressure)
170730	Gray Main Door Glass/Gasket Adhesive (10.7 oz cartridge)
170731	Black Main Door Glass/Gasket Adhesive (10.7 oz cartridge)
404502	White Brush-In-Cap Touch Up Paint (.6 oz bottle)
404506	Beige Brush-In-Cap Touch-Up Paint (.6 oz bottle)
404507	Cornflower Blue Brush-In-Cap Touch Up Paint (.6 oz bottle)
401010	#847 Adhesive (5 oz tube) For Adhering Felt to Tumbler Assembly
410001	1/2" Allen Wrench (used to remove Gas Valve Brass Tail Piece)
880200	Electrical Terminal (Assortment) Kit
881119*	L.P. Conversion Kit (includes parts to convert both top tumbler and bottom tumbler to L.P. Gas)
881299	Loctite Kit (includes 2 [two] .02 oz tubes of #290 Wicking Loctite)

* Consult factory for elevations over 2,000 feet.

ADC450308

1- 11/04/95-100
4* 10/24/96-100
7- 03/16/01-25

2* 02/09/96-100
5* 12/05/96-100

3* 09/27/96-100
6- 09/28/00-25

