



# **AD-26 Parts Manual**

## **24 VAC Phase 5**

### **1992 thru 2001**

---

---

**American Dryer Corporation**  
88 Currant Road  
Fall River, MA 02720-4781  
Telephone: (508) 678-9000 / Fax: (508) 678-9447  
E-mail: [techsupport@amdry.com](mailto:techsupport@amdry.com)  
[www.amdry.com](http://www.amdry.com)

# Retain This Manual In A Safe Place For Future Reference

American Dryer Corporation products embody advanced concepts in engineering, design, and safety. If this product is properly maintained, it will provide many years of safe, efficient, and trouble-free operation.

*ONLY qualified technicians should service this equipment.*

**OBSERVE ALL SAFETY PRECAUTIONS** displayed on the equipment or specified in the installation manual included with the dryer.

The following “**FOR YOUR SAFETY**” caution **must be** posted near the dryer in a prominent location.

**FOR YOUR SAFETY**

Do not store or use gasoline or other flammable vapors and liquids in the vicinity of this or any other appliance.

**POUR VOTRE SÉCURITÉ**

Ne pas entreposer ni utiliser d'essence ni d'autres vapeurs ou liquides inflammables à proximité de cet appareil ou de tout autre appareil.

We have tried to make this manual as complete as possible and hope you will find it useful. **ADC** reserves the right to make changes from time to time, without notice or obligation, in prices, specifications, colors, and material, and to change or discontinue models.

## Important

For your convenience, log the following information:

**DATE OF PURCHASE** \_\_\_\_\_ **MODEL NO.** AD-26

**RESELLER'S NAME** \_\_\_\_\_

**Serial Number(s)** \_\_\_\_\_

\_\_\_\_\_

\_\_\_\_\_

Replacement parts can be obtained from your reseller or the **ADC** factory. When ordering replacement parts from the factory, you can FAX your order to **ADC** at (508) 678-9447 or telephone your order directly to the **ADC** Parts Department at (508) 678-9000. Please specify the dryer **model number** and **serial number** in addition to the **description** and **part number**, so that your order is processed accurately and promptly.

The illustrations on the following pages may not depict your particular dryer exactly. The illustrations are a composite of the various dryer models. Be sure to check the descriptions of the parts thoroughly before ordering.

**“IMPORTANT NOTE TO PURCHASER”**

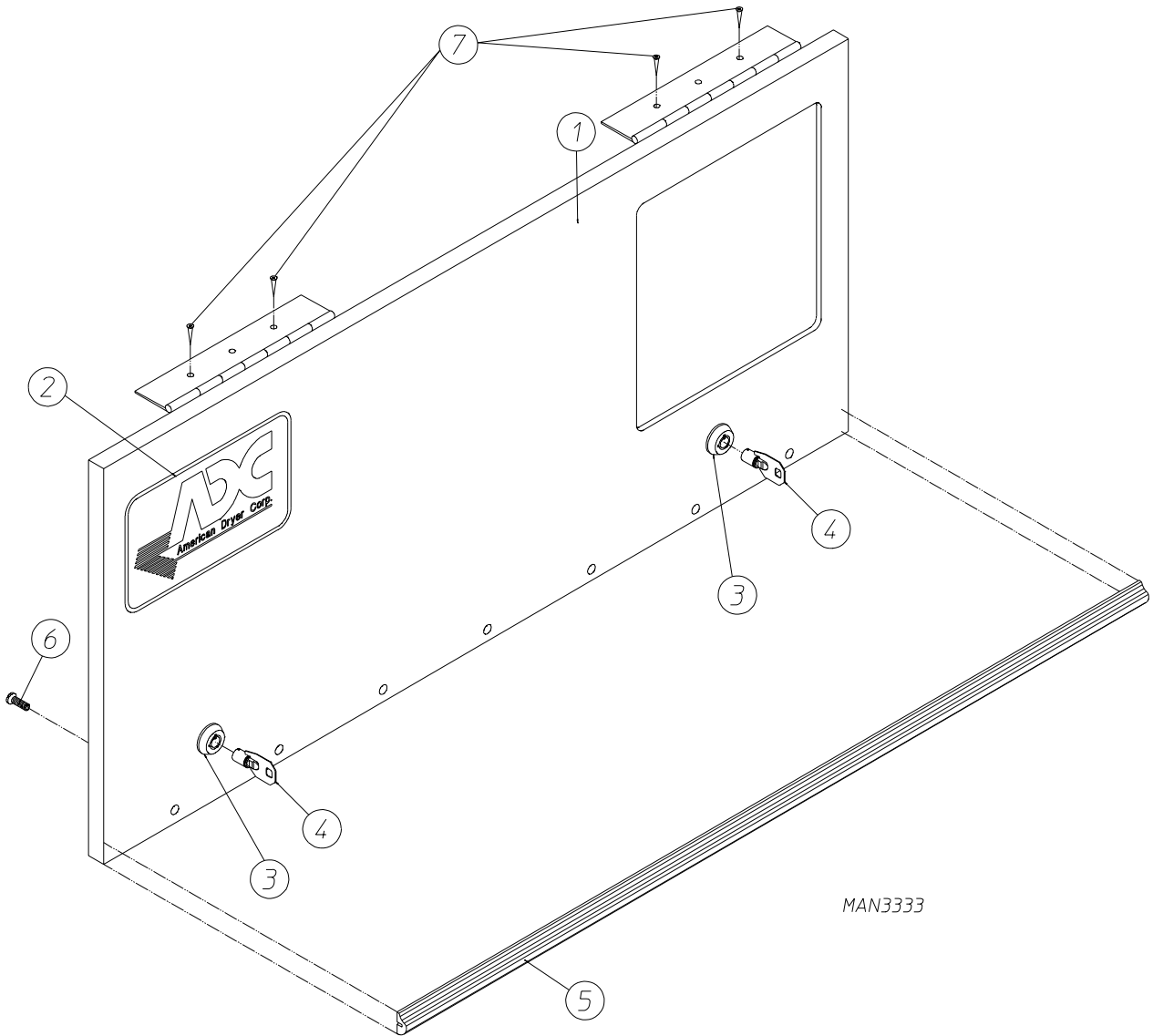
Information **must be** obtained from your local gas supplier on the instructions to be followed if the user smells gas. These instructions **must be** posted in a prominent location near the dryer.

# ***Table of Contents***

Coin Control Door Assembly	
For Models Mfd. as of March 21, 1997 .....	3
OPL Control Door Assembly	
For Models Mfd. as of March 21, 1997 .....	4
Dual Timer Control Door Assembly	
For Models Mfd. as of March 21, 1997 .....	5
Coin Control Door Assembly	
For Models Mfd. prior to March 21, 1997 .....	6
OPL Control Door Assembly	
For Models Mfd. prior to March 21, 1997 .....	7
Dual Timer Control Door Assembly	
For Models Mfd. prior to March 21, 1997 .....	8
Single Coin Microprocessor Control Panel Assembly	
For Models Mfd. as of April 11, 1996 .....	9
Single Coin Microprocessor Control Panel Assembly	
For Single Coin 25¢ Models Only Mfd. prior to April 11, 1996 .....	10
Dual Coin Microprocessor Control Panel Assembly	
For Models Mfd. prior to April 11, 1996 .....	11
OPL Microprocessor Control Panel Assembly	
For Models Mfd. prior to April 11, 1996 .....	12
Microprocessor Control Box Assembly.....	13
25¢ Coin Acceptor Component Listing	
For Models Mfd. prior to April 11, 1996 .....	14, 15
Dual Coin Acceptor Component Listing	
For Export Models Only Mfd. prior to April 11, 1996 .....	16, 17
Dual Timer “Tap Touch” Controls	
For Models Mfd. as of November 3, 2000.....	18

Dual Timer Control Panel Assembly .....	19
Non-Microprocessor Coin Control Panel Assembly .....	20
Non-Microprocessor Control Box Assembly .....	21
Main Door “Steel” Assembly .....	22, 23
Plastic Main Door Assembly .....	24
Cold Rolled Steel (CRS) Door Front Panel .....	25
Main Door Switch Assembly (Cold Rolled Steel [CRS] Door) .....	26
Coin Front Panel Assembly	
For Models with a Plastic Door .....	27
OPL Front Panel Assembly	
For Models with a Plastic Door .....	28
Main Door Switch Assembly	
For Models with a Plastic Door .....	29
Lint Door Assembly .....	30
Lint Basket/Lint Switch Assemblies .....	31
Coin Vault Assembly .....	32
Basket (Tumbler)/Support Assemblies .....	33
Basket (Tumbler) Brush Assembly .....	34
Microprocessor Temperature Sensor Bracket Assembly .....	35
Non-Microprocessor Temperature Sensor Bracket Assembly .....	36
Sail Switch Assembly .....	37
Basket (Tumbler) Bearing Assembly .....	38, 39
Totally Enclosed, Non-Vent (T.E.N.V.) Motor/Idler Assemblies .....	40, 41
Upshot Burner Assembly	
For Models Mfd. as of May 20, 2000 .....	42, 43
Upshot Burner Assembly	
For Models Mfd. prior to May 20, 2000 .....	44, 45
Back Guard Outer Top Assemblies .....	46
12-Rib 120” (J) Poly Belt Arrangement .....	47
Upshot Burner Assembly Specifications .....	48
Additional Parts Available .....	49

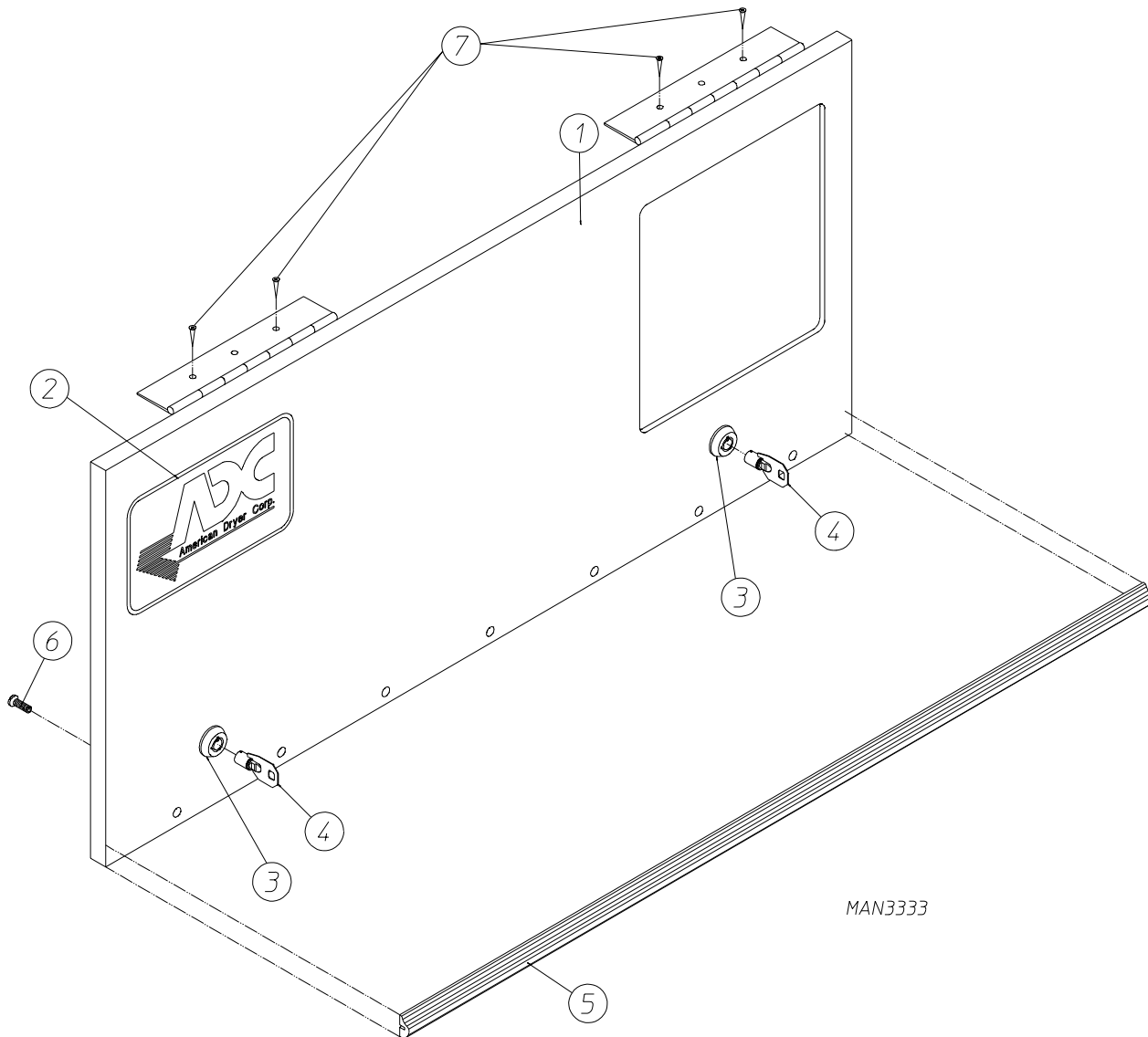
For Models Mfd. as of March 21, 1997



MAN3333

Illus. No.	Part No.	Qty.	Description
1	881585*	1	Coin Control Door with Trim Less Locks (includes illus. nos. 1, 5, and 6)
	881583	1	Stainless Steel Coin Control Door with Trim Less Locks (includes illus. nos. 1, 5, and 6)
2	112350	1	<b>ADC</b> Logo ONLY
	870011	1	Logo Double Stick Tape Kit
3	160040	2	ACE® Lock Assembly ONLY
4	160140	-	ACE® Key ONLY (key number XX4451)
5	180315	1	Lower Control Door Trim
6	150310	5	#8 x 1/2" Phillips Pan Head "A" Screw
7	150300	4	#10-16 x 1/2" Hex Washer TEK Screw

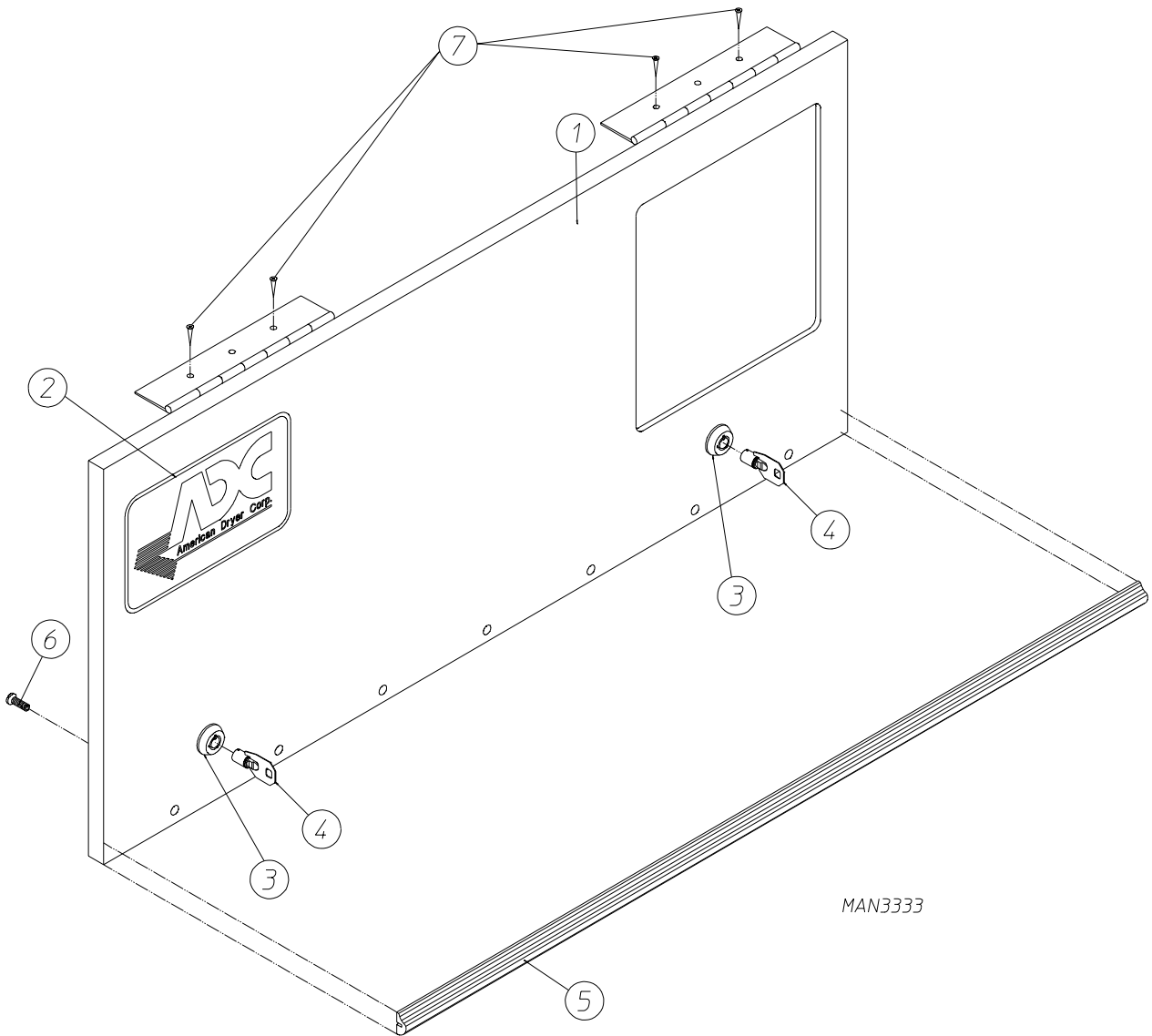
\* Specify color when ordering.



<u>Illus. No.</u>	<u>Part No.</u>	<u>Qty.</u>	<u>Description</u>
1	881586*	1	OPL Control Door with Trim Less Locks (includes illus. nos. 1, 5, and 6)
2	112350	1	<b>ADC</b> Logo ONLY
	870011	1	Logo Double Stick Tape Kit
3	160040	2	ACE® Lock Assembly ONLY
4	160140	-	ACE® Key ONLY (key number XX4451)
5	180315	1	Lower Control Door Trim
6	150310	5	#8 x 1/2" Phillips Pan Head "A" Screw
7	150300	4	#10-16 x 1/2" Hex Washer TEK Screw

\* Specify color when ordering.

For Models Mfd. as of March 21, 1997

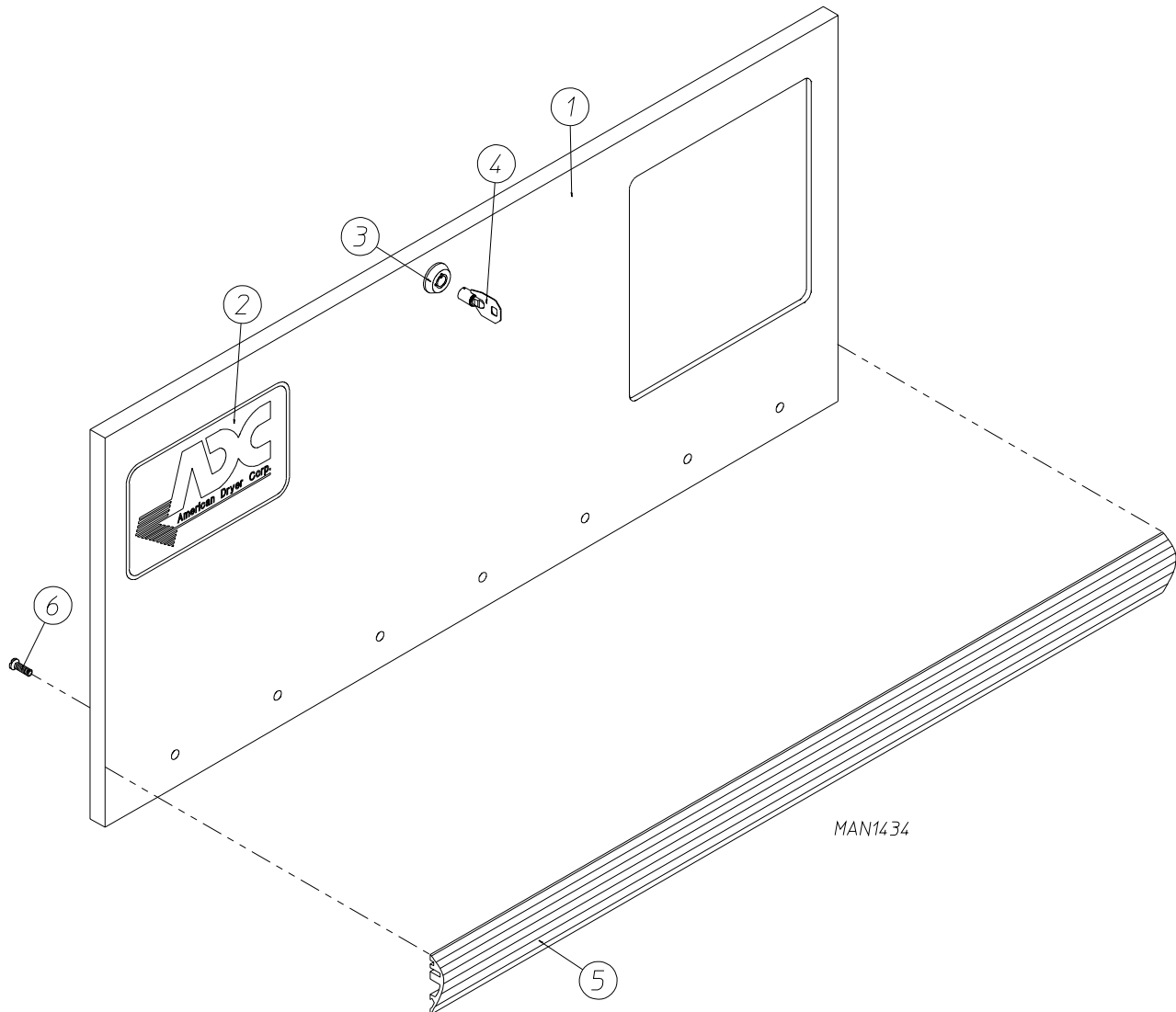


MAN3333

<u>Illus. No.</u>	<u>Part No.</u>	<u>Qty.</u>	<u>Description</u>
1	881596*	1	Coin Control Door with Trim Less Locks (includes illus. nos. 1, 5, and 6)
2	112350	1	<b>ADC</b> Logo ONLY
	870011	1	Logo Double Stick Tape Kit
3	160040	2	ACE® Lock Assembly ONLY
4	160140	-	ACE® Key ONLY (key number XX4451)
5	180315	1	Lower Control Door Trim
6	150310	5	#8 x 1/2" Phillips Pan Head "A" Screw
7	150300	4	#10-16 x 1/2" Hex Washer TEK Screw

\* Specify color when ordering.

For Models Mfd. prior to March 21, 1997

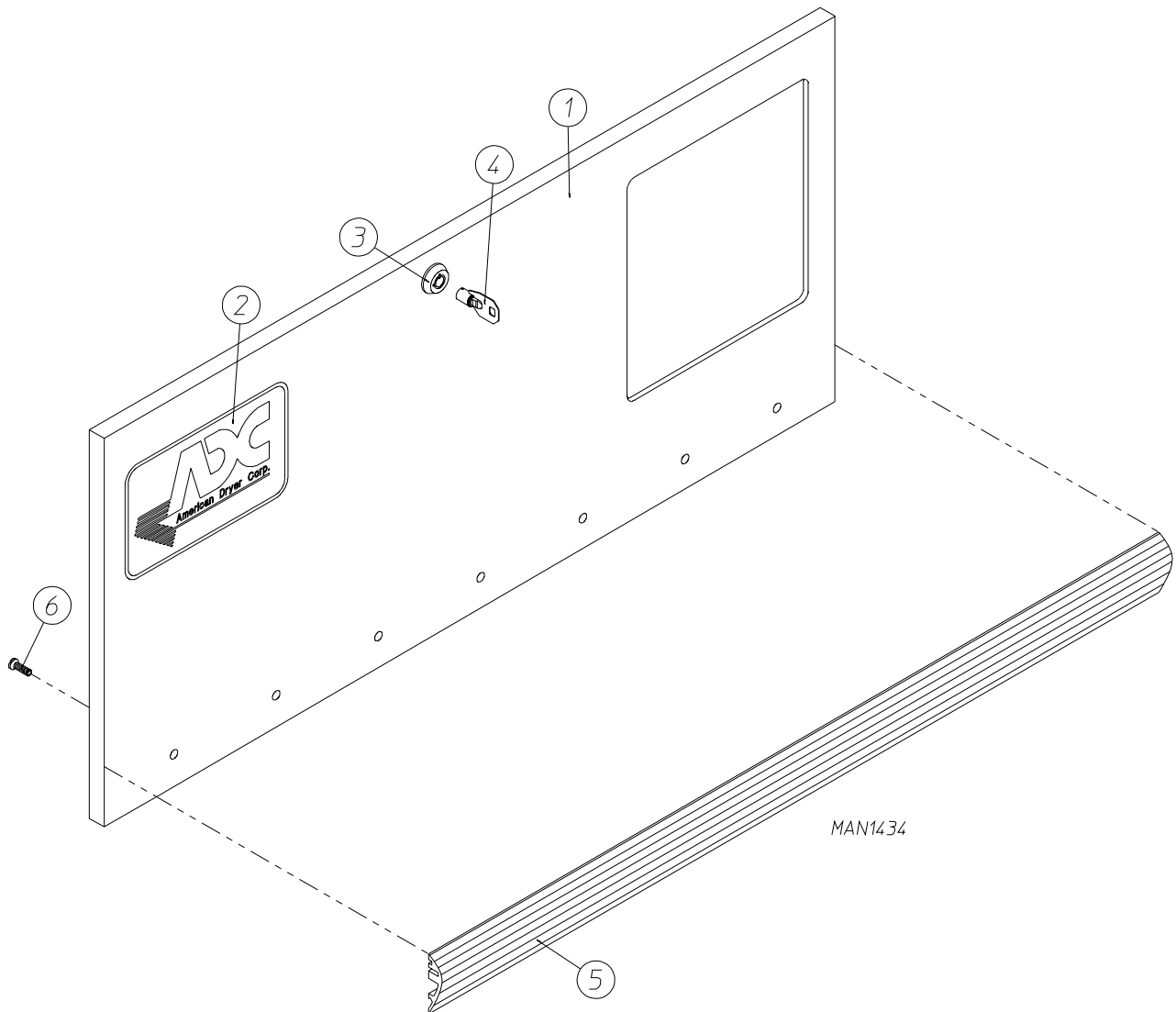


Illus. No.	Part No.	Qty.	Description
1	880236*	1	Coin Control Door with Trim Less Locks (includes illus. nos. 1, 5, and 6)
	850414*	1	Coin Control Door ONLY
2	112350	1	<b>ADC</b> Logo ONLY
	870011	1	Logo Double Stick Tape Kit
3	160040	1	ACE® Lock Assembly ONLY
4	160140	-	ACE® Key ONLY (key number XX4451)
5	180315	1	Lower Control Door Trim
6	150310	5	#8 x 1/2" Phillips Pan Head "A" Screw

\* Specify color when ordering.



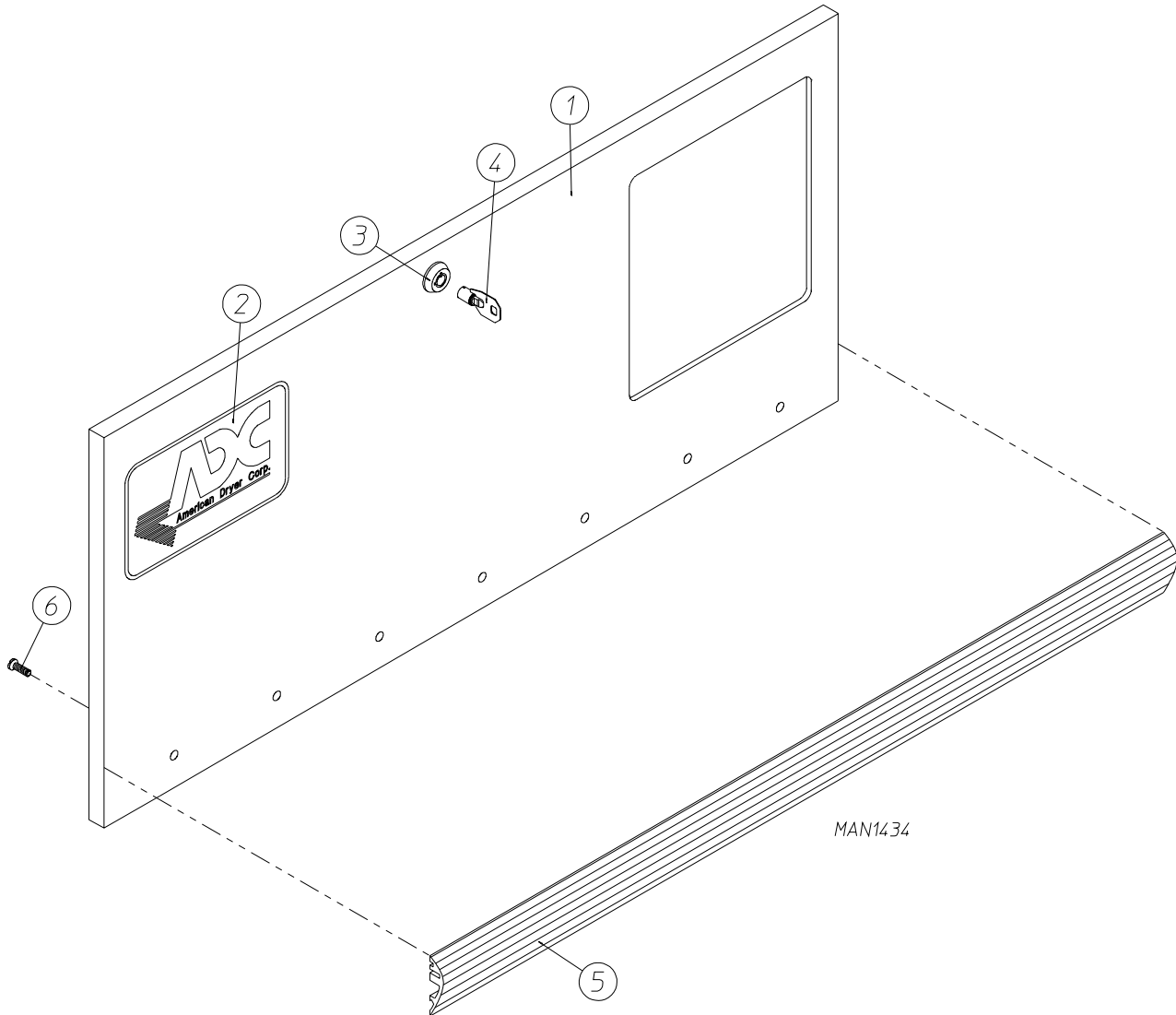
For Models Mfd. prior to March 21, 1997



<u>Illus. No.</u>	<u>Part No.</u>	<u>Qty.</u>	<u>Description</u>
1	880918*	1	OPL Control Door with Trim Less Locks (includes illus. nos. 1, 5, and 6)
	880917*	1	OPL Control Door ONLY
2	112350	1	<b>ADC</b> Logo ONLY
	870011	1	Logo Double Stick Tape Kit
3	160040	1	ACE® Lock Assembly ONLY
4	160140	-	ACE® Key ONLY (key number XX4451)
5	180315	1	Lower Control Door Trim
6	150310	5	#8 x 1/2" Phillips Pan Head "A" Screw

\* Specify color when ordering.

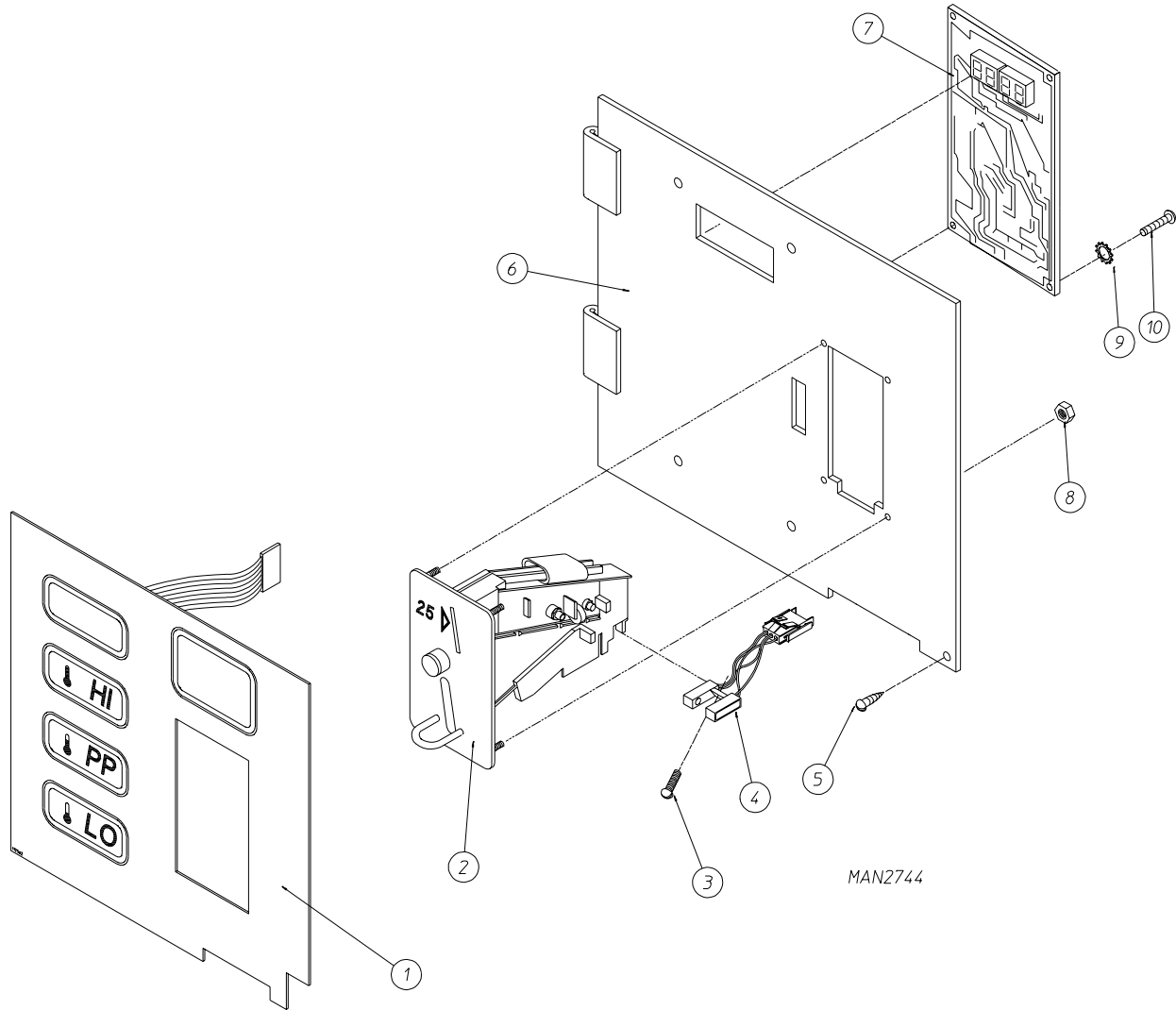
For Models Mfd. prior to March 21, 1997



<u>Illus. No.</u>	<u>Part No.</u>	<u>Qty.</u>	<u>Description</u>
1	880773*	1	Coin Control Door with Trim Less Locks (includes illus. nos. 1, 5, and 6)
	850415*	1	Coin Control Door ONLY
2	112350	1	<b>ADC</b> Logo ONLY
	870011	1	Logo Double Stick Tape Kit
3	160040	1	ACE® Lock Assembly ONLY
4	160140	-	ACE® Key ONLY (key number XX4451)
5	180315	1	Lower Control Door Trim
6	150310	5	#8 x 1/2" Phillips Pan Head "A" Screw

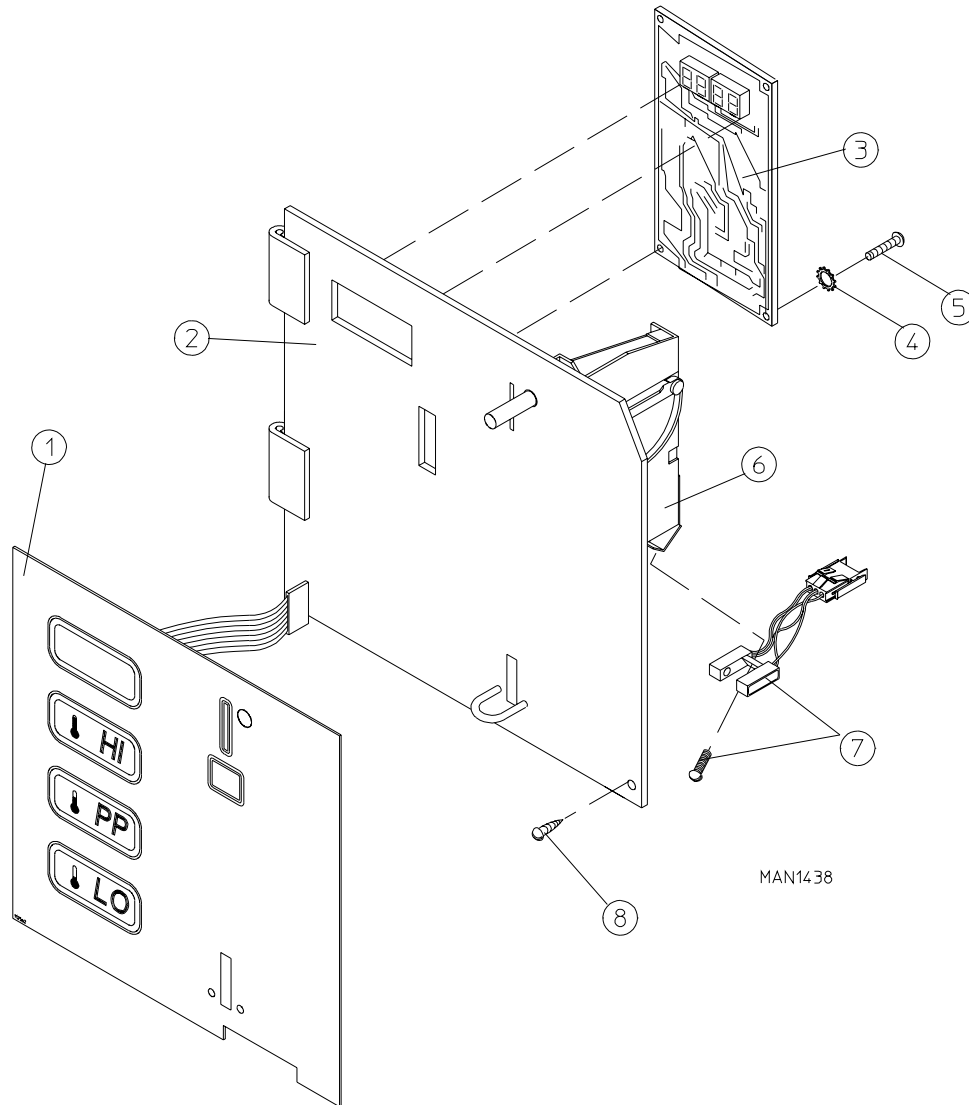
\* Specify color when ordering.

For Models Mfd. as of April 11, 1996



Illus. No.	Part No.	Qty.	Description
1	112568	1	Single Coin Keyboard for Hanke Acceptor
2	881163	1	25¢ Hanke Coin Acceptor with Optic
	881450	1	25¢ Canadian Coin Acceptor with Optic
	881451	1	0.880 Token Hanke Coin Acceptor with Optic
3	150150	1	2.5 mm x 10 mm Stainless Steel Phillips Screw
	881143	1	Hanke Optic Switch
4	881143	1	Hanke Optic Switch
5	150415	1	#10-16 x 1/2" Phillips Screw
6	883353	1	Control Panel Assembly Complete Less Acceptor (includes illus. nos. 1 and 5 through 10)
	883352	1	Control Panel ONLY
7	137216	1	Phase 5 Coin Board
8	152102	4	M-3 Metric Hex Nut
9	153010	2	#6 Star Washer
10	150005	2	#6-32 x 1/4" Phillips Round Head Machine Screw

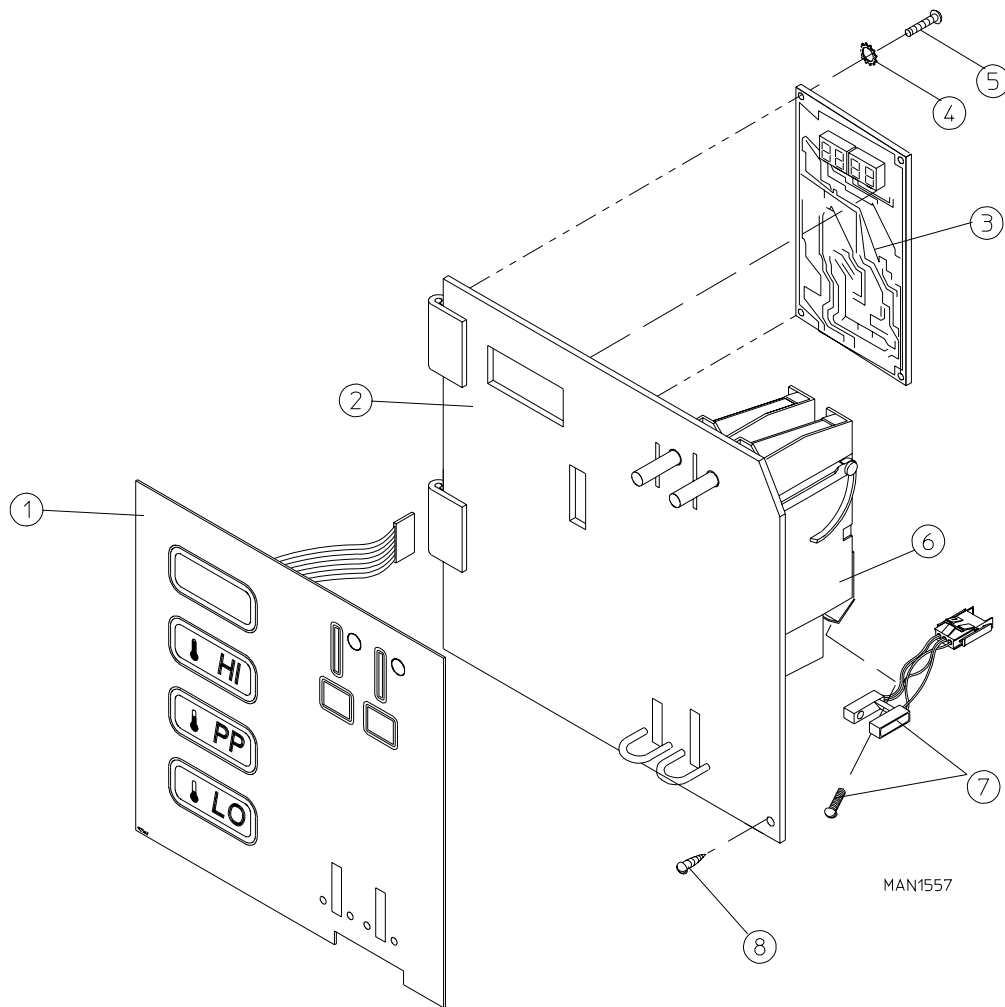
For Single Coin 25¢ Models ONLY Mfd. prior to April 11, 1996



Illus. No.	Part No.	Qty.	Description
1	112560	1	Single Coin Keyboard Label ONLY
2	880887	1	Single Coin Panel Control Less Acceptor - 24 VAC (includes illus. nos. 1 through 5)
	880888	1	Control Panel ONLY
3	137216	1	Phase 5 Microprocessor Controller ONLY
	824998	1	Phase 5 Battery Clip ONLY
4	153010	2	#6 Star Washer
5	150005	2	#6-32 x 1/4" Phillips Round Head Machine Screw
6	-----	1	25¢ Coin Acceptor ONLY (refer to <b>25¢ Coin Acceptor Component Listing</b> on <b>page 14</b> and <b>page 15</b> )
7	137056	1	Optical Switch ONLY
8	150415	1	#10-16 x 1/2" Phillips Round Head Crimp-tite Screw

**NOTE:** Contact factory for export models.

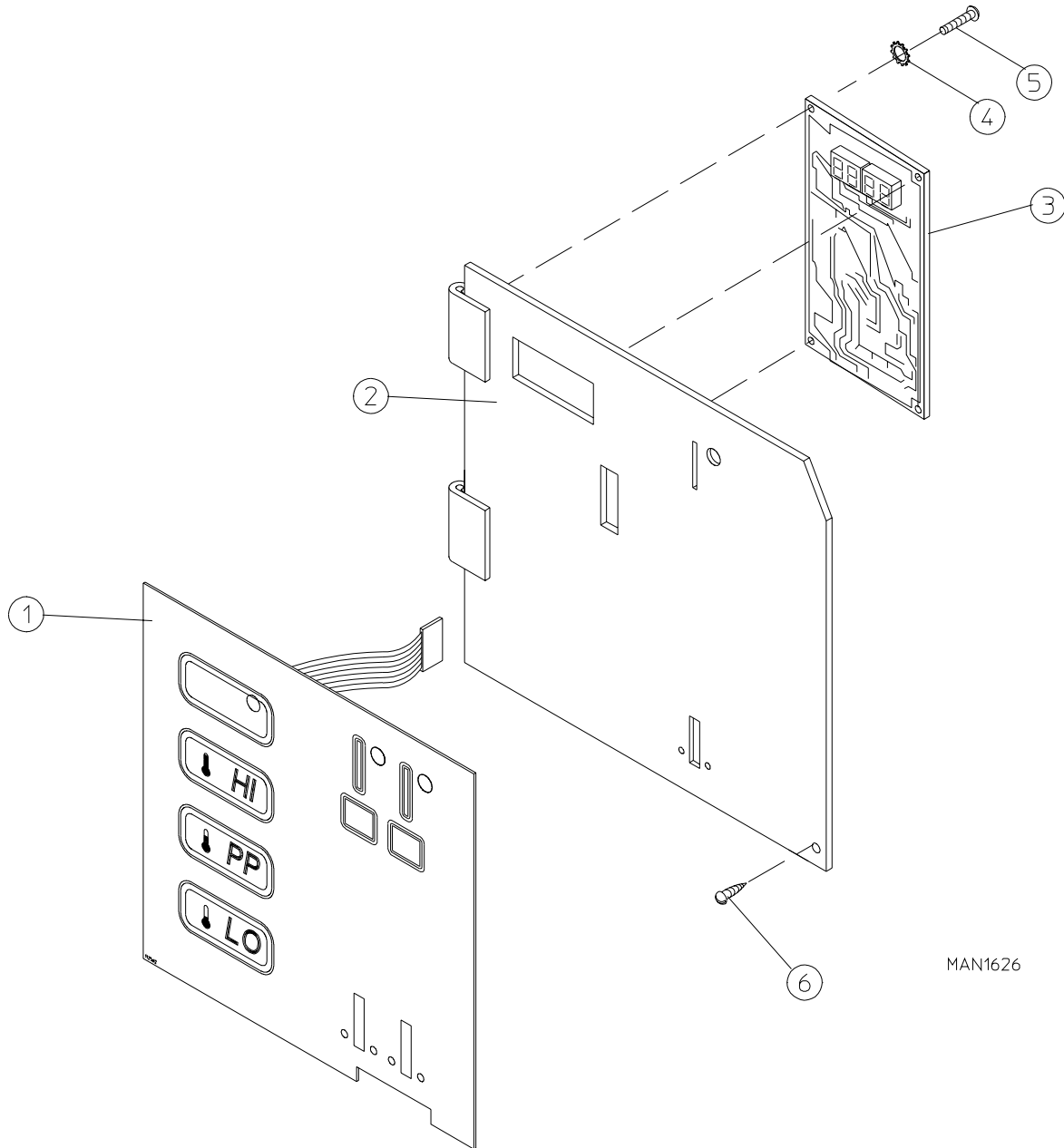
For Models Mfd. prior to April 11, 1996



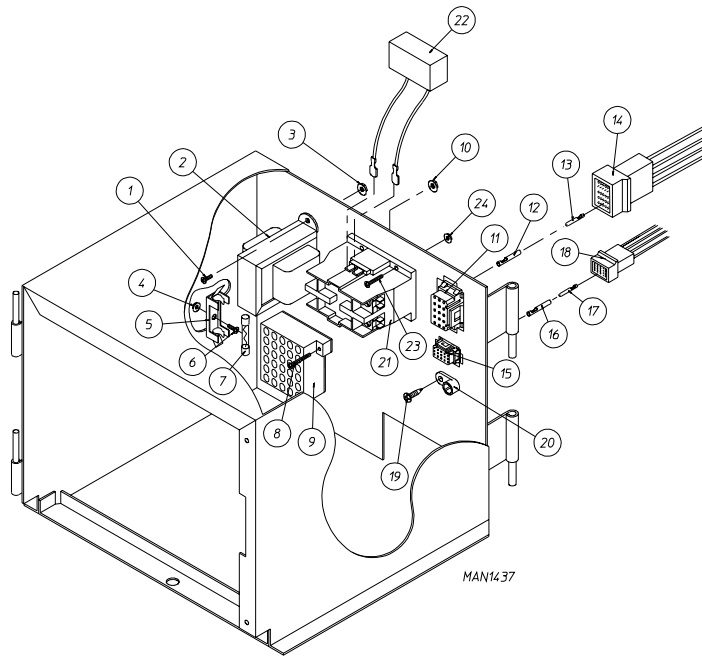
Illus. No.	Part No.	Qty.	Description
1	112560	1	Dual Coin Keyboard Label ONLY
2	880906	1	Dual Coin Panel Control Less Acceptor - 24 VAC (includes illus. nos. 1 through 5)
	880904	1	Dual Coin Control Panel ONLY
3	137216	1	Phase 5 Control Microprocessor ONLY
	824998	1	Phase 5 Battery Clip ONLY
4	153010	2	#6 Star Washer
5	150005	2	#6-32 x 1/4" Phillips Round Head Machine Screw
6	-----	1	Dual Coin Acceptor ONLY (refer to <b>Dual Coin Acceptor Component Listing</b> on <b>pages 16 and page 17</b> )
7	137056	2	Optical Switch ONLY
8	150415	1	#10-16 x 1/2" Phillips Round Head Crimptite Screw

**NOTE:** Contact factory for export models.

For Models Mfd. prior to April 11, 1996



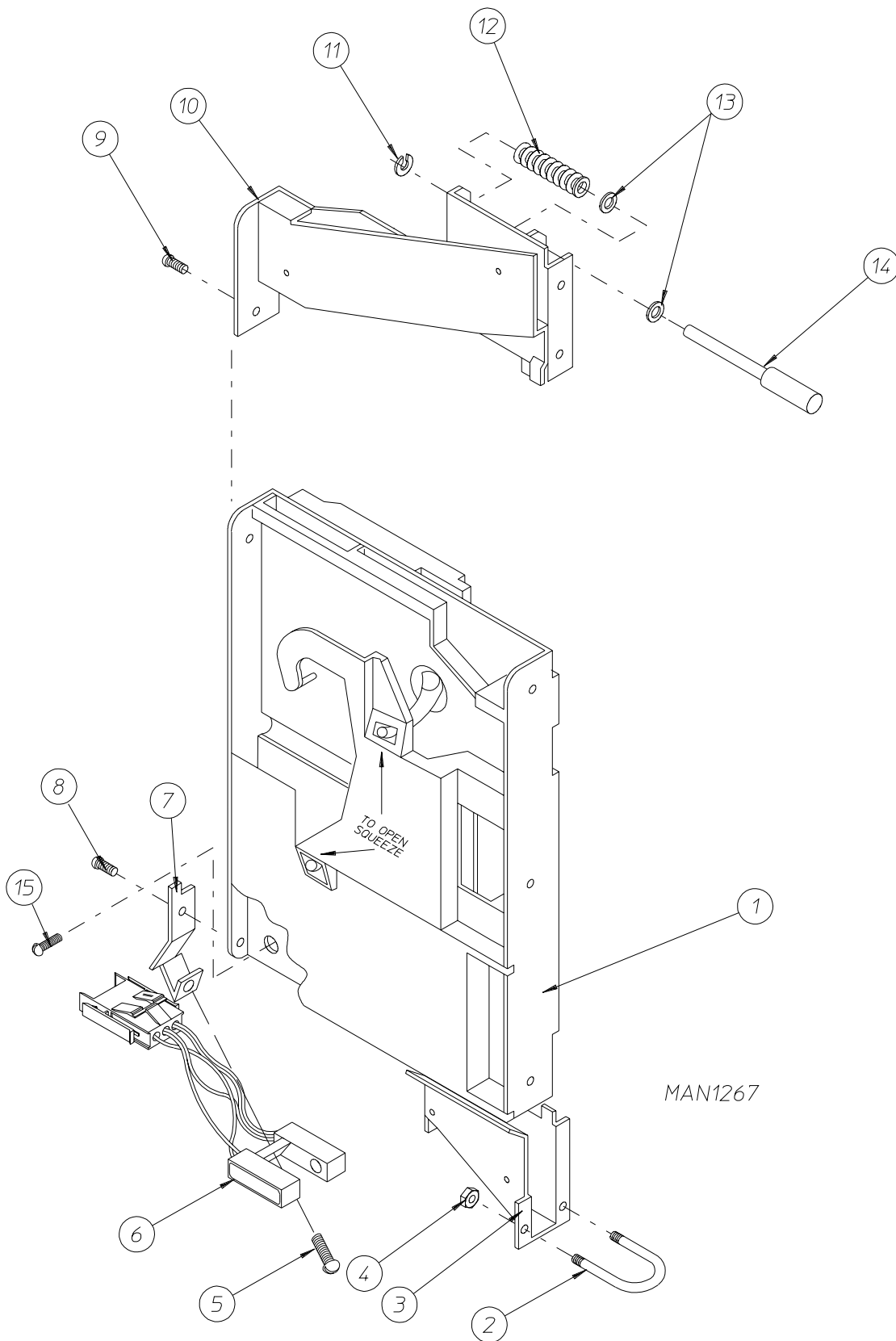
<u>Illus. No.</u>	<u>Part No.</u>	<u>Qty.</u>	<u>Description</u>
1	112560	1	Dual Coin Twin-Keyboard Label ONLY
2	880905	1	OPL Control Panel Assembly Complete - 24 VAC (includes illus. nos. 1 through 5)
	880916	1	OPL Control Panel ONLY
3	137216	1	Phase 5 OPL Computer Board ONLY
	824998	1	Phase 5 Battery Clip ONLY
4	153010	2	#6 Star Washer
5	150005	2	#6-32 x 1/4" Phillips Round Head Machine Screw
6	150415	1	#10-16 x 1/2" Phillips Round Head Crimpite Screw



<u>Illus. No.</u>	<u>Part No.</u>	<u>Qty.</u>	<u>Description</u>
1	150103	2	#8-32 x 3/4" Phillips Round Head Machine Screw
2	141403	1	24 VAC Transformer ONLY
3	151001	2	#8-32 Pal Nut
4	151000	*	#6-32 Pal Nut
5	136008	*	3-Position Fuse Block
6	150002	*	#6-32 x 1" Phillips Round Head Machine Screw
7**	136057	*	1/2-Amp (slo blo) Fuse ONLY
8	150002	2	#6-32 x 1" Phillips Round Head Machine Screw
9	120715	1	30-Position Terminal Block
10	151000	2	#6-32 Pal Nut
11	122626	1	15-Pin Socket Connector ONLY
12	122705	11	Socket Terminal ONLY
13	122704	11	Pin Terminal ONLY
14	122625	1	15-Pin Socket Connector ONLY
	137025	1	6-15 Position Strain Relief...Not Illustrated
15	122631	1	6-Pin Socket Connector ONLY
16	122705	3	Socket Terminal ONLY
17	122704	3	Pin Terminal ONLY
18	122630	1	6-Pin Connector ONLY
	137025	1	6-15 Position Strain Relief...Not Illustrated
19	150415	1	#10-16 x 1/2" Phillips Round Head Crimp Srew
20	121010	1	L-70 Ground Lug
21	132451	1	2-Pole Contactor
22	824828	1	RC Network with Connectors
23	150103	4	#8-32 x 3/4" Phillips Round Head Machine Screw
24	151001	4	#8-32 Pal Nut

\* For 115 VAC application quantity is 1 and for 208/230 VAC application quantity is 2.

\*\* Check fuse rating for verification.

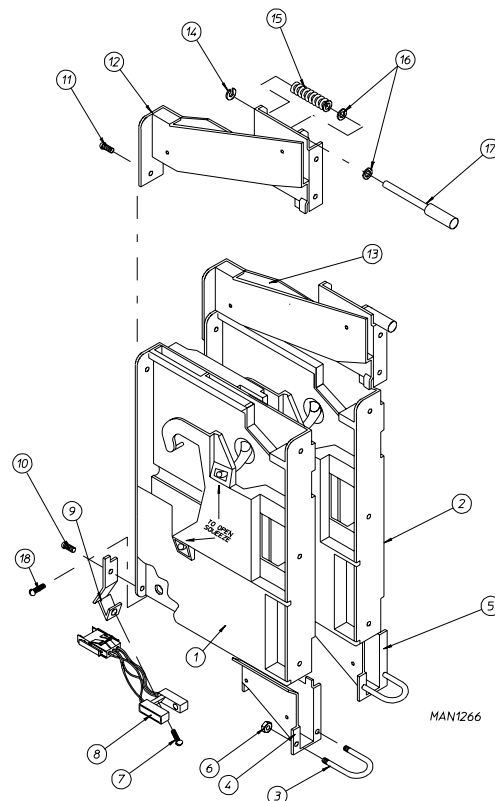




**For Models Mfd. prior to April 11, 1996**

<u>Illus. No.</u>	<u>Part No.</u>	<u>Qty.</u>	<u>Description</u>
1	125707	1	25¢ Coin Acceptor Body ONLY
2	154320	1	#4-40 x 11/16" x 1" U-Bolt ONLY
3	880800	1	25¢ Coin Acceptor Lower Reject with Bracket Kit (includes illus. nos. 3 and 15)
	125720	1	25¢ Coin Acceptor Lower Reject with Bracket ONLY
4	152016	2	#4-40 Hex Nut
5	150020	1	#4-40 x 5/16" Slotted Pan Head Machine Screw
6	137056	1	Optical Switch ONLY
7	137049	1	Optical Switch Mounting Bracket ONLY
8	150020	1	#4-40 x 5/16" Slotted Pan Head Machine Screw
9	150020	1	#4-40 x 5/16" Slotted Pan Head Machine Screw
10	125715	1	25¢ Coin Acceptor Upper Assembly Complete (includes illus. nos. 10 through 14)
11	125706	1	3/16" Coin Acceptor Retaining Ring ONLY
12	125704	1	Coin Acceptor Spring ONLY
13	125705	2	Coin Acceptor Spacer ONLY
14	125703	1	Coin Acceptor Rod ONLY
15	150110	1	#8-32 x 1/4" Binding Head Phillips Machine Screw

For Export Models ONLY Mfd. prior to April 11, 1996

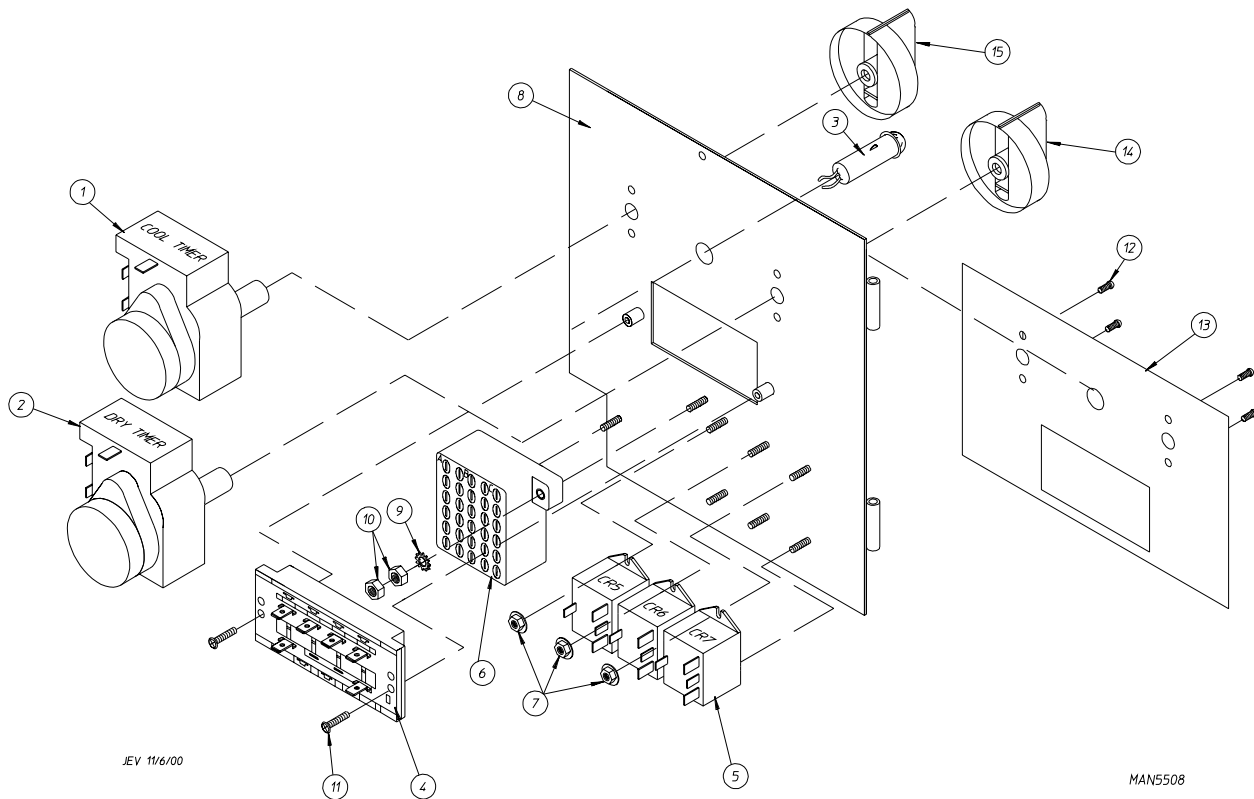


Illus. No.	Part No.	Qty.	Description	
1	125726	1	\$1 Canadian Coin Acceptor Body ONLY	
	125729	1	50 English Pence (50P) Coin Acceptor Body ONLY	
	125730	1	1 English Pound (1£) Coin Acceptor Body ONLY	
	125732	1	20 Belgian Franc (20BF) Coin Acceptor Body ONLY	
	125735	1	5 French Franc (5FF) Coin Acceptor Body ONLY	
	125738	1	10 Danish Krone (10KR) Coin Acceptor Body ONLY	
	125740	1	1 Dutch Guilder (1G) Coin Acceptor Body ONLY	
	2	125725	1	25¢ Canadian Coin Acceptor Body ONLY
125728		1	20 English Pence (20P) Coin Acceptor Body ONLY	
125731		1	5 Belgian Franc (5BF) Coin Acceptor Body ONLY	
125734		1	2 French Franc (2FF) Coin Acceptor Body ONLY	
125737		1	5 Danish Krone (5KR) Coin Acceptor Body ONLY	
125739		2	25¢ Dutch Guilder Coin Acceptor Body ONLY	
3		154320	2	#4-40 x 11/16" x 1" U-Bolt
	4	880801	1	Large Lower Reject with Bracket Kit (includes illus. nos. 4 and 18)
125721		125721	1	\$1 Canadian Coin Acceptor Lower Assembly ONLY
			1	50 English Pence (50P) Coin Acceptor Lower Assembly ONLY
			1	1 English Pound (1£) Coin Acceptor Lower Assembly ONLY
			1	20 Belgian Franc (20BF) Coin Acceptor Lower Assembly ONLY
			1	5 French Franc (5FF) Coin Acceptor Lower Assembly ONLY
			1	10 Danish Krone (10KR) Coin Acceptor Lower Assembly ONLY
		1	1 Dutch Guilder (1G) Coin Acceptor Lower Assembly ONLY	

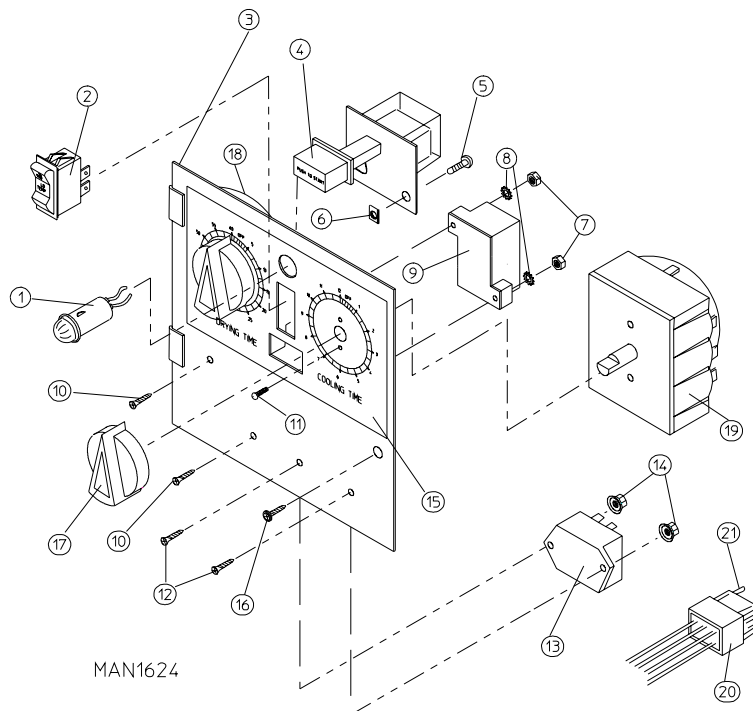
**For Export Models ONLY Mfd. prior to April 11, 1996**

<u>Illus. No.</u>	<u>Part No.</u>	<u>Qty.</u>	<u>Description</u>
5	880800	1	Small Lower Reject with Bracket Kit (includes illus. nos. 5 and 18)
	125720	1	25¢ Canadian Coin Acceptor Lower Assembly ONLY
		1	20 English Pence (20P) Coin Acceptor Lower Assembly ONLY
		1	5 Belgian Franc (5BF) Coin Acceptor Lower Assembly ONLY
		1	25¢ Dutch Guilder Coin Acceptor Lower Assembly ONLY
	880801	1	Large Lower Reject with Bracket Kit (includes illus. nos. 5 and 18)
	125721	1	2 French Franc (2FF) Coin Acceptor Lower Assembly ONLY
		1	5 Danish Krone (5KR) Coin Acceptor Lower Assembly ONLY
6	152016	4	#4-40 Hex Nut
7	150020	2	#4-40 x 5/16" Slotted Pan Head Machine Screw
8	137056	2	Optical Switch ONLY
9	137049	2	Optical Switch Mounting Bracket
10	150020	2	#4-40 x 5/16" Slotted Pan Head Machine Screw
11	150020	2	#4-40 x 5/16" Slotted Pan Head Machine Screw
12	125716	1	\$1 Canadian Coin Acceptor Upper Assembly Complete (includes illus. nos. 12 and 14 through 17)
		1	50 English Pence (50P) Coin Acceptor Upper Assembly Complete (includes illus. nos. 12 and 14 through 17)
		1	1 English Pound (1£) Coin Acceptor Upper Assembly Complete (includes illus. nos. 12 and 14 through 17)
		1	20 Belgian Franc (20BF) Coin Acceptor Upper Assembly Complete (includes illus. nos. 12 and 14 through 17)
		1	5 French Franc (5FF) Coin Acceptor Upper Assembly Complete (includes illus. nos. 12 and 14 through 17)
		1	10 Danish Krone (10KR) Coin Acceptor Upper Assembly Complete (includes illus. nos. 12 and 14 through 17)
		1	1 Dutch Guilder (1G) Coin Acceptor Upper Assembly Complete (includes illus. nos. 12 and 14 through 17)
13	125715	1	25¢ Canadian Coin Acceptor Upper Assembly Complete (includes illus. nos. 13 through 17)
		1	20 English Pence (20P) Coin Acceptor Upper Assembly Complete (includes illus. nos. 13 through 17)
		1	5 Belgian Franc (5BF) Coin Acceptor Upper Assembly Complete (includes illus. nos. 13 through 17)
		1	25¢ Dutch Guilder Coin Acceptor Upper Assembly Complete (includes illus. nos. 13 through 17)
	125716	1	2 French Franc (2FF) Coin Acceptor Upper Assembly Complete (includes illus. nos. 13 through 17)
		1	5 Danish Krone (5KR) Coin Acceptor Upper Assembly Complete (includes illus. nos. 13 through 17)
14	125706	2	3/16" Coin Acceptor Retainer Ring ONLY
15	125704	2	Coin Acceptor Spring ONLY
16	125705	4	Coin Acceptor Spacer ONLY
17	125703	2	Coin Acceptor Rod ONLY
18	150110	2	#8-32 x 1/4" Binding Head Phillips Machine Screw

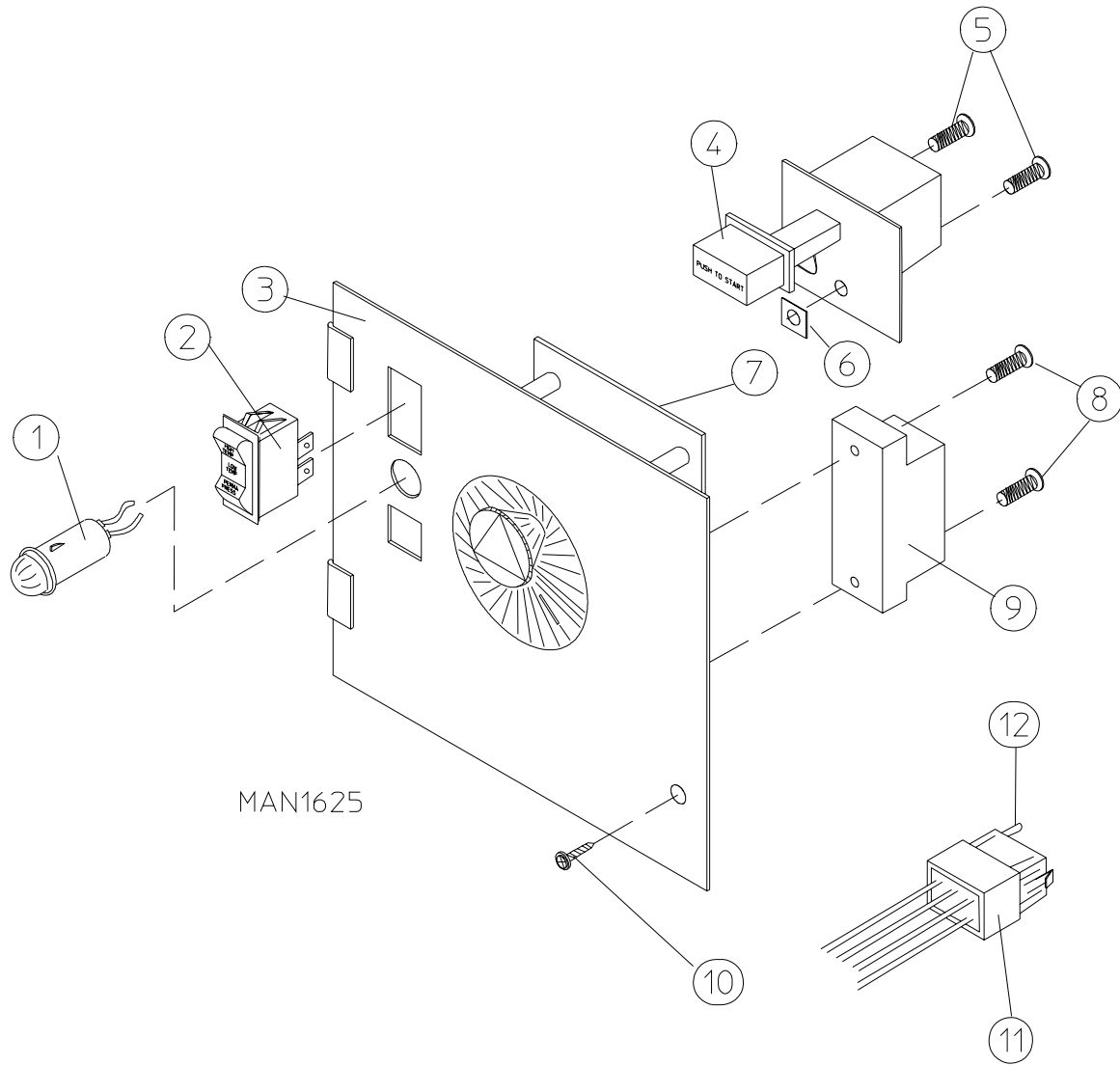
For Models Mfd. as of November 3, 2000



<u>Illus. No.</u>	<u>Part No.</u>	<u>Qty.</u>	<u>Description</u>
1	124030	1	15 Minute Timer - 24 VAC
2	124025	1	60 Minute Timer - 24 VAC
3	824175	1	Red Pilot Light - 24 VAC
4	122301	1	"Tap Touch" Switch
5	131932	3	Relay SPST 24v
6	120730	1	30-Position Terminal Block
7	151000	6	#6-32 Pal Nut
8	882903	1	Dual Timer Panel Complete (includes illus. nos. 1 through 15)
	850392	-	Dual Timer Panel ONLY
9	153010	2	#6 Star Washer
10	152000	3	#6-32 Hex Nut
11	150207	2	#10-24 x 1/2" Phillips Pan Head Machine Screw
12	150110	4	#8-32 x 1/4" Phillips Round Head Machine Screw
13	112563	1	Dual Timer Panel Overlay
14	124104	1	Pure Touch Knob with Red Pointer
15	124105	1	Pure Touch Knob with Blue Pointer

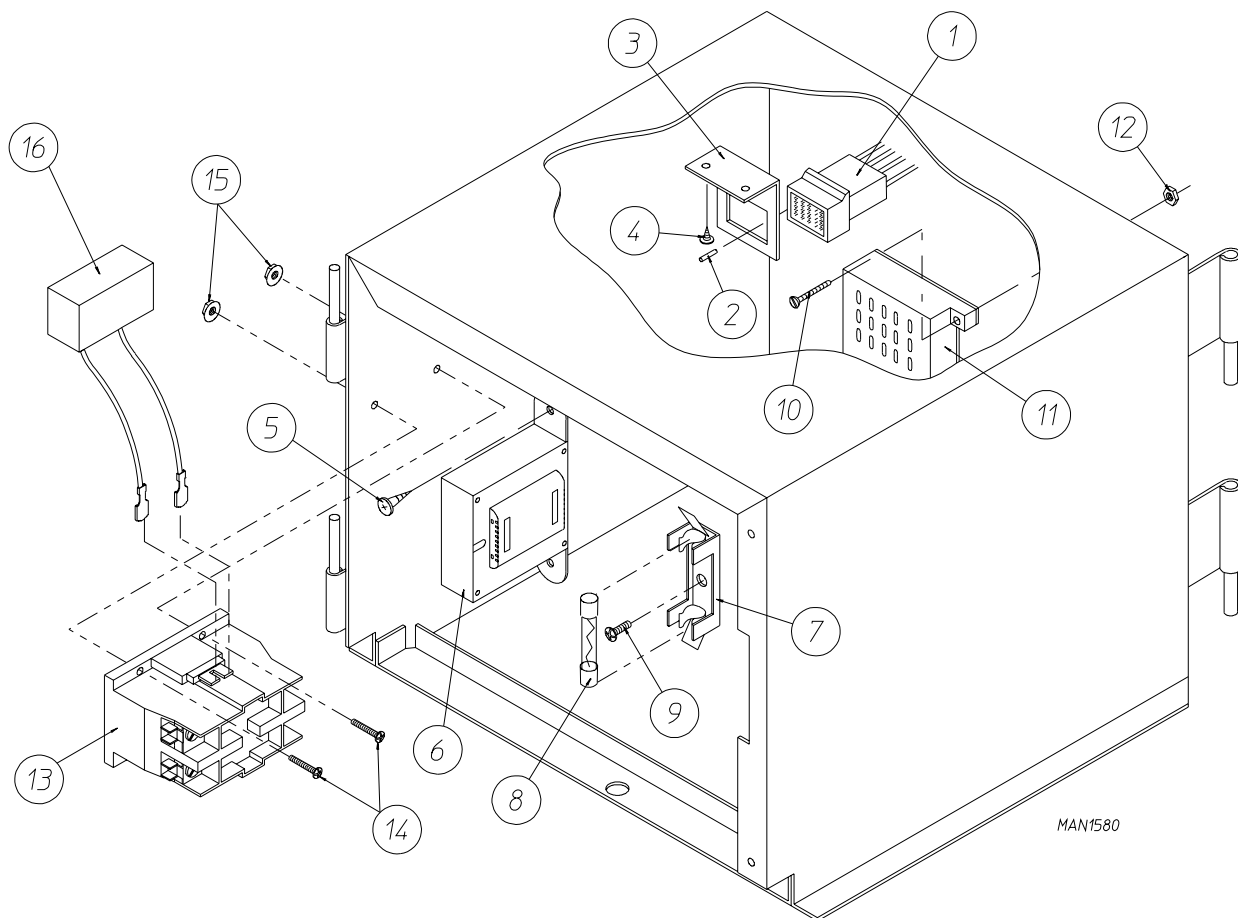


<u>Illus. No.</u>	<u>Part No.</u>	<u>Qty.</u>	<u>Description</u>
1	123005	1	Red Indicator Light - 24 VAC
2	122400	1	Rocker Heat Selector Switch - 24 VAC
3	880774	1	Dual Timer Control Panel Assembly Complete - 24 VAC (includes illus. nos. 1 through 21)
	880920	1	Dual Timer Control Panel ONLY
4	131917	1	Push-To-Start Relay - 24 VAC
5	150207	2	#10-24 x 1/2" Round Head Machine Screw
6	154001	2	#10-24 Speed Nut
7	152000	2	#6-32 Hex Nut
8	153010	2	#6 Star Washer
9	120730	1	30-Position Terminal Block (for models mfd. as of May 2, 1993)
	120713	1	18-Position Terminal Block (for models mfd. prior to May 2, 1993)
10	150002	2	#6-32 x 1" Round Head Machine Screw
11	150110	4	#8-32 x 1/4" Phillips Head Machine Screw
12	150001	2	#6-32 x 1/2" Round Head Machine Screw
13	131931	1	Dual Timer Relay - 24 VAC
14	151000	2	#6-32 Pal Nut
15	112050	1	Dual Timer Label ONLY
16	150415	1	#10-16 x 1/2" Phillips Round Head Crimptite Screw
17	124103	2	Arrow Timer Knob
18	124025	1	60-Minute Timer - 24 VAC
19	124030	1	15-Minute Timer - 24 VAC
20	122602	1	9-Pin Connector ONLY
21	122700	8	Pin Terminal ONLY
---	122801	1	Pin/Socket Extraction Tool



<u>Illus. No.</u>	<u>Part No.</u>	<u>Qty.</u>	<u>Description</u>
1	123005	1	Red Indicator Light - 24 VAC
2	122400	1	Rocket Heat Selector Switch - 24 VAC
3	880900	1	Coin Meter Control Panel Assembly Complete Less Meter - 24 VAC (includes illus. nos. 1 through 6 and 8 through 12)
	880899	1	Coin Meter Control Panel ONLY
4	131917	1	Push-To-Start Relay - 24 VAC
5	150207	2	#10-24 x 1/2" Phillips Round Head Machine Screw
6	154001	2	#10-24 Speed Nut
7*	125601	1	25¢ Coin Meter (Specify Timing) - 24 VAC
8	150303	2	#4 x 3/4" Pan Head "A" Screw
9	120712	1	12-Position Terminal Block
10	150415	1	#10-16 x 1/2" Phillips Round Head Crimpite Screw
11	122602	1	9-Pin Male Connector ONLY
12	122700	6	Pin Terminal ONLY
---	122801	1	Pin/Socket Extraction Tool

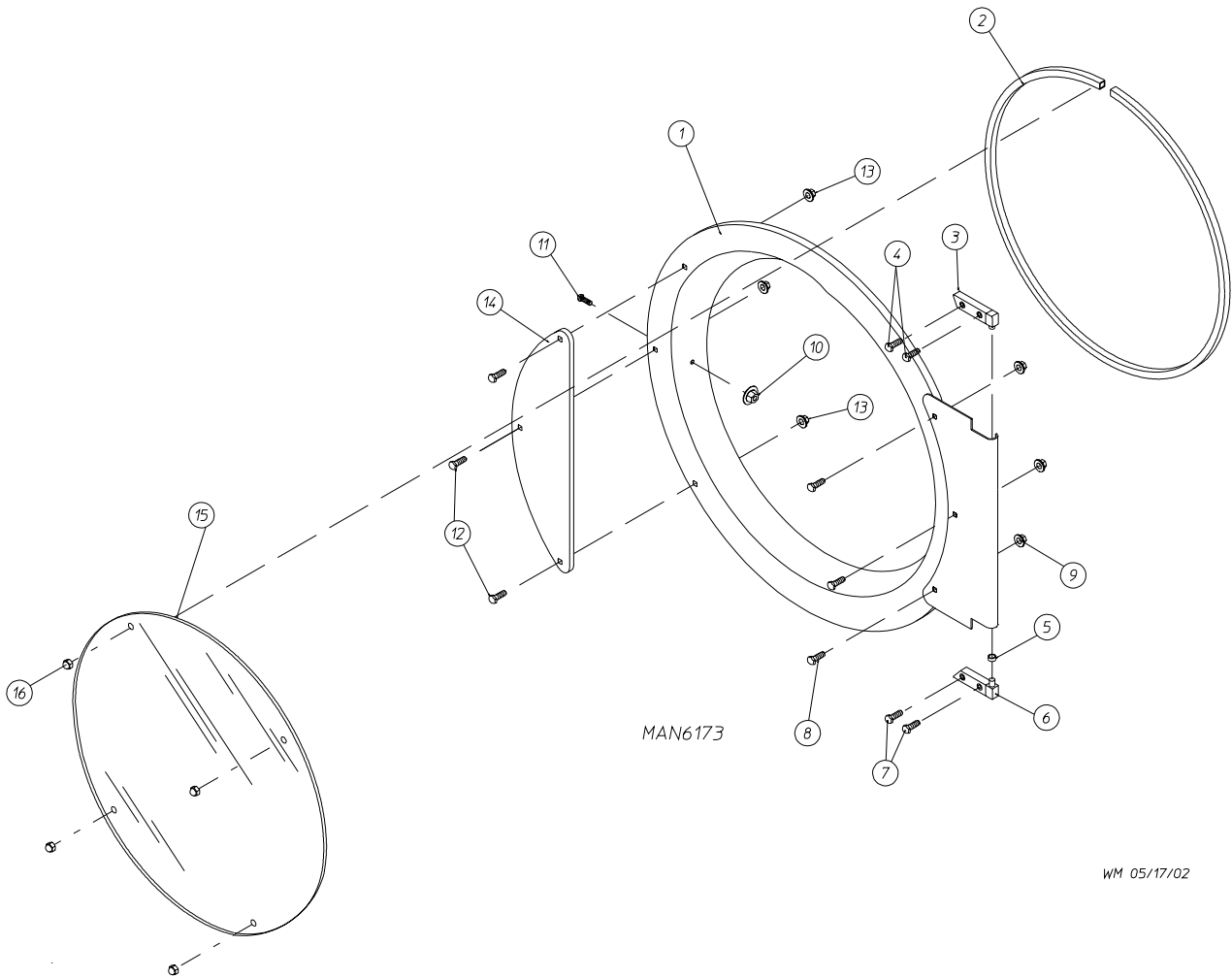
\* Consult factory for coin meters not listed.



<u>Illus. No.</u>	<u>Part No.</u>	<u>Qty.</u>	<u>Description</u>
1	122603	1	9-Pin Socket Female Connector
2	122701	6	Socket Terminal ONLY
	122801	1	Pin/Socket Extraction Tool
3	315010	1	9-Pin Connector Bracket
4	150300	2	#10-16 x 1/2" Hex Washer TEK Screw
5	150300	2	#10-16 x 1/2" Hex Washer TEK Screw
6	141403	1	24 VAC Transformer
7	136008	*	Fuse Block/Strip ONLY
8**	136057	*	1/2-Amp (slo blo) Fuse
9	150301	*	#8-18 x 7/16" Phillips Pan Head TEK Screw
10	150002	2	#6-32 x 1" Slotted Round Head Machine Screw
11	120715	1	30-Position Terminal Block
12	151000	2	#6-32 Pal Nut
13	132451	1	Motor Contactor
14	150103	4	#8-32 x 3/4" Phillips Round Head Machine Screw
15	151001	4	#8-32 Pal Nut
16	824828	1	Filter Capacitor

\* For 115 VAC application quantity is 1 and for 208/230 VAC application quantity is 2.

\*\* Check fuse rating for verification.

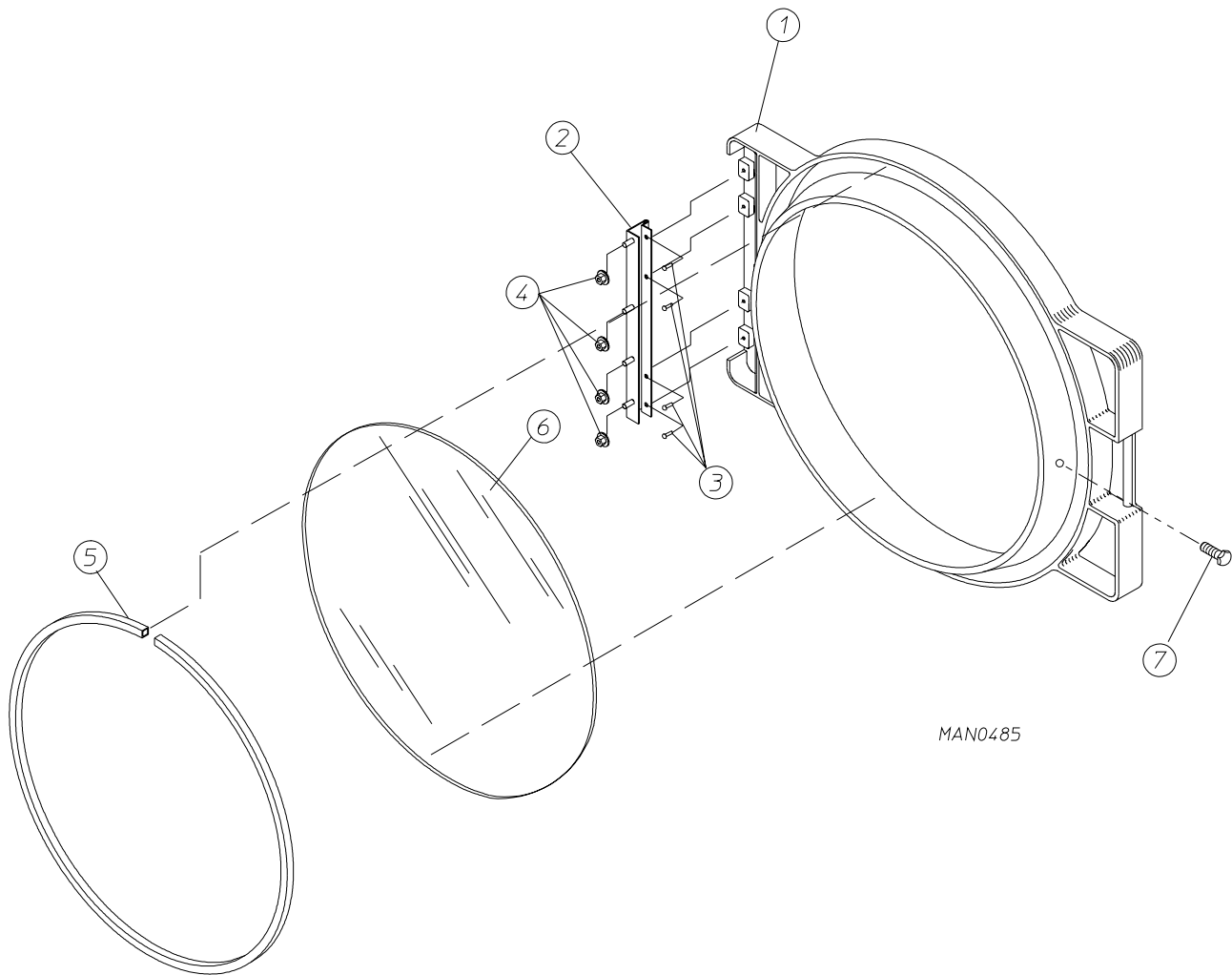


MAN6173

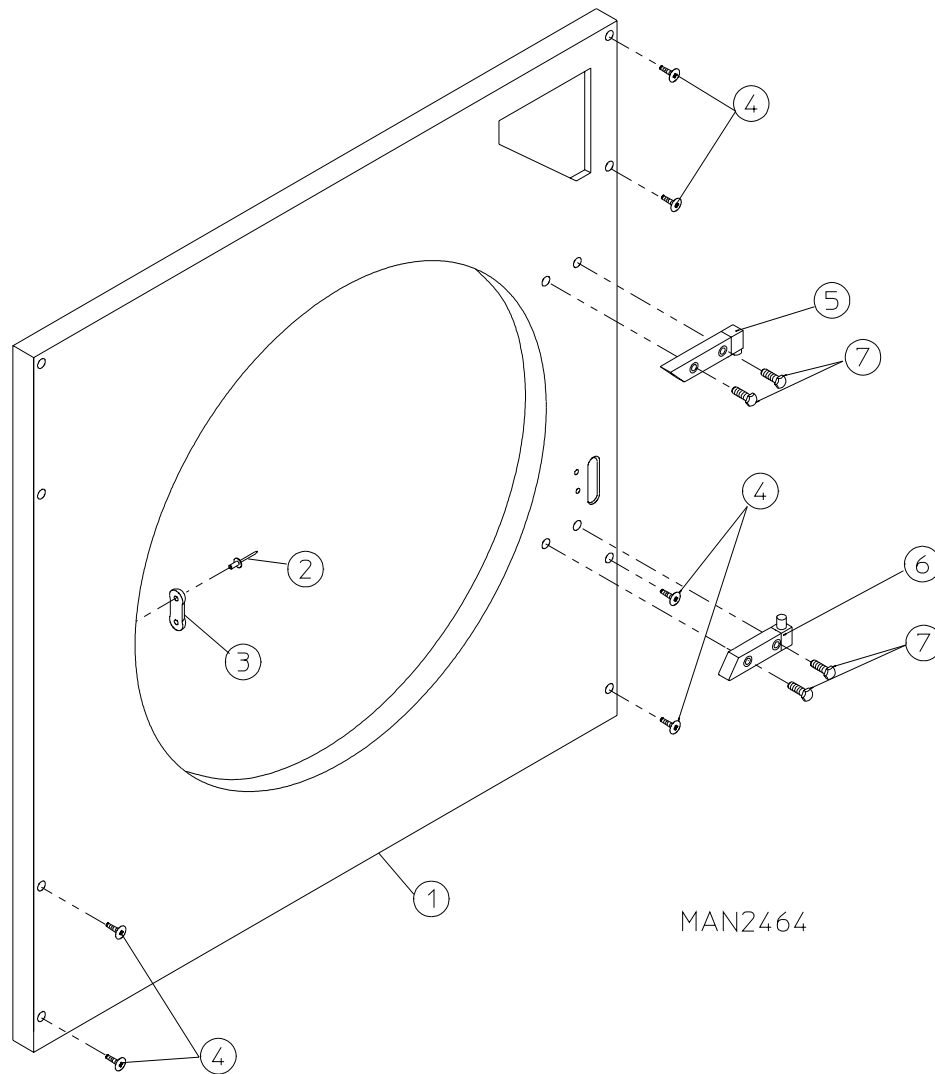
WM 05/17/02



<u>Illus. No.</u>	<u>Part No.</u>	<u>Qty.</u>	<u>Description</u>
1	881150	1	Black Main Door Assembly Complete (includes illus. nos. 1, 2, and 8 through 15)
2	102354	1	Door Gasket
	170730	1	Clear Glass Adhesive (10.3 oz. cartridge)
	170731	1	Black Glass Adhesive (10.3 oz. cartridge)
3	881152	1	Black Top Hinge Block Assembly (includes illus. nos. 3 and 4)
4	150445	2	1/4-20 x 3/4" Black Cap Head Setscrew
5	153031	1	1/4" Nylon Washer
6	881151	1	Black Bottom Hinge Block Assembly (includes illus. nos. 5, 6, and 7)
7	150445	2	1/4-20 x 3/4" Black Cap Head Setscrew
	150443	2	1/4-20 x 3/4" Stainless Steel Cap Head Setscrew
8	150683	3	1/4-20 x 5/8" Black Carriage Bolt
9	152014	3	1/4-20 Free Spin Wash Nut
10	151010	1	#10-32 Black Hex Acorn Nut
11	150120	1	Door Latch Screw
12	150683	3	1/4-20 x 5/8" Black Carriage Bolt
13	152014	3	1/4-20 Free Spin Wash Nut
14	881210	1	Black Main Door Handle ONLY
15	102218	1	20-7/16" Door Glass with Notch and Four (4) Holes (for models mfd. between February 12, 2001 and March 13, 2001)
	102211	1	20-7/16" Door Glass (for models mfd. prior to February 12, 2001 and as of March 13, 2001)
	170731	1	Black Glass Adhesive (10.3 oz. cartridge)
16	151013	4	#10-32 Black Nylon Acorn Nut (for models mfd. between February 12, 2001 and March 13, 2001)

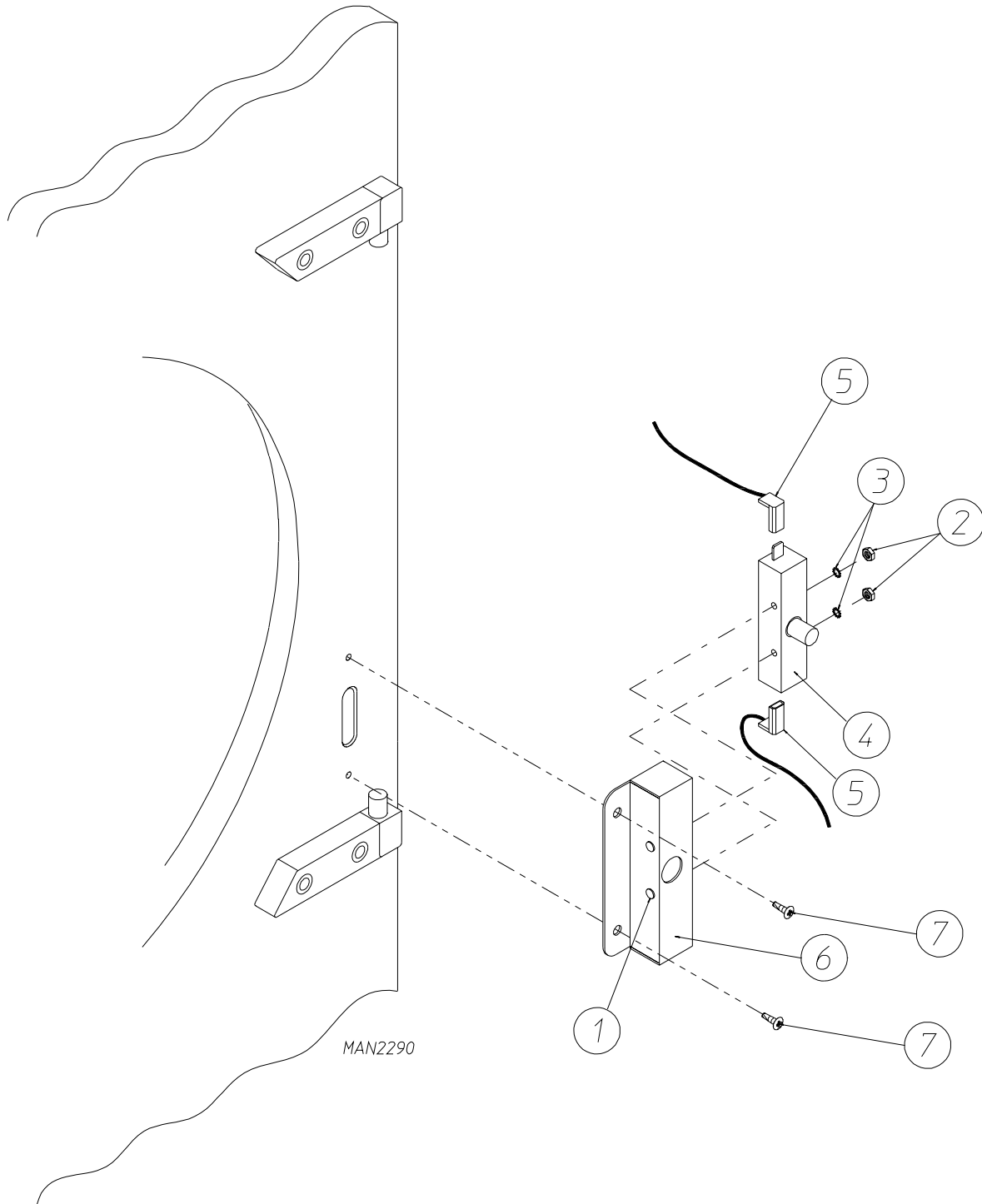


<u>Illus. No.</u>	<u>Part No.</u>	<u>Qty.</u>	<u>Description</u>
1	800286	1	Black Main Door Assembly Complete (includes illus. nos. 1 and 5 through 7)
2	800448	1	12-1/2" Stainless Steel Main Door Hinge
3	150410	4	#10-24 x 3/8" Phillips Pan Head Taptite Screw
4	152014	4	1/4-20 Free Spin Wash Nut
5	102353	1	Main Door Gasket ONLY
6	102210	1	20-7/16" Door Glass ONLY
	170730	1	Adhesive for Door Glass and Gasket (10.3 oz. cartridge)
7	150431	1	Main Door Latch Screw (#10 x 7/16" dome head screw)



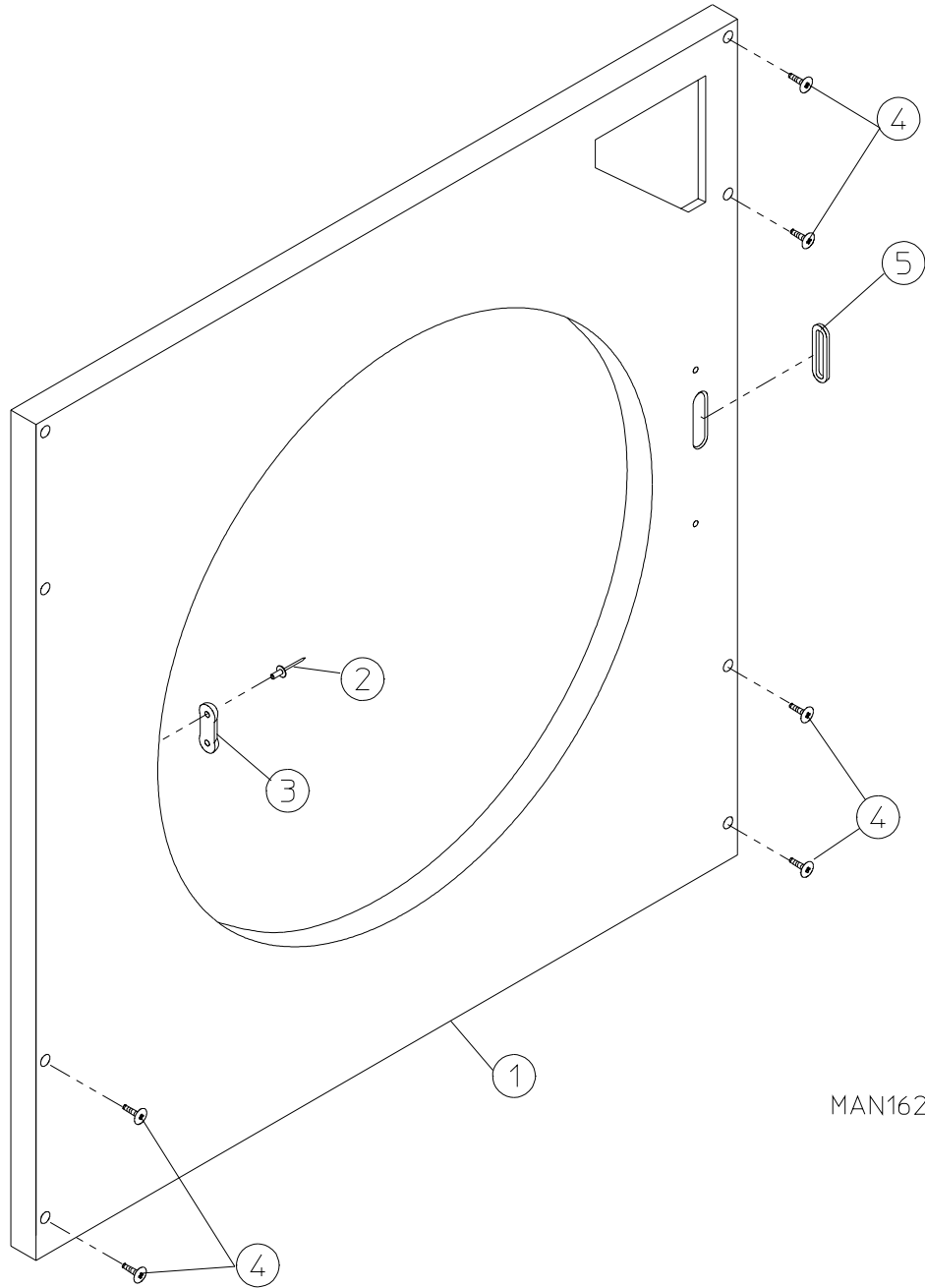
Illus. No.	Part No.	Qty.	Description
1	881275*	1	Front Panel Assembly (cold rolled steel [CRS] door) (includes illus. nos. 1 through 3)
	881276*	1	OPL Front Panel Assembly (cold rolled steel [CRS] door) (includes illus. nos. 1 through 3)
	881279	1	Stainless Steel Front Panel Assembly (cold rolled steel [CRS] door) (includes illus. nos. 1 through 3)
	881274	1	OPL Stainless Steel Front Panel Assembly (cold rolled steel [CRS] door) (includes illus. nos. 1 through 3)
2	154215	2	1/8" Pop Rivet
3	170330	1	Friction Door Latch
4	150309	8	#10-16 x 1/2" Phillips Round Head Crimptite Screw
5	881152	1	Black Top Hinge Block Assembly
	881208	1	Stainless Steel Top Hinge Block Assembly
6	881151	1	Black Bottom Hinge Block Assembly
	881209	1	Stainless Steel Bottom Hinge Block Assembly
7	150445	4	1/4-20 x 7/8" Black Cap Head Setscrew
	150443	4	1/4-20 x 7/8" Stainless Steel Cap Head Setscrew

\* Specify color when ordering.



<u>Illus. No.</u>	<u>Part No.</u>	<u>Qty.</u>	<u>Description</u>
1	153566	2	#6-32 x 7/8" Clinch Stud
2	152013	2	#6-32 Hex Nut
3	153010	2	#6 Star Washer
4	137005	1	Door Switch
5	122636	2	Flag Terminal
6	881211	1	Main Door Switch Housing
7	150301	2	#8-18 x 7/16" Phillips Pan Head TEK Screw

For Models with a Plastic Door

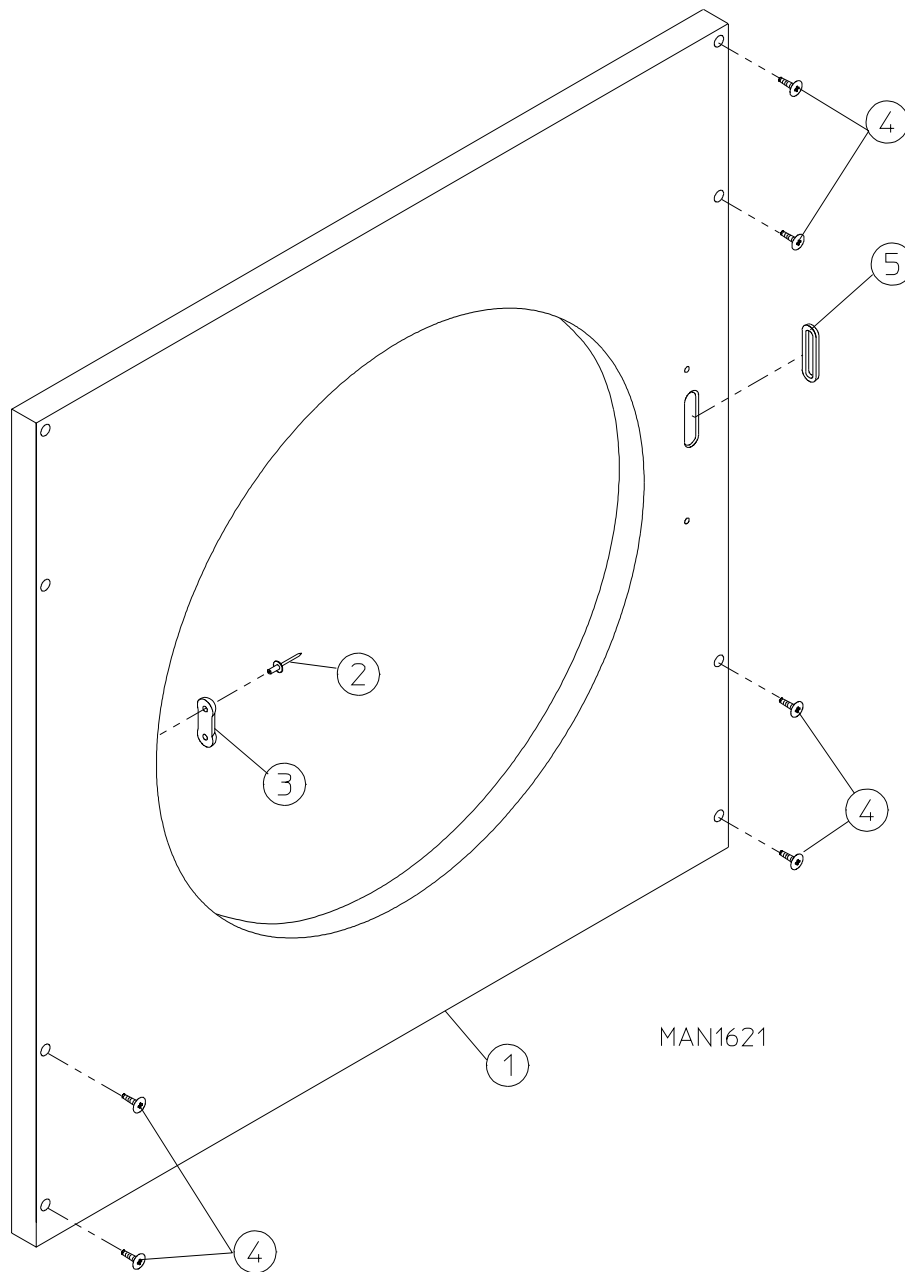


MAN1627

<u>Illus. No.</u>	<u>Part No.</u>	<u>Qty.</u>	<u>Description</u>
1*	880908	1	Front Panel Assembly Complete (includes illus. nos. 1, 2, 3, and 5)
2	154215	2	5/32 x 1/4" Pop Rivet
3	881987	1	Friction Door Latch Kit (includes illus. nos. 2 and 3)
4	150309	8	#10-16 x 1/2" Hex Head Crimp-tite Screw
5	121405	1	Rubber Grommet

\* Specify color when ordering.

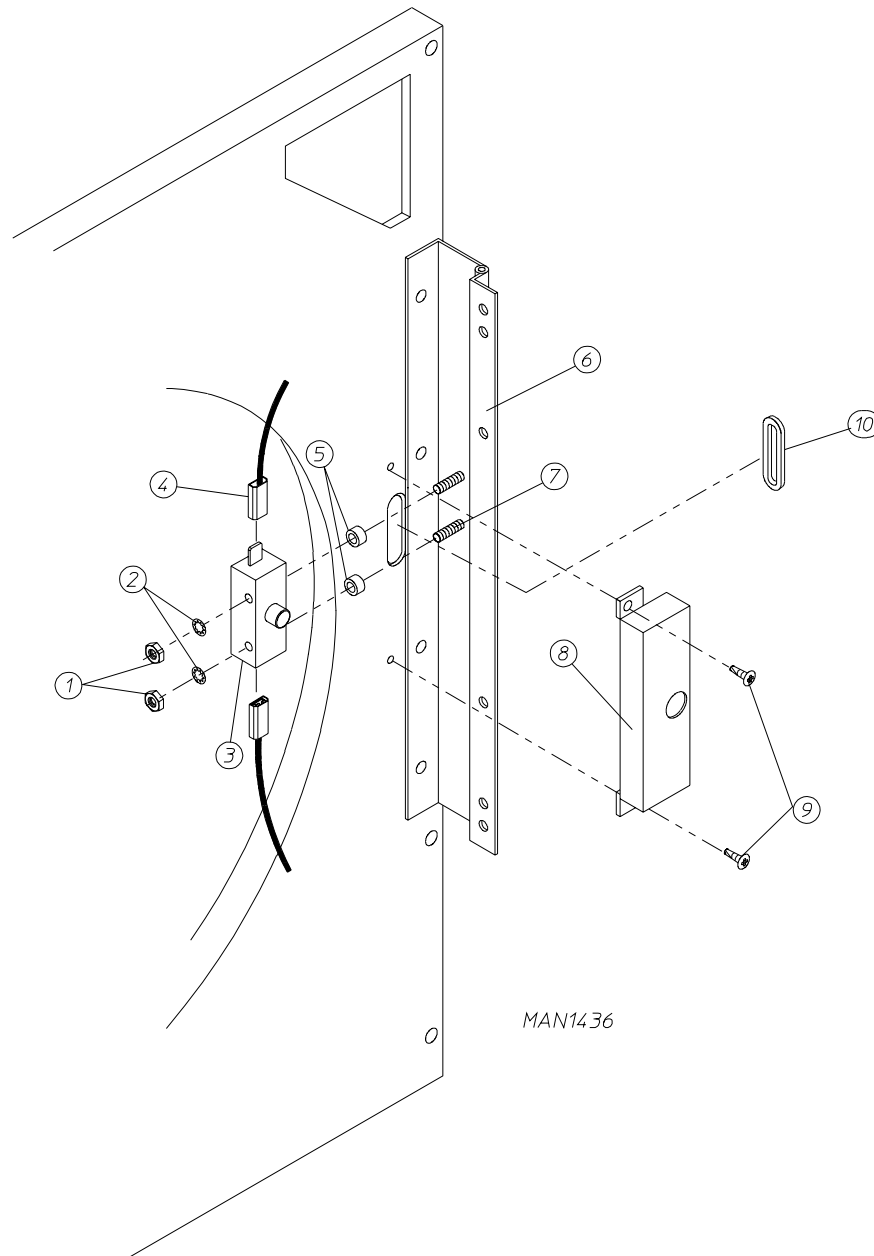
For Models with a Plastic Door



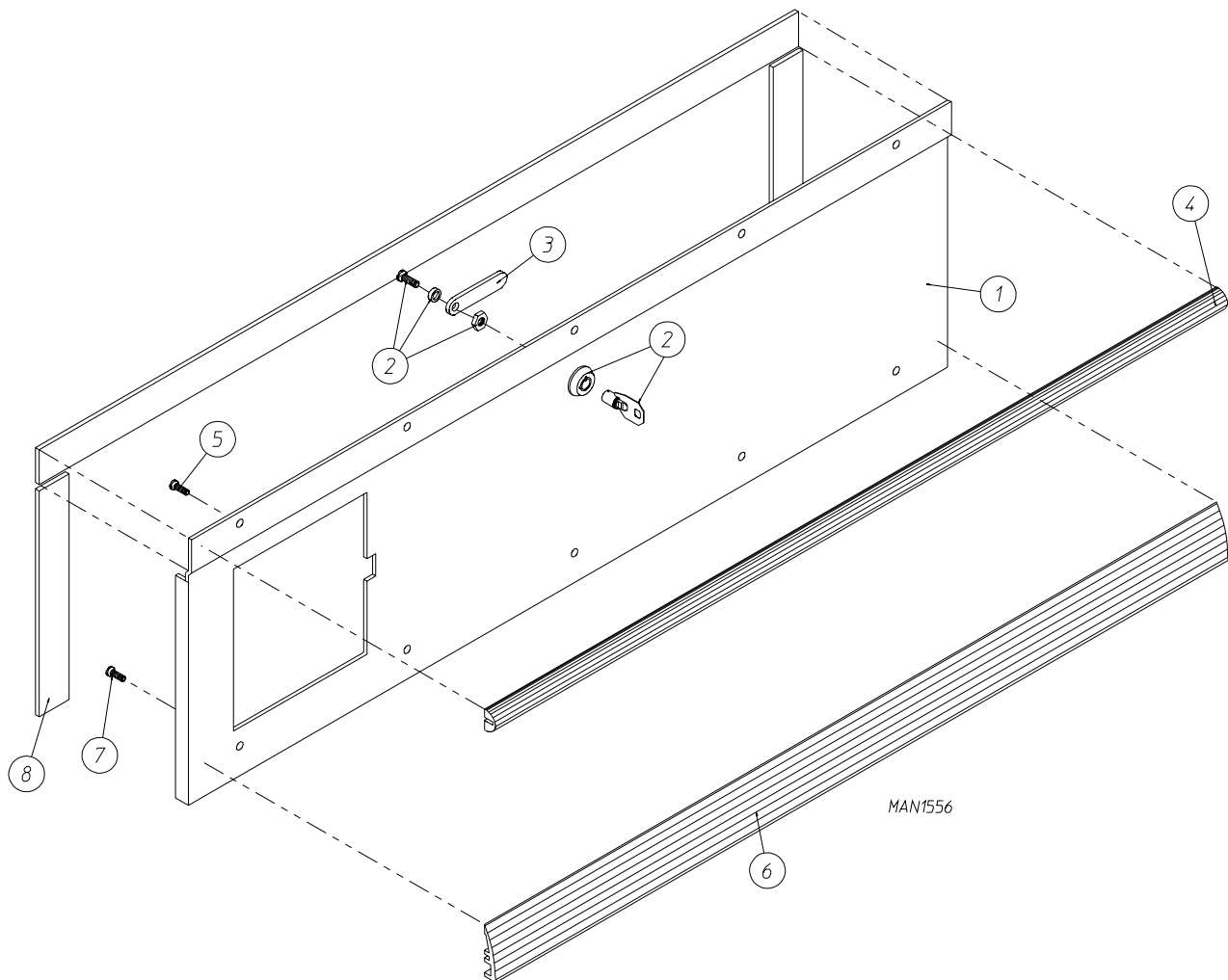
<u>Illus. No.</u>	<u>Part No.</u>	<u>Qty.</u>	<u>Description</u>
1	880919*	1	OPL Front Panel Assembly Complete (includes illus. nos. 1, 2, 3, and 5)
2	154215	2	5/32 x 1/4" Pop Rivot
3	881987	1	Friction Door Latch Kit (includes illus. nos. 2 and 3)
4	150415	8	#10-16 x 1/2" Phillips Round Head Crimptite Screw
5	121405	1	Rubber Grommet

\* Specify color when ordering.

For Models with a Plastic Door



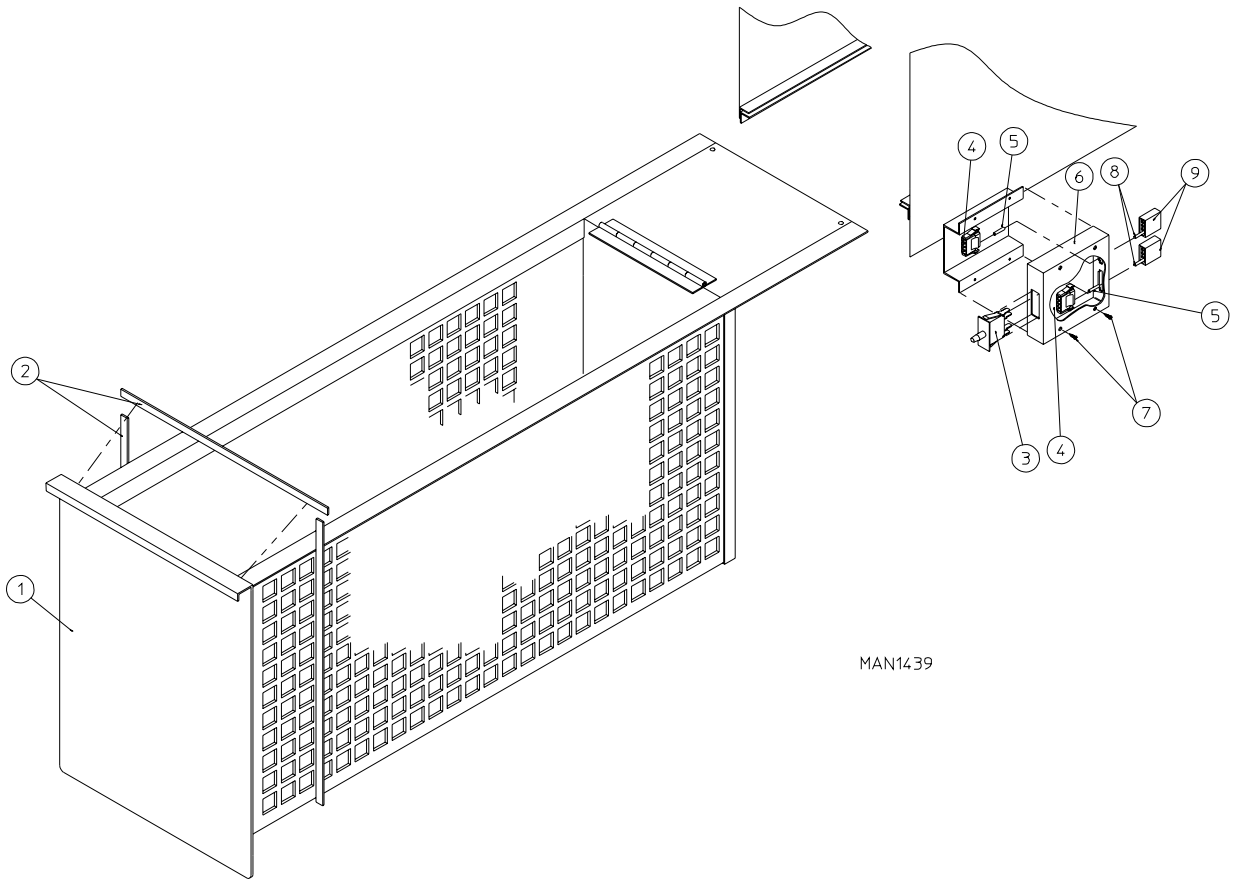
<u>Illus. No.</u>	<u>Part No.</u>	<u>Qty.</u>	<u>Description</u>
1	152013	2	#6-32 Hex Nut
2	153008	2	#6 Lock Washer
3	137005	1	Single-Pole Door Switch
4	121028	2	Insulated Female Terminal
5	154281	2	3/8" Standard Nylon Spacer
6	800448	1	12-1/2" Stainless Steel Main Door Hinge (includes illus. nos. 6 and 7)
7	153565	2	#6 Clinch Stud
8	313218	1	Main Door Switch Housing ONLY
9	150201	2	#10-32 x 1/4" Phillips Pan Head TEK Screw
10	121405	1	Rubber Grommet



<u>Illus. No.</u>	<u>Part No.</u>	<u>Qty.</u>	<u>Description</u>
1	880248*	1	Lint Door with Trim Less Locks (includes illus. nos. 1 and 4 through 8)
	880889*	1	Lint Door ONLY
2	160015	1	MK-100 Lock Assembly ONLY
	160104	1	MK-100 Key ONLY
3	160016	1	Lock Cam ONLY
4	180316	1	Upper Door Trim
5	150201	5	#10-32 x 1/4" Phillips Pan Head TEK Screw
6	180315	1	Lower Door Trim
7	150201	5	#10-32 x 1/4" Phillips Pan Head TEK Screw
8	117600	7	Noise Suppressor Tape (sold by the foot)

\* Specify color when ordering.

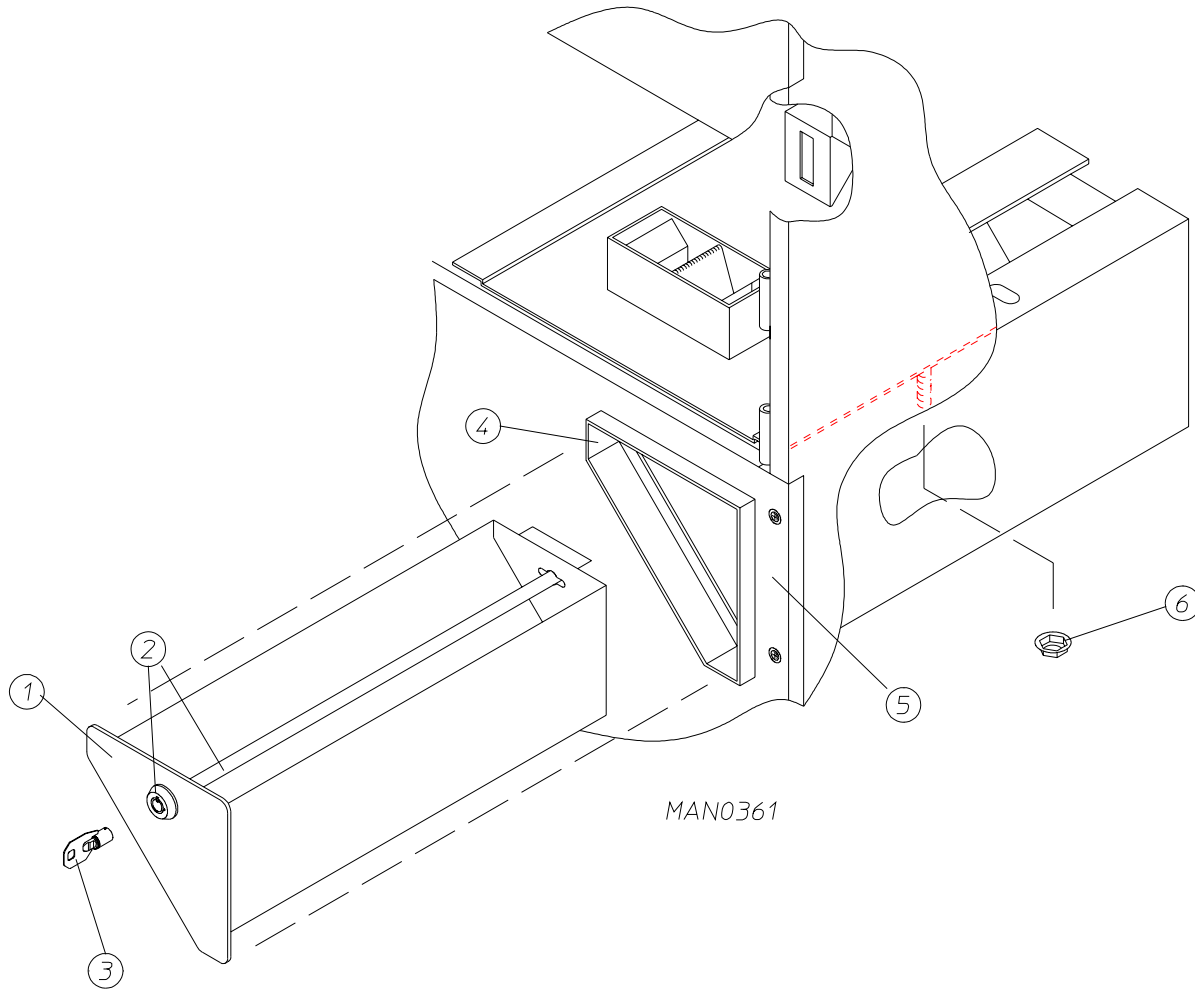




MAN1439

<u>Illus. No.</u>	<u>Part No.</u>	<u>Qty.</u>	<u>Description</u>
1*	880909	1	Lint Basket Assembly (includes illus. nos. 1 and 2)
2	117600	4	Noise Suppressor Tape (sold by the foot)
3	122116	1	Lint Door Switch - 24 VAC
4	122605	1	4-Pin Socket Connector
5	122701	4	Socket Terminal ONLY
6	880921	1	Lint Basket Switch Box Assembly (includes illus. nos. 3 through 6)
7	150301	4	#8-18 x 7/16" Phillips Pan Head TEK Screw
8	122700	8	Pin Terminal ONLY
9	122604	2	4-Pin Connector ONLY

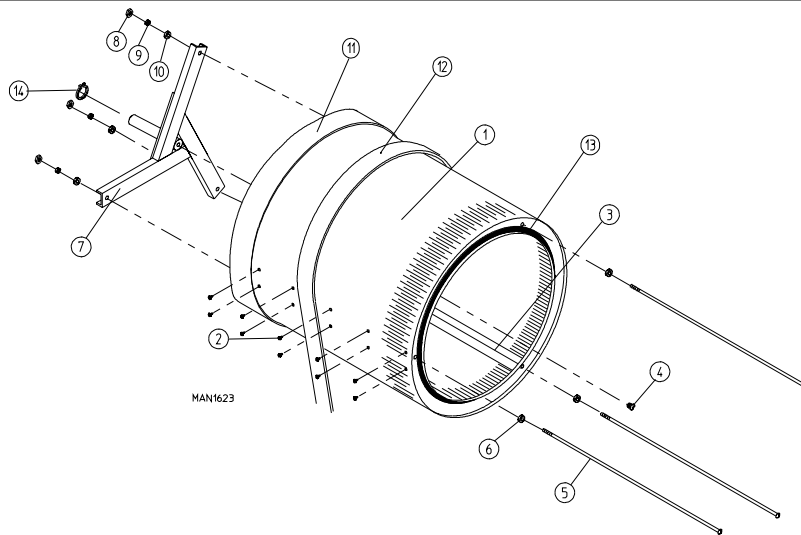
\* Specify color when ordering.



<u>Illus. No.</u>	<u>Part No.</u>	<u>Qty.</u>	<u>Description</u>
1*	880118	1	Coin Box Assembly ONLY Less Lock
	880901	1	Coin Box Faceplate ONLY
2	160036**	1	ACE® Lock Assembly with Key
3	160136**	1	ACE® Key ONLY
4*	880117	1	Coin Vault Assembly ONLY Less Lock (includes illus. nos. 1, 4, and 6)
5*	-----	1	Front Panel Assembly (refer to <b>Coin Front Panel Assembly</b> on <b>page 27</b> )
6	152014	4	1/4-20 Free Spin Wash Nut

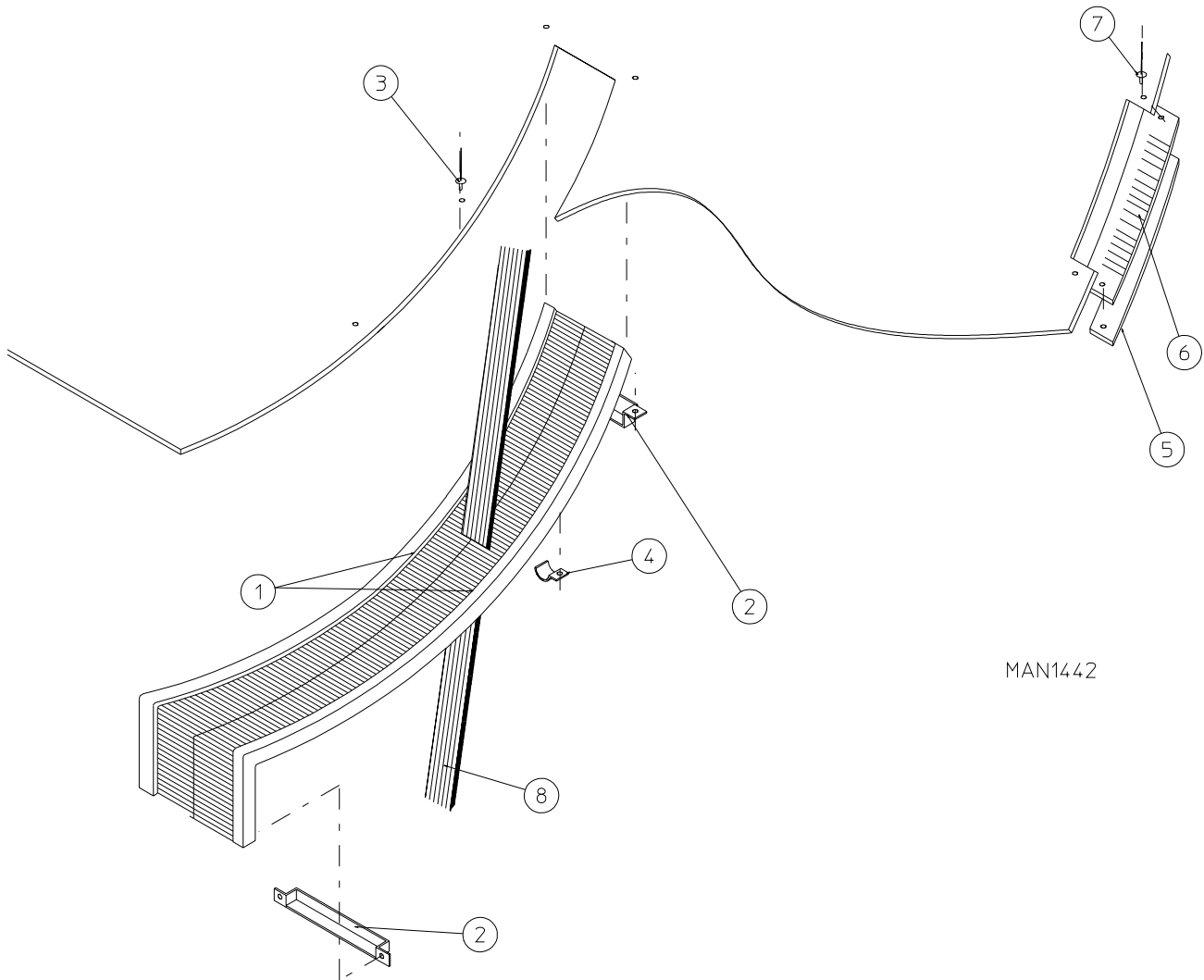
\* Specify color when ordering.

\*\* Specify key number when ordering.



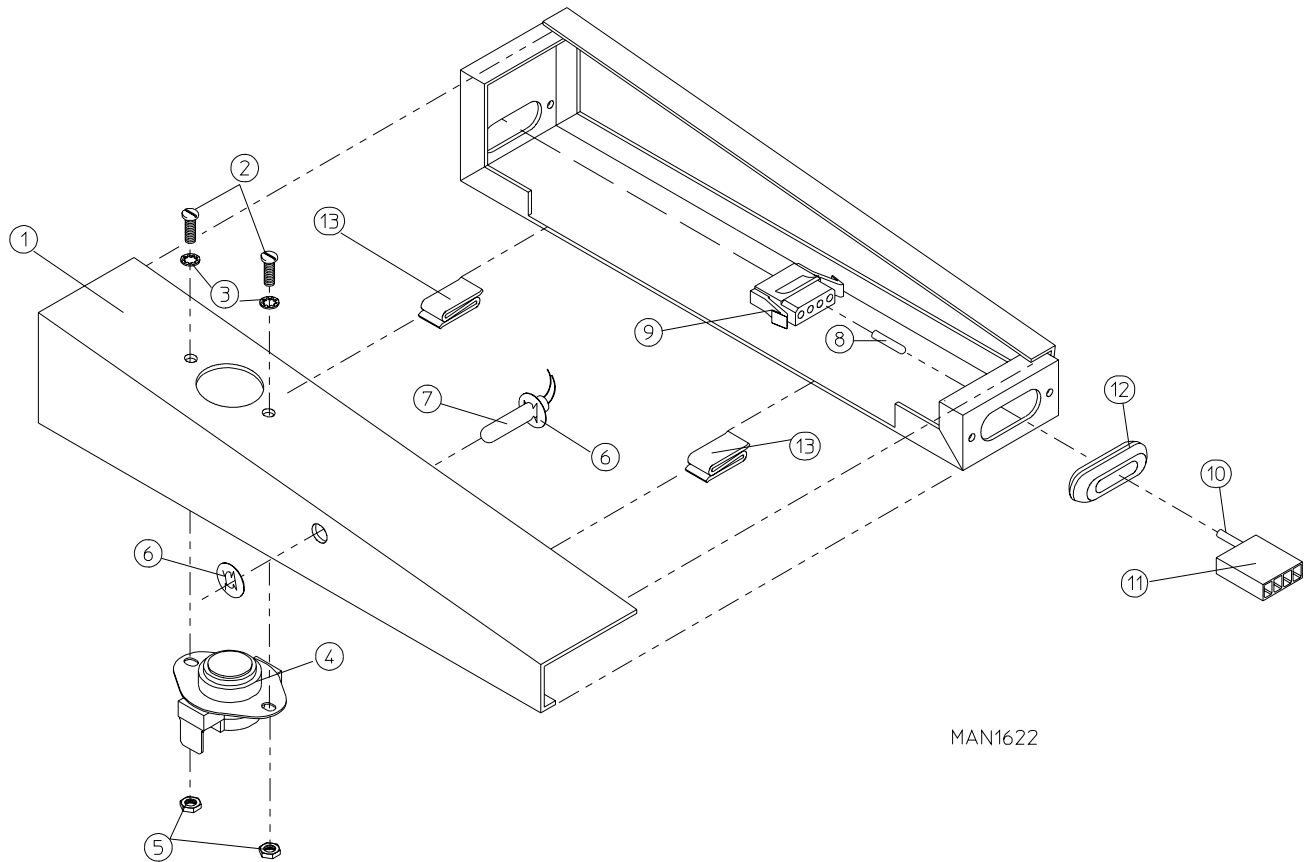
<u>Illus. No.</u>	<u>Part No.</u>	<u>Qty.</u>	<u>Description</u>
1	800828	1	Basket (tumbler) and Support Assembly Complete with Felt Collars (includes illus. nos. 1 through 11 and 13) For Models Mfd. as of November 2, 1998
	800835	1	Basket (tumbler) and Support Assembly Complete with Felt Collars (includes illus. nos. 1 through 11 and 13) For Models Mfd. prior to November 2, 1998
	800718*	1	Basket (tumbler) ONLY without Felt Collars (includes illus. nos. 1 through 3)
2	150415	30	#10-16 x 1/2" Phillips Round Head Crimptite Screw
3	301318	2	Short Basket (tumbler) Rib ONLY
	301317	1	Tall Basket (tumbler) Rib ONLY
4	150518	1	5/16-18 x 3/8" Socket Button Head Screw
5	882051	3	Tie Rod (includes illus. nos. 5, 6 and 8 through 10)
6	153003	3	3/8" x 1-1/2" Fender Washer
7	850066	1	Basket (tumbler) Support ONLY (for models mfd. as of November 2, 1998)
	850061	1	Basket (tumbler) Support ONLY (for models mfd. prior to November 2, 1998)
8	152004	3	5/16-18 Hex Nut
9	153002	3	5/16" Lock Washer
10	153001	3	5/16" Flat Washer
11	115999	1	Felt Collar ONLY
	401010	1	#847 Adhesive for Felt Collar (5 oz. tube)
12	100139	1	12-Rib 120" Poly "J" Belt (refer to <b>12-Rib 120" (J) Poly Belt Arrangement</b> on <a href="#">page 47</a> )
13	115992	1	Inner Ring Felt Collar ONLY
14	100812	1	1-3/8" Retaining Ring (for models mfd. as of November 2, 1998)
	100802	1	1-3/8" Retaining Ring (for models mfd. prior to November 2, 1998)

\* Felt collars are not included and **must be** ordered separately.



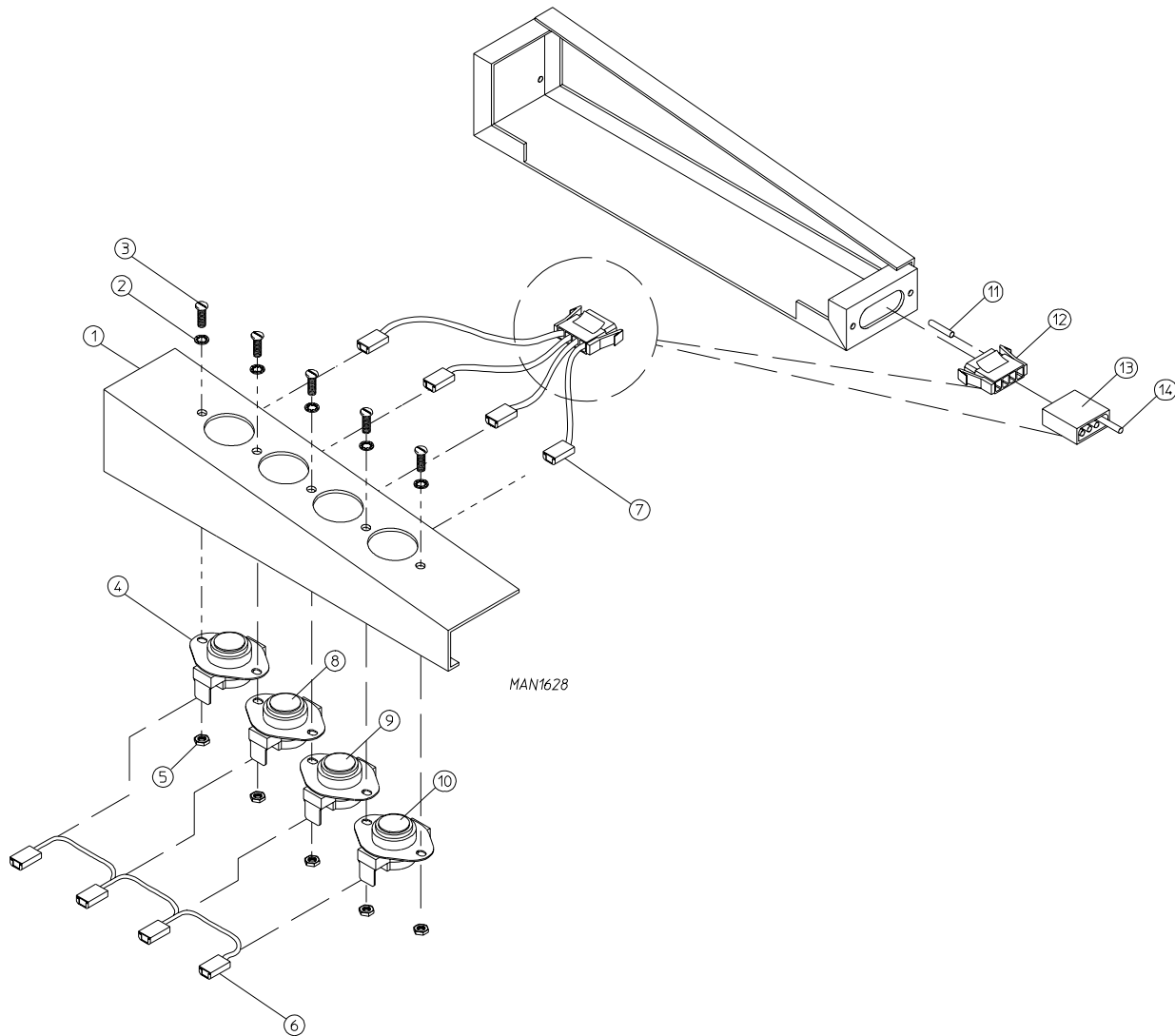
MAN1442

<u>Illus. No.</u>	<u>Part No.</u>	<u>Qty.</u>	<u>Description</u>
1	170196	2	Drive Belt Sealing Brush
2	317652	2	Sealing Brush Clip End
3	154210	6	5/16" x 3/16" Pop Rivet
4	120117	2	3/8" EMT Hanger
5	317650	1	Wrapper Gasket Strip
6	102325	1	8-1/2" x 1-1/2" x 1/8" Wrapper Channel Gasket
7	154210	2	5/32" x 3/16" Pop Rivet
8	100139	1	12-Rib 120" Poly "J" Belt (refer to <b>12-Rib 120" (J) Poly Belt Arrangement</b> on <a href="#">page 47</a> )

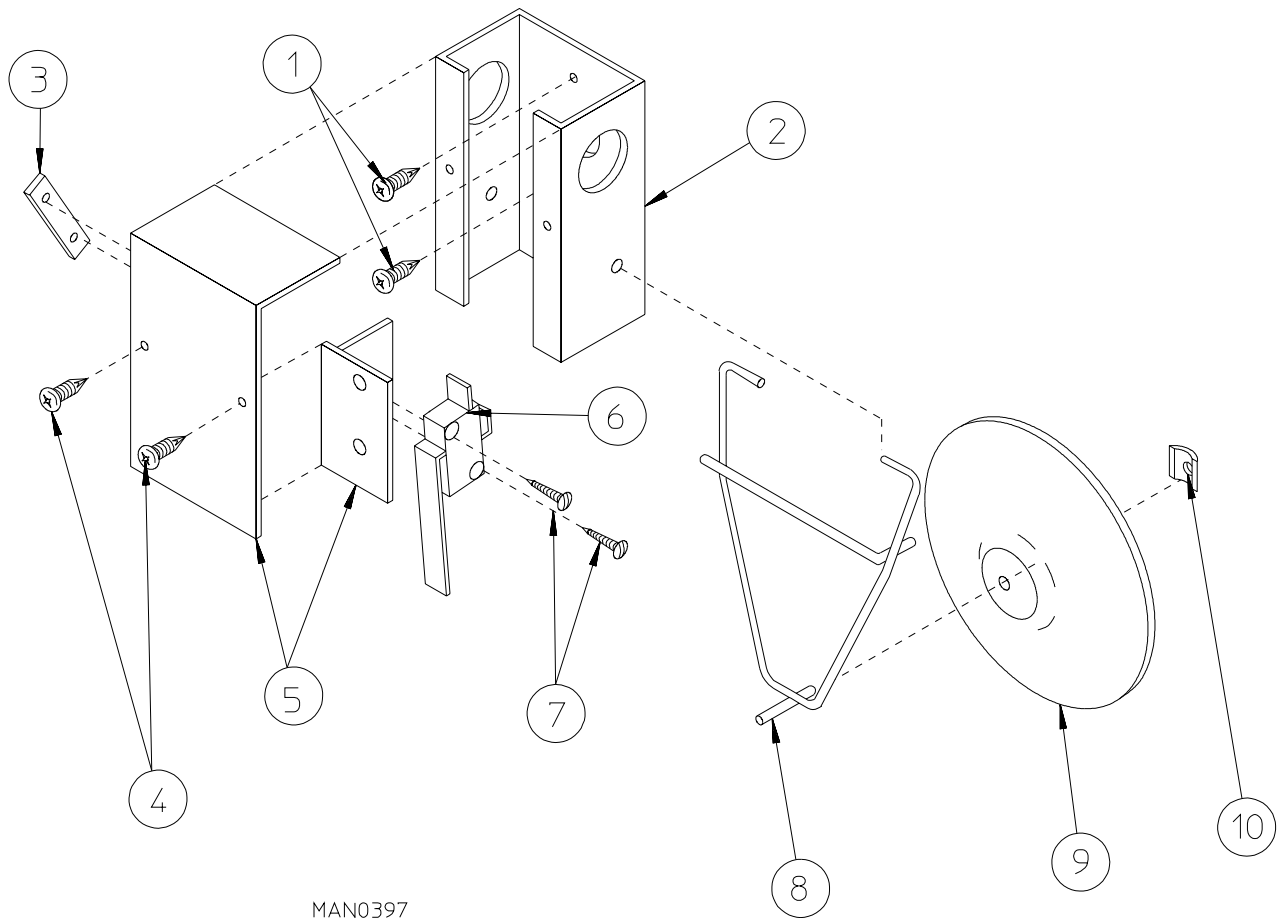


MAN1622

<u>Illus. No.</u>	<u>Part No.</u>	<u>Qty.</u>	<u>Description</u>
1	880925	1	Microprocessor Temperature Sensor Bracket Assembly Complete (includes illus. nos. 1 through 9, 12, and 13)
	305016	1	Temperature Sensor Bracket Top ONLY
2	150000	2	#6-32 x 1/4" Round Head Machine Screw
3	153010	2	#6 Star Washer
4	130102	1	190° Large Thermostat ONLY
5	152013	2	#6-32 Hex Nut
6	154007	2	1/4" Tinnerman Push On Fastener
7	880251	1	1/4" Temperature Sensor Probe Assembly (includes illus. nos. 6 through 9)
8	122701	4	Socket Terminal ONLY
9	122605	1	4-Pin Socket Connector ONLY
10	122700	4	Pin Terminal ONLY
11	122604	1	4-Pin Connector ONLY
	122801	1	Pin/Socket Extraction Tool
12	121405	1	Rubber Grommet
13	154060	2	Tinnerman "S" Clip

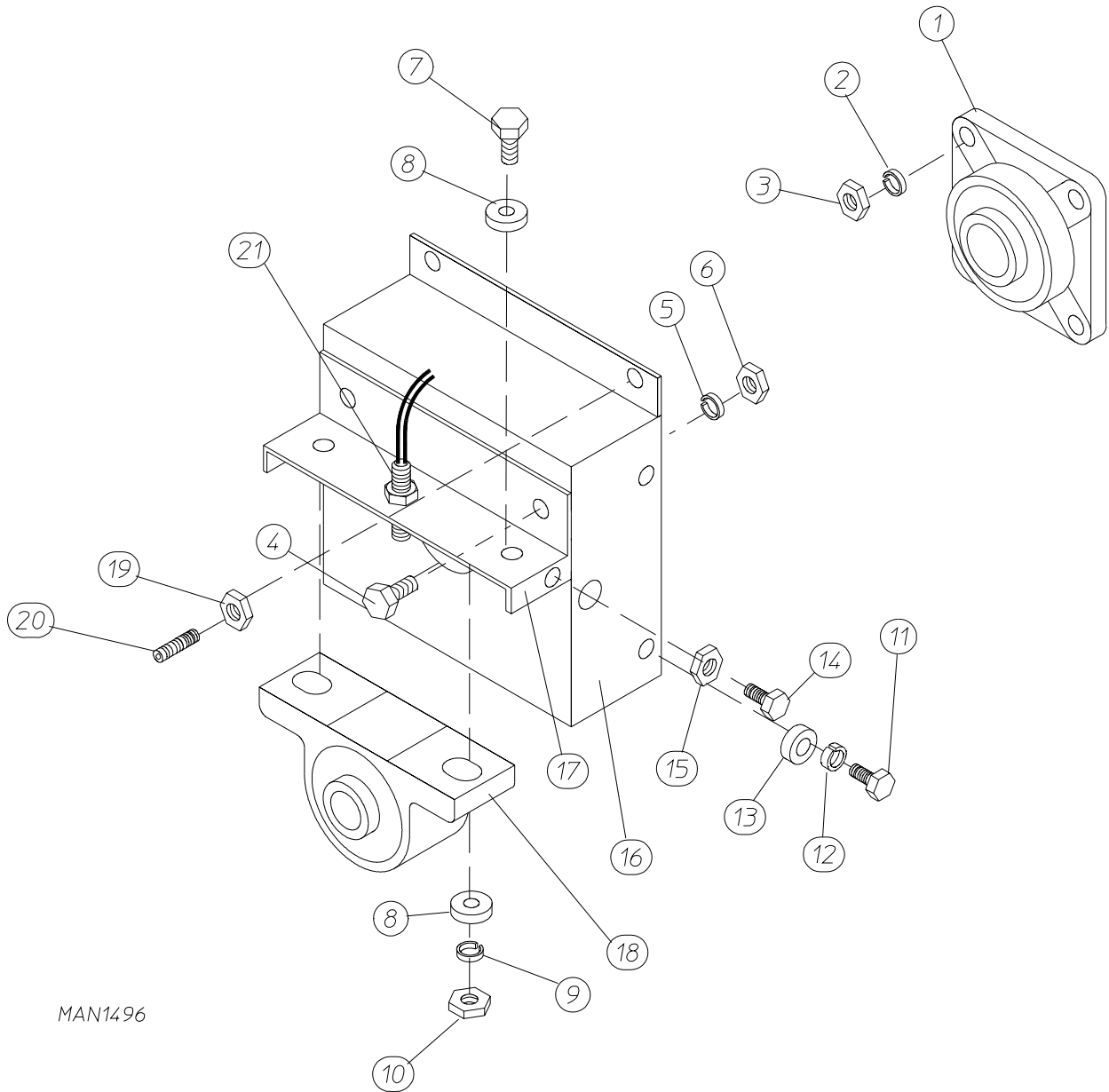


<u>Illus. No.</u>	<u>Part No.</u>	<u>Qty.</u>	<u>Description</u>
1	880907	1	Non-Microprocessor Sensor Bracket Assembly Complete (includes illus. nos. 1 through 12)
2	153010	5	#6 Star Washer
3	150005	5	#6-32 x 1/4" Round Head Machine Screw
4	130106	1	Large 170° Thermostat ONLY
5	152000	5	#6-32 Hex Nut
6	840065	1	Sensor Jumper
7	840062	1	Sensor Bracket Harness
8	130100	1	Large 150° Thermostat ONLY
9	130111	1	Large 130° Thermostat ONLY
10	130105	1	Large 100° Thermostat ONLY
11	122701	4	Socket Terminal ONLY
12	122605	1	4-Pin Socket Connector
13	122604	1	4-Pin Connector
14	122700	4	Pin Terminal ONLY



MAN0397

<u>Illus. No.</u>	<u>Part No.</u>	<u>Qty.</u>	<u>Description</u>
1	150301	2	#8-18 x 7/16" Phillips Pan Head TEK Screw
2	802800	1	Sail Switch Box with Cover and Bracket ONLY (includes illus. nos. 2, 4, and 5)
	802801	1	Sail Switch Box Assembly Complete (includes illus. nos. 2 through 10)
3	154004	1	Twin Speed Nut
4	150415	2	#10-16 x 1/2" Phillips Round Head Crimptite Screw
5	802799	1	Sail Switch Box Cover and Bracket ONLY
6	122200	1	Sail Switch ONLY
7	150303	2	#4 x 3/4" Pan Head "A" Machine Screw
8	105500	1	Sail Switch Actuator Rod
9	319206	1	Sail Switch Damper (embossed)
10	154002	1	1/8" Push On Fastener

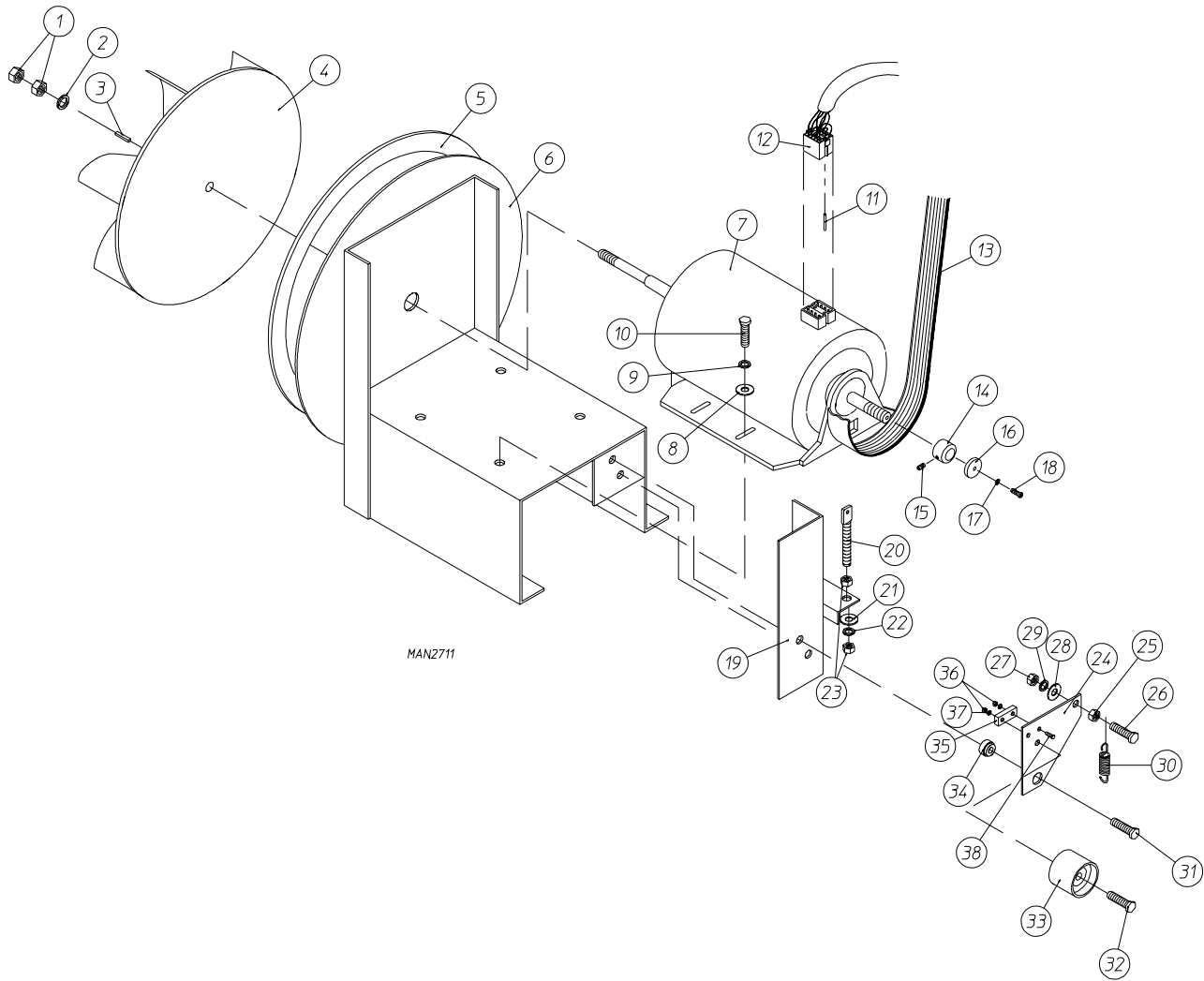


MAN1496



<u>Illus. No.</u>	<u>Part No.</u>	<u>Qty.</u>	<u>Description</u>
1	100203	1	1-3/8" Flange Bearing ONLY
2	153005	4	3/8" Lock Washer
3	152005	4	3/8-16 Hex Nut
4	150508	2	3/8-16 x 3/4" Hex Head Machine Bolt
5	153005	2	3/8" Lock Washer
6	152005	2	3/8-16 Hex Nut
7	150600	2	3/8-16 x 1-1/2" Hex Head Machine Bolt
8	153004	2*	3/8" Flat Washer
9	153005	2	3/8" Lock Washer
10	152005	2	3/8-16 Hex Nut
11	150501	4	5/16-18 x 3/4" Hex Head Machine Bolt
12	153002	4	5/16" Lock Washer
13	153001	4	5/16" Flat Washer
14	150621	2	5/16-18 x 1-1/2" Hex Head Machine Bolt
15	152004	2	5/16-18 Hex Nut
16	801101	1	1-3/8" Bearing Box Assembly Complete (includes illus. nos. 4 through 20) For Models Mfd. without Rotational Sensor
	801103	1	1-3/8" Bearing Box and Support Assembly ONLY (includes illus. nos. 4, 5, 6, 16, and 17)
	801105	1	1-3/8" Bearing Box ONLY
17	801104	1	1-3/8" Pillow Block Bearing Support ONLY
18	100202	1	1-3/8" Pillow Block Bearing ONLY
	880779	1	1-3/8" Pillow Block Bearing Assembly with Magnet (for models mfd. with rotational sensor)
19	152004	2	5/16-18 Hex Nut
20	150610	2	5/16-18 x 1-1/2" Allen Setscrew
21	824807	1	Rotational Sensor Assembly

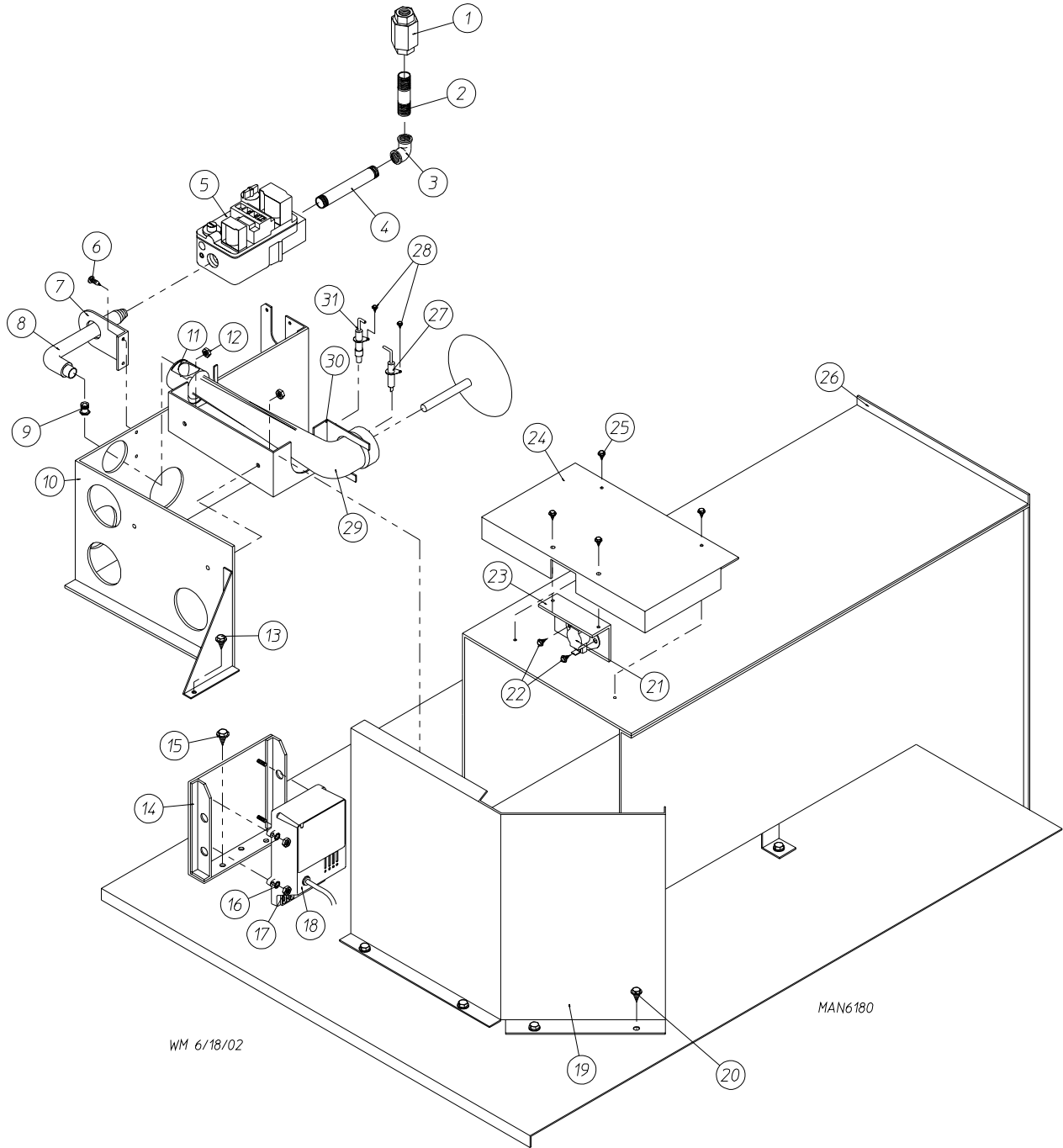
\* Some models require a quantity of 4.



Illus. No.	Part No.	Qty.	Description
1	152006	2	1/2-20 Left Hand Jam Nut
2	153050	1	1/2" S.A.E. Flat Washer
3	100702	1	1/8" x 1/8" x 1-1/2" Key
4	100604	1	Impellor (fan/blower) ONLY
5	117600	4	Noise Suppressor Tape (sold by the foot)
6	880890	1	Motor Mount ONLY
	880893	1	Motor Mount Assembly Complete - 60 Hz Models ONLY (includes illus. nos. 1 through 10 and 14 through 18)
	880894	1	Motor Mount Assembly Complete - 50 Hz Models ONLY (includes illus. nos. 1 through 10 and 14 through 18)
7	100099	1	1/2 HP 115/208-230 60 Hz 1ø Totally Enclosed, Non-Vent (T.E.N.V.) Motor with Plug
	100054	1	1/2 HP 115/208-230 50 Hz 1ø Totally Enclosed, Non-Vent (T.E.N.V.) Motor with Plug
8	153001	4	5/16" Flat Washer
9	153002	4	5/16" Lock Washer

<u>Illus. No.</u>	<u>Part No.</u>	<u>Qty.</u>	<u>Description</u>
10	154279	4	5/16-18 x 3/4" Carriage Bolt
11	122701	*	Socket Terminal ONLY
	122801	1	Pin/Socket Extraction Tool
12	137030	1	8-Pin Housing
13	100139	1	12-Rib 120" Poly "J" Belt
14	101097	1	Rear Motor Shaft Bushing (for 60 Hz Models Only)
	101099	1	Rear Motor Shaft Bushing (for 50 Hz Models Only)
15	154304	1	Rear Bushing Setscrew
16	101096	1	Front Motor Shaft Bushing ONLY
17	153024	1	#10 Lock Washer
18	150217	1	#10-32 x 3/4" Left Hand Phillips Round Head Machine Screw
19	880922	1	Idler Assembly Complete (includes illus. nos. 19 through 38)
	880895	1	Idler Plate Angle Assembly ONLY
20	153005	1	3/8-16 x 3-3/8" Spade Bolt
21	153004	1	3/8" Flat Washer
22	153005	1	3/8" Lock Washer
23	152005	2	3/8-16 Hex Nut
24	302219	1	Idler Plate
25	153007	1	1/4" Lock Washer
26	150112	1	1/4-20 x 1-1/4" Hex Head Bolt
27	152002	1	1/4-20 Hex Nut
28	153018	1	1/4" Flat Washer
29	153007	1	1/4" Lock Washer
30	157010	1	1-7/8" Extension Spring
31	154278	1	5/16-18 x 5/8" Shoulder Screw
32	150600	1	3/8-16 x 1/2" Hex Head Bolt
33	100251	1	Idler Pulley ONLY
34	100429	1	Idler Pivot Sleeve
35	170359	1	Nylon Spacer
36	152000	2	#6-32 Hex Nut
37	153008	2	#6 Lock Washer
38	150001	2	#6-32 x 1/2" Round Head Machine Screw

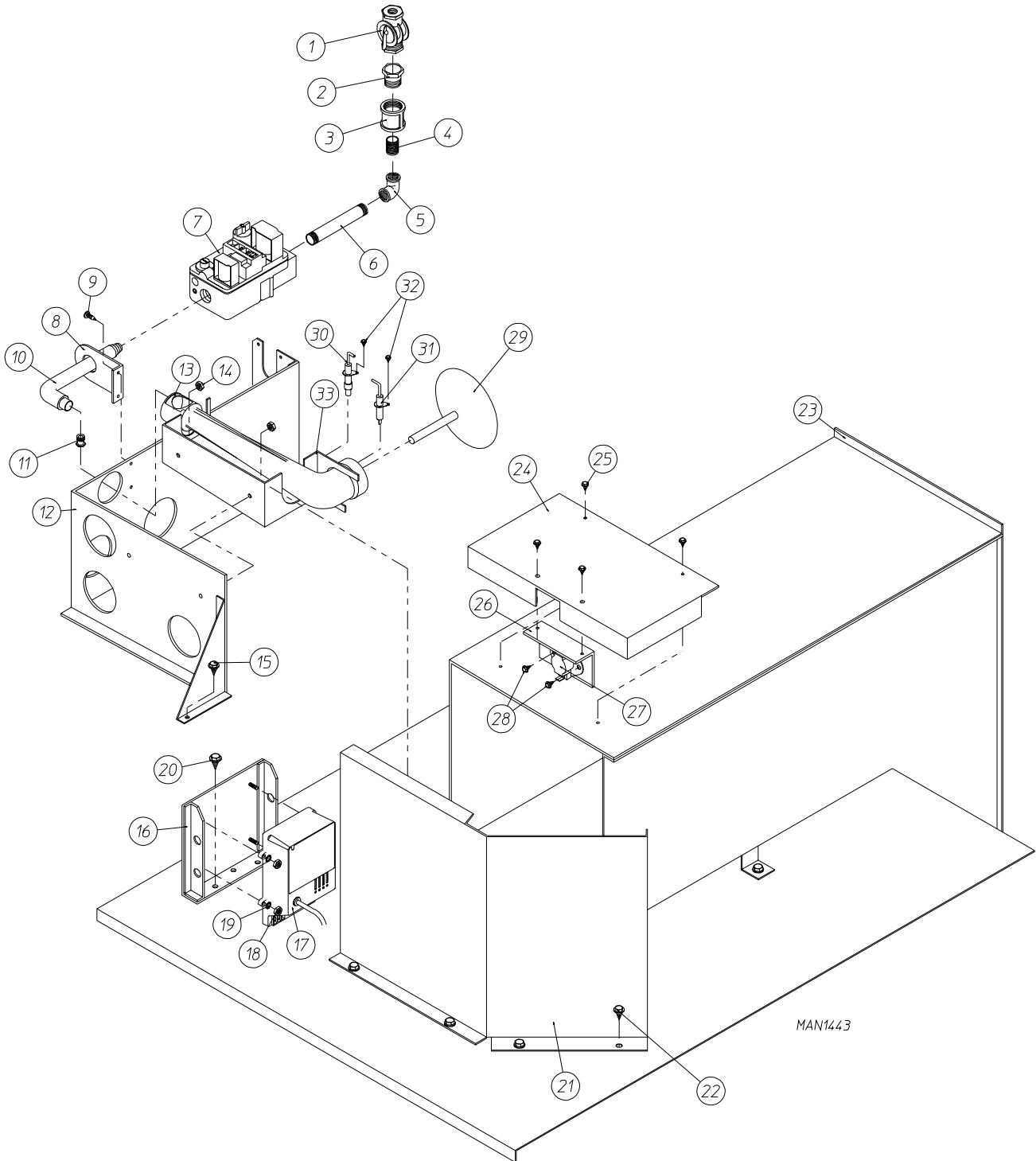
\* As required.



---

 For Models Mfd. as of May 20, 2000

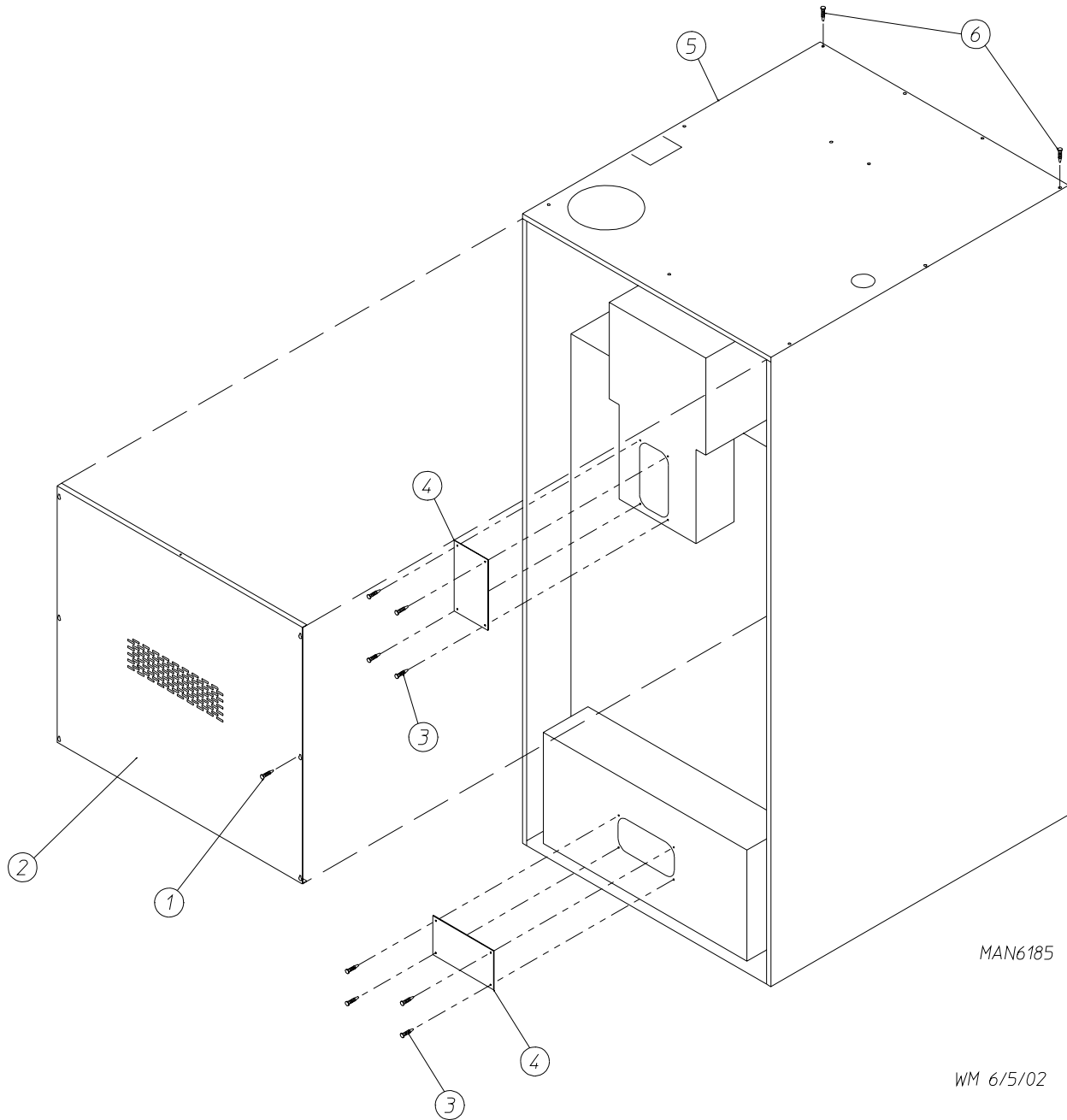
<u>Illus. No.</u>	<u>Part No.</u>	<u>Qty.</u>	<u>Description</u>
1	142600	1	1/2" Union
2	142715	1	1/2" x 2" Nipple
3	142500	1	1/2" x 90° Elbow
4	142812	1	1/2" x 3" Nipple
5	128927	1	1/2" 24 VAC Direct Spark Ignition (DSI) Redundant Valve (natural gas)
	880960	1	1/2" 24 VAC Direct Spark Ignition (DSI) Redundant Valve (liquid propane [L.P.] gas)
6	150300	2	#10-16 x 1/2" Hex Washer TEK Screw
7	318700	1	Pipe Bracket
8	141238	1	1/2" Manifold
9	-----	1	Burner Orifice (refer to <b>Upshot Burner Orifice Listing</b> on <b>page 48</b> )
10	880891	1	Burner Front and Back Bracket
11	880892	1	Upshot Burner Tube Assembly (includes illus. nos. 13 and 30 through 31)
12	152001	2	#8-32 Hex Nut
13	141131	1	Upshot Burner Tube with Flame Spreader
14	801050	1	Direct Spark Ignition (DSI) Mounting Bracket
15	150301	2	#8-18 x 7/16" Phillips Pan Head TEK Screw
16	153010	2	#6 Star Washer
17	152013	2	#6-32 Hex Nut
18	128935	1	Johnson Control Module
19	318083	1	Outer Burner Baffle
20	150300	4	#10-16 x 1/2" Hex Washer TEK Screw
21	130403	1	330° Oven Hi-Limit
22	150301	2	#8-18 x 7/16" Phillips Pan Head TEK Screw
23	319706	1	Hi-Limit Bracket
24	318076	1	Burner Box Cover
25	150300	4	#10-16 x 1/2" Hex Washer TEK Screw
26	880923	1	Burner Box Assembly (includes illus. nos. 23 through 26)
27	128917	1	Spark Electrode with High Voltage (HV) Wire
28	150315	2	#6 x 3/8" Phillips Pan Head Screw
29	141131	1	Burner Tube with Spreader
30	318009	1	PSE Burner Tube Bracket
---	-----	1	Conversion Kit (refer to <b>L.P. Conversion Kit Listing</b> on <b>page 48</b> )
31	128918	1	Flame Sensor



---

 For Models Mfd. prior to May 20, 2000

<u>Illus. No.</u>	<u>Part No.</u>	<u>Qty.</u>	<u>Description</u>
1	141306	1	Straight Shut-Off
2	141303	1	1/2" Union Tail Piece
3	143001	1	1/2" Coupling
4	142700	1	Close Nipple
5	142500	1	1/2" x 90° Elbow
6	142812	1	1/2" x 3" Nipple
7	128927	1	1/2" 24 VAC Direct Spark Ignition (DSI) Redundant Valve (natural gas)
	140411	1	1/2" Valve Conversion Kit (liquid propane [L.P.] gas)
8	318700	1	Pipe Bracket
9	150300	2	#10-16 x 1/2" Hex Washer TEK Screw
10	141238	1	1/2" Manifold
11	-----	1	Burner Orifice (refer to <b>Upshot Burner Orifice Listing</b> on <b>page 48</b> )
12	880891	1	Burner Front and Back Bracket
13	880892	1	Upshot Burner Tube Assembly (includes illus. nos. 13 and 30 through 33)
14	152001	2	#8-32 Hex Nut
15	150300	2	#10-16 x 1/2" Hex Washer TEK Screw
16	820100	1	Direct Spark Ignition (DSI) Mounting Bracket
17	880815	1	<b>ADC</b> Direct Spark Ignition (DSI) Module ONLY (50/60 Hz)
18	152000	4	#6-32 Hex Nut
19	153010	4	#6 Star Washer
20	150301	2	#8-18 x 7/16" Phillips Pan Head TEK Screw
21	318083	1	Outer Burner Baffle
22	150300	4	#10-16 x 1/2" Hex Washer TEK Screw
23	880923	1	Burner Box Assembly (includes illus. nos. 23 through 26)
	880924	1	Burner Box Assembly (includes illus. nos. 23 through 26)
24	318076	1	Burner Box Cover
25	150300	4	#10-16 x 1/2" Hex Washer TEK Screw
26	319706	1	Hi-Limit Bracket
27	130401	1	330° Hi-Limit ONLY
28	150301	1	#8-18 x 7/16" Phillips Pan Head TEK Screw
29	141131	1	Burner Tube with Spreader
30	128918	1	Flame Sensor
31	128917	1	Spark Electrode with High Voltage (HV) Wire
32	150315	2	#6 x 3/8" Phillips Pan Head "B" Screw
33	318009	1	PSE Burner Tube Bracket
---	-----	1	Conversion Kit (refer to <b>L.P. Conversion Kit Listing</b> on <b>page 48</b> )

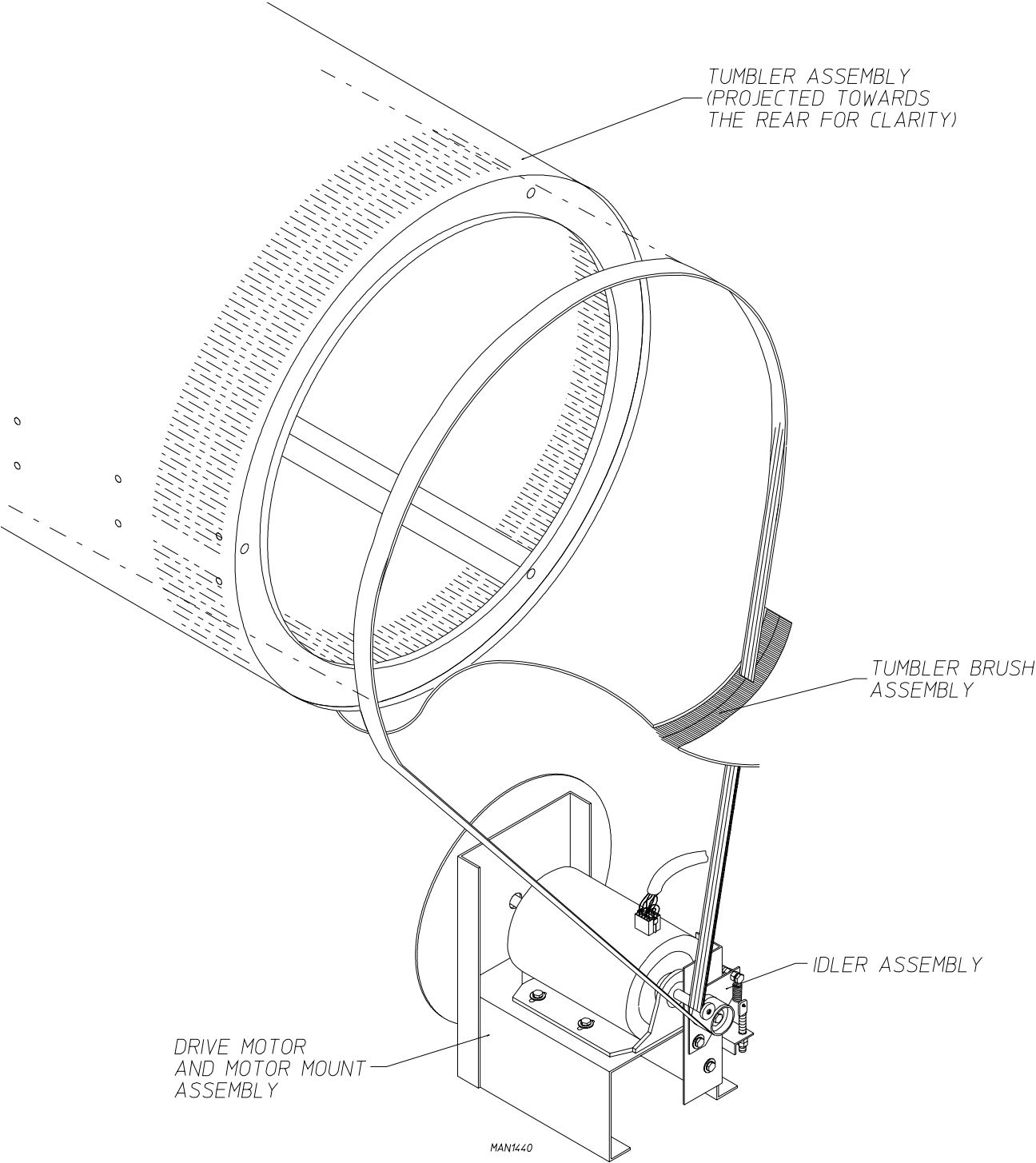


MAN6185

WM 6/5/02

<u>Illus. No.</u>	<u>Part No.</u>	<u>Qty.</u>	<u>Description</u>
1	150301	6	#8-18 x 7/16" Phillips Pan Head TEK Screw
2	314408	1	Back Guard
3	150300	8	#10-16 x 1/2" Hex Washer TEK Screw
4	318065	2	Clean Out Plate
5	312530	1	Outer Top
6	150301	11	#8-18 x 7/16" Phillips Pan Head TEK Screw





## Upshot Burner Orifice Listing\*

Model Number	Qty.	Natural Gas		L.P. Gas	
		D.M.S.	Part No.	D.M.S.	Part No.
ADG-26D @ 60 Hz	1	#26	140823	#43	140809
ADG-26D @ 50 Hz	1	#29	140820	#46	140806

\* Consult factory for elevations over 2,000 feet.

## L.P. Conversion Kit Listing\*

Model Number	Kit Part Number
ADG-26D @ 60 Hz	874061
ADG-26D @ 50 Hz	880932

\* Consult factory for elevations over 2,000 feet.

---

<u>Part No.</u>	<u>Description</u>
112027	“Water Washed Fabrics” Label
112039	“Black/White/Green Ground” Label
112040	“Lint Compartment” Label
112041	“Caution-Exhausted” Label
112534	“Phase 5 OPL Program Location Summary” Label
120802	Red Butt Connector
120902	#74B Wire Nut
120903	Crimp-On Wire Nut
121014	1/4” Insulated (female) Terminal
121499	5-1/2” Harness Tie
121500	8” Harness Tie
122804	Hydrogauge, 15”
404500	Almond Brush-In-Cap Bottle Touch-Up Paint
404502	White Brush-In-Cap Bottle Touch-Up Paint
404506	Almond “B” Brush-In-Cap Bottle Touch-Up Paint
404507	Cornflower Blue Brush-In-Cap Bottle Touch-Up Paint
410001	1/2” Allen Wrench
880200	Electrical Terminal (assortment) Kit

