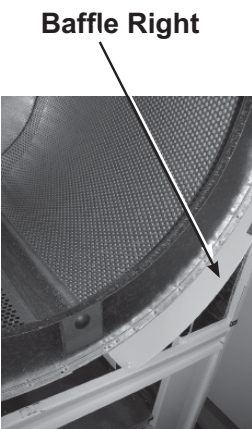
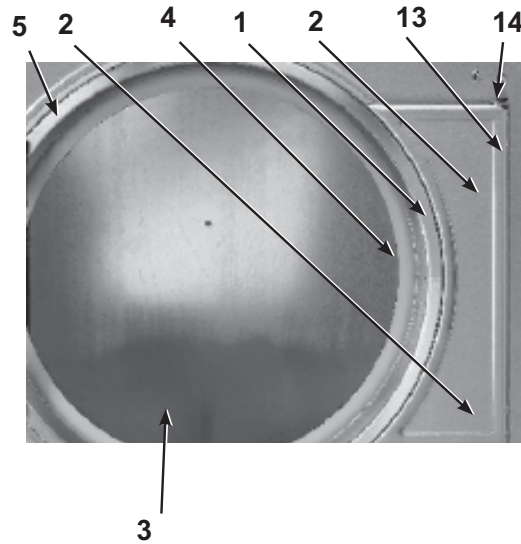
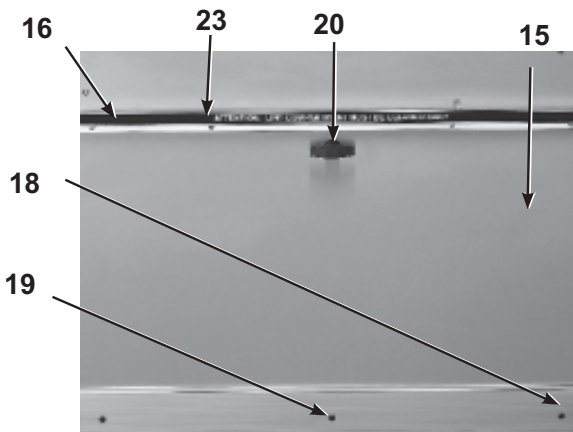
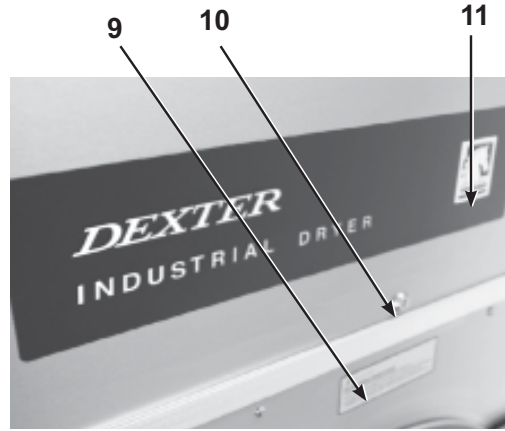
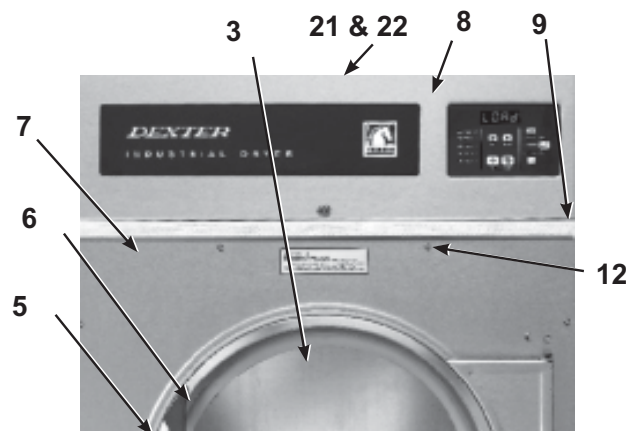


---

# **Section 6:** **Parts Data**

## Section 6: Parts Data - Cabinet Group

Key	Part Number	Description	Quantity
*	9960-256-021	Door Assy., Loading Complete-Wht .....	1
*	9960-256-025	Door Assy., Loading Complete-SS.....	1
1	9960-255-007	Door Assy.ONLY, Loading-SS .....	1
2	9982-280-002	Plate Assy., Hinge (Wht).....	1
2	9982-280-011	Plate Assy., Hinge (SS).....	1
*	9545-012-015	Screw, Hinge to Door 10-32 x 3/8" .....	4
*	8640-413-002	Nut, Hinge to Door #10-32 UNF .....	4
3	9212-002-003	Glass, Door.....	1
4	9206-164-009	Gasket, Glass .....	1
*	9548-117-000	Support, Door Glass (inside gasket).....	1
5	9206-420-002	Gasket, Outer Rim .....	1
6	9244-082-001	Handle, Loading Door.....	1
*	9545-018-017	Screw, Handle 1/4"-20 x 3/8" .....	2
*	9531-033-001	Stud, Door Catch .....	1
*	8640-413-001	Nut, Hex.....	1
*	8640-413-003	Nut , Acorn # 10-32 .....	1
*	9086-015-002	Catch, Loading Door.....	1
7	9989-460-003	Panel Assy., Front- white only .....	1
7	9989-460-001	Panel Assy., Front- S. Steel .....	1
8	9108-100-004	Door, Upper Service-S.S.....	1
8	9108-100-006	Door, Upper Service-White .....	1
9	9578-090-002	Trim, Door-Upper Service.....	1
	6292-006-006	Key ( only ) (FJWCC).....	1
10	8650-006-003	Lock w/ nut, Upper Service Door .....	1
*	9491-009-001	Rivet, Drive .....	2
*	8641-581-005	Washer, Flat 3/16" .....	2
*	9548-268-001	Support, Upper Door .....	1
11	9412-127-001	Nameplate, Industrial Dryer.....	1
12	9545-012-003	Screw, Chrome 10-32 x 1/2".....	4
*	8641-436-004	Washer, Fiber .....	4
*	8641-582-019	Lockwasher # 10 .....	10
*	8640-399-001	Nut, Spring U type 10Z.....	6
13	9544-047-002	Strap, Hinge (White) .....	1
13	9544-047-007	Strap, Hinge (Gray).....	1
*	9545-012-003	Screw, to Panel 10T-32 x 1/2" Strap.....	4
14	9545-052-001	Screw, Door to Hinge Strap (special) .....	1
*	8641-436-003	Washer, Fiber/ Plastic VSCO on Door Hinge (special) .....	1
15	9960-281-001	Door Ass'y, Lower Service-SS .....	1
15	9960-281-003	Door Ass'y, Lower Service-White .....	1
16	9578-088-001	Trim, Door - Lower Service.....	1
17	9545-008-021	Screw,Pn Hd Cr., #10Bx3/8 .....	5
18	9578-084-002	Trim, Kick- Lower Service Door.....	1
19	9545-008-010	Screw, Tr Hd Cr-#10x1/2 Blk .....	3
20	9244-084-001	Latch, Lower Door (Handle).....	1
23	9435-016-003	Overlay Trim .....	1
*	8502-617-001	Label - Made in the USA .....	1
*	9277-051-002	Insulation Side Panel.....	6



**Baffle Right**

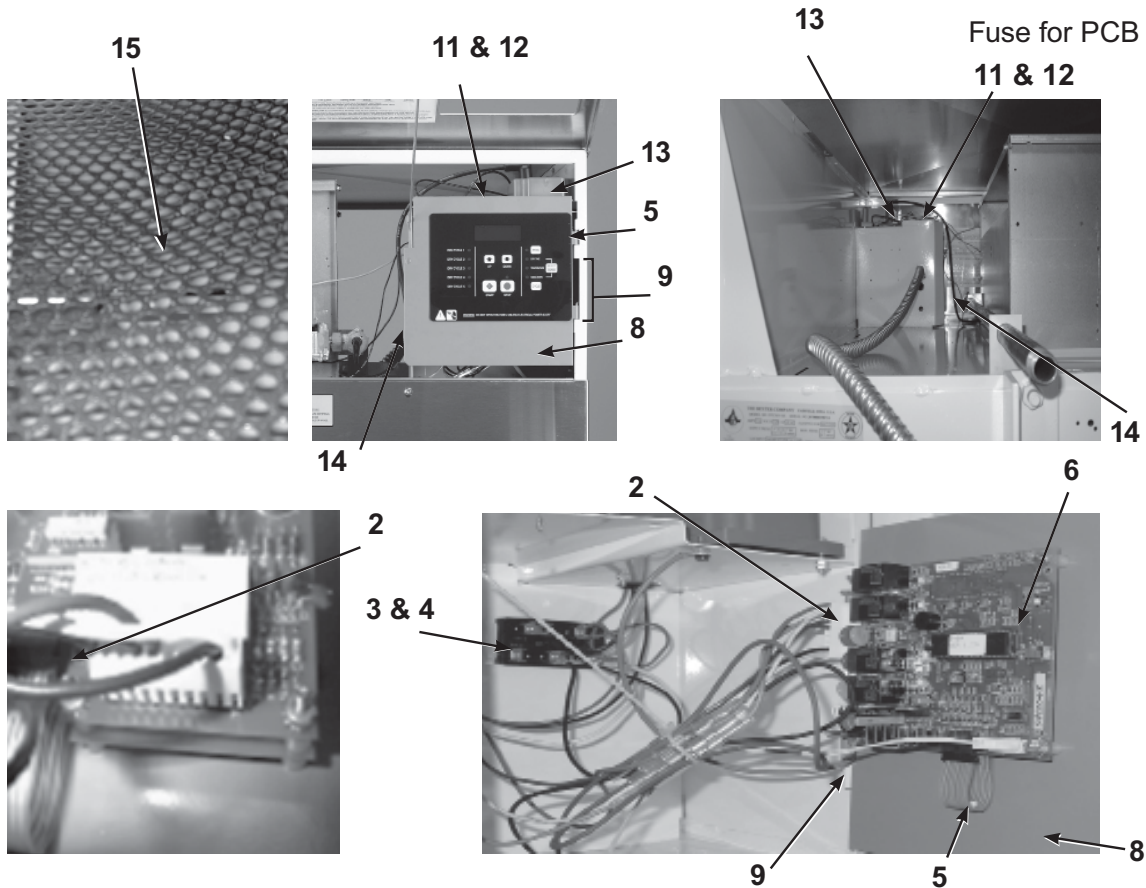
Key	Part Number	Description	Quantity
*	9277-049-002	Insulation Front Panel Bottom .....	1
*	9277-049-001	Insulation Front Panel Top .....	1
*	8544-006-001	Leg, Leveling .....	4
*	9049-074-001	Baffle, Cabinet- Left Inside Cabinet.....	1
*	9049-074-002	Baffle, Cabinet- Right Inside Cabinet .....	1
*	9545-008-003	Screw, #10x1/2 TEK .....	8
21	9074-273-001	Cover, Cabinet.....	1
22	9545-008-024	Screw 10AB x 3/8" .....	10
*	9277-050-002	Insulation Lower Service Door .....	1
*	9277-047-001	Insulation .....	1
*	9277-047-002	Insulation 1/4" black.....	1

\* Not Illustrated

## Front Control Housing Group

Key	Part Number	Description	Quantity
2	9627-770-001	Wiring Harness Micro.....	1
3	9897-026-001	Terminal Block Assembly .....	1
4	9545-031-004	Screw 6AB x 3/8" (for terminal block).....	2
5	9801-085-001	Membrane Switch Assembly.....	1
6	9732-249-001	PCB Board Controller.....	1
8	9982-326-002	Plate Assembly,Control Mounting .....	1
9	9451-146-005	Pin- Hinge meterplate.....	2
11	9054-045-001	Fuseholder.....	1
12	8636-018-001	Fuse 1.5 amp.....	1
13	9857-116-003	Control, Ignition .....	1
14	9631-403-003	Wire Ass'y High Voltage (from ignition control).....	1
*	8636-024-001	Electronic Control PCB Fuse on PCB .600 MA/250V .....	1
15	9501-004-002	Temperature Sensor.....	1

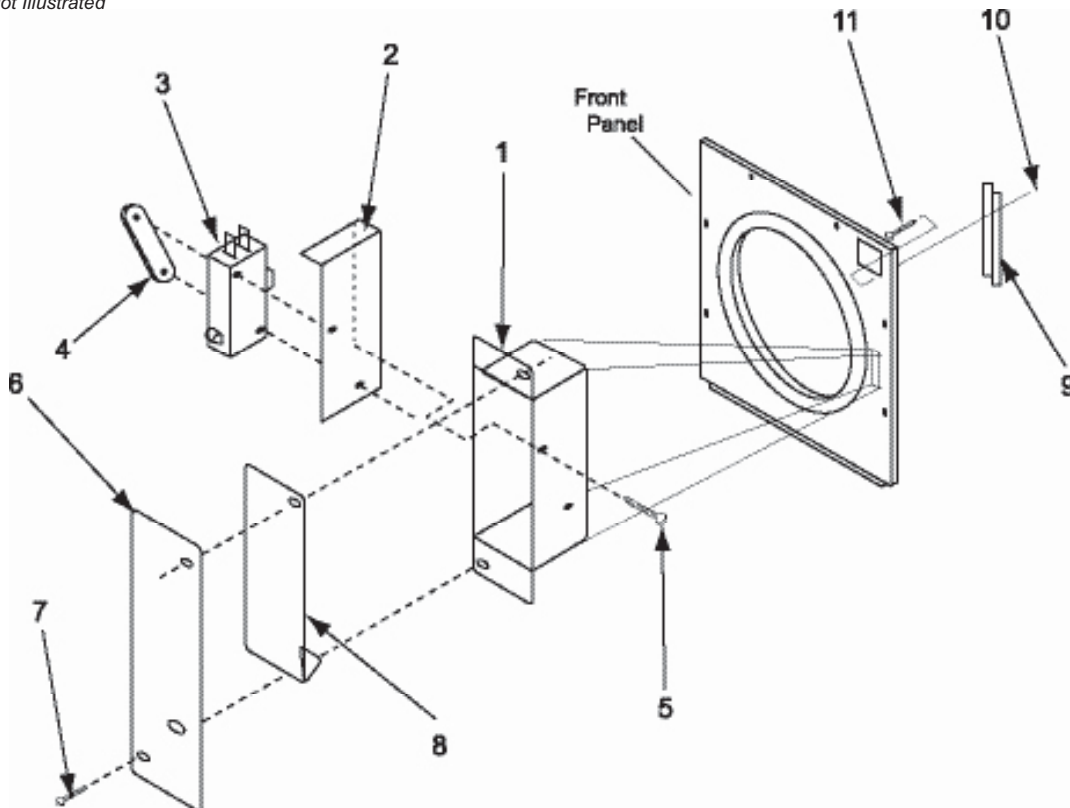
\* Not Illustrated



## Door Switch Group

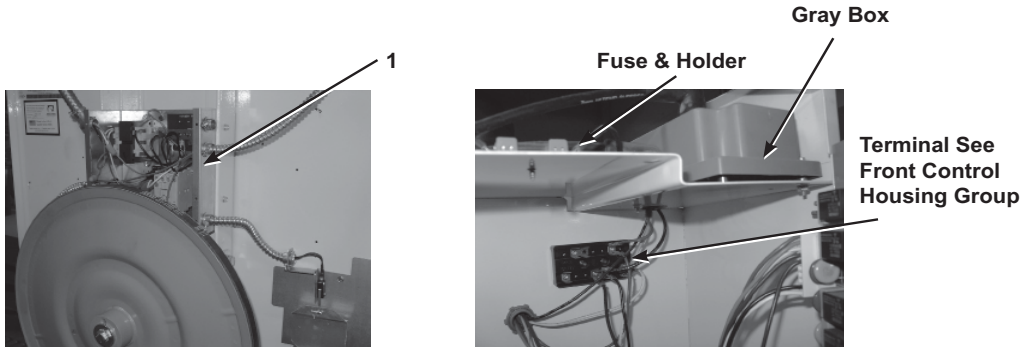
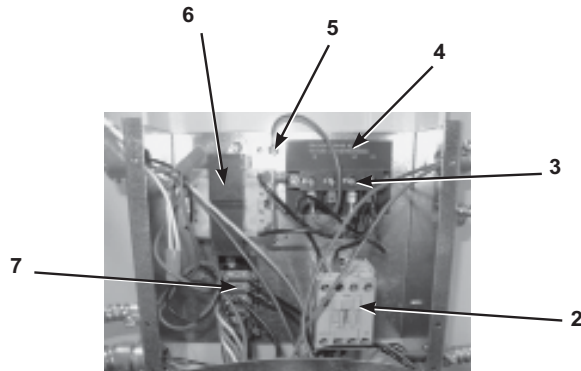
Key	Part Number	Description	Quantity
1	9041-076-001	Box, Door Switch .....	1
2	9550-159-001	Shield, Door Switch .....	1
3	9539-461-001	Switch, Door .....	1
4	8640-401-001	Nut, Special Twin #4-40 .....	1
5	9545-020-001	Screw, Pn Hd Sl.#4-40x5/8 .....	2
6	9074-255-001	Cover, Switch Box.....	1
7	9545-008-020	Screw, Box Cover 10 AB x 3/4" .....	2
8	9008-004-001	Actuator, Switch.....	1
*	8220-001-221	Door Switch Harness Wires, 45" (black) .....	1
*	8220-001-222	Door Switch Harness Wires, 45" (blue) .....	1
9	6068-041-002	Conduit Special .....	1
10	9545-012-003	Screw. 10-32 x 1/2" .....	1
*	8641-436-000	Washer, Fiber .....	1
11	8640-413-004	Nut, ElasticStop 10 -32.....	1

\* Not Illustrated



# Rear Control Group

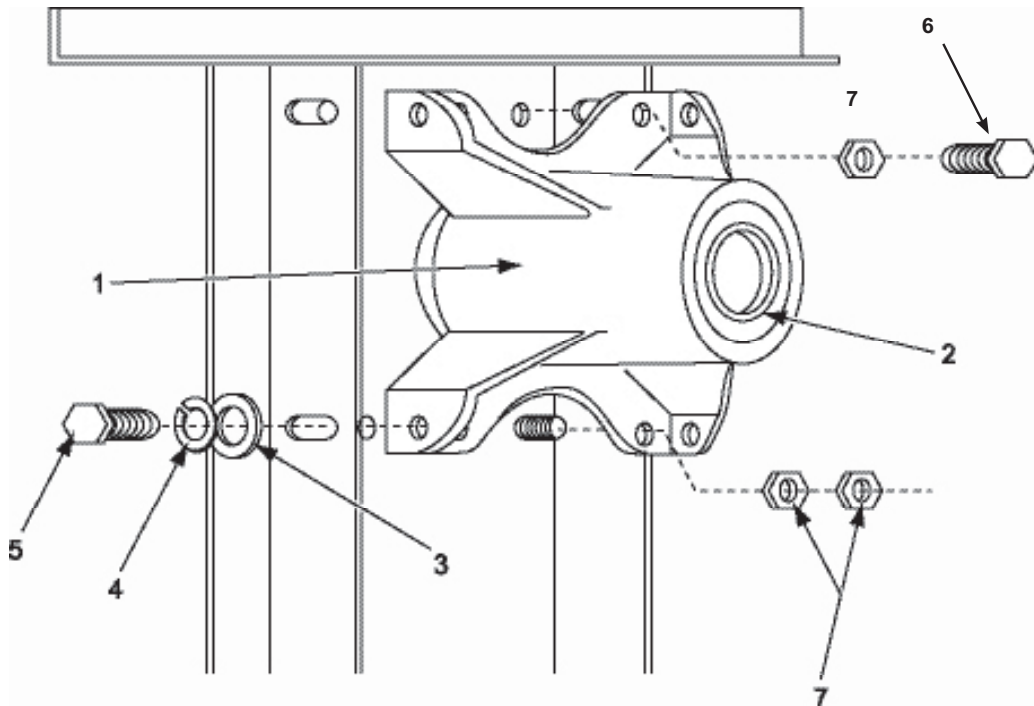
Key	Part Number	Description
1	9041-081-001	Box , Control ..... 1
*	9074-304-001	Cover, Control Box Upper ..... 1
*	9545-008-024	Screw 10AB x 3/8" ..... 4
2	5192-295-011	Relay (Large)..... 1
*	9545-044-002	Screw, #8ABx 3/8..... 2
3	9897-035-002	(4 Pole) Terminal Block Assembly, Power..... 1
4	9558-029-003	Strip , Terminal Marker (4 Pole) ..... 1
*	9545-045-002	Screw, #8ABx 3/8..... 2
*	8641-582-006	Lockwasher, Ex Tooth # 10 ..... 1
*	9074-305-001	Cover control box lower ..... 1
5	8639-621-007	Screw #10-32 x 1/2 GRN ..... 1
*	8640-411-003	Nut Hexkeps #6-32 ..... 2
6	8711-007-001	Transformer ..... 1
*	9545-012-009	Screw--#10-32 x 1/2" Mount Transformer..... 2
*	8640-413-002	Nut Hexkeps #10-21 UNF Mount Transformer..... 2
*	8220-001-230	Wire Assembly Black/Red 8 1/2" ..... 1
*	8220-001-231	Wire Assembly Black/Blue..... 1
*	8220-001-452	Wire Assembly White 12 1/4" ..... 1
*	8220-001-478	Wire Assembly Green 7"..... 1
*	8220-067-001	Wire Assembly Black/Red 7 3/4" ..... 1
*	8220-067-002	Wire Assembly Black/Blue 7 3/4"..... 1
7	9897-034-001	Terminal Block Assembly (6 pole)..... 1
*	9558-027-001	Strip Terminal Marker (6 pole)..... 1
*	8220-001-230	Wire Assembly Black/Red 8 1/2" Jumper ..... 1



## Bearing Housing Group

Key	Part Number	Description	
*	9803-189-001	Housing, Bearing Ass'y w one( rear ) bearing .....	1
1	9241-183-003	Housing, Bearing .....	1
2	9036-159-001	Bearing, Ball-Rear.....	1
*	9036-159-002	Bearing, Ball-Front.....	1
3	8641-581-026	Washer, Flat 1/2".....	4
4	8641-582-004	Lockwasher spring 1/2".....	4
5	9545-017-004	Bolt, 1/2-13x1.....	4
6	9545-059-003	Screw, 7/16-14x1 1/2 .....	2
*	8641-582-013	Lockwasher, 7/16 .....	2
7	8640-416-001	Nut, 7/16-14. ....	4
*	9487-234-001	Ring, Tolerance.....	1

\* Not Illustrated



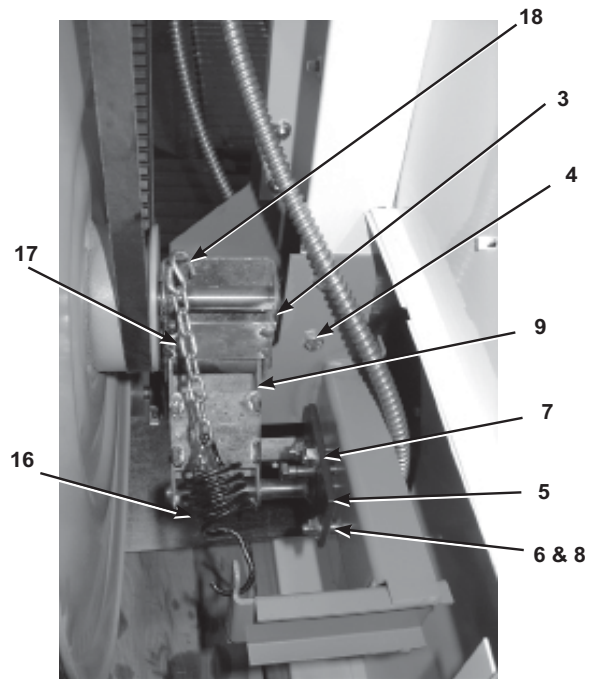
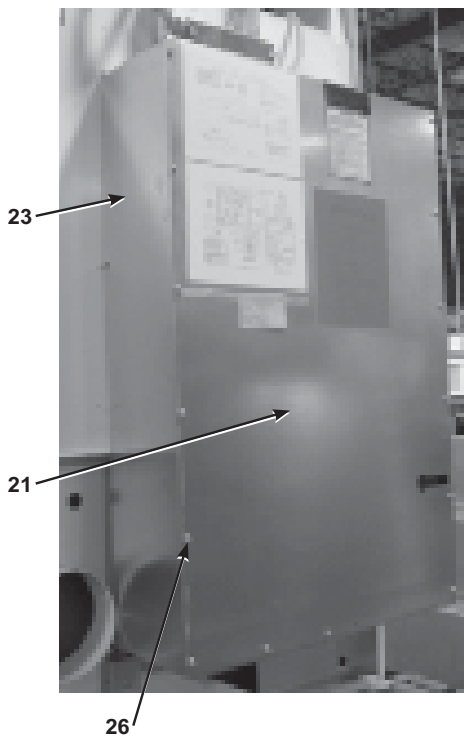
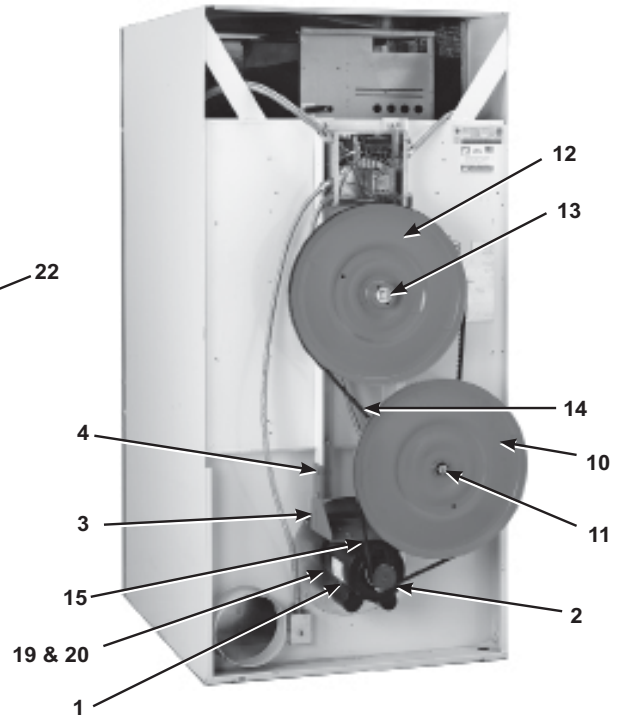


## Drive Group

Key	Part Number	Description	Quantity
1	9376-299-002	Motor, Drive.....	1
*	9545-014-004	Screw, Hx 5/16-18 x 5/8".....	4
*	8640-400-003	Nut 5/16-18.....	4
2	9453-157-001	Pulley, Motor .....	1
*	9545-028-013	Screw, Set.....	2
3	9991-054-002	Support Assembly, Motor.....	1
4	9545-029-005	Screw 3/8-16 x 1 1/4".....	4
4	8640-415-004	Nut 3/8-16 .....	4
5	9991-053-001	Support Assembly, Intermed. Pulley.....	1
6	9545-029-010	Bolt, Rd Hd, 3/8-16 x 1 1/4".....	3
7	9545-029-003	Screw, 3/8-16 x 1 1/2".....	1
8	8640-415-004	Nut 3/8-16 .....	3
*	8641-581-035	Washer, Flat.....	4
9	9861-024-003	Arm Assembly-Tension.....	1
*	8641-581-035	Washer, Flat.....	1
*	9487-200-006	Ring-Retaining .....	1
10	9908-042-006	Pulley Assembly, Intermediate - w/bearings .....	1
11	9036-159-007	Bearing, Ball-Idler Pulley .....	2
*	9538-173-002	Spacer, Bearing .....	1
12	9908-043-002	Pulley Driven.....	1
*	9487-234-001	Ring, Tolerance.....	1
13	8641-581-026	Washer, Flat.....	1
13	8641-582-016	Lockwasher.....	1
13	9545-017-009	Screw, Hx Cap .....	1
14	9040-077-004	Belt, Final Drive.....	1
15	9040-077-003	Belt, Motor Drive .....	1
16	9534-151-000	Spring, Belt Tension.....	1
17	9099-012-002	Chain, Spring Tension.....	1
18	9248-022-002	Hook, Tension.....	1
21	9208-067-001	Guard, Drive.....	1
22	9454-685-001	Panel, Drive Guard, RH .....	1
23	9454-686-001	Panel, Drive Guard, LH.....	1
24	9550-175-001	Shield, Motor.....	1
25	9545-008-003	Screw .....	2
26	9545-008-024	Screw (to attach to guards above).....	24
19	9074-275-004	Blower Impeller Cover (flat).....	1
20	9074-275-005	Blower Impeller Cover (formed).....	1

\* Not Illustrated

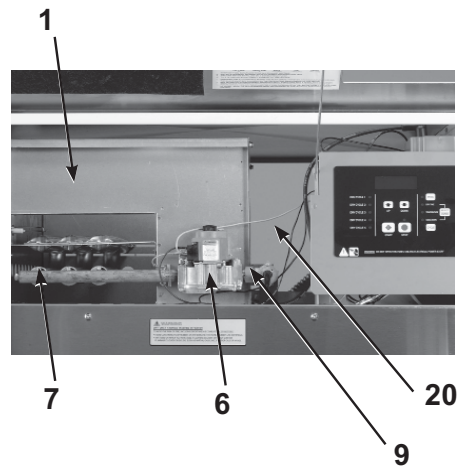
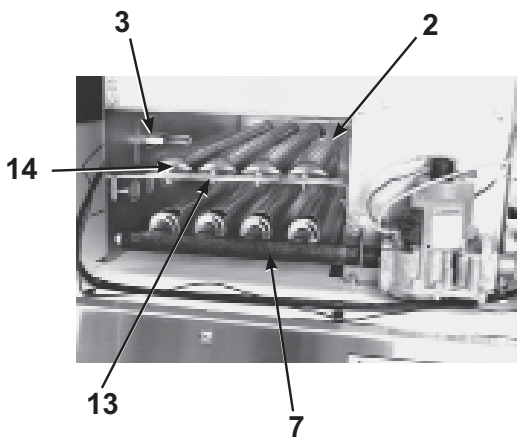
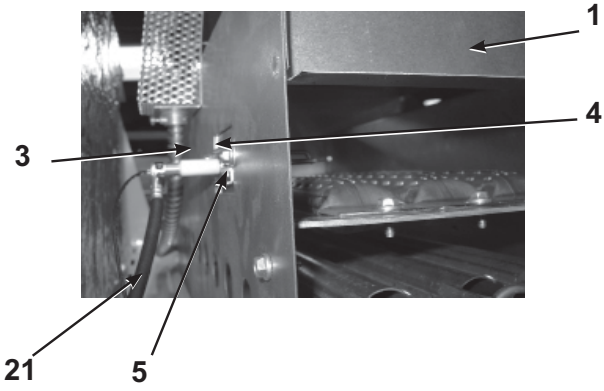
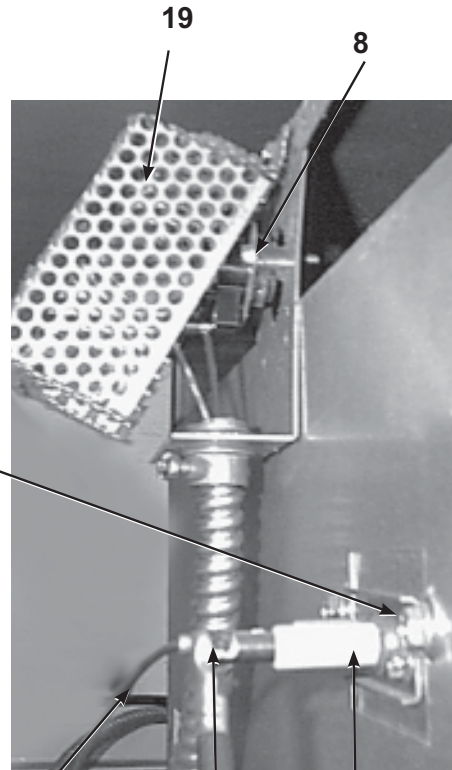
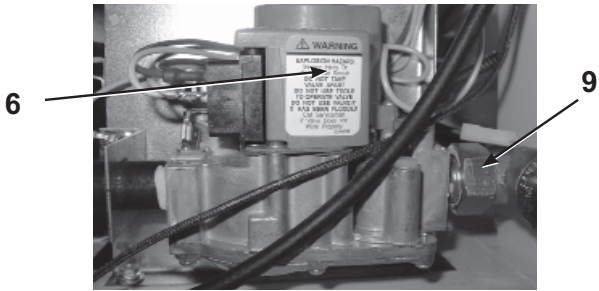




# Burner Housing Group

Key	Part Number	Description	
1	9803-195-001	Housing Assembly, Burner.....	1
*	9545-008-024	Screw .....	4
2	9048-018-001	Burner, Main.....	4
*	9545-008-008	Screw 10T-32 x 1/2 .....	4
3	9875-002-002	Electrode, Ignition .....	1
4	9452-645-001	Plate, Electrode Mtg.....	1
5	9545-045-001	Screw, Electrode Mtg 8B x 11/4" .....	2
6	9857-134-002	Control Assy, Gas .....	1
7	9381-011-001	Manifold, Assy 4 port .....	1
*	9425-069-021	Orifice, Burner-Natural .....	4
*	9425-069-022	Orifice, Burner-LP .....	4
8	9576-203-002	Thermostat, Hi-Limit .....	1
*	9538-142-001	Spacer, Hi-Limit.....	2
*	9545-045-007	Screw 8B x 3/4".....	2
19	9074-234-001	Cover, Hi-Limit Stat .....	1
*	9545-008-024	Screw 10 B x 3/8".....	1
*	9857-116-003	Control, Ignition (Gray Box).....	1
*	9545-044-002	Screw 6-32 x 1" .....	2
*	8640-411-003	Nut, Hex Keps #6-32.....	2
*	9897-026-001	Terminal Block Power (Inside Control Panel).....	1
*	9545-031-004	Screw 6 AB x 5/8" .....	2
*	9039-915-001	BRACKET, Pipe gas line.....	1
*	9545-008-003	Screw 6AB x 5/8" .....	2
21	9631-403-003	Wire Ass'y, High Voltage.....	1
20	9627-711-001	Harness, Low Voltage Ignition .....	1
*	9054-045-001	Fuseholder .....	1
*	8636-018-001	Fuse 1.5 amps.....	1
*	8711-007-001	Transformer, Control (In rear control box).....	1
*	9545-008-026	Screw, #10x1/2" .....	2
*	9732-102-010	Kit, LP Conversion 4 Burner .....	1
13	9548-280-001	Support, Front Burner .....	1
14	9545-008-008	Screw 10T-32 x 1/2" .....	1
*	9454-731-001	Left side burner housing .....	1
*	9454-730-001	Right side burner housing .....	1
9	9379-164-002	Valve, Gas Shut-Off w/ brass union.....	1
*	9458-020-003	Pipe, Gas Line.....	1
*	9454-737-001	Front Side Burner Housing.....	1

\* Not Illustrated

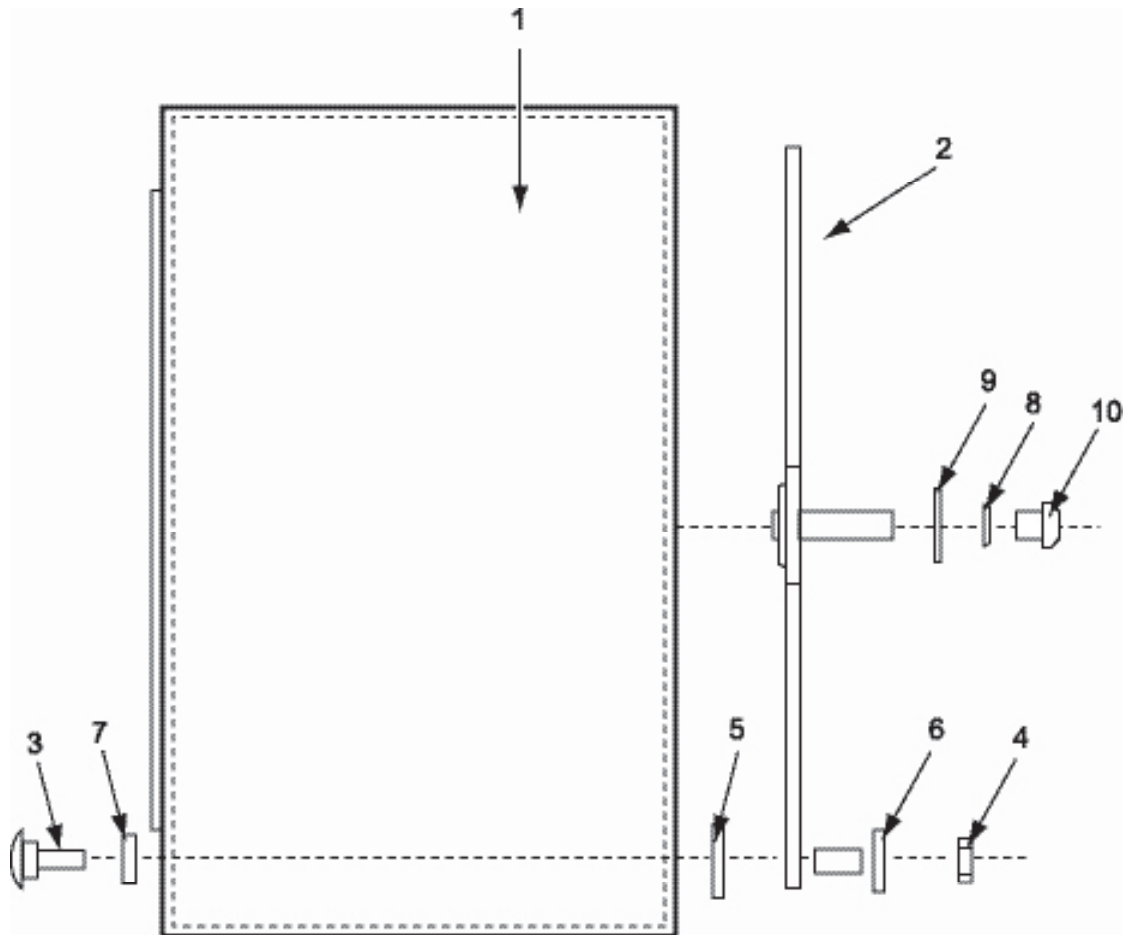


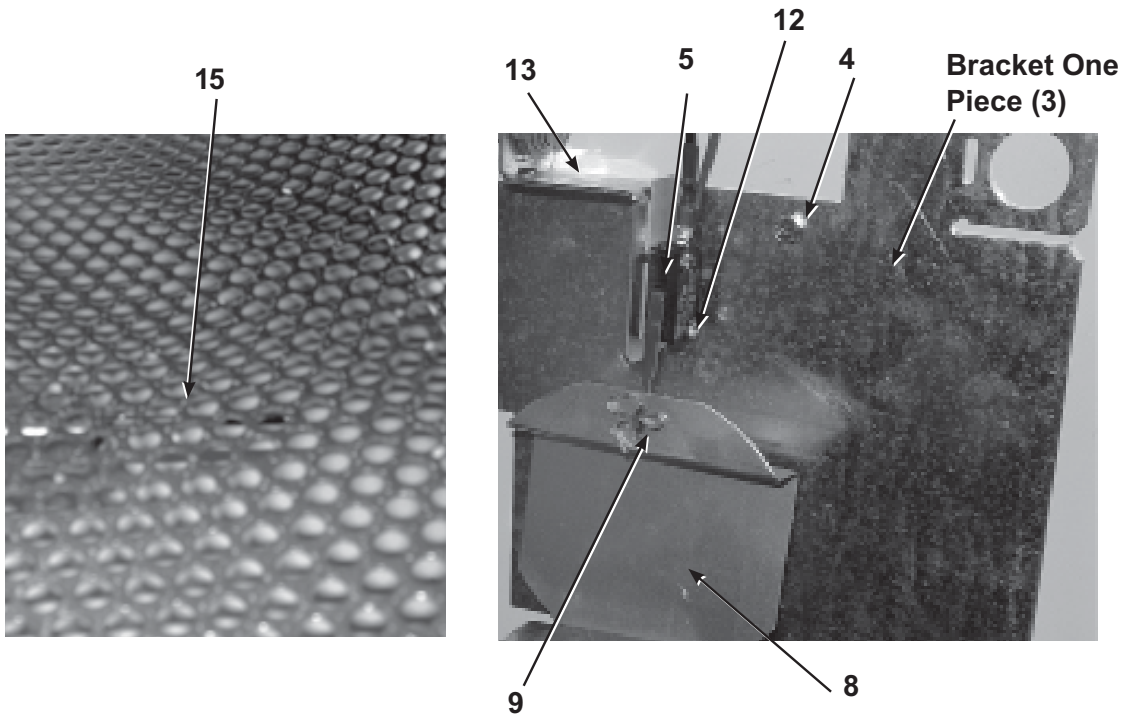
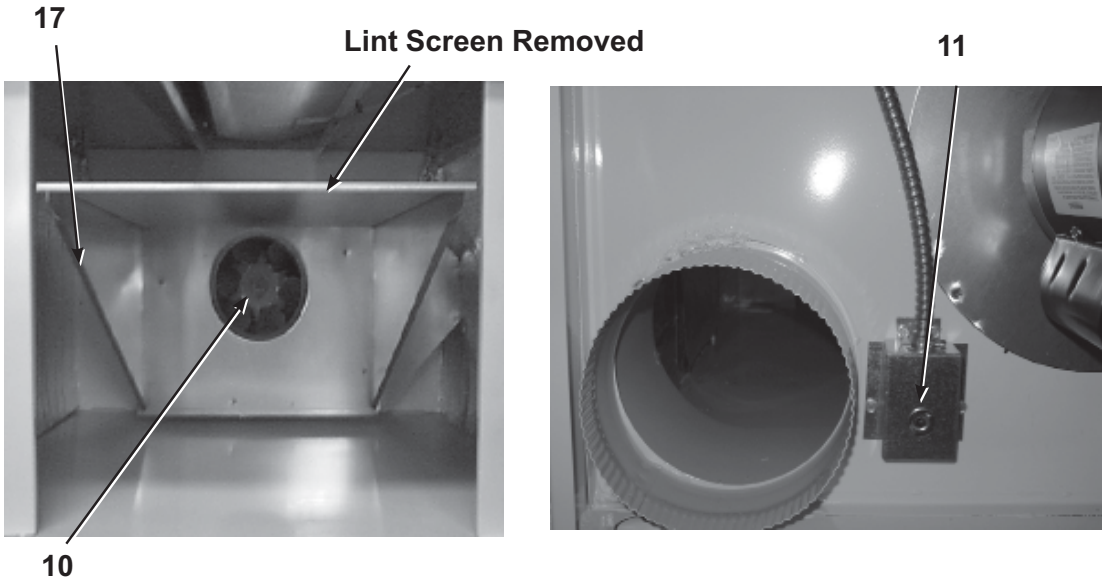


## Tumbler Basket Group

Key	Part Number	Description	
1	9848-118-001	Tumbler Assembly .....	1
2	9873-005-001	Spider Assembly with bearing on .....	1
3	9497-226-001	Rod, Tumbler.....	4
4	8640-417-005	Nut 1/2"-13.....	4
5	9552-013-000	Shim .....	4
7	8641-590-001	Washer, Tumbler Rod Special.....	4
*	9487-234-001	Ring, Tolerance.....	1
8	8641-582-016	Lock Washer ext tooth 1/2", Tumbler Shaft.....	1
9	8641-581-026	Flat Washer 1/2",Tumbler Shaft.....	1
10	9545-017-009	Screw, Tumbler Shaft 1/2-13 x 11/4".....	1
*	9848-118-002	Tumbler Ass'y SS.....	1

\* Not Illustrated

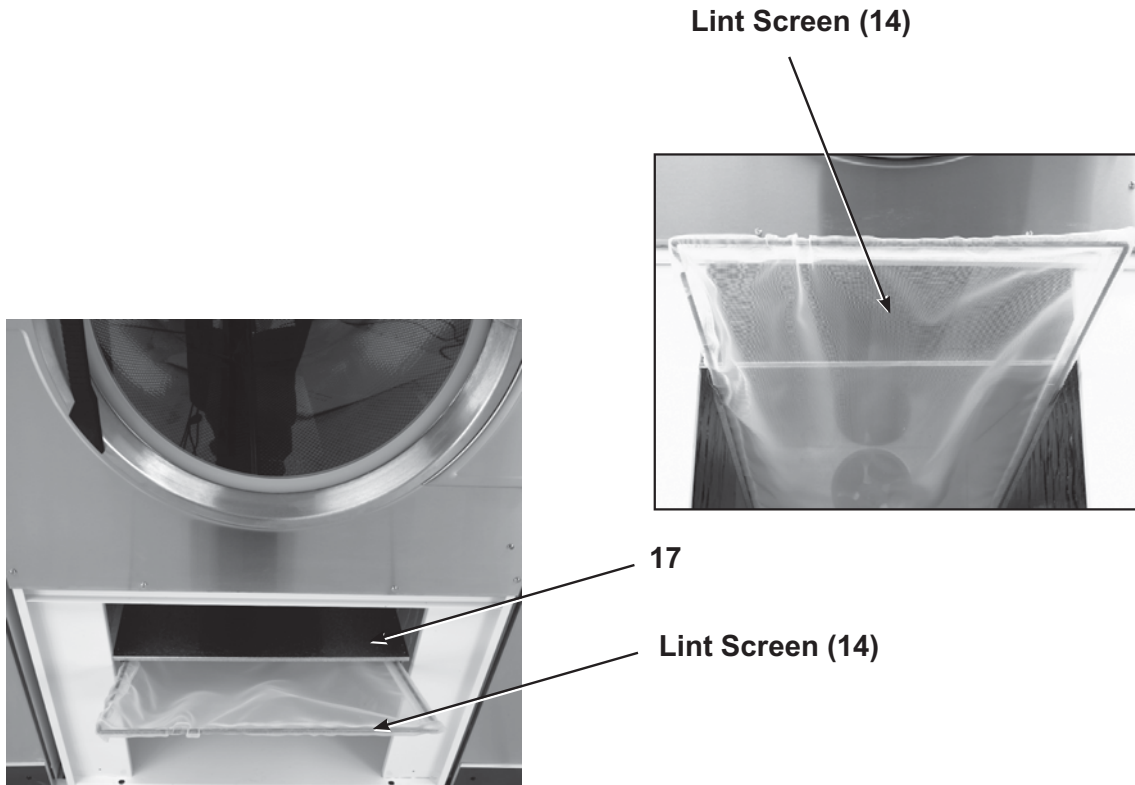




## Blower Impeller and Air Flow Switch Group and Over Temperature Switch

Key	Part Number	Description	Quantity
3	9029-135-001	Bracket -Switch One Piece .....	1
4	9545-008-024	Screw-10B x 1/4 .....	2
5	9539-461-009	Switch-Micro .....	1
12	9545-020-001	Screw 4-40 x 5/8 .....	2
*	8640-401-001	Nut Twin .....	1
8	9008-007-001	Actuator-Switch .....	1
9	9451-169-002	Pin Cotter .....	1
13	9039-575-000	Bracket Conduit.....	1
11	9825-057-002	Over-tempcoverass'y .....	1
*	9576-207-006	Thermostatover-tempMnl. ....	1
*	9545-008-024	Screw 10B x 3/8 .....	2
*	9550-169-003	Shield for macro switch.....	1
17	9834-009-001	Hood Assembly, Lint .....	1
*	8640-412-004	Nut, Whizlock .....	6
14	9822-031-002	Lint Screen 34" length (newest style ).....	1
10	9278-037-003	Impeller, w/set screws .....	1
15	9501-004-002	Temperature Sensor Probe.....	1

\* Not Illustrated





## Wires & Harness Group

Key	Part Number	Description	
*	8220-001-486	BRN 26" .....	1
*	8220-001-499	BLK 26" .....	1
*	8220-101-002	BLK 64" .....	1
*	8220-101-007	Wire Assembly VIO 54" .....	1
*	8220-101-004	Wire Assembly BRN 54" .....	1
*	2114-008-000	Bushing Anti Short .....	1
*	8220-001-221	Door Switch Wire Assembly BLK 45" .....	1
*	8220-001-222	Door Switch Wire Assembly BLU 45" .....	1
*	8220-001-461	Wire Assembly WHT 58" .....	1
*	8220-062-007	Wire Assembly BLK 74" .....	1
*	8220-064-001	Wire Assembly GRY 61" .....	1
*	8220-064-012	Wire Assembly RED 61" .....	1
*	8220-065-021	Wire Assembly VIO 61" .....	1
*	8640-276-003	Wire Nut #73 B ORG .....	1
*	8220-103-003	Wire Assembly GRY 64" .....	1
*	8220-001-230	Wire Assembly BLK/RED 8.5" .....	1
*	8220-001-231	Wire Assembly BLK/BLU 6.5" .....	1
*	8220-001-452	Wire Assembly WHT 12" - 4" .....	1
*	8220-001-478	Wire Assembly GRN 7" .....	1
*	8220-067-001	Wire Assembly BLK/RED 7 3/4" .....	1
*	8220-067-002	Wire Assembly BLK/BLU 7 3/4" .....	1
*	8220-001-466	Wire Assembly Yellow 4 7/8" .....	1
*	9627-711-001	Low Voltage Harness .....	1
*	9637-403-003	High Voltage Harness .....	1
*	8220-001-290	Wire Assembly BLK 20" .....	1
*	9627-679-002	Wire Harness Heat Sensor .....	1

## Label Group

Key	Part Number	Description	
*	8507-256-001	Instructions Uncrating .....	1
*	8514-072-001	Owners Booklet .....	1
*	8507-350-001	Instructions Dry Install / Start-Up .....	1
*	8507-330-001	Instructions TVSS .....	1
*	9345-899-001	Wiring Schematic .....	1
*	9345-890-001	Wiring Diagram .....	1
*	8511-001-002	Label Quality .....	1
*	8502-658-001	Label Fire Hazard .....	1
*	8527-115-001	Label Decal Lighting and Clearance .....	1
*	8502-645-001	Label Instructions .....	1
*	8502-600-001	Label Warning and Notice .....	1

## Rear Guard Group

Key	Part Number	Description	
*	9208-067-001	Drive Guard .....	1
*	9454-685-001	Right Side Panel Drive Guard .....	1
*	9454-686-001	Left Side Panel Drive Guard .....	1
*	9550-175-001	Motor Shield .....	1
*	9545-008-003	Screw 10-16 x 1/2 TEK .....	2
*	9545-008-024	Screw 10 B x 1/4 .....	24

## Electric Heated Dryers Electrical Parts All Types of KW

### DCTD80 HC \_ 16 FH 208/60/3 35KW

Key	Part Number	Description	
*	5192-294-001	Relay - 125A.....	1
*	9377-003-001	Variator Coil Supply .....	1
*	5198-213-005	Circuit Breaker 3 Pole .....	2
*	8220-057-014	Wire Assembly Blk .....	3
*	9345-917-001	Schematic .....	1
*	9345-918-001	Diagram.....	1
*	9870-088-006	Heater Elements .....	2
*	5192-295-011	Relay .....	1
*	8502-711-001	Warning Label 208V.....	1
*	8220-057-004	Wire Brown 30" .....	1
*	8220-057-007	Wire White/Black 45" .....	1
*	8220-057-008	Wire Black 45" .....	1
*	8220-057-011	Wire Violet 32" .....	1
*	8220-057-015	Wire Black 8" .....	6
*	8220-057-019	Wire White 8" .....	1
*	8220-061-008	Wire Black 36" .....	4
*	8220-061-010	Wire Black 48" .....	2
*	8220-078-008	Wire Black 9" .....	2
*	8220-078-011	Wire White 45" .....	1
*	8220-078-012	Wire Red 45" .....	1
*	8502-614-004	Label High Voltage .....	1
*	8502-708-001	Label Exhaust Warning.....	1
*	8514-092-001	Owners Book .....	1
*	9029-127-001	Guard Bracket Mounting .....	1
*	9208-053-001	Guard Front Cabinet Cover .....	1
*	9208-056-001	Guard Rear Cabinet Cover .....	1
*	9074-289-001	Cover Plate Control Box.....	1
*	9210-117-001	Gussett Control Box.....	1
*	9548-282-001	Support Wire .....	2
*	9074-288-001	Cover Plater Heater.....	1
*	9636-151-001	Wrapper Heat Housing LH .....	1
*	9636-152-001	Wrapper Heat Housing RH .....	1
*	9550-181-001	Shield Side Heathousing.....	2
*	9577-056-001	Top Heater Housing Half.....	2
*	9053-067-004	Bushing Insulated 1" .....	6
*	9577-057-001	Top Box Control .....	1
*	9636-153-001	Wrapper Box Control.....	1
*	9058-025-001	Bottom Box Control.....	1
*	9053-067-004	Bottom Bushing Insulated .....	2
*	9295-004-001	Formed Jumper.....	2
*	9295-005-001	Straight Jumper.....	4
*	9488-010-003	Din Rail 4 3/4" .....	1
*	9897-037-001	Power Block 3 Pole .....	1
*	9897-038-001	Power Block 1 Pole .....	1
*	9209-087-001	Grommett .....	1
*	8640-399-004	Nut Spring .....	1
*	8640-399-009	Nut Spring U Type .....	4
*	8502-639-001	Label Warning .....	1
*	8502-702-001	Label Warning Fire Hazard (French).....	1
*	8652-134-002	Terminal Lug Solderless .....	1

## Electric Heated Parts Model Specific

### DCTD 80H\_\_ 18 FG 240/60/3 30 KW

Key	Part Number	Description	
*	5198-213-003	Circuit Breaker 3 Pole .....	2
*	5192-285-004	Relay .....	1
*	9870-088-002	Heater Elements .....	2
*	9345-965-001	Schematic .....	1
*	9345-966-001	Diagram .....	1
*	8220-057-014	Wire Black 8" .....	1
*	5192-294-001	Relay 125A .....	1

### DCTD 80H\_\_ 16 FE 208/60/3 30 KW

Key	Part Number	Description	
*	9345-963-001	Schematic .....	1
*	9345-964-001	Diagram .....	1
*	5198-213-004	Circuit Breaker 3 Pole .....	2
*	5192-285-004	Relay .....	1
*	5192-294-001	Relay 125 amp Resistive Contact .....	1
*	9870-088-001	Heater Elements .....	2
*	8220-057-014	Wire Black 8' .....	1