

NOTES TO USE PARTS LIST

Sheets no. 1, 2, 3, 4, 5, 6, 7, 8, 9 & 10:
Are common for all versions.

Sheet no. 11:
The top just refers to machines with third water inlet.

Sheet no. 12:
Relates to steam heated machines.

Sheet no. 13:
Relates to "TILT" system machines only.

Sheet no. 14:
Relates to machines equipped with second drain.

ACLARACIONES PARA EL USO DEL DESPIECE

Las hojas nº1, 2, 3, 4, 5, 6, 7, 8, 9 y 10:
Son comunes a todas las variantes.

La hoja nº 11:
La parte superior es sólo para las máquinas con tercera entrada de agua.

La hoja nº 12:
Corresponde a las máquinas con calefacción a vapor.

La hoja nº 13:
Es sólo para las máquinas con sistema "VOLQUETE"

La hoja nº 14:
Corresponde a las máquinas con segundo desagüe.

NOTES UTILISATION VUES ECLATEES

Les feuilles no.1, 2, 3, 4, 5, 6, 7, 8, 9 et 10:
Sont communes à toutes les versions.

La feuille no. 11:
La partie supérieure est seulement pour les machines à troisième arrivée d'eau.

La feuille no. 12:
Correspond aux machines à chauffage à vapeur.

La feuille no. 13:
Est seulement pour machines avec système "BASCULANT"

La feuille no. 14:
Correspond à machines avec deuxième vidange.

VERY IMPORTANT:
Before ordering parts be sure they have not been modified. Check it on yellow sheet.

MUY IMPORTANTE:
Al pedir una pieza cerciorarse antes de que la misma no ha sido modificada. Si lo hubiese sido, estaria situada en hoja amarilla.

TRES IMPORTANT:
Avant de commander une pièce, s'assurer qu'elle n'a pas été modifiée. Le verifier sur feuille jaune.

**PRINTED
IN
SPAIN**

From
A partir
A partir

1090001

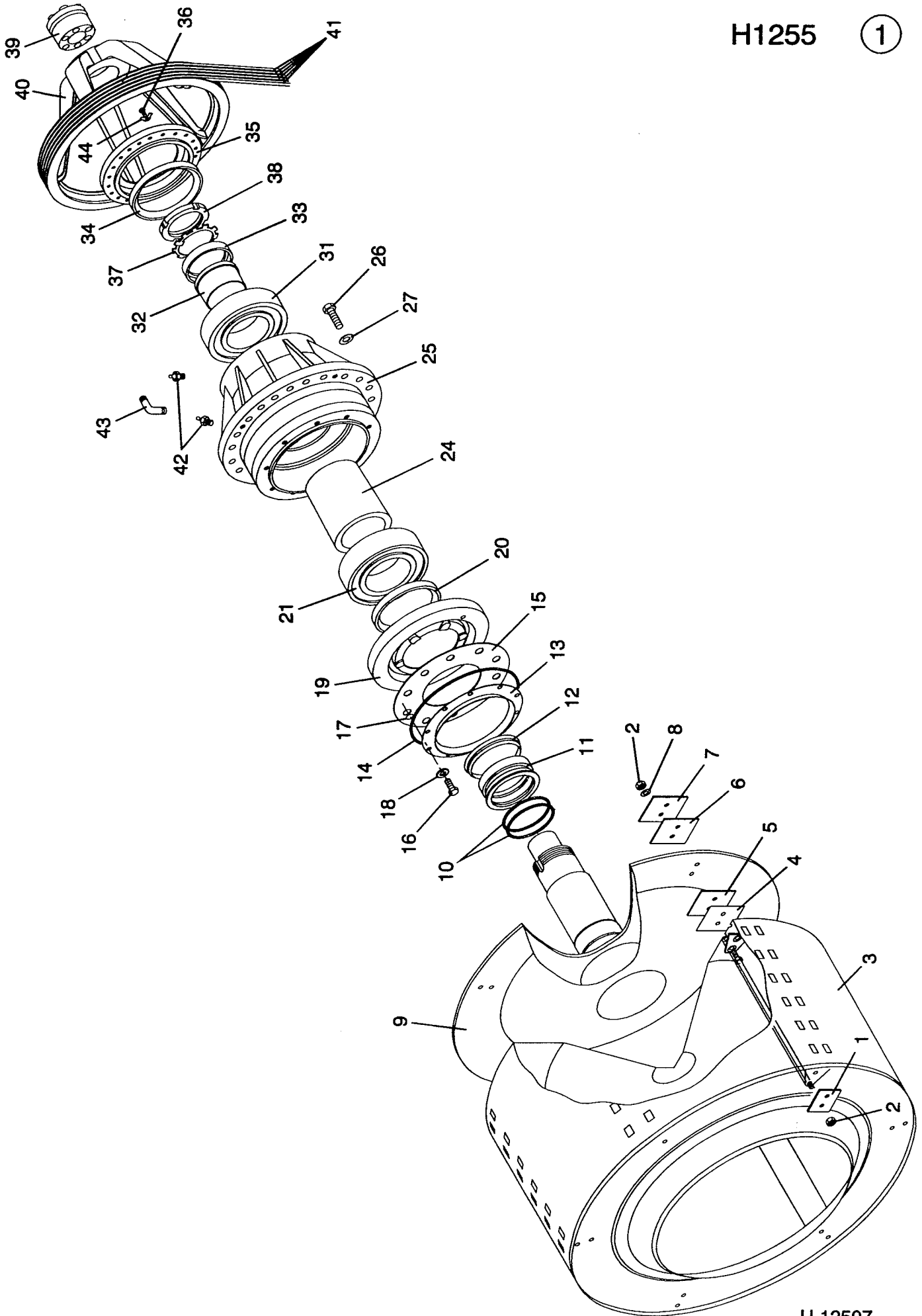
To
Hasta
Jusqu'à

.....

H1255

Cod. n° 284075 A

Rev. n° 00/0796



Nº	REF.	DENOMINATION	DENOMINACION	DÉNOMINATION
1	253377	BASKET SHOVEL RENFORT	REFUERZO PALA TAMBOR	REFORT PALETTE TAMBOR
2	149989	INOX HEX NUT DIN934 M20	TUERCA EX. INOX DIN934 M20	ECROU HEX INOX DIN934 M20
3	251967 *	BASKET BODY	CUERPO TAMBOR	CORPS TAMBOR
4	245951	BASKET CENTERING PIECE	PIEZA CENTRADO TAMBOR	PIECE CENTRAGE TAMBOR
5	250639	BASKET CENTERING PIECE	PIEZA CENTRADO TAMBOR	PIECE CENTRAGE TAMBOR
6	251538	BASKET BALANCING PIECE	PIEZA EQUILIBRADO TAMBOR	PIECE EQUILIBRE TAMBOR
7	251504	BASKET BALANCING PIECE	PIEZA EQUILIBRADO TAMBOR	PIECE EQUILIBRE TAMBOR
8	184424	INOX A2 WASHER DIN125 21	ARAN. DIN125 INOX A2 21	RONDELLE INOX A2 DIN125 21
9	251983	BASKET COUPLING	ACOPLAMIENTO TAMBOR	ASSAMBLAGE TAMBOR
10	185579	TORIC GASKET 180X203,85X6,99	JUNTA TORICA 189X203,85X6,99	JOINT TORIQUE 180X203,85X6,99
11	185249	SEAL RING	ANILLO RETENES	BAGUE RESERVES
12	185603	RING V-RING V-220 A VITON	ANILLO V-RING V-220 A VITON	BAGUE V-RING V-220 A VITON
13	255703	V-RING PROTECTION	PROTECCION V-RING	PROTECTION V-RING
14	185561	TORIC GASKET EPIDOR OR-420X10	JUNTA TORICA EPIDOR OR-420X10	JOINT TORIQUE EPIDOR OR-420X10
15	255653	SEAL COVER	TAPA RETEN	COUVERCLE RESERVE
16	185629	INOX HEX SCREW DIN933 M10X80	TOR.EX. INOX DIN933 M10X 80	VIX HEX INOX DIN933 M10X80
17	147991	TORIC GASKET 10X23X6,5	JUNTA TORICA 10X23X6,5	JOINT TORIQUE 10X23X6,5
18	254144	WASHER D35XD10X6	ARANDELA 35X10X6	RONDELLE D35XD10X6
19	255646	FRONT SEAL COVER	TAPA RETEN ANTERIOR	COUVERCLE RESERVE AVANT
20	185587	SEAL 230X260X15 BA-SL	RETEN 230X260X15 BA-SL	RESERVE 230X260X15 BA-SL
21	185504	BEARING NU-2238E	RODAMIENTO NU-2238E	ROULEMENT NU-2238E
24	255604	BEARING END PIECE	TOPE COJINETES	ARRET ROULEMENTS
25	266981	BEARING BOX	CAJA COJINETES	BOITE ROULEMENTS
26	147082	HEX SCREW 8G DIN933 M16X60	TOR.EX. DIN933-8.8 BICR. M16X 60	VIS HEX. 8G DIN933 M16X60
27	149385	BICR. WASHER B DIN125-ST 17	ARAN. B DIN125-ST BICR. 17	RONDELLE B DIN125-ST BICR. 17
31	185512	BEARING 23036CCK/W33	RODAMIENTO 23036 CCK/W33	ROULEMENT 23036CCK/W33
32	185520	DISASSEMBLY SLEEVE AH-3036	MANGUITO DESMONTAJE AH-3036	MANCHON DEMONTAGE AH-3036
33	185256	SEAL RING	ANILLO RETEN	BAGUE RESERVE
34	185595	SEAL 220X250X15 BA	RETEN 220X250X15 BA	RESERVE 220X250X15 BA
35	263541	REAL SEAL COVER	TAPA RETEN POSTERIOR	COUVERCLE RESERVE ARRIERE

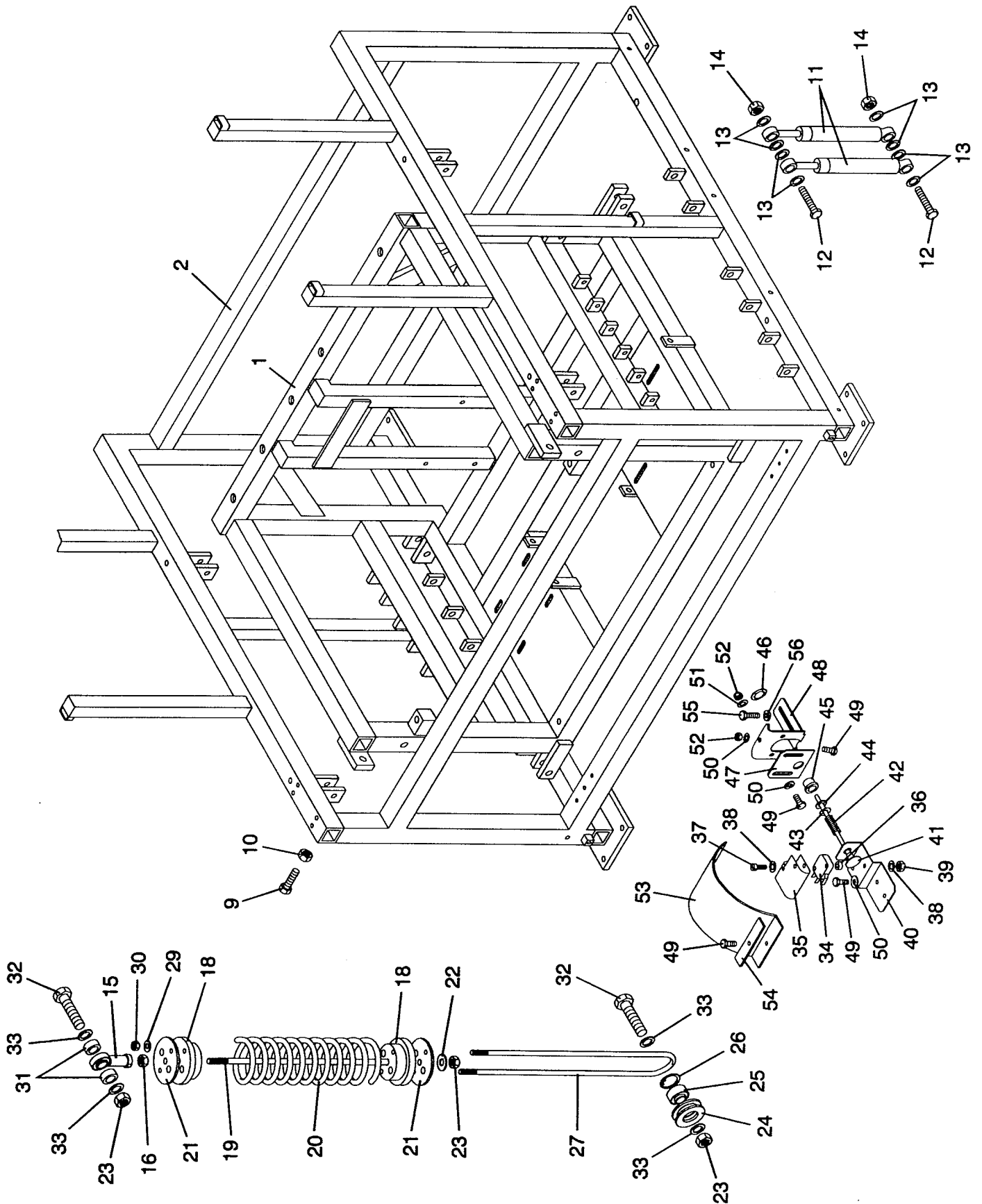
Nº	REF.	DENOMINATION	DENOMINACION	DÉNOMINATION
36	195743	HEX SCREW DIN933-8.8 M 6X 40	TOR.EX.DIN933-8.8 BICR.M 6X 40	VIS HEX. DIN933-8,8 M 6X 40
37	185397	LOCKING WASHER MB-34	ARANDELA CIERRE MB-34	RONDELLE FERMETURE MB-34
38	185546	FIXING NUT KM-34	TUERCA FIJACION KM-34 FAG	ECROU FIXATION KM-34
39	185538	SELFCENT.FIX. UNIT 5B 100X145	UNIDAD FIJ.AUTOCENT.5B 100X145	UNITE FIX.SELFCENT.5B 100X145
40	255588	BASKET PULLEY	POLEA TAMBOR	POULIE TAMBOUR
41	185181	TRAPEZOIDAL BELT SPA-3182	CORREA TRAPEZOCIAL SPA-3182	COURROIE TRAPEZOIDALE SPA-3182
42	177378	PRES.GREASE-CUP1/4"STRAIGHTGAS	ENGRASADOR PRES.1/4"GAS RECTO	GRAISEUR PRES.1/4"GAZ DROIT
43	122531	HOSE ELBOW 5/8" RE. 46610	CODO MANGUERA 5/8"REF.46610	COUDE TUYAU 5/8" RE. 46610
44	195735	SAFETY WASHER 6,4 DIN 463	ARANDELA SEGURIDAD 6,4 DIN 463	RONDELLE SECURITE 6,4 DIN 463

* 252007 COMPLETE BASKET (WITH SHAFT)

TAMBOR COMPLETO (CON EJE)

TAMBOUR COMPLET (AVEC AXE)

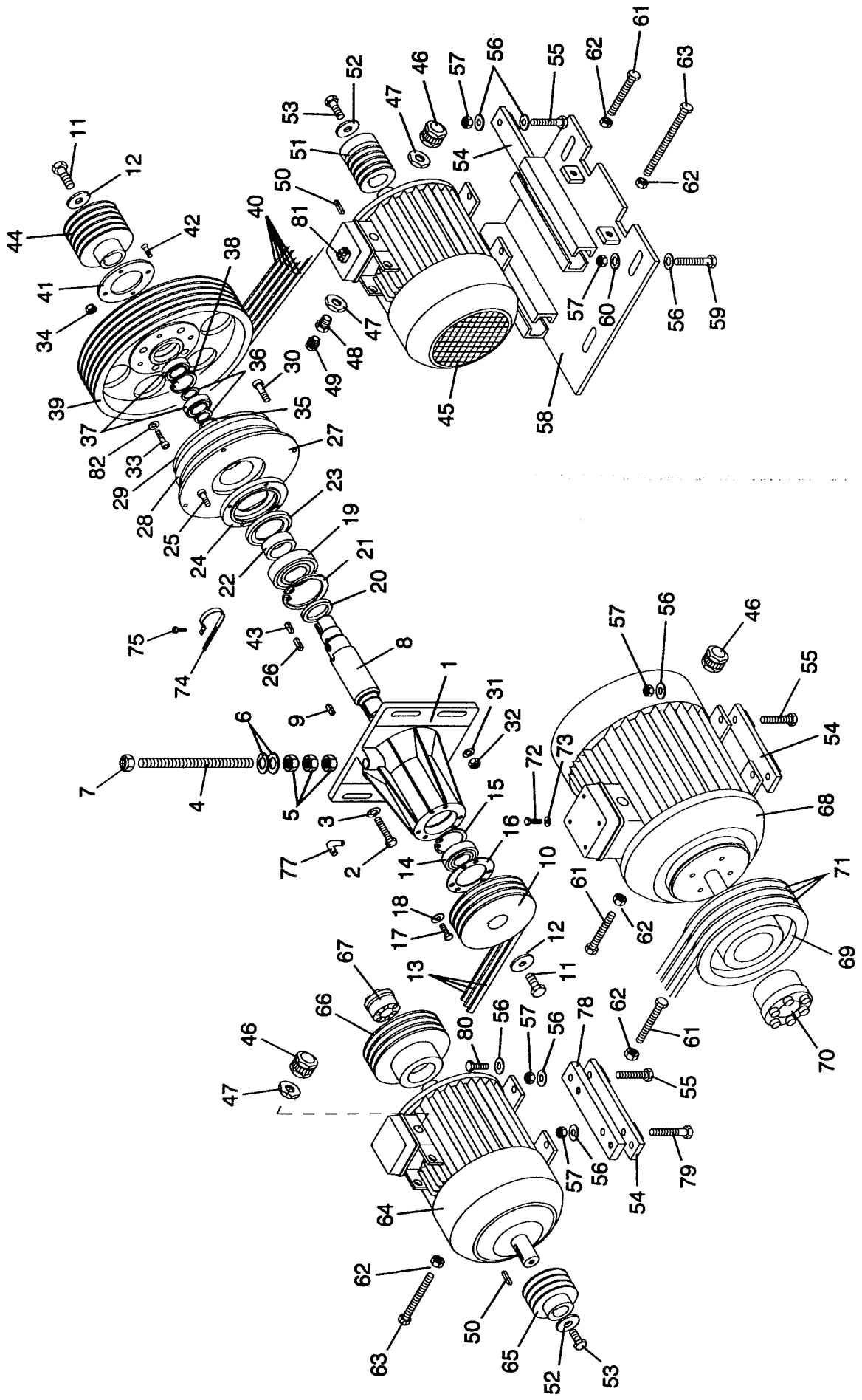




Nº	REF.	DENOMINATION	DENOMINACION	DÉNOMINATION
1	206706	SUSPENDED CHASSIS	CHASIS FLOTANTE	CHASSIS SUSPENDU
2	206714	FIXED CHASSIS	CHASIS FIJO	CHASSIS FIXE
9	147082	HEX SCREW 8G DIN933 M16X60	TOR.EX.DIN933-8.8 BICR.M16X 60	VIS HEX. 8G DIN933 M16X60
10	150276	BICR HEX.NUT DIN934-8 M-16	TUER.EX.DIN934-8 BICR.M16	ECROU HEX.DIN934-8 BICR M-16
11	175091	FRICTION SHOCK-ABSORBER	AMORT.FRICC.154001027605 180N	AMORTISSEUR FRICTION
12	191858	HEX. SCREW 8G DIN931 M10X90	TOR.EX.DIN931-8.8 BICR.M10X 90	VIS HEX. 8G DIN931 M10X90
13	149500	BICR.WASHER B DIN125-ST 10,5	ARAN.B DIN125-ST BICR.10,5	RONDELLE B DIN125-ST BICR.10,5
14	150649	SELFBLOCKING NUT DIN 985 M-10	TUER.AUTOBL.DIN985-8 BICR.M10	ECROU AUTOBLOCANT DIN 985 M-10
15	174870	HINGE JOINT HEAD TYPE GIR 17UK	CABEZA DE ROTULA TIPO GIR 17UK	TETE DE ROTULE TYPE GIR 17UK
16	150276	BICR HEX.NUT.DIN934-8 M-16	TUER.EX.DIN934-8.BICR.M16	ECROU HEX.DIN934-8 BICR M-16
18	278440	SUSPENSION CLAMP	BRIDA SUSPENSION	BRIDE SUSPENSION
19	278457	SUSPENSION BAR	VARILLA SUSPENSION	BAGUETTE SUSPENSION
20	300350 *	SUSPENSION SPRING	MUELLE SUSPENSION	RESSORT SUSPENSION
21	278473	CLAMP SUPPLEMENT	SUPLEMENTO BRIDA	SUPPLEMENT BRIDE
22	255992	WASHER 36X17X5	ARANDELA 36X17X6	RONDELLE 36X17X5
23	173260	SELF-BLOCKING NUT DIN 985 M-16	TUER.AUTOBL.DIN985-8 BICR.M16	ECROU AUTOBLOCANT DIN 985 M-16
24	206565	SUSPENSION SLEEVE	CASQUILLO SUSPENSION	FRETTE SUSPENSION
25	185728	RADIAL HINGE JOINT TYPE GE	ROTULA RADIAL TIPO GE 17UK	ROTULE RADIAL TYPE GE 17UK
26	185736	RING SEEGER-V JV-30	ANILLO SEEGER-V JV-30	BAGUE SEEGER-V JV-30
27	278465	SUSPENSION PIECE	HORQUILLA SUSPENSION	PIECE SUSPENSION
29	278861	WASHER 26X12,5X6	ARANDELA 26X12,5X6	RONDELLE 26X12,5X6
30	150656	SELFBLOCKING NUT DIN985 M-12	TUER.AUTOBL.DIN985-8 BICR.M12	ECROU AUTOBLOCANT DIN985 M-12
31	238055	HINGE JOINT SEPARATOR	SEPARADOR ROTULA	SEPARATEUR ROTULE
32	175729	HEX SCREW 8G DIN 931 M-16X100	TOR.EX.DIN931-8.8 BICR.M16X100	VIS HEX 8G DIN 931 M-16X100
33	149385	BICR.WASHER B DIN125-ST 17	ARAN.B DIN125-ST BICR.17	RONDELLE B DIN125-ST BICR.17
34	197046	MINISWITCH 83161.344 I W3	MINIRRUPTOR 83161.344 I W3	MINIRRUPTEUR 83161.344 I W3
35	281113	MICROSWITCH ISOLATION	AISLANTE MICRORRUPTOR	ISOLANT MICRORRUPTEUR
36	175364	PLASTIC SEPARATOR 6MM SP78/10	SEPARADOR PLASTICO 6MM.SP78/10	SEPARATEUR PLASTIQUE 6MM
37	302554	CYL.BICR.SCREW DIN84-4.8 M3X25	TOR.CIL.DIN84-4.8 BICR.M 3X25	VIS.CYL DIN84-4.8 BICR M 3X25
38	149484	BICR.WASHER B DIN125-ST 3,2	ARAN.B DIN125-ST BICR. 3,2	RONDELLE B.DIN125-ST BICR. 3,2

Nº	REF.	DENOMINATION	DENOMINACION	DÉNOMINATION
39	149906	INOX. HEX. NUT DIN 934 M-3	TUERCA EX. INOX DIN934 M 3	ECROU HEX. INOX DIN934 M-3
40	261784	MICROSWITCH DRIVE BRACKET	SOPORTE ACCIONADOR MICRORRUP.	SUPPORT ACTIONNEMENT MICRORRUP
41	189407	MICROSWITCH DRIVE	ACCIONADOR MICRORRUPTOR	ACCIONNEMENT MICRORRUPTEUR
42	189399	MICROSWITCH DRIVE SPRING	MUELLE ACCIONADOR MICRORRUPTOR	RESSORT ACTIONNEMENT MICRORRUP
43	149534	BICR.WASHER B DIN125-ST 5,3	ARAN.B DIN125-ST BICR. 5,3	RONDELLE B BICR.DIN125-ST 5,3
44	147918	QUICK FIXING 211039-6	SUJEC.RAPIDA MIKALOR 211039-6	FIXATION RAPIDE 211039-6
45	278051	MICRO.DRIVE SLEEVE	CASQUILLO ACCIONADOR MICRO	FRETTE ACTIONNEMENT MICRO
46	134924	QUICK FIXING 2110441	SUJEC.RAPIDA MIKALOR 211044-1	FIXATION RAPIDE 2110441
47	278069	MICROSWITH ACTIVATOR END-PIECE	TOPE ACCIONADOR MICRORRUPTOR	ARRET ACCIONNATEUR MICROINT.
48	278093	MICRO ACTIV. END-PIECE BRACKET	SOPORTE TOPE ACCIONADOR MICRO.	SUPPORT ARRET ACCIONNAT.MICRO
49	146266	BICR.HEX SCREW DIN933-8 M-4X15	TOR.EX.DIN933-4.8 BICR.M 4X 15	VIS HEX BICR.DIN933-8.8 M-4X15
50	219758	WASHER 12X4X1,5	ARANDELA 12X4X1,5	RONDELLE 12X4X1,5
51	149476	BICR.WASHER B DIN125-ST 4,3	ARAN.B DIN125-ST BICR. 4,3	RONDELLE B DIN125-ST BICR.4,3
52	132043	SELFBLOCKING NUT DIN985 M 4	TUER.AUTOBL.DIN985-8 BICR.M 4	ECROU AUTOBLOCANT DIN985 M 4
53	283192	MICROSWITCH PROTECTION COVER	TAPA PROTECCION MICRORRUPTOR	COUVERCLE PROT. MICRORRUPTEUR
54	283200	MICRO PROTECTION FIXING-PIECE	FIJACION PROTECCION MICRO.	FIXATION PROTECTION MICRO
55	165621	BIC HEX SCREW DIN933-8,8 M6X10	TOR.EX.DIN933-8.8 BICR.M 6X 10	VIS HEX DIN933-8,8 BICR M6X10
56	115733	WASHER 16X7X3	ARANDELA 16X7X3	RONDELLE 16X7X3
*	278432	SUSPENSION SET (COMPLETE)	CONJUNTO SUSPENSION (COMPLETO)	ENSEMBLE SUSPENSION (COMPLET)





Nº	REF.	DENOMINATION	DENOMINACION	DÉNOMINATION
1	210245	SPRING-PIN BOX	CAJA CONTRAMARCHA	BOITARD CONTREMARCHE
2	186908	HEX SCREW 8G DIN931 M16X70	TOR.EX.DIN931-8.8 BICR.M16X 70	VIS HEX 8G DIN931 M16X70
3	258368	WASHER 36X17X12	ARANDELA 36X17X12	RONDELLE 36X17X12
4	212597	TIGHTENER BUMP	ESPARRAGO TENSOR	GOUJON TENDEUR
5	150276	BICR HEX.NUT DIN934-8 M-16	TUER.EX.DIN934-8 BICR.M16	ECROU HEX.DIN934-8 BICR M-16
6	149385	BICR.WASHER B DIN125-ST 17	ARAN.B DIN125-ST BICR.17	RONDELLE B DIN125-ST BICR.17
7	173260	SELF-BLOCKING NUT DIN 985 M-16	TUER.AUTOBL.DIN985-8 BICR.M16	ECROU AUTOBLOCANT DIN 985 M-16
8	212555	SPRING-PIN SHAFT	EJE CONTRAMARCHA	AXE CONTREMARCHE
9	185900	PIN DIN6885-AB 60X14X9	CHAVETA DIN 6885-AB 60X14X9	CLAVETTE DIN6885-AB 60X14X9
10	212530	SPRING-PIN PULLEY	POLEA CONTRAMARCHA	POULIE CONTREMARCHE
11	186312	HEX SCREW 8G DIN933 M14X35	TOR.EX.DIN933-8.8 BICR.M14X 35	VIS HEX 8G DIN933 M14X35
12	212589	WASHER 80X15X8	ARANDELA 80X15X8	RONDELLE 80X15X8
13	186494	TRAPEZOIDAL BELT SPA-1207	CORREA TRAPEICIAL SPA-1207	COURROIE TRAPEZOIDALE SPA-1207
14	185876	BEARING 6311Z	RODAMIENTO 6311 Z	ROULEMENT 6311Z
15	186304	FLEXIBLE RING I-120 DIN 472	ANILLO ELASTICO I-120 DIN 472	BAGUE ELASTIQUE I-120 DIN 472
16	212563	SPRING-PIN PULLEY COVER	TAPA POLEA CONTRAMARCHA	COUVERCLE POULIE CONTREMARCHE
17	146316	BICR.HEX SCREW DIN933-8 M-6X20	TOR.EX.DIN933-8.8 BICR.M 6X 20	VIX HEX BICR.DIN933-8.8 M-6X20
18	149526	BICR.WASHER B DIN125-ST 6,4	ARAN.B DIN125-ST BICR. 6,4	RONDELLE B DIN125-ST BICR.6,4
19	185868	BEARING NU-214EC	RODAMIENTO NU-214EC	ROULEMENT NU-214EC
20	213223	BEARING END PIECE	TOPE COJINETE	ARRET ROULEMENT
21	131631	FLEXIBLE RING I-125 DIN 472	ANILLO ELASTICO I-125 DIN 472	BAGUE ELASTIQUE I-125 DIN 472
22	256305	SEAL RING	ANILLO RETEN	BAGUE RESERVE
23	185892	SEAL B2 PTFE 80X100X10	RETEN 80X100X10 B2 PT	RESERVE B2 PTFE 80X100X10
24	212548	SPRING-PIN SEAL COVER	TAPA RETEN CONTRAMARCHA	COUVERCLE RESERVE CONTREMARCHE
25	144394	ALLEN SCREW DIN912 M8X20	TORNILLO ALLEN DIN912 M 8X20	VIS ALLEN DIN912 M8X20
26	212605	CLUTCH PIN	CHAVETA EMBRAGUE	CLAVETTE EMBROYAGE
27	193565 *	COIL STATOR 1410525.1.0-190	CARCASA BOBINA 1410525.1.0-190	INDUCTEUR BOBINE 141052510190
28	193573 *	ROTOR 14.105.25.1.0-D70	ROTOR 14.105.25.1.0-D70	ROTOR 14.105.25.1.0-D70
29	193581 *	ARMATURE PLATE 14.105.25.0.3	ARMADURA 14.105.25.0.3	DISQUE ARMATURE 14.105.25.0.3
30	144485	ALLEN SCREW DIN 912 M-10X35	TORNILLO ALLEN DIN912 M10X35	VIS ALLEN DIN 912 M-10X35

N°	REF.	DENOMINATION	DENOMINACION	DÉNOMINATION
31	149500	BICR.WASHER B DIN125-ST 10,5	ARAN.B DIN125-ST BICR.10,5	RONDELLE B DIN125-ST BICR.10,5
32	150649	SELFBLOCKING NUT DIN 985 M-10	TUER.AUTOBL.DIN985-8 BICR.M10	ECROU AUTOBLOCANT DIN 985 M-10
33	186320	ALLEN SCREW DIN7984 M12X40	TORNILLO ALLEN DIN7984 M12X40	VIS ALLEN DIN7984 M12X40
34	150656	SELFBLOCKING NUT DIN985 M-12	TUER.AUTOBL.DIN985-8 BICR.M12	ECROU AUTOBLOCANT DIN985 M-12
35	185843	ADJUSTMENT WASHER PS65X85X0,1	ARAN.AJUSTE PS65X85X0,1 DIN988	RONDELLE REGLAGE PS65X85X0,1
36	212571	SPRING-PIN PULLEY SEPARATOR	SEPARADOR POLEA CONTRAMARCHA	SEPARATEUR POULIE CONTREMARCHE
37	185884	BEARING 6013 ZZ	RODAMIENTO 6013 ZZ	ROULEMENT 6013 ZZ
38	131623	ELASTIC RING I-100 DIN 472	ANILLO ELASTICO I-100 DIN 472	BAGUE ELASTIQUE I-100 DIN 472
39	210252	CLUTCH PULLEY	POLEA EMBRAGUE	POULIE EMBROYAGE
40	186510	TRAPEZOIDAL BELT SPZ-2120	CORREA TRAPEZIAL SPZ-2120	COURROÏE TRAPEZOÏDALE SPZ-2120
41	210260	CLUTCH PULLEY COVER	TAPA POLEA EMBRAGUE	COUVERCLE POULIE EMBROYAGE
42	175653	ALLEN SCREW 10.9 DIN7991M-8X25	TOR.AV.ALL.10.9 DIN7991M 8X 25	VIS ALLEN DIN 7991 10.9M-8X25
43	127936	PIN DIN6885-AB 70X18X11	CHAVETA DIN 6885-AB 70X18X11	CLAVETTE DIN6885-AB 70X18X11
44	213256	SPRING-PIN PULLEY 60HZ (FOR 60HZ)	POLEA CONTRAMARCHA 60HZ. (PARA 60 HZ)	POULIE CONTREMARCHE 60HZ (POUR 60 HZ)
	210278	SPRING-PIN PULLEY 50HZ (FOR 50HZ)	POLEA CONTRAMARCHA 50HZ. (PARA 50 HZ)	POULIE CONTREMARCHE 50HZ (POUR 50 HZ)
45	186403	MOTOR MBT132MD4/6 208/380/60 (FOR 208-240/380V 60HZ)	MOTOR MBT132MD4/6 208/380/60 (PARA 208-240/380V 60HZ)	MOTEUR MBT132MD4/6 208/380/60 (POUR 208-240/380V 60HZ)
	188789	MOTOR MBT132MD4/6 254/440/60	MOTOR MBT132MD4/6 254/440/60	MOTEUR MBT132MD4/6 254/440/60
	186387	MOTOR MBT132MD4/6 220/380/50	MOTOR MBT132MD4/6 220/380/50	MOTEUR MBT132MD4/6 220/380/50
	186395	MOTOR MBT132MD4/6 240/415/50	MOTOR MBT132MD4/6 240/415/50	MOTEUR MBT132MD4/6 240/415/50
	188813	MOTOR MBT132MD4/6 200/346/50	MOTOR MBT132MD4/6 200/346/50	MOTEUR MBT132MD4/6 200/346/50
	109819	KLIXON 9700 K06-11 135 DEG.C.	THERMIK S01-130-5	KLIXON 9700 K06-11 135 DEG.C.
	305789	BEARING 6208-2Z QE6	RODAMIENTO 6208-2Z QE6	ROULEMENT 6208-2Z QE6
46	140194	COUPLING PG-21 REF. 332104	RACOR PG-21 REF.332104	RACCORD PG-21 REF.332104
47	140269	COUNTERNUT PG-21	CONTRATUERCA PG-21	CONTREECROU PG-21
48	101022	REDUCER PG-21-9	REDUCTOR PG 21- 9	REDUCTEUR PG-21-9
49	140095	STUFFING-BOX PG-9	PRENSAESTOPAS PG- 9	PRESSE-ETOUPE PG-9
50	110155	PIN DIN 6885-A 70X10X8	CHAVETA DIN 6885-A 70X10X8	CLAVETTE DIN 6885-A 70X10X8
51	213447	WASH MOTOR PULLEY	POLEA MOTOR LAVADO	POULIE MOTEUR LAVAGE

Nº	REF.	DENOMINATION	DENOMINACION	DÉNOMINATION
52	119628	MOTOR WASHER	ARANDELA MOTOR	RONDELLE MOTEUR
53	116764	HEX SCREW 8G DIN933 M-12X25	TOR.EX.DIN933-8.8 BICR.M12X 25	VIS HEX. 8G DIN933 M-12X25
54	213397	MOTOR FIXING	FIJACION MOTOR	FIXATION MOTEUR
55	146985	HEX SCREW 8G DIN933 M-12X55	TOR.EX.DIN933-8.8 BICR.M12X 55	VIS HEX. 8G DIN933 M-12X55
56	149419	BICR.WASHER B DIN125-ST 13	ARAN.B DIN125-ST BICR.13	RONDELLE B DIN125-ST BICR.13
57	150656	SELFBLOCKING NUT DIN985 M-12	TUER.AUTOBL.DIN985-8 BICR.M12	ECROU AUTOBLOCANT DIN985 M-12
58	213330	WASH MOTOR PLATE	PLACA MOTOR LAVADO	PLAQUE MOTEUR LAVAGE
59	186536	HEX SCREW 8G DIN931 M12X120	TOR.EX.DIN931-8.8 BICR.M12X120	VIS HEX 8G DIN931 M12X120
60	110726	WASHER	ARANDELA 34X13X4	RONDELLE
61	146613	BIC HEX SCREW DIN933-8 M12X100	TOR.EX.DIN933-8.8 BICR.M12X100	VIS HEX BICR.DIN933-8 M12X100
62	150235	BICR.HEX NUT DIN 934-8 M-12	TUER.EX.DIN934-8 BICR.M12	ECROU HEX DIN 934-8 BICR.M-12
63	213264	MOTOR TIGHTENER	TENSOR MOTOR	TENDEUR MOTEUR
64	198945	MOTOR MBT132MD4 ES 208/380-60 (FOR 208-240/380V 60HZ)	MOTOR MBT132MD4 ES.208/380-60 (PARA 208-240/380V 60HZ)	MOTEUR MBT132MD4 ES 208/380-60 (POUR 208-240/380V 60HZ)
	198952	MOTOR MBT132MD4 ES 254/440-60	MOTOR MBT132MD4 ES.254/440-60	MOTEUR MBT132MD4 ES 254/440-60
	198903	MOTOR MBT132MD4 ES 220/380-50	MOTOR MBT132MD4 ES.220/380-50	MOTEUR MBT132MD4 ES 220/380-50
	198911	MOTOR MBT132MD4 ES 240/415-50	MOTOR MBT132MD4 ES.240/415-50	MOTEUR MBT132MD4 ES 240/415-50
	198937	MOTOR MBT132MD4 ES 200/346-50	MOTOR MBT132MD4 ES.200/346-50	MOTEUR MBT132MD4 ES 200/346-50
	177949	KLIXON 9700K 46-11 150°C	KLIXON 9700 K 46-11,150 GRADOS	KLIXON 9700K 46-11 150°C
	305789	BEARING 6208-22 QE6	RODAMIENTO 6208-22 QE6	ROULEMENT 6208-22 QE6
65	275644	PRE-EXTRACTION MOTOR PULLEY	POLEA MOTOR PRECENTRIFUGADO	POULIE MOTEUR PRE-ESSORAGE
66	262022	PRE-EXTRACTION MOTOR PULLEY	POLEA MOTOR PRECENTRIFUGADO	POULIE MOTEUR PRE-ESSORAGE
67	186486	SELFCENT.FIX.UNIT 5B 38X65	UNIDAD FIJ.AUTOCENT.5B 38X 65	UNITE FIX.SELFCENT.5B 38X65
68	186460	MOTOR MBT160M4 208/380/60 (FOR 208-240/380V 60HZ)	MOTOR MBT160M4 ESP.208/380/60 (PARA 208-240/380V 60HZ)	MOTEUR MBT160M4 208/380/60 (POUR 208-240/380V 60HZ)
	188755	MOTOR MBT160M4 254/440/60	MOTOR MBT160M4 ESP.254/440/60	MOTEUR MBT160M4 254/440/60
	186445	MOTOR MBT160M4 220/380/50	MOTOR MBT160M4 ESP.220/380/50	MOTEUR MBT160M4 220/380/50
	186452	MOTOR MBT160M4 240/415/50	MOTOR MBT160M4 ESP.240/415/50	MOTEUR MBT160M4 240/415/50
	188771	MOTOR MBT160M4 200/346/50	MOTOR MBT160M4 ESP.200/346/50	MOTEUR MBT160M4 200/346/50
	177949	KLIXON 9700K 46-11 150°C	KLIXON 9700 K 46-11,150 GRADOS	KLIXON 9700K 46-11 150°C
	168799	BEARING 6209-22 QE6	RODAMIENTO 6209-22 QE6	ROULEMENT 6209-22 QE6

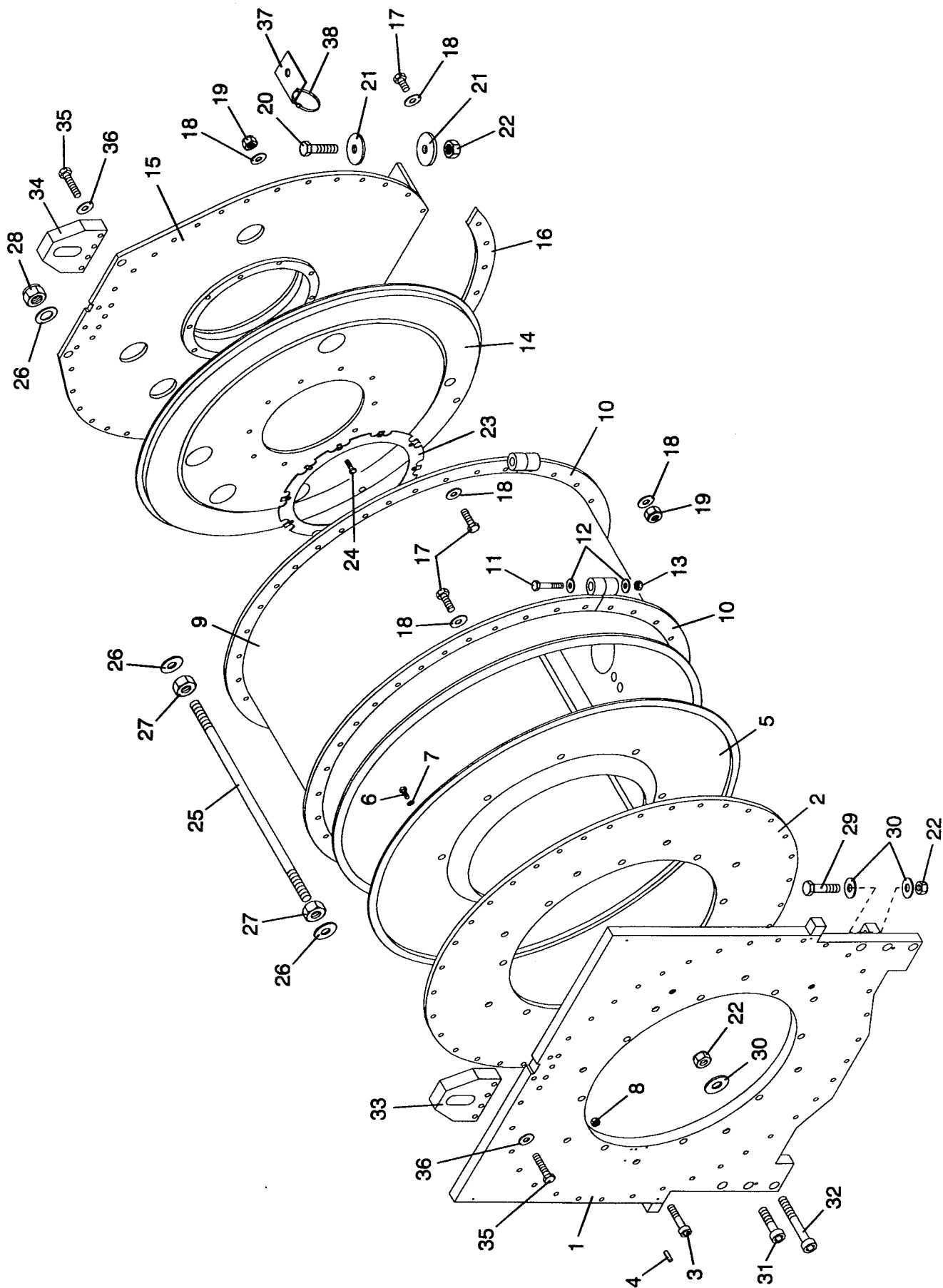
Nº	REF.	DENOMINATION	DENOMINACION	DÉNOMINATION
69	213413	EXTRACT MOTOR PULLEY	POLEA MOTOR CENTRIFUGADO	POULIE MOTEUR ESSORAGE
70	186478	SELFCENT.FIX.UNIT 5B 42X75	UNIDAD FIJ.AUTOCENT.5B 42X 75	UNITE FIX.SELFCENT.5B 42X75
71	186502	TRAPEZOIDAL BELT SPA-2282	CORREA TRAPEZIAL SPA-2282	COURROIE TRAPEZOIDALE SPA-2282
72	146357	BIC HEX SCREW DIN933-8.8 M6X45	TOR.EX.DIN933-8.8 BICR.M 6X 45	VIS HEX DIN933-8.8 BICR.M 6X45
73	153205	WASHER 20X7X2	ARANDELA 20X7X2	RONDELLE 20X7X2
74	140426	CLAMP 1202	BRIDA UNEX 1202	BRIDE 1202
75	146084	BICR CYL SCREW DIN84 M 4X 10	TOR.CIL.DIN84-4.8 BICR.M 4X10	VIS CYL BICR DIN84-4.8 M 4X 10
77	193904	HOSE ELBOW 3/8" RE. 46602	CODO MANGUERA 3/8" REF.46602	COUDE TUYAU 3/8" REF. 46602
78	268425	PRE-EXTRACTION SUPPLEMENT	SUPLEMENTO MOTOR PRECENTRIFUG.	SUPPLEMENT MOTEUR PRE-ESSORAGE
79	182204	HEX SCREW 8G DIN931 M12X70	TOR.EX.DIN931-8.8 BICR.M12X 70	VIS HEX 8G DIN931 M12X70
80	147025	HEX SCREW 8G DIN 933 M-12X30	TOR.EX.DIN933-8.8 BICR.M12X 30	VIS HEX. 8G DIN933 M-12X30
81	195818	CONNECTION BOARD (2 ELEMENT)	REGLETA CINTISA 230DS (2ELEM)	REGLETTE (2 ELEMENTS)
82	139436	SPECIAL WASHER SCREW DIN912	ARAN.ESPECIAL TORN.DIN912 M12	RONDELLE SPECIALE VIS DIN912

* 185850 (COMPLETE) CLUTCH

EMBRAGUE (COMPLETO)

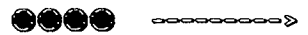
EMBRAYAGE (COMPLET)

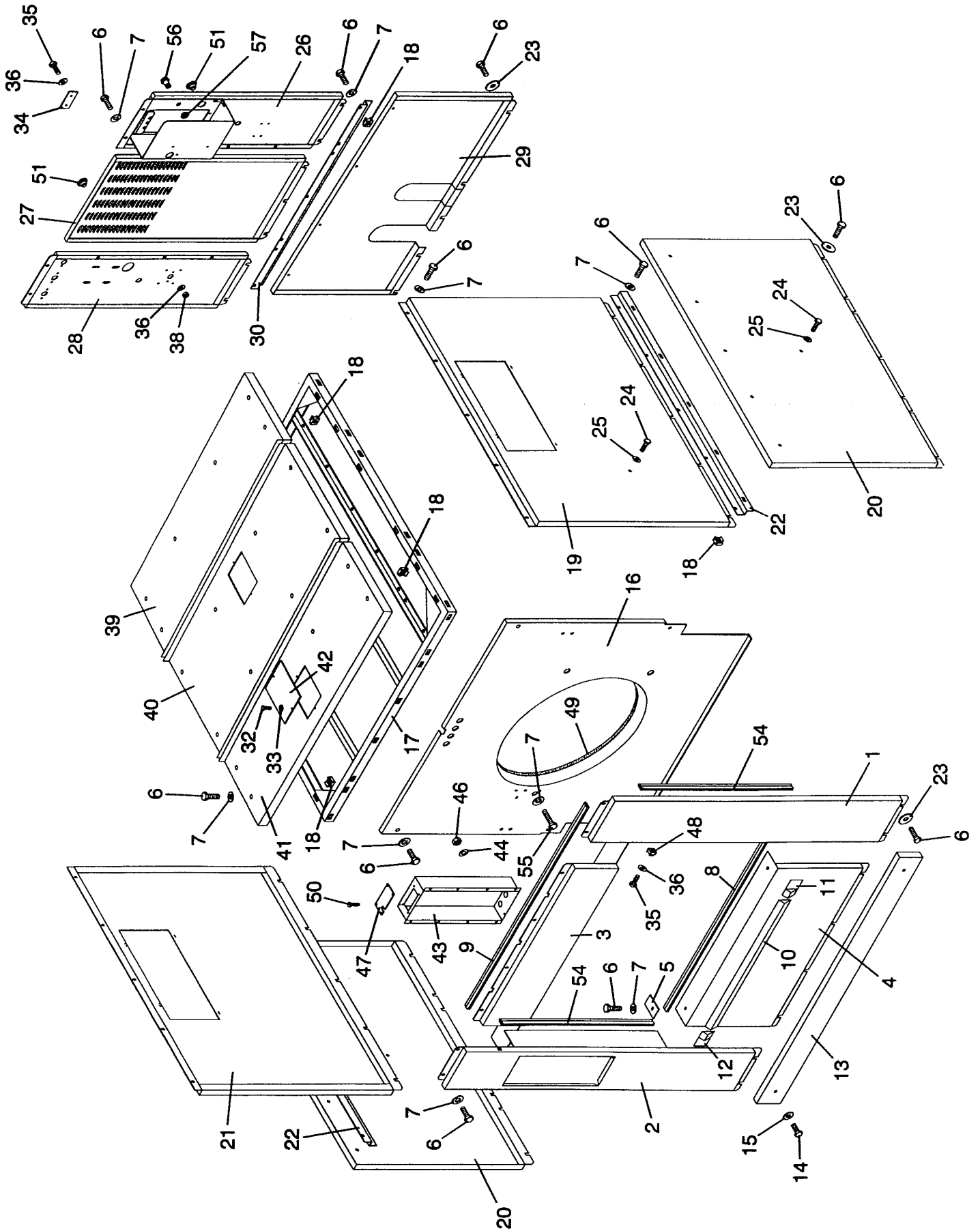




Nº	REF.	DENOMINATION	DENOMINACION	DÉNOMINATION
1	277301	FRONT PLATE	PLACA FRONTAL	PLAQUE FRONTAL
2	255711	OUTER DRUM FRONT CROWN	CORONA FRONTAL ENVOLVENTE	COURONNE FRONTAL CUVE
3	134981	SCREW ALLEN DIN912 M-16X60	TORNILLO ALLEN DIN912 M16X60	VIS ALLEN DIN912 M-16X60
4	150763	FLEXIBLE PIN DIN1481 D4X10	PASADOR ELASTICO DIN1481 D4X10	GOUJON ELASTIQUE DIN1481 D4X10
5	255638	OUTER DRUM FRONT PANEL	FRONTAL ENVOLVENTE	FRONTAL CUVE
6	145003	INOX HEX SCREW DIN 933 M-10X50	TOR.EX.INOX DIN933 M10X 50	VIS HEX INOX DIN 933 M-10X50
7	175273	USIT GASKET TYPE UA 16X10X1,5	JUNTA USIT TIPO UA 16X10X1,5	JOINT USIT TYPE UA 16X10X1,5
8	150649	SELFBLOCKING NUT DIN 985 M-10	TUER.AUTOBL.DIN985-8 BICR.M10	ECROU AUTOBLOCANT DIN 985 M-10
9	200238	OUTER DRUM	ENVOLVENTE	CUVE
10	200394	OUTER DRUM FIXING RING	ARO FIJACION ENVOLVENTE	BAGUE FIXATION CUVE
11	175703	HEX SCREW 8G DIN 931 M-14X100	TOR.EX.DIN931-8.8 BICR.M14X100	VIS HEX 8G DIN 931 M-14X100
12	149393	BICR WASHER B DIN125-ST 15	ARAN.B DIN125-ST BICR.15	RONDELLE B BICR DIN125-ST 15
13	164350	SELFBLOCKING NUT DIN-985 M-14	TUER.AUTOBL.DIN985-8 BICR.M14	ECROU AUTOBLOCANT DIN985 M-14
14	278143	OUTER-DRUM BOTTOM PLATE	FONDO ENVOLVENTE	FOND CUVE
15	213231	REAR PLATE	PLACA POSTERIOR	PLAQUE ARRIERE
16	255679	OUTER DRUM SEMI-RING	SEMI-ARO ENVOLVENTE	SEMI-BAGUE CUVE
17	186908	HEX SCREW 8G DIN931 M16X70	TOR.EX.DIN931-8.8 BICR.M16X 70	VIS HEX 8G DIN931 M16X70
18	255992	WASHER 36X17X5	ARANDELA 36X17X6	RONDELLE 36X17X5
19	173260	SELF-BLOCKING NUT DIN 985 M-16	TUER.AUTOBL.DIN985-8 BICR.M16	ECROU AUTOBLOCANT DIN 985 M-16
20	186890	HEX SCREW 8G DIN931 M20X170	TOR.EX.DIN931-8.8 BICR.M20X170	VIS HEX 8G DIN931 M20X170
21	216796	WASHER 70X21X15	ARANDELA 70X21X15	RONDELLE 70X21X15
22	186866	SELF-BLOCKING NUT DIN985 M20	TUER.AUTOBL.DIN985-8 BICR.M20	ECROU AUTOBLOCANT DIN985 M20
23	255737	SCREW FIXING DISK	DISCO SUJECION TORNILLOS	DISQUE FIXATION VIS
24	144931	INOX HEX SCREW DIN933 M10X20	TOR.EX.INOX DIN933 M10X 20	VIS HEX INOX DIN933 M10X20
25	255695	OUTER DRUM STRETCHER	TIRANTE ENVOLVENTE	TIRANT CUVE
26	149559	BICR WASHER B DIN125-ST 31	ARAN.B DIN125-ST BICR.31	RONDELLE B BICR. DIN125-ST 31
27	150334	BICR.NUT DIN934-8 BICR.M 30	TUER.EX.DIN934-8 BICR.M30	ECROU HEX DINN934-8 BICR.M 30
28	185637	SELFBLOCKING NUT DIN985 M30	TUER.AUTOBL.DIN985-8 BICR.M30	ECROU AUTOBLOCANT DIN985 M30
29	147132	HEX SCREW 8G DIN931 M20X130	TOR.EX.DIN931-8.8 BICR.M20X130	VIS HEX 8G DIN931 M20X130
30	149427	BICR WASHER B DIN125-ST 21	ARAN.B DIN125-ST BICR.21	RONDELLE B BICR.DIN125-ST 21

Nº	REF.	DENOMINATION	DENOMINACION	DÉNOMINATION
31	175752	ALLEN SCREW DIN 912 M-20X60	TORNILLO ALLEN DIN912 M20X60	VIS ALLEN DIN 912 M-20X60
32	186858	ALLEN SCREW DIN912 M20X130	TORNILLO ALLEN DIN912 M20X130	VIS ALLEN DIN912 M20X130
33	255687	LOADING HOOK	GANCHO DE CARGA	CROCHET DE CHARGEMENT
34	263400	LOADING HOOK	GANCHO DE CARGA	CROCHET DE CHARGEMENT
35	188292	HEX SCREW DIN933-8.8 BICR.	TOR.EX.DIN933-8.8 BICR.M16X 55	VIS HEX DIN933-8.8 BICR.M16X55
36	149385	BICR.WASHER B DIN125-ST 17	ARAN.B DIN125-ST BICR.17	RONDELLE B DIN125-ST BICR.17
37	258442	PRESSOSTAT HOSE BRACKET	SOPORTE TUBO PRESOSTATO	SUPPORT TUBE PRESSOSTAT
38	140525	CLAMP 2244-0	BRIDA UNEX 2244-0	BRIDE 2244-0

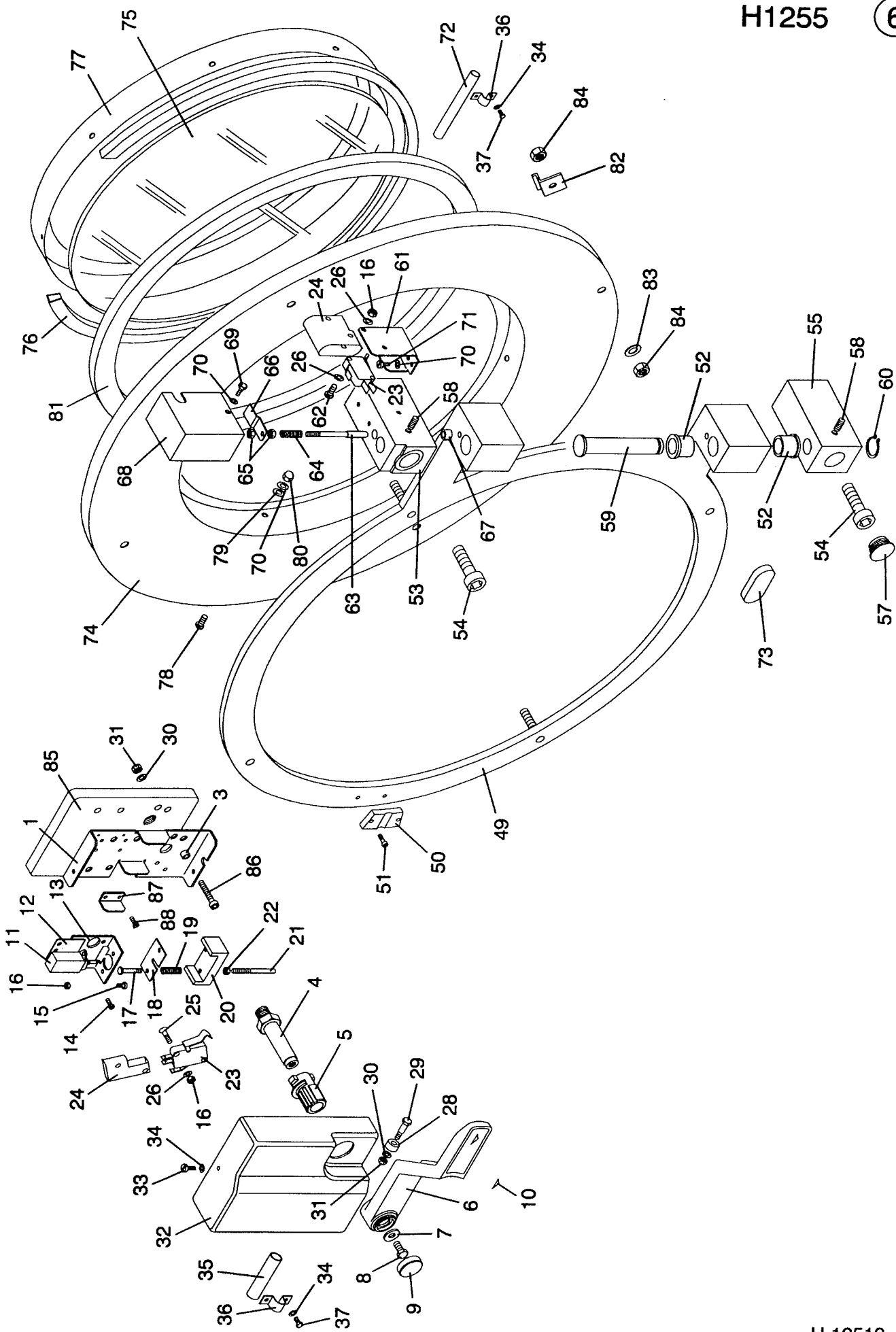




Nº	REF.	DENOMINATION	DENOMINACION	DÉNOMINATION
1	277954	RIGHT FRONT PLATE (INOX)	TAPA FRONTAL DERECHA (INOX)	COUVERCLE FRONTAL DROIT (INOX)
	283424	RIGHT FRONT COVER (RED PAINTED)	TAPA FRONTAL DERECHA (PINTADA ROJA)	COUVERCLE FRONTAL DROIT (PEINTE ROUGE)
	283432	RIGHT FRONT COVER (GREY PAINTED)	TAPA FRONTAL DERECHA (PINTADA GRIS)	COUVERCLE FRONTAL DROIT (PEINTE GRIS)
2	277947	LEFT FRONT PLATE (INOX)	TAPA FRONTAL IZQUIERDA (INOX)	COUVERCLE FRONTAL GAUCHE (INOX)
	283465	LEFT FRONT COVER (RED PAINTED)	TAPA FRONTAL IZQUIERDA (PINTADA ROJA)	COUVERCLE FRONTAL GAUCHE (PEINTE ROUGE)
	283473	LEFT FRONT COVER (GREY PAINTED)	TAPA FRONTAL IZQUIERDA (PINTADA GRIS)	COUVERCLE FRONTAL GAUCHE (PEINTE GRIS)
3	282947	UPPER FRONT PANEL (WITHOUT TILTING)	PANEL FRONTAL SUPERIOR (SIN VOLQUETE)	PANNEAU FRONTAL SUPERIEUR (SANS SOCLE BASCULANT)
	282939	UPPER FRONT PANEL (FOR 200,220 AND 380V)	PANEL FRONTAL SUPERIOR (PARA 200,220 Y 380V)	PANNEAU FRONTAL SUPERIEUR (POUR 200,220 ET 380V)
4	277962	LOWER FRONT PLATE	TAPA FRONTAL INFERIOR	COUVERCLE FRONTAL INFERIEUR
5	277970	LOWER PLATE SUPPLEMENT	SUPLEMENTO TAPA INFERIOR	SUPPLEMENT COUVERCLE INFERIEUR
6	144964	INOX HEX SCREW DIN 933 M-8X15	TOR.EX.INOX DIN933 M 8X 15	VIS HEX INOX DIN 933 M-8X15
7	149351	INOX A2 WASHER DIN 125 8,4	ARAN. DIN125 INOX A2 8,4	RONDELLE INOX A2 DIN 125 8,4
8	278747	LOWER FRONT PROFILE	PERFIL FRONTAL INFERIOR	PROFILE FRONTAL INFERIEUR
9	278739	UPPER FRONT PROFILE	PERFIL FRONTAL SUPERIOR	PROFILE FRONTAL SUPERIEUR
10	206128	FIXING PROFILE	PERFIL FIJACION	PROFILE FIXATION
11	174581	TERMINAL RE. 4776/V-4 RIGHT	TERMINAL REF.V-4 DERECHA	TERMINAL REF 4776/V-4 DROITE
12	174599	TERMINAL RE 4776/V-4 LEFT	TERMINAL REF.V-4 IZQUIERDA	TERMINAL REF 4776/V-4 GAUCHE
13	259853	TOE PLATE	ZOCALO	SOCLE
14	144907	INOX HEX SCREW DIN 933 M-6X10	TOR.EX.INOX DIN933 M 6X 10	VIS HEX INOX DIN 933 M-6X10
15	149310	INOX.A2 WASHER DIN125 6,4	ARAN. DIN125 INOX A2 6,4	RONDELLE INOX.A2 DIN125 6,4
16	277319	FRONT COVER	TAPA FRONTAL	COUVERCLE FRONTAL
17	221697	UPPER FRAME	BASTIDOR SUPERIOR	BATI SUPERIEUR
18	174532	CAGED NUT M-8 R-310011-6	TUER.ENJ.M8 1,8-3,2 R.310011-6	ECROU ENCAGE M-8 R-310011-6
19	237966	UPPER SIDE COVER	TAPA LATERAL SUPERIOR	COUVERCLE LATERAL SUPERIEUR
20	255851	LOWER SIDE COVER	TAPA LATERAL INFERIOR	COUVERCLE LATERAL INFERIEUR
21	240333	UPPER SIDE COVER	TAPA LATERAL SUPERIOR	COUVERCLE LATERAL SUPERIEUR

Nº	REF.	DENOMINATION	DENOMINACION	DÉNOMINATION
22	255950	LOWER COVER PROFILE	PERFIL TAPA INFERIOR	PROFILE COUVERCLE INFERIEUR
23	217133	WASHER 27X10X3	ARANDELA 27X10X3	RONDELLE 27X10X3
24	144907	INOX HEX SCREW DIN 933 M-6X10	TOR.EX.INOX DIN933 M 6X 10	VIS HEX INOX DIN 933 M-6X10
25	149310	INOX.A2 WASHER DIN125 6,4	ARAN. DIN125 INOX A2 6,4	RONDELLE INOX.A2 DIN125 6,4
26	278309	RIGHT SIDE REAR PLATE	TAPA POSTERIOR LATERAL DERECHA	COUVERCLE ARRIERE LAT. DROIT
27	260497	CENTRAL REAR COVER	TAPA POSTERIOR CENTRAL	COUVERCLE ARRIERE CENTRAL
28	278168	LEFT REAR PLATE	TAPA POSTERIOR IZQUIERDA	COUVERCLE ARRIERE GAUCHE
29	260505	LOWER REAR COVER	TAPA POSTERIOR INFERIOR	COUVERCLE ARRIERE INFERIEUR
30	255968	LOWER COVER PROFILE	PERFIL TAPA INFERIOR	PROFILE COUVERCLE INFERIEUR
32	146076	BICR ROUND SCREW DIN84 M 4X 8	TOR.CIL.DIN84-4.8 BICR:M-4X-8	VIS ROND BICR DIN84-4.8 M 4X 8
33	149476	BICR.WASHER B DIN125-ST 4,3	ARAN.B DIN125-ST BICR. 4,3	RONDELLE B DIN125-ST BICR.4,3
34	122713	WATER INLET COVER (FOR MACHINES WITHOUT STEAM)	TAPA ENTRADA AGUA (PARA MODELOS SIN VAPOR)	COUVERCLE ENTREE EAU (POUR MACHINES SANS VAPEUR)
35	146233	BICR.HEX SCREW DIN933-8 M6X15	TOR.EX.DIN933-8.8 BICR.M 6X 15	VIS HEX DIN933-8.8 BICR.M6X15
36	149526	BICR.WASHER B DIN125-ST 6,4	ARAN.B DIN125-ST BICR. 6,4	RONDELLE B DIN125-ST BICR.6,4
38	150227	BICR HEX NUT DIN934-8 M6	TUER.EX.DIN934-8 BICR.M 6	ECROU HEX DIN934-8 BICR.M6
39	282640	REAR UPPER PLATE	TAPA SUPERIOR POSTERIOR	COUVERCLE SUPERIEUR ARRIERE
40	282632	CENTRAL UPPER PLATE	TAPA SUPERIOR CENTRAL	COUVERCLE SUPERIEUR CENTRAL
41	282624	FRONT UPPER PLATE	TAPA SUPERIOR ANTERIOR	COUVERCLE SUPERIEUR FRONTAL
42	268284	LOADING HOOK COVER	TAPA GANCHOS CARGA	COUVERCLE CROCHET CHARGEMENT
43	272393	CONTROL PANEL BOX	CAJA PANEL DE MANDOS	BOITE PANNEAU COMMANDES
44	149369	INOX A2 WASHER DIN 125 5,3	ARAN. DIN125 INOX A2 5,3	RONDELLE INOX A2 DIN 125 5,3
46	149914	INOX HEX. NUT DIN 934 M-5	TUERCA EX.INOX DIN934 M 5	ECROU HEX. INOX DIN 934 M-5
47	283564	PANEL BOX COVER	TAPA CAJA PANEL	COUVERCLE BOITE TABLEAU
48	165019	CAGED NUT M-6 0,5-1,5	TUER.ENJ.M6 0,5-1,5 R.310007-9	ECROU ENCAGE M-6 0,5-1,5
49	165472	ETHILENE-PROP. PROFILE (1 METER)	PERFIL ETILENO-PROP.REF.44117L (1 METRO)	PROFILE ETHILENE-PROP. (1 METRE)
50	144832	INOX.HEX.SCREW DIN 933 M-4X10	TOR.EX.INOX DIN933 M 4X 10	VIS HEX INOX. DIN 933 M-4X10
51	139683	CONE ECPC-6	CONO HIMEL ECPC-6	CONE ECPC-6
54	278721	LEFT & RIGHT FRONT PROFILE	PERFIL FRONTAL DER.E IZQU.	PROFILE FRONTAL DROIT/GAUCHE
55	145342	SCREW DIN 85 M8X20	TOR.ALOM.INOX DIN 85 M 8X20	VIS DIN 85 M8X20

Nº	REF.	DENOMINATION	DENOMINACION	DÉNOMINATION
56	140103	STUFFING-BOX PG-11	PRENSAESTOPAS PG-11	PRESSE-ETOUPE PG-11
57	140236	COUNTERNUT PG-11	CONTRATUERCA PG-11	CONTREECROU PG-11



Nº	REF.	DENOMINATION	DENOMINACION	DÉNOMINATION
1	276469	SAFETY LOCK BRACKET	SOPORTE CIERRE SEGURIDAD	SUPPORT FERMETURE DE SECURITE
3	276527	LOCK END-PIECE	TOPE CIERRE	ARRET FERMETURE
4	276485	LOCK SHAFT	EJE CIERRE	AXE FERMETURE
5	283671	LOCK KNOB UNION	UNION EMPUÑADURA CIERRE	UNION POIGNEE FERMETURE
6	199257	KNOB	EMPUÑADURA	POIGNEE
7	115733	WASHER 16X7X3	ARANDELA 16X7X3	RONDELLE 16X7X3
8	165621	BIC HEX SCREW DIN933-8,8 M6X10	TOR.EX.DIN933-8.8 BICR.M 6X 10	VIS HEX DIN933-8,8 BICR M6X10
9	189993	KNOB STOPPER	TAPON EMPUÑADURA	BOUCHON POIGNEE
10	193599	KNOB PLATE	PLACA EMPUÑADURA	PLAQUE POIGNEE
11	196774	THERMO-ACTUATOR 100331 15	TERMOACTUADOR 100331.15 NTA 6	THERMO-ACTIONNEMENT 100331 15
12	276535	THERMO-ACTUATOR ISOLATION	AISLANTE TERMOACTUADOR	ISOLANT THERMO-ACTIONNEMENT
13	276493	THERMO-ACTUATOR BRACKET	SOPORTE TERMOACTUADOR	SUPPORT THERMO-ACTIONNEMENT
14	146019	BICR CYL SCREW DIN 84-4.8 M3X5	TOR.CIL.DIN84-4.8 BICR.M 3X 5	VIS CYL BICR.DIN 84-4.8 M 3X 5
15	146027	BICR CYL SCREW DIN84-4 M 3X 7	TOR.CIL.DIN84-4.8 BICR.M 3X 7	VIS CYL BICR DIN84-4.8 M 3X 7
16	149906	INOX. HEX. NUT DIN 934 M-3	TUERCA EX.INOX DIN934 M 3	ECROU HEX. INOX DIN934 M-3
17	278622	SLIDING BLOCKING SCREW	TORNILLO BLOQUEADOR DESLIZANTE	VIS BLOQUEUR COULISSANT
18	280891	SLIDING BLOCKING PIECE	PIEZA BLOQUEADOR DESLIZANTE	PIECE BLOQUEUR COULISSANT
19	198069	SPRING	MUELLE COMPENSADOR	RESSORT
20	272575	SLIDING BLOCKER	BLOQUEADOR DESLIZANTE	BLOQUEUR COULISSANT
21	276501	MICROSWITCH DRIVE	ACCIONADOR MICRORRUPTOR	ACTIONNEMENT MICRORRUPTEUR
22	149922	INOX HEX. NUT DIN 934 M-4	TUERCA EX.INOX DIN934 M 4	ECROU HEX. INOX DIN 934 M-4
23	279760	MICROSWITCH	MINIRRUPTOR	MICRORRUPTEUR
24	281113	MICROSWITCH ISOLATION	AISLANTE MICRORRUPTOR	ISOLANT MICRORRUPTEUR
25	303131	BICR.SCREW DIN963-4.8 M 3X 20	TOR.AV.DIN963-4.8 BICR M 3X20	VIS.T/FRAIS DIN963-4.8 B.M3X20
26	149484	BICR.WASHER B DIN125-ST 3,2	ARAN.B DIN125-ST BICR. 3,2	RONDELLE B.DIN125-ST BICR. 3,2
28	276519	KNOB ROLL	RODILLO EMPUÑADURA	ROULEAU POIGNEE
29	276477	KNOB BOLT	BULON EMPUÑADURA	BOULON POIGNEE
30	149526	BICR.WASHER B DIN125-ST 6,4	ARAN.B DIN125-ST BICR. 6,4	RONDELLE B DIN125-ST BICR.6,4
31	176834	SELFBLOCKING NUT DIN985 M-6	TUER.AUTOBL.DIN985-8 BICR.M 6	ECROU AUTOBLOCANT DIN985 M-6
32	199307	SAFETY LOCK BOX	CAJA CIERRE SEGURIDAD	BOITE FERMETURE SECURITE

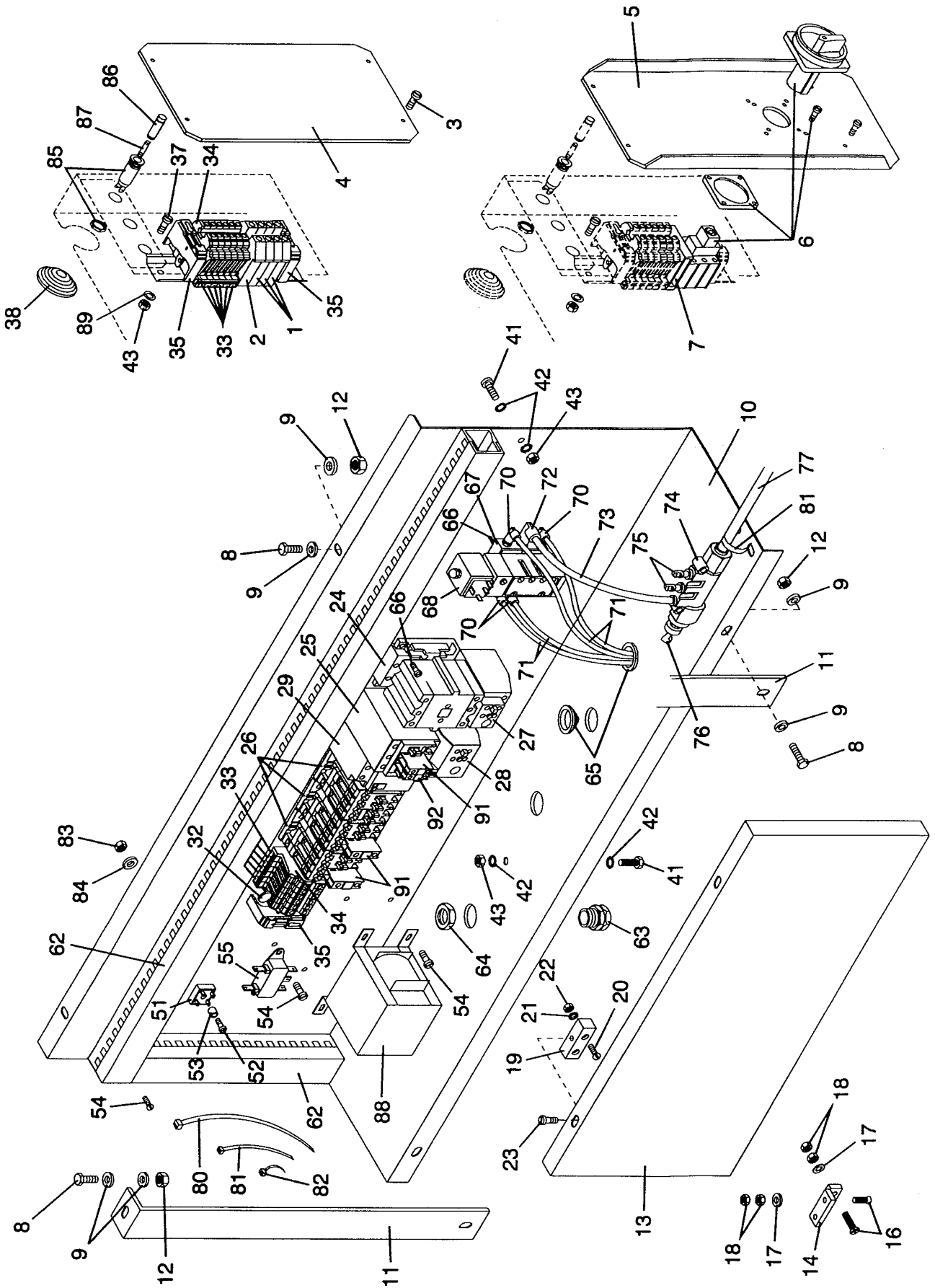
Nº	REF.	DENOMINATION	DENOMINACION	DÉNOMINATION
33	300632	INOX A2-70 SCREW DIN85 M5X 8	TOR.PLA.DIN85 INOX A2-70 M5X 8	VIS DIN85 INOX A2-70 M5X 8
34	149369	INOX A2 WASHER DIN 125 5,3	ARAN. DIN125 INOX A2 5,3	RONDELLE INOX A2 DIN 125 5,3
35	276899	WIRE PROTECTION HOSE	TUBO PROTECCION CABLES	TUBE PROTECTION CABLES
36	276824	WIRE PROTECTION CLAMP	BRIDA PROTECCION CABLES	BRIDE PROTECTION CABLES
37	144774	INOX HEX SCREW DIN 933 M-5X10	TOR.EX.INOX DIN933 M 5X 10	VIS HEX INOX DIN 933 M-5X10
49	283002	DOOR RING	ARO ESCOTILLA	BAGUE HUBLLOT
50	199323	DOOR LOCK PIECE	PIEZA CIERRE SEGURIDAD	PIECE FERMETURE HUBLLOT
51	144279	ALLEN SCREW DIN 912 M-5X15	TORNILLO ALLEN DIN912 M 5X15	VIS ALLEN DIN 912 M-5X15
52	174482	SELFOIL SLEEVE B11B22-28-25/33	COJ. SELFOIL B11B22-28-25/33-4	FRETTE SELFOIL B11B22-28-25/33
53	277285	HINGE	BISAGRA	CHARNIERE
54	175752	ALLEN SCREW DIN 912 M-20X60	TORNILLO ALLEN DIN912 M20X60	VIS ALLEN DIN 912 M-20X60
55	259952	HINGE	BISAGRA	CHARNIERE
57	176776	CONICAL END FIG. 26 D38	TOPE CONICO FIG.26 D38	ARRET CONIQUE FIG. 26 D38
58	175778	ALLEN BUMP DIN 916 M-8X15	ESPARRAGO ALLEN DIN916 M 8X15	GOUJON ALLEN DIN 916 M-8X15
59	206995	DOOR BOLT	BULON ESCOTILLA	BOULON HUBLLOT
60	174524	FLEXIBLE RING E-22 DIN 471	ANILLO ELASTICO E-22 DIN 471	BAGUE ELASTIQUE E-22 DIN 471
61	276857	MICROSWITCH BRACKET	SOPORTE MICRORRUPTOR	SUPPORT MICRORRUPTEUR
62	146043	BIC CYL SCREW DIN84-4,8 M3X16	TOR.CIL.DIN84-4.8 BICR.M 3X16	VIS CYL DIN84-4,8 BICR.M3X16
63	276907	MICROSWITCH ACTIVATOR BOLT	PERNO ACCIONADOR MICRORRUPTOR	BOULON ACCIONATEUR MICRORRUPT.
64	198069	SPRING	MUELLE COMPENSADOR	RESSORT
65	149922	INOX HEX. NUT DIN 934 M-4	TUERCA EX.INOX DIN934 M 4	ECROU HEX. INOX DIN 934 M-4
66	276873	MICROSWITCH DRIVE	ACCIONADOR MICRORRUPTOR	ACTIONNEMENT MICRORRUPTEUR
67	276840	GUIDE SLEEVE	CASQUILLO GUIA	FRETTE GUIDE
68	276923	PROTECTION PLATE	TAPA PROTECCION	COUVERCLE PROTECTION
69	144832	INOX.HEX.SCREW DIN 933 M-4X10	TOR.EX.INOX DIN933 M 4X 10	VIS HEX INOX. DIN 933 M-4X10
70	149328	INOX A2 WASHER DIN 125 4,3	ARAN. DIN125 INOX A2 4,3	RONDELLE INOX A2 DIN 125 4,3
71	145664	INOX FLAT SCREW DIN85 M 4X8	TOR.PLA.DIN85 INOX A2-70 M4X 8	VIS PLAT INOX DIN85 M 4X8
72	276931	WIRE PROTECTION HOSE	TUBO PROTECCION CABLES	TUBE PROTECTION CABLES
73	200212	DOOR END-PIECE	TOPE ESCOTILLA	ARRET HUBLLOT
74	206664 *	DOOR RING	ARO ESCOTILLA	BAGUE HUBLLOT

Nº	REF.	DENOMINATION	DENOMINACION	DÉNOMINATION
75	185751	VITRE D645+-1,5X5	MIRILLA CRISTAL D645+-1,5X5	GLASS SPYHOLE D645+-1,5X5
76	185744	A PROFILE EPDM WHITE 2030MM	PERFIL A EPDM BLANCO 2030MM.	PROFILE A EPDM BLANC 2030MM
77	206672	OUTER RING	ARO EXTERIOR	BAGUE EXTERIEUR
78	145649	INOX FLAT SCREW DIN85 M 4X10	TOR.PLA.DIN85 INOX A2-70 M4X10	VIS PLAT INOX DIN85 M-4X10 A2
79	116129	SCREW GASKET	JUNTA TORNILLO	JOINT VIS
80	150151	INOX BLIND NUT DIN 1587 M-4	TUERCA CIE.INOX LAR.DIN1587M 4	ECROU AVEUGLE INOX DIN 1587 M4
81	183624	DOOR GASKET	JUNTA ESCOTILLA	JOINT HUBLOT
82	216820	DOOR GASKET CLIP	GRAPA JUNTA ESCOTILLA	CLIP JOINT HUBLOT
83	149302	INOX.A2 WASHER DIN 125 13	ARAN. DIN125 INOX A2 13	RONDELLE INOX.A2 DIN 125 13
84	149948	INOX. HEX. NUT DIN 934 M-12	TUERCA EX.INOX DIN934 M12	ECROU HEX. INOX. DIN 934 M-12
85	276543	LOCKING BASE	BASE CIERRE	BASE FERMETURE
86	302331	ALLEN SCREW DIN912-8.8 BICR.	TOR.ALLDIN912-8.8 BICR.M 6X 35	VIS ALLDIN912-8.8 BICR.M6X35
87	279810	LOCKING BOX COVER	TAPETA CAJA CIERRE	COUVERCLE BOITE FERMETURE
88	146035	BICR CYL SCREW DIN84 M-3X10	TOR.CIL.DIN84-4.8 BICR.M 3X10	VIS CYL BICR DIN84-4.8 M 3X10

* 206656 (COMPLETE) DOOR

ESCOTILLA COMPLETA

HUBLOT (COMPLET)

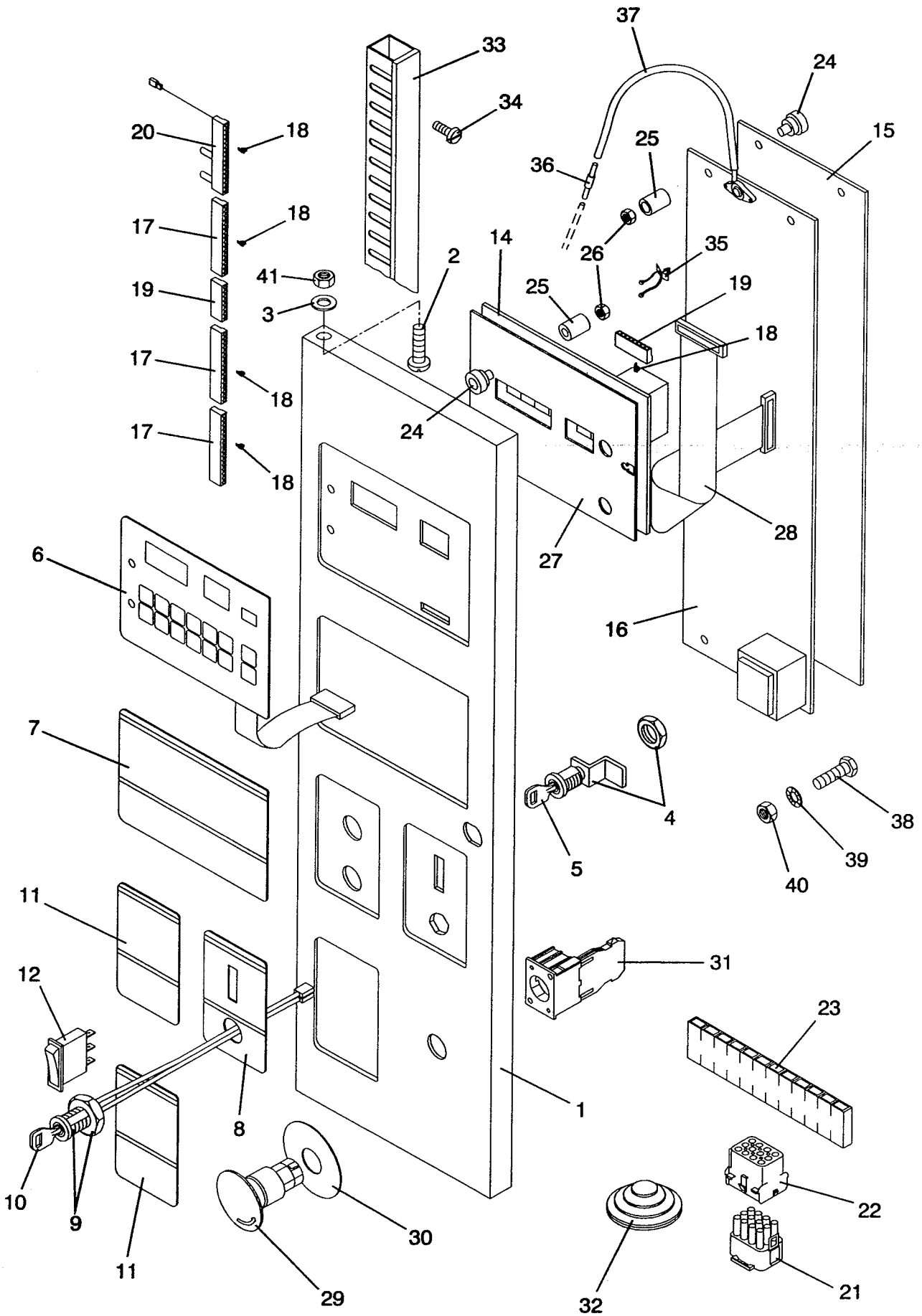


Nº	REF.	DENOMINATION	DENOMINACION	DÉNOMINATION
1	163360	TERMINAL BC 25/35 630655 (WITHOUT SWITCH DISCONNECTOR)	BORNA CIAMA BC 25/35 630655 (SIN INTERRUPTOR SECCIONADOR)	BORNE BC 25/35 630655 (SANS INTERRUPTEUR SECTIONNER)
2	192245	TERMINAL BCT 25 632112 (WITHOUT SWITCH DISCONNECTOR)	BORNA CIAMA BCT 25 632112 (SIN INTERRUPTOR SECCIONADOR)	BORNE BCT 25 632112 (SANS INTERRUPTEUR SECTIONNER)
3	146084	BICR CYL SCREW DIN84 M 4X 10	TOR.CIL.DIN84-4.8 BICR.M 4X10	VIS CYL BICR DIN84-4.8 M 4X 10
4	283739	CURRENT INLET COVER (WITHOUT SWITCH DISCONNECTOR)	TAPA ENTRADA CORRIENTE (SIN INTERRUPTOR SECCIONADOR)	COUVERCLE ENTREE COURANT (SANS INTERRUPTEUR SECTIONNER)
5	277590	CURRENT INPUT COVER (WITH SWITCH DISCONNECTOR)	TAPA ENTRADA CORRIENTE (CON INTERRUPTOR SECCIONADOR)	COUVERCLE ENTRÉE DE COURANT (AVEC INTERRUPTEUR SECTIONNER)
6	300384	PAQUET.SWITCH 3LD1 518-0TB53 (WITH SWITCH DISCONNECTOR)	INTERRUP.PAQUET.3LD1 518-0TB53 (CON INTERRUPTOR SECCIONADOR)	INTERRUPTEUR PAQUET.3LD1 518 (AVEC INTERRUPTEUR SECTIONNER)
7	300400	ACCESSOR FOR 3LD1:3LD9.100-5B (WITH SWITCH DISCONNECTOR)	ACCESOR.PARA 3LD1:3LD9 100-5C (CON INTERRUPTOR SECCIONADOR)	ACCESOR.POUR 3LD1:3LD9 100-5B (AVEC INTERRUPTEUR SECTIONNER)
8	166652	BIC.HEX SCREW DIN933-8.8 M8X15	TOR.EX.DIN933-8.8 BICR.M 8X 15	VIS HEX DIN933-8.8 BICR. M8X15
9	149518	BICR.WASHER B DIN125-ST 8,4	ARAN.B DIN125-ST BICR. 8,4	RONDELLE.B DIN125-ST BICR.8,4
10	278283	INSTALLATION BOX	CAJA INSTALACION	BOITE INSTALLATION
11	256412	INSTALLATION BOX BRACKET	SOPORTE CAJA INSTALACION	SUPPORT BOITE INSTALLATION
12	150201	BICR.HEX NUT DIN 934-8 M-8	TUER.EX.DIN934-8 BICR.M 8	ECROU HEX.DIN 934-8 BICR.M-8
13	240291	SIDE COVER	TAPA DOSIFICADORES	COUVERCLE LATERAUX
14	176800	HINGE RE 15186 CHROMED	BISAGRA INDAUX REF.15186 CROM.	CHARNIERE 15186 CHROM
16	144758	INOX LENS HEAD S.DIN963 M 3X15	TOR.AV.DIN963 INOX A2-70 M3X15	VIS T/FRAI.INOX DIN963 M 3X15
17	152132	INOX A2 WASHER DIN 125	ARAN. DIN125 INOX A2 3,2	RONDELLE INOX A2 DIN 125 3,2
18	149906	INOX. HEX. NUT DIN 934 M-3	TUERCA EX.INOX DIN934 M 3	ECROU HEX. INOX DIN934 M-3
19	240309	FRAME COVER FIXING	FIJACION TAPA CUADRO	FIXATION COUVERCLE CADRE
20	147694	INOX SCREW DIN7991M 5X25	TOR.AV.ALL.INOX DIN7991M 5X 25	VIS INOX DIN7991M 5X25
21	149369	INOX A2 WASHER DIN 125 5,3	ARAN. DIN125 INOX A2 5,3	RONDELLE INOX A2 DIN 125 5,3
22	149914	INOX HEX. NUT DIN 934 M-5	TUERCA EX.INOX DIN934 M 5	ECROU HEX. INOX DIN 934 M-5
23	145656	INOX FLAT SCREW DIN 85 M 5X10	TOR.PLA.DIN85 INOX A2-70 M5X10	VIS PLAT INOX DIN 85 M 5X10 A2
24	135939	CONTACTOR 3TF46 22-OAN2	CONTACTOR 3TF46 22-OAN2	CONTACTEUR 3TF46 22-OAN2
	193557	COIL 3TY7 463-OAN2	BOBINA 3TY7 463-OAN2	BOBINE 3TY7 463-OAN2
25	192278	CONTACTOR 3TF34 00-OAN2	CONTACTOR 3TF34 00-OAN2	CONTACTEUR 3TF34 00-OAN2
	302810	COIL 3TY7 443-OAN2	BOBINA 3TY7 443-OAN2	BOBINE 3TY7 443-OAN2
26	195339	CONTACTOR 3TF33 00-OAN2	CONTACTOR 3TF33 00-OAN2	CONTACTEUR 3TF33 00-OAN2

Nº	REF.	DENOMINATION	DENOMINACION	DÉNOMINATION
	194050	COIL 3TY7 403-OAN2	BOBINA 3TY7 403-OAN2	BOBINE 3TY7 403-OAN2
27	187021	THERMIC RELAY 3UA58 00-2F (FOR 200,208,220 AND 240V)	RELE TERM.3UA58 00-2F 32-50A (PARA 200,208,220 Y 240V)	RELAIS THERMIQUE 3UA58 00-2F (POUR 200,208,220 ET 240V)
	187013	THERMIC RELAY 3UA58 00-2D (FOR 380,415 AND 440V)	RELE TERM.3UA58 00-2D 20-32A (PARA 380,415 Y 440V)	RELAIS THERMIQUE 3UA58 00-2D (POUR 380,415 ET 440V)
28	187047	THERMIC RELAY 3UA55 00-2Q (FOR 200,208,220 AND 240V)	RELE TERM.3UA55 00-2Q 25-36A (PARA 200,208,220 Y 240V)	RELAIS THERMIQUE 3UA55 00-2Q (POUR 200,208,220 ET 240V)
	187039	THERMIC RELAY 3UA55 00-2C (FOR 380,415 AND 440V)	RELE TERM.3UA55 00-2C 16-25A (PARA 380,415 Y 440V)	RELAIS THERMIQUE 13UA55 00-2C (POUR 380,415 ET 440V)
29	148502	AUT.SWITCH 3VU13 00-1MM00 (FOR 200,208,220 AND 240V)	INTERRUPTOR AUT.3VU13 00-1MM00 (PARA 200,208,220 Y 240V)	INTERRUPTEUR AUT.3VU13 (POUR 200,208,220 ET 240V)
	175208	AUTOMATIC SWITCH 3VE1 010-2L (FOR 380,415 AND 440V)	INTERRUPTOR AUT.3VU13 00-1ML00 (PARA 380,415 Y 440V)	INTERRUPTEUR AUT.3VE1 010-2L (POUR 380,415 ET 440V)
32	177709	VARISTOR SKVA14A420	VARISTOR SKVA14A420	VARISTEUR SKVA14A420
33	155457	TERMINAL BC 4/6 R 638255	BORNA CIAMA BC 4/6 R 638255	BORNE BC 4/6 R 638255
34	155275	END COVER FC2 5/10	TAPA FIN.CIAMA FC2.5/10 635455	COUVERCLE FINAL FC2.5/10
35	142331	FIXING CLAMP	TOPE FIJACION LEGRAND 37200	BRIDE FIXATION
36	245571	CONTACTOR FIXING PROFILE	PERFIL FIJACION CONTACTORES	PROFILE FIXATION CONTACTEURS
37	146175	BICR CYL SCREW DIN84-4 M-5X10	TOR.CIL.DIN84-4.8 BICR.M 5X10	VIS CYL BICR DIN84-4.8.M-5X10
38	139683	CONE ECPC-6	CONO HIMEL ECPC-6	CONE ECPC-6
41	146282	BICR.HEX SCREW DIN933-8 M 5X15	TOR.EX.DIN933-8.8 BICR.M 5X 15	VIS HEX BICR.DIN933-8.8 M 5X15
42	149724	BICR EXT.TOOT.WASH.DIN6798 M5	ARAN.DEN.EXTER.BICR.DIN6798M 5	RONDEL DEN.EX.BICR.DIN6798 M5
43	150177	BICR HEX NUT DIN934-8 M5	TUER.EX.DIN934-8 BICR.M 5	ECROU HEX DIN934-8 BIC.M5
51	175224	RECTIFIER BRIDGE FB1006	PUENTE RECTIFIC.FAGOR FB1010	PONT RECTIFIEUR FB1006
52	199240	BICR.SCREW DIN963-4.8 M4X30	TOR.AV.DIN963-4.8 BICR M 4X30	VIS T/FRAIS.DIN963-4 BIC.M4X30
53	300467	CYLINDER SEPARATOR SS10-4 CPVC	SEPARADOR CILINDR.SS10-4 CPVC	SEPARATEUR CYLINDR.SS10-4 CPVC
54	183400	CYL.PLATE SCREW DIN7971 8X3/8"	TOR.CHAPA EX.ANAN.BICR.8X3/8"	VIS PLAQUE CYL.DIN7971 8X3/8"
55	199836	FILTER FRI FA-12	FILTRO DE RED RFI TIPO FA-12	FILTRE RFI FA-12
62	142406	CHANNEL RE. 40.30.77 (1 METER)	CANAL UNEX 40.30.77 (1 METRO)	CANAL REF. 40.30.77 (1 METRE)
63	140194	COUPLING PG-21 REF. 332104	RACOR PG-21 REF.332104	RACCORD PG-21 REF.332104
64	140269	COUNTERNUT PG-21	CONTRATUERCA PG-21	CONTREECROU PG-21
65	181701	LEGRAND CONE 91905	CONO LEGRAND 91905	CONE LEGRAND 91905

Nº	REF.	DENOMINATION	DENOMINACION	DÉNOMINATION
66	149112	CYL.PLATE SCREW DIN797110X3/4"	TOR.CHAPA CILI.DIN7971 10X3/4"	VIS PLAQUE CYL.DIN7971 10X3/4"
67	141911	LUCIFER PLATE 6866	PLACA LUCIFER 6866	PLAQUE LUCIFER 6866
68	186684	ELECTROVALVE 341L01E/1865 (FOR 60HZ)	ELECT.LUC.341L01E/1865 230V/60 (PARA 60 HZ)	ELECTROVANNE LUC.341L01E/1865 (POUR 60 HZ)
	190793	LUCIFER COIL 1865/230/60 (FOR 60HZ)	BOBINA LUCIFER 1865/230/60 (PARA 60 HZ)	BOBINE LUCIFER 1865/230/60 (POUR 60 HZ)
	186676	ELECTROVALVE 341L01E/1865 (FOR 50HZ)	ELECT.LUC.341L01E/1865 220V/50 (PARA 50 HZ)	ELECTROVANNE LUC. 341L01E/1865 (POUR 50 HZ)
	190785	LUCIFER COIL 1865/220/50 (FOR 50HZ)	BOBINA LUCIFER 1865/220/50 (PARA 50 HZ)	BOBINE LUCIFER 1865/220/50 (POUR 50 HZ)
70	186668	ELBOW CONNEXION REF.3109.06.13	CONEXION CODO REF.3109.06.13	CONNECTION COUDE RE.3109.06.13
71	128140	NYLON HOSE D6X4 TYPE CETOP (1 METER)	TUBO NYLON D6X4 TIPO CETOP (1 METRO)	TUBE NYLON D6X4 TYPE CETOP (1 METRE)
72	186692	ELBOW CONNECTION RE.3109.08.13	CONEXION CODO REF.3109.08.13	CONNEXION COUDE REF.3109.08.13
73	128173	NYLON HOSE D8X6 TYPE CETOP (1 METER)	TUBO NYLON D8X6 TIPO CETOP (1 METRO)	TUBE NYLON D8X6 TYPE CETOP (1 METRE)
74	186577	MULTIPLE T RE. 3304.10.08	T MULTIPLE REF.3304.10.08	T MULTIPLE REF. 3304.10.08
75	186650	PLUG RE. 3126.08.00	TAPON REF.3126.08.00	BOUCHON REF. 3126.08.00
76	186643	PLUG RE. 3136.10.00	TAPON REF.3126.10.00	BOUCHON REF. 3136.10.00
77	186635	NYLON HOSE D10X8 CETOP TYPE (1 METER)	TUBO NYLON D10X8 TIPO CETOP (1 METRO)	TUBE NYLON D10X8 TYPE CETOP (1 METRE)
80	140509	CLAMP 2273-0	BRIDA UNEX 2273-0	BRIDE 2273-0
81	140525	CLAMP 2244-0	BRIDA UNEX 2244-0	BRIDE 2244-0
82	140434	CLAMP 2221	BRIDA UNEX 2221	BRIDE 2221
83	150185	BICR.HEX.NUT DIN934-8 M4	TUER.EX.DIN934-8 BICR.M 4	ECROU HEX.DIN934-8 BICR.M4
84	149476	BICR.WASHER B DIN125-ST 4,3	ARAN.B DIN125-ST BICR. 4,3	RONDELLE B DIN125-ST BICR.4,3
85	160119	FUSE HOLDER REF.FEC 031 1631	PORTAFUSIBLES REF.FEC.031.1631	PORTE-FUSIBLE REF.FEC 031 1631
86	137661	BAYONET HEAD (FOR FUSE 6X32)	CABEZA BAYONETA FEK.031.1613 (PARA CARTUCHO 6X32)	TETE BAYONETTE (POUR CARTOUCHE 6X32)
	192286	BAYONET HEAD (FOR FUSE 5X20)	CABEZA BAYONETA FEK.031.1611 (PARA CARTUCHO 5X20)	TETE BAYONETTE (POUR CARTOUCHE 5X20)
87	182485	FUSE FST 0034.5225 1A (FOR FUSE 6X32)	CART.FUSIBLE FST 0034.5225 1A (PARA CARTUCHO 6X32)	CARTOUCHE FUS.FST 0034.5225 1A (POUR CARTOUCHE 6X32)
	302612	FUSE FSD 0034.3987 1A (FOR FUSE 5X20)	CART.FUSIBLE FSD 0034.3987 1A (PARA CARTUCHO 5X20)	CARTOUCHE FUSIBLE FSD 0034 1A (POUR CARTOUCHE 5X20)

N°	REF.	DENOMINATION	DENOMINACION	DÉNOMINATION
88	196931	TRANSFORMER IP00 160 VA	TRANSFORMADOR IP00 160 VA	TRANSFORMATEUR IP00 160 VA
89	149534	BICR.WASHER B DIN125-ST 5,3	ARAN.B DIN125-ST BICR. 5,3	RONDELLE B BICR.DIN125-ST 5,3
91	193466	AUX. CONTACT BLOCK 3TX4001-2A	BLOQUE CONTACTO AUX.3TX4001-2A	BLOC CONTACT AUX. 3TX4001-2A
92	193458	AUX. CONTACT BLOCK 3TX4010-2A	BLOQUE CONTACTO AUX.3TX4010-2A	BLOC CONTACT AUX. 3TX4010-2A



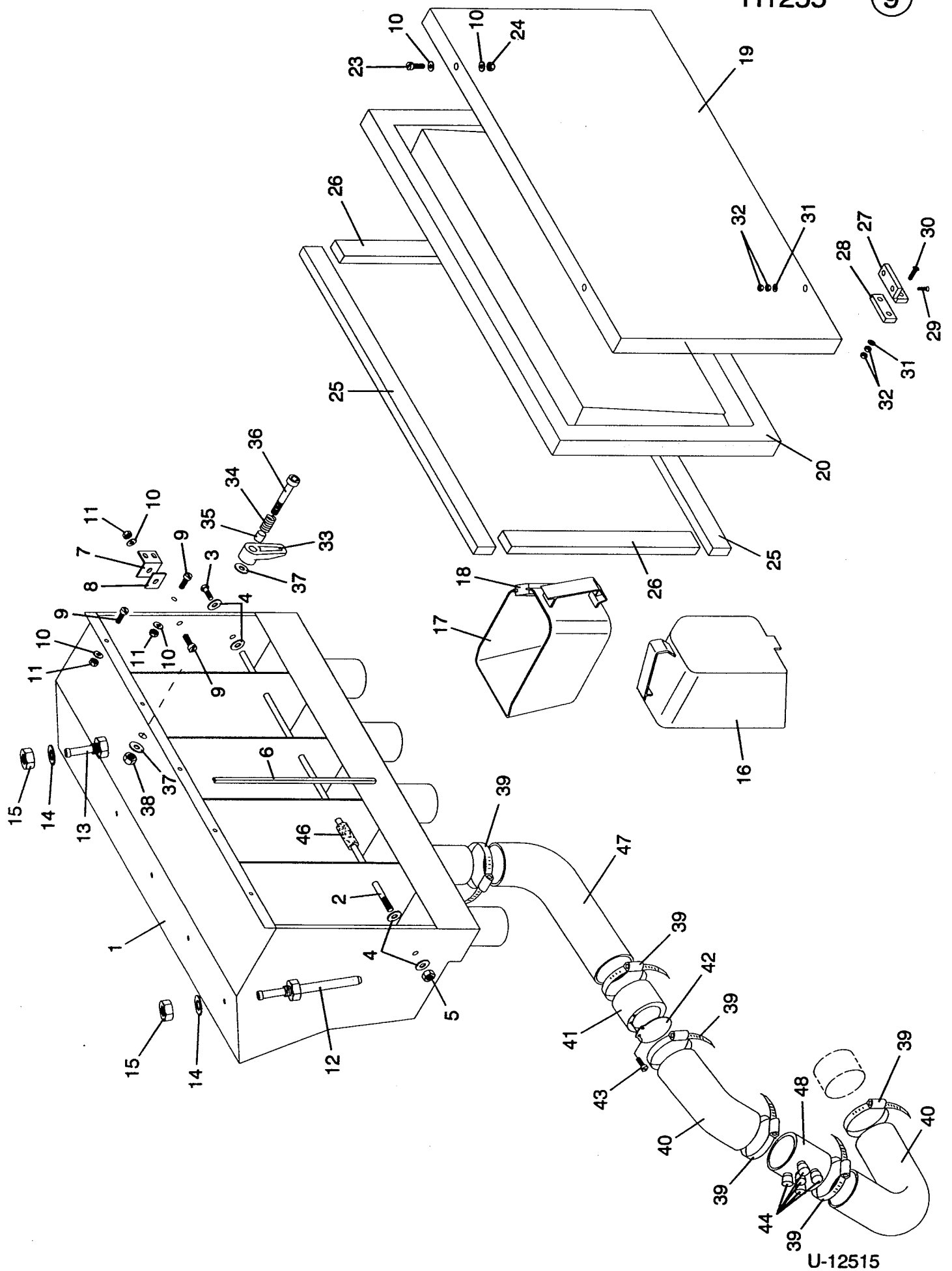
Nº	REF.	DENOMINATION	DENOMINACION	DÉNOMINATION
1	276675	SIDE CONTROL PANEL	PANEL DE MANDOS LATERAL	PANNEAU COMMANDES LATERAL
2	146134	BICR CYL SCREW DIN84 M-5X20	TOR.CIL.DIN84-4.8 BICR.M 5X20	VIS CYL BICR DIN84-4.8 M-5X20
3	149534	BICR.WASHER B DIN125-ST 5,3	ARAN.B DIN125-ST BICR. 5,3	RONDELLE B BICR.DIN125-ST 5,3
4	196915	LOCK RE.20.09.24 (KEYS INCLUDED)	CERRADURA REF.20.09.24 (INCLUYE LLAVES)	FERMETURE REF.20.09.24 (CLES COMPRISES)
5	196923	LOCK KEY RE.104.12.13	LLAVE REF.104.12.13	CLE FERMETURE REF.104.12.13
6	289249	PM WASHER KEYBOARD	TECLADO LAVADORA PM	CLAVIER LAVEUSE PM
7	303982	CONTINENTAL OPERAT.INSTR.PLATE (FOR USA AND CANADA ONLY)	PLACA INSTR. FUNCION CONTINENT (SOLO PARA USA Y CANADA)	PLAQUE INSTR.FONCT.CONTINENTAL (SEULEMENT POUR USA ET CANADA)
	301440	ENGLISH OPERATION INSTR.PLATE (EXCEPT FOR USA AND CANADA)	PLACA INSTR.FUNCION. IN. (EXCEPTO PARA USA Y CANADA)	PLAQUE INSTR.FONCTION ANGLAIS (SAUF POUR USA ET CANADA)
	301457	SPANISH OPERATION INSTR.PLATE	PLACA INSTR.FUNCION. ES.	PLAQUE INSTR.FONCTION ESPAGNOL
	301465	FRENCH OPERATION INSTR.PLATE	PLACA INSTR.FUNCION. FR.	PLAQUE INSTR.FONCTION FRANCAIS
8	304097	GENERAL CONTROL PLATE (FOR USA AND CANADA ONLY)	PLACA MANDOS GENERALES (SOLO PARA USA Y CANADA)	PLAQUE COMMANDES GENERALES (SEULEMENT POUR USA ET CANADA)
	301994	GENERAL CONTROL PLATE (EXCEPT FOR USA AND CANADA)	PLACA MANDOS GENERALES (EXCEPTO PARA USA Y CANADA)	PLAQUE COMMANDES GENERALES (SAUF POUR USA ET CANADA)
9	256230	FUNCTION SWITCH (KEYS INCLUDED)	COMUTADOR FUNCIONES (INCLUYE LLAVES)	COMMUTATEUR FONCTIONS (CLES COMPRISES)
10	189480	KEY FOR LOCK 3355/13	LLAVE PARA CERRADURA 3355/13	CLE POUR FERMETURE 3355/13
11	304030	CONTINENTAL SAFETY INSTR.PLATE (FOR USA AND CANADA ONLY)	PLACA INSTR.SEGURIDAD CONT. (SOLO PARA USA Y CANADA)	PLAQUE INSTR.SECUR.CONTINENTAL (SEULEMENT POUR USA ET CANADA)
	301069	ENGLISH SAFETY INSTR.PLATE (EXCEPT FOR USA AND CANADA)	PLACA INSTR.SEGURIDAD IN. (EXCEPTO PARA USA Y CANADA)	PLAQUE INSTR.SECURITE ANGLAIS (SAUF POUR USA ET CANADA)
	301077	SPANISH SAFETY INSTR.PLATE	PLACA INSTR.SEGURIDAD ES.	PLAQUE INSTR.SECURITE ESPAGNOL
	301085	FRENCH SAFETY INSTR.PLATE	PLACA INSTR.SEGURIDAD FR.	PLAQUE INSTR.SECURITE FRANCAIS
12	300780	SWITCH 1WIXII/3359 WHITE	INTER.PILOTO 1WIXII/3359 BLANC	INTERRUPTEUR 1WIXII/3359 BLANC
13	189720	NON TILTING PLATE	PLACA NO BASCULANTE	PLAQUE NON BASCULANT
14	302091	TILTING-DISPLAY PLATE	PLACA DISPLAY-BASCULANTE	PLAQUE DISPLAY-BASCULANT
	188003	DISPLAY TDSR 5160	DISPLAY TDSR 5160	DISPLAY TDSR 5160
15	278317	PROCESSOR ISOLATOR	AISLANTE MICROPROCESADOR	ISOLANT MICROPROCESSEUR
16	300806	PROCESSOR BOARD PM	PLACA MICROPROCESADOR PM	PLAQUE MICROPROCESSEUR PM
	303347	EPROM FOR WAHER PM3 VER2	EPROM LAVADORAS PM3 VER2	EPROM POUR MACH.A LAVER PM3 V2
	187195	RAM ZERO POWER MK48Z08-10	RAM ZERO POWER MK48Z08-10	RAM ZERO POWER MK48Z08-10

Nº	REF.	DENOMINATION	DENOMINACION	DÉNOMINATION
	187203	INPUT OPTOISOLATOR 4N26	OPTOACOPLADOR ENTRADA 4N26	OPTOISOLATOR ENTREE 4N26
	187211	OUTPUT OPTOISOLATOR S21MD4V	OPTOACOPLADOR SALIDA S21MD4V	OPTOISOLATOR SORTIE S21MD4V
17	197301	PROTECTOR AMP-UNYT 1-640029-6	PROTECTOR AMP-UNYT 1-640029-6	PROTECTEUR AMP-UNYT 1-640029-6
18	197426	POLARIZATION AMP 640180-1	POSICIONADOR AMP 640180-1	POLARIZATION AMP 640180-1
19	199810	PROTECTOR AMP-UNYT 640029-8	PROTECTOR AMP-UNYT 640029-8	PROTECTEUR AMP-UNYT 640029-8
20	279216	IDENTIFICATION PLUG	CONECTORA IDENTIFICACION	CONNECTEUR IDENTIFICATION
21	139410	PROTECTOR 1/480708-0	PROTECTOR 1/480708-0	PROTECTEUR 1/480708-0
22	139402	PROTECTOR 1/480709-0	PROTECTOR 1/480709-0	PROTECTEUR 1/480709-0
23	135442	CONNECTION-BOARD MAI E-ST-1	REGLETA MAI E-ST-1 PLANA 12ELE	REGLETTE MAI E-ST-1 12ELE
24	277392	PLATE-CONTROL SEPARATOR	SEPARADOR PANEL-PLACA	SEPARATEUR TABLEAU-PLAQUE
25	277400	NUT-PLATE SEPARATOR	SEPARADOR PLACA-TUERCA	SEPARATEUR PLAQUE-ECROU
26	150185	BICR.HEX.NUT DIN934-8 M4	TUER.EX.DIN934-8 BICR.M 4	ECROU HEX.DIN934-8 BICR.M4
27	282327	DISPLAY PLATE ISOLATOR	AISLANTE PLACA DISPLAY	ISOLANT PLAQUE DISPLAY
28	302182	DISPLAY CONNECTION WIRE	CABLE CONEXION DISPLAY	CABLE CONNECTION DISPLAY
29	192310	MUSHROOM PUSH-BUTTON	PUL.HONGO ENCL.3SB10 00-1AC 01	PULSATEUR TYPE COUP DE POING
30	192294	YELLOW RING	ARO AMARILLO	BAGUE JAUNE
31	197343	CONNECTION ELEMENT 3SB13 20-0A	ELEMENTO CONEXION 3SB13 20-0A	ELEMENT CONNEXION 3SB13 20-0A
32	139683	CONE ECPC-6	CONO HIMEL ECPC-6	CONE ECPC-6
33	282970	CONTROL PANEL CHANNEL	CANAL PANEL MANDOS	CHANNEL PANNEAL COMMANDES
34	183400	CYL.PLATE SCREW DIN7971 8X3/8"	TOR.CHAPA EX.ARAN.BICR.8X3/8"	VIS PLAQUE CYL.DIN7971 8X3/8"
35	199893	CLAMP STL-3N-450	ABRAZADERA STL-3N-450	BRIDE STL-3N-450
36	120956	LEVEL PRESSURE-SWITCH INTAKE	TOMA PRESOSTATO NIVEL	PRISE PRESSOSTAT NIVEAU
37	279588	AIR CONDUCTION HOSE	TUBO CONDUCCION AIRE	TUBE CONDUITE AIR
38	146290	BICR.HEX SCREW DIN933-8 M-5X20	TOR.EX.DIN933-8.8 BICR.M 5X 20	VIS HEX BICR.DIN933-8.8 M-5X20
39	149724	BICR EXT.TOOT.WASH.DIN6798 M5	ARAN.DEN.EXTER.BICR.DIN6798M 5	RONDEL DEN.EX.BICR.DIN6798 M5
40	150177	BICR HEX NUT DIN934-8 M5	TUER.EX.DIN934-8 BICR.M 5	ECROU HEX DIN934-8 BIC.M5
41	176826	SELF-BLOCKING NUT DIN 985 M-5	TUER.AUTOBL.DIN985-8 BICR.M 5	ECROU AUTOBLOCANT DIN 985 M-5



H1255

9



U-12515

Nº	REF.	DENOMINATION	DENOMINACION	DÉNOMINATION
1	255539	SOAP DISPENSER SET (PIN AND PROFILES INCLUDES)	CONJUNTO DOSIFICADORES (INCLUYE VARILLA Y PERFILES)	ENSEMBLE BACS A PRODUITS BAGUETTE ET PROFILES COMPRIS
2	255554	SOAP DISPENSER BAR	VARILLA DOSIFICADOR	BAGUETTE BAC A PRODUITS
3	144782	INOX HEX SCREW DIN933 M 5X15	TOR.EX.INOX DIN933 M 5X 15	VIS HEX INOX DIN933 M 5X15
4	160838	WASHER 14X6X1,5	ARANDELA 14X6X1,5	RONDELLE 14X6X1,5
5	176826	SELF-BLOCKING NUT DIN 985 M-5	TUER.AUTOBL.DIN985-8 BICR.M 5	ECROU AUTOBLOCANT DIN 985 M-5
6	255547	SOAP DISPENSER PROFILE	PERFIL DOSIFICADORES	PROFILE BACS A PRODUITS
7	256370	SOAP DISPENSER FIXING	FIJACION DOSIFICADOR	FIXATION BAC A PRODUITS
8	256446	SOAP DISPENSER BRACKET PIECE	PIEZA SOPORTE DOSIFICADOR	PIECE SUPPORT BAC A PRODUITS
9	145631	INOX FLAT SCREW DIN85 M 4X15	TOR.PLA.DIN85 INOX A2-70 M4X15	VIS PLAT INOX DIN85 M 4X15 A2
10	149328	INOX A2 WASHER DIN 125 4,3	ARAN. DIN125 INOX A2 4,3	RONDELLE INOX A2 DIN 125 4,3
11	176792	INOX SELF-BLOCK.NUT DIN985 M 4	TUER.AUTOBL.DIN985 INOX M 4	ECROU AUTOBLOC.INOX DIN985 M 4
12	244467	DISPENSER HOSE	TUBO DOSIFICADOR	TUBE BAC A PRODUITS
13	242883	DISPENSER HOSE COUPLING	RACOR TUBO DOSIFICADOR	RACCORD TUBE BAC A PRODUITS
14	149393	BICR WASHER B DIN125-ST 15	ARAN.B DIN125-ST BICR.15	RONDELLE B BICR DIN125-ST 15
15	150250	BICR HEX.NUT DIN 934-8 M 14	TUER.EX.DIN934-8 BICR.M14	ECROU HEX.BICR DIN 934-8 M 14
16	244806	SOLID SOAP DISPENSER	DOSIFICADOR DETERGENTE SOLIDO	BAC A PRODUIT DETERGENT SOLIDE
17	244855	LIQUID SOAP DISPENSER (HOSE INCLUDED)	DOSIFICADOR DETERGENTE LIQUIDO (INCLUYE TUBO)	BAC A PRODUIT DETERG.LIQUIDE (TUBE COMPRIS)
18	234930	CHLORINE INTAKE HOSE	TUBO ASPIRACION CLORO	TUBE ASPIRATION CHLORE
19	240291	SIDE COVER	TAPA DOSIFICADORES	COUVERCLE LATERAUX
20	199992	SOAP DISPENSER COUNTERLID	CONTRATAPA DOSIFICADORES	CONTRECOUVERCLE BAC A PRODUITS
23	145649	INOX FLAT SCREW DIN85 M 4X10	TOR.PLA.DIN85 INOX A2-70 M4X10	VIS PLAT INOX DIN85 M-4X10 A2
24	149922	INOX HEX. NUT DIN 934 M-4	TUERCA EX.INOX DIN934 M 4	ECROU HEX. INOX DIN 934 M-4
25	256792 &	SOAP DISPENSER COVER GASKET	JUNTA TAPA DOSIFICADORES	JOINT COUVERCLE BAC A PRODUITS
26	244608 &	DISPENSERS LID GASKET	JUNTA TAPA DOSIFICADORES.	JOINT COUVERCLE BAC A PRODUITS
27	176800	HINGE RE 15186 CHROMED	BISAGRA INDAUX REF.15186 CROM.	CHARNIERE 15186 CHROM
28	244590	HINGE SUPPLEMENT	SUPLEMENTO BISAGRA	SUPPLEMENT CHARNIERE
29	176784	INOX SCREW DIN 963 M-3X10 A270	TOR.AV.DIN963 INOX A2-70 M3X10	VIS INOX DIN 963 M-3X10 A2-70
30	144758	INOX LENS HEAD S.DIN963 M 3X15	TOR.AV.DIN963 INOX A2-70 M3X15	VIS T/FRAI.INOX DIN963 M 3X15
31	152132	INOX A2 WASHER DIN 125	ARAN. DIN125 INOX A2 3,2	RONDELLE INOX A2 DIN 125 3,2

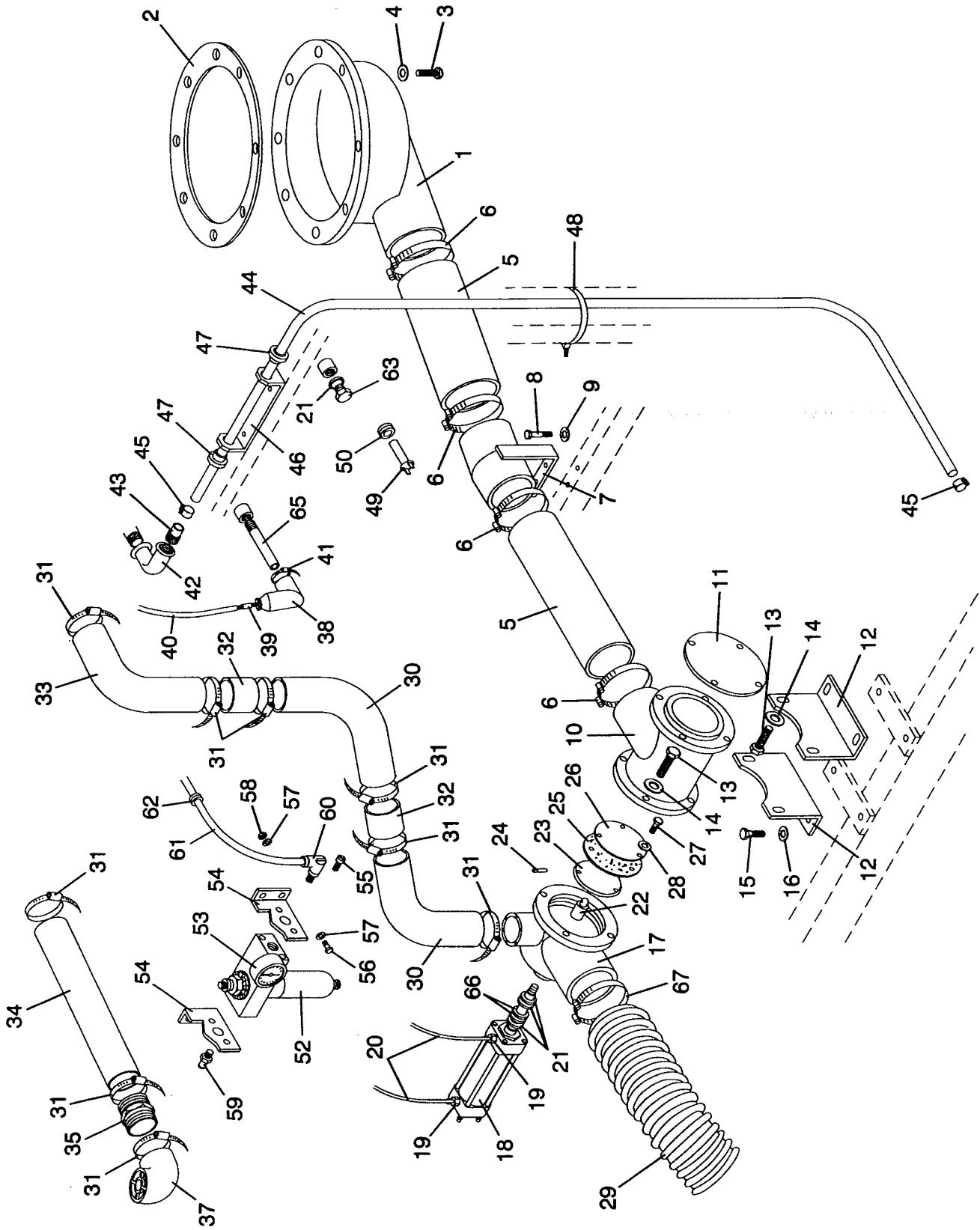
Nº	REF.	DENOMINATION	DENOMINACION	DÉNOMINATION
32	149906	INOX. HEX. NUT DIN 934 M-3	TUERCA EX. INOX DIN934 M 3	ECROU HEX. INOX DIN934 M-3
33	187393	LOCKING HANDLE	MANECILLA CIERRE	POIGNEE FERMETURE
34	187401	LOCKING HANDLE SPRING	MUELLE MANECILLA CIERRE	RESSORT POIGNEE FERMETURE
35	257469	HANDLE HOSE	TUBO MANECILLA	TUBE POIGNEE
36	144436	ALLEN SCREW DIN912 M8X45	TORNILLO ALLEN DIN912 M 8X45	VIS ALLEN DIN912 M8X45
37	149351	INOX A2 WASHER DIN 125 8,4	ARAN. DIN125 INOX A2 8,4	RONDELLE INOX A2 DIN 125 8,4
38	164285	SELFBLOCKING NUT DIN985 M-8	TUER.AUTOBL.DIN985-8 BICR.M 8	ECROU AUTOBLOCANT DIN985 M-8
39	132340	CLAMP 301510-0 D80-100	ABRAZ.MIKALOR 301510-0D80-100	BRIDE 301510-0 D80-100
40	175083	WATER INLET ELBOW	CODO ENTRADA AGUA	COUDE ENTREE EAU
41	263962	STOPPER (MEMBRANE INCLUDED)	OBTURADOR (INCLUYE MEMBRANA)	OBTURATEUR (COMPRIS MEMBRANE)
42	263954	STOPPER MEMBRANE	MEMBRANA OBTURADOR	OBTURATEUR MEMBRANE
43	192203	INOX PLATE SCREW DIN7971 4X1/2	TOR.CHAPA INOX.DIN7971 4X1/2"	VIS PLAQUE INOX DIN7971 4X1/2"
46	271924	SOAP DISPENSER ROD PROTECTION	FUNDA VARILLA DOSIFICADOR	FOURREAU BAGUET.BAC A PRODUITS
47	163253	DRAIN OUTLET HOSE	TUBO SALIDA DESAGÜE	TUBE SORTIE VIDANGE
48	220061	SOAP INLET JOINTING	UNION ENTRADA DETERGENTE	UNION ENTREE DETERGENT

& 131888 1 METER 15X20 PROFILE

1 METRO PERFIL 15X20

1 METRE PROFILE 15X20





Nº	REF.	DENOMINATION	DENOMINACION	DÉNOMINATION
1	255976	DRAIN PLATE	PLATINA DESAGÜE	PLATINE VIDANGE
2	255984	PLATE GASKET	JUNTA PLATINA	JOINT PLATINE
3	145037	INOX HEX SCREW DIN 933 M-10X30	TOR.EX. INOX DIN933 M10X 30	VIS HEX INOX DIN 933 M-10X30
4	149500	BICR.WASHER B DIN125-ST 10,5	ARAN.B DIN125-ST BICR.10,5	RONDELLE B DIN125-ST BICR.10,5
5	185330	DRAIN HOSE	TUBO DESAGÜE	TUBE VIDANGE
6	196501	MIKALOR CLAMP 301817-5D140-148	ABRAZ.MIKALOR 301817-5D140-148	BRIDE MIKALOR 301817-5D140-148
7	213280	DRAIN HOSE SLEEVE	MANGUITO TUBOS DESAGÜE	FRETTE TUBES VIDANGE
8	166652	BIC.HEX SCREW DIN933-8.8 M8X15	TOR.EX.DIN933-8.8 BICR.M 8X 15	VIS HEX DIN933-8.8 BICR. M8X15
9	149518	BICR.WASHER B DIN125-ST 8,4	ARAN.B DIN125-ST BICR. 8,4	RONDELLE.B DIN125-ST BICR.8,4
10	255885	DRAIN BODY	CUERPO DESAGÜE	CORPS VIDANGE
11	255877	DRAIN BODY COVER	TAPA CUERPO DESAGÜE	COUVERCLE CORPS VIDANGE
12	256255	DRAIN BRACKET	SOPORTE DESAGÜE	SUPPORT VIDANGE
13	147025	HEX SCREW 8G DIN 933 M-12X30	TOR.EX.DIN933-8.8 BICR.M12X 30	VIS HEX. 8G DIN933 M-12X30
14	149419	BICR.WASHER B DIN125-ST 13	ARAN.B DIN125-ST BICR.13	RONDELLE B DIN125-ST BICR.13
15	146480	BICR.HEX SCREW DIN933-8 M10X20	TOR.EX.DIN933-8.8 BICR.M10X 20	VIS HEX BICR.DIN933-8 M 10X20
16	149500	BICR.WASHER B DIN125-ST 10,5	ARAN.B DIN125-ST BICR.10,5	RONDELLE B DIN125-ST BICR.10,5
17	213496	DRAIN BODY COVER	TAPA CUERPO DESAGÜE	COUVERCLE CORPS VIDANGE
18	186551	PNEUMATIC CYLINDER M-920/75	CILINDRO NEUM.RM-920/75	CYLINDRE PNEUMATIQUE M-920/75
	193532	KIT FOR CYLINDER M920	KIT(BOLSA C)PARA CILINDRO M920	KIT POUR CYLINDRE M920
19	186569	CONNECTION RE. 3101.06.13	CONEXION RECTA REF.3101.06.13	CONNEXION REF. 3101.06.13
20	128140	NYLON HOSE D6X4 TYPE CETOP (1 METER)	TUBO NYLON D6X4 TIPO CETOP (1 METRO)	TUBE NYLON D6X4 TYPE CETOP (1 METRE)
21	185165	TEIGHTNESS GASKET TYPE G	JUNTA ESTAN.TIPO G REF.1383300	JOINT ETANCHEITE TYPE G
22	213520	LOCK HEAD	CABEZA DEL CIERRE	TETE DE LA FERMETURE
23	213512	DRAIN LOCK	CIERRE DESAGÜE	FERMETURE VIDANGE
24	216762	DRAIN LOCKING BOLT	PASADOR CIERRE DESAGÜE	GOUJON FERMETURE VIDANGE
25	213538	DRAIN MEMBRANE	MEMBRANA DESAGÜE	MEMBRANE VIDANGE
26	216598	MEMBRANE FIXING DISK	DISCO FIJACION MEMBRANA	DISQUE FIXATION MEMBRANE
27	144964	INOX HEX SCREW DIN 933 M-8X15	TOR.EX. INOX DIN933 M 8X 15	VIS HEX INOX DIN 933 M-8X15
28	149351	INOX A2 WASHER DIN 125 8,4	ARAN. DIN125 INOX A2 8,4	RONDELLE INOX A2 DIN 125 8,4

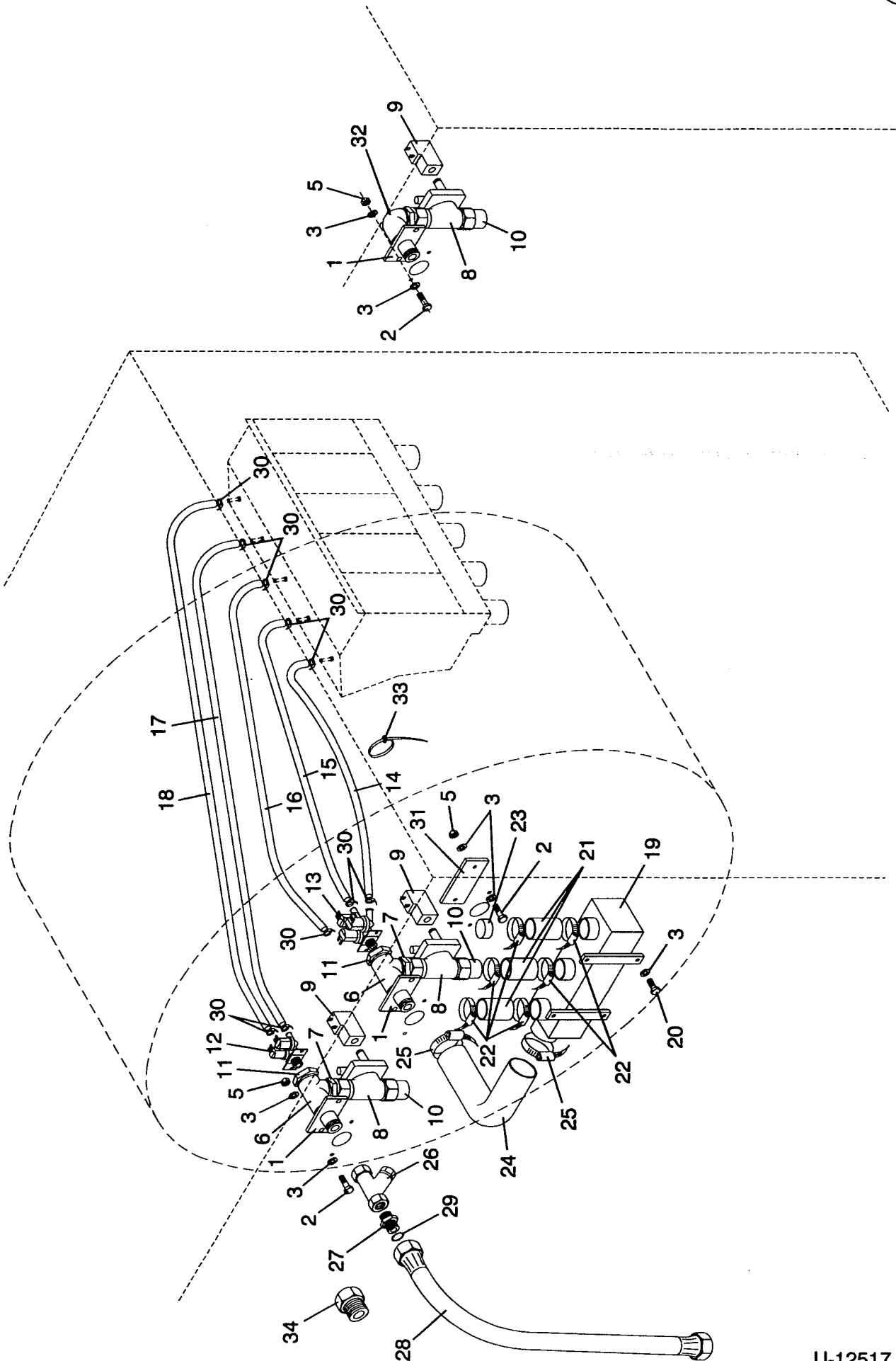
Nº	REF.	DENOMINATION	DENOMINACION	DÉNOMINATION
29	257170	DRAIN OUTLET HOSE	TUBO SALIDA DESAGÜE	TUBE SORTIE VIDANGE
30	163204	DRAIN HOSE	TUBO DESAGUE	TUBE VIDANGE
31	132340	CLAMP 301510-0 D80-100	ABRAZ.MIKALOR 301510-0D80-100	BRIDE 301510-0 D80-100
32	194217	OBTURATOR HOSE	TUBO OBTURADOR	TUBE OBTURATEUR
33	250647	DRAIN HOSE	TUBO DESAGÜE	TUBE VIDANGE
34	278226	VAPOUR OUTLET HOSE	TUBO SALIDA VAHOS	TUBE SORTIE VAPEURS
35	303107	DOUBLE THREAD BUTTRESS 2-1/2"	MACHON DOBLE ROSCA 2-1/2" PVC	PILIER DOUBLE FILET 2-1/2" PVC
37	300442	EXHAUST ELBOW	CODO SALIDA VAHOS	COUDE SORTIE VAPEURS
38	120964	PRESSURE SWITCH INTAKE BODY	CUERPO TOMA PRESOSTATO	CORPS PRISE PRESSOSTAT
39	120956	LEVEL PRESSURE-SWITCH INTAKE	TOMA PRESOSTATO NIVEL	PRISE PRESSOSTAT NIVEAU
40	283556 &	PRESSOSTAT HOSE	TUBO PRESOSTATO	TUBE PRESSOSTAT
41	132290	CLAMP 301508-9 D50-70	ABRAZ.MIKALOR 301508-9 D50-70	BRIDE 301508-9 D50-70
42	129445	ELBOW FIG. 90 1/2" GALV.	FIGURA 90 DE 1/2" GALV.	COUDE FIG. 90 1/2" GALV.
43	200063	BEARING CASE DRAIN	DESAGÜE CAJA COJINETES	VIDANGE BOITE ROULEMENTS
44	283549	BEARING BOX DRAIN HOSE	TUBO DESAGÜE CAJA COJINETES	TUBE VIDANGE BOITE ROULEMENTS
45	156109	CLAMP 301503-8 D16-25	ABRAZ.MIKALOR 301503-8 D16-25	BRIDE 301503-8 D16-25
46	255943	DRAIN HOSE BRACKET	SOPORTE TUBO DESAGÜE	SUPPORT TUBE VIDANGE
47	139683	CONE ECPC-6	CONO HIMEL ECPC-6	CONE ECPC-6
48	140509	CLAMP 2273-0	BRIDA UNEX 2273-0	BRIDE 2273-0
49	193862	NTC RESISTANCE 2322 640 90034	RESISTENCIA NTC 2322 640 90042	RESISTANCE NTC 2322 640 90034
51	160101	THERMOSTAT INTAKE STOPPER	TAPON TOMA THERMOSTATO	BOUCHON PRISE THERMOSTAT
52	186585	FILTER B10-200-M3MD 1/4"	FILTRO B10-200-M3MD 1/4"	FILTRE B10-200-M3MD 1/4"
53	186593	MANOMETER 3-50/11/A	MANOMETRO 3-50/10/A	MANOMETRE 3-50/11/A
54	186601	BRACKET SET 18.001-971	JUEGO SOPORTES FIJ. 18.001-971	JEU SUPPORTS 18.001-971
55	168435	BICR CYL SCREW DIN84-4.8 M5X 8	TOR.CIL.DIN84-4.8 BICR.M 5X 8	VIS CYL BICR DIN84-4.8 M 5X 8
56	146258	BIC.HEX SCREW DIN933-8.8 M4X10	TOR.EX.DIN933-4.8 BICR.M 4X 15	VIS HEX DIN933-8.8 BICR.M 4X10
57	149476	BICR.WASHER B DIN125-ST 4,3	ARAN.B DIN125-ST BICR. 4,3	RONDELLE B DIN125-ST BICR.4,3
58	150185	BICR.HEX.NUT DIN934-8 M4	TUER.EX.DIN934-8 BICR.M 4	ECROU HEX.DIN934-8 BICR.M4
59	186619	THREADED PIN 1/4" REF.1231013	ESPIGA ROSCADA 1/4"REF.1231013	BAGUETTE FILETE 1/4"RE.1231013
60	186627	ELBOW CONNECTION RE.3109.10.13	CONEXION CODO REF.3109.10.13	CONNEXION COUDE REF.3109.10.13

Nº	REF.	DENOMINATION	DENOMINACION	DÉNOMINATION
61	186635	NYLON HOSE D10X8 CETOP TYPE (1 METER)	TUBO NYLON D10X8 TIPO CETOP (1 METRO)	TUBE NYLON D10X8 TYPE CETOP (1 METRE)
62	157198	THERMOSTAT SHEATH LODGING	PASAMUROS TERMOSTATO	LOGEMENT THERMOSTAT
63	185207	10805 PLUG 1" (FOR MACHINES WITHOUT STEAM)	10805 TAPON 1" (PARA MODELOS SIN VAPOR)	10805 BOUCHON 1" (POUR MACHINES SANS VAPEUR)
65	216812	PRESSOSTAT INTAKE HOSE	TUBO TOMA PRESOSTATO	TUBE PRISE PRESSOSTAT
66	259606	WASHER 40X34X0,4	ARANDELA 40X34X0,4	RONDELLE 40X34X0,4
67	166660	CLAMP 301819-7D131-139	ABRAZ.MIKALOR 301816-7D131-139	BRIDE 301819-7D131-139

& 128199 1 METER RUBBER HOSE D 9X 5

1 METRO TUBO GOMA D 9X 5

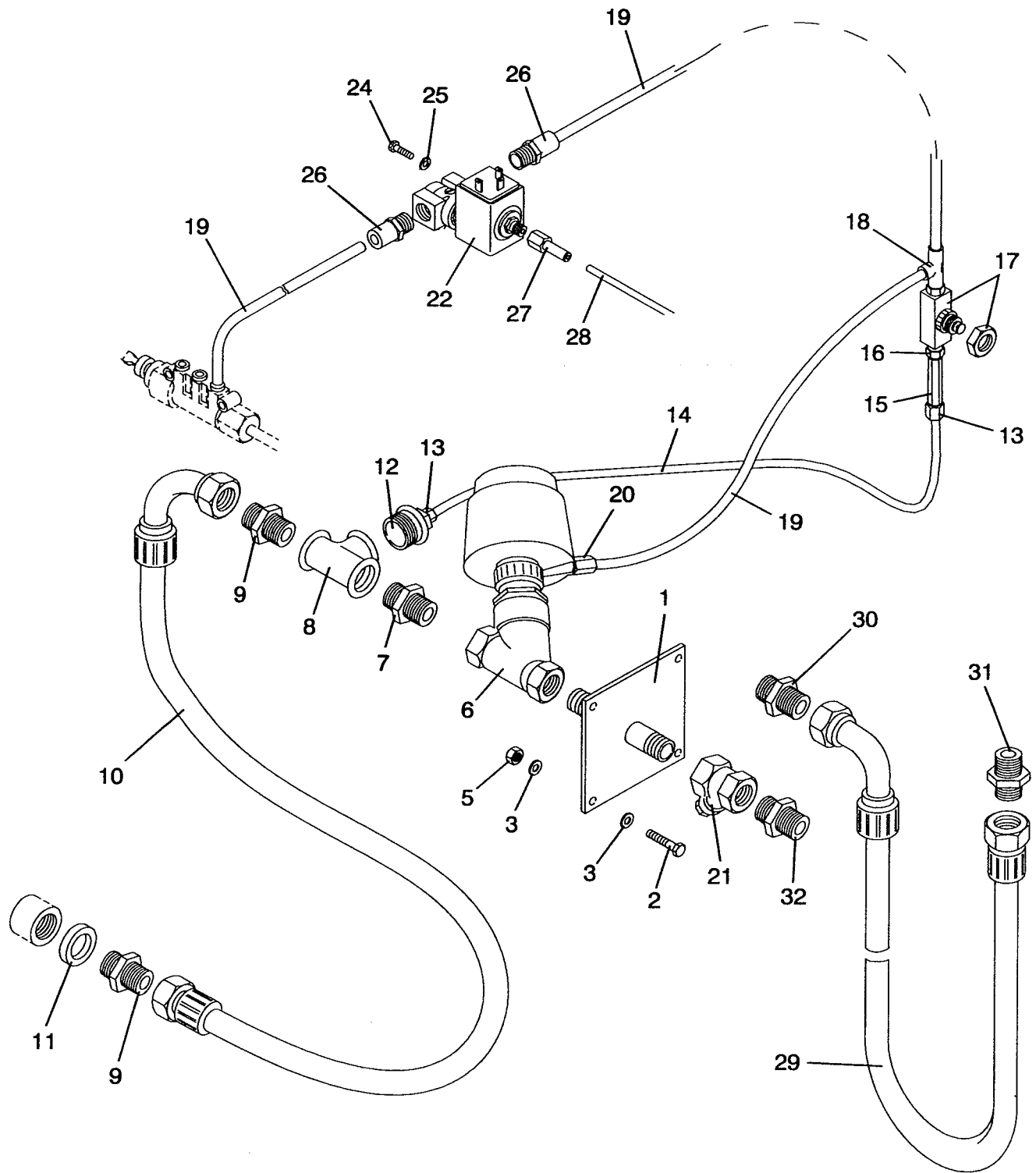
1 METRE TUBE GOMME D 9X 5



Nº	REF.	DENOMINATION	DENOMINACION	DÉNOMINATION
1	206037	ELECTROVALVE BRACKET	SOPORTE ELECTROVALVULA	SUPPORT ELECTROVANNE
2	146399	BICR HEX SCREW DIN933-8 M8X20	TOR.EX.DIN933-8.8 BICR.M 8X 20	VIS HEX DIN933-8.8 BICR.M8X20
3	149518	BICR.WASHER B DIN125-ST 8,4	ARAN.B DIN125-ST BICR. 8,4	RONDELLE.B DIN125-ST BICR.8,4
5	150201	BICR.HEX NUT DIN 934-8 M-8	TUER.EX.DIN934-8 BICR.M 8	ECROU HEX.DIN 934-8 BICR.M-8
6	185678	FIG. 130 2"	FIGURA 130 DE 2" GALV.	FIG. 130 2"
7	185652	FIG. 280 2"	FIGURA 280 DE 2" GALV.	FIG. 280 2"
8	185645	VALVE BODY EVSI-50 32U7150 WBD	CUERPO VAL.EVSI-50 32U7150 WBD	CORPS VALVE EVSI-50 32U7150
	189498	SPARE KIT ECSI-50 WBD 32U1081	KIT REPUES.ECSI-50 WBD 32U1081	KIT RECHANGE ECSI-50 WBD
9	100834	VALVE COIL 42N7523 220V 60HZ (FOR 60HZ)	BOBINA VAL.42N7523 220V 60HZ (PARA 60 HZ)	BOBINE VANNE 42N7523 220V 60HZ (POUR 60 HZ)
	100826	VALVE COIL 42N7501 220V 50HZ (FOR 50HZ)	BOBINA VAL.42N7501 220V 50HZ (PARA 50 HZ)	BOBINE VANNE 42N7501 220V 50HZ (POUR 50 HZ)
10	205914	SLEEVE	MANGUITO	FRETTE
11	185660	FIG. 241 2-3/4" GALV.	FIGURA 241 DE 2-3/4" GALV.	FIG. 241 2-3/4" GALV.
12	256503	TWO TRACK ELECTROVALVE	ELECTROVALVULA DOS VIAS	ELECTROVANNE DEUX VOIES
	192054	ELECT.SERIES 300 COIL 220/240V	BOBINA ELEC.SERIE 300 220/240V	BOBINE ELEC.SERIE 300 220/240V
	300194	YELLOW CASE 30053	ESTUCHE AMARILLO 30053	BOITE JAUNE 30053
13	129403	TRIPLE ELECTROVALVE 369A 180°	ELECTROV.TRIPLE 369-A 180°	ELECTROVANNE TRIPLE 369A 180°
	192054	ELECT.SERIES 300 COIL 220/240V	BOBINA ELEC.SERIE 300 220/240V	BOBINE ELEC.SERIE 300 220/240V
	300194	YELLOW CASE 30053	ESTUCHE AMARILLO 30053	BOITE JAUNE 30053
14	214403 &	WATER INLET HOSE	TUBO ENTRADA AGUA	TUBE ENTREE EAU
15	211771 &	WATER INLET HOSE	TUBO ENTRADA AGUA	TUBE ENTREE EAU
16	117465 &	WATER INLET HOSE	TUBO ENTRADA AGUA	TUBE ENTREE EAU
17	163584 &	WATER INLET HOSE	TUBO ENTRADA AGUA	TUBE ENTREE EAU
18	214320 &	WATER INLET HOSE	TUBO ENTRADA AGUA	TUBE ENTREE EAU
19	278184	WATER INLET COLLECTOR	COLECTOR ENTRADA AGUA	COLLECTEUR ENTREE EAU
20	166652	BIC.HEX SCREW DIN933-8.8 M8X15	TOR.EX.DIN933-8.8 BICR.M 8X 15	VIS HEX DIN933-8.8 BICR. M8X15
21	253252	DISPENSER OUTLET HOSE	TUBO SALIDA DOSIFICADOR	TUBE SORTIE BAC A PRODUITS
22	132290	CLAMP 301508-9 D50-70	ABRAZ.MIKALOR 301508-9 D50-70	BRIDE 301508-9 D50-70
23	255927	PLUG	TAPON	BOUCHON
24	255745	OUTER DRUM COLLECTOR HOSE	TUBO COLECTOR ENVOLVENTE	TUBE COLLECTEUR CUVE

Nº	REF.	DENOMINATION	DENOMINACION	DÉNOMINATION
25	132340	CLAMP 301510-0 D80-100	ABRAZ.MIKALOR 301510-0D80-100	BRIDE 301510-0 D80-100
26	185173	BRASS FILTER FLT THREADED 2"	FILTRO LATON FLT ROSC. 2" 0,5	FILTRE LAITON FLT FILETE 2"
27	237404	WATER INLET SLEEVE	MANGUITO ENTRADA AGUA	FRETTE ENTREE EAU
28	186833	WATER INLET HOSE RACCORDS 2" (EXCEPT FOR USA AND CANADA)	TUBO EPDM 2"X1500 C.RACORES (EXCEPTO PARA USA Y CANADA)	TUBE ENTREE EAU RACCORDS 2" (SAUF POUR USA ET CANADA)
29	240382	GASKET D57XD42,5X3	JUNTA D57XD42,5X3	JOINT D57XD42,5X3
30	155150	CLAMP 301502-0 D12-20	ABRAZ.MIKALOR 301502-0 D12-20	BRIDE 301502-0 D12-20
31	206490	WATER INLET COVER (FOR 2 INLET MACHINES)	TAPA ENTRADA AGUA (PARA MODELOS 2 ENTRADAS AGUA)	COUVERCLE ENTREE EAU (POUR MACHINES 2 ENTREES)
32	185686	FIG. 90 2" GALV. (FOR 3 INLET MACHINES)	FIGURA 90 DE 2" GALV. (PARA MODELOS 3 ENTRADAS AGUA)	FIG. 90 2" GALV. (POUR MACHINES 3 ENTREES)
33	140525	CLAMP 2244-0	BRIDA UNEX 2244-0	BRIDE 2244-0
34	271163	WATER INLET SLEEVE (FOR USA AND CANADA ONLY)	MANGUITO ENTRADA AGUA (SOLO PARA USA Y CANADA)	FRETTE ENTREE EAU (SEULEMENT POUR USA ET CANADA)
		THIRD WATER INLET KITS	KITS TERCERA ENTRADA AGUA	KITS TROISIEME ENTREE EAU
	797720	THIRD WATER INLET KIT 60HZ (FOR USA AND CANADA ONLY)	KIT TERCERA ENTRADA AGUA 60HZ (SOLO PARA USA Y CANADA)	KIT TROISIEME ENTREE EAU 60HZ (SEULEMENT POUR USA ET CANADA)
	797712	THIRD WATER INLET KIT 60HZ (EXCEPT FOR USA AND CANADA)	KIT TERCERA ENTRADA AGUA 60HZ. (EXCEPTO PARA USA Y CANADA)	KIT TROISIEME ENTREE EAU 60HZ (SAUF POUR USA ET CANADA)
	797704	THIRD WATER INLET KIT 50HZ	KIT TERCERA ENTRADA AGUA 50HZ.	KIT TROISIEME ENTREE EAU 50HZ
&	128215	1 METER HOSE EPDM D 9X17	1 METRO TUBO EPDM D 9X17	1 METRE TUBE EPDM D 9X17

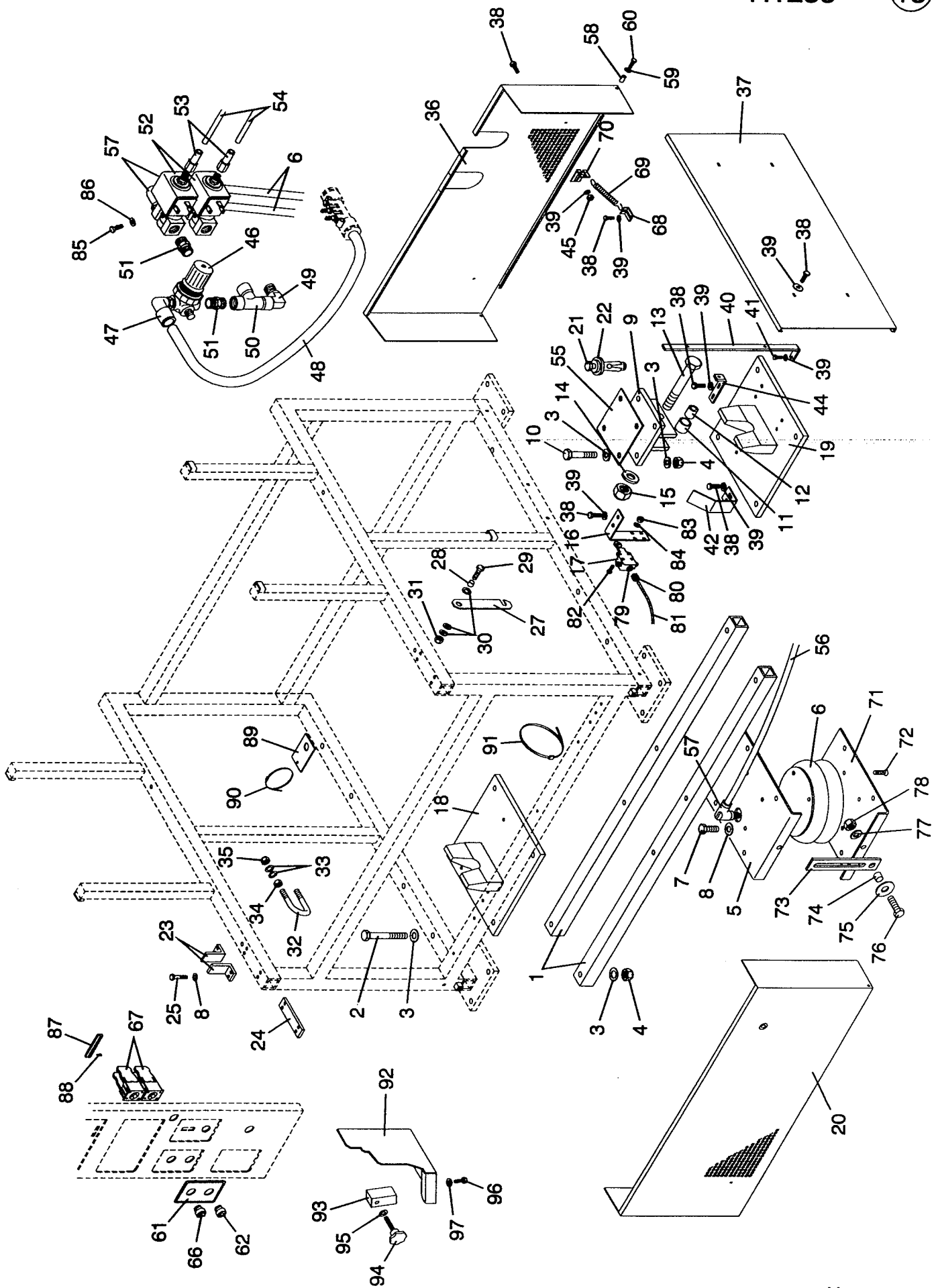




Nº	REF.	DENOMINATION	DENOMINACION	DÉNOMINATION
		STEAM HEATING KITS (WITHOUT TILTING)	KITS CALEFACCION VAPOR (SIN VOLQUETE)	KITS CHAUFFAGE VAPEUR (SANS SOCLE BASCULANT)
	720151	STEAM HEATING KIT 60HZ (FOR USA AND CANADA ONLY)	KIT CAL.VAPOR 60HZ. (SOLO PARA USA Y CANADA)	KIT CHAUFFAGE VAPEUR POUR 60HZ (SEULEMENT POUR USA ET CANADA)
	720219	STEAM HEATING KIT 60HZ (EXCEPT FOR USA AND CANADA)	KIT CAL.VAPOR 60HZ (EXCEPTO PARA USA Y CANADA)	KIT CHAUFFAGE VAPEUR POUR 60HZ (SAUF POUR USA ET CANADA)
	720201	STEAM HEATING KIT 50HZ (WITH TILTING)	KIT CAL.VAPOR 50HZ (CON VOLQUETE)	KIT CHAUFFAGE VAPEUR POUR 50HZ (AVEC SOCLE BASCULANT)
	797696	STEAM HEATING KIT 60HZ (FOR USA AND CANADA ONLY)	KIT CAL.VAPOR 60HZ. (SOLO PARA USA Y CANADA)	KIT CHAUFFAGE VAPEUR POUR 60HZ (SEULEMENT POUR USA ET CANADA)
	797670	STEAM HEATING KIT 60HZ (EXCEPT FOR USA AND CANADA)	KIT CAL.VAPOR 60HZ. (EXCEPTO PARA USA Y CANADA)	KIT CHAUFFAGE VAPEUR POUR 60HZ (SAUF POUR USA ET CANADA)
	797662	STEAM HEATING KIT 50HZ	KIT CAL.VAPOR 50HZ.	KIT CHAUFFAGE VAPEUR POUR 50HZ
1	221093	STEAM INLET BRACKET	SOPORTE ENTRADA VAPOR	SUPPORT ENTREE VAPEUR
2	146233	BICR.HEX SCREW DIN933-8 M6X15	TOR.EX.DIN933-8.8 BICR.M 6X 15	VIS HEX DIN933-8.8 BICR.M6X15
3	149526	BICR.WASHER B DIN125-ST 6,4	ARAN.B DIN125-ST BICR. 6,4	RONDELLE B DIN125-ST BICR.6,4
5	150227	BICR HEX NUT DIN934-8 M6	TUER.EX.DIN934-8 BICR.M 6	ECROU HEX DIN934-8 BICR.M6
6	186817	GEMU VALVE	VAL.GEMU 554/25/D195-1-1-5700	VANNE GEMU
	193516	VALVE BODY SPARE KIT 554	KIT RECAMBIO CUERPO VALV.554	KIT RECHANGE CORPS VANNE 554
	193524	VALVE HEAD SPARE KIT 554	KIT RECAMBIO CABEZAL VALV.554	KIT RECHANGE TETE VANNE 554
7	129791	FIG 280 1" GALV	FIGURA 280 DE 1" GALV.	FIG 280 1" GALV
8	129577	FIG. 130 1" GALV.	FIGURA 130 DE 1" GALV.	FIG. 130 1" GALV.
9	185199	JOINTING SCREW 1"	10905 TORNILLO UNION 1"	VIS UNION 1"
10	185348	STEAM INLET JOINTING	UNION ENTRADA VAPOR	UNION ENTREE VAPEUR
11	185165	TEIGHTNESS GASKET TYPE G	JUNTA ESTAN.TIPO G REF.1383300	JOINT ETANCHEITE TYPE G
12	219147	AIR INTAKE PLUG	TAPON TOMA AIRE	BOUCHON PRISE AIR
13	178558	SIMPLE JOINTING 1/4"RE.1050613	CONEXION RECTA 1/4" 181250628	UNION SIMPLE 1/4" REF.1050613
14	217554	STEAM AIR HOSE	TUBO AIRE VAPOR	TUBE AIR VAPEUR
15	186742	ANTIRETURN VALVE S/521	VALVULA ANTIRETORNO S/521	VANNE ANTIRETOUR S/521
16	130666	CONIC THREADED JOINTING	405002 UNION ROSCA CONICA	UNION FILETE CONIQUE
17	186734	FLOW REGULATOR 04046100	REGULADOR CAUDAL T1000C2800	REGULATEUR DEBIT 04046100

Nº	REF.	DENOMINATION	DENOMINACION	DÉNOMINATION
18	186726	T CONNECTION RE. 3103.08.13	CONEXION EN T REF.3103.08.13	CONNEXION EN T REF. 3103.08.13
19	128173	NYLON HOSE D8X6 TYPE CETOP (1 METER)	TUBO NYLON D8X6 TIPO CETOP (1 METRO)	TUBE NYLON D8X6 TYPE CETOP (1 METRE)
20	186825	CONNECTION RE. 3101.08.13	CONEXION RECTA REF.3101.08.13	CONNEXION REF. 3101.08.13
21	156950	THREADED FILTER 1" 0,3 PN16	FILTRO COLAD. ROSC. 1"0,3PN16	FILTRE FILETE 1" 0,3 PN16
22	186718	ELECTROVALVE 131K03E/1865 (FOR 60HZ)	ELECT.LUC.131K03E/1865 230V/60 (PARA 60 HZ)	ELECTROVANNE LUC. 131K03E/1865 (POUR 60 HZ)
	190793	LUCIFER COIL 1865/230/60 (FOR 60HZ)	BOBINA LUCIFER 1865/230/60 (PARA 60 HZ)	BOBINE LUCIFER 1865/230/60 (POUR 60 HZ)
	186700	ELECTROVALVE 131K03E/1865 (FOR 50HZ)	ELECT.LUC.131K03E/1865 220V/50 (PARA 50 HZ)	ELECTROVANNE 131K03E/1865 (POUR 50 HZ)
	190785	LUCIFER COIL 1865/220/50 (FOR 50HZ)	BOBINA LUCIFER 1865/220/50 (PARA 50 HZ)	BOBINE LUCIFER 1865/220/50 (POUR 50 HZ)
24	146274	BICR.HEX SCREW DIN933-8 M-5X10	TOR.EX.DIN933-8.8 BICR.M 5X 10	VIS HEX.BICR.DIN933-8.8 M-5X10
25	160838	WASHER 14X6X1,5	ARANDELA 14X6X1,5	RONDELLE 14X6X1,5
26	186825	CONNECTION RE. 3101.08.13	CONEXION RECTA REF.3101.08.13	CONNEXION REF. 3101.08.13
27	187260	FEMALE CONNECTION	CONEXION HEMBRA REF.3114.06.10	CONNEXION FEMELLE
28	128140	NYLON HOSE D6X4 TYPE CETOP (1 METER)	TUBO NYLON D6X4 TIPO CETOP (1 METRO)	TUBE NYLON D6X4 TYPE CETOP (1 METRE)
29	306134	STEAM INLET JOINTING (WITH TILTING)	UNION ENTRADA VAPOR (CON VOLQUETE)	UNION ENTREE VAPEUR (AVEC SOCLE BASCULANT)
30	185199	JOINTING SCREW 1" (WITH TILTING)	10905 TORNILLO UNION 1" (CON VOLQUETE)	VIS UNION 1" (AVEC SOCLE BASCULANT)
31	289413	STEAM INLET JOINTING SCREW (WITH TILTING) (FOR USA AND CANADA ONLY)	TORNILLO UNION ENTRADA VAPOR (CON VOLQUETE) (SOLO PARA USA Y CANADA)	VIS UNION ENTREE VAPEUR (AVEC SOCLE BASCULANT) (SEULEMENT POUR USA ET CANADA)
	185199	JOINTING SCREW 1" (WITH TILTING) (EXCEPT FOR USA AND CANADA)	10905 TORNILLO UNION 1" (CON VOLQUETE) (EXCEPTO PARA USA Y CANADA)	VIS UNION 1" (AVEC SOCLE BASCULANT) (SAUF POUR USA ET CANADA)
32	249516	WATER INLET SLEEVE (WITHOUT TILTING) (FOR USA AND CANADA ONLY)	MANGUITO ENTRADA AGUA-VAPOR (SIN VOLQUETE) (SOLO PARA USA Y CANADA)	MANCHON ENTREE EAU (SANS SOCLE BASCULANT) (SEULEMENT POUR USA ET CANADA)





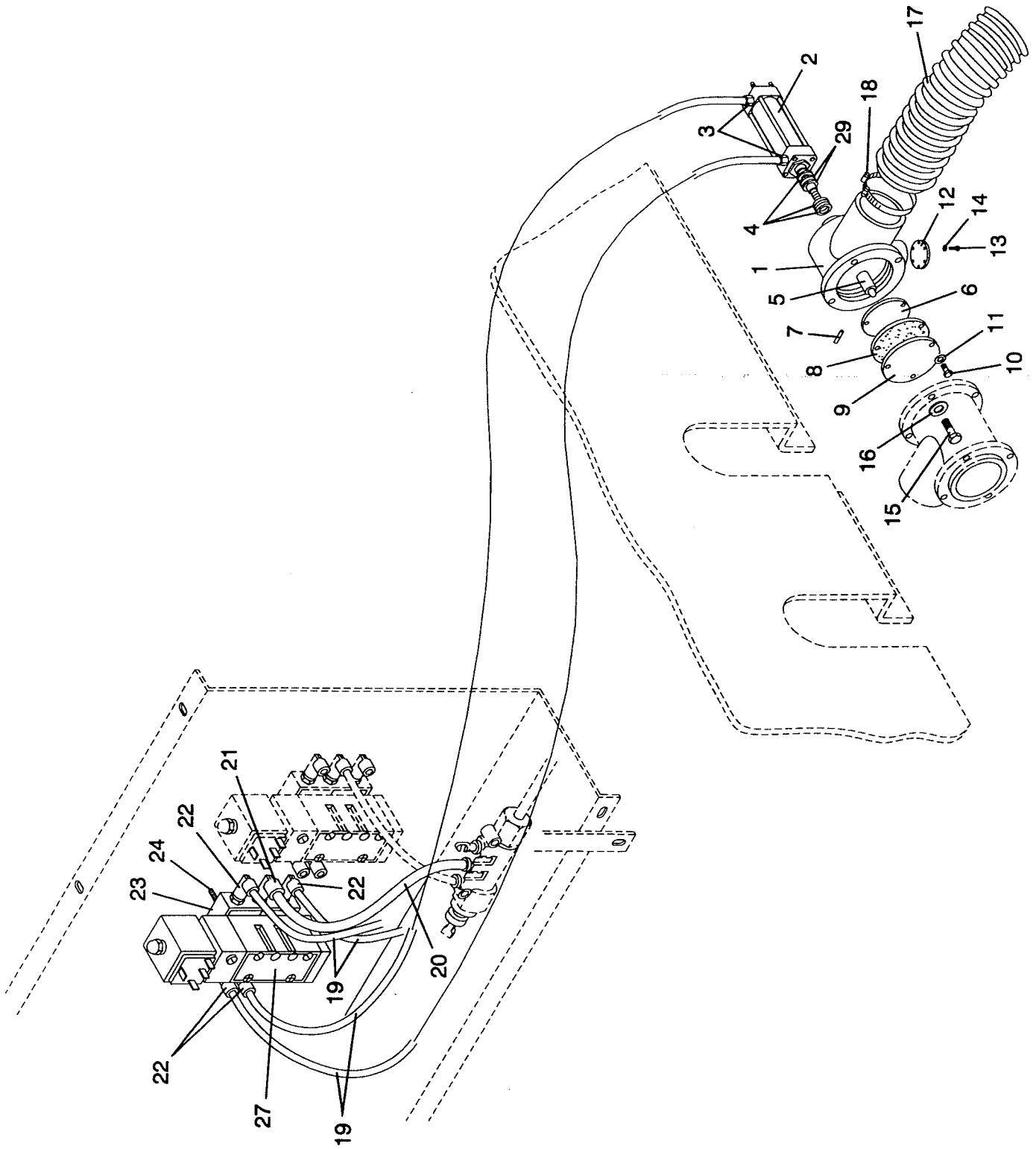
Nº	REF.	DENOMINATION	DENOMINACION	DÉNOMINATION
1	257071	ACTUATOR BEAM	VIGA ACTUADOR	POUTRE AGISSEMENT
2	147033	BIC.HEX SCREW DIN931-8 M14X130	TOR.EX.DIN931-8.8 BICR.M14X130	VIS HEX BICR DIN931-8 M14X130
3	149393	BICR WASHER B DIN125-ST 15	ARAN.B DIN125-ST BICR.15	RONDELLE B BICR DIN125-ST 15
4	164350	SELFBLOCKING NUT DIN-985 M-14	TUER.AUTOBL.DIN985-8 BICR.M14	ECROU AUTOBLOCANT DIN985 M-14
5	257063	ACTUATOR BRACKET	MENSULA ACTUADOR	SUPPORT AGISSEMENT
6	187237	PNEUMATIC DRIVE MOD.21	ACCIONADOR NEUMATICO MOD.21	ACTIONNEMENT PNEUMATIQUE
7	148106	ZINC HEC SCREW DIN933 W3/8"X25	TOR.EX.ZINCADO DIN933W3/8"X25	VIS HEX ZINC DIN933 W3/8"X25
8	149500	BICR.WASHER B DIN125-ST 10,5	ARAN.B DIN125-ST BICR.10,5	RONDELLE B DIN125-ST BICR.10,5
9	257865	TILTING HINGE	CHARNELA BASCULANTE	CHARNIERE BASCULANT
10	176172	HEX SCREW 8G DIN 933 M-14X55	TOR.EX.DIN933-8.8 BICR.M14X 55	VIS HEX. 8G DIN 933 M-14X55
11	187245	SELFOIL SLEEVE B11A40-50-40	COJ. SELFOIL B11A40-50-40	FRETTE SELFOIL B11A40-50-40
12	257873	ARTICULATION SLEEVE	CASQUILLO ARTICULACION	FRETTE ARTICULATION
13	146993	BIC.HEX SCREW DIN931-8 M20X100	TOR.EX.DIN931-8.8 BICR.M20X100	VIS HEX DIN931-8 BICR.M20X100
14	149427	BICR WASHER B DIN125-ST 21	ARAN.B DIN125-ST BICR.21	RONDELLE B BICR.DIN125-ST 21
15	186866	SELF-BLOCKING NUT DIN985 M20	TUER.AUTOBL.DIN985-8 BICR.M20	ECROU AUTOBLOCANT DIN985 M20
16	283044	END OF COURSE BRACKET	SOPORTE FINAL DE CARRERA	SUPPORT FIN DE COURSE
17	302315	END OF COURSE M4VH 355-20Z	FINAL CARRERA M4VH 355-20Z	FIN DE COURSE M4VH 355-20Z
18	283184	HOLDING-DOWN PIECE	HORQUILLA ANCLAJE	PIECE SCCELLEMENT
19	283242	HOLDING-DOWN PIECE	HORQUILLA ANCLAJE	PIECE SCCELLEMENT
20	283143	FRONT PROTECTION COVER	TAPA PROTECCION ANTERIOR	COUVERCLE PROTECTION AVANT
21	189746	METALLIC END PIECE REIDO T-17	TACO METALICO REIDO T-17	ARRET METALLIQUE REIDO T-17
22	110726	WASHER	ARANDELA 34X13X4	RONDELLE
23	257840	SUSPENDED SET END-PIECE	TOPE GRUPO FLOTANTE	ARRET GROUPE SUSPENDU
24	257998	END-PIECE FIXING	FIJACION TOPES	FIXATION ARRETS
25	146977	HEX SCREW 8G DIN 933 M-10X35	TOR.EX.DIN933-8.8 BICR.M10X 35	VIS HEX 8G DIN 933 M-10X35
27	258228	DOOR HOOK	GANCHO ESCOTILLA	CROCHET HUBLOT
28	189696	SELFOIL SLEEVE B11A 6-10-5	COJ. SELFOIL B11A 6-10- 5	FRETTE SELFOIL B11A 6-10-5
29	144915	INOX HEX SCREW DIN933 M 6X25	TOR.EX.INOX DIN933 M 6X 25	VIS HEX INOX DIN933 M 6X25
30	149310	INOX.A2 WASHER DIN125 6,4	ARAN. DIN125 INOX A2 6,4	RONDELLE INOX.A2 DIN125 6,4
31	176834	SELFBLOCKING NUT DIN985 M-6	TUER.AUTOBL.DIN985-8 BICR.M 6	ECROU AUTOBLOCANT DIN985 M-6

Nº	REF.	DENOMINATION	DENOMINACION	DÉNOMINATION
32	258210	DOOR HOOK FIXING	SUJECCION GANCHO ESCOTILLA	FIXATION CROCHET HUBLLOT
33	149328	INOX A2 WASHER DIN 125 4,3	ARAN. DIN125 INOX A2 4,3	RONDELLE INOX A2 DIN 125 4,3
34	149922	INOX HEX. NUT DIN 934 M-4	TUERCA EX. INOX DIN934 M 4	ECROU HEX. INOX DIN 934 M-4
35	176792	INOX SELF-BLOCK.NUT DIN985 M 4	TUER.AUTOBL.DIN985 INOX M 4	ECROU AUTOBLOC. INOX DIN985 M 4
36	283168	REAR PROTECTION COVER	TAPA PROTECCION POSTERIOR	COUVERCLE PROTECTION ARRIERE
37	283176	SIDE PROTECTION COVER	TAPA PROTECCION LATERAL	COUVERCLE PROTECTION LATERAL
38	146233	BICR.HEX SCREW DIN933-8 M6X15	TOR.EX.DIN933-8.8 BICR.M 6X 15	VIS HEX DIN933-8.8 BICR.M6X15
39	149526	BICR.WASHER B DIN125-ST 6,4	ARAN.B DIN125-ST BICR. 6,4	RONDELLE B DIN125-ST BICR.6,4
40	283093	SIDE PANEL BRACKET	SOPORTE TAPAS LATERALES	SUPPORT COUVERCLE LATERAL
41	146316	BICR.HEX SCREW DIN933-8 M-6X20	TOR.EX.DIN933-8.8 BICR:M 6X 20	VIS HEX BICR:DIN933-8:8 M-6X20
43	283069	END OF COURSE DRIVE	ACCIONADOR FINAL DE CARRERA	ACCIONNEMENT FIN DE COURSE
44	283127	PANEL HINGE	CHARNELA TAPA	CHARNIERE COUVERCLE
45	150227	BICR HEX NUT DIN934-8 M6	TUER.EX.DIN934-8 BICR.M 6	ECROU HEX DIN934-8 BICR.M6
46	167882	PRESSURE REGULATOR R06-200	REGULADOR PRESION R07-200RNKG	REGULATEUR PRESSION R06-200
47	186627	ELBOW CONNECTION RE.3109.10.13	CONEXION CODO REF.3109.10.13	CONNEXION COUDE REF.3109.10.13
48	186635	NYLON HOSE D10X8 CETOP TYPE (1 METER)	TUBO NYLON D10X8 TIPO CETOP (1 METRO)	TUBE NYLON D10X8 TYPE CETOP (1 METRE)
49	189829	MALE ELBOW RE. 152.13.13	CODO MACHO REF.152.13.13	COUDE MALE REF. 152.13.13
50	130898	T RACCORD	508002 RACOR EN T	RACCORD EN T
51	130666	CONIC THREADED JOINTING	405002 UNION ROSCA CONICA	UNION FILETE CONIQUE
52	186718	ELECTROVALVE 131K03E/1865 (FOR 60HZ)	ELECT.LUC.131K03E/1865 230V/60 (PARA 60 HZ)	ELECTROVANNE LUC. 131K03E/1865 (POUR 60 HZ)
	190793	LUCIFER COIL 1865/230/60 (FOR 60HZ)	BOBINA LUCIFER 1865/230/60 (PARA 60 HZ)	BOBINE LUCIFER 1865/230/60 (POUR 60 HZ)
	186700	ELECTROVALVE 131K03E/1865 (FOR 50HZ)	ELECT.LUC.131K03E/1865 220V/50 (PARA 50 HZ)	ELECTROVANNE 131K03E/1865 (POUR 50 HZ)
	190785	LUCIFER COIL 1865/220/50 (FOR 50HZ)	BOBINA LUCIFER 1865/220/50 (PARA 50 HZ)	BOBINE LUCIFER 1865/220/50 (POUR 50 HZ)
53	187260	FEMALE CONNECTION	CONEXION HEMBRA REF.3114.06.10	CONNEXION FEMELLE
54	128140	NYLON HOSE D6X4 TYPE CETOP (1 METER)	TUBO NYLON D6X4 TIPO CETOP (1 METRO)	TUBE NYLON D6X4 TYPE CETOP (1 METRE)
55	259614	HOLDING-DOWN SUPPLEMENT	SUPLEMENTO ANCLAJE	SUPPLEMENT SCELLEMENT

Nº	REF.	DENOMINATION	DENOMINACION	DÉNOMINATION
56	128173	NYLON HOSE D8X6 TYPE CETOP (1 METER)	TUBO NYLON D8X6 TIPO CETOP (1 METRO)	TUBE NYLON D8X6 TYPE CETOP (1 METRE)
57	186692	ELBOW CONNECTION RE.3109.08.13	CONEXION CODO REF.3109.08.13	CONNEXION COUDE REF.3109.08.13
58	276527	LOCK END-PIECE	TOPE CIERRE	ARRET FERMETURE
59	115758	WASHER 20X7X2	ARANDELA 20X7X2	RONDELLE 20X7X2
60	144923	INOX HEX.SCREW DIN 933 M-6X20	TOR.EX.INOX DIN933 M 6X 20	VIS HEX INOX DIN 933 M-6X20
61	302034	TILTING CONTROL PLATE	PLACA MANDOS BASCULANTE	PLAQUE COMMANDES BASCULANT
62	189761	DRIVE 3SB10 00-2DC01	MULETILLA 3SB10 00-2DC01	ACTIONNEMENT 3SB10 00-2DC01
66	189803	DRIVE 3SB10 00-2EC01	MULETILLA 3SB10 00-2EC01	ACTIONNEMENT 3SB10 00-2EC01
67	189811	CONNECTION ELEMENT 3SB13 00-03	ELEMENTO CONEXION 3SB13 00-0E	ELEMENT CONNEXION 3SB13 00-03
68	283077	SPRING FIXING-PIECE	FIJACION MUELLE	FIXATION RESSORT
69	177329	FINGER PROTECTION SPRING	MUELLE GUARDAMANOS	RESSORTS PROTECTION DOIGTS
70	283085	SPRING FIXING-PIECE	FIJACION MUELLE	FIXATION RESSORT
71	283010	ACTUATOR BRACKET	MENSULA ACTUADOR	SUPPORT AGISSEMENT
72	304071	ALLEN SCREW SIN7991-8.8 3/8X25	TOR.AV.ALL.DIN7991-8.8 3/8X25	VIS ALLEN DIN7991-8.8 3/8X25
73	283028	ACTUATOR COURSE LIMITATOR	LIMITADOR CARRERA ACTUADOR	LIMITATEUR COURSE ACTUATEUR
74	283309	SEPARATOR 16X12X12	SEPARADOR 16X12X12	SEPARATEUR 16X12X12
75	110726	WASHER	ARANDELA 34X13X4	RONDELLE
76	157354	HEX SCREW 8G DIN 933 M-12X45	TOR.EX.DIN933-8.8 BICR.M12X 45	VIS HEX 8G DIN 933 M-12X45
77	149419	BICR.WASHER B DIN125-ST 13	ARAN.B DIN125-ST BICR.13	RONDELLE B DIN125-ST BICR.13
78	150656	SELFBLOCKING NUT DIN985 M-12	TUER.AUTOBL.DIN985-8 BICR.M12	ECROU AUTOBLOCANT DIN985 M-12
79	140319	REDUCER PG 13'5-9	REDUCTOR PG 13'5-9	REDUCTEUR PG 13'5-9
80	140152	RACCORD PG- 9 REF.330904	RACOR PG- 9 REF.330904	RACCORD PG- 9 REF 330904
81	140707	HOSE HELIPLAST NO 9 REF.77009 (1 METER)	TUBO HELIPLAST NO. 9 REF.77009 (1 METRO)	TUBE HELIPLAST NO 9 REF.77009 (1 METRE)
82	145748	SCREW DIN85 INOX A2-70 M 5X 40	TOR.PLA.DIN85 INOX A2-70 M5X45	VIS P DIN85 INOX A2-70 M 5X 40
83	176826	SELF-BLOCKING NUT DIN 985 M-5	TUER.AUTOBL.DIN985-8 BICR.M 5	ECROU AUTOBLOCANT DIN 985 M-5
84	149534	BICR.WASHER B DIN125-ST 5,3	ARAN.B DIN125-ST BICR. 5,3	RONDELLE B BICR.DIN125-ST 5,3
85	146274	BICR.HEX SCREW DIN933-8 M-5X10	TOR.EX.DIN933-8.8 BICR.M 5X 10	VIS HEX.BICR.DIN933-8.8 M-5X10
86	160838	WASHER 14X6X1,5	ARANDELA 14X6X1,5	RONDELLE 14X6X1,5
87	197301	PROTECTOR AMP-UNYT 1-640029-6	PROTECTOR AMP-UNYT 1-640029-6	PROTECTEUR AMP-UNYT 1-640029-6

Nº	REF.	DENOMINATION	DENOMINACION	DÉNOMINATION
88	197426	POLARIZATION AMP 640180-1	POSICIONADOR AMP 640180-1	POLARIZATION AMP 640180-1
89	258442	PRESSOSTAT HOSE BRACKET	SOPORTE TUBO PRESOSTATO	SUPPORT TUBE PRESSOSTAT
90	140525	CLAMP 2244-0	BRIDA UNEX 2244-0	BRIDE 2244-0
91	140509	CLAMP 2273-0	BRIDA UNEX 2273-0	BRIDE 2273-0
92	284950	KNOB PROTECTION	PROTECCION EMPUÑADURA	PROTECTION POIGNEE
93	284943	KNOB PROTECTION PIECE	PIEZA PROTECCION EMPUÑADURA	PIECE PROTECTION POIGNEE
94	304394	KNOB 1126.E DIN 6336.D	POMO 1126.E DIN 6336.D M8X47	POIGNEE 1126.E DIN 6336.D
95	149351	INOX A2 WASHER DIN 125 8,4	ARAN. DIN125 INOX A2 8,4	RONDELLE INOX A2 DIN 125 8,4
96	144774	INOX HEX SCREW DIN 933 M-5X10	TOR.EX.INOX DIN933 M 5X 10	VIS HEX INOX DIN 933 M-5X10
97	149369	INOX A2 WASHER DIN 125 5,3	ARAN. DIN125 INOX A2 5,3	RONDELLE INOX A2 DIN 125 5,3





Nº	REF.	DENOMINATION	DENOMINACION	DÉNOMINATION
		SECOND DRAIN KIT	KIT 2º DESAGÜE	KIT DEUXIEME VIDANGE
	798793	SECOND DRAIN KIT 60HZ	KIT 2º DESAGÜE 60HZ. HS-2110	KIT DEUXIEME VIDANGE 60HZ
	798801	SECOND DRAIN KIT 50HZ	KIT 2º DESAGÜE 50HZ. HS-2110	KIT DEUXIEME VIDANGE 50HZ
1	258632	DRAIN BODY COVER	TAPA CUERPO DESAGÜE	COUVERCLE CORPS VIDANGE
2	186551	PNEUMATIC CYLINDER M-920/75	CILINDRO NEUM.RM-920/75	CYLINDRE PNEUMATIQUE M-920/75
	193532	KIT FOR CYLINDER M920	KIT(BOLSA C)PARA CILINDRO M920	KIT POUR CYLINDRE M920
3	186569	CONNECTION RE. 3101.06.13	CONEXION RECTA REF.3101.06.13	CONNEXION REF. 3101.06.13
4	185165	TEIGHTNESS GASKET TYPE G	JUNTA ESTAN.TIPO G REF.1383300	JOINT ETANCHEITE TYPE G
5	213520	LOCK HEAD	CABEZA DEL CIERRE	TETE DE LA FERMETURE
6	213512	DRAIN LOCK	CIERRE DESAGÜE	FERMETURE VIDANGE
7	216762	DRAIN LOCKING BOLT	PASADOR CIERRE DESAGÜE	GOUJON FERMETURE VIDANGE
8	213538	DRAIN MEMBRANE	MEMBRANA DESAGÜE	MEMBRANE VIDANGE
9	216598	MEMBRANE FIXING DISK	DISCO FIJACION MEMBRANA	DISQUE FIXATION MEMBRANE
10	144964	INOX HEX SCREW DIN 933 M-8X15	TOR.EX.INOX DIN933 M 8X 15	VIS HEX INOX DIN 933 M-8X15
11	149351	INOX A2 WASHER DIN 125 8,4	ARAN. DIN125 INOX A2 8,4	RONDELLE INOX A2 DIN 125 8,4
12	258624	VAPOUR OUTLET COVER	TAPA SALIDA VAHOS	COUVERCLE SORTIE VAPEURS
13	144832	INOX.HEX.SCREW DIN 933 M-4X10	TOR.EX.INOX DIN933 M 4X 10	VIS HEX INOX. DIN 933 M-4X10
14	149328	INOX A2 WASHER DIN 125 4,3	ARAN. DIN125 INOX A2 4,3	RONDELLE INOX A2 DIN 125 4,3
15	147025	HEX SCREW 8G DIN 933 M-12X30	TOR.EX.DIN933-8.8 BICR.M12X 30	VIS HEX. 8G DIN933 M-12X30
16	149419	BICR.WASHER B DIN125-ST 13	ARAN.B DIN125-ST BICR.13	RONDELLE B DIN125-ST BICR.13
17	257170	DRAIN OUTLET HOSE	TUBO SALIDA DESAGÜE	TUBE SORTIE VIDANGE
18	166660	CLAMP 301819-7D131-139	ABRAZ.MIKALOR 301816-7D131-139	BRIDE 301819-7D131-139
19	128140	NYLON HOSE D6X4 TYPE CETOP (1 METER)	TUBO NYLON D6X4 TIPO CETOP (1 METRO)	TUBE NYLON D6X4 TYPE CETOP (1 METRE)
20	128173	NYLON HOSE D8X6 TYPE CETOP (1 METER)	TUBO NYLON D8X6 TIPO CETOP (1 METRO)	TUBE NYLON D8X6 TYPE CETOP (1 METRE)
21	186692	ELBOW CONNECTION RE.3109.08.13	CONEXION CODO REF.3109.08.13	CONNEXION COUDE REF.3109.08.13
22	186668	ELBOW CONNEXION REF.3109.06.13	CONEXION CODO REF.3109.06.13	CONNECTION COUDE RE.3109.06.13
23	141911	LUCIFER PLATE 6866	PLACA LUCIFER 6866	PLAQUE LUCIFER 6866
24	149112	CYL.PLATE SCREW DIN797110X3/4"	TOR.CHAPA CILI.DIN7971 10X3/4"	VIS PLAQUE CYL.DIN7971 10X3/4"

Nº	REF.	DENOMINATION	DENOMINACION	DÉNOMINATION
27	186684	ELECTROVALVE 341L01E/1865 (FOR 60HZ)	ELECT.LUC.341L01E/1865 230V/60 (PARA 60 HZ)	ELECTROVANNE LUC.341L01E/1865 (POUR 60 HZ)
	190793	LUCIFER COIL 1865/230/60 (FOR 60HZ)	BOBINA LUCIFER 1865/230/60 (PARA 60 HZ)	BOBINE LUCIFER 1865/230/60 (POUR 60 HZ)
	186676	ELECTROVALVE 341L01E/1865 (FOR 50HZ)	ELECT.LUC.341L01E/1865 220V/50 (PARA 50 HZ)	ELECTROVANNE LUC. 341L01E/1865 (POUR 50 HZ)
	190785	LUCIFER COIL 1865/220/50 (FOR 50HZ)	BOBINA LUCIFER 1865/220/50 (PARA 50 HZ)	BOBINE LUCIFER 1865/220/50 (POUR 50 HZ)
29	259606	WASHER 40X34X0,4	ARANDELA 40X34X0,4	RONDELLE 40X34X0,4

