

NOTES TO USE PARTS LIST

ACLARACIONES PARA / EL USO DEL DESPIECE

NOTES UTILISATION VUES ECLATEES

Sheets no. 1, 2, 3, 4, 5, 6 & 7:

Are common for all versions.

Las hojas nº 1, 2, 3, 4, 5, 6 y 7:

Son comunes a todas las variantes.

Les feuilles no. 1, 2, 3, 4, 5, 6 et 7:

Sont communes à toutes les versions.

Sheet no. 8:

The bottom just refers to three water inlets machines (PM only).

La hoja nº 8:

La parte inferior es sólo para las máquinas con tres entradas de agua (Sólo PM).

La feuille no. 8:

La partie inférieure est seulement pour les machines à trois arrivées d'eau (Seulement PM).

Sheet no. 9:

Relates to electrical heated machines.

La hoja nº 9:

Corresponde a las máquinas con calefacción eléctrica.

La feuille no. 9:

Correspond aux machines à chauffage électrique.

Sheet no. 10:

Relates to steam heated machines.

La hoja nº 10:

Corresponde a las máquinas con calefacción a vapor.

La feuille no. 10:

Correspond aux machines à chauffage à vapeur.

VERY IMPORTANT:

Before ordering parts be sure they have not been modified. Check it on modification sheet, after the corresponding sheet.

MUY IMPORTANTE:

Al pedir una pieza cerciorarse antes de que la misma no ha sido modificada. Si lo hubiese sido, estaria situada como hoja de modificaciones, detrás de la hoja correspondiente.

TRES IMPORTANT:

Avant de commander une pièce, s'assurer qu'elle n'a pas été modifiée. Le vérifier sur feuille de modifications, derrière la feuille correspondante.

From
A partir
A partir

830990

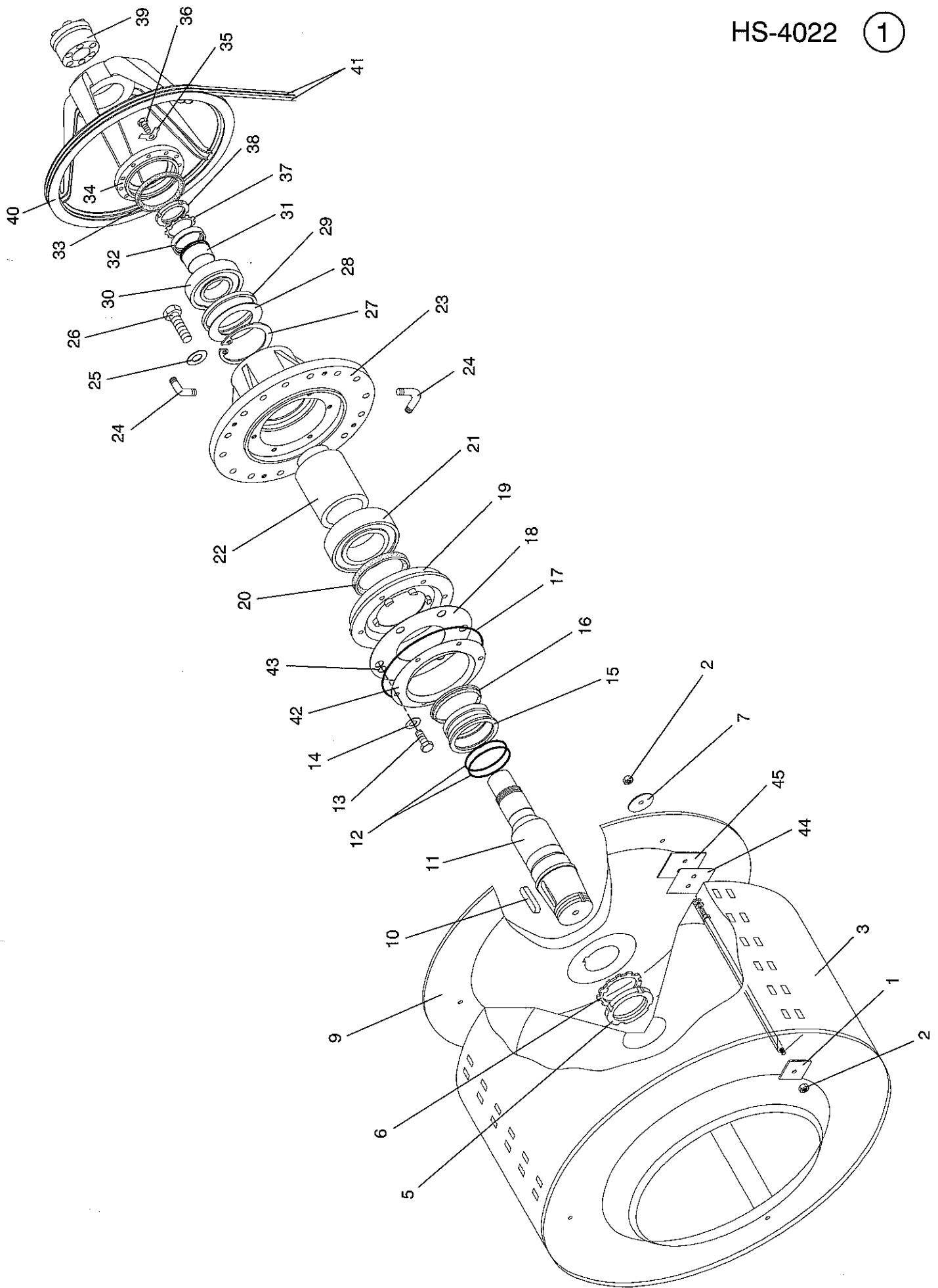
To
Hasta
Jusqu'à

.....

HS - 4022

Cod. nº 408310 B

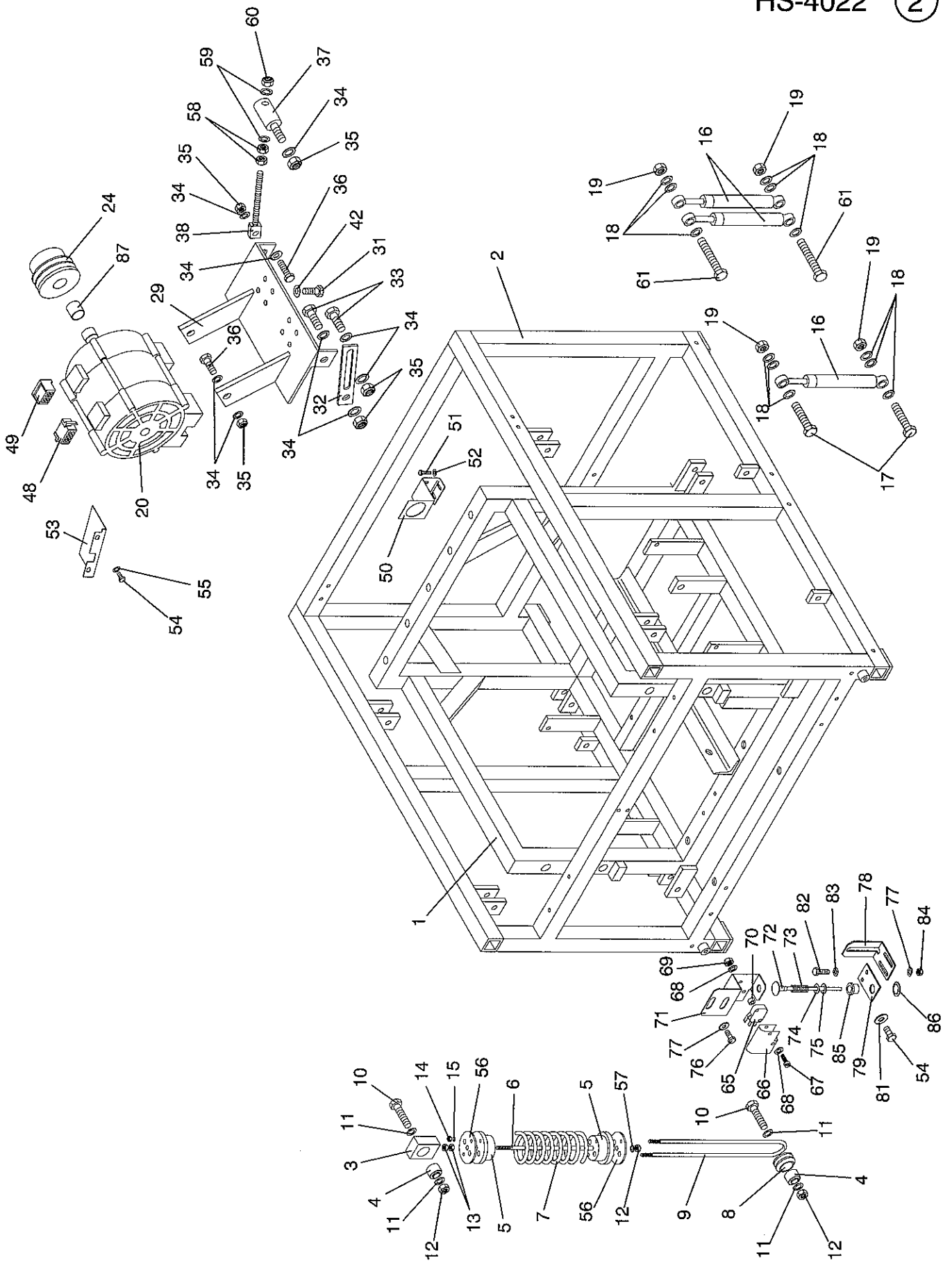
Rev. nº 00/0503



| N° | REF. | DENOMINATION | DENOMINACIÓN | DÉNOMINATION |
|----|----------|--------------------------------|--------------------------------|--------------------------------|
| 1 | 210229 | BASKET SHOVEL RENFORT | REFUERZO PALA TAMBOR | REFORT PALETTE TAMBOR |
| 2 | 149997 | INOX HEX NUT DIN 934 M-16 | TUER.EX.DIN934 INOX A2-70 M16 | ECROU HEX.INOX DIN 934 M-16 |
| 3 | 210724 * | BASKET BODY | CUERPO TAMBOR | CORPS TAMBOR |
| 5 | 111625 | FIXING NUT KM-18 | TUERCA FIJACION KM-18 | ECROU FIXATION KM-18 |
| 6 | 228981 | LOCKING WASHER | ARANDELA DE CIERRE | RONDELLE DE FERMETURE |
| 7 | 289686 | WASHER 82X17X3 | ARANDELA 82X17X3 | RONDELLE 82X17X3 |
| 9 | 217414 | BASKET COUPLING | ACOPLAMIENTO TAMBOR | ASSAMBLAGE TAMBOR |
| 10 | 111609 | PIN DIN-6885-A 60X28X16 | CHAVETA DIN 6885-A 60X28X16 | CLAVETTE DIN-6885-A 60X28X16 |
| 11 | 273136 | BASKET SHAFT | EJE TAMBOR | PALIER TAMBOR |
| 12 | 121509 | TORIC GASKET 92X100X4 | JUNTA TORICA 92X100X4 | JOINT TORIQUE 92X100X4 |
| 13 | 109314 | INOX HEX SCREW DIN 933 M10X 55 | TOR.EX.DIN933INOX A2-70 M10X55 | VIS HEX INOX DIN 933 M10X 55 |
| 14 | 217133 | WASHER 27X10X3 | ARANDELA 27X10X3 | RONDELLE 27X10X3 |
| 15 | 250449 | SEAL RING | ANILLO RETENES | BAGUE RESERVES |
| 16 | 193607 | RING V-RING V-110 S VITON | ANILLO V-RING V-110 S VITON | BAGUE V-RING V-110 S VITON |
| 17 | 121483 | TORIC GASKET 240,67X254,6X6,99 | JUNTA TORICA240,67X254,65X6,99 | JOINT TORIQUE 240,6X254,6X6,99 |
| 18 | 258244 | SEAL COVER | TAPA RETEN | COUVERCLE RESERVE |
| 19 | 250407 | FRONT SEAL COVER | TAPA RETEN ANTERIOR | COUVERCLE RESERVE AVANT |
| 20 | 121517 | SEAL 130X110X12 BA | RETEN 130X110X12 BA | RESERVE 103X110X12 BA |
| 21 | 118307 | BEARING NU-218E | RODAMIENTO NU 218 ECP | ROULEMENT NU-218E |
| 22 | 250415 | BEARING END PIECE | TOPE COJINETES | ARRET ROULEMENTS |
| 23 | 266965 | BEARING CASE | CAJA COJINETES | BOITE ROULEMENTS |
| 24 | 122531 | HOSE ELBOW 5/8" RE. 46610 | CODO MANGUERA 5/8"REF.46610 | COUDE TUYAU 5/8" RE. 46610 |
| 25 | 149419 | BICR.WASHER B DIN125-ST 13 | ARAN.B DIN125-ST BICR.13 | RONDELLE B DIN125-ST BICR.13 |
| 26 | 157354 | HEX SCREW 8G DIN 933 M-12X45 | TOR.EX.DIN933-8.8 BICR.M12X 45 | VIS HEX 8G DIN 933 M-12X45 |
| 27 | 121988 | FLEXIBLE RING I-110 DIN 472 | ANILLO ELASTICO I-110 DIN 472 | BAGUE ELASTIQUE I-110 DIN 472 |
| 28 | 250472 | GREASE OBTURATION PLATE | PLACA OBTURACION GRASA | PLAQUE OBTURATION GRAISSE |
| 29 | 121400 | GUIDE RING FRA 10/110 | ANILLO DE GUIA FRB-10/110 | BAGUE DE GUIDE FRA 10/110 |
| 30 | 119917 | BEARING 22212 CCK | RODAMIENTO 22212 CCK | ROULEMENT 22212 CCK |
| 31 | 120212 | DISASSEMBLY SLEEVE AHX-312 | MANGUITO DESMONTAJE AHX-312 | MANCHON DEMONTAGE AHX-312 |
| 32 | 250464 | SEAL RING | ANILLO RETEN | BAGUE RESERVE |

| N° | REF. | DENOMINATION | DENOMINACIÓN | DÉNOMINATION |
|----|--------|--------------------------------|--------------------------------|--------------------------------|
| 33 | 121897 | SEAL 78X100X10 BA | RETEN 78X100X10 BA | RESERVE 78X100X10 BA |
| 34 | 266940 | REAR SEAL COVER | TAPA RETEN POSTERIOR | COUVERCLE RÉSERVE ARRIÈRE |
| 35 | 262675 | SAFETY WASHER 5,3 DIN 463 | ARANDELA SEGURIDAD 5,3 DIN 463 | RONDELLE SECURITE 5,3 DIN 463 |
| 36 | 146225 | BI.HEX SCREW DIN933-8.8 M-5X25 | TOR.EX.DIN933-8.8 BICR.M 5X 25 | VIS HEX BICR.DIN933-8.8 M-5X25 |
| 37 | 249680 | LOCKING WASHER | ARANDELA DE CIERRE | RONDELLE DE FERMETURE |
| 38 | 131466 | FIXING NUT KM-11 | TUERCA FIJACION KM-11 FAG | ECROU FIXATION KM-11 |
| 39 | 197269 | SELFCENT.FIX.UNIT.5B 48X 80 | UNIDAD FIJ.AUTOCENT.5B 48X 80 | UNITE FIX.SELFCENT.5B 48X 80 |
| 40 | 273151 | BASKET PULLEY | POLEA TAMBOR | POULIE TAMBOR |
| 41 | 159657 | BELT SPZ 2000 | CORREA TRAPECIAL SPZ-2000 | COURROIE SPZ 2000 |
| 42 | 258681 | V-RING PROTECTION | PROTECCION V-RING | PROTECTION V-RING |
| 43 | 109173 | TORIC GASKET 10X17X3,5 | JUNTA TORICA 10X17X3,5 | JOINT TORIQUE 10X17X3,5 |
| 44 | 213710 | BASKET CENTERING PIECE | PIEZA CENTRADO TAMBOR | PIECE CENTRAGE TAMBOR |
| 45 | 213728 | BASKET CENTERING PIECE | PIEZA CENTRADO TAMBOR | PIECE CENTRAGE TAMBOR |

* 273177 COMPLETE BASKET (WITH SHAFT) TAMBOR COMPLETO (CON EJE) TAMBOR COMPLET (AVEC AXE)

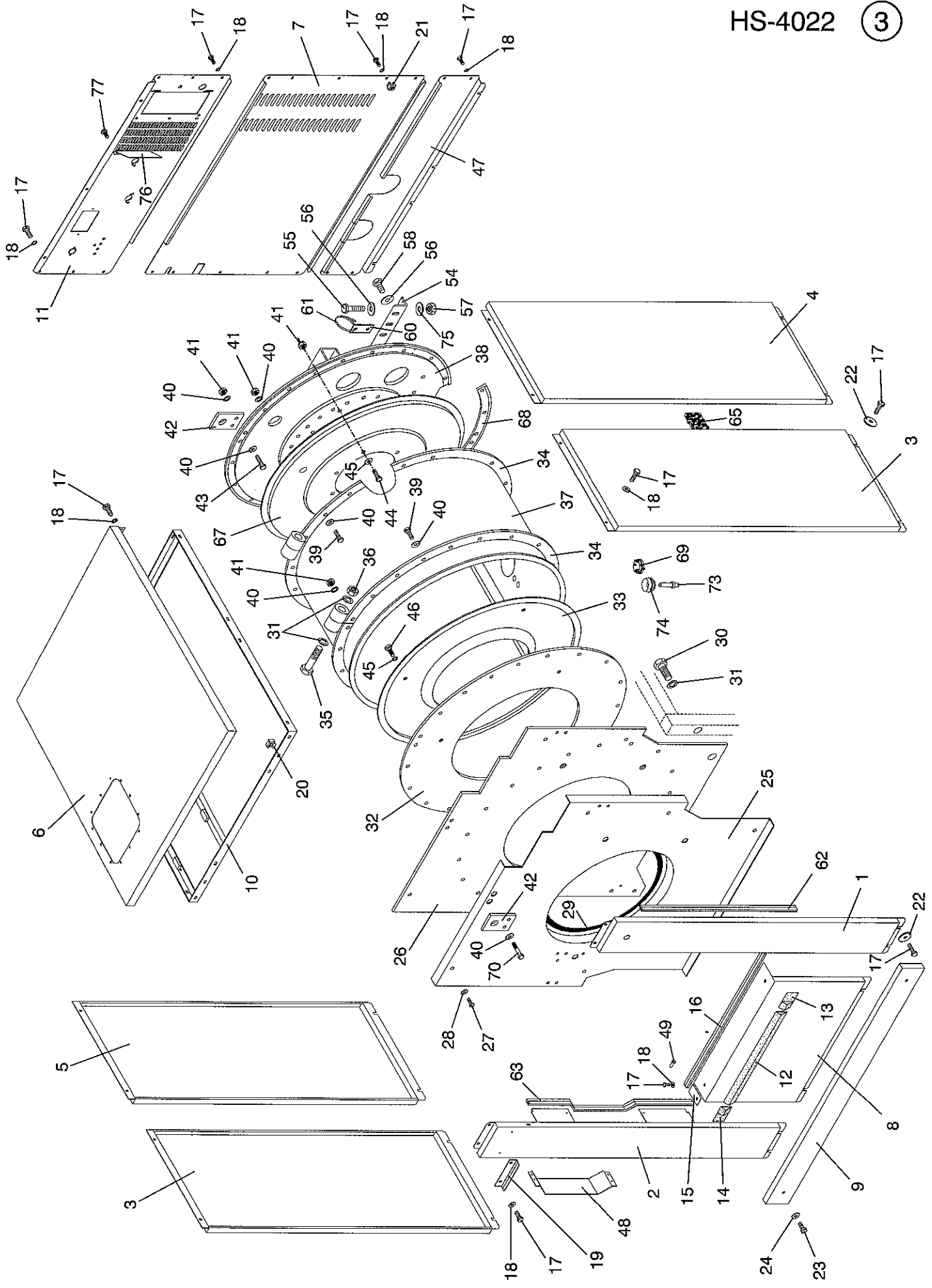


| Nº | REF. | DENOMINATION | DENOMINACIÓN | DÉNOMINATION |
|----|----------|---|---|--|
| 1 | 272294 | SUSPENDED CHASSIS | CHASIS FLOTANTE | CHASSIS SUSPENDU |
| 2 | 407916 | FIXED CHASSIS | CHASIS FIJO | CHASSIS FIXE |
| 3 | 249623 | SUSPENSION HINGE | CHARNELA SUSPENSION | CHARNIERE SUSPENSION |
| 4 | 117671 | FLEXIBLE SLEEVE 12X30X28X34 | CAS.ELA.12X30X28X34 R450486428 | FRETTE ELASTIQUE 12X30X28X34 |
| 5 | 279851 | SUSPENSION CLAMP | BRIDA SUSPENSION | BRIDE SUSPENSION |
| 6 | 279869 | SUSPENSION BAR | VARILLA SUSPENSION | BAGUETTE SUSPENSION |
| 7 | 197384 * | SUSPENSION SPRING | MUELLE SUSPENSION | RESSORT SUSPENSION |
| 8 | 249631 | SUSPENSION SLEEVE | CASQUILLO SUSPENSION | FRETTE SUSPENSION |
| 9 | 272278 | SUSPENSION BRACKET | HORQUILLA SUSPENSION | FOURCHETTE SUSPENSION |
| 10 | 122036 | HEX SCREW 8G DIN-931 M-12X80 | TOR.EX.DIN931-8.8 BICR.M12X 80 | VIS HEX 8G DIN-931 M-12X80 |
| 11 | 149419 | BICR.WASHER B DIN125-ST 13 | ARAN.B DIN125-ST BICR.13 | RONDELLE B DIN125-ST BICR.13 |
| 12 | 150656 | SELFBLOCKING NUT DIN985 M-12 | TUER.AUTOBL.DIN985-8 BICR.M12 | ECROU AUTOBLOCANT DIN985 M-12 |
| 13 | 150235 | BICR.HEX NUT DIN 934-8 M-12 | TUER.EX.DIN934-8 BICR.M12 | ECROU HEX DIN 934-8 BICR.M-12 |
| 14 | 164285 | SELFBLOCKING NUT DIN985 M-8 | TUER.AUTOBL.DIN985-8 BICR.M 8 | ECROU AUTOBLOCANT DIN985 M-8 |
| 15 | 261529 | WASHER 25X8,5X4 | ARANDELA 25X8,5X4 | RONDELLE 25X8,5X4 |
| 16 | 175091 | FRICTION SHOCK-ABSORBER | AMORT.FRICC.154020011336 180N | AMORTISSEUR FRICTION |
| 17 | 175745 | HEX SCREW 8G DIN 931 M-10X60 | TOR.EX.DIN931-8.8 BICR.M10X 60 | VIS HEX 8G DIN 931 M-10X60 |
| 18 | 149500 | BICR.WASHER B DIN125-ST 10,5 | ARAN.B DIN125-ST BICR.10,5 | RONDELLE B DIN125-ST BICR.10,5 |
| 19 | 150649 | SELFBLOCKING NUT DIN 985 M-10 | TUER.AUTOBL.DIN985-8 BICR.M10 | ECROU AUTOBLOCANT DIN 985 M-10 |
| 20 | 327783 | MOTEUR MT103-140/4 200/400V3KW (PULLEY INCLUDED) | MOTOR MT103-140/4 200/400V 3KW (INCLUYE POLEA) | MOTOR MT103-140/4 200/400V 3KW (COMPRIS POULIE) |
| | 101907 | BEARING 6306-2Z QE6 (COUPLING SIDE) | RODAMIENTO 6306-2Z QE6 (LADO ACOUPLE) | ROULEMENT 6306-2Z QE6 (COTE COUPLAGE) |
| | 186841 | BEARING 6305-2Z QE6 (FAN SIDE) | RODAMIENTO 6305-2Z QE6 (LADO VENTILADOR) | ROULEMENT 6305-2Z QE6 (CÔTÈ VENTILATEUR) |
| 24 | 320754 | MOTOR PULLEY | POLEA MOTOR | MOTEUR POULIE |
| 29 | 251124 | EXTRACT MOTOR PLATE | PLACA MOTOR CENTRIFUGADO | PLAQUE MOTEUR ESSORAGE |
| 31 | 191676 | HEX SCREW 8G DIN933 M 8X 35 | TOR.EX.DIN933-8.8 BICR.M 8X 35 | VIS HEX 8G DIN933 M 8X 35 |
| 32 | 251298 | MOTOR PLATE FIXING | FIJACION PLACA MOTOR | FIXATION PLAQUE MOTEUR |
| 33 | 146738 | BI HEX SCREW DIN933-8.8 M14X45 | TOR.EX.DIN933-8.8 BICR.M14X 45 | VIS HEX DIN933-8.8 BICR M14X45 |
| 34 | 149393 | BICR WASHER B DIN125-ST 15 | ARAN.B DIN125-ST BICR.15 | RONDELLE B BICR DIN125-ST 15 |

| N° | REF. | DENOMINATION | DENOMINACIÓN | DÉNOMINATION |
|----|--------|--------------------------------|--------------------------------|--------------------------------|
| 35 | 164350 | SELFBLOCKING NUT DIN-985 M-14 | TUER.AUTOBL.DIN985-8 BICR.M14 | ECROU AUTOBLOCANT DIN985 M-14 |
| 36 | 163600 | HEX SCREW 8G DIN-933 M-14X60 | TOR.EX.DIN933-8.8 BICR.M14X 60 | VIS HEX 8G DIN-933 M-14X60 |
| 37 | 258715 | TIGHTENER BOLT | BULON TENSOR | BOULON TENDEUR |
| 38 | 258699 | EXTRACT MOTOR TIGHTENER | TENSOR MOTOR CENTRIFUGADO | TENDEUR MOTEUR ESSORAGE |
| 42 | 111278 | WASHER 35X9X4 | ARANDELA 35X9X4 | RONDELLE 35X9X4 |
| 48 | 139279 | PLUG 280430 | CONECTOR 280430 | CONNECTEUR 280430 |
| 49 | 139261 | PLUG 163007 | CONECTOR 163007 | CONNECTEUR 163007 |
| 50 | 243717 | DRAIN BRACKET | SOPORTE DESAGÜE | SUPPORT VIDANGE |
| 51 | 144964 | INOX HEX SCREW DIN 933 M-8X15 | TOR.EX.DIN933INOX A2-70 M 8X15 | VIS HEX INOX DIN 933 M-8X15 |
| 52 | 149351 | INOX A2 WASHER DIN 125 8,4 | ARAN. DIN125 INOX A2 8,4 | RONDELLE INOX A2 DIN 125 8,4 |
| 53 | 200337 | MOTOR PROTECTION | PROTECCION MOTOR | PROTECTION MOTEUR |
| 54 | 146233 | BICR.HEX SCREW DIN933-8 M6X15 | TOR.EX.DIN933-8.8 BICR.M 6X 15 | VIS HEX DIN933-8.8 BICR.M6X15 |
| 55 | 149526 | BICR.WASHER B DIN125-ST 6,4 | ARAN.B DIN125-ST BICR. 6,4 | RONDELLE B DIN125-ST BICR.6,4 |
| 56 | 279885 | CLAMP SUPPLEMENT | SUPLEMENTO BRIDA | SUPPLEMENT BRIDE |
| 57 | 278853 | WASHER 30X12,5X4 | ARANDELA 30X12,5X4 | RONDELLE 30X12,5X4 |
| 58 | 150276 | BICR HEX.NUT DIN934-8 M-16 | TUER.EX.DIN934-8 BICR.M16 | ECROU HEX.DIN934-8 BICR M-16 |
| 59 | 149385 | BICR.WASHER B DIN125-ST 17 | ARAN.B DIN125-ST BICR.17 | RONDELLE B DIN125-ST BICR.17 |
| 60 | 173260 | SELF-BLOCKING NUT DIN 985 M-16 | TUER.AUTOBL.DIN985-8 BICR.M16 | ECROU AUTOBLOCANT DIN 985 M-16 |
| 61 | 191858 | HEX. SCREW 8G DIN931 M10X90 | TOR.EX.DIN931-8.8 BICR.M10X 90 | VIS HEX. 8G DIN931 M10X90 |
| 65 | 197046 | MINISWITCH 83161.344 I W3 | MINIRRUPTOR 83161.344 I W3 | MINIRRUPTEUR 83161.344 I W3 |
| 66 | 281113 | MICROSWITCH ISOLATION | AISLANTE MICRORRUPTOR | ISOLANT MICRORRUPTEUR |
| 67 | 302554 | CYL.BICR.SCREW DIN84-4.8 M3X25 | TOR.CIL.DIN84-4.8 BICR.M 3X25 | VIS.CYL DIN84-4.8 BICR M 3X25 |
| 68 | 149484 | BICR.WASHER B DIN125-ST 3,2 | ARAN.B DIN125-ST BICR. 3,2 | RONDELLE B.DIN125-ST BICR. 3,2 |
| 69 | 149906 | INOX. HEX. NUT DIN 934 M-3 | TUER.EX.DIN934 INOX A2-70 M 3 | ECROU HEX. INOX DIN934 M-3 |
| 70 | 175364 | PLASTIC SEPARATOR 6MM SP78/10 | SEPARADOR PLASTICO 6MM.SP78/10 | SEPARATEUR PLASTIQUE 6MM |
| 71 | 278077 | MICROSWITCH DRIVE BRACKET | SOPORTE ACCIONADOR MICRORRUP. | SUPPORT ACTIONNEMENT MICRORRUP |
| 72 | 189407 | MICROSWITCH DRIVE | ACCIONADOR MICRORRUPTOR | ACCIONNEMENT MICRORRUPTEUR |
| 73 | 189399 | MICROSWITCH DRIVE SPRING | MUELLE ACCIONADOR MICRORRUPTOR | RESSORT ACTIONNEMENT MICRORRUP |
| 74 | 149534 | BICR.WASHER B DIN125-ST 5,3 | ARAN.B DIN125-ST BICR. 5,3 | RONDELLE B BICR.DIN125-ST 5,3 |
| 75 | 147918 | QUICK FIXING 211039-6 | SUJEC.RAPIDA MIKALOR 211039-6 | FIXATION RAPIDE 211039-6 |

| N° | REF. | DENOMINATION | DENOMINACIÓN | DÉNOMINATION |
|----|--------|--------------------------------|--------------------------------|--------------------------------|
| 76 | 146258 | BIC.HEX SCREW DIN933-8.8 M4X10 | TOR.EX.DIN933-4.8 BICR.M 4X 10 | VIS HEX DIN933-8.8 BICR.M 4X10 |
| 77 | 219758 | WASHER 12X4X1,5 | ARANDELA 12X4X1,5 | RONDELLE 12X4X1,5 |
| 78 | 406207 | MICROSWITCH DRIVE END-PIECE | TOPE ACCIONADOR MICRORRUPTOR | ARRET ACTIONNEMENT MICRORRUPT. |
| 79 | 283507 | MICROSWITCH DRIVE END-PIECE | TOPE ACCIONADOR MICRORRUPTOR | ARRET ACTIONNEMENT MICRORRUPT. |
| 81 | 115733 | WASHER 16X7X3 | ARANDELA 16X7X3 | RONDELLE 16X7X3 |
| 82 | 146266 | BICR.HEX SCREW DIN933-8 M-4X15 | TOR.EX.DIN933-4.8 BICR.M 4X 15 | VIS HEX BICR.DIN933-8.8 M-4X15 |
| 83 | 149476 | BICR.WASHER B DIN125-ST 4,3 | ARAN.B DIN125-ST BICR. 4,3 | RONDELLE B DIN125-ST BICR.4,3 |
| 84 | 132043 | SELFBLOCKING NUT DIN985 M 4 | TUER.AUTOBL.DIN985-8 BICR.M 4 | ECROU AUTOBLOCANT DIN985 M 4 |
| 85 | 278051 | MICRO.DRIVE SLEEVE | CASQUILLO ACCIONADOR MICRO | FRETTE ACTIONNEMENT MICRO |
| 86 | 134924 | QUICK FIXING 2110441 | SUJEC.RAPIDA MIKALOR 211044-1 | FIXATION RAPIDE 2110441 |
| 87 | 320747 | STAR TOLERANCE RING 082003008 | ANILLO TOLER.STAR 0820-030-08 | BAGUE TOLERANCE STAR 082003008 |

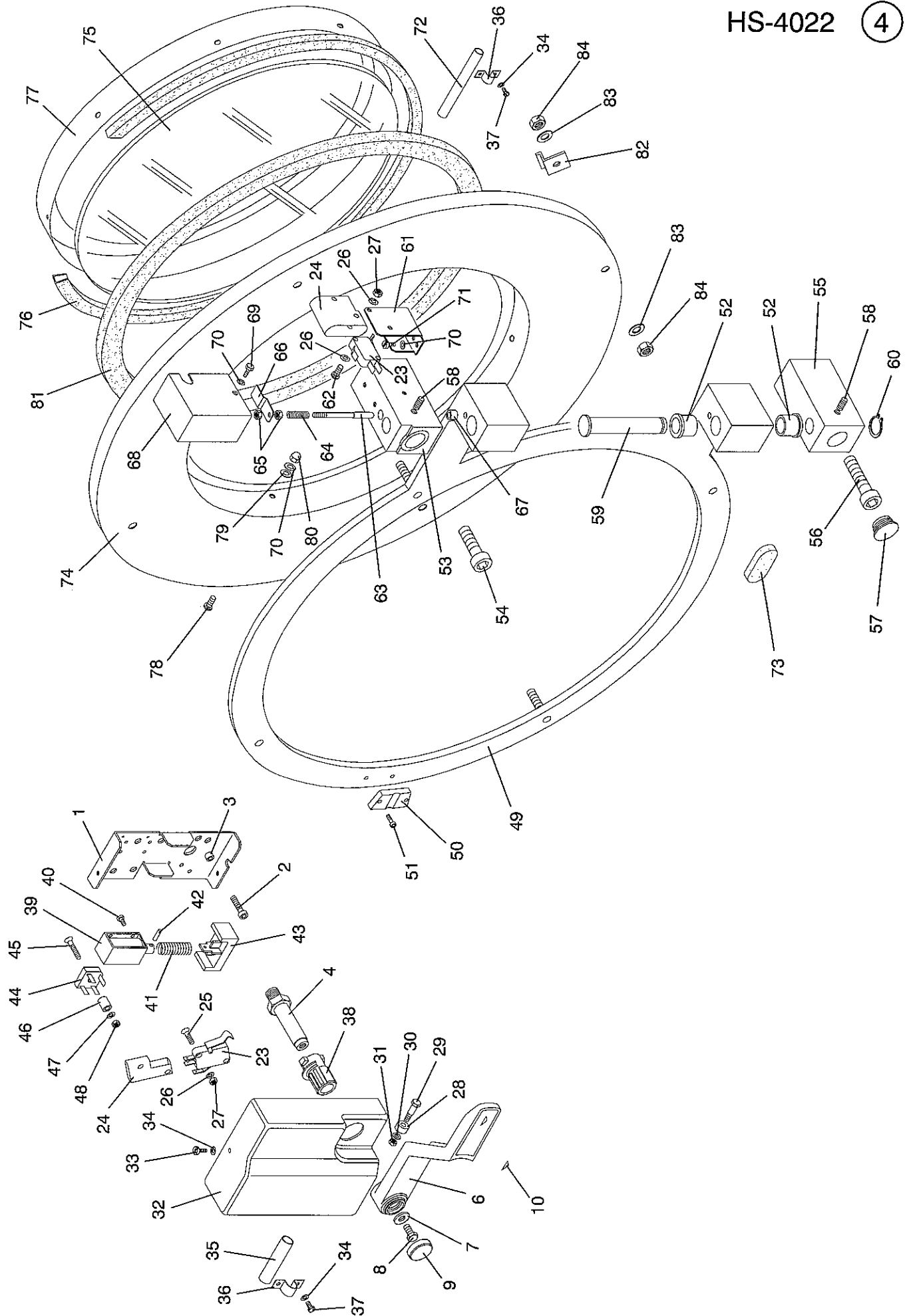
* 279844 (COMPLETE) SUSPENSION SET CONJUNTO SUSPENSION (COMPLETO) ENSEMBLE SUSPENSION (COMPLET)



| Nº | REF. | DENOMINATION | DENOMINACIÓN | DÉNOMINATION |
|----|--------|-------------------------------------|--|--|
| 1 | 277772 | RIGHT FRONT COVER (INOX) | TAPA FRONTAL DERECHA (INOX) | COUVERCLE FRONTAL DROIT (INOX) |
| | 280701 | RIGHT FRONT COVER (RED PAINTED) | TAPA FRONTAL DERECHA (PINTADA ROJA) | COUVERCLE FRONTAL DROIT (PEINTE ROUGE) |
| | 280719 | RIGHT FRONT COVER (GREY PAINTED) | TAPA FRONTAL DERECHA (PINTADA GRIS) | COUVERCLE FRONTAL DROIT (PEINTE GRIS) |
| 2 | 277780 | LEFT FRONT COVER (INOX) | TAPA FRONTAL IZQUIERDA (INOX) | COUVERCLE FRONTAL GAUCHE (INOX) |
| | 280727 | LEFT FRONT COVER (RED PAINTED) | TAPA FRONTAL IZQUIERDA (PINTADA ROJA) | COUVERCLE FRONTAL GAUCHE (PEINTE ROUGE) |
| | 280735 | LEFT FRONT COVER (GREY PAINTED) | TAPA FRONTAL IZQUIERDA (PINTADA GRIS) | COUVERCLE FRONTAL GAUCHE (PEINTE GRIS) |
| 3 | 280610 | FRONT SIDE PANEL (PAINTED) | TAPA LATERAL ANTERIOR (PINTADA) | COUVERCLE LATERAL AVANT (PEINT) |
| | 250555 | FRONT SIDE PANEL (INOX) | TAPA LATERAL ANTERIOR (INOX) | COUVERCLE LATERAL AVANT (INOX) |
| 4 | 280628 | REAR SIDE PANEL (PAINTED) | TAPA LATERAL POSTERIOR (PINTADA) | COUVERCLE LATERAL ARRIERE (PEINT) |
| | 250548 | REAR SIDE PANEL (INOX) | TAPA LATERAL POSTERIOR (INOX) | COUVERCLE LATERAL ARRIERE (INOX) |
| 5 | 280636 | REAR SIDE COVER (PAINTED) | TAPA LATERAL POSTERIOR (PINTADA) | COUVERCLE LATERAL ARRIERE (PEINT) |
| | 250571 | REAR SIDE COVER (INOX) | TAPA LATERAL POSTERIOR (INOX) | COUVERCLE LATERAL ARRIERE (INOX) |
| 6 | 409946 | UPPER COVER | TAPA SUPERIOR | COUVERCLE SUPERIEUR |
| 7 | 408088 | REAR COVER | TAPA POSTERIOR | COUVERCLE ARRIERE |
| 8 | 277764 | LOWER FRONT COVER | TAPA FRONTAL INFERIOR | COUVERCLE FRONTAL INFERIEUR |
| 9 | 259838 | SOCKET | ZOCALO | SOCLE |
| 10 | 409896 | UPPER FRAME | BASTIDOR SUPERIOR | BATI SUPERIEUR |
| 11 | 410035 | REAR PANEL | PANEL POSTERIOR | TABLEAU ARRIERE |
| 12 | 250829 | PROTECTION PROFILE | PERFIL PROTECCION | PROFILE PROTECTION |
| 13 | 174581 | TERMINAL RE. 4776/V-4 RIGHT | TERMINAL REF.V-4 DERECHA | TERMINAL REF 4776/V-4 DROITE |
| 14 | 174599 | TERMINAL RE 4776/V-4 LEFT | TERMINAL REF.V-4 IZQUIERDA | TERMINAL REF 4776/V-4 GAUCHE |
| 15 | 277756 | LOWER COVER SUPPLEMENT | SUPLEMENTO TAPA INFERIOR | SUPPLEMENT COUVERCLE INFERIEUR |
| 16 | 278689 | LOWER FRONT PROFILE | PERFIL FRONTAL INFERIOR | PROFILE FRONTAL INFERIEUR |
| 17 | 144881 | INOX HEX SCREW DIN933 M 6X15 | TOR.EX.DIN933INOX A2-70 M 6X15 | VIS HEX INOX DIN933 M 6X15 |

| N° | REF. | DENOMINATION | DENOMINACIÓN | DÉNOMINATION |
|----|--------|-------------------------------------|---|-------------------------------------|
| 18 | 149310 | INOX.A2 WASHER DIN125 6,4 | ARAN. DIN125 INOX A2 6,4 | RONDELLE INOX.A2 DIN125 6,4 |
| 19 | 250696 | UPPER COVER END-PIECE | TOPE TAPA SUPERIOR | ARRET COUVERCLE SUPERIEUR |
| 20 | 165613 | CAGED NUT M-6 2,6-3,5 | TUER.ENJ.M6 2,6-3,5 R.310009-5 | ECROU ENCAGE M-6 2,6-3,5 |
| 21 | 165019 | CAGED NUT M-6 0,5-1,5 | TUER.ENJ.M6 0,5-1,5 R.310007-9 | ECROU PRESIONER M-6 0,5-1,5 |
| 22 | 115758 | WASHER 20X7X2 | ARANDELA 20X7X2 | RONDELLE 20X7X2 |
| 23 | 144907 | INOX HEX SCREW DIN 933 M-6X10 | TOR.EX.DIN933INOX A2-70 M 6X10 | VIS HEX INOX DIN 933 M-6X10 |
| 24 | 149310 | INOX.A2 WASHER DIN125 6,4 | ARAN. DIN125 INOX A2 6,4 | RONDELLE INOX.A2 DIN125 6,4 |
| 25 | 277194 | FRONT COVER | TAPA FRONTAL | COUVERCLE FRONTAL |
| 26 | 277186 | FRONT PLATE | PLACA FRONTAL | PLAQUE FRONTAL |
| 27 | 144964 | INOX HEX SCREW DIN 933 M-8X15 | TOR.EX.DIN933INOX A2-70 M 8X15 | VIS HEX INOX DIN 933 M-8X15 |
| 28 | 149351 | INOX A2 WASHER DIN 125 8,4 | ARAN. DIN125 INOX A2 8,4 | RONDELLE INOX A2 DIN 125 8,4 |
| 29 | 165472 | ETHILENE-PROP. PROFILE (1 METER) | PERFIL ETILENO-PROP.REF.44117L (1 METRO) | PROFILE ETHILENE-PROP. (1 METRE) |
| 30 | 122077 | HEX SCREW 8G DIN-931 M14X65 | TOR.EX.DIN931-8.8 BICR.M14X 65 | VIS HEX 8G DIN-931 M14X65 |
| 31 | 149393 | BICR WASHER B DIN125-ST 15 | ARAN.B DIN125-ST BICR.15 | RONDELLE B BICR DIN125-ST 15 |
| 32 | 258582 | OUTER-DRUM FRONT CROWN | CORONA FRONTAL ENVOLVENTE | COURONNE FRONTAL CUVE |
| 33 | 250423 | OUTER-DRUM FRONT | FRONTAL ENVOLVENTE | FRONTAL CUVE |
| 34 | 258558 | OUTER-DRUM FIXING RING | ARO FIJACION ENVOLVENTE | BAGUE FIXATION CUVE |
| 35 | 175703 | HEX SCREW 8G DIN 931 M-14X100 | TOR.EX.DIN931-8.8 BICR.M14X100 | VIS HEX 8G DIN 931 M-14X100 |
| 36 | 164350 | SELFBLOCKING NUT DIN-985 M-14 | TUER.AUTOBL.DIN985-8 BICR.M14 | ECROU AUTOBLOCANT DIN985 M-14 |
| 37 | 409953 | OUTER-DRUM | ENVOLVENTE | CUVE |
| 38 | 258590 | REAR PLATE | PLACA POSTERIOR | PLAQUE POSTERIEUR |
| 39 | 147017 | BICR.HEX SCREW DIN933-8 M10X40 | TOR.EX.DIN933-8.8 BICR.M10X 40 | VIS HEX DIN933-8,8 BICR.M10X40 |
| 40 | 149500 | BICR.WASHER B DIN125-ST 10,5 | ARAN.B DIN125-ST BICR.10,5 | RONDELLE B DIN125-ST BICR.10,5 |
| 41 | 150649 | SELFBLOCKING NUT DIN 985 M-10 | TUER.AUTOBL.DIN985-8 BICR.M10 | ECROU AUTOBLOCANT DIN 985 M-10 |
| 42 | 250498 | LOADING HOOK | GANCHO DE CARGA | CROCHET DE CHARGEMENT |
| 43 | 175679 | HEX SCREW 8G DIN 933 M-10X 45 | TOR.EX.DIN933-8.8 BICR.M10X 45 | VIS HEX 8G DIN 933 M-10X 45 |
| 44 | 164202 | INOX HEX SCREW DIN933 M-10X25 | TOR.EX.DIN933INOX A2-70 M10X25 | VIS HEX INOX DIN933 M-10X25 |
| 45 | 175273 | USIT GASKET TYPE UA 16X10X1,5 | JUNTA USIT TIPO UA 16X10X1,5 | JOINT USIT TYPE UA 16X10X1,5 |
| 46 | 144931 | INOX HEX SCREW DIN933 M10X20 | TOR.EX.DIN933INOX A2-70 M10X20 | VIS HEX INOX DIN933 M10X20 |

| N° | REF. | DENOMINATION | DENOMINACIÓN | DÉNOMINATION |
|----|--------|---|---|---|
| 47 | 277350 | LOWER REAR COVER | TAPA POSTERIOR INFERIOR | COUVERCLE ARRIERE INFERIEUR |
| 48 | 277988 | LEFT FRONT COVER PROTECTION (INOX) | PROTEC.TAPA FRONTAL IZQUIERDA (INOX) | PROTECT.COUVERCLE FRONT.GAUCHE (INOX) |
| | 280743 | LEFT FRONT COVER PROTECTION (RED PAINTED) | PROTEC.TAPA FRONTAL IZQUIERDA (PINTADA ROJA) | PROTECT.COUVERCLE FRON.GAUCHE (PEINTE ROUGE) |
| | 280750 | LEFT FRONT COVER PROTECTION (GREY PAINTED) | PROTEC.TAPA FRONTAL IZQUIERDA (PINTADA GRIS) | PROTECT.COUVERCLE FRONT.GAUCHE (PEINTE GRIS) |
| 49 | 151878 | RIVET POP TLP/D/636/BS4,8X 9,1 | REMA.POP TLP/D/636/BS 4,8X 9,1 | RIVET TLP/D/636/BS 4,8X 9,1 |
| 54 | 250530 | REAR PLATE ANGLE | ANGULO PLACA POSTERIOR | ANGLE PLAQUE ARRIERE |
| 55 | 182204 | HEX SCREW 8G DIN931 M12X70 | TOR.EX.DIN931-8.8 BICR.M12X 70 | VIS HEX 8G DIN931 M12X70 |
| 56 | 110726 | WASHER | ARANDELA 34X13X4 | RONDELLE |
| 57 | 150656 | SELFBLOCKING NUT DIN985 M-12 | TUER.AUTOBL.DIN985-8 BICR.M12 | ECROU AUTOBLOCANT DIN985 M-12 |
| 58 | 116764 | HEX SCREW 8G DIN933 M-12X25 | TOR.EX.DIN933-8.8 BICR.M12X 25 | VIS HEX. 8G DIN933 M-12X25 |
| 60 | 250803 | PRESSOSTAT HOSE BRACKET | SOPORTE TUBO PRESOSTATO | SUPPORT TUBE PRESSOSTAT |
| 61 | 140525 | CLAMP 2244-0 | BRIDA UNEX 2244-0 | BRIDE 2244-0 |
| 62 | 278655 | RIGHT FRONT PROFILE | PERFIL FRONTAL DERECHA | PROFILE FRONTAL DROIT |
| 63 | 278663 | LEFT FRONT PROFILE | PERFIL FRONTAL IZQUIERDA | PROFILE FRONTAL GAUCHE |
| 65 | 219543 | ANTI-VIBRATION PIECE | PIEZA ANTI-VIBRACION | PIECE ANTI-VIBRATION |
| 67 | 409987 | OUTER-DRUM BOTTOM PLATE | FONDO ENVOLVENTE | FOND CUVE |
| 68 | 258566 | OUTER DRUM SEMI-RING | SEMI-ARO ENVOLVENTE | SEMI-BAGUE CUVE |
| 69 | 160101 | THERMOSTAT INTAKE STOPPER | TAPON TOMA TERMOSTATO | BOUCHON PRISE THERMOSTAT |
| 70 | 175737 | HEX SCREW 8G DIN 931 M-10X80 | TOR.EX.DIN931-8.8 BICR.M10X 80 | VIS HEX 8G DIN 931 M-10X80 |
| 73 | 193862 | NTC RESISTANCE 2322 640 90034 | RESISTENCIA NTC 2322 640 90042 | RESISTANCE NTC 2322 640 90034 |
| 74 | 256149 | SENSOR SHEATH LODGING | PASAMUROS SENSOR | LOGEMENT SONDE |
| 75 | 149419 | BICR.WASHER B DIN125-ST 13 | ARAN.B DIN125-ST BICR.13 | RONDELLE B DIN125-ST BICR.13 |
| 76 | 409375 | PROTECTION SCREEN | PANTALLA PROTECCION | ECRAN PROTECTION |
| 77 | 183400 | CYL.PLATE SCREW DIN7971 8X3/8" | TOR.CHAPA ST-4 20 C/AL.T25 | VIS PLAQUE CYL.DIN7971 8X3/8" |

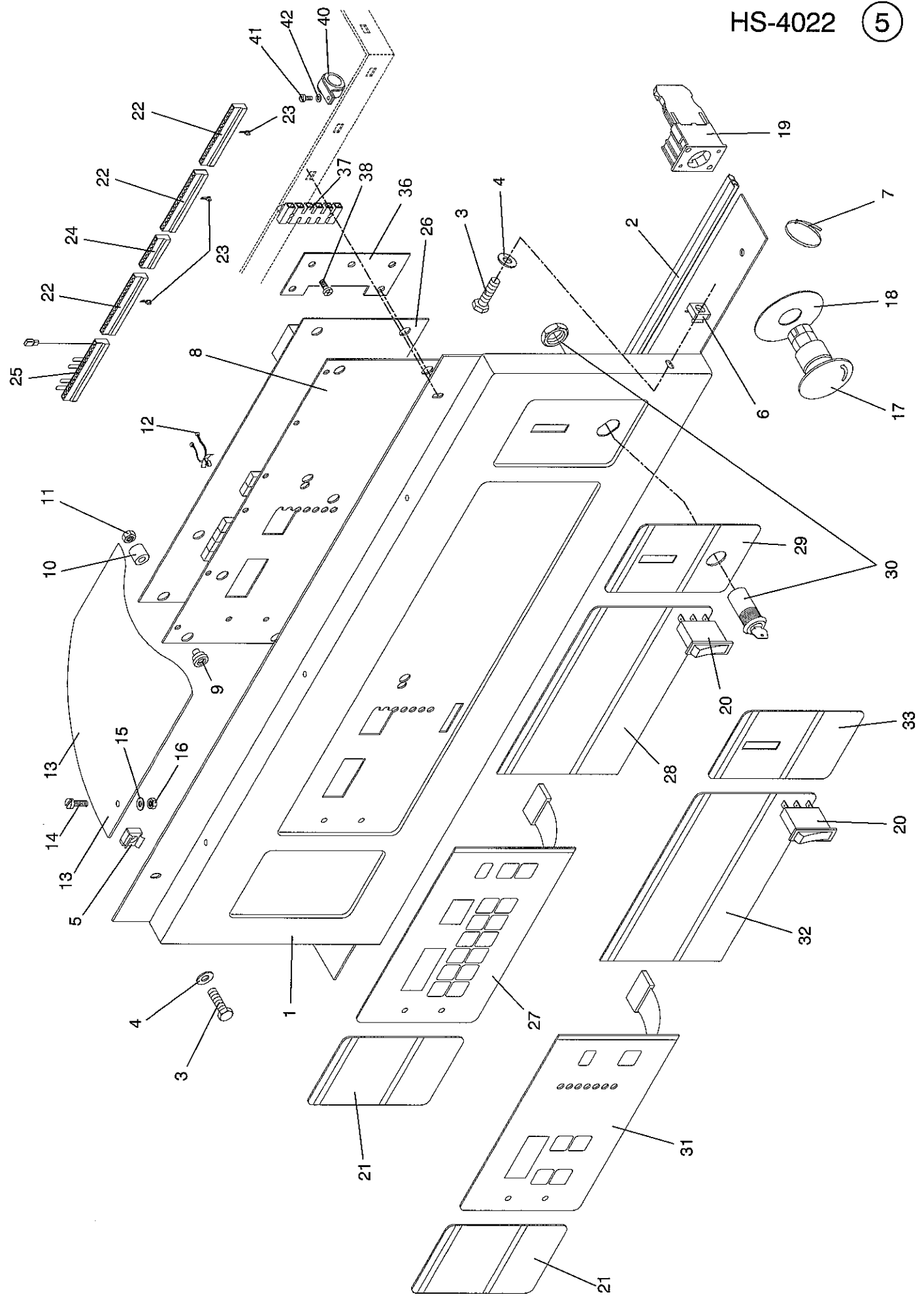


| N° | REF. | DENOMINATION | DENOMINACIÓN | DÉNOMINATION |
|----|--------|--------------------------------|--------------------------------|--------------------------------|
| 1 | 276469 | SAFETY LOCK BRACKET | SOPORTE CIERRE SEGURIDAD | SUPPORT FERMETURE DE SECURITE |
| 2 | 144352 | ALLEN SCREW DIN912 M-6X25 | TOR.ALLDIN912-8.8 BICR.M 6X 25 | VIS ALLEN DIN912 M-6X25 |
| 3 | 276527 | LOCK END-PIECE | TOPE CIERRE | ARRET FERMETURE |
| 4 | 276485 | LOCK SHAFT | EJE CIERRE | AXE FERMETURE |
| 6 | 199257 | KNOB | EMPUÑADURA | POIGNEE |
| 7 | 115733 | WASHER 16X7X3 | ARANDELA 16X7X3 | RONDELLE 16X7X3 |
| 8 | 165621 | BIC HEX SCREW DIN933-8,8 M6X10 | TOR.EX.DIN933-8.8 BICR.M 6X 10 | VIS HEX DIN933-8,8 BICR M6X10 |
| 9 | 189993 | KNOB STOPPER | TAPON EMPUÑADURA | BOUCHON POIGNEE |
| 10 | 193599 | KNOB PLATE | PLACA EMPUÑADURA | PLAQUE POIGNEE |
| 23 | 279760 | MICROSWITCH | MINIRRUPTOR | MICRORRUPTEUR |
| 24 | 281113 | MICROSWITCH ISOLATION | AISLANTE MICRORRUPTOR | ISOLANT MICRORRUPTEUR |
| 25 | 303131 | BICR.SCREW DIN963-4.8 M 3X 20 | TOR.AV.DIN963-4.8 BICR M 3X20 | VIS.T/FRAIS DIN963-4.8 B.M3X20 |
| 26 | 149484 | BICR.WASHER B DIN125-ST 3,2 | ARAN.B DIN125-ST BICR. 3,2 | RONDELLE B.DIN125-ST BICR. 3,2 |
| 27 | 149906 | INOX. HEX. NUT DIN 934 M-3 | TUER.EX.DIN934 INOX A2-70 M 3 | ECROU HEX. INOX DIN934 M-3 |
| 28 | 276519 | KNOB ROLL | RODILLO EMPUÑADURA | ROULEAU POIGNEE |
| 29 | 276477 | KNOB BOLT | BULON EMPUÑADURA | BOULON POIGNEE |
| 30 | 149526 | BICR.WASHER B DIN125-ST 6,4 | ARAN.B DIN125-ST BICR. 6,4 | RONDELLE B DIN125-ST BICR.6,4 |
| 31 | 176834 | SELFBLOCKING NUT DIN985 M-6 | TUER.AUTOBL.DIN985-8 BICR.M 6 | ECROU AUTOBLOCANT DIN985 M-6 |
| 32 | 199307 | SAFETY LOCK BOX | CAJA CIERRE SEGURIDAD | BOITE FERMETURE SECURITE |
| 33 | 300632 | INOX A2-70 SCREW DIN85 M5X 8 | TOR.PLA.DIN85 INOX A2-70 M5X 8 | VIS DIN85 INOX A2-70 M5X 8 |
| 34 | 149369 | INOX A2 WASHER DIN 125 5,3 | ARAN. DIN125 INOX A2 5,3 | RONDELLE INOX A2 DIN 125 5,3 |
| 35 | 278028 | WIRE PROTECTION HOSE | TUBO PROTECCION CABLES | TUBE PROTECTION CABLES |
| 36 | 276824 | WIRE PROTECTION CLAMP | BRIDA PROTECCION CABLES | BRIDE PROTECTION CABLES |
| 37 | 144774 | INOX HEX SCREW DIN 933 M-5X10 | TOR.EX.DIN933INOX A2-70 M 5X10 | VIS HEX INOX DIN 933 M-5X10 |
| 38 | 283689 | LOCK KNOB JOINTING | UNION EMPUÑADURA CIERRE | UNION POIGNEE FERMETURE |
| 39 | 283697 | SAFETY LOCK COIL | BOBINA CIERRE SEGURIDAD | BOBINE FERMETURE SECURITE |
| 40 | 147561 | SCREW DIN963-4.8 M 3X 7 | TOR.AV.DIN963-4.8 BICR M 3X 7 | VIS DIN963-4.8 BICR M 3X 7 |
| 41 | 300665 | COIL SPRING | MUELLE BOBINA | RESSORT BOBINE |
| 42 | 150698 | FLEXIBLE PIN DIN1481 D3X10 | PASADOR ELASTICO DIN1481 D3X10 | GOUJON ELASTIQUE DIN1481 D3X10 |
| 43 | 276402 | SLIDING BLOCKER | BLOQUEADOR DESLIZANTE | BLOQUEUR COULISSANT |

| Nº | REF. | DENOMINATION | DENOMINACIÓN | DÉNOMINATION |
|----|--------|--------------------------------|--------------------------------|--------------------------------|
| 44 | 175224 | RECTIFIER BRIDGE FB1010 | PUENTE RECTIFIC.FAGOR FB1010 | PONT RECTIFIEUR FB1010 |
| 45 | 199240 | BICR.SCREW DIN963-4.8 M4X30 | TOR.AV.DIN963-4.8 BICR M 4X30 | VIS T/FRAIS.DIN963-4 BIC.M4X30 |
| 46 | 300467 | CYLINDER SEPARATOR SS10-4 CPVC | SEPARADOR CILINDR.SS10-4 CPVC | SEPARATEUR CYLINDR.SS10-4 CPVC |
| 47 | 149476 | BICR.WASHER B DIN125-ST 4,3 | ARAN.B DIN125-ST BICR. 4,3 | RONDELLE B DIN125-ST BICR.4,3 |
| 48 | 150185 | BICR.HEX.NUT DIN934-8 M4 | TUER.EX.DIN934-8 BICR.M 4 | ECROU HEX.DIN934-8 BICR.M4 |
| 49 | 282988 | DOOR RING | ARO ESCOTILLA | BAGUE HUBLLOT |
| 50 | 199323 | DOOR LOCK PIECE | PIEZA CIERRE SEGURIDAD | PIECE FERMETURE HUBLLOT |
| 51 | 144279 | ALLEN SCREW DIN 912 M-5X15 | TOR.ALLDIN912-8.8 BICR.M 5X 15 | VIS ALLEN DIN 912 M-5X15 |
| 52 | 116723 | SELFOIL SLEEVE B11B14-20-20/25 | COJ. SELFOIL B11B14-20-20/25-3 | FRETTE SELFOIL B11B14-20-20/25 |
| 53 | 277228 | HINGE | BISAGRA | CHARNIERE |
| 54 | 300590 | ALLEN SCREW DIN912-8.8B.M14X45 | TOR.ALLDIN912-8.8 BICR.M14X 45 | VIS ALLEN DIN912-8.8 B.M14X 45 |
| 55 | 259945 | HINGE | BISAGRA | CHARNIERE |
| 56 | 144543 | ALLEN SCREW DIN912 M14X50 | TOR.ALLDIN912-8.8 BICR.M14X 50 | VIS ALLEN DIN912 M14X50 |
| 57 | 122515 | CONICAL END-PIECE FIG.26 D25 | TOPE CONICO FIG.26 D25 | ARRET CONIQUE FIG. 26 D25 |
| 58 | 175778 | ALLEN BUMP DIN 916 M-8X15 | ESP.ALL.DIN916-10.9 M 8X15 | GOUJON ALLEN DIN 916 M-8X15 |
| 59 | 250522 | DOOR BOLT | BULON ESCOTILLA | BOULON HUBLLOT |
| 60 | 115949 | FLEXIBLE RING E-14 DIN 471 | ANILLO ELASTICO E-14 DIN 471 | BAGUE ELASTIQUE E-14 DIN 471 |
| 61 | 276857 | MICROSWITCH BRACKET | SOPORTE MICRORRUPTOR | SUPPORT MICRORRUPTEUR |
| 62 | 146043 | BIC CYL SCREW DIN84-4,8 M3X16 | TOR.CIL.DIN84-4.8 BICR.M 3X16 | VIS CYL DIN84-4,8 BICR.M3X16 |
| 63 | 276865 | MICROSWITCH DRIVE BOLT | PERNO ACCIONADOR MICRORRUPTOR | GOUJON ACTIONNEMENT MICRORRUP. |
| 64 | 198069 | SPRING | MUELLE COMPENSADOR | RESSORT |
| 65 | 149922 | INOX HEX. NUT DIN 934 M-4 | TUER.EX.DIN934 INOX A2-70 M 4 | ECROU HEX. INOX DIN 934 M-4 |
| 66 | 276873 | MICROSWITCH DRIVE | ACCIONADOR MICRORRUPTOR | ACTIONNEMENT MICRORRUPTEUR |
| 67 | 276840 | GUIDE SLEEVE | CASQUILLO GUIA | FRETTE GUIDE |
| 68 | 276915 | PROTECTION COVER | TAPA PROTECCION | COUVERCLE PROTECTION |
| 69 | 144832 | INOX.HEX.SCREW DIN 933 M-4X10 | TOR.EX.DIN933INOX A2-70 M 4X10 | VIS HEX INOX. DIN 933 M-4X10 |
| 70 | 149328 | INOX A2 WASHER DIN 125 4,3 | ARAN. DIN125 INOX A2 4,3 | RONDELLE INOX A2 DIN 125 4,3 |
| 71 | 145664 | INOX FLAT SCREW DIN85 M 4X8 | TOR.PLA.DIN85 INOX A2-70 M4X 8 | VIS PLAT INOX DIN85 M 4X8 |
| 72 | 276832 | WIRE PROTECTION HOSE | TUBO PROTECCION CABLES | TUBE PROTECTION CABLES |
| 73 | 200212 | DOOR END-PIECE | TOPE ESCOTILLA | ARRET HUBLLOT |

| N° | REF. | DENOMINATION | DENOMINACIÓN | DÉNOMINATION |
|----|----------|-----------------------------|--------------------------------|--------------------------------|
| 74 | 249789 * | DOOR RING | ARO ESCOTILLA | BAGUE HUBLLOT |
| 75 | 117226 | GLASS SPYHOLE D370X5 | MIRILLA CRISTAL D370+-1,5X5 | VITRE D370X5 |
| 76 | 116756 | A PROFILE NEOPRENE WHITE | PERFIL A EPDM BLANCO 1165MM. | PROFILE A NEOPRENE BLANC |
| 77 | 249797 | OUTER RING | ARO EXTERIOR | BAGUE EXTERIEUR |
| 78 | 145664 | INOX FLAT SCREW DIN85 M 4X8 | TOR.PLA.DIN85 INOX A2-70 M4X 8 | VIS PLAT INOX DIN85 M 4X8 |
| 79 | 116129 | SCREW GASKET | JUNTA TORNILLO | JOINT VIS |
| 80 | 150151 | INOX BLIND NUT DIN 1587 M-4 | TUERCA CIE.INOX LAR.DIN1587M 4 | ECROU AVEUGLE INOX DIN 1587 M4 |
| 81 | 118059 | DOOR GASKET | JUNTA ESCOTILLA | JOINT HUBLLOT |
| 82 | 250720 | DOOR GASKET CLIP | GRAPA JUNTA ESCOTILLA | CLIP JOINT HUBLLOT |
| 83 | 149351 | INOX A2 WASHER DIN 125 8,4 | ARAN. DIN125 INOX A2 8,4 | RONDELLE INOX A2 DIN 125 8,4 |
| 84 | 149963 | INOX HEX NUT DIN 934 M-8 | TUER.EX.DIN934 INOX A2-70 M 8 | ECROU HEX. INOX DIN 934 M-8 |

| | | | |
|----------|---------------|--------------------|-----------------|
| * 249771 | COMPLETE DOOR | ESCOTILLA COMPLETA | HUBLLOT COMPLET |
|----------|---------------|--------------------|-----------------|

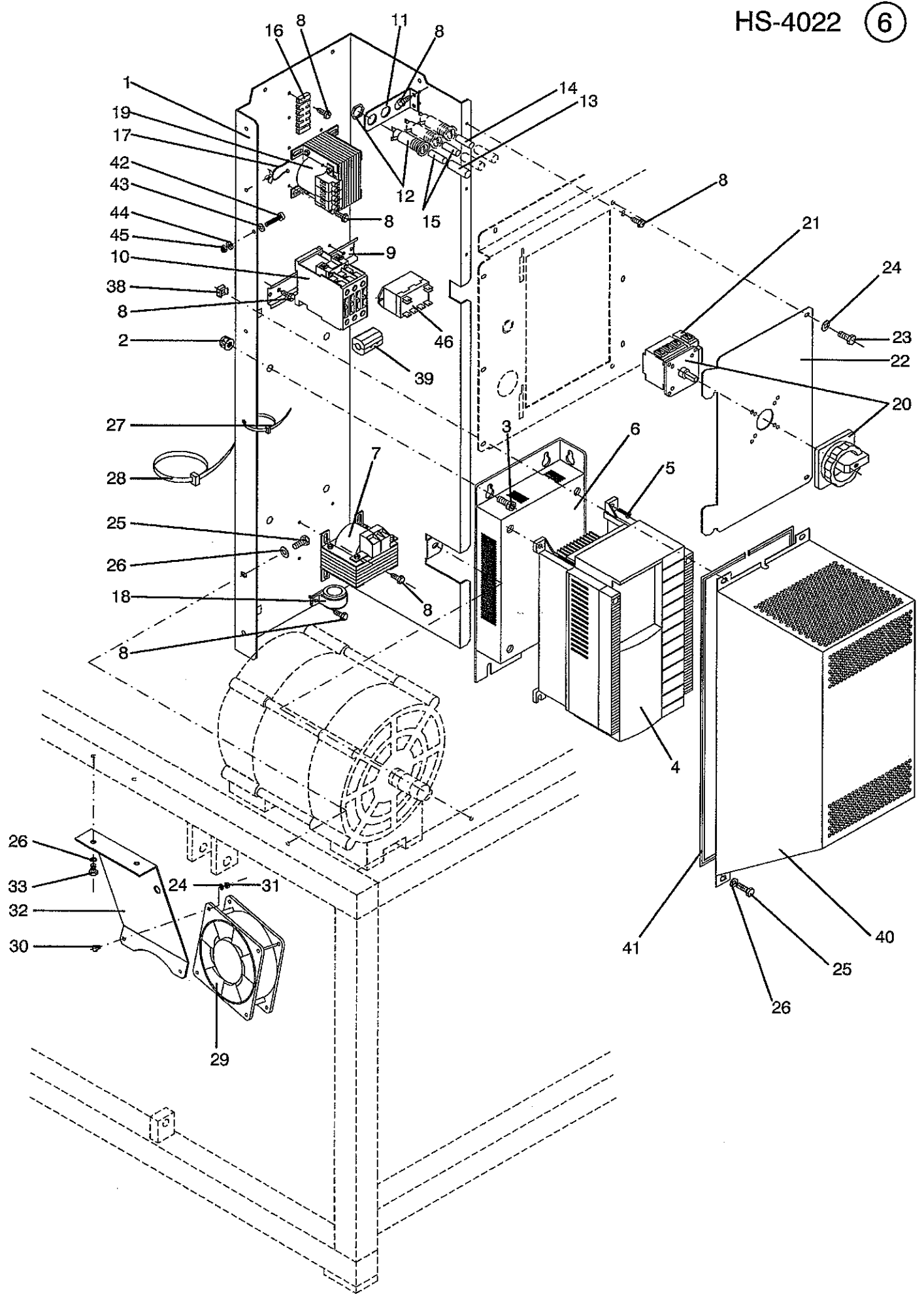


| Nº | REF. | DENOMINATION | DENOMINACIÓN | DÉNOMINATION |
|----|--------|--------------------------------|--------------------------------|--------------------------------|
| 1 | 260513 | CONTROL PANEL | PANEL DE MANDOS | TABLEAU COMMANDES |
| 2 | 278671 | CONTROL PANEL PROFILE | PERFIL PANEL DE MANDOS | PROFILE TABLEAU DE COMMANDES |
| 3 | 144881 | INOX HEX SCREW DIN933 M 6X15 | TOR.EX.DIN933INOX A2-70 M 6X15 | VIS HEX INOX DIN933 M 6X15 |
| 4 | 149310 | INOX.A2 WASHER DIN125 6,4 | ARAN. DIN125 INOX A2 6,4 | RONDELLE INOX.A2 DIN125 6,4 |
| 5 | 165613 | CAGED NUT M-6 2,6-3,5 | TUER.ENJ.M6 2,6-3,5 R.310009-5 | ECROU ENCAGE M-6 2,6-3,5 |
| 6 | 165019 | CAGED NUT M-6 0,5-1,5 | TUER.ENJ.M6 0,5-1,5 R.310007-9 | ECROU PRESIONER M-6 0,5-1,5 |
| 7 | 140525 | CLAMP 2244-0 | BRIDA UNEX 2244-0 | BRIDE 2244-0 |
| 8 | 278317 | PROCESSOR ISOLATOR | AISLANTE MICROPROCESADOR | ISOLANT MICROPROCESSEUR |
| 9 | 277392 | PLATE-CONTROL SEPARATOR | SEPARADOR PANEL-PLACA | SEPARATEUR TABLEAU-PLAQUE |
| 10 | 277400 | NUT-PLATE SEPARATOR | SEPARADOR PLACA-TUERCA | SEPARATEUR PLAQUE-ECROU |
| 11 | 150185 | BICR.HEX.NUT DIN934-8 M4 | TUER.EX.DIN934-8 BICR.M 4 | ECROU HEX.DIN934-8 BICR.M4 |
| 12 | 199893 | CLAMP STL-450-3-01 | ABRAZADERA STL-450-3-01 | BRIDE STL-450-3-01 |
| 13 | 258277 | PROCESSOR BOARD LID | TAPA PLACA MICROPROCESADOR | COUVERCLE PLAQ.MICROPROCESSEUR |
| 14 | 145649 | INOX FLAT SCREW DIN85 M 4X10 | TOR.PLA.DIN85 INOX A2-70 M4X10 | VIS PLAT INOX DIN85 M-4X10 A2 |
| 15 | 219758 | WASHER 12X4X1,5 | ARANDELA 12X4X1,5 | RONDELLE 12X4X1,5 |
| 16 | 132043 | SELFBLOCKING NUT DIN985 M 4 | TUER.AUTOBL.DIN985-8 BICR.M 4 | ECROU AUTOBLOCANT DIN985 M 4 |
| 17 | 192310 | MUSHROOM PUSH-BUTTON | PUL.HONGO ENCL.3SB10 00-1AC 01 | PULSATEUR TYPE COUP DE POING |
| 18 | 192294 | YELLOW RING | ARO AMARILLO | BAGUE JAUNE |
| 19 | 197343 | CONNECTION ELEMENT 3SB13 20-0A | ELEMENTO CONEXION 3SB13 20-0A | ELEMENT CONNEXION 3SB13 20-0A |
| 20 | 300780 | SWITCH 1WIXII/3359 WHITE | INTER.PILOTO 1WIXII/3359 BLANC | INTERRUPTEUR 1WIXII/3359 BLANC |
| 21 | 301069 | ENGLISH SAFETY INSTR.PLATE | PLACA INSTR.SEGURIDAD IN. | PLAQUE INSTR.SECURITE ANGLAIS |
| | 301077 | SPANISH SAFETY INSTR.PLATE | PLACA INSTR.SEGURIDAD ES. | PLAQUE INSTR.SECURITE ESPAGNOL |
| | 301085 | FRENCH SAFETY INSTR.PLATE | PLACA INSTR.SEGURIDAD FR. | PLAQUE INSTR.SECURITE FRANCAIS |
| | 301093 | GERMAN SAFETY INSTR.PLATE | PLACA INSTR.SEGURIDAD AL. | PLAQUE INSTR.SECURITE ALLEMAND |
| | 301101 | ITALIAN SAFETY INSTR.PLATE | PLACA INSTR.SEGURIDAD IT. | PLAQUE INSTR.SECURITE ITALIEN |
| | 301119 | PORTUGUESE SAFETY INSTR.PLATE | PLACA INSTR.SEGURIDAD PO. | PLAQUE INST.SECURITE PORTUGAIS |
| | 301127 | DUTCH SAFETY INSTR.PLATE | PLACA INSTR.SEGURIDAD HO. | PLAQUE INSTR.SECURITE HOLLAND. |
| | 301135 | DANISH SAFETY INSTR.PLATE | PLACA INSTR.SEGURIDAD DA. | PLAQUE INSTR.SAFETY DANOIS |
| | 301143 | FINNISH SAFETY INSTR.PLATE | PLACA INSTR.SEGURIDAD FI. | PLAQUE INSTR.SECURITE FINLAND. |
| | 301150 | NORWEGIAN SAFETY INSTR.PLATE | PLACA INSTR.SEGURIDAD NO. | PLAQUE INST.SECURITE NORVÉGIEN |

| N° | REF. | DENOMINATION | DENOMINACIÓN | DÉNOMINATION |
|----|--------|--|---|---|
| | 301168 | SWEDISH SAFETY INSTR.PLATE | PLACA INSTR.SEGURIDAD SU. | PLAQUE INSTR.SECURITE SUÉDOIS |
| | 301176 | GREEK SAFETY INSTR.PLATE | PLACA INSTR.SEGURIDAD GR. | PLAQUE INSTR.SECURITE GREC |
| | 301184 | JAPENESE SAFETY INSTR.PLATE | PLACA INSTR.SEGURIDAD JA. | PLAQUE INSTR.SECURITE JAPONAIS |
| 22 | 197301 | PROTECTOR AMP-UNYT 1-640029-6 | PROTECTOR AMP-UNYT 1-640029-6 | PROTECTEUR AMP-UNYT 1-640029-6 |
| 23 | 197426 | POLARIZATION AMP 640180-1 | POSICIONADOR AMP 640180-1 | POLARIZATION AMP 640180-1 |
| 24 | 199810 | PROTECTOR AMP-UNYT 640029-8 | PROTECTOR AMP-UNYT 640029-8 | PROTECTEUR AMP-UNYT 640029-8 |
| 25 | 279190 | IDENTIFICATION PLUG (FOR PM) | CONECTORA IDENTIFICACION (PARA PM) | CONNECTEUR IDENTIFICATION (POUR PM) |
| | 279182 | IDENTIFICATION PLUG (FOR SM) | CONECTORA IDENTIFICACION (PARA SM) | CONNECTEUR IDENTIFICATION (POUR SM) |
| 26 | 318170 | MICROPROCESSOR BOARD PM (FOR PM) | PLACA MICROPROCESADOR PM VR (PARA PM) | PLAQUE MICROPROCESSEUR PM (POUR PM) |
| | 318162 | MICROPROCESSOR BOARD SM/CM (FOR SM) | PLACA MICROPROCESADOR SM/CM VR (PARA SM) | PLAQUE MICROPROCESSEUR SM/CM (POUR SM) |
| | 320655 | WASHER-EXTRACTOR EPROM PM4 V04 (FOR PM) | EPROM LAVADORAS PM4 VER04 (PARA PM) | EPROM LAVEUSES PM4 VER04 (POUR PM) |
| | 320663 | WASHER-EXTRACTOR EPROM SM4/CM4 (FOR SM) | EPROM LAVADORAS SM4/CM4 VER03 (PARA SM) | EPROM LAVEUSES SM4/CM4 VER01 (POUR SM) |
| | 187195 | RAM ZERO POWER MK48Z08-10 (FOR PM) | RAM ZERO POWER MK48Z08-10 (PARA PM) | RAM ZERO POWER MK48Z08-10 (POUR PM) |
| | 303933 | EEPROM ST24C04 (FOR SM) | EEPROM ST24C04 (PARA SM) | EEPROM ST24C04 (POUR SM) |
| | 187203 | INPUT OPTOISOLATOR 4N26 | OPTOACOPLADOR ENTRADA 4N26 | OPTOISOLATOR ENTREE 4N26 |
| | 187211 | OUTPUT OPTOISOLATOR S21MD4V | OPTOACOPLADOR SALIDA S21MD4V | OPTOISOLATOR SORTIE S21MD4V |
| | 188003 | DISPLAY TDSR 5160 | DISPLAY TDSR 5160 | DISPLAY TDSR 5160 |
| 27 | 300673 | WASHER KEYBOARD PM (FOR PM) | TECLADO LAVADORA PM (PARA PM) | CLAVIER LAVEUSE PM (POUR PM) |
| 28 | 301440 | ENGLISH OPERATION INSTR.PLATE (FOR PM) | PLACA INSTR.FUNCION. IN. (PARA PM) | PLAQUE INSTR.FONCTION ANGLAIS (POUR PM) |
| | 301457 | SPANISH OPERATION INSTR.PLATE (FOR PM) | PLACA INSTR.FUNCION. ES. (PARA PM) | PLAQUE INSTR.FONCTION ESPAGNOL (POUR PM) |
| | 301465 | FRENCH OPERATION INSTR.PLATE (FOR PM) | PLACA INSTR.FUNCION. FR. (PARA PM) | PLAQUE INSTR.FONCTION FRANCAIS (POUR PM) |
| | 301473 | GERMAN OPERATION INSTR.PLATE (FOR PM) | PLACA INSTR.FUNCION. AL. (PARA PM) | PLAQUE INSTR.FONCTION ALLEMAND (POUR PM) |
| | 301481 | ITALIAN OPERATION INSTR.PLATE (FOR PM) | PLACA INSTR.FUNCION. IT. (PARA PM) | PLAQUE INSTR.FONCTION ITALIEN (POUR PM) |

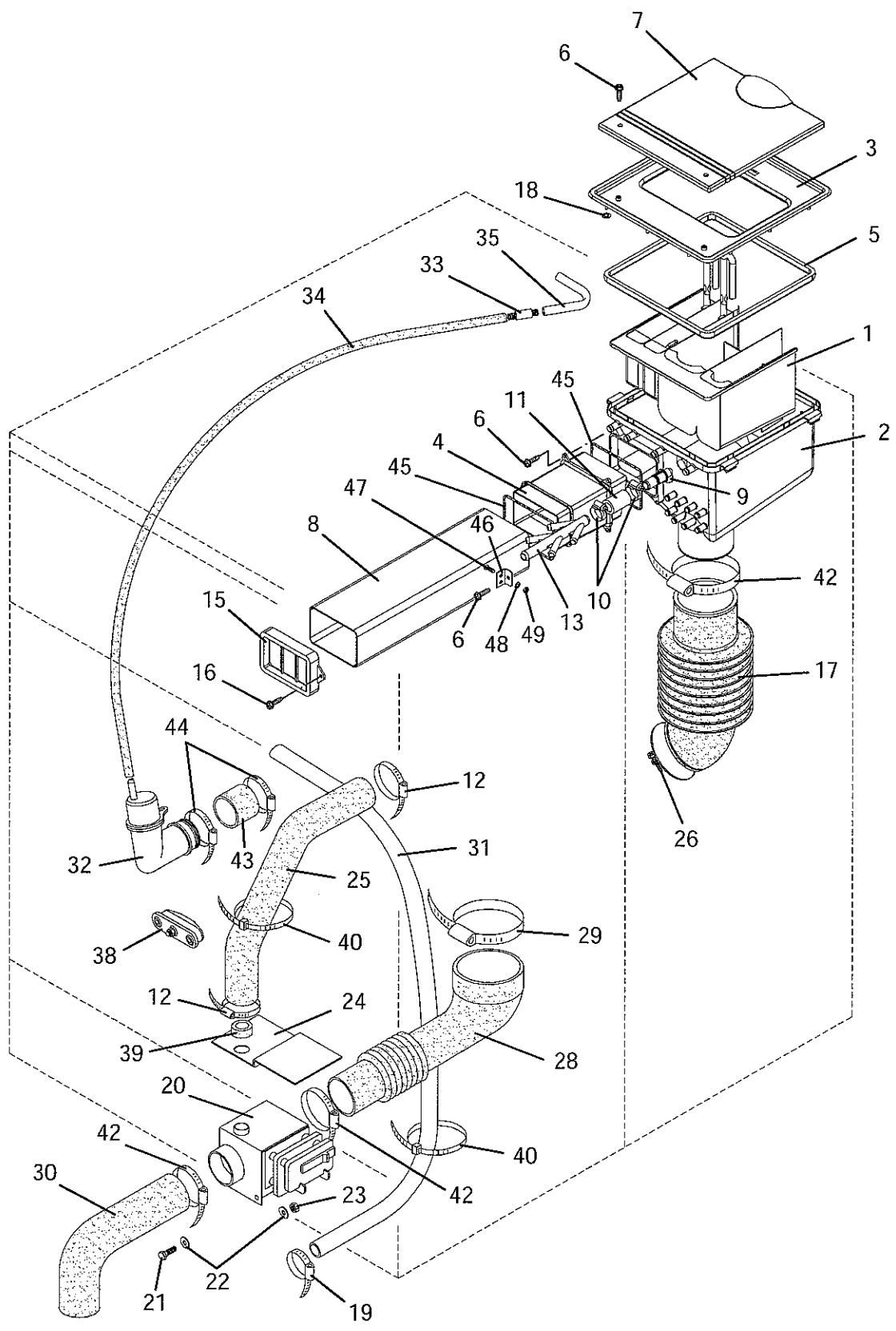
| N° | REF. | DENOMINATION | DENOMINACIÓN | DÉNOMINATION |
|----|--------|---|---------------------------------------|---|
| | 301499 | PORTUGUESE OPERATION INSTR.PLAT (FOR PM) | PLACA INSTR.FUNCION. PO. (PARA PM) | PLAQUE INST.FONCTION PORTUGAIS (POUR PM) |
| | 301507 | DUTCH OPERATION INSTR.PLATE (FOR PM) | PLACA INSTR.FUNCION. HO. (PARA PM) | PLAQUE INSTR.FONCTION HOLLAND. (POUR PM) |
| | 301515 | DANISH OPERATION INSTR.PLATE (FOR PM) | PLACA INSTR.FUNCION. DA. (PARA PM) | PLAQUE INSTR.FONCTION DANOIS (POUR PM) |
| | 301523 | FINNISH OPERATION INSTR.PLATE (FOR PM) | PLACA INSTR.FUNCION. FI. (PARA PM) | PLAQUE INSTR.FONCTION FINLAND. (POUR PM) |
| | 301531 | NORWEGIAN OPERATION INSTR.PLAT (FOR PM) | PLACA INSTR.FUNCION. NO. (PARA PM) | PLAQUE INSTR.FONCTION NORVÉG. (POUR PM) |
| | 301549 | SWEDISH OPERATION INSTR.PLATE (FOR PM) | PLACA INSTR.FUNCION. SU. (PARA PM) | PLAQUE INSTR.FONCTION SUÉDOIS (POUR PM) |
| | 301556 | GREEK OPERATION INSTR.PLATE (FOR PM) | PLACA INSTR.FUNCION. GR. (PARA PM) | PLAQUE INSTR.FONCTION GREC (POUR PM) |
| | 301564 | JAPENESE OPERATION INSTR.PLATE (FOR PM) | PLACA INSTR.FUNCION. JA. (PARA PM) | PLAQUE INSTR.FONCTION JAPONAIS (POUR PM) |
| 29 | 301994 | GENERAL CONTROL PLATE (FOR PM) | PLACA MANDOS GENERALES (PARA PM) | PLAQUE COMMANDES GENERALES (POUR PM) |
| 30 | 410522 | FUNCTION SWITCH (FOR PM) | CONMUTADOR FUNCIONES (PARA PM) | COMMULATEUR FONCTIONS (POUR PM) |
| 31 | 300699 | WASHER KEYBOARD SM (FOR SM) | TECLADO LAVADORA SM (PARA SM) | CLAVIER LAVEUSE SM (POUR SM) |
| 32 | 301192 | ENGLISH OPERATION INSTR.PLATE (FOR SM) | PLACA INSTR.FUNCION. IN. (PARA SM) | PLAQUE INSTR.FONCTION ANGLAIS (POUR SM) |
| | 301200 | SPANISH OPEARATION INSTR.PLATE (FOR SM) | PLACA INSTR.FUNCION. ES. (PARA SM) | PLAQUE INST.FONCTION ESPAGNOL (POUR SM) |
| | 301218 | FRENCH OPERATION INSTR.PLATE (FOR SM) | PLACA INSTR.FUNCION. FR. (PARA SM) | PLAQUE INSTR.FONCTION FRANCAIS (POUR SM) |
| | 301226 | GERMAN OPERATION INSTR.PLATE (FOR SM) | PLACA INSTR.FUNCION. AL. (PARA SM) | PLAQUE INSTR.FONCTION ALLEMAND (POUR SM) |
| | 301234 | ITALIAN OPERATION INSTR.PLATE (FOR SM) | PLACA INSTR.FUNCION. IT. (PARA SM) | PLAQUE INSTR.FONCTION ITALIEN (POUR SM) |
| | 301242 | PORTUGUESE OPERATION INSTR.PLAT (FOR SM) | PLACA INSTR.FUNCION. PO. (PARA SM) | PLAQUE INST.FONCTION PORTUGAIS (POUR SM) |
| | 301259 | DUTCH OPERATION INSTR.PLATE (FOR SM) | PLACA INSTR.FUNCION. HO. (PARA SM) | PLAQUE INSTR.FONCTION HOLLAND. (POUR SM) |
| | 301267 | DANISH OPERATION INSTR.PLATE (FOR SM) | PLACA INSTR.FUNCION. DA. (PARA SM) | PLAQUE INSTR.FONCTION DANOIS (POUR SM) |
| | 301275 | FINNISH OPERATION INSTR.PLATE (FOR SM) | PLACA INSTR.FUNCION. FI. (PARA SM) | PLAQUE INSTR.FONCTION FINLAND. (POUR SM) |

| N° | REF. | DENOMINATION | DENOMINACIÓN | DÉNOMINATION |
|----|--------|--|--|--|
| | 301283 | NORWEGIAN OPERATION INSTR.PLAT (FOR SM) | PLACA INSTR.FUNCION. NO. (PARA SM) | PLAQUE INSTR.FONCTION NORVÉG. (POUR SM) |
| | 301291 | SWEDISH OPERATION INSTR.PLATE (FOR SM) | PLACA INSTR.FUNCION. SU. (PARA SM) | PLAQUE INSTR.FONCTION SUÉDOIS (POUR SM) |
| | 301309 | GREEK OPERATION INSTR.PLATE (FOR SM) | PLACA INSTR.FUNCION. GR. (PARA SM) | PLAQUE INSTR.FONCTION GREC (POUR SM) |
| 33 | 301986 | START-STOP PLATE (FOR SM) | PLACA MARCHA PARO (PARA SM) | PLAQUE MARCHE-ARRET (POUR SM) |
| 36 | 406280 | CONNECTION-BOARD BASE | BASE REGLETA | BASE REGLETTE |
| 37 | 318147 | CONNECTION-BOARD PA-329L (12 UNITS) | REGLETA PA-239L/12POLOS WP (12 ELEMENTOS) | REGLETTE PA-329L/12POLES WP (12 UNITÉS) |
| 38 | 166835 | SELFTHREADED SCREW | TORNILLO AUTOROSC.271147231900 | VIS AUTO-FILETE 271147231900 |
| 40 | 321174 | FERRITE SPLIT TRCN-28-16-20 | FERRITA SPLIT TRCN-28-16-20 | FERRITE SPLIT TRCN-28-16-20 |
| 41 | 146175 | BICR CYL SCREW DIN84-4 M-5X10 | TOR.CIL.DIN84-4.8 BICR.M 5X10 | VIS CYL BICR DIN84-4.8.M-5X10 |
| 42 | 149534 | BICR.WASHER B DIN125-ST 5,3 | ARAN.B DIN125-ST BICR. 5,3 | RONDELLE B BICR.DIN125-ST 5,3 |



| N° | REF. | DENOMINATION | DENOMINACIÓN | DÉNOMINATION |
|----|--------|--|--|---|
| 1 | 409060 | CONVERTER INSTALLATION PLATE | PLACA INSTALACION CONVERTIDOR | PLAQUE INSTALL.CONVERTISSEUR |
| 2 | 183541 | CYLIN. NUT M5 R-310077-3 | TUER.ENJ.M5 CILINDR.R-310077-3 | ECROU M5 CYLIN. R-310077-3 |
| 3 | 144261 | ALLEN SCREW DIN 912 M-5X10 | TOR.ALLDIN912-8.8 BICR.M 5X 10 | VIS ALLEN DIN 912 M-5X10 |
| 4 | 318790 | CONVERTER FRN 2.2 G11S-4EN (FOR THREE-PHASE) (FOR 380-400-415-440-480V) | CONVERTIDOR FRN 2.2 G11S-4EN (PARA TRIFASICO) (PARA 380-400-415-440-480V) | CONVERTISSEUR FRN 2.2 G11S-4EN (POUR TRIPHASE) (POUR 380-400-415-440-480V) |
| | 314948 | CONVERTER FVR 2.2 C11S-7WM (FOR SINGLE-PHASE) (FOR 200-208-220-230-240V) | CONVERTIDOR FVR 2.2 C11S-7WM (PARA MONOFASICO) (PARA 200-208-220-230-240V) | CONVERTISSEUR FVR 2.2 C11S-7WM (POUR MONOPHASE) (POUR 200-208-220-230-240V) |
| | 327551 | CONVERTER FRN 2,2 G11S-2JE (FOR THREE-PHASE) (FOR 200-208-220-230-240V) | CONVERTIDOR FRN 2.2 G11S-2JE (PARA TRIFASICO) (PARA 200-208-220-230-240V) | CONVERTISSEUR FRN 2,2 G11S-2JE (POUR TRIPHASE) (POUR 200-208-220-230-240V) |
| 5 | 146126 | BICR CYL SCREW DIN84-4 M-5X15 | TOR.CIL.DIN84-4.8 BICR.M 5X15 | VIS CYL BICR DIN84-4.8 M-5X15 |
| 6 | 318832 | FILTER TP.-4.0G11-4 (FOR THREE-PHASE) | FILTRO TIPO EFL-4.0G11-4 (PARA TRIFASICO) | FILTRE TP.RFL-4.0G11-4 (POUR TRIPHASE) |
| | 314955 | FILTER EFL-2,2C11-7 (FOR SINGLE-PHASE) | FILTRO TIPO EFL-2.2C11-7 (PARA MONOFASICO) | FILTRE EFL-2.2C11-7 (POUR MONOPHASE) |
| 7 | 318808 | INDUCTANCE DCR002 (FOR THREE-PHASE) (FOR 220-230V 50HZ 1PH) | INDUCTANCIA DCR002 (PARA TRIFASICO) (PARA 220-230V 50HZ 1PH) | INDUCTANCE DCR002 (POUR TRIPHASE) (POUR 220-230V 50HZ 1PH) |
| | 318295 | INDUCTANCE DCR001 (FOR SINGLE-PHASE) (EXCEPT FOR 220-230V 50HZ 1PH) | INDUCTANCIA DCR001 (PARA MONOFASICO) (EXCEPTO 220-230V 50HZ 1PH) | INDUCTANCE DCR001 (POUR MONOPHASE) (SAUF POUR 220-230V 50HZ 1PH) |
| 8 | 183400 | CYL.PLATE SCREW ST-4 20 C/AL | TOR.CHAPA ST-4 20 C/AL.T25 | VIS PLAQUE CYL.ST-4 20 C/AL |
| 9 | 209239 | CONTACTORS FIXING PROFILE | PERFIL FIJACION CONTACTORES | PROFILE FIXATION CONTACTEURS |
| 10 | 320846 | CONTACTOR 3RT10 24-1AL2 (FOR THREE-PHASE) | CONTACTOR 3RT10 24-1AL2 (PARA TRIFASICO) | CONTACTEUR 3RT10 24-1AL2 (POUR TRIPHASE) |
| | 321240 | COIL 3RT1924-5AL21 230-50/60 (FOR THREE-PHASE) | BOBINA 3RT1924-5AL21 230-50/60 (PARA TRIFASICO) | BOBINE 3RT1924-5AL21 230-50/60 (POUR TRIPHASE) |
| 11 | 281691 | FUSE BRACKET | SOPORTE FUSIBLES | SUPPORT FUSIBLES |
| 12 | 160119 | FUSE HOLDER REF.FEC 031 1631 | PORTAFUSIBLES REF.FEC.031.1631 | PORTE-FUSIBLE REF.FEC 031 1631 |
| 13 | 137661 | BAYONET HEAD | CABEZA BAYONETA FEK.031.1613 | TETE BAYONETTE |
| 14 | 321125 | FUSE SPT 1 A | CART.FUSIB.SPT 0001.2524 1 A | CARTOUCHE FUS. SPT 1 A |
| 15 | 319152 | FUSE SPT 0001.2521 0,5A (FOR 380-400-415-440-480V) | CART.FUSIB.SPT 0001.2521 0,5A (PARA 380-400-415-440-480V) | CARTOUCHE FUSIBLE SPT (POUR 380-400-415-440-480V) |
| | 321125 | FUSE SPT 1 A (FOR 200-208-220-230-240V) | CART.FUSIB.SPT 0001.2524 1 A (PARA 200-208-220-230-240V) | CARTOUCHE FUS. SPT 1 A (POUR 200-208-220-230-240V) |

| N° | REF. | DENOMINATION | DENOMINACIÓN | DÉNOMINATION |
|----|--------|--|--|---|
| 16 | 318147 | CONNECTION-BOARD PA-329L (12 UNITS) | REGLETA PA-239L/12POLOS WP (12 ELEMENTOS) | REGLETTE PA-329L/12POLES WP (12 UNITÉS) |
| 17 | 199893 | CLAMP STL-450-3-01 | ABRAZADERA STL-450-3-01 | BRIDE STL-450-3-01 |
| 18 | 140418 | CLAMP UNEX REF 1201 | BRIDA UNEX 1201 | BRIDE UNEX REF 1201 |
| 19 | 320218 | TRANSFORMER IP 100 VA (FOR 380-400-415-440-480V) | TRANSFORMADOR IP00 100 VA (PARA 380-400-415-440-480V) | TRANSFORMATEUR IP00 100 VA (POUR 380-400-415-440-480V) |
| | 320614 | TRANFORMER IP00 100 VA (FOR 200-208-220-230-240V) | TRANSFORMADOR IP00 100 VA (PARA 200-208-220-230-240V) | TRANSFORMATEUR IP00 100 VA (POUR 200-208-220-230-240V) |
| 20 | 320879 | PAQUET.SWITCH 3LD21030TK53 | INTERRUP.PAQUET.3LD2 103-0TK53 | INTERUPTEUR P.3LD2 103-0TK53 |
| 21 | 320895 | TERMINAL PE 3LD9220-2B | BORNE PE 3LD9220-2B | BORNE PE 3LD9220-2B |
| 22 | 408104 | CURRENT INPUT COVER | TAPA ENTRADA CORRIENTE | COUVERCLE ENTRÉE DE COURANT |
| 23 | 146084 | BICR CYL SCREW DIN84 M 4X 10 | TOR.CIL.DIN84-4.8 BICR.M 4X10 | VIS CYL BICR DIN84-4.8 M 4X 10 |
| 24 | 149476 | BICR.WASHER B DIN125-ST 4,3 | ARAN.B DIN125-ST BICR. 4,3 | RONDELLE B DIN125-ST BICR.4,3 |
| 25 | 146233 | BICR.HEX SCREW DIN933-8 M6X15 | TOR.EX.DIN933-8.8 BICR.M 6X 15 | VIS HEX DIN933-8.8 BICR.M6X15 |
| 26 | 149526 | BICR.WASHER B DIN125-ST 6,4 | ARAN.B DIN125-ST BICR. 6,4 | RONDELLE B DIN125-ST BICR.6,4 |
| 27 | 140525 | CLAMP 2244-0 | BRIDA UNEX 2244-0 | BRIDE 2244-0 |
| 28 | 140533 | CLAMP 2271-0 | BRIDA UNEX 2271-0 | BRIDE 2271-0 |
| 29 | 147884 | FAN 120X120C38 220-240V | VENTILADOR 120X120X38 220-240 | VENTILATEUR 120X120C38 220-240 |
| 30 | 146258 | BIC.HEX SCREW DIN933-4.8 M4X10 | TOR.EX.DIN933-4.8 BICR.M 4X 10 | VIS HEX DIN933-4.8 BICR.M 4X10 |
| 31 | 150185 | BICR.HEX.NUT DIN934-8 M4 | TUER.EX.DIN934-8 BICR.M 4 | ECROU HEX.DIN934-8 BICR.M4 |
| 32 | 291286 | FAN BRACKET | SOPORTE VENTILADOR | SUPPORT VENTILATEUR |
| 33 | 165621 | BIC HEX SCREW DIN933-8,8 M6X10 | TOR.EX.DIN933-8.8 BICR.M 6X 10 | VIS HEX DIN933-8,8 BICR M6X10 |
| 38 | 321117 | NUT ENJ.M6 1,6-2,5 R.310008-7 | TUER.ENJ.M6 1,6-2,5 R.310008-7 | ECROU ENJ.M6 1,6-2.5 R310008-7 |
| 39 | 321166 | FERRITE SPLIT RFC-9 | FERRITA SPLIT RFC-9 | FERRITE SPLIT RFC-9 |
| 40 | 409243 | CEM BOX | CAJA CEM | BOÎTE CEM |
| 41 | 321273 | PROFILE E0819T00000 UL94HB | PERFIL E0813T00000 UL94HB | PROFILE E0819T00000 UL94HB |
| 42 | 144295 | BICR.SCREW ALLEN912-8.8 M 5X25 | TOR.ALLDIN912-8.8 BICR.M 5X 25 | VIS ALLDIN912-8.8 BICR.M 5X 25 |
| 43 | 149534 | BICR.WASHER B DIN125-ST 5,3 | ARAN.B DIN125-ST BICR. 5,3 | RONDELLE B BICR.DIN125-ST 5,3 |
| 44 | 149724 | BICR EXT.TOOT.WASH.DIN6798 M5 | ARAN.DEN.EXTER.BICR.DIN6798M 5 | RONDEL DEN.EX.BICR.DIN6798 M5 |
| 45 | 150177 | BICR HEX NUT DIN934-8 M5 | TUER.EX.DIN934-8 BICR.M 5 | ECROU HEX DIN934-8 BIC.M5 |
| 46 | 318840 | IND.RELAY G7L-2A-TUB 200-240V | RELE IND.G7L-2A-TUB 200-240VAC | RELAIS IND.G7L-2A-TUB 200-240V |



| Nº | REF. | DENOMINATION | DENOMINACIÓN | DÉNOMINATION |
|----|--------|--|--|--|
| 1 | 328641 | DISTRIBUTOR ASSEMBLY | CONJUNTO DISTRIBUIDOR | ENSEMBLE DISTRIBUTEUR |
| | 321380 | ASPIRATION HOSE | TUBO ASPIRACION | TUBE ASPIRATION |
| 2 | 321331 | SOAP DISPENSER BODY | CUERPO DOSIFICADOR | CORPS BAC A PRODUITS |
| 3 | 321406 | SOAP DISPENSER LID FRAME | MARCO TAPA DOSIFICADOR | CADRE COUVERCLE BAC A PRODUITS |
| 4 | 321505 | OVERFLOW HOSE | TUBO REBOSADERO | TUBE DEVERSOIR |
| 5 | 321430 | SOAP DISPENSER GASKET | JUNTA DOSIFICADOR | JOINT BACS A PRODUITS |
| 6 | 326660 | SCREW PT K40X12 WN1451-TORX | TOR.PT K40X12 WN1451-TORX | VIS PT K40X12 WN1451-TORX |
| 7 | 321414 | SOAP DISPENSER LID | TAPA DOSIFICADOR | COUVERCLE BAC A PRODUITS |
| 8 | 410019 | OVERFLOW HOSE | TUBO REBOSADERO | TUBE REVERSOIR |
| 9 | 321349 | WATER INLET RACCORD | RACOR ENTRADA AGUA DIRECTA | RACCORD ENTREE EAU |
| 10 | 156109 | CLAMP 301503-8 D16-25 | ABRAZ.MIKALOR 301503-8 D16-25 | BRIDE 301503-8 D16-25 |
| 11 | 411165 | BRANCH SLEEVE | MANGUITO BIFURCACION | MANCHON BIFURCATION |
| 12 | 132290 | CLAMP 301508-9 D50-70 | ABRAZ.MIKALOR 301508-9 D50-70 | BRIDE 301508-9 D50-70 |
| 13 | 326678 | MULTIPLE BRANCH | BIFURCACION MULTIPLE | BIFURCATION MULTIPLE |
| 15 | 410027 | OVERFLOW HOSE FRAME | MARCO TUBO REBOSADERO | CADRE TUBE REVERSOIR |
| 16 | 322750 | SCREW FDS SF-M5X12PKS | TOR.FDS SF-M5X12PKS TORX SPER. | VIS.FDS SF-M5X12PKS |
| 17 | 321448 | SOAP DISPENSER BELLOWS | FUELLE DOSIFICADOR | FAUX-PLI BAC A PRODUITS |
| 18 | 193540 | MIKALOR QUICK FIXING 211038-8 | SUJEC.RAPIDA MIKALOR 211038-8 | FIXATION RAPIDE MIKALOR |
| 19 | 156109 | CLAMP 301503-8 D16-25 | ABRAZ.MIKALOR 301503-8 D16-25 | BRIDE 301503-8 D16-25 |
| 20 | 163212 | DRAIN (NORMALLY OPEN) (NORMALLY OPEN) | DESAGUE(ABIERTO A F.DE CORR.) (NORMALMENTE ABIERTO) | VIDANGE (NORMALEMENT OUVERTE) (NORMALEMENT OUVERT) |
| | 163238 | DRAIN (NORMALLY CLOSED) (FOR PM) | DESAGUE(CERRADO A F.DE CORR.) (PARA PM) | VIDANGE (NORMALEMENT FERMEE) (POUR PM) |
| | 159756 | MOTOR AND GEAR-BOX RE. 453L (NORMALLY OPEN) | MOTOR-REDUCTOR0,24A.MTR453L18 (NORMALMENTE ABIERTO) | MOTEUR ET REDUCTEUR REF.453L (NORMALEMENT OUVERT) |
| | 159764 | MOTOR AND GEAR-BOX RE. 453R (NORMALLY CLOSED) | MOTOR-REDUCTOR 453R 0,24AMP. (NORMALMENTE CERRADO) | MOTEUR ET REDUCTEUR REF. 453R (NORMALEMENT FERMÉ) |
| | 159749 | OPERATING SPRING RE. 308R (NORMALLY OPEN) | MUELLE ACCIONAMIENTO DS308R (NORMALMENTE ABIERTO) | RESSORT ACTIONNEMENT REF. 308R (NORMALEMENT OUVERT) |
| | 159731 | OPERATING SPRING RE.408L (NORMALLY CLOSED) | MUELLE ACCIONAMIENTO REF.408L (NORMALMENTE CERRADO) | RESSORT ACTIONNEMENT REF. 408L (NORMALEMENT FERMÉ) |
| | 163394 | TIGHTNESS SEAL RE. 311VP | RETEN ESTANQUEIDAD REF.VP311 | RESERVE ETACHEITE REF. 311VP |
| | 166561 | DRAIN BODY RE. 711-SO 3" | CUERPO DESAGÜE REF.711-SO 3" | CORPS VIDANGE REF. 711-SO 3" |

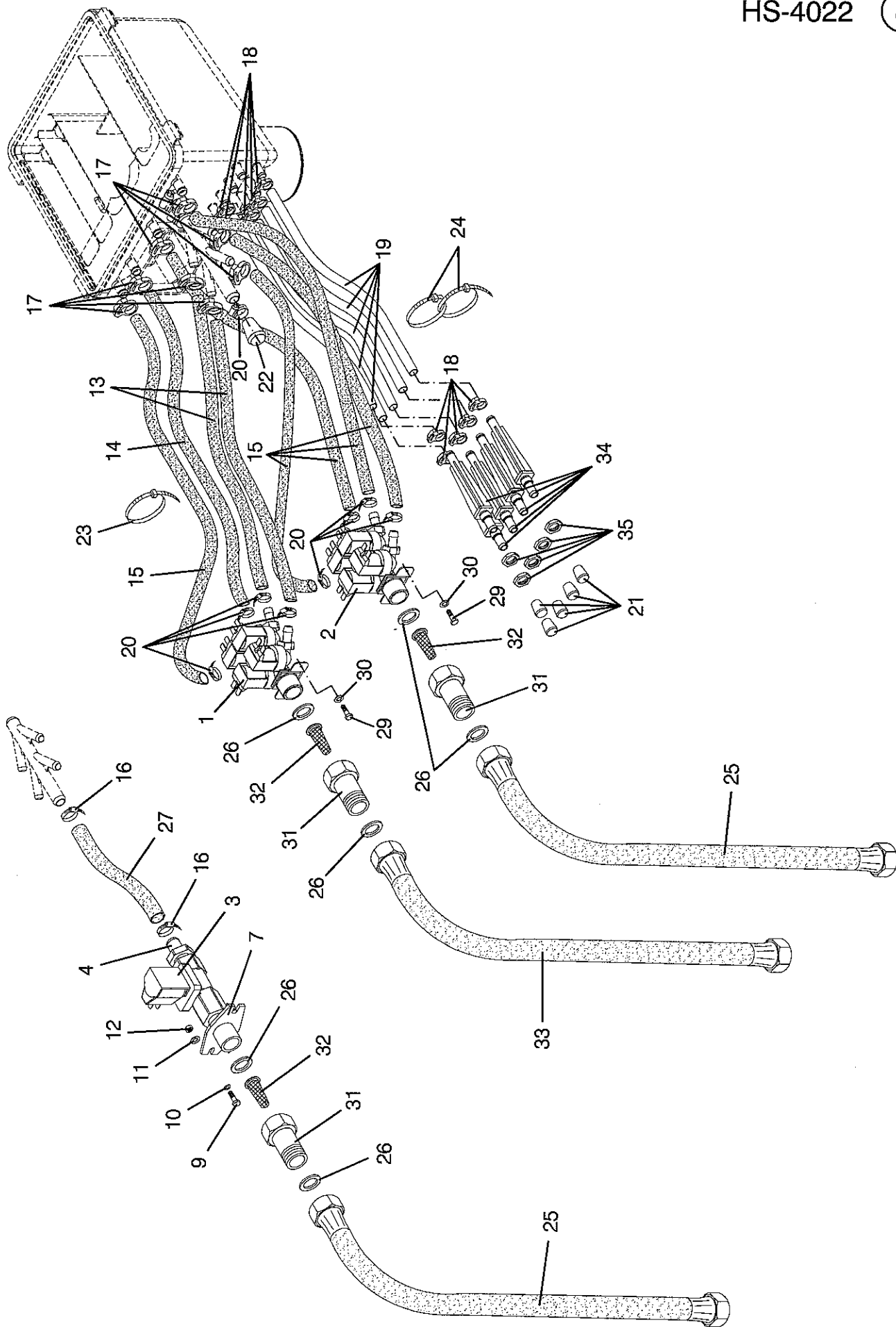
| N° | REF. | DENOMINATION | DENOMINACIÓN | DÉNOMINATION |
|----|----------|---|---|---|
| | 166553 | MOTOR FIXING PLATE REF. 304Z | PLACA FIJACION MOTOR REF.304Z | PLAQUE FIXATION MOTEUR 304Z |
| | 166611 | MOTOR FIXING PLATE SCREW | TORNILLO PLACA FIJAC.REF.306 | VIS PLAQUE FIXATION MOTEUR |
| | 166595 | MOTOR PLATE FIXING SCREW 320C | TORNILLO FIJACION REF.320C | VIS FIXATION 320C |
| | 166603 | CYL PLATE SCREW DIN7971 8X2" | TOR.CHAPA CILI.DIN7971 8X2" | VIS PLAQUE CYL DIN7971 8X2" |
| | 166587 | OPERATING SHAFT REF. 713 (NORMALLY OPEN) | EJE ACCIONAMIENTO REF.713 (NORMALMENTE ABIERTO) | AXE ACTIONNEMENT REF. 713 (NORMALEMENT OUVERT) |
| | 166579 | OPERATING SHAFT 813C (NORMALLY CLOSED) | EJE ACCIONAMIENTO REF.813C (NORMALMENTE CERRADO) | AXE ACTIONNEMENT 813C (NORMALEMENT FERMÉ) |
| | 166629 | OPERATIN SHAFT WASHER 823 | ARANDELA EJE ACCIONAM. REF.823 | RONDELLE AXE ACTIONNEMENT 823 |
| | 166637 | MANUAL LEVER REF. 601 (NORMALLY CLOSED) | PALANCA MANUAL REF.601 (NORMALMENTE CERRADO) | LEVIER MANUEL REF. 601 (NORMALEMENT FERMÉ) |
| 21 | 144881 | INOX HEX SCREW DIN933 M 6X15 | TOR.EX.DIN933INOX A2-70 M 6X15 | VIS HEX INOX DIN933 M 6X15 |
| 22 | 149310 | INOX.A2 WASHER DIN125 6,4 | ARAN. DIN125 INOX A2 6,4 | RONDELLE INOX.A2 DIN125 6,4 |
| 23 | 149971 | INOX. HEX. NUT DIN 934 M-6 | TUER.EX.DIN934 INOX A2-70 M 6 | ECROU HEX. INOX. DIN 934 M-6 |
| 24 | 212795 | DRAIN PROTECTION | PROTECCION DESAGÜE | PROTECTION VIDANGE |
| 25 | 199687 | RUBBER ELBOW D50X800X140 | CODO GOMA D50X800X140 | COUDE GOMME D50X800X140 |
| 26 | 323220 | CLAMP D94XD2 | ABRAZ.ALAMBRE D97XD2 | COLLIER D94XD2 |
| 28 | 134049 | DRAIN HOSE | TUBO DESAGÜE | TUBE VIDANGE |
| 29 | 155143 | CLAMP 301512-6D110-140 | ABRAZ.MIKALOR301512-6D110-140 | BRIDE 301512-6D110-140 |
| 30 | 163253 | DRAIN OUTLET HOSE | TUBO SALIDA DESAGÜE | TUBE SORTIE VIDANGE |
| 31 | 122697 | BEARING BOX DRAIN HOSE | TUBO DESAGÜE CAJA COJINETES | TUBE VIDANGE BOITARD ROULEMENT |
| 32 | 320382 | PRESSURE TRANSMITT INTAKE BODY | CUERPO TOMA PRESOSTATO | CORPS PRISE PRESSOSTAT |
| 33 | 120956 | LEVEL PRESSURE-SWITCH INTAKE | TOMA PRESOSTATO NIVEL | PRISE PRESSOSTAT NIVEAU |
| 34 | 244897 & | PRESSOSTAT HOSE | TUBO PRESOSTATOS | TUBE PRESSOSTATS |
| 35 | 279588 | AIR CONDUCTION HOSE | TUBO CONDUCCION AIRE | TUBE CONDUITE AIR |
| 38 | 121962 | HEATER INLET LID | CIERRE ENTRADA CALEFACTOR | FERMETURE ENTREE RESISTANCE |
| 39 | 301853 | OVERFLOW HOSE SUPPLEMENT | SUPLEMENTO TUBO REBOSADERO | SUPPLEMENT TUBE DEVERSOIR |
| 40 | 140509 | CLAMP 2273-0 | BRIDA UNEX 2273-0 | BRIDE 2273-0 |
| 42 | 132340 | CLAMP 301510-0 D80-100 | ABRAZ.MIKALOR 301510-0D80-100 | COLLIER 301510-0 D80-100 |
| 43 | 321000 | PRESSOSTAT BODY JOINTING | UNION CUERPO PRESOSTATO | UNION CORPS PRESSOSTAT |
| 44 | 149609 | CLAMP 301526-5 D25-40 | ABRAZ.MIKALOR 301526-5 D25-40 | BRIDE 301526-5 D25-40 |

| N° | REF. | DENOMINATION | DENOMINACIÓN | DÉNOMINATION |
|----|--------|--------------------------------|--------------------------------|-------------------------------|
| 45 | 326868 | FOAM SILICONE CORD D3 | CORDON SILICONA ESPONJOSA D4 | CORD SILICONE EPONGE D3 |
| 46 | 420760 | GASKET LOCK END-PIECE | TOPE APRIETE JUNTA | ARRET FERMETURE JOINT |
| 47 | 192864 | ALLEN SCREW INOX DIN7991 M4X12 | TOR.AV.ALL.INOX DIN7991M 4X 12 | VIS ALLEN INOX DIN7991 M4X 12 |
| 48 | 149328 | INOX A2 WASHER DIN 125 4,3 | ARAN. DIN125 INOX A2 4,3 | RONDELLE INOX A2 DIN 125 4,3 |
| 49 | 149922 | INOX HEX. NUT DIN 934 M-4 | TUER.EX.DIN934 INOX A2-70 M 4 | ECROU HEX. INOX DIN 934 M-4 |

& 128199 1 METER RUBBER HOSE D 9X 5

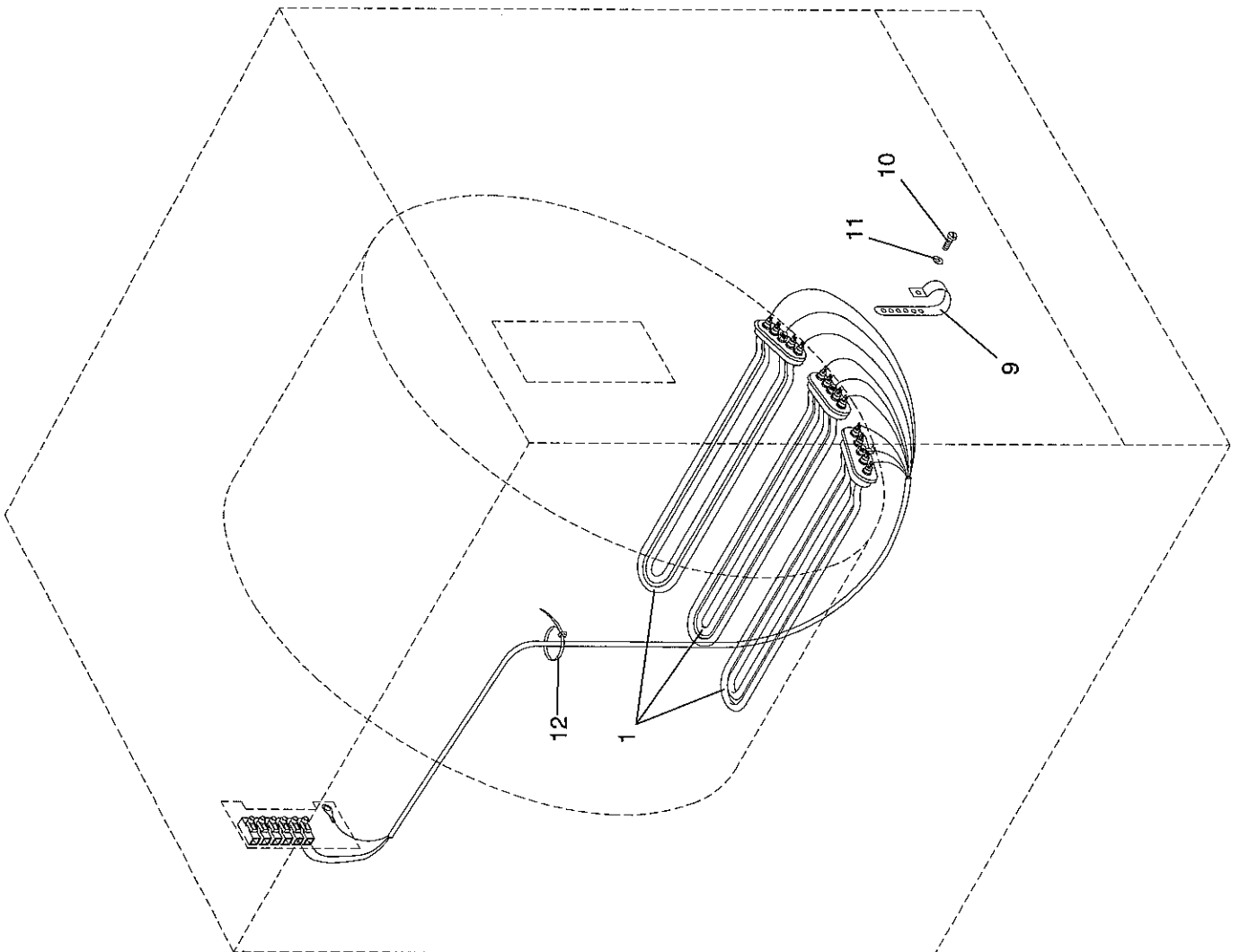
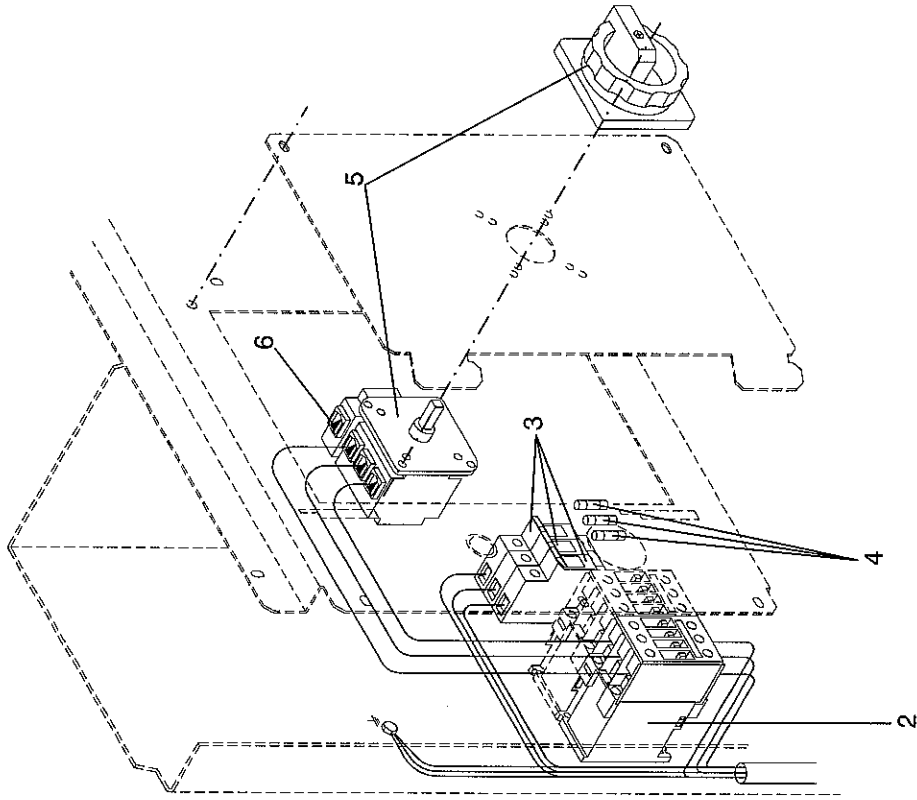
1 METRO TUBO GOMA D 9X 5

1 METRE TUBE GOMME D 9X 5

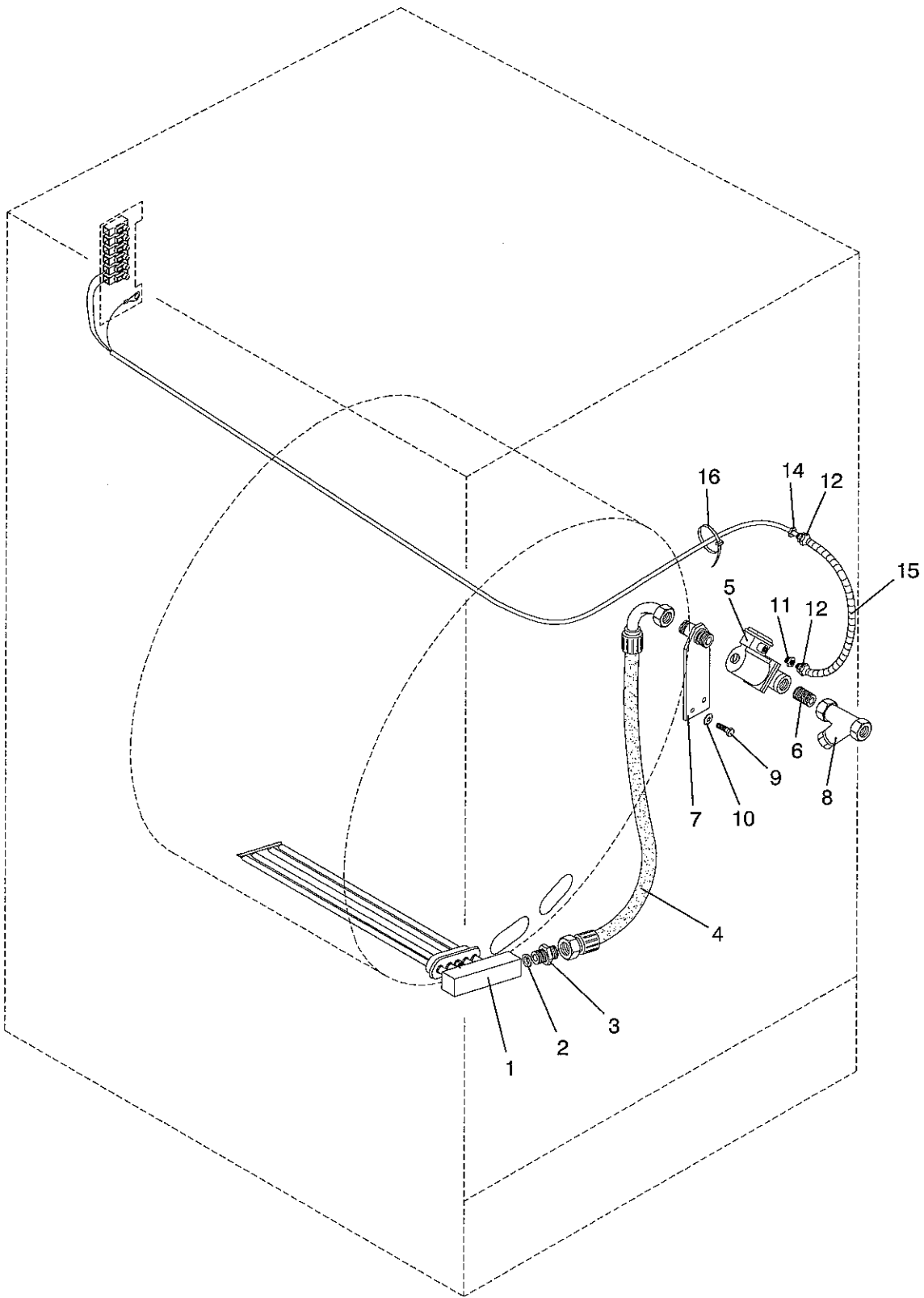


| N° | REF. | DENOMINATION | DENOMINACIÓN | DÉNOMINATION |
|----|-----------|--------------------------------|--------------------------------|---------------------------------|
| 1 | 411157 | 4-TRACK ELECTROVALVE | ELECTROVALVULA CUATRO VIAS | ELECTROVANNE 4 VOIES |
| | 192054 | ELECT.SERIES 300 COIL 220/240V | BOBINA ELEC.SERIE 300 220/240V | BOBINE ELEC.SERIE 300 220/240V |
| | 300194 | YELLOW CASE 30053 | ESTUCHE AMARILLO 30053 | BOITE JAUNE 30053 |
| | 300202 | INTEGRAL GUIDE-MEMBRANE 30696 | MEMBRANA-GUIA INTEGRAL 30696 | MEMBRANE-GUIDE INTEGRALE 30696 |
| | 156265 | REGULATOR 3 L/MIN (BLACK) | REGULADOR DE 3 L/MIN. (NEGRO) | REGULATEUR 3 L/MIN (NOIR) |
| 2 | 129411 | 180 DEG. ELECTROVALVE 389A | ELECTROV.CUADRUPLE 389-A 180° | ELECTROVANNE 180 DEG.389A |
| | 192054 | ELECT.SERIES 300 COIL 220/240V | BOBINA ELEC.SERIE 300 220/240V | BOBINE ELEC.SERIE 300 220/240V |
| | 300194 | YELLOW CASE 30053 | ESTUCHE AMARILLO 30053 | BOITE JAUNE 30053 |
| | 300202 | INTEGRAL GUIDE-MEMBRANE 30696 | MEMBRANA-GUIA INTEGRAL 30696 | MEMBRANE-GUIDE INTEGRALE 30696 |
| 3 | 116277 | INDUSTRIAL ELECTROVALVE | ELECTROVALVULA INDUSTRIAL ELBI | ELECTROVANNE INDUSTRIELLE |
| | 142778 | ELECTROVALVE COIL 3/4" 220V | BOBINA ELECTROVALVULA 3/4"220 | BOBINE ELECTROVANNE 3/4" 220V |
| | 108910 | INDUST. ELECTROVALE MEBRANE | MEMBRANA ELECTROV.INDUSTRIAL | MEMBRANE ELECTROVANNE INDUST. |
| | 192419 | INDUSTR. ELECTROV. CORE GASKET | JUNTA NUCLEO ELECTR.INDUSTRIAL | JOINT NOYAU ELECTROV. INDUSTRI. |
| 4 | 160259 | WATER INLET NUT | TUERCA ENTRADA AGUA | ECROU ENTREE EAU |
| 7 | 116830 | ELECTROVALVE BRACKET | SOPORTE ELECTROVALVULA | SUPPORT ELECTROVANNE |
| 9 | 146233 | BICR.HEX SCREW DIN933-8 M6X15 | TOR.EX.DIN933-8.8 BICR.M 6X 15 | VIS HEX DIN933-8.8 BICR.M6X15 |
| 10 | 149526 | BICR.WASHER B DIN125-ST 6,4 | ARAN.B DIN125-ST BICR. 6,4 | RONDELLE B DIN125-ST BICR.6,4 |
| 11 | 149716 | BICR.EXT TOOT.WASH.DIN6798 M6 | ARAN.DEN.EXTER.BICR.DIN6798M 6 | RONDEL.DEN.EX.BICR DIN6798 M6 |
| 12 | 150227 | BICR HEX NUT DIN934-8 M6 | TUER.EX.DIN934-8 BICR.M 6 | ECROU HEX DIN934-8 BICR.M6 |
| 13 | 411140 & | WATER INLET HOSE | TUBO ENTRADA AGUA | TUBE ENTREE EAU |
| 14 | 411132 & | WATER INLET HOSE | TUBO ENTRADA AGUA | TUBE ENTREE EAU |
| 15 | 411124 & | WATER INLET HOSE | TUBO ENTRADA AGUA | TUBE ENTREE EAU |
| 16 | 156109 | CLAMP 301503-8 D16-25 | ABRAZ.MIKALOR 301503-8 D16-25 | BRIDE 301503-8 D16-25 |
| 17 | 323675 | CLAMP NORMA 22HC0593 | ABRAZADERA NORMA 22HC0593 | COLLIER NORMA 22HC0593 |
| 18 | 323667 | CLAMP NORMA D12,07-D13,61 | ABRAZADERA NORMA D12,07-D13,61 | COLLIER NORMA D12,07-D13,61 |
| 19 | 411264 \$ | EXTERNAL DOSING HOSE | TUBO DOSIFICACION EXTERNA | TUBE DOSAGE EXTERNE |
| 20 | 155150 | CLAMP 301502-0 D12-20 | ABRAZ.MIKALOR 301502-0 D12-20 | BRIDE 301502-0 D12-20 |
| 21 | 156679 | CONICAL END-PIECE R-16 D10 | TOPE CONICO REPRIMSA R-16 D10 | BOUCHON CONIQUE R-16 D10 |
| 22 | 156687 | CONICAL END-PIECE R-16 D16 | TOPE CONICO REPRIMSA R-16 D16 | ARRET CONIQUE R-16 D16 |
| 23 | 140533 | CLAMP 2271-0 | BRIDA UNEX 2271-0 | BRIDE 2271-0 |

| N° | REF. | DENOMINATION | DENOMINACIÓN | DÉNOMINATION |
|----|----------|-----------------------------------|---------------------------------------|---------------------------------------|
| 24 | 140509 | CLAMP 2273-0 | BRIDA UNEX 2273-0 | BRIDE 2273-0 |
| 25 | 326587 | WATER INLET AC DI12,5 L1,5M | TUBO ENTRADA AC DI12,5 L1,5M | FLEXIBLE ENTRÉE AC DI12,5 L1,5 |
| 26 | 114348 | GASKET D24XD15X1,5 | JUNTA MIFLEX D24X13,5X2 | JOINT D24XD15X1,5 |
| 27 | 411199 @ | WATER INLET HOSE | TUBO ENTRADA AGUA | TUBE ENTRÉE EAU |
| 29 | 146258 | BIC.HEX SCREW DIN933-8.8 M4X10 | TOR.EX.DIN933-4.8 BICR.M 4X 10 | VIS HEX DIN933-8.8 BICR.M 4X10 |
| 30 | 149732 | BICR.EXT T00T.WASH DIN6798 M4 | ARAN.DEN.EXTER.BICR.DIN6798M 4 | RONDEL.DEN.EX.BICR.DIN6798 M4 |
| 31 | 315317 | FILTER BODY | CUERPO FILTRO | CORPS FILTRE |
| 32 | 315614 | CONICAL FILTER | FILTRO CONICO REF.4008-2-1 | FILTRE CONIQUE |
| 33 | 326579 | WATER INLET AF DI12,5 L1,5M | TUBO ENTRADA AF DI12,5 L1,5M | FLEXIBLE ENTRÉE AF DI12,5 L,5M |
| 34 | 321422 | EXTERNAL DOSING RACCORD | RACOR DOSIFICACION EXTERNA | RACCORD DOSAGE EXTERNE |
| 35 | 323709 | FIG.312 1/4 NPT PUL.LAT.NUT | TUER.LATON FIG312 1/4NPT PULI. | ECROU LAT.FIG.312 1/4 NPT PUL. |
| | 796474 | THIRD WATER INLET KIT (FOR PM) | KIT TERCERA ENTRADA AGUA (PARA PM) | KIT TROISIEME ENTRÉE EAU (POUR PM) |
| & | 323469 | 1 METER HOSE PARIGI D10XD16 | 1 METRO TUBO PARIGI D10XD16 | 1 METRE TUBE PARIGI D10XD16 |
| \$ | 323634 | 1 METER HOSE TYGON D9,5XD12,7 | 1 METRO TUBO TYGON D9,5XD12,7 | 1 METRE TUBE TYGON D9,5XD12,7 |
| @ | 326686 | 1 METER HOSE ALIM.LM3 DI16 | 1 METRO TUBO ALIM.LM3 DI16 | 1 METRE TUBE ALIM.LM3 DI16 |



| N° | REF. | DENOMINATION | DENOMINACIÓN | DÉNOMINATION |
|----|--------|--|---|---|
| | | ELECTRIC HEATING KITS | KITS CALEFACCIÓN ELÉCTRICA | KITS CHAUFFAGE ELECTRIQUE |
| | 796151 | KIT E.H.FOR 200-208-220-230V | KIT CAL.ELEC.200-208-220-230V | KIT CH.E.POUR 200-208-220-230V |
| | 796169 | KIT E.H.FOR 240V | KIT CAL.ELEC.240V | KIT CH.E.240V |
| | 796177 | KIT E.H.380-400V | KIT CAL.ELEC.380-400V | KIT CH.E.380-400V |
| | 796185 | KIT E.H.415-440V | KIT CAL.ELEC.415-440V | KIT CH.E.415-440V |
| 1 | 320838 | HEATER 230V 6000W (FOR 200-208-220-230-380-400V) | CALEFACTOR 230V 6000W (PARA 200-208-220-230-380-400V) | RESISTANCE 230V 6000W (POUR 200-208-220-230-380-400V) |
| | 318766 | HEATER 240V 6000W (FOR 240-415-440V) | CALEFACTOR 240V 6000W (PARA 240-415-440V) | RESISTANCE 240V 6000W (POUR 240-415-440V) |
| 2 | 320846 | CONTACTOR 3RT10 24-1AL2 (FOR 380-400-415-440V) | CONTACTOR 3RT10 24-1AL2 (PARA 380-400-415-440V) | CONTACTEUR 3RT10 24-1AL2 (POUR 380-400-415-440V) |
| | 321240 | COIL 3RT1924-5AL21 230-50/60 | BOBINA 3RT1924-5AL21 230-50/60 | BOBINE 3RT1924-5AL21 230-50/60 |
| | 320853 | CONTACTOR 3RT10 34-1AL2 (FOR 200-208-220-230-240V) | CONTACTOR 3RT10 34-1AL2 (PARA 200-208-220-230-240V) | CONTACTEUR 3RT10 34-1AL2 (POUR 200-208-220-230-240V) |
| | 321257 | COIL 3RT1934-5AL21 230-50/60 | BOBINA 3RT1934-5AL21 230-50/60 | BOBINE 3RT1934-5AL21 230-50/60 |
| 3 | 306431 | FUSE HOLDER 32A 10X38 | PORTAFUSIBLES 32A 10X38 1P | PORTE-FUSIBLE 32A 10X38 |
| 4 | 321042 | FUSIBLE GC 10X38 6A K215128 (FOR 380-400-415-440V) | FUSIBLE GG 10X38 6A K215128 (PARA 380-400-415-440V) | FUSIBLE GC 10X38 6A K215128 (POUR 380-400-415-440V) |
| | 307181 | FUSE GG 10X38 10A (FOR 200-208-220-230-240V) | FUSIBLE GG 10X38 10A S218194 (PARA 200-208-220-230-240V) | FUSIBLE GG 10X38 10A (POUR 200-208-220-230-240V) |
| 5 | 320887 | PAQUET.SWITCH 3LD2 203-0TK53 (FOR 380-400-415-440V) | INTERRUP.PAQUET.3LD2 203-0TK53 (PARA 380-400-415-440V) | INTERRUP.PAQUET.3LD2 203-0TK53 (POUR 380-400-415-440V) |
| | 320861 | PAQUET.SWITCH.3LD2 504-0TK53 (FOR 200-208-220-230-240V) | INTERRUP.PAQUET.3LD2 504-0TK53 (PARA 200-208-220-230-240V) | INTERRUP-PAQUET.3LD2 504-0TK53 (POUR 200-208-220-230-240V) |
| 6 | 320895 | TERMINAL PE 3LD9220-2B (FOR 380-400-415-440V) | BORNE PE 3LD9220-2B (PARA 380-400-415-440V) | BORNE PE 3LD9220-2B (POUR 380-400-415-440V) |
| | 320903 | TERMINAL PE 3L9250-2B (FOR 200-208-220-230-240V) | BORNE PE 3LD9250-2B (PARA 200-208-220-230-240V) | BORNE PE 3LD9250-2B (POUR 200-208-220-230-240V) |
| 9 | 140418 | CLAMP UNEX REF 1201 | BRIDA UNEX 1201 | BRIDE UNEX REF 1201 |
| 10 | 146084 | BICR CYL SCREW DIN84 M 4X 10 | TOR.CIL.DIN84-4.8 BICR.M 4X10 | VIS CYL BICR DIN84-4.8 M 4X 10 |
| 11 | 149476 | BICR.WASHER B DIN125-ST 4,3 | ARAN.B DIN125-ST BICR. 4,3 | RONDELLE B DIN125-ST BICR.4,3 |
| 12 | 140525 | CLAMP 2244-0 | BRIDA UNEX 2244-0 | BRIDE 2244-0 |



| Nº | REF. | DENOMINATION | DENOMINACIÓN | DÉNOMINATION |
|----|--------|---|---|---|
| | | STEAM HEATING KITS | KITS CALEFACCIÓN VAPOR | KITS CHAUFFAGE VAPEUR |
| | 796128 | STEAM HEATING KIT 50HZ | KIT CAL.VAPOR 50HZ. | KIT CHAUFFAGE VAPEUR 50HZ |
| | 796136 | STEAM HEATING KIT 60HZ | KIT CAL.VAPOR 60HZ. | KIT CHAUFFAGE VAPEUR 60HZ |
| 1 | 214916 | STEAM DISTRIBUTOR | DISTRIBUIDOR VAPOR | DISTRIBUTEUR VAPEUR |
| 2 | 109777 | COPPER GASKET 1/2" | 12504 JUNTA COBRE 1/2" | JOINT CUIVRE 1,2" |
| 3 | 217745 | STEAM INLET RACCORD | RACOR ENTRADA VAPOR | RACCORD ENTREE VAPEUR |
| 4 | 175018 | STEAM INLET JOINTING | UNION ENTRADA VAPOR | UNION ENTREE VAPEUR |
| 5 | 319558 | ELECTROVALVE 032U3005/84 1/2" (FOR 50HZ) (COIL INCLUDED) | ELECT.032U3005/84 1/2" 220/50 (PARA 50 HZ) (INCLUYE BOBINA) | ELECTROVANNE 032U3005/84 1/2" (POUR 50 HZ) (COMPRIS BOBINE) |
| | 159806 | COIL 32K7771 220/50 (FOR 50HZ) | BOBINA DANFOSS 32K7771 220/50 (PARA 50 HZ) | BOBINE 32K7771 220/50 (POUR 50 HZ) |
| | 318063 | SPARE KIT EVSIS 15 032U3172 | KIT REPUES.EVSIS 15 032U3172 | KIT RECHANGE EVSIS 15 032U3172 |
| | 318030 | VALVE BODY EVSIS 15 032U3095 (FOR 60HZ) (COIL NOT INCLUDED) | CUERPO VAL.EVSIS 15 032U3095 (PARA 60 HZ) (NO INCLUYE BOBINA) | CORPS VANNE EVSIS 15 032U3095 (POUR 60 HZ) (NON COMPRIS BOBINE) |
| | 405415 | COIL 240V 60HZ (FOR 60HZ) | BOBINA 240V.60HZ. (PARA 60 HZ) | BOBINE 240V 60HZ (POUR 60 HZ) |
| | 318063 | SPARE KIT EVSIS 15 032U3172 | KIT REPUES.EVSIS 15 032U3172 | KIT RECHANGE EVSIS 15 032U3172 |
| 6 | 129999 | FIG 531 1/2" GALV | FIGURA 531 DE 1/2" GALV. | FIG 531 1/2" GALV |
| 7 | 277335 | STEAM INLET BRACKET | SOPORTE ENTRADA VAPOR | SUPPORT ENTREE VAPEUR |
| 8 | 133728 | THREADED FILTER 1/2" 0'3 PN16 | FILTRO COLAD. ROSC.1/2"0'3PN16 | FILTRE FILETE 1/2" 0,3 PN16 |
| 9 | 166652 | BIC.HEX SCREW DIN933-8.8 M8X15 | TOR.EX.DIN933-8.8 BICR.M 8X 15 | VIS HEX DIN933-8.8 BICR. M8X15 |
| 10 | 149518 | BICR.WASHER B DIN125-ST 8,4 | ARAN.B DIN125-ST BICR. 8,4 | RONDELLE.B DIN125-ST BICR.8,4 |
| 11 | 140319 | REDUCER PG 13'5-9 | REDUCTOR 130904 PG 13'5-9 | REDUCTEUR PG 13'5-9 |
| 12 | 140152 | RACCORD PG- 9 | RACOR PG- 9 REF.330904 | RACCORD PG- 9 |
| 14 | 140228 | COUNTERNUT PG-9 | TUERCA PG 280904 PG- 9 | CONTREECROU PG-9 |
| 15 | 140707 | HOSE HELIPLAST NO 9 REF.77009 (1 METER) | TUBO HELIPLAST NO. 9 REF.77009 (1 METRO) | TUBE HELIPLAST NO 9 REF.77009 (1 METRE) |
| 16 | 140525 | CLAMP 2244-0 | BRIDA UNEX 2244-0 | BRIDE 2244-0 |