

NOTES TO USE PARTS LIST

ACLARACIONES PARA EL USO DEL DESPIECE

NOTES UTILISATION VUES ECLATEES

Sheets no. 1, 2, 3, 4, 5, 6, 7, 8, 9 & 10:

Are common for all versions.

Las hojas nº1, 2, 3, 4, 5, 6, 7, 8, 9 y 10:

Son comunes a todas las variantes.

Les feuilles no.1, 2, 3, 4, 5, 6, 7, 8, 9 et 10:

Sont communes à toutes les versions.

Sheet no. 11:

The top just refers to machines with third water inlet.

La hoja nº 11:

La parte superior es sólo para las máquinas con tercera entrada de agua.

La feuille no. 11:

La partie supérieure est seulement pour les machines à troisième arrivée d'eau.

Sheet no. 12:

Relates to steam heated machines.

La hoja nº 12:

Corresponde a las máquinas con calefacción a vapor.

La feuille no. 12:

Correspond aux machines à chauffage à vapeur.

Sheet no. 13:

Relates to "TILT" system machines only.

La hoja nº 13:

Es sólo para las máquinas con sistema "VOLQUETE"

La feuille no. 13:

Est seulement pour machines avec système "BASCULANT"

Sheet no. 14:

Relates to machines equipped with second drain.

La hoja nº 14:

Corresponde a las máquinas con segundo desagüe.

La feuille no. 14:

Correspond à machines avec deuxième vidange.

VERY IMPORTANT:
Before ordering parts be sure they have not been modified. Check it on modification sheet, after the corresponding sheet.

MUY IMPORTANTE:
Al pedir una pieza cerciorarse antes de que la misma no ha sido modificada. Si lo hubiese sido, estaria situada como hoja de modificaciones, detrás de la hoja correspondiente.

TRES IMPORTANT:
Avant de commander une pièce, s'assurer qu'elle n'a pas été modifiée. Le verifier sur feuille de modifications, derrière la feuille correspondante.

From
A partir
A partir

870001

To
Hasta
Jusqu'à

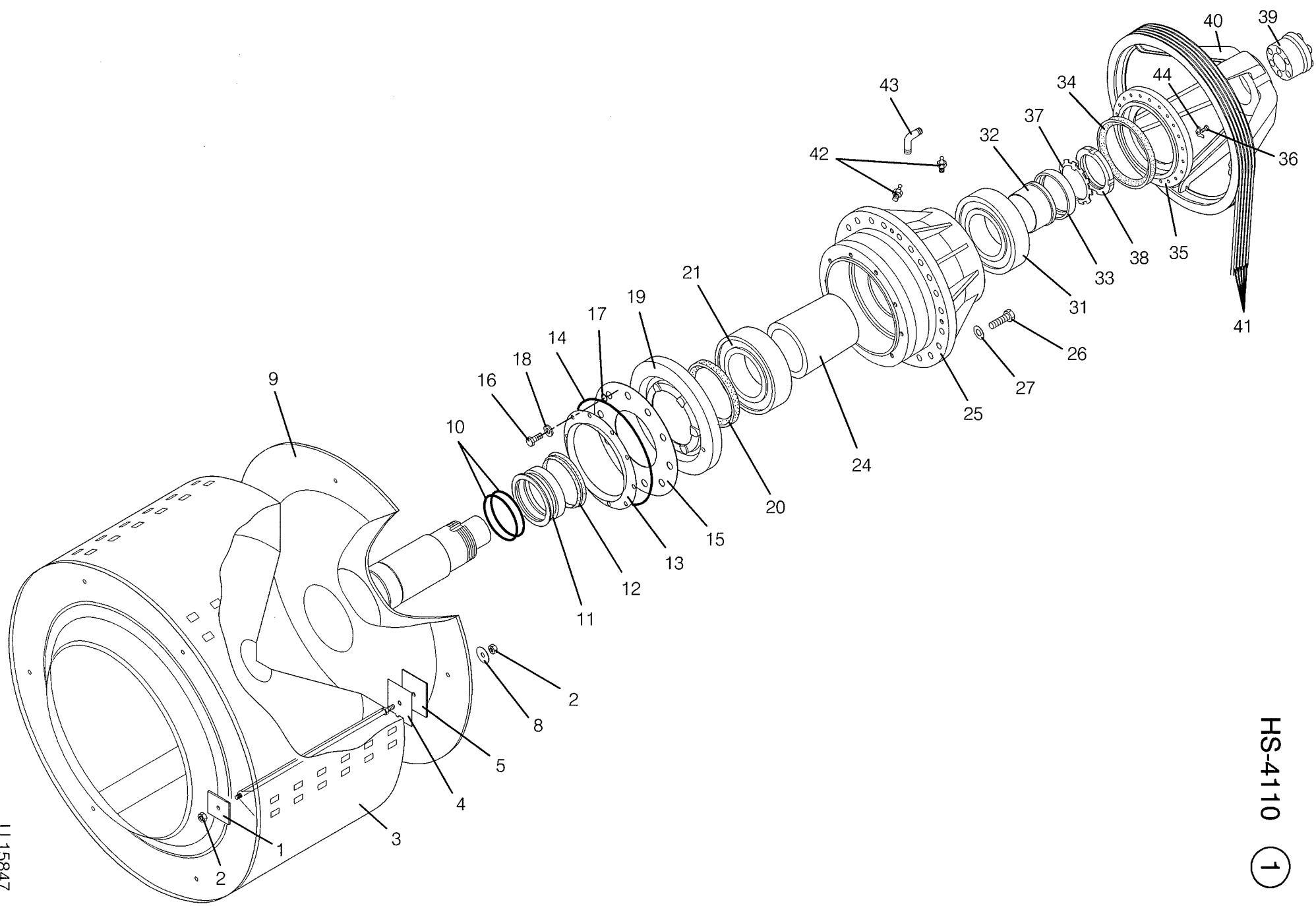
.....

HS-4110

Cod. n° 411702 B

Rev. n° 00/0906

U.15847



HS-4110

1

N°	REF.	DENOMINATION	DENOMINACIÓN	DÉNOMINATION
1	290908	BASKET SHOVEL RENFORT	REFUERZO PALA TAMBOR	REFORT PALETTE TAMBOUR
2	291013	BASKET NUT	TUERCA TAMBOR	ECROU TAMBOUR
3	290825 *	BASKET BODY	CUERPO TAMBOR	CORPS TAMBOUR
4	290916	BASKET CENTERING PIECE	PIEZA CENTRADO TAMBOR	PIECE CENTRAGE TAMBOUR
5	290924	BASKET CENTERING PIECE	PIEZA CENTRADO TAMBOR	PIECE CENTRAGE TAMBOUR
8	290932	BASKET COUPLING WASHER	ARANDELA PLATO TAMBOR	RONDELLE PLAT TAMBOUR
9	290817	BASKET COUPLING	ACOPLAMIENTO TAMBOR	ASSAMBLAGE TAMBOUR
10	185579	TORIC GASKET 189X203,85X6,99	JUNTA TORICAL189,90X203,88X6,99	JOINT TORIQUE 189X203,85X6,99
11	317644	SEAL RING	ANILLO RETENES	BAGUE RESERVES
12	317651	RING V-RING V-250 A VITON	ANILLO V-RING V-250 A VITON	BAGUE V-RING V-250 A VITON
13	255703	V-RING PROTECTION	PROTECCION V-RING	PROTECTION V-RING
14	185561	TORIC GASKET EPIDOR OR-420X10	JUNTA TORICA EPIDOR OR-420X10	JOINT TORIQUE EPIDOR OR-420X10
15	405373	SEAL COVER	TAPA RETEN	COUVERCLE RESERVE
16	185629	INOX HEX SCREW DIN933 M10X80	TOR.EX.DIN933INOX A2-70 M10X80	VIX HEX INOX DIN933 M10X80
17	147991	TORIC GASKET 10X23X6,5	JUNTA TORICA 10X23X6,5	JOINT TORIQUE 10X23X6,5
18	254144	WASHER D35XD10X6	ARANDELA 35X10,25X6	RONDELLE D35XD10X6
19	255646	FRONT SEAL COVER	TAPA RETEN ANTERIOR	COUVERCLE RESERVE AVANT
20	185587	SEAL 230X260X15 BA-SL	RETEN 230X260X15 BA	RESERVE 230X260X15 BA-SL
21	185504	BEARING NU-2238E	RODAMIENTO NU 2238 ECMA	ROULEMENT NU-2238E
24	255604	BEARING END PIECE	TOPE COJINETES	ARRET ROULEMENTS
25	266981	BEARING BOX	CAJA COJINETES	BOITE ROULEMENTS
26	147082	HEX SCREW 8G DIN933 M16X60	TOR.EX.DIN933-8.8 B.TRI.M16X60	VIS HEX. 8G DIN933 M16X60
27	149385	BICR.WASHER B DIN125-ST 17	ARAN.B DIN125-ST B.TRI.17	RONDELLE B DIN125-ST BICR.17
31	185512	BEARING 23036CCK/W33	RODAMIENTO 23036 CCK/W33	ROULEMENT 23036CCK/W33
32	185520	DISASSEMBLY SLEEVE AH-3036	MANGUITO DESMONTAJE AH-3036	MANCHON DEMONTAGE AH-3036
33	185256	SEAL RING	ANILLO RETEN	BAGUE RESERVE
34	185595	SEAL 220X250X15 BA	RETEN 220X250X15 BA	RESERVE 220X250X15 BA
35	263541	REAL SEAL COVER	TAPA RETEN POSTERIOR	COUVERCLE RESERVE ARRIERE
36	195743	HEX SCREW DIN933-8.8 M 6X 40	TOR.EX.DIN933-8.8 B.TRI.M 6X40	VIS HEX. DIN933-8,8 M 6X 40
37	185397	LOCKING WASHER MB-34	ARANDELA CIERRE MB-34	RONDELLE FERMETURE MB-34

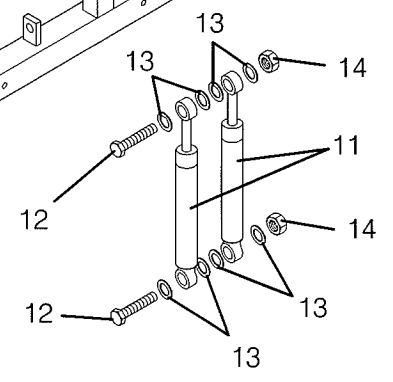
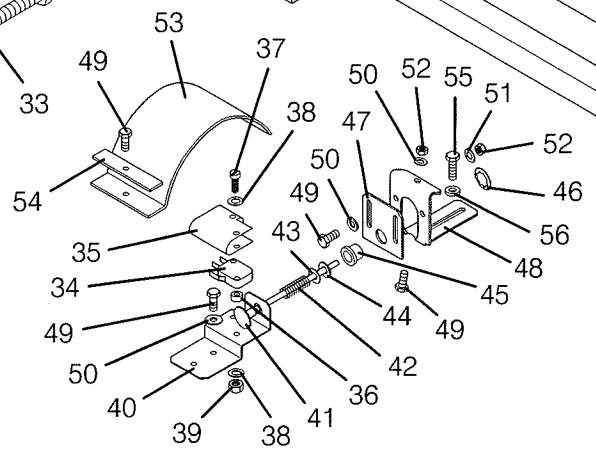
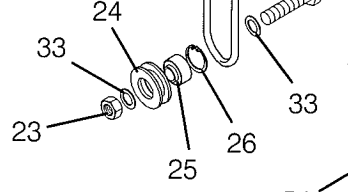
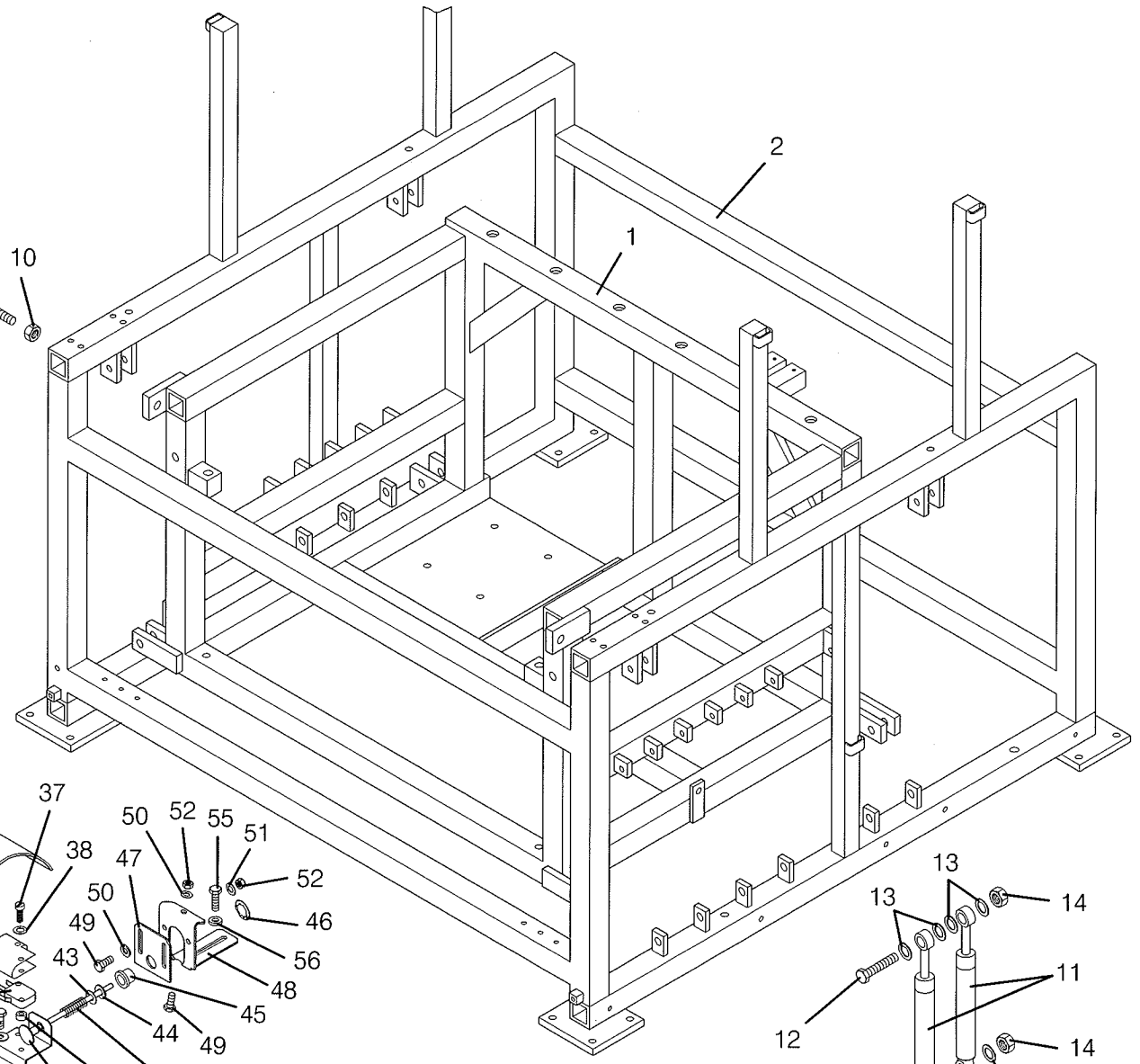
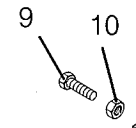
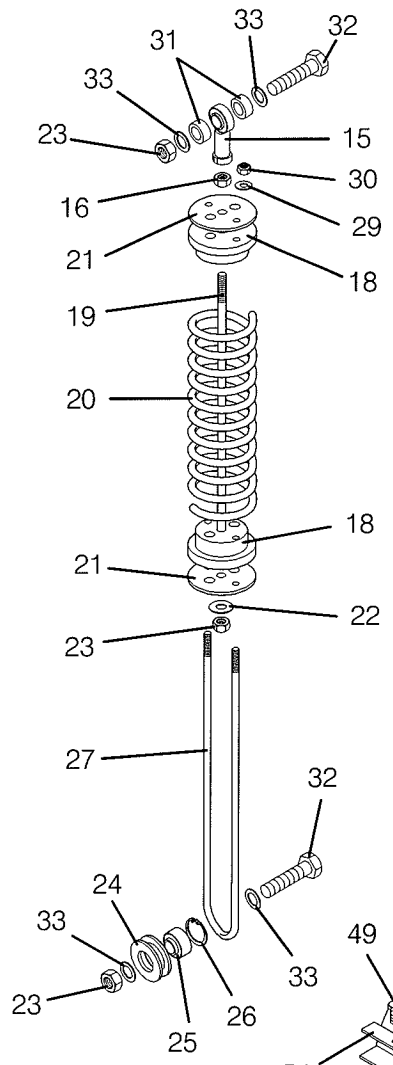
N°	REF.	DENOMINATION	DENOMINACIÓN	DÉNOMINATION
38	185546	FIXING NUT KM-34	TUERCA FIJACION KM-34 FAG	ECROU FIXATION KM-34
39	185538	SELFCENT.FIX. UNIT 5B 100X145	UNIDAD FIJ.AUTOCENT.5B 100X145	UNITE FIX.SELFCENT.5B 100X145
40	255588	BASKET PULLEY	POLEA TAMBOR	POULIE TAMBOUR
41	327254	TRAPECIAL BELT SPA-3350	CORREA TRAPECIAL SPA-3350	COURROIE TRAPECIAL SPA-3350
42	177378	PRES.GREASE-CUP1/4"STRAIGHTGAS	ENGRASADOR PRES.1/4"GAS RECTO	GRAISEUR PRES.1/4"GAZ DROIT
43	122531	HOSE ELBOW 5/8" RE. 46610	CODO MANGUERA 5/8"REF.46610	COUDE TUYAU 5/8" RE. 46610
44	195735	SAFETY WASHER 6,4 DIN 463	ARANDELA SEGURIDAD 6,4 DIN 463	RONDELLE SECURITE 6,4 DIN 463

* 252007 COMPLETE BASKET (WITH SHAFT)

TAMBOR COMPLETO (CON EJE)

TAMBOUR COMPLET (AVEC AXE)

N°	REF.	DENOMINATION	DENOMINACIÓN	DÉNOMINATION
		FROM MACHINE N° 870.131	A PARTIR DE LA MÁQUINA N° 870.131	A PARTIR DE LA MACHINE N° 870.131
11	420869	SEAL RING	ANILLO RETENES	BAGUE RESERVES
15	420877	SEAL LID	TAPA RETEN	COUVERCLE RESERVES



U.15848

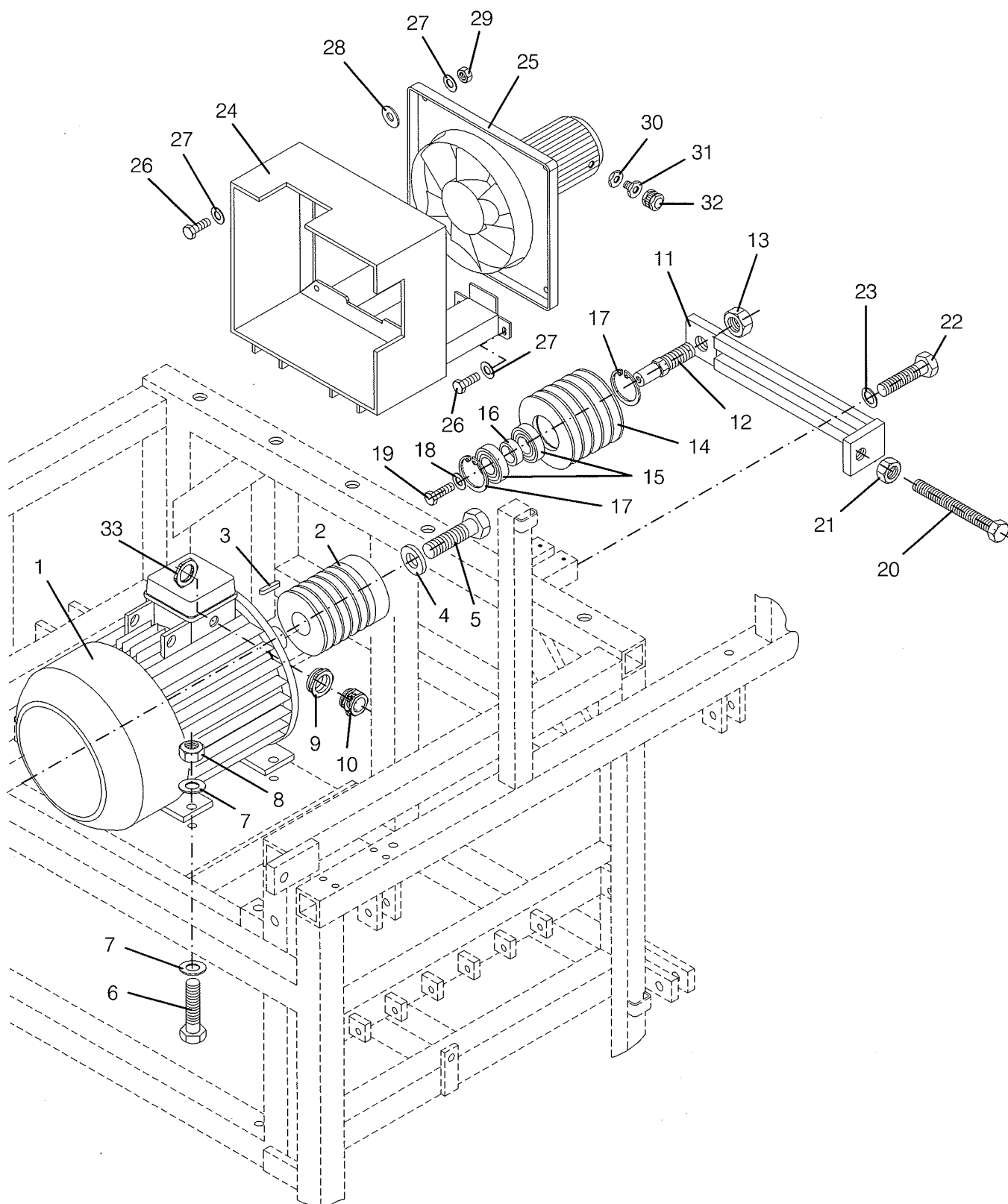
N°	REF.	DENOMINATION	DENOMINACIÓN	DÉNOMINATION
1	409110	SUSPENDED CHASSIS	CHASIS FLOTANTE	CHASSIS SUSPENDU
2	293068	FIXED CHASSIS	CHASIS FIJO	CHASSIS FIXE
9	147082	HEX SCREW 8G DIN933 M16X60	TOR.EX.DIN933-8.8 B.TRI.M16X60	VIS HEX. 8G DIN933 M16X60
10	150276	BICR HEX.NUT DIN934-8 M-16	TUER.EX.DIN934-8 B.TRI.M16	ECROU HEX.DIN934-8 BICR M-16
11	175091	FRICITION SHOCK-ABSORBER	AMORT.FRICC.154020011336 180N	AMORTISSEUR FRICTION
12	191858	HEX. SCREW 8G DIN931 M10X90	TOR.EX.DIN931-8.8 B.TRI.M10X90	VIS HEX. 8G DIN931 M10X90
13	149500	BICR.WASHER B DIN125-ST 10,5	ARAN.B DIN125-ST B.TRI.10,5	RONDELLE B DIN125-ST BICR.10,5
14	150649	SELFBLOCKING NUT DIN 985 M-10	TUER.AUTOB.DIN985-8 B.TRI.M10	ECROU AUTOBLOCANT DIN 985 M-10
15	174870	HINGE JOINT HEAD TYPE GIR 17UK	CABEZA DE ROTULA TIPO GIR 17UK	TETE DE ROTULE TYPE GIR 17UK
16	150276	BICR HEX.NUT DIN934-8 M-16	TUER.EX.DIN934-8 B.TRI.M16	ECROU HEX.DIN934-8 BICR M-16
18	278440	SUSPENSION CLAMP	BRIDA SUSPENSION	BRIDE SUSPENSION
19	278457	SUSPENSION BAR	VARILLA SUSPENSION	BAGUETTE SUSPENSION
20	300350 *	SUSPENSION SPRING	MUELLE SUSPENSION	RESSORT SUSPENSION
21	278473	CLAMP SUPPLEMENT	SUPLEMENTO BRIDA	SUPPLEMENT BRIDE
22	255992	WASHER 36X17X5	ARANDELA 36X17X6	RONDELLE 36X17X5
23	173260	SELF-BLOCKING NUT DIN 985 M-16	TUER.AUTOBL.DIN985-8B.TRI.M16	ECROU AUTOBLOCANT DIN 985 M-16
24	206565	SUSPENSION SLEEVE	CASQUILLO SUSPENSION	FRETTE SUSPENSION
25	185728	RADIAL HINGE JOINT TYPE GE	ROTULA RADIAL TIPO GE 17UK	ROTULE RADIAL TYPE GE 17UK
26	185736	RING SEEGER-V JV-30	ANILLO SEEGER-V JV-30	BAGUE SEEGER-V JV-30
27	278465	SUSPENSION PIECE	HORQUILLA SUSPENSION	PIECE SUSPENSION
29	278861	WASHER 26X12,5X6	ARANDELA 26X12,5X6	RONDELLE 26X12,5X6
30	150656	SELFBLOCKING NUT DIN985 M-12	TUER.AUTOB.DIN985-8 B.TRI.M12	ECROU AUTOBLOCANT DIN985 M-12
31	238055	HINGE JOINT SEPARATOR	SEPARADOR ROTULA	SEPARATEUR ROTULE
32	175729	HEX SCREW 8G DIN 931 M-16X100	TOR.EX.DIN931-8.8B.TRI.M16X100	VIS HEX 8G DIN 931 M-16X100
33	149385	BICR.WASHER B DIN125-ST 17	ARAN.B DIN125-ST B.TRI.17	RONDELLE B DIN125-ST BICR.17
34	197046	MINISWITCH 83161.344 I W3	MINIRRUPTOR 83161.344 I W3	MINIRRUPTEUR 83161.344 I W3
35	281113	MICROSWITCH ISOLATION	AISLANTE MICRORRUPTOR	ISOLANT MICRORRUPTEUR
36	175364	PLASTIC SEPARATOR 6MM SP78/10	SEPARADOR PLASTICO 6MM.SP78/10	SEPARATEUR PLASTIQUE 6MM
37	302554	CYL.BICR.SCREW DIN84-4.8 M3X25	TOR.CIL.DIN84-4.8 B.TRI.M 3X25	VIS.CYL DIN84-4.8 BICR M 3X25
38	149484	BICR.WASHER B DIN125-ST 3,2	ARAN.B DIN125-ST B.TRI. 3,2	RONDELLE B.DIN125-ST BICR. 3,2

N°	REF.	DENOMINATION	DENOMINACIÓN	DÉNOMINATION
39	149906	INOX. HEX. NUT DIN 934 M-3	TUER.EX.DIN934 INOX A2-70 M 3	ECROU HEX. INOX DIN934 M-3
40	261784	MICROSWITCH DRIVE BRACKET	SOPORTE ACCIONADOR MICRORRUP.	SUPPORT ACTIONNEMENT MICRORRUP
41	189407	MICROSWITCH DRIVE	ACCIONADOR MICRORRUPTOR	ACCIONNEMENT MICRORRUPTEUR
42	189399	MICROSWITCH DRIVE SPRING	MUELLE ACCIONADOR MICRORRUPTOR	RESSORT ACTIONNEMENT MICRORRUP
43	149534	BICR.WASHER B DIN125-ST 5,3	ARAN.B DIN125-ST B.TRI. 5,3	RONDELLE B BICR.DIN125-ST 5,3
44	147918	QUICK FIXING 211039-6	SUJEC.RAPIDA MIKALOR 211039-6	FIXATION RAPIDE 211039-6
45	278051	MICRO.DRIVE SLEEVE	CASQUILLO ACCIONADOR MICRO	FRETTE ACTIONNEMENT MICRO
46	134924	QUICK FIXING 2110441	SUJEC.RAPIDA MIKALOR 211044-1	FIXATION RAPIDE 2110441
47	278069	MICROSWITH ACTIVATOR END-PIECE	TOPE ACCIONADOR MICRORRUPTOR	ARRET ACCIONNATEUR MICROINT.
48	278093	MICRO ACTIV. END-PIECE BRACKET	SOPORTE TOPE ACCIONADOR MICRO.	SUPPORT ARRET ACCIONNAT.MICRO
49	146266	BICR.HEX SCREW DIN933-8 M-4X15	TOR.EX.DIN933-4.8 B.TRI.M 4X15	VIS HEX BICR.DIN933-8.8 M-4X15
50	219758	WASHER 12X4X1,5	ARANDELA 12X4X1,5	RONDELLE 12X4X1,5
51	149476	BICR.WASHER B DIN125-ST 4,3	ARAN.B DIN125-ST B.TRI. 4,3	RONDELLE B DIN125-ST BICR.4,3
52	132043	SELFBLOCKING NUT DIN985 M 4	TUER.AUTOBL.DIN985-8 B.TRI.M 4	ECROU AUTOBLOCANT DIN985 M 4
53	283192	MICROSWITCH PROTECTION COVER	TAPA PROTECCION MICRORRUPTOR	COUVERCLE PROT. MICRORRUPTEUR
54	283200	MICRO PROTECTION FIXING-PIECE	FIJACION PROTECCION MICRO.	FIXATION PROTECTION MICRO
55	146233	BICR.HEX SCREW DIN933-8 M6X15	TOR.EX.DIN933-8.8 B.TRI.M 6X15	VIS HEX DIN933-8.8 BICR.M6X15
56	115733	WASHER 16X7X3	ARANDELA 16X7X3	RONDELLE 16X7X3

* 278432 SUSPENSION SET (COMPLETE)

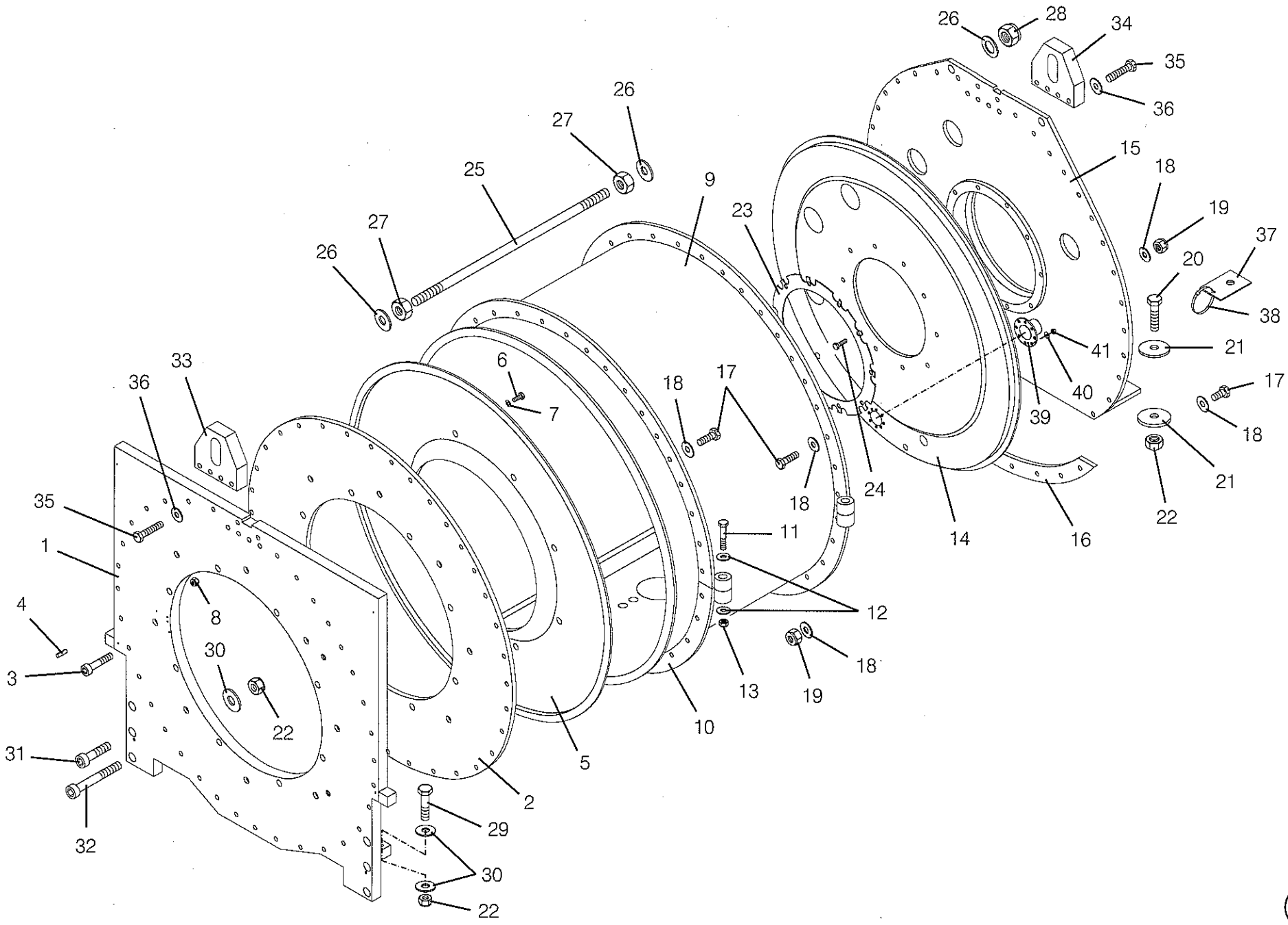
CONJUNTO SUSPENSION (COMPLETO)

ENSEMBLE SUSPENSION (COMPLET)



N°	REF.	DENOMINATION	DENOMINACIÓN	DÉNOMINATION
1	323816	MOTOR M3AA180LB4 200/400 30KW	MOTOR M3AA180LB4 200/400 30KW	MOTEUR M3AA180LB4 200/400 30KW
2	409201	MOTOR PULLEY	POLEA MOTOR	POULIE MOTEUR
3	307637	PIN DIN 6885-A 100X14X9	CHAVETA DIN 6885-A 100X14X9	CLAVETTE DIN 6885-A 100X14X9
4	269126	WASHER 60X17X12	ARANDELA 60X17X12	RONDELLE 60X17X12
5	147066	HEX SCREW 8G DIN933 M16X50	TOR.EX.DIN933-8.8 B.TRI.M16X50	VIS HEX. 8G DIN933 M16X50
6	176172	HEX SCREW 8G DIN 933 M-14X55	TOR.EX.DIN933-8.8 B.TRI.M14X55	VIS HEX. 8G DIN 933 M-14X55
7	149393	BICR WASHER B DIN125-ST 15	ARAN.B DIN125-ST B.TRI.15	RONDELLE B BICR DIN125-ST 15
8	164350	SELFBLOCKING NUT DIN-985 M-14	TUER.AUTOB.DIN985-8 B.TRI.M14	ECROU AUTOBLOCANT DIN985 M-14
9	326876	ADAPTER M-PG 904029 M40-PG29	ADAPTADOR M-PG 904029 M40-PG29	ADAPTEUR M-PG 904029 M40-PG29
10	326462	STUFFING-BOX EXAD CLAMP PG29	PRENSAE.EXAD.BRIDA 82904 PG29	PRESSE-ETOUPE EXAD BRIDE PG29
11	409128	TIGHTENER	TENSOR	TENDEUR
12	409185	TIGHTENER PULLEY SHAFT	MUÑON POLEA TENSOR	AXE POULIE TENDEUR
13	150326	BICR.HEX NUT DIN 934-8 M 24	TUER.EX.DIN934-8 B.TRI.M24	ECROU HEX BICR DIN 934-8 M 24
14	409177	TIGHTENER PULLEY	POLEA TENSORA	POULIE TENDEUSE
15	186841	BEARING 6305-2Z QE6	RODAMIENTO 6305-2Z	ROULEMENT 6305-2Z QE6
16	409193	TIGHTENER BEARING SEPARATOR	SEPARADOR COJINETES TENSOR	SEPARATEUR ROULEMENTS TENDEUR
17	316687	FLEXIBLE RING I-61 DIN472	ANILLO ELASTICO I- 62 DIN 472	BAGUE ELASTIQUE I-62 DIN472
18	115428	WASHER 30X10,5X3	ARANDELA 30X10,5X3	RONDELLE 30X10,5X3
19	146480	BICR.HEX SCREW DIN933-8 M10X20	TOR.EX.DIN933-8.8 B.TRI.M10X20	VIS HEX BICR.DIN933-8 M 10X20
20	409151	TIGHTENER SCREW	TORNILLO TENSOR	VIS TENDEUR
21	150250	BICR HEX.NUT DIN 934-8 M 14	TUER.EX.DIN934-8 B.TRI.M14	ECROU HEX.BICR DIN 934-8 M 14
22	176172	HEX SCREW 8G DIN 933 M-14X55	TOR.EX.DIN933-8.8 B.TRI.M14X55	VIS HEX. 8G DIN 933 M-14X55
23	219071	WASHER 40X15X5	ARANDELA 40X15X5	RONDELLE 40X15X5
24	411314	FAN BOX	CAJA VENTILADOR	BOITE VENTILATEUR
25	326611	FAN HEP-25-4T/H-GIRB	VENTILADOR HEP-25-4T/H-GIRB	VENTILATEUR HEP-25-4T/H-GIRB
26	166652	BIC.HEX SCREW DIN933-8.8 M8X15	TOR.EX.DIN933-8.8 B.TRI.M 8X15	VIS HEX DIN933-8.8 BICR. M8X15
27	149518	BICR.WASHER B DIN125-ST 8,4	ARAN.B DIN125-ST B.TRI. 8,4	RONDELLE.B DIN125-ST BICR.8,4
28	258822	WASHER 19X8.5X4	ARANDELA 19X8,5X4	RONDELLE 19X8.5X4
29	150201	BICR.HEX NUT DIN 934-8 M-8	TUER.EX.DIN934-8 B.TRI.M 8	ECROU HEX.DIN 934-8 BICR.M-8
30	343608	AMPLIFIER 801611 M16-PG11	AMPLIFICADOR 801611 M16-PG11	AMPLIFICATEUR 801611 M16-PG11

N°	REF.	DENOMINATION	DENOMINACIÓN	DÉNOMINATION
31	327882	AMPLIFIER 111604 PG 11-16	AMPLIFICADOR 111604 PG 11-16	AMPLIFICATEUR 111604 PG 11-16
32	140129	STUFFING-BOX PG-16	PRENSAES.NORMADIX 601604 PG-16	PRESSE-ETOUPE PG-16
33	326884	NUT M40	TUERCA M314005 M40	ECROU M40

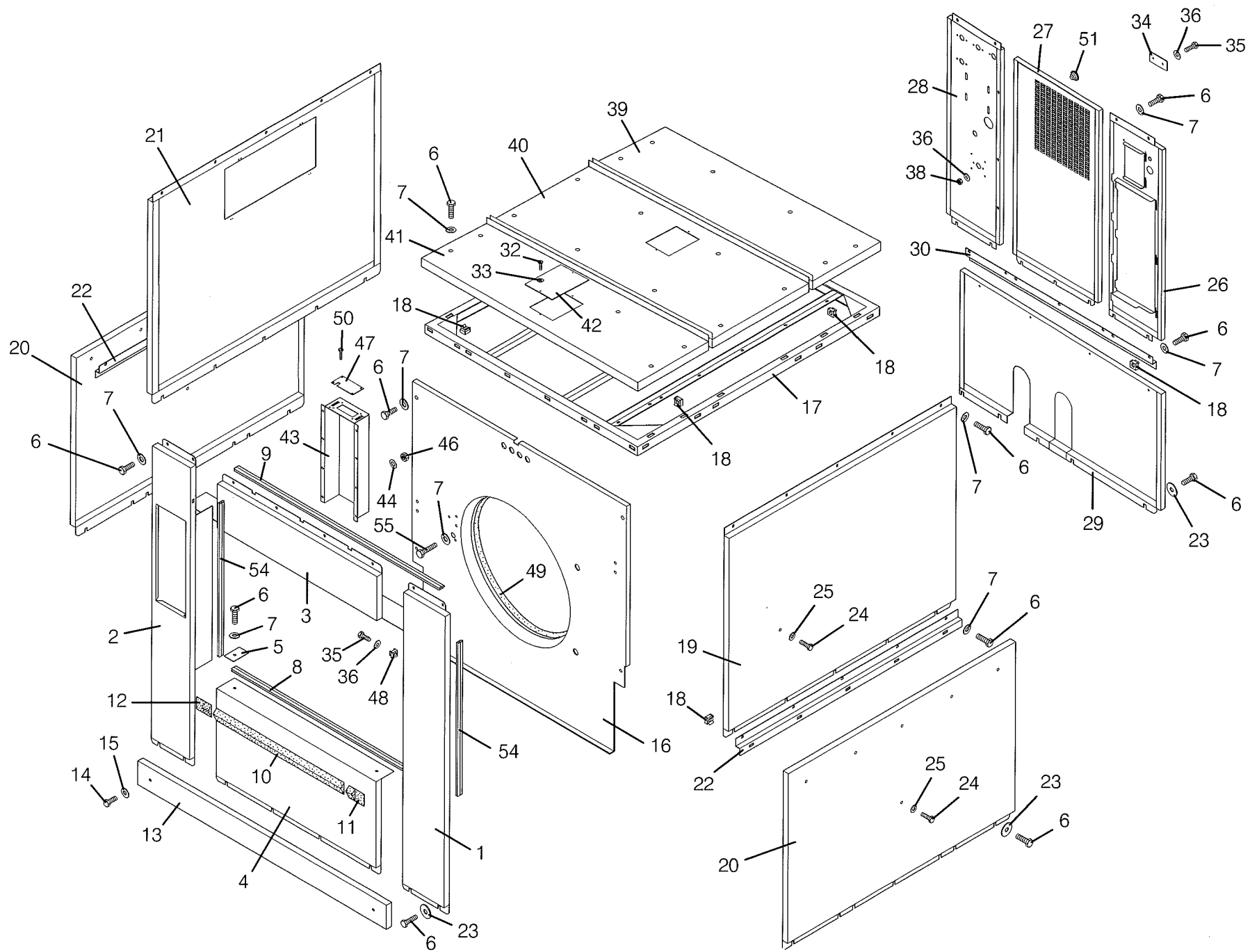


U.15850

N°	REF.	DENOMINATION	DENOMINACIÓN	DÉNOMINATION
1	277301	FRONT PLATE	PLACA FRONTAL	PLAQUE FRONTAL
2	255711	OUTER DRUM FRONT CROWN	CORONA FRONTAL ENVOLVENTE	COURONNE FRONTAL CUVE
3	134981	SCREW ALLEN DIN912 M-16X60	TOR.ALLDIN912-8.8 B.TRI.M16X60	VIS ALLEN DIN912 M-16X60
4	150763	FLEXIBLE PIN DIN1481 D4X10	PASADOR ELASTICO DIN1481 D4X10	GOUJON ELASTIQUE DIN1481 D4X10
5	255638	OUTER DRUM FRONT PANEL	FRONTAL ENVOLVENTE	FRONTAL CUVE
6	145003	INOX HEX SCREW DIN 933 M-10X50	TOR.EX.DIN933INOX A2-70 M10X50	VIS HEX INOX DIN 933 M-10X50
7	175273	USIT GASKET TYPE UA 16X10X1,5	JUNTA USIT TIPO UA 16X10X1,5	JOINT USIT TYPE UA 16X10X1,5
8	150649	SELFBLOCKING NUT DIN 985 M-10	TUER.AUTOB.DIN985-8 B.TRI.M10	ECROU AUTOBLOCANT DIN 985 M-10
9	200238	OUTER DRUM	ENVOLVENTE	CUVE
10	200394	OUTER DRUM FIXING RING	ARO FIJACION ENVOLVENTE	BAGUE FIXATION CUVE
11	175703	HEX SCREW 8G DIN 931 M-14X100	TOR.EX.DIN931-8.8B.TRI.M14X100	VIS HEX 8G DIN 931 M-14X100
12	149393	BICR WASHER B DIN125-ST 15	ARAN.B DIN125-ST B.TRI.15	RONDELLE B BICR DIN125-ST 15
13	164350	SELFBLOCKING NUT DIN-985 M-14	TUER.AUTOB.DIN985-8 B.TRI.M14	ECROU AUTOBLOCANT DIN985 M-14
14	411041	OUTER-DRUM BOTTOM	FONDO ENVOLVENTE	FOND CUVE
15	213231	REAR PLATE	PLACA POSTERIOR	PLAQUE ARRIERE
16	255679	OUTER DRUM SEMI-RING	SEMI-ARO ENVOLVENTE	SEMI-BAGUE CUVE
17	186908	HEX SCREW 8G DIN931 M16X70	TOR.EX.DIN931-8.8 B.TRI.M16X70	VIS HEX 8G DIN931 M16X70
18	255992	WASHER 36X17X5	ARANDELA 36X17X5	RONDELLE 36X17X5
19	173260	SELF-BLOCKING NUT DIN 985 M-16	TUER.AUTOBL.DIN985-8B.TRI.M16	ECROU AUTOBLOCANT DIN 985 M-16
20	186890	HEX SCREW 8G DIN931 M20X170	TOR.EX.DIN931-8.8B.TRI.M20X170	VIS HEX 8G DIN931 M20X170
21	216796	WASHER 70X21X15	ARANDELA 70X21X15	RONDELLE 70X21X15
22	186866	SELF-BLOCKING NUT DIN985 M20	TUER.AUTOBL.DIN985-8B.TRI.M20	ECROU AUTOBLOCANT DIN985 M20
23	255737	SCREW FIXING DISK	DISCO SUJECION TORNILLOS	DISQUE FIXATION VIS
24	144931	INOX HEX SCREW DIN933 M10X20	TOR.EX.DIN933INOX A2-70 M10X20	VIS HEX INOX DIN933 M10X20
25	255695	OUTER DRUM STRETCHER	TIRANTE ENVOLVENTE	TIRANT CUVE
26	149559	BICR WASHER B DIN125-ST 31	ARAN.B DIN125-ST B.TRI.31	RONDELLE B BICR. DIN125-ST 31
27	150334	BICR.NUT DIN934-8 BICR.M 30	TUER.EX.DIN934-8 B.TRI.M30	ECROU HEX DINN934-8 BICR.M 30
28	185637	SELFBLOCKING NUT DIN985 M30	TUER.AUTOBL.DIN985-8B.TRI.M30	ECROU AUTOBLOCANT DIN985 M30
29	147132	HEX SCREW 8G DIN931 M20X130	TOR.EX.DIN931-88 B.TRI.M20X130	VIS HEX 8G DIN931 M20X130
30	149427	BICR WASHER B DIN125-ST 21	ARAN.B DIN125-ST B.TRI.21	RONDELLE B BICR.DIN125-ST 21

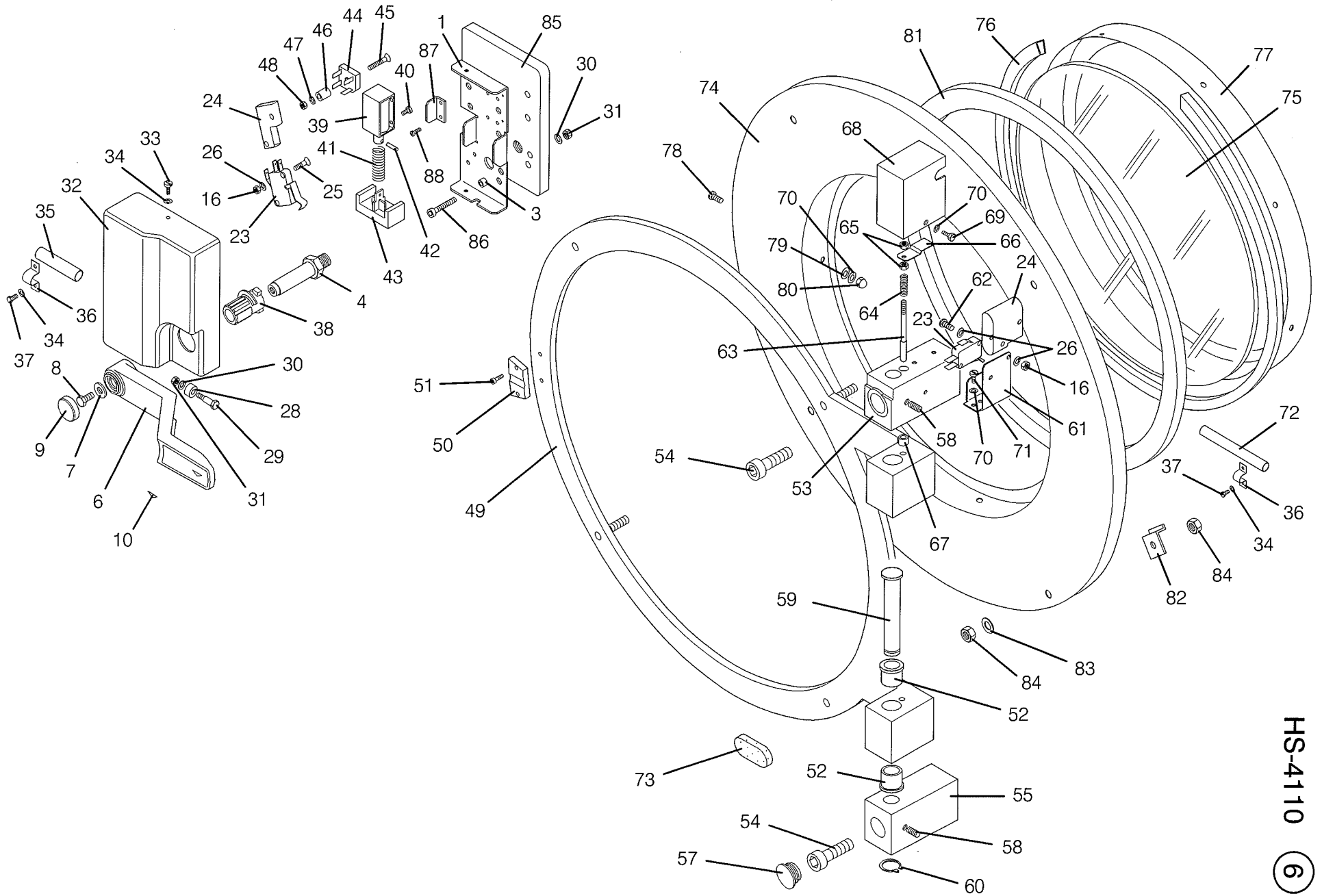
N°	REF.	DENOMINATION	DENOMINACIÓN	DÉNOMINATION
31	175752	ALLEN SCREW DIN 912 M-20X60	TOR.ALLDIN912-8.8 B.TRI.M20X60	VIS ALLEN DIN 912 M-20X60
32	186858	ALLEN SCREW DIN912 M20X130	TOR.ALLDIN912-8.8B.TRI.M20X130	VIS ALLEN DIN912 M20X130
33	255687	LOADING HOOK	GANCHO DE CARGA	CROCHET DE CHARGEMENT
34	263400	LOADING HOOK	GANCHO DE CARGA	CROCHET DE CHARGEMENT
35	188292	HEX SCREW DIN933-8.8 BICR.	TOR.EX.DIN933-8.8 B.TRI.M16X55	VIS HEX DIN933-8.8 BICR.M16X55
36	149385	BICR.WASHER B DIN125-ST 17	ARAN.B DIN125-ST B.TRI.17	RONDELLE B DIN125-ST BICR.17
37	258442	PRESSOSTAT HOSE BRACKET	SOPORTE TUBO PRESOSTATO	SUPPORT TUBE PRESSOSTAT
38	140525	CLAMP 2244-0	BRIDA UNEX 2244-0	BRIDE 2244-0

N°	REF.	DENOMINATION	DENOMINACIÓN	DÉNOMINATION
		FROM MACHINE N° 870.456	A PARTIR DE LA MÁQUINA N° 870.456	A PARTIR DE LA MACHINE N° 870.456
39	433755	STEAM INLET PLATE	PLATINA ENTRADA VAPOR	PLAT ENTREE VAPEUR
40	149351	INOX A2 WASHER DIN 125 8,4	ARAN. DIN125 INOX A2 8,4	RONDELLE INOX A2 DIN 125 8,4
41	149963	INOX HEX NUT DIN 934 M-8	TUER.EX.DIN934 INOX A2-70 M 8	ECROU HEX. INOX DIN 934 M-8



N°	REF.	DENOMINATION	DENOMINACIÓN	DÉNOMINATION
1	277954	RIGHT FRONT PLATE (INOX)	TAPA FRONTAL DERECHA (INOX)	COUVERCLE FRONTAL DROIT (INOX)
	283424	RIGHT FRONT COVER (RED PAINTED)	TAPA FRONTAL DERECHA (PINTADA ROJA)	COUVERCLE FRONTAL DROIT (PEINTE ROUGE)
	283432	RIGHT FRONT COVER (GREY PAINTED)	TAPA FRONTAL DERECHA (PINTADA GRIS)	COUVERCLE FRONTAL DROIT (PEINTE GRIS)
2	277947	LEFT FRONT PLATE (INOX)	TAPA FRONTAL IZQUIERDA (INOX)	COUVERCLE FRONTAL GAUCHE (INOX)
	283465	LEFT FRONT COVER (RED PAINTED)	TAPA FRONTAL IZQUIERDA (PINTADA ROJA)	COUVERCLE FRONTAL GAUCHE (PEINTE ROUGE)
	283473	LEFT FRONT COVER (GREY PAINTED)	TAPA FRONTAL IZQUIERDA (PINTADA GRIS)	COUVERCLE FRONTAL GAUCHE (PEINTE GRIS)
3	282947	UPPER FRONT PANEL (WITHOUT TILTING)	PANEL FRONTAL SUPERIOR (SIN VOLQUETE)	PANNEAU FRONTAL SUPERIEUR (SANS SOCLE BASCULANT)
	282939	UPPER FRONT PANEL (WITH TILTING)	PANEL FRONTAL SUPERIOR (CON VOLQUETE)	PANNEAU FRONTAL SUPERIEUR (AVEC SOCLE BASCULANT)
4	277962	LOWER FRONT PLATE	TAPA FRONTAL INFERIOR	COUVERCLE FRONTAL INFERIEUR
5	277970	LOWER PLATE SUPPLEMENT	SUPLEMENTO TAPA INFERIOR	SUPPLEMENT COUVERCLE INFERIEUR
6	144964	INOX HEX SCREW DIN 933 M-8X15	TOR.EX.DIN933INOX A2-70 M 8X16	VIS HEX INOX DIN 933 M-8X15
7	149351	INOX A2 WASHER DIN 125 8,4	ARAN. DIN125 INOX A2 8,4	RONDELLE INOX A2 DIN 125 8,4
8	278747	LOWER FRONT PROFILE	PERFIL FRONTAL INFERIOR	PROFILE FRONTAL INFERIEUR
9	278739	UPPER FRONT PROFILE	PERFIL FRONTAL SUPERIOR	PROFILE FRONTAL SUPERIEUR
10	206128	PROTECTION PROFILE	PERFIL PROTECCION	PROFILE PROTECTION
11	174581	TERMINAL RE. 4776/V-4 RIGHT	TERMINAL REF.V-4 DERECHA	TERMINAL REF 4776/V-4 DROITE
12	174599	TERMINAL RE 4776/V-4 LEFT	TERMINAL REF.V-4 IZQUIERDA	TERMINAL REF 4776/V-4 GAUCHE
13	259853	TOE PLATE	ZOCALO	SOCLE
14	144907	INOX HEX SCREW DIN 933 M-6X10	TOR.EX.DIN933INOX A2-70 M 6X10	VIS HEX INOX DIN 933 M-6X10
15	149310	INOX.A2 WASHER DIN125 6,4	ARAN. DIN125 INOX A2 6,4	RONDELLE INOX.A2 DIN125 6,4
16	277319	FRONT COVER	TAPA FRONTAL	COUVERCLE FRONTAL
17	221697	UPPER FRAME	BASTIDOR SUPERIOR	BATI SUPERIEUR
18	174532	CAGED NUT M-8 R-310011-6	TUER.ENJ.M8 1,8-3,2 R.310011-6	ECROU ENCAGE M-8 R-310011-6
19	411058	UPPER SIDE COVER	TAPA LATERAL SUPERIOR	COUVERCLE LATERAL SUPERIEUR
20	255851	LOWER SIDE COVER	TAPA LATERAL INFERIOR	COUVERCLE LATERAL INFERIEUR
21	240333	UPPER SIDE COVER	TAPA LATERAL SUPERIOR	COUVERCLE LATERAL SUPERIEUR

N°	REF.	DENOMINATION	DENOMINACIÓN	DÉNOMINATION
22	255950	LOWER COVER PROFILE	PERFIL TAPA INFERIOR	PROFILE COUVERCLE INFERIEUR
23	217133	WASHER 27X10X3	ARANDELA 27X10X3	RONDELLE 27X10X3
24	144907	INOX HEX SCREW DIN 933 M-6X10	TOR.EX.DIN933INOX A2-70 M 6X10	VIS HEX INOX DIN 933 M-6X10
25	149310	INOX.A2 WASHER DIN125 6,4	ARAN. DIN125 INOX A2 6,4	RONDELLE INOX.A2 DIN125 6,4
26	411017	RIGHT REAR COVER	TAPA POSTERIOR DERECHA	COUVERCLE ARRIERE DROIT
27	410878	CENTRAL REAR COVER	TAPA POSTERIOR CENTRAL	COUVERCLE ARRIERE CENTRAL
28	411272	LEFT REAR COVER	TAPA POSTERIOR IZQUIERDA	COUVERCLE ARRIERE GAUCHE
29	411280	LOWER REAR COVER	TAPA POSTERIOR INFERIOR	COUVERCLE ARRIERE INFERIEUR
30	255968	LOWER COVER PROFILE	PERFIL TAPA INFERIOR	PROFILE COUVERCLE INFERIEUR
32	146076	BICR ROUND SCREW DIN84 M 4X 8	TOR.CIL.DIN84-4.8 B.TRI.M 4X 8	VIS ROND BICR DIN84-4.8 M 4X 8
33	149476	BICR.WASHER B DIN125-ST 4,3	ARAN.B DIN125-ST B.TRI. 4,3	RONDELLE B DIN125-ST BICR.4,3
34	122713	WATER INLET COVER (FOR MACHINES WITHOUT STEAM)	TAPA ENTRADA AGUA (PARA MODELOS SIN VAPOR)	COUVERCLE ENTREE EAU (POUR MACHINES SANS VAPEUR)
35	146233	BICR.HEX SCREW DIN933-8 M6X15	TOR.EX.DIN933-8.8 B.TRI.M 6X15	VIS HEX DIN933-8.8 BICR.M6X15
36	149526	BICR.WASHER B DIN125-ST 6,4	ARAN.B DIN125-ST B.TRI. 6,4	RONDELLE B DIN125-ST BICR.6,4
38	150227	BICR HEX NUT DIN934-8 M6	TUER.EX.DIN934-8 B.TRI.M 6	ECROU HEX DIN934-8 BICR.M6
39	282640	REAR UPPER PLATE	TAPA SUPERIOR POSTERIOR	COUVERCLE SUPERIEUR ARRIERE
40	282632	CENTRAL UPPER PLATE	TAPA SUPERIOR CENTRAL	COUVERCLE SUPERIEUR CENTRAL
41	282624	FRONT UPPER PLATE	TAPA SUPERIOR ANTERIOR	COUVERCLE SUPERIEUR FRONTAL
42	268284	LOADING HOOK COVER	TAPA GANCHOS CARGA	COUVERCLE CROCHET CHARGEMENT
43	411330	CONTROL PANEL BOX	CAJA PANEL DE MANDOS	BOITE TABLEAU DE COMMANDES
44	149369	INOX A2 WASHER DIN 125 5,3	ARAN. DIN125 INOX A2 5,3	RONDELLE INOX A2 DIN 125 5,3
46	149914	INOX HEX. NUT DIN 934 M-5	TUER.EX.DIN934 INOX A2-70 M 5	ECROU HEX. INOX DIN 934 M-5
47	283564	PANEL BOX COVER	TAPA CAJA PANEL	COUVERCLE BOITE TABLEAU
48	165019	CAGED NUT M-6 0,5-1,5	TUER.ENJ.M6 0,5-1,5 R.310007-9	ECROU PRESIONER M-6 0,5-1,5
49	165472	ETHILENE-PROP. PROFILE (1 METER)	PERFIL ETILENO-PROP.REF.44117L (1 METRO)	PROFILE ETHILENE-PROP. (1 METRE)
50	144832	INOX.HEX.SCREW DIN 933 M-4X10	TOR.EX.DIN933INOX A2-70 M 4X10	VIS HEX INOX. DIN 933 M-4X10
51	139683	CONE ECPC-6	CONO HIMEL ECPC-6	CONE ECPC-6
54	278721	LEFT & RIGHT FRONT PROFILE	PERFIL FRONTAL DER.E IZQU.	PROFILE FRONTAL DROIT/GAUCHE
55	145342	SCREW DIN 85 M8X20	TOR.ALOM.INOX DIN 85 M 8X20	VIS DIN 85 M8X20



U.15852

HS-4110

6

N°	REF.	DENOMINATION	DENOMINACIÓN	DÉNOMINATION
1	276469	SAFETY LOCK BRACKET	SOPORTE CIERRE SEGURIDAD	SUPPORT FERMETURE DE SECURITE
3	276527	LOCK END-PIECE	TOPE CIERRE	ARRET FERMETURE
4	276485	LOCK SHAFT	EJE CIERRE	AXE FERMETURE
6	199257	KNOB	EMPUÑADURA	POIGNEE
7	115733	WASHER 16X7X3	ARANDELA 16X7X3	RONDELLE 16X7X3
8	165621	BIC HEX SCREW DIN933-8,8 M6X10	TOR.EX.DIN933-8.8 B.TRI.M 6X10	VIS HEX DIN933-8,8 BICR M6X10
9	189993	KNOB STOPPER	TAPON EMPUÑADURA	BOUCHON POIGNEE
10	193599	KNOB PLATE	PLACA EMPUÑADURA	PLAQUE POIGNEE
16	149906	INOX. HEX. NUT DIN 934 M-3	TUER.EX.DIN934 INOX A2-70 M 3	ECROU HEX. INOX DIN934 M-3
23	279760	MICROSWITCH	MINIRRUPTOR	MICRORRUPTEUR
24	281113	MICROSWITCH ISOLATION	AISLANTE MICRORRUPTOR	ISOLANT MICRORRUPTEUR
25	303131	BICR.SCREW DIN963-4.8 M 3X 20	TOR.AV.DIN963-4.8B.TRI. M 3X20	VIS.T/FRAIS DIN963-4.8 B.M3X20
26	149484	BICR.WASHER B DIN125-ST 3,2	ARAN.B DIN125-ST B.TRI. 3,2	RONDELLE B.DIN125-ST BICR. 3,2
28	276519	KNOB ROLL	RODILLO EMPUÑADURA	ROULEAU POIGNEE
29	276477	KNOB BOLT	BULON EMPUÑADURA	BOULON POIGNEE
30	149526	BICR.WASHER B DIN125-ST 6,4	ARAN.B DIN125-ST B.TRI. 6,4	RONDELLE B DIN125-ST BICR.6,4
31	176834	SELFBLOCKING NUT DIN985 M-6	TUER.AUTOBL.DIN985-8 B.TRI.M6	ECROU AUTOBLOCANT DIN985 M-6
32	199307	SAFETY LOCK BOX	CAJA CIERRE SEGURIDAD	BOITE FERMETURE SECURITE
33	300632	INOX A2-70 SCREW DIN85 M5X 8	TOR.PLA.DIN85 INOX A2-70 M5X 8	VIS DIN85 INOX A2-70 M5X 8
34	149369	INOX A2 WASHER DIN 125 5,3	ARAN. DIN125 INOX A2 5,3	RONDELLE INOX A2 DIN 125 5,3
35	276899	WIRE PROTECTION HOSE	TUBO PROTECCION CABLES	TUBE PROTECTION CABLES
36	276824	WIRE PROTECTION CLAMP	BRIDA PROTECCION CABLES	BRIDE PROTECTION CABLES
37	144774	INOX HEX SCREW DIN 933 M-5X10	TOR.EX.DIN933INOX A2-70 M 5X10	VIS HEX INOX DIN 933 M-5X10
38	283689	LOCK KNOB JOINTING	UNION EMPUÑADURA CIERRE	UNION POIGNEE FERMETURE
39	283697	SAFETY LOCK COIL	BOBINA CIERRE SEGURIDAD	BOBINE FERMETURE SECURITE
40	147561	SCREW DIN963-4.8 M 3X 7	TOR.AV.DIN963-4.8 B.TRI.M 3X 7	VIS DIN963-4.8 BICR M 3X 7
41	300665	COIL SPRING	MUELLE BOBINA	RESSORT BOBINE
42	150698	FLEXIBLE PIN DIN1481 D3X10	PASADOR ELASTICO DIN1481 D3X10	GOUJON ELASTIQUE DIN1481 D3X10
43	276402	SLIDING BLOCKER	BLOQUEADOR DESLIZANTE	BLOQUEUR COULISSANT
44	175224	RECTIFIER BRIDGE FB1010	PUENTE RECTIFIC.FAGOR FB1010	PONT RECTIFIEUR FB1010

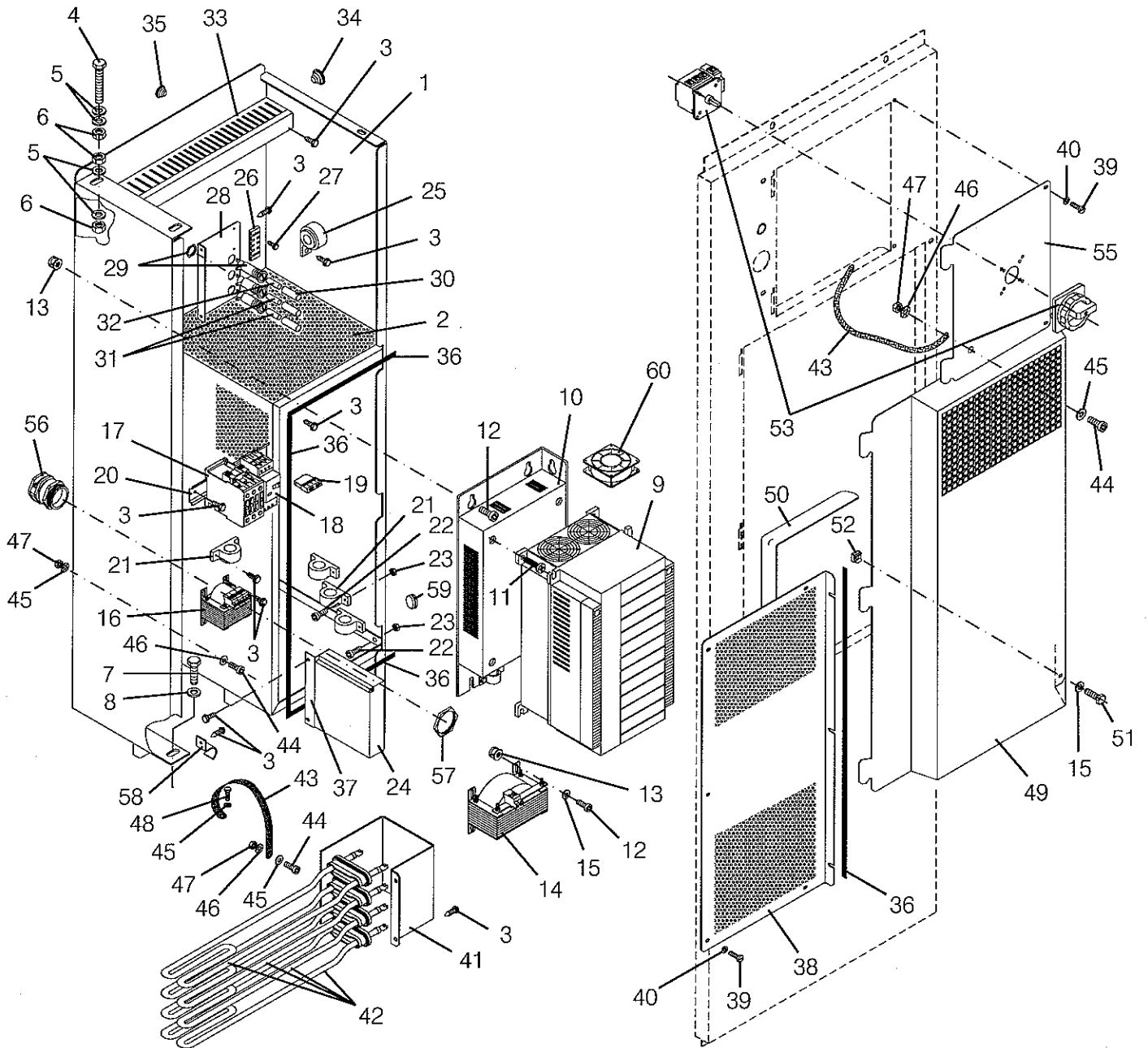
N°	REF.	DENOMINATION	DENOMINACIÓN	DÉNOMINATION
45	199240	BICR.SCREW DIN963-4.8 M4X30	TOR.AV.DIN963-4.8 B.TRI M 4X30	VIS T/FRAIS.DIN963-4 BIC.M4X30
46	300467	CYLINDER SEPARATOR SS10-4 CPVC	SEPARADOR CILINDR.SS10-4 CPVC	SEPARATEUR CYLINDR.SS10-4 CPVC
47	149476	BICR.WASHER B DIN125-ST 4,3	ARAN.B DIN125-ST B.TRI. 4,3	RONDELLE B DIN125-ST BICR.4,3
48	150185	BICR.HEX.NUT DIN934-8 M4	TUER.EX.DIN934-8 B.TRI.M 4	ECROU HEX.DIN934-8 BICR.M4
49	283002	DOOR RING	ARO ESCOTILLA	BAGUE HUBLLOT
50	199323	DOOR LOCK PIECE	PIEZA CIERRE SEGURIDAD	PIECE FERMETURE HUBLLOT
51	144279	ALLEN SCREW DIN 912 M-5X15	TOR.ALLDIN912-8.8 B.TRI.M 5X15	VIS ALLEN DIN 912 M-5X15
52	174482	SELFOIL SLEEVE B11B22-28-25/33	COJ. SELFOIL B11B22-28-25/33-4	FRETTE SELFOIL B11B22-28-25/33
53	277285	HINGE	BISAGRA	CHARNIERE
54	175752	ALLEN SCREW DIN 912 M-20X60	TOR.ALLDIN912-8.8 B.TRI.M20X60	VIS ALLEN DIN 912 M-20X60
55	259952	HINGE	BISAGRA	CHARNIERE
57	176776	CONICAL END FIG. 26 D38	TOPE CONICO FIG.26 D38	ARRET CONIQUE FIG. 26 D38
58	175778	ALLEN BUMP DIN 916 M-8X15	ESP.ALL.DIN916-10.9 M 8X15	GOUJON ALLEN DIN 916 M-8X15
59	206995	DOOR BOLT	BULON ESCOTILLA	BOULON HUBLLOT
60	174524	FLEXIBLE RING E-22 DIN 471	ANILLO ELASTICO E-22 DIN 471	BAGUE ELASTIQUE E-22 DIN 471
61	276857	MICROSWITCH BRACKET	SOPORTE MICRORRUPTOR	SUPPORT MICRORRUPTEUR
62	146043	BIC CYL SCREW DIN84-4,8 M3X16	TOR.CIL.DIN84-4.8 B.TRI.M 3X16	VIS CYL DIN84-4,8 BICR.M3X16
63	276907	MICROSWITCH ACTIVATOR BOLT	PERNO ACCIONADOR MICRORRUPTOR	BOULON ACCIONATEUR MICRORRUPT.
64	198069	SPRING	MUELLE COMPENSADOR	RESSORT
65	149922	INOX HEX. NUT DIN 934 M-4	TUER.EX.DIN934 INOX A2-70 M 4	ECROU HEX. INOX DIN 934 M-4
66	276873	MICROSWITCH DRIVE	ACCIONADOR MICRORRUPTOR	ACTIONNEMENT MICRORRUPTEUR
67	276840	GUIDE SLEEVE	CASQUILLO GUIA	FRETTE GUIDE
68	276923	PROTECTION PLATE	TAPA PROTECCION	COUVERCLE PROTECTION
69	144832	INOX.HEX.SCREW DIN 933 M-4X10	TOR.EX.DIN933INOX A2-70 M 4X10	VIS HEX INOX. DIN 933 M-4X10
70	149328	INOX A2 WASHER DIN 125 4,3	ARAN. DIN125 INOX A2 4,3	RONDELLE INOX A2 DIN 125 4,3
71	145664	INOX FLAT SCREW DIN85 M 4X8	TOR.PLA.DIN85 INOX A2-70 M4X 8	VIS PLAT INOX DIN85 M 4X8
72	276931	WIRE PROTECTION HOSE	TUBO PROTECCION CABLES	TUBE PROTECTION CABLES
73	200212	DOOR END-PIECE	TOPE ESCOTILLA	ARRET HUBLLOT
74	206664 *	DOOR RING	ARO ESCOTILLA	BAGUE HUBLLOT
75	185751	VITRE D645+-1,5X5	MIRILLA CRISTAL D645+-1,5X5	GLASS SPYHOLE D645+-1,5X5

N°	REF.	DENOMINATION	DENOMINACIÓN	DÉNOMINATION
76	185744	A PROFILE EPDM WHITE 2030MM	PERFIL A EPDM BLANCO 2030MM.	PROFILE A EPDM BLANC 2030MM
77	206672	OUTER RING	ARO EXTERIOR	BAGUE EXTERIEUR
78	145649	INOX FLAT SCREW DIN85 M 4X10	TOR.PLA.DIN85 INOX A2-70 M4X10	VIS PLAT INOX DIN85 M-4X10 A2
79	116129	SCREW GASKET	JUNTA TORNILLO	JOINT VIS
80	150151	INOX BLIND NUT DIN 1587 M-4	TUERCA CIE.INOX LAR.DIN1587M 4	ECROU AVEUGLE INOX DIN 1587 M4
81	183624	DOOR GASKET	JUNTA ESCOTILLA	JOINT HUBLLOT
82	216820	DOOR GASKET CLIP	GRAPA JUNTA ESCOTILLA	CLIP JOINT HUBLLOT
83	149302	INOX.A2 WASHER DIN 125 13	ARAN. DIN125 INOX A2 13	RONDELLE INOX.A2 DIN 125 13
84	149948	INOX. HEX. NUT DIN 934 M-12	TUER.EX.DIN934 INOX A2-70 M12	ECROU HEX. INOX. DIN 934 M-12
85	276543	LOCKING BASE	BASE CIERRE	BASE FERMETURE
86	302331	ALLEN SCREW DIN912-8.8 BICR.	TOR.ALLDIN912-8.8 B.TRI.M 6X35	VIS ALLDIN912-8.8 BICR.M6X35
87	279810	LOCKING BOX COVER	TAPETA CAJA CIERRE	COUVERCLE BOITE FERMETURE
88	146035	BICR CYL SCREW DIN84 M-3X10	TOR.CIL.DIN84-4.8 B.TRI.M 3X10	VIS CYL BICR DIN84-4.8 M 3X10

* 206656 (COMPLETE) DOOR

ESCOTILLA COMPLETA

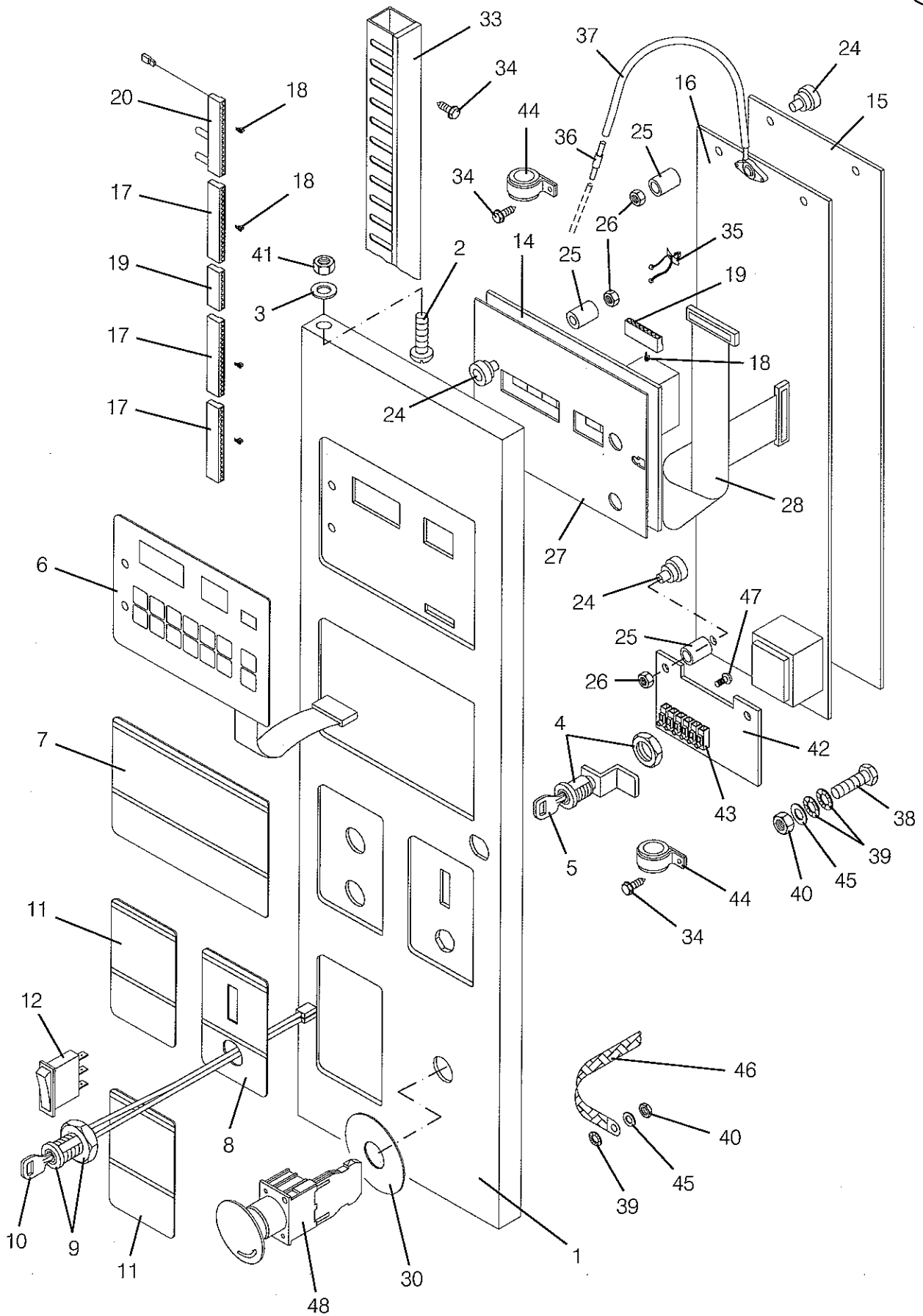
HUBLLOT (COMPLET)



N°	REF.	DENOMINATION	DENOMINACIÓN	DÉNOMINATION
1	410951	CONVERTER INSTALLATION PLATE	PLACA INSTALACION CONVERTIDOR	PLAQUE INSTALLATION CONVERTIS.
2	410969	BOX COVER CEM	ENVOLVENTE CAJA CEM	ENVELOPPE BOITE CEM
3	183400	CYL.PLATE SCREW ST-4 20 C/AL	TOR.CHAPA ST-4 20 C/AL.T25	VIS PLAQUE CYL.ST-4 20 C/AL
4	191726	HEX SCREW 8G DIN933 M 8X 45	TOR.EX.DIN933-8.8 B.TRI.M 8X45	VIS HEX.8G DIN933 M 8X 45
5	149518	BICR.WASHER B DIN125-ST 8,4	ARAN.B DIN125-ST B.TRI. 8,4	RONDELLE.B DIN125-ST BICR.8,4
6	150201	BICR.HEX NUT DIN 934-8 M-8	TUER.EX.DIN934-8 B.TRI.M 8	ECROU HEX.DIN 934-8 BICR.M-8
7	166652	BIC.HEX SCREW DIN933-8.8 M8X15	TOR.EX.DIN933-8.8 B.TRI.M 8X15	VIS HEX DIN933-8.8 BICR. M8X15
8	149518	BICR.WASHER B DIN125-ST 8,4	ARAN.B DIN125-ST B.TRI. 8,4	RONDELLE.B DIN125-ST BICR.8,4
9	321604	CONVERTER FRN22 G11S-4EN (FOR 380-400-415-440-480V)	CONVERTIDOR FRN22 G11S-4EN (PARA 380-400-415-440-480V)	CONVERTISSEUR FRN22 G11S-4EN (POUR 380-400-415-440-480V)
	321612	CONVERTER FRN22 G11S-2JE (FOR 200-208-220-230-240V)	CONVERTIDOR FRN22 G11S-2JE (PARA 200-208-220-230-240V)	CONVERTISSEUR FRN22 G11S-2JE (POUR 200-208-220-230-240V)
10	318444	FILTER TYPE EFL-22G11-4	FILTRO TIPO EFL-22G11-4	FILTRE TP. EFL-22G11-4
11	144394	ALLEN SCREW DIN912 M8X20	TOR.ALLDIN912-8.8 B.TRI.M 8X20	VIS ALLEN DIN912 M8X20
12	144337	ALLEN SCREW DIN912 M 6X15	TOR.ALLDIN912-8.8 B.TRI.M 6X15	VIS ALLEN DIN912 M 6X15
13	128934	CYLINDRICAL CAGED NUT M-6	TUER.ENJ.M6 CILINDR.R-310078-1	ECROU ENCAGE CYLINDRIQUE M-6
14	318451	INDUCTANCE DCR004 (FOR 380-400-415-440-480V)	INDUCTANCIA DCR004 (PARA 380-400-415-440-480V)	INDUCTANCE DCR004 (POUR 380-400-415-440-480V)
	326090	INDUCTANCE DCR006 (FOR 200-208-220-230-240V)	INDUCTANCIA DCR006 (PARA 200-208-220-230-240V)	INDUCTANCE DCR006 (POUR 200-208-220-230-240V)
15	149526	BICR.WASHER B DIN125-ST 6,4	ARAN.B DIN125-ST B.TRI. 6,4	RONDELLE B DIN125-ST BICR.6,4
16	320218	TRANSFORMER IP 100 VA (FOR 380-400-415-440-480V)	TRANSFORMADOR IP00 100 VA (PARA 380-400-415-440-480V)	TRANSFORMATEUR IP00 100 VA (POUR 380-400-415-440-480V)
	320614	TRASNFORMER IP00 100 VA (FOR 200-208-220-230-240V)	TRANSFORMADOR IP00 100 VA (PARA 200-208-220-230-240V)	TRANSFORMATEUR IP00 100 VA (POUR 200-208-220-230-240V)
17	320846	CONTACTOR 3RT10 24-1AL2 (FOR 380-400-415-440-480V)	CONTACTOR 3RT10 24-1AL2 (PARA 380-400-415-440-480V)	CONTACTEUR 3RT10 24-1AL2 (POUR 380-400-415-440-480V)
	321240	COIL 3RT1924-5AL21 230-50/60 (FOR 380-400-415-440-480V)	BOBINA 3RT1924-5AL21 230-50/60 (PARA 380-400-415-440-480V)	BOBINE 3RT1924-5AL21 230-50/60 (POUR 380-400-415-440-480V)
	326348	CONTACTOR 3RT10 36-1AL2 (FOR 200-208-220-230-240V)	CONTACTOR 3RT10 36-1AL2 (PARA 200-208-220-230-240V)	CONTACTEUR 3RT10 36-1AL2 (POUR 200-208-220-230-240V)
	328567	COIL 3RT1935-5AL21 230-50/60 (FOR 200-208-220-230-240V)	BOBINA 3RT1935-5AL21 230-50/60 (PARA 200-208-220-230-240V)	BOBINE 3RT1935-5AL21 230-50/60 (POUR 200-208-220-230-240V)
18	326322	AUT.SWITCH 3RV10 11-ODA1.0 (FOR 380-400-415-440-480V)	INTERRUPT.AUT.3RV10 11-ODA10 (PARA 380-400-415-440-480V)	INTERRUPTEUR AUT.3RV10 11-ODA1 (POUR 380-400-415-440-480V)

N°	REF.	DENOMINATION	DENOMINACIÓN	DÉNOMINATION
	326330	AUT.SWITCH 3RV10 11-OAFA1.0 (FOR 200-208-220-230-240V)	INTERRUPT.AUT.3RV10 11-OFA10 (PARA 200-208-220-230-240V)	INTERRUPTEUR AUT.3RV10 11-OAF1 (POUR 200-208-220-230-240V)
19	326306	AUXILIARY CONTACT 3RV19 01-1E	CONTACTO AUXILIAR 3RV19 01-1E	CONTACT AUXILIARE 3RV19 01-1E
20	201202	CONTACTOR FIXATION PROFILE	PERFIL FIJACION CONTACTORES	PROFILE FIXATION CONTACTEURS
21	326488	FERITE RS-OC/1 (CH-1)	FERRITA RS-OC/1 (CH-1)	FERRITE RS-OC/1 (CH-1)
22	191254	ALLEN SCREW DIN 912 M 4X 15	TOR.ALLDIN912-8.8 B.TRI.M 4X15	VIS ALLEN DIN 912 M 4X 15
23	149922	INOX HEX. NUT DIN 934 M-4	TUER.EX.DIN934 INOX A2-70 M 4	ECROU HEX. INOX DIN 934 M-4
24	321489	UNIT BRAKE BU3-220-4EN (FOR 380-400-415-440-480V)	UNIDAD DE FRENO BU3-220-4EN (PARA 380-400-415-440-480V)	UNITE FREIN BU3-220-4EN (POUR 380-400-415-440-480V)
	321471	UNIT BRABE BU3-220-2 (FOR 200-208-220-230-240V)	UNIDAD DE FRENO BU3-220-2 (PARA 200-208-220-230-240V)	UNITE FREIN BU3-220-2 (POUR 200-208-220-230-240V)
25	321174	FERRITE SPLIT TRCN-28-16-20	FERRITA SPLIT TRCN-28-16-20	FERRITE SPLIT TRCN-28-16-20
26	318147	CONNECTION-BOARD PA-239L WP	REGLETA PA-239L/12POLOS WP	REGLETTE PA-239L/12POLES WP
27	193631	CYL PLATE SCREW DIN7971 6X5/8"	TOR.CHAPA CILI.DIN7971 6X5/8"	VIS PLAQU CYL DIN7971 6X5/8"
28	410985	FUSE BRACKET	SOPORTE FUSIBLES	SUPPORT FUSIBLES
29	160119	FUSE HOLDER REF.FEC 031 1631	PORTAFUSIBLES REF.FEC.031.1631	PORTE-FUSIBLE REF.FEC 031 1631
30	137661	BAYONET HEAD	CABEZA BAYONETA FEK.031.1613	TETE BAYONETTE
31	319152	FUSE SPT 0001.2521 0,5A	CART.FUSIB.SPT 0001.2521 0,5A	CARTOUCHE FUSIBLE SPT
32	321125	FUSE SPT 1 A (FOR 200-208-220-230-240V)	CART.FUSIB.SPT 0001.2524 1 A (PARA 200-208-220-230-240V)	CARTOUCHE FUS. SPT 1 A (POUR 200-208-220-230-240V)
33	142430	CHANNEL RE. 60.30.77	CANAL UNEX 60.30.77	CANAL REF. 60.30.77
34	139683	CONE ECPC-6	CONO HIMEL ECPC-6	CONE ECPC-6
35	181701	LEGRAND CONE 91911	CONO LEGRAND 91911	CONE LEGRAND 91911
36	321273	PROFILE E0819T00000 UL94HB	PERFIL E0813T00000 UL94HB	PROFILE E0819T00000 UL94HB
37	410993	BRAKE FIXATION BRACKET	SOPORTE FIJACION UNIDAD FRENO	SUPPORT FIXATION UNIT.FREIN
38	410977	CEM COVER	TAPA CEM	COUVERCLE CEM
39	146084	BICR CYL SCREW DIN84 M 4X 10	TOR.CIL.DIN84-4.8 B.TRI.M 4X10	VIS CYL BICR DIN84-4.8 M 4X 10
40	149476	BICR.WASHER B DIN125-ST 4,3	ARAN.B DIN125-ST B.TRI. 4,3	RONDELLE B DIN125-ST BICR.4,3
41	410944	HEATER CONECT.PROTECTION	PROTECCION CONEX.CALEFACTORES	PROECT.CONEX.RESISTANCES
42	318741	HEATER 240V 2500W	CALEFACTOR 240V 2500W	RESISTANCE 240V 2500W
43	323824	GROUND -CS 310/010/07	TRENZA DE MASA CS 6-310/010/07	TERRE - CS -310/010/07
44	144295	BICR.SCREW ALLEN912-8.8 M 5X25	TOR.ALLDIN912-8.8 B.TRI.M 5X25	VIS ALLDIN912-8.8 BICR.M 5X 25

N°	REF.	DENOMINATION	DENOMINACIÓN	DÉNOMINATION
45	149534	BICR.WASHER B DIN125-ST 5,3	ARAN.B DIN125-ST B.TRI. 5,3	RONDELLE B BICR.DIN125-ST 5,3
46	149724	BICR EXT.TOOT.WASH.DIN6798 M5	ARAN.DEN.EXT.B.TRI.DIN6798M 5	RONDEL DEN.EX.BICR.DIN6798 M5
47	150177	BICR HEX NUT DIN934-8 M5	TUER.EX.DIN934-8 B.TRI.M 5	ECROU HEX DIN934-8 BIC.M5
48	146274	BICR.HEX SCREW DIN933-8 M-5X10	TOR.EX.DIN933-8.8 B.TRI.M 5X10	VIS HEX.BICR.DIN933-8.8 M-5X10
49	411090	AIR CONDUCTION COVER	TAPA CONDUCCION AIRE	COUVERCLE CONDUIT AIR
50	411108	PROFILE	PERFIL OBTURADOR	PROFILE
51	146233	BICR.HEX SCREW DIN933-8 M6X15	TOR.EX.DIN933-8.8 B.TRI.M 6X15	VIS HEX DIN933-8.8 BICR.M6X15
52	321117	NUT ENJ.M6 1,6-2,5 R.310008-7	TUER.ENJ.M6 1,6-2,5 R.310008-7	ECROU ENJ.M6 1,6-2.5 R310008-7
53	344168	SECTION SWITCH 63A	INTERRUPTOR SECCIONADOR 63A	INTERRUPTEUR SECTIONNEUR 63A
55	411009	CURRENT INPUT COVER	TAPA ENTRADA CORRIENTE	COUVERCLE ENTREE DE COURANT
56	326462	STUFFING-BOX EXAD CLAMP PG29	PRENSAE.EXAD.BRIDA 82904 PG29	PRESSE-ETOUPE EXAD BRIDE PG29
57	140277	COUNTERNUT PG-29	TUERCA PG 282904 PG-29	CONTREECROU PG-29
58	197319	FIXING CLAMP 1X15 DIN 72571	ABRAZ.FIJACION 1X15 DIN 72571	BRIDE FIXATION 1X15 DIN 72571
59	323337	WIRE-STOP REF.222	PASACABLE REF.222	PASSECCABLE REF.222
60	332353	FAN G11-FANT7,5 (5,5-22 KW)	VENT. G11-FAN7,5 (5,5-22 KW)	VENTILATEUR G11-FAN7,5 (5,5-22



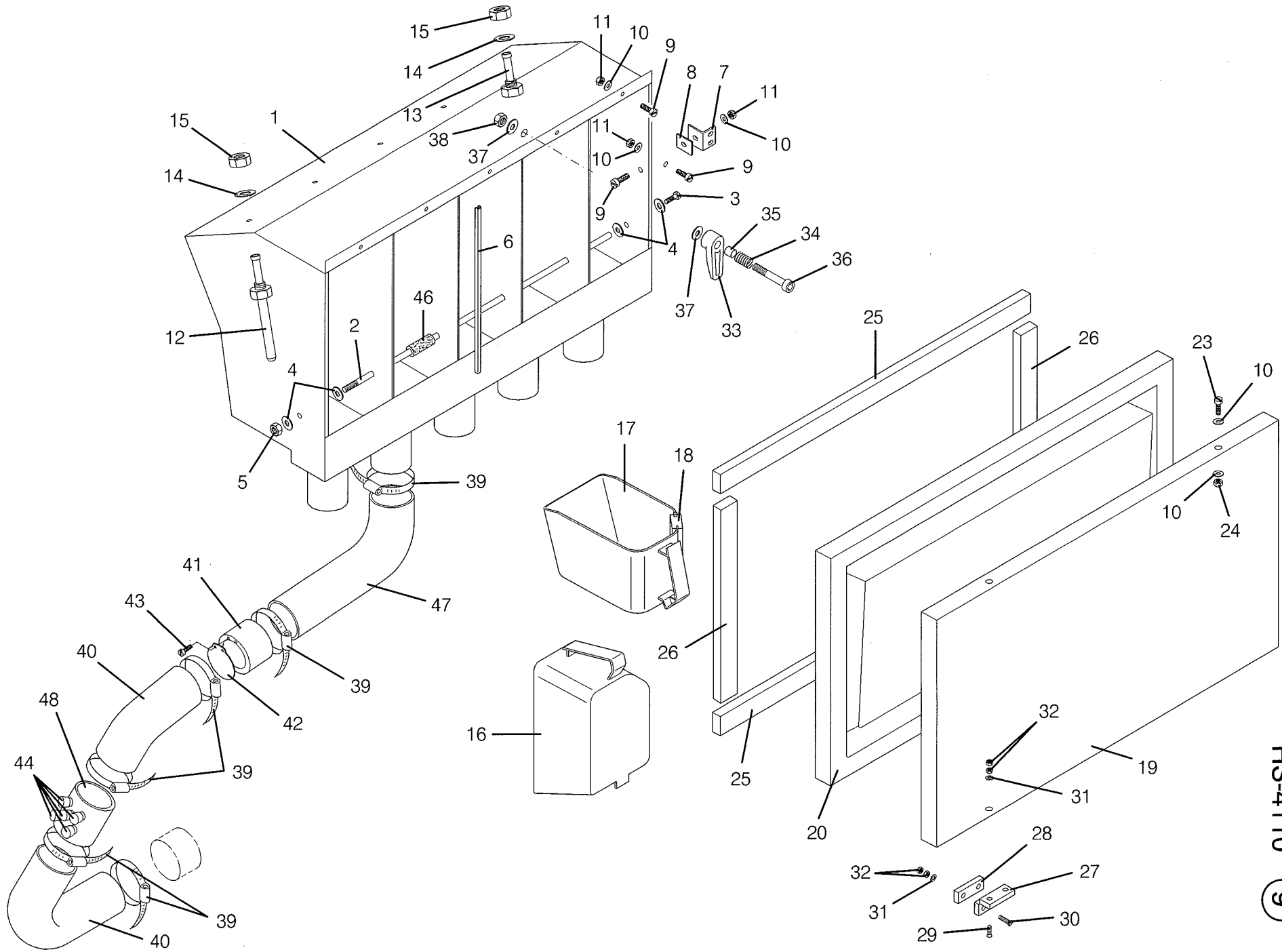
N°	REF.	DENOMINATION	DENOMINACIÓN	DÉNOMINATION
1	276675	SIDE CONTROL PANEL	PANEL DE MANDOS LATERAL	PANNEAU COMMANDES LATERAL
2	146134	BICR CYL SCREW DIN84 M-5X20	TOR.CIL.DIN84-4.8 B.TRI.M 5X20	VIS CYL BICR DIN84-4.8 M-5X20
3	149534	BICR.WASHER B DIN125-ST 5,3	ARAN.B DIN125-ST B.TRI. 5,3	RONDELLE B BICR.DIN125-ST 5,3
4	196915	LOCK RE.20.00.02.05 (KEYS INCLUDED)	CERRADURA REF.20.00.02.05 (INCLUYE LLAVES)	FERMETURE REF.20.00.02.05 (CLES COMPRISES)
5	196923	LOCK KEY RE.10.41.213	LLAVE REF.10.41.213 COMB.T-205	CLE FERMETURE REF.10.41.213
6	289249	PM WASHER KEYBOARD	TECLADO LAVADORA PM	CLAVIER LAVEUSE PM
7	301440	ENGLISH OPERATION INSTR.PLATE	PLACA INSTR.FUNCION. IN.	PLAQUE INSTR.FONCTION ANGLAIS
	301457	SPANISH OPERATION INSTR.PLATE	PLACA INSTR.FUNCION. ES.	PLAQUE INSTR.FONCTION ESPAGNOL
	301465	FRENCH OPERATION INSTR.PLATE	PLACA INSTR.FUNCION. FR.	PLAQUE INSTR.FONCTION FRANCAIS
	301473	GERMAN OPERATION INSTR.PLATE	PLACA INSTR.FUNCION. AL.	PLAQUE INSTR.FONCTION ALLEMAND
	301481	ITALIAN OPERATION INSTR.PLATE	PLACA INSTR.FUNCION. IT.	PLAQUE INSTR.FONCTION ITALIEN
	301499	PORTUGUESE OPERATION INST.PLAT	PLACA INSTR.FUNCION. PO.	PLAQUE INST.FONCTION PORTUGAIS
	301507	DUTCH OPERATION INSTR.PLATE	PLACA INSTR.FUNCION. HO.	PLAQUE INSTR.FONCTION HOLLAND.
	301515	DANISH OPERATION INSTR.PLATE	PLACA INSTR.FUNCION. DA.	PLAQUE INSTR.FONCTION DANOIS
	301523	FINNISH OPERATION INSTR.PLATE	PLACA INSTR.FUNCION. FI.	PLAQUE INSTR.FONCTION FINLAND.
	301531	NORWEGIAN OPERATION INSTR.PLAT	PLACA INSTR.FUNCION. NO.	PLAQUE INSTR.FONCTION NORVÉG.
	301549	SWEDISH OPERATION INSTR.PLATE	PLACA INSTR.FUNCION. SU.	PLAQUE INSTR.FONCTION SUÉDOIS
	301556	GREEK OPERATION INSTR.PLATE	PLACA INSTR.FUNCION. GR.	PLAQUE INSTR.FONCTION GREC
	301564	JAPENESE OPERATION INSTR.PLATE	PLACA INSTR.FUNCION. JA.	PLAQUE INSTR.FONCTION JAPONAIS
8	301994	GENERAL CONTROL PLATE	PLACA MANDOS GENERALES	PLAQUE COMMANDES GENERALES
9	410522	FUNCTION SWITCH (KEYS INCLUDED)	CONMUTADOR FUNCIONES (INCLUYE LLAVES)	COMMUTATEUR FONCTIONS (CLES COMPRISES)
10	189480	KEY FOR LOCK 3355/13	LLAVE PARA CERRADURA 3355/13	CLE POUR FERMETURE 3355/13
11	301069	ENGLISH SAFETY INSTR.PLATE	PLACA INSTR.SEGURIDAD IN.	PLAQUE INSTR.SECURITE ANGLAIS
	301077	SPANISH SAFETY INSTR.PLATE	PLACA INSTR.SEGURIDAD ES.	PLAQUE INSTR.SECURITE ESPAGNOL
	301085	FRENCH SAFETY INSTR.PLATE	PLACA INSTR.SEGURIDAD FR.	PLAQUE INSTR.SECURITE FRANCAIS
	301093	GERMAN SAFETY INSTR.PLATE	PLACA INSTR.SEGURIDAD AL.	PLAQUE INSTR.SECURITE ALLEMAND
	301101	ITALIAN SAFETY INSTR.PLATE	PLACA INSTR.SEGURIDAD IT.	PLAQUE INSTR.SECURITE ITALIEN
	301119	PORTUGUESE SAFETY INSTR.PLATE	PLACA INSTR.SEGURIDAD PO.	PLAQUE INST.SECURITE PORTUGAIS
	301127	DUTCH SAFETY INSTR.PLATE	PLACA INSTR.SEGURIDAD HO.	PLAQUE INSTR.SECURITE HOLLAND.

N°	REF.	DENOMINATION	DENOMINACIÓN	DÉNOMINATION
	301135	DANISH SAFETY INSTR.PLATE	PLACA INSTR.SEGURIDAD DA.	PLAQUE INSTR.SAFETY DANOIS
	301143	FINNISH SAFETY INSTR.PLATE	PLACA INSTR.SEGURIDAD FI.	PLAQUE INSTR.SECURITE FINLAND.
	301150	NORWEGIAN SAFETY INSTR.PLATE	PLACA INSTR.SEGURIDAD NO.	PLAQUE INST.SECURITE NORVÉGIEN
	301168	SWEDISH SAFETY INSTR.PLATE	PLACA INSTR.SEGURIDAD SU.	PLAQUE INSTR.SECURITE SUÉDOIS
	301176	GREEK SAFETY INSTR.PLATE	PLACA INSTR.SEGURIDAD GR.	PLAQUE INSTR.SECURITE GREC
	301184	JAPENESE SAFETY INSTR.PLATE	PLACA INSTR.SEGURIDAD JA.	PLAQUE INSTR.SECURITE JAPONAIS
12	300780	SWITCH 1WIXII/3359 WHITE	INTER.PILOTO 1WIXII/3359 BLANC	INTERRUPTEUR 1WIXII/3359 BLANC
14	302091	TILTING-DISPLAY PLATE	PLACA DISPLAY-BASCULANTE	PLAQUE DISPLAY-BASCULANT
	188003	DISPLAY TDSR 5160	DISPLAY TDSR 5160	DISPLAY TDSR 5160
15	278317	PROCESSOR ISOLATOR	AISLANTE MICROPROCESADOR	ISOLANT MICROPROCESSEUR
16	318170	MICROPROCESSOR BOARD PM	PLACA MICROPROCESADOR PM VR	PLAQUE MICROPROCESSEUR PM
	320655	WASHER-EXTRACTOR EPROM PM4 V04	EPROM LAVADORAS PM4 VER04	EPROM LAVEUSES PM4 VER04
	187195	RAM ZERO POWER MK48Z08-10	RAM ZERO POWER MK48Z08-10	RAM ZERO POWER MK48Z08-10
	187203	INPUT OPTOISOLATOR 4N35	OPTOACOPLADOR ENTRADA 4N35	OPTOISOLATOR ENTREE 4N35
	187211	OUTPUT OPTOISOLATOR S21MD4V	OPTOACOPLADOR SALIDA	OPTOISOLATOR SORTIE S21MD4V
17	197301	PROTECTOR AMP-UNYT 1-640029-6	PROTECTOR AMP-UNYT 1-640029-6	PROTECTEUR AMP-UNYT 1-640029-6
18	197426	POLARIZATION AMP 640180-1	POSICIONADOR AMP 640180-1	POLARIZATION AMP 640180-1
19	199810	PROTECTOR AMP-UNYT 640029-8	PROTECTOR AMP-UNYT 640029-8	PROTECTEUR AMP-UNYT 640029-8
20	279216	IDENTIFICATION PLUG	CONECTORA IDENTIFICACION	CONNECTEUR IDENTIFICATION
24	277392	PLATE-CONTROL SEPARATOR	SEPARADOR PANEL-PLACA	SEPARATEUR TABLEAU-PLAQUE
25	277400	NUT-PLATE SEPARATOR	SEPARADOR PLACA-TUERCA	SEPARATEUR PLAQUE-ECROU
26	150185	BICR.HEX.NUT DIN934-8 M4	TUER.EX.DIN934-8 B.TRI.M 4	ECROU HEX.DIN934-8 BICR.M4
27	282327	DISPLAY PLATE ISOLATOR	AISLANTE PLACA DISPLAY	ISOLANT PLAQUE DISPLAY
28	302182	DISPLAY CONNECTION WIRE	CABLE CONEXION DISPLAY	CABLE CONNECTION DISPLAY
29	192310	MUSHROOM PUSH-BUTTON	PUL.HONGO ENCL.3SB10 (341529)	PULSATEUR TYPE COUP DE POING
30	192294	YELLOW RING	ARO AMARILLO	BAGUE JAUNE
31	197343	CONNECTION ELEMENT 3SB13 20-0A	ELEMENTO CONEXION 3SB13 20-0A	ELEMENT CONNEXION 3SB13 20-0A
33	282970	CONTROL PANEL CHANNEL	CANAL PANEL MANDOS	CHANNEL PANNEAL COMMANDES
34	183400	CYL.PLATE SCREW ST-4 20 C/AL	TOR.CHAPA ST-4 20 C/AL.T25	VIS PLAQUE CYL.ST-4 20 C/AL
35	199893	CLAMP STL-450-3-01	ABRAZADERA STL-450-3-01	BRIDE STL-450-3-01

N°	REF.	DENOMINATION	DENOMINACIÓN	DÉNOMINATION
36	120956	LEVEL PRESSURE-SWITCH INTAKE	TOMA PRESOSTATO NIVEL	PRISE PRESSOSTAT NIVEAU
37	279588	AIR CONDUCTION HOSE	TUBO CONDUCCION AIRE	TUBE CONDUITE AIR
38	191254	ALLEN SCREW DIN 912 M 4X 15	TOR.ALLDIN912-8.8 B.TRI.M 4X15	VIS ALLEN DIN 912 M 4X 15
39	149732	BICR.EXT TOOT.WASH DIN6798 M4	ARAN.DEN.EXT.B.TRI.DIN6798M 4	RONDEL.DEN.EX.BICR.DIN6798 M4
40	150185	BICR.HEX.NUT DIN934-8 M4	TUER.EX.DIN934-8 B.TRI.M 4	ECROU HEX.DIN934-8 BICR.M4
41	176826	SELF-BLOCKING NUT DIN 985 M-5	TUER.AUTOBL.DIN985-8 B.TRI.M5	ECROU AUTOBLOCANT DIN 985 M-5
42	406280	CONNECTION-BOARD BASE	BASE REGLETA	BASE REGLETTE
43	318147	CONNECTION-BOARD PA-329L (12 UNITS)	REGLETA PA-239L/12POLOS WP (12 ELEMENTOS)	REGLETTE PA-329L/12POLES WP (12 UNITÉS)
44	321174	FERRITE SPLIT TRCN-28-16-20	FERRITA SPLIT TRCN-28-16-20	FERRITE SPLIT TRCN-28-16-20
45	149476	BICR.WASHER B DIN125-ST 4,3	ARAN.B DIN125-ST B.TRI. 4,3	RONDELLE B DIN125-ST BICR.4,3
46	323824	GROUND -CS 310/010/07	TRENZA DE MASA CS 6-310/010/07	TERRE - CS -310/010/07
47	166835	SELFTHREADED SCREW	TOR.CELO RF81T 3,5X12	VIS AUTO-FILETE 271147231900

N°	REF.	DENOMINATION	DENOMINACIÓN	DÉNOMINATION
		FROM MACHINE N° 870.001	A PARTIR DE LA MÁQUINA N° 870.001	A PARTIR DE LA MACHINE N° 870.001
29	192310	CANCELLED	ANULADO	ANNULE
31	197343	CANCELLED	ANULADO	ANNULE
48	341529	EMERGENCY STOP LC	PARO EMERGENCIA LC	ARRET EMERGENCE LC

U.15855

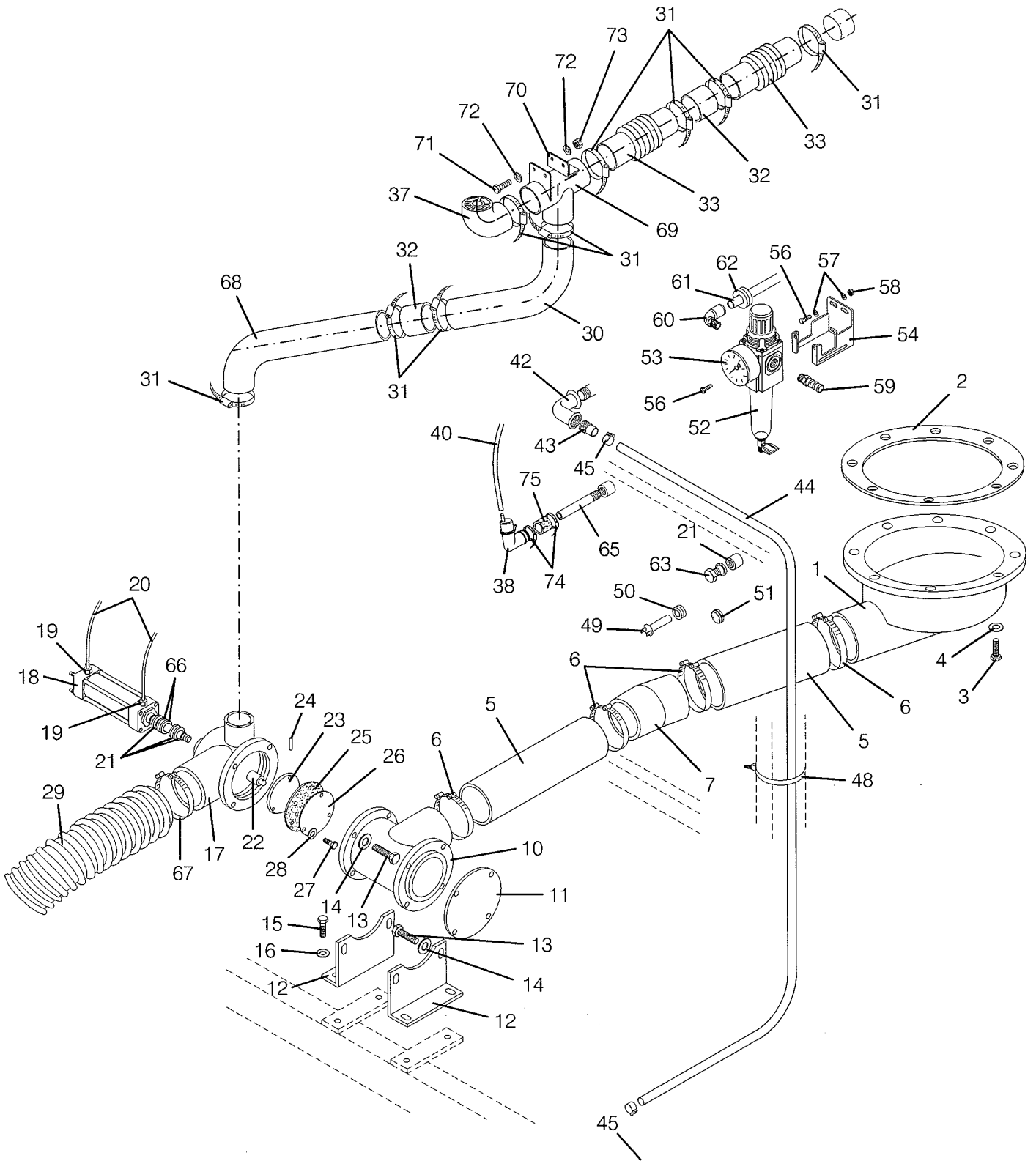


HS-4110

9

N°	REF.	DENOMINATION	DENOMINACIÓN	DÉNOMINATION
1	255539	SOAP DISPENSER SET (PIN AND PROFILES INCLUDES)	CONJUNTO DOSIFICADORES (INCLUYE VARILLA Y PERFILES)	ENSEMBLE BACS A PRODUITS BAGUETTE ET PROFILES COMPRIS
2	255554	SOAP DISPENSER BAR	VARILLA DOSIFICADOR	BAGUETTE BAC A PRODUITS
3	144782	INOX HEX SCREW DIN933 M 5X15	TOR.EX.DIN933INOX A2-70 M 5X15	VIS HEX INOX DIN933 M 5X15
4	160838	WASHER 14X6X1,5	ARANDELA 14X6X1,5	RONDELLE 14X6X1,5
5	176826	SELF-BLOCKING NUT DIN 985 M-5	TUER.AUTOBL.DIN985-8 B.TRI.M5	ECROU AUTOBLOCANT DIN 985 M-5
6	255547	SOAP DISPENSER PROFILE	PERFIL DOSIFICADOR	PROFILE BACS A PRODUITS
7	256370	SOAP DISPENSER FIXING	FIJACION DOSIFICADOR	FIXATION BAC A PRODUITS
8	256446	SOAP DISPENSER BRACKET PIECE	PIEZA SOPORTE DOSIFICADOR	PIECE SUPPORT BAC A PRODUITS
9	145631	INOX FLAT SCREW DIN85 M 4X15	TOR.PLA.DIN85 INOX A2-70 M4X16	VIS PLAT INOX DIN85 M 4X15 A2
10	149328	INOX A2 WASHER DIN 125 4,3	ARAN. DIN125 INOX A2 4,3	RONDELLE INOX A2 DIN 125 4,3
11	176792	INOX SELF-BLOCK.NUT DIN985 M 4	TUER.AUTOBL.DIN985 INOX M 4	ECROU AUTOBLOC.INOX DIN985 M 4
12	244467	DISPENSER HOSE	TUBO DOSIFICADOR	TUBE BAC A PRODUITS
13	242883	DISPENSER HOSE COUPLING	RACOR TUBO DOSIFICADOR	RACCORD TUBE BAC A PRODUITS
14	149393	BICR WASHER B DIN125-ST 15	ARAN.B DIN125-ST B.TRI.15	RONDELLE B BICR DIN125-ST 15
15	150250	BICR HEX.NUT DIN 934-8 M 14	TUER.EX.DIN934-8 B.TRI.M14	ECROU HEX.BICR DIN 934-8 M 14
16	244806	SOLID SOAP DISPENSER	DOSIFICADOR DETERGENTE SOLIDO	BAC A PRODUIT DETERGENT SOLIDE
17	244855	LIQUID SOAP DISPENSER (HOSE INCLUDED)	DOSIFICADOR DETERGENTE LIQUIDO (INCLUYE TUBO)	BAC A PRODUIT DETERG.LIQUIDE (TUBE COMPRIS)
18	234930	CHLORINE INTAKE HOSE	TUBO ASPIRACION CLORO	TUBE ASPIRATION CHLORE
19	240291	SIDE COVER	TAPA DOSIFICADORES	COUVERCLE LATERAUX
20	199992	SOAP DISPENSER COUNTERLID	CONTRATAPA DOSIFICADORES	CONTRECOUVERCLE BAC A PRODUITS
23	145649	INOX FLAT SCREW DIN85 M 4X10	TOR.PLA.DIN85 INOX A2-70 M4X10	VIS PLAT INOX DIN85 M-4X10 A2
24	149922	INOX HEX. NUT DIN 934 M-4	TUER.EX.DIN934 INOX A2-70 M 4	ECROU HEX. INOX DIN 934 M-4
25	256792 &	SOAP DISPENSER COVER GASKET	JUNTA TAPA DOSIFICADORES	JOINT COUVERCLE BAC A PRODUITS
26	244608 &	DISPENSERS LID GASKET	JUNTA TAPA DOSIFICADORES	JOINT COUVERCLE BAC A PRODUITS
27	176800	HINGE RE 15186 CHROMED	BISAGRA PINET 72-7-3329 CROM.	CHARNIERE 15186 CHROM
28	244590	HINGE SUPPLEMENT	SUPLEMENTO BISAGRA	SUPPLEMENT CHARNIERE
29	176784	INOX SCREW DIN 963 M-3X10 A270	TOR.AV.DIN963 INOX A2-70 M3X10	VIS INOX DIN 963 M-3X10 A2-70
30	144758	INOX LENS HEAD S.DIN963 M 3X15	TOR.AV.DIN963 INOX A2-70 M3X16	VIS T/FRAI.INOX DIN963 M 3X15
31	152132	INOX A2 WASHER DIN 125	ARAN. DIN125 INOX A2 3,2	RONDELLE INOX A2 DIN 125 3,2

N°	REF.	DENOMINATION	DENOMINACIÓN	DÉNOMINATION
32	149906	INOX. HEX. NUT DIN 934 M-3	TUER.EX.DIN934 INOX A2-70 M 3	ECROU HEX. INOX DIN934 M-3
33	187393	LOCKING HANDLE	MANECILLA CIERRE	POIGNEE FERMETURE
34	187401	LOCKING HANDLE SPRING	MUELLE MANECILLA CIERRE	RESSORT POIGNEE FERMETURE
35	257469	HANDLE HOSE	TUBO MANECILLA	TUBE POIGNEE
36	144436	ALLEN SCREW DIN912 M8X45	TOR.ALL DIN912-8.8 B.TRI.M8X45	VIS ALLEN DIN912 M8X45
37	149351	INOX A2 WASHER DIN 125 8,4	ARAN. DIN125 INOX A2 8,4	RONDELLE INOX A2 DIN 125 8,4
38	164285	SELFBLOCKING NUT DIN985 M-8	TUER.AUTOBL.DIN985-8 B.TRI.M8	ECROU AUTOBLOCANT DIN985 M-8
39	132340	CLAMP 301510-0 D80-100	ABRAZADERA 80-100	BRIDE 301510-0 D80-100
40	175083	WATER INLET ELBOW	CODO ENTRADA AGUA	COUDE ENTREE EAU
41	263962	STOPPER (MEMBRANE INCLUDED)	OBTURADOR (INCLUYE MEMBRANA)	OBTURATEUR (COMPRIS MEMBRANE)
42	263954	STOPPER MEMBRANE	MEMBRANA OBTURADOR	OBTURATEUR MEMBRANE
43	192203	INOX PLATE SCREW DIN7971 4X1/2	TOR.CHAPA INOX.DIN7971 4X1/2"	VIS PLAQUE INOX DIN7971 4X1/2"
44	156679	CONICAL END-PIECE R-16 D10	TOPE CONICO REPRIMSA R-16 D10	BOUCHON CONIQUE R-16 D10
46	271924	SOAP DISPENSER ROD PROTECTION	FUNDA VARILLA DOSIFICADOR	FOURREAU BAGUET.BAC À PRODUITS
47	163253	DRAIN OUTLET HOSE	TUBO SALIDA DESAGÜE	TUBE SORTIE VIDANGE
48	220061	SOAP INLET JOINTING	UNION ENTRADA DETERGENTE	UNION ENTREE DETERGENT



N°	REF.	DENOMINATION	DENOMINACIÓN	DÉNOMINATION
1	255976	DRAIN PLATE	PLATINA DESAGÜE	PLATINE VIDANGE
2	255984	PLATE GASKET	JUNTA PLATINA	JOINT PLATINE
3	145037	INOX HEX SCREW DIN 933 M-10X30	TOR.EX.DIN933INOX A2-70 M10X30	VIS HEX INOX DIN 933 M-10X30
4	149500	BICR.WASHER B DIN125-ST 10,5	ARAN.B DIN125-ST B.TRI.10,5	RONDELLE B DIN125-ST BICR.10,5
5	185330	DRAIN HOSE	TUBO DESAGÜE	TUBE VIDANGE
6	196501	MIKALOR CLAMP 301817-5D140-148	ABRAZADERA 140-148	BRIDE MIKALOR 301817-5D140-148
7	408534	DRAIN HOSE SLEEVE	MANGUITO TUBOS DESAGÜE	FRETTE TUBES VIDANGE
10	255885	DRAIN BODY	CUERPO DESAGÜE	CORPS VIDANGE
11	255877	DRAIN BODY COVER	TAPA CUERPO DESAGÜE	COUVERCLE CORPS VIDANGE
12	256255	DRAIN BRACKET	SOPORTE DESAGÜE	SUPPORT VIDANGE
13	147025	HEX SCREW 8G DIN 933 M-12X30	TOR.EX.DIN933-8.8 B.TRI.M12X30	VIS HEX. 8G DIN933 M-12X30
14	149419	BICR.WASHER B DIN125-ST 13	ARAN.B DIN125-ST B.TRI.13	RONDELLE B DIN125-ST BICR.13
15	146480	BICR.HEX SCREW DIN933-8 M10X20	TOR.EX.DIN933-8.8 B.TRI.M10X20	VIS HEX BICR.DIN933-8 M 10X20
16	149500	BICR.WASHER B DIN125-ST 10,5	ARAN.B DIN125-ST B.TRI.10,5	RONDELLE B DIN125-ST BICR.10,5
17	213496	DRAIN BODY COVER	TAPA CUERPO DESAGÜE	COUVERCLE CORPS VIDANGE
18	186551	PNEUMATIC CYLINDER M-920/75	CILINDRO NEUM.RM-920/75	CYLINDRE PNEUMATIQUE M-920/75
	193532	KIT FOR CYLINDER M920	KIT(BOLSA C)PARA CILINDRO M920	KIT POUR CYLINDRE M920
19	186569	CONNECTION RE. 3101.06.13	CONEXION RECTA REF.3101.06.13	CONNEXION REF. 3101.06.13
20	128140	NYLON HOSE D6X4 TYPE CETOP (1 METER)	TUBO NYLON D6X4 TIPO CETOP (1 METRO)	TUBE NYLON D6X4 TYPE CETOP (1 METRE)
21	185165	TEIGHTNESS GASKET TYPE G	JUNTA ESTAN.TIPO G REF.1383300	JOINT ETANCHEITE TYPE G
22	213520	LOCK HEAD	CABEZA DEL CIERRE	TETE DE LA FERMETURE
23	213512	DRAIN LOCK	CIERRE DESAGÜE	FERMETURE VIDANGE
24	216762	DRAIN LOCKING BOLT	PASADOR CIERRE DESAGÜE	GOUJON FERMETURE VIDANGE
25	213538	DRAIN MEMBRANE	MEMBRANA DESAGÜE	MEMBRANE VIDANGE
26	216598	MEMBRANE FIXING DISK	DISCO FIJACION MEMBRANA	DISQUE FIXATION MEMBRANE
27	144964	INOX HEX SCREW DIN 933 M-8X15	TOR.EX.DIN933INOX A2-70 M 8X16	VIS HEX INOX DIN 933 M-8X15
28	149351	INOX A2 WASHER DIN 125 8,4	ARAN. DIN125 INOX A2 8,4	RONDELLE INOX A2 DIN 125 8,4
29	257170	DRAIN OUTLET HOSE	TUBO SALIDA DESAGÜE	TUBE SORTIE VIDANGE
30	175075	DRAIN HOSE	CODO GOMA D73X530X215	TUBE VIDANGE

N°	REF.	DENOMINATION	DENOMINACIÓN	DÉNOMINATION
31	132340	CLAMP 301510-0 D80-100	ABRAZADERA 80-100	BRIDE 301510-0 D80-100
32	194217	OBTURATOR HOSE	TUBO OBTURADOR	TUBE OBTURATEUR
33	278218	VAPOUR OUTLET JOINTING	UNION SALIDA VAHOS	UNION SORTIE VAPEURS
37	300442	EXHAUST ELBOW	CODO SALIDA VAHOS	COUDE SORTIE VAPEURS
38	320382	PRESSURE TRANSMITT INTAKE BODY	CUERPO TOMA PRESOSTATO	CORPS PRISE PRESSOSTAT
40	283556 &	PRESSOSTAT HOSE	TUBO PRESOSTATO	TUBE PRESSOSTAT
42	129445	ELBOW FIG. 90 1/2" GALV.	FIGURA 90 DE 1/2" GALV.	COUDE FIG. 90 1/2" GALV.
43	200063	BEARING CASE DRAIN	DESAGUE CAJA COJINETES	VIDANGE BOITE ROULEMENTS
44	283549	BEARING BOX DRAIN HOSE	TUBO DESAGÜE CAJA COJINETES	TUBE VIDANGE BOITE ROULEMENTS
45	156109	CLAMP 16-27	ABRAZADERA 16- 27	BRIDE 16-27
48	140509	CLAMP 2273-0	BRIDA UNEX 2273-0	BRIDE 2273-0
49	193862	NTC RESISTANCE 2381 640 90042	RESISTENCIA NTC 2381 640 90042	RESISTANCE NTC 2381 640 90042
50	256149	SENSOR SHEATH LODGING	PASAMUROS SENSOR	LOGEMENT SENSEUR
51	160101	THERMOSTAT INTAKE STOPPER	TAPON TOMA THERMOSTATO	BOUCHON PRISE THERMOSTAT
52	307371	REG.FILTER B72G-2GK-QT3-RMN	FILTRO/REGUL.B72G-2GK-QT3-RMN	FILTRE/REG.B72G-2GK-QT3-RMN
53	186593	MANOMETER 3-50/10/A	MANOMETRO 3-50/10/A	MANOMETRE 3-50/10/A
54	307389	STD AY-4224-50 BRACKET	SOPORTE STANDARD AY-4224-50	SUPPORT STD AY-4224-50
56	146258	BIC.HEX SCREW DIN933-4.8 M4X10	TOR.EX.DIN933-4.8 B.TRI.M 4X10	VIS HEX DIN933-4.8 BICR.M 4X10
57	149476	BICR.WASHER B DIN125-ST 4,3	ARAN.B DIN125-ST B.TRI. 4,3	RONDELLE B DIN125-ST BICR.4,3
58	150185	BICR.HEX.NUT DIN934-8 M4	TUER.EX.DIN934-8 B.TRI.M 4	ECROU HEX.DIN934-8 BICR.M4
59	186619	SLEEVE 1/4" REF. 1231013	ESPIGA ROSCADA 1/4"REF.1231013	MANCHON 1/4" REF. 1231013
60	186627	ELBOW CONNECTION RE.3109.10.13	CONEXION CODO REF.3109.10.13	CONNEXION COUDE REF.3109.10.13
61	186635	NYLON HOSE D10X8 CETOP TYPE (1 METER)	TUBO NYLON D10X8 TIPO CETOP (1 METRO)	TUBE NYLON D10X8 TYPE CETOP (1 METRE)
62	157198	THERMOSTAT SHEATH LODGING	PASAMUROS THERMOSTATO	LOGEMENT THERMOSTAT
63	185207	10805 PLUG 1" (FOR MACHINES WITHOUT STEAM)	10805 TAPON 1" (PARA MODELOS SIN VAPOR)	10805 BOUCHON 1" (POUR MACHINES SANS VAPEUR)
65	216812	PRESSOSTAT INTAKE HOSE	TUBO TOMA PRESOSTATO	TUBE PRISE PRESSOSTAT
66	259606	WASHER 40X34X0,4	ARANDELA 40X34X0,4	RONDELLE 40X34X0,4
67	166660	CLAMP 301819-7D131-139	ABRAZADERA 131-139	BRIDE 301819-7D131-139
68	405027	RUBBER HOSE D73X747X150	CODO GOMA D73X747X150	TUBE GOMME D73X747X150

HS-4110 411702B 10C

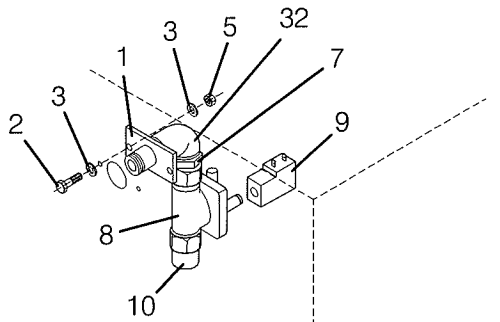
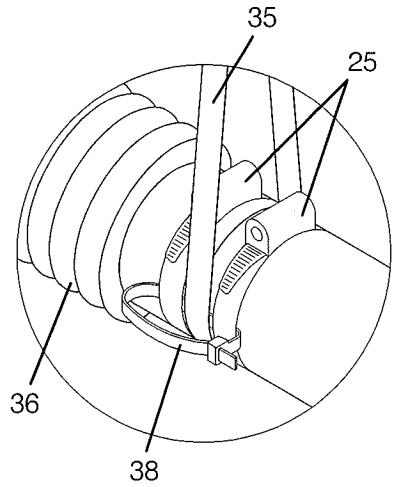
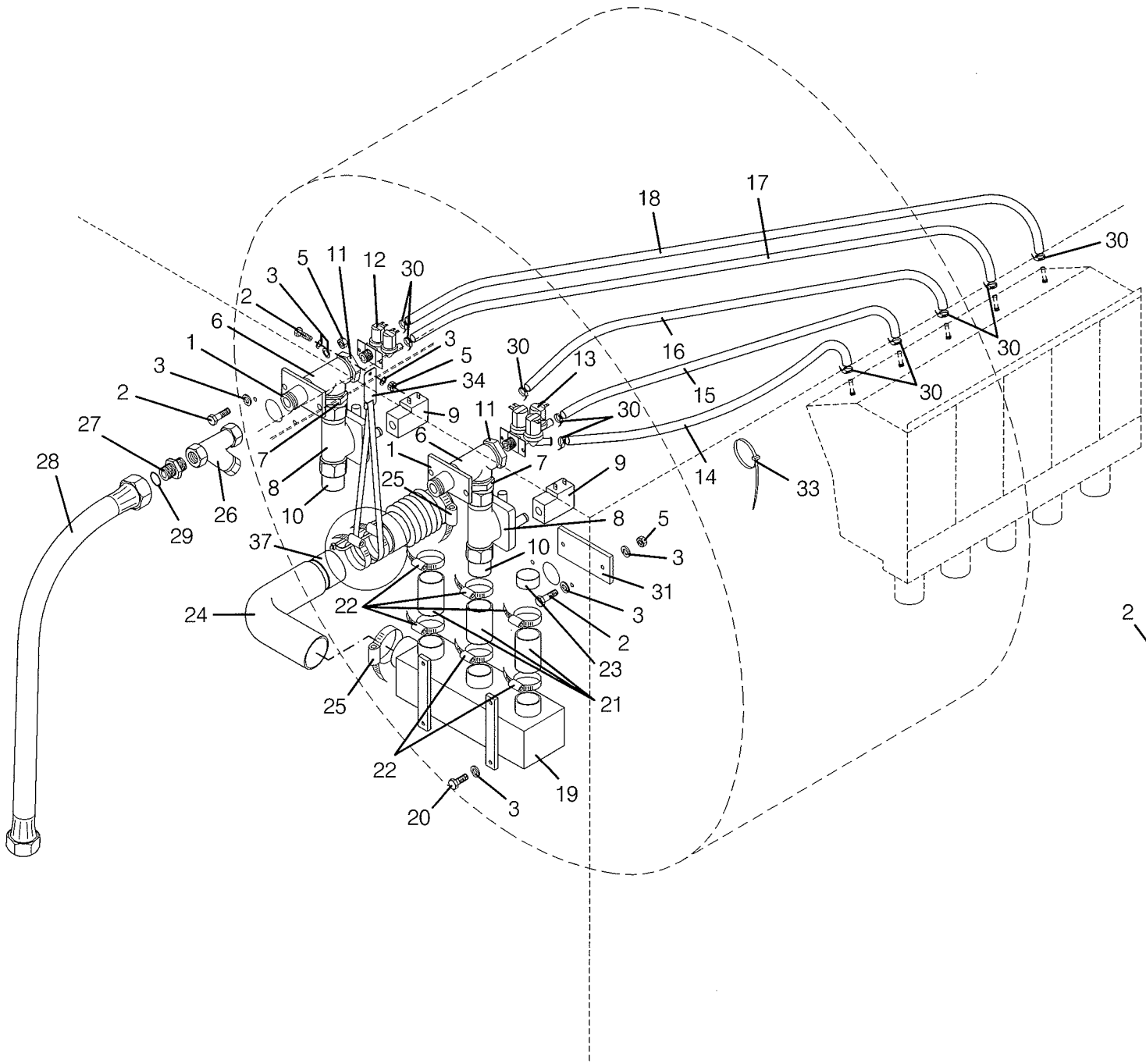
N°	REF.	DENOMINATION	DENOMINACIÓN	DÉNOMINATION
69	178152	UNION T	TE UNION	T UNION
70	290106	JOINTING T RENFORT	REFUERZO TE UNION	REFORT T UNION
71	146233	BICR.HEX SCREW DIN933-8 M6X15	TOR.EX.DIN933-8.8 B.TRI.M 6X15	VIS HEX DIN933-8.8 BICR.M6X15
72	149526	BICR.WASHER B DIN125-ST 6,4	ARAN.B DIN125-ST B.TRI. 6,4	RONDELLE B DIN125-ST BICR.6,4
73	150227	BICR HEX NUT DIN934-8 M6	TUER.EX.DIN934-8 B.TRI.M 6	ECROU HEX DIN934-8 BICR.M6
74	149609	CLAMP 301526-5 D25-40	ABRAZADERA 25- 40	BRIDE 301526-5 D25-40
75	321000	PRESSOSTAT BODY JOINTING	UNION CUERPO PRESOSTATO	UNION CORPS PRESSOSTAT

& 128199

1 METER RUBBER HOSE D 9X 5

1 METRO TUBO GOMA D 9X 5

1 METRE TUBE GOMME D 9X 5



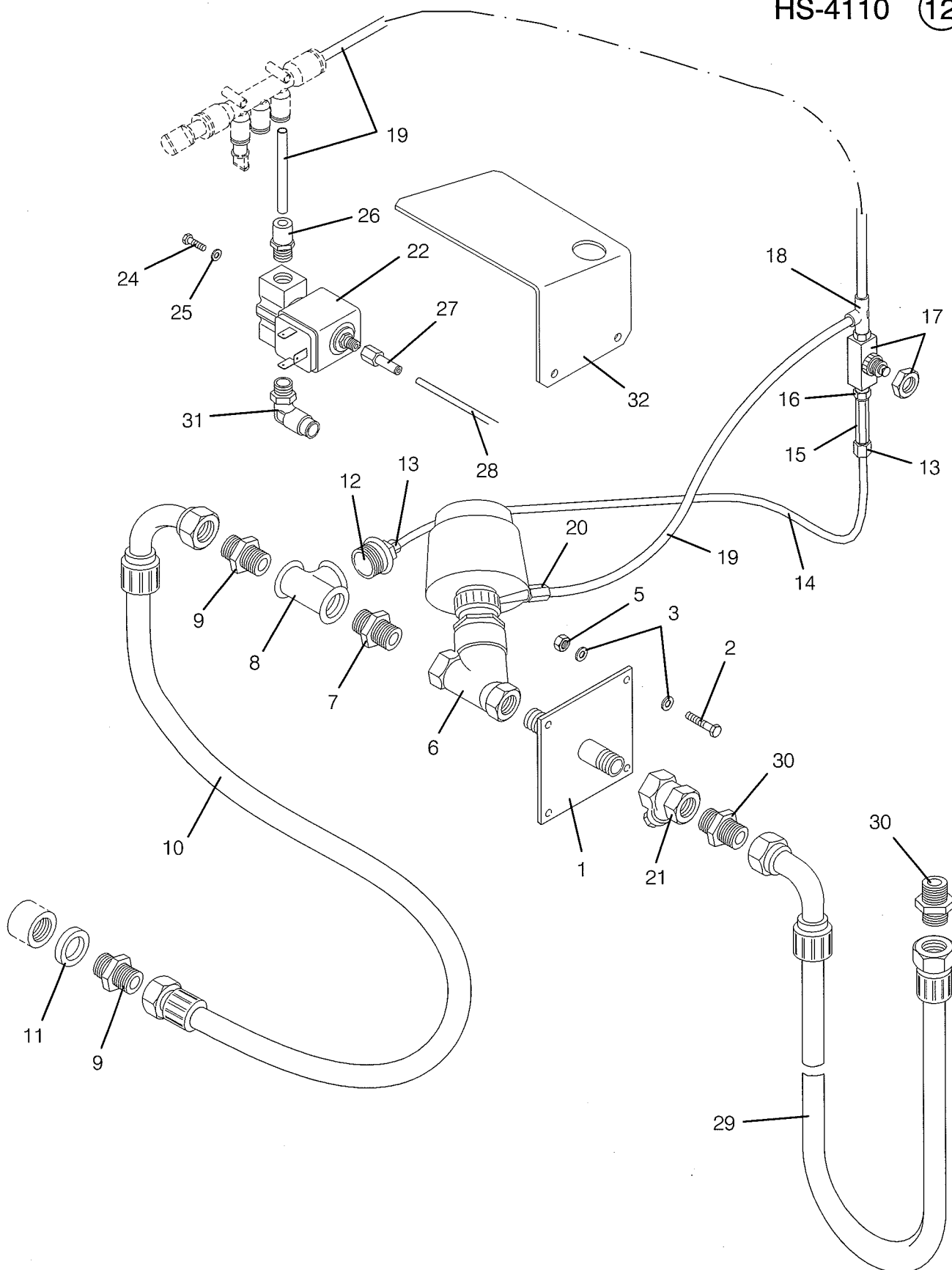
U.15857

HS-4110

11

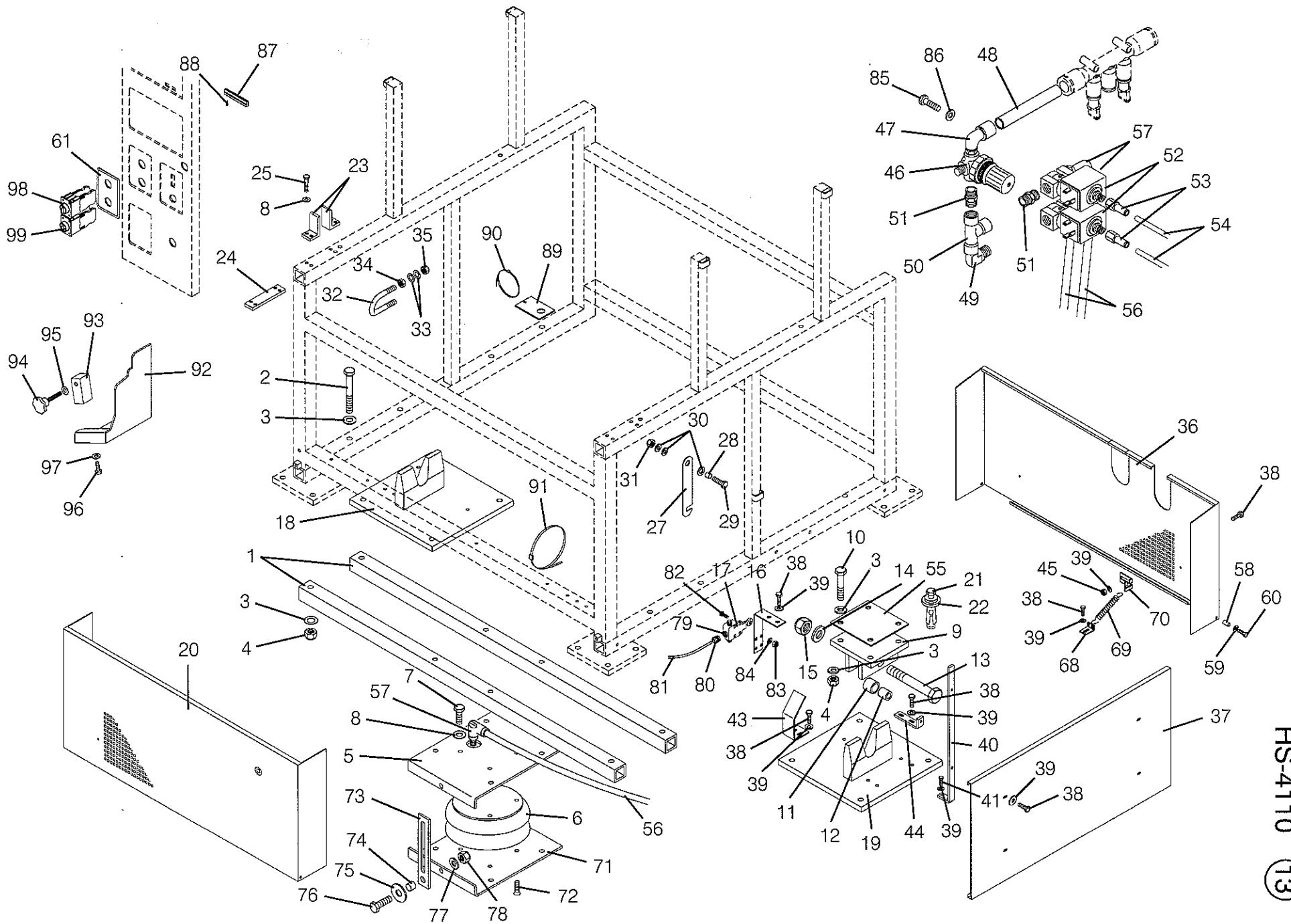
N°	REF.	DENOMINATION	DENOMINACIÓN	DÉNOMINATION
1	206037	ELECTROVALVE BRACKET	SOPORTE ELECTROVALVULA	SUPPORT ELECTROVANNE
2	146399	BICR HEX SCREW DIN933-8 M8X20	TOR.EX.DIN933-8.8 B.TRI.M 8X20	VIS HEX DIN933-8.8 BICR.M8X20
3	149518	BICR.WASHER B DIN125-ST 8,4	ARAN.B DIN125-ST B.TRI. 8,4	RONDELLE.B DIN125-ST BICR.8,4
5	150201	BICR.HEX NUT DIN 934-8 M-8	TUER.EX.DIN934-8 B.TRI.M 8	ECROU HEX.DIN 934-8 BICR.M-8
6	185678	FIG. 130 2"	FIGURA 130 DE 2" GALV.	FIG. 130 2"
7	185652	FIG. 280 2"	FIGURA 280 DE 2" GALV.	FIG. 280 2"
8	185645	VALVE BODY EVSI-50 32U7150 WBD	CUERPO VAL.EVSI-50 32U7150 WBD	CORPS VALVE EVSI-50 32U7150
	189498	SPARE KIT ECSI-50 WBD 32U1081	KIT REPUES.ECSI-50 WBD 32U1081	KIT RECHANGE ECSI-50 WBD
9	100826	VALVE COIL 42N7501 220V 50HZ (FOR 50HZ)	BOBINA VAL.42N7501 220V 50HZ (PARA 50 HZ)	BOBINE VANNE 42N7501 220V 50HZ (POUR 50 HZ)
	100834	VALVE COIL 42N7523 220V 60HZ (FOR 60HZ)	BOBINA VAL.42N7523 220V 60HZ (PARA 60 HZ)	BOBINE VANNE 42N7523 220V 60HZ (POUR 60 HZ)
10	205914	SLEEVE	MANGUITO	FRETTE
11	185660	FIG. 241 2-3/4" GALV.	FIGURA 241 DE 2-3/4" GALV.	FIG. 241 2-3/4" GALV.
12	256503	TWO TRACK ELECTROVALVE	ELECTROVALVULA DOS VIAS	ELECTROVANNE DEUX VOIES
	192054	ELECT.SERIES 300 COIL 220/240V	BOBINA ELEC.SERIE 300 220/240V	BOBINE ELEC.SERIE 300 220/240V
	300194	YELLOW CASE 30053	ESTUCHE AMARILLO 30053	BOITE JAUNE 30053
13	129403	TRIPLE ELECTROVALVE 369A 180°	ELECTROV.TRIPLE 369-A 180°	ELECTROVANNE TRIPLE 369A 180°
	192054	ELECT.SERIES 300 COIL 220/240V	BOBINA ELEC.SERIE 300 220/240V	BOBINE ELEC.SERIE 300 220/240V
	300194	YELLOW CASE 30053	ESTUCHE AMARILLO 30053	BOITE JAUNE 30053
14	214403 &	WATER INLET HOSE	TUBO ENTRADA AGUA	TUBE ENTREE EAU
15	211771 &	WATER INLET HOSE	TUBO ENTRADA AGUA	TUBE ENTREE EAU
16	117465 &	WATER INLET HOSE	TUBO ENTRADA AGUA	TUBE ENTREE EAU
17	163584 &	WATER INLET HOSE	TUBO ENTRADA AGUA	TUBE ENTREE EAU
18	214320 &	WATER INLET HOSE	TUBO ENTRADA AGUA	TUBE ENTREE EAU
19	278184	WATER INLET COLLECTOR	COLECTOR ENTRADA AGUA	COLLECTEUR ENTREE EAU
20	166652	BIC.HEX SCREW DIN933-8.8 M8X15	TOR.EX.DIN933-8.8 B.TRI.M 8X15	VIS HEX DIN933-8.8 BICR. M8X15
21	253252	DISPENSER OUTLET HOSE	TUBO SALIDA DOSIFICADOR	TUBE SORTIE BAC A PRODUITS
22	132290	CLAMP 301508-9 D50-70	ABRAZADERA 50- 70	BRIDE 301508-9 D50-70
23	255927	PLUG	TAPON	BOUCHON
24	405365	RUBBER ELBOW D73X290X120	CODO GOMA D73X290X120	COUDE GOMME D73X290X120

N°	REF.	DENOMINATION	DENOMINACIÓN	DÉNOMINATION
25	132340	CLAMP 301510-0 D80-100	ABRAZADERA 80-100	BRIDE 301510-0 D80-100
26	185173	BRASS FILTER FLT THREADED 2"	FILTRO LATON FLT ROSC. 2" 0,5	FILTRE LAITON FLT FILETE 2"
27	237404	WATER INLET SLEEVE	MANGUITO ENTRADA AGUA	FRETTE ENTREE EAU
28	186833	WATER INLET HOSE RACCORDS 2"	TUBO EPDM 2"X1500 C.RACORES	TUBE ENTREE EAU RACCORDS 2"
29	240382	GASKET D57XD42,5X3	JUNTA D57XD42,5X3	JOINT D57XD42,5X3
30	155150	CLAMP 8-16	ABRAZADERA 8- 16	BRIDE 8-16
31	206490	WATER INLET COVER (FOR 2 INLET MACHINES)	TAPA ENTRADA AGUA (PARA MODELOS 2 ENTRADAS AGUA)	COUVERCLE ENTREE EAU (POUR MACHINES 2 ENTREES)
32	185686	FIG. 90 2" GALV. (FOR 3 INLET MACHINES)	FIGURA 90 DE 2" GALV. (PARA MODELOS 3 ENTRADAS AGUA)	FIG. 90 2" GALV. (POUR MACHINES 3 ENTREES)
33	140525	CLAMP 2244-0	BRIDA UNEX 2244-0	BRIDE 2244-0
34	407858	CLAMP FIXING PIECE	FIJACION BRIDA	FIXATION BRIDE
35	192617	CLAMP	BRIDA	BRIDE
36	278218	VAPOUR OUTLET JOINTING	UNION SALIDA VAHOS	UNION SORTIE VAPEURS
37	194217	OBTURATOR HOSE	TUBO OBTURADOR	TUBE OBTURATEUR
38	140533	CLAMP 2271-0	BRIDA UNEX 2271-0	BRIDE 2271-0
			KIT TERCERA ENTRADA AGUA	
	797704	THIRD WATER INLET KIT 50HZ	KIT TERCERA ENTRADA AGUA 50HZ.	KIT TROISIEME ENTREE EAU 50HZ
	797712	THIRD WATER INLET KIT 60HZ	KIT TERCERA ENTRADA AGUA 60HZ.	KIT TROISIEME ENTREE EAU 60HZ
&	128215	1 METER HOSE EPDM D 9X17	1 METRO TUBO EPDM D 9X17	1 METRE TUBE EPDM D 9X17



N°	REF.	DENOMINATION	DENOMINACIÓN	DÉNOMINATION
		STEAM HEATING KITS (WITHOUT TILTING)	KITS CALEFACCIÓN VAPOR (SIN VOLQUETE)	KITS CHAUFFAGE VAPEUR (SANS SOCLE BASCULANT)
	796375	STEAM HEATING KIT 50HZ	KIT CAL.VAPOR 50HZ.	KIT CHAUFFAGE VAPEUR 50HZ
	796383	STEAM HEATING KIT 60HZ (WITH TILTING)	KIT CAL.VAPOR 60HZ. (CON VOLQUETE)	KIT CHAUFFAGE VAPEUR 60HZ (AVEC SOCLE BASCULANT)
	796391	STEAM HEATING KIT 50HZ SB	KIT CAL.VAPOR 50HZ.SB	KIT CHAUFFAGE VAPEUR 50HZ SB
	796409	STEAM HEATING KIT 60HZ SB	KIT CAL.VAPOR 60HZ.SB	KIT CHAUFFAGE VAPEUR 60HZ SB
1	221093	STEAM INLET BRACKET	SOPORTE ENTRADA VAPOR	SUPPORT ENTREE VAPEUR
2	146233	BICR.HEX SCREW DIN933-8 M6X15	TOR.EX.DIN933-8.8 B.TRI.M 6X15	VIS HEX DIN933-8.8 BICR.M6X15
3	149526	BICR.WASHER B DIN125-ST 6,4	ARAN.B DIN125-ST B.TRI. 6,4	RONDELLE B DIN125-ST BICR.6,4
5	150227	BICR HEX NUT DIN934-8 M6	TUER.EX.DIN934-8 B.TRI.M 6	ECROU HEX DIN934-8 BICR.M6
6	186817	GEMU VALVE	VAL.GEMU 554/25/D195-1-1-5700	VANNE GEMU
	193516	VALVE BODY SPARE KIT 554	KIT RECAMBIO CUERPO VALV.554	KIT RECHANGE CORPS VANNE 554
	193524	VALVE HEAD SPARE KIT 554	KIT RECAMBIO CABEZAL VALV.554	KIT RECHANGE TETE VANNE 554
7	129791	FIG 280 1" GALV	FIGURA 280 DE 1" GALV.	FIG 280 1" GALV
8	129577	FIG. 130 1" GALV.	FIGURA 130 DE 1" GALV.	FIG. 130 1" GALV.
9	185199	JOINTING SCREW 1"	10905 TORNILLO UNION MM1"	VIS UNION 1"
10	185348	STEAM INLET JOINTING	UNION ENTRADA VAPOR	UNION ENTREE VAPEUR
11	185165	TEIGHTNESS GASKET TYPE G	JUNTA ESTAN.TIPO G REF.1383300	JOINT ETANCHEITE TYPE G
12	219147	AIR INTAKE PLUG	TAPON TOMA AIRE	BOUCHON PRISE AIR
13	178558	SIMPLE JOINTING 1/4"RE.1050613	CONEXION RECTA 1/4" 181250628	UNION SIMPLE 1/4" REF.1050613
14	217554	STEAM AIR HOSE	TUBO AIRE VAPOR	TUBE AIR VAPEUR
15	186742	ANTIRETURN VALVE S/521	VALVULA ANTIRETORNO TS/521	VANNE ANTIRETOUR S/521
16	130666	CONIC THREADED JOINTING	405002 UNION ROSCA CONICA	UNION FILETE CONIQUE
17	186734	FLOW REGULATOR 04046100	REGULADOR CAUDAL T1000C2800	REGULATEUR DEBIT 04046100
18	186726	T CONNECTION RE. 3103.08.13	CONEXION EN T REF.3103.08.13	CONNEXION EN T REF. 3103.08.13
19	128173	NYLON HOSE D8X6 TYPE CETOP (1 METER)	TUBO NYLON D8X6 TIPO CETOP (1 METRO)	TUBE NYLON D8X6 TYPE CETOP (1 METRE)
20	186825	CONNECTION RE. 3101.08.13	CONEXION RECTA REF.3101.08.13	CONNEXION REF. 3101.08.13

N°	REF.	DENOMINATION	DENOMINACIÓN	DÉNOMINATION
21	156950	THREADED FILTER 1" 0,3 PN16	FILTRO COLAD. ROSC. 1"0,3PN16	FILTRE FILETE 1" 0,3 PN16
22	186700	ELECTROVALVE 131K03E/1865 (FOR 50HZ)	ELECT.LUC.131K03E/1865 220V/50 (PARA 50 HZ)	ELECTROVANNE 131K03E/1865 (POUR 50 HZ)
	190785	LUCIFER COIL 1865/220/50 (FOR 50HZ)	BOBINA LUCIFER 1865/220/50 (PARA 50 HZ)	BOBINE LUCIFER 1865/220/50 (POUR 50 HZ)
	186718	ELECTROVALVE 131K03E/1865 (FOR 60HZ)	ELECT.LUC.131K03E/1865 230V/60 (PARA 60 HZ)	ELECTROVANNE LUC. 131K03E/1865 (POUR 60 HZ)
	190793	LUCIFER COIL 1865/230/60 (FOR 60HZ)	BOBINA LUCIFER 1865/230/60 (PARA 60 HZ)	BOBINE LUCIFER 1865/230/60 (POUR 60 HZ)
24	146274	BICR.HEX SCREW DIN933-8 M-5X10	TOR.EX.DIN933-8.8 B.TRI.M 5X10	VIS HEX.BICR.DIN933-8.8 M-5X10
25	160838	WASHER 14X6X1,5	ARANDELA 14X6X1,5	RONDELLE 14X6X1,5
26	186825	CONNECTION RE. 3101.08.13	CONEXION RECTA REF.3101.08.13	CONNEXION REF. 3101.08.13
27	187260	FEMALE CONNECTION	CONEXION HEMBRA REF.3114.06.10	CONNEXION FEMELLE
28	128140	NYLON HOSE D6X4 TYPE CETOP (1 METER)	TUBO NYLON D6X4 TIPO CETOP (1 METRO)	TUBE NYLON D6X4 TYPE CETOP (1 METRE)
29	306134	STEAM INLET JOINTING (WITH TILTING)	UNION ENTRADA VAPOR (CON VOLQUETE)	UNION ENTREE VAPEUR (AVEC SOCLE BASCULANT)
30	185199	JOINTING SCREW 1" (WITH TILTING)	10905 TORNILLO UNION MM1" (CON VOLQUETE)	VIS UNION 1" (AVEC SOCLE BASCULANT)
31	186668	ELBOW CONNEXION REF.3109.06.13	CONEXION CODO REF.3109.06.13	CONNECTION COUDE RE.3109.06.13
32	408369	STEAM VALVE PROTECTION	PROTECCION VALVULA VAPOR	PROTECTION VANNE VAPEUR



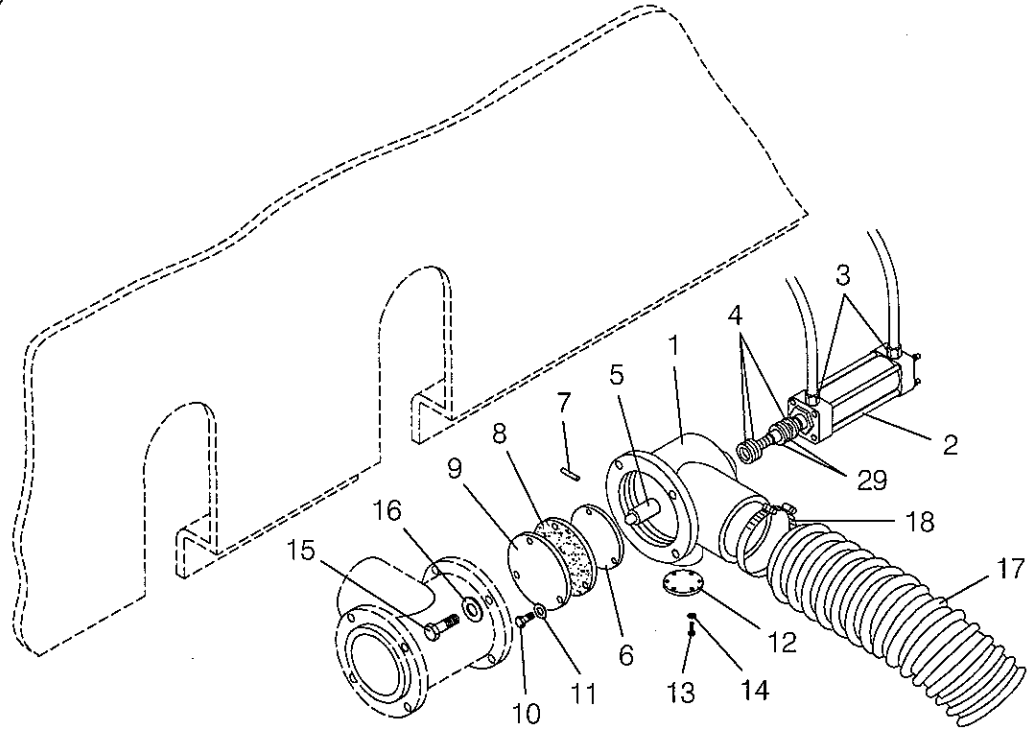
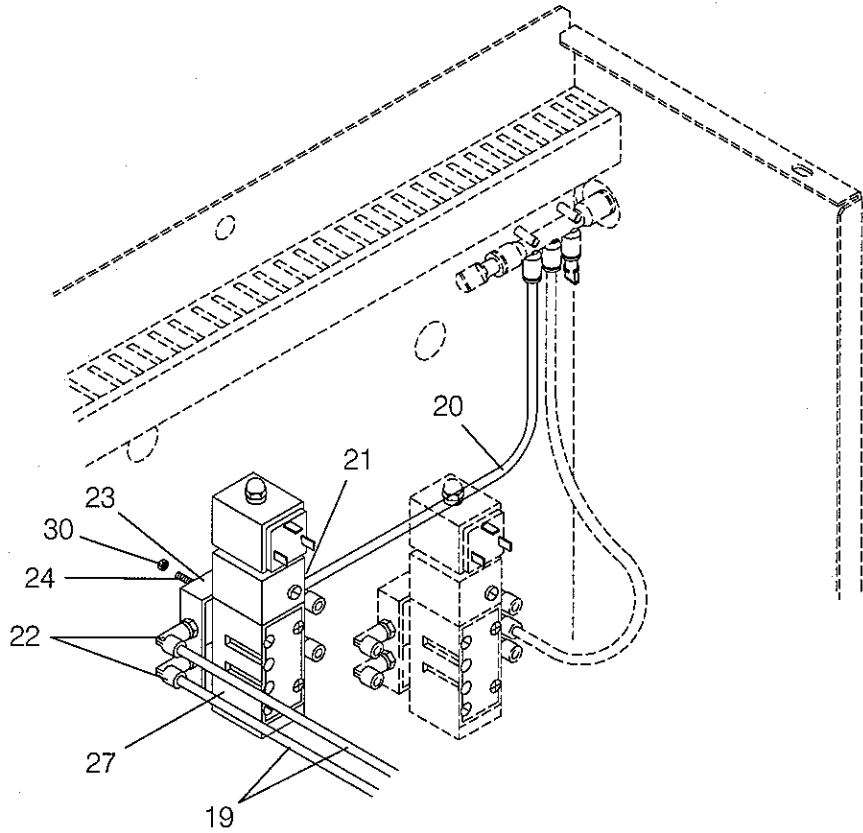
N°	REF.	DENOMINATION	DENOMINACIÓN	DÉNOMINATION
1	257071	ACTUATOR BEAM	VIGA ACTUADOR	POUTRE AGISSEMENT
2	147033	BIC.HEX SCREW DIN931-8 M14X130	TOR.EX.DIN931-88 B.TRI.M14X130	VIS HEX BICR DIN931-8 M14X130
3	149393	BICR WASHER B DIN125-ST 15	ARAN.B DIN125-ST B.TRI.15	RONDELLE B BICR DIN125-ST 15
4	164350	SELFBLOCKING NUT DIN-985 M-14	TUER.AUTOB.DIN985-8 B.TRI.M14	ECROU AUTOBLOCANT DIN985 M-14
5	293019	ACTUATOR BRACKET	MENSULA ACTUADOR	SUPPORT ACTUATEUR
6	187237	PNEUMATIC DRIVE MOD.21	ACCIONADOR NEUMATICO MOD.21	ACTIONNEMENT PNEUMATIQUE
7	148106	ZINC HEC SCREW DIN933 W3/8"X25	TOR.EX.DIN933-88B.TRI.W3/8"X25	VIS HEX ZINC DIN933 W3/8"X25
8	149500	BICR.WASHER B DIN125-ST 10,5	ARAN.B DIN125-ST B.TRI.10,5	RONDELLE B DIN125-ST BICR.10,5
9	257865	TILTING HINGE	CHARNELA BASCULANTE	CHARNIERE BASCULANT
10	176172	HEX SCREW 8G DIN 933 M-14X55	TOR.EX.DIN933-8.8 B.TRI.M14X55	VIS HEX. 8G DIN 933 M-14X55
11	187245	SELFOIL SLEEVE B11A40-50-40	COJ. SELFOIL B11A40-50-40	FRETTE SELFOIL B11A40-50-40
12	257873	ARTICULATION SLEEVE	CASQUILLO ARTICULACION	FRETTE ARTICULATION
13	146993	BIC.HEX SCREW DIN931-8 M20X100	TOR.EX.DIN931-88 B.TRI.M20X100	VIS HEX DIN931-8 BICR.M20X100
14	149427	BICR WASHER B DIN125-ST 21	ARAN.B DIN125-ST B.TRI.21	RONDELLE B BICR.DIN125-ST 21
15	186866	SELF-BLOCKING NUT DIN985 M20	TUER.AUTOBL.DIN985-8B.TRI.M20	ECROU AUTOBLOCANT DIN985 M20
16	283044	END OF COURSE BRACKET	SOPORTE FINAL DE CARRERA	SUPPORT FIN DE COURSE
17	327304	END OF COURSE M4VH 355-20ZM20	FINAL CARRERA M4VH 355-20ZM20	FIN DE COURSE M4VH 355-20ZM20
18	283184	HOLDING-DOWN PIECE	HORQUILLA ANCLAJE	PIECE SCELLEMENT
19	283242	HOLDING-DOWN PIECE	HORQUILLA ANCLAJE	PIECE SCELLEMENT
20	283143	FRONT PROTECTION COVER	TAPA PROTECCION ANTERIOR	COUVERCLE PROTECTION AVANT
21	189746	METALLIC END PIECE REIDO T-17	TACO METALICO REIDO T-17	ARRET METALLIQUE REIDO T-17
22	110726	WASHER	ARANDELA 34X13X4	RONDELLE
23	257840	SUSPENDED SET END-PIECE	TOPE GRUPO FLOTANTE	ARRET GROUPE SUSPENDU
24	257998	END-PIECE FIXING	FIJACION TOPES	FIXATION ARRETS
25	146977	HEX SCREW 8G DIN 933 M-10X35	TOR.EX.DIN933-8.8 B.TRI.M10X35	VIS HEX 8G DIN 933 M-10X35
27	258228	DOOR HOOK	GANCHO ESCOTILLA	CROCHET HUBLLOT
28	189696	SELFOIL SLEEVE B11A 6-10-5	COJ. SELFOIL B11A 6-10- 5	FRETTE SELFOIL B11A 6-10-5
29	144915	INOX HEX SCREW DIN933 M 6X25	TOR.EX.DIN933INOX A2-70 M 6X25	VIS HEX INOX DIN933 M 6X25
30	149310	INOX.A2 WASHER DIN125 6,4	ARAN. DIN125 INOX A2 6,4	RONDELLE INOX.A2 DIN125 6,4
31	176834	SELFBLOCKING NUT DIN985 M-6	TUER.AUTOBL.DIN985-8 B.TRI.M6	ECROU AUTOBLOCANT DIN985 M-6

N°	REF.	DENOMINATION	DENOMINACIÓN	DÉNOMINATION
32	258210	DOOR HOOK FIXING	SUJECCION GANCHO ESCOTILLA	FIXATION CROCHET HUBLLOT
33	149328	INOX A2 WASHER DIN 125 4,3	ARAN. DIN125 INOX A2 4,3	RONDELLE INOX A2 DIN 125 4,3
34	149922	INOX HEX. NUT DIN 934 M-4	TUER.EX.DIN934 INOX A2-70 M 4	ECROU HEX. INOX DIN 934 M-4
35	176792	INOX SELF-BLOCK.NUT DIN985 M 4	TUER.AUTOBL.DIN985 INOX M 4	ECROU AUTOBLOC.INOX DIN985 M 4
36	283168	REAR PROTECTION COVER	TAPA PROTECCION POSTERIOR	COUVERCLE PROTECTION ARRIERE
37	283176	SIDE PROTECTION COVER	TAPA PROTECCION LATERAL	COUVERCLE PROTECTION LATERAL
38	146233	BICR.HEX SCREW DIN933-8 M6X15	TOR.EX.DIN933-8.8 B.TRI.M 6X15	VIS HEX DIN933-8.8 BICR.M6X15
39	149526	BICR.WASHER B DIN125-ST 6,4	ARAN.B DIN125-ST B.TRI. 6,4	RONDELLE B DIN125-ST BICR.6,4
40	283093	SIDE PANEL BRACKET	SOPORTE TAPAS LATERALES	SUPPORT COUVERCLE LATERAL
41	146316	BICR.HEX SCREW DIN933-8 M-6X20	TOR.EX.DIN933-8.8 B.TRI.M 6X20	VIX HEX BICR.DIN933-8.8 M-6X20
43	283069	END OF COURSE DRIVE	ACCIONADOR FINAL DE CARRERA	ACCIONNEMENT FIN DE COURSE
44	283127	PANEL HINGE	CHARNELA TAPA	CHARNIERE COUVERCLE
45	150227	BICR HEX NUT DIN934-8 M6	TUER.EX.DIN934-8 B.TRI.M 6	ECROU HEX DIN934-8 BICR.M6
46	167882	PRESSURE REGULATOR R06-200	REGULADOR PRESION R07-200RNKG	REGULATEUR PRESSION R06-200
47	186627	ELBOW CONNECTION RE.3109.10.13	CONEXION CODO REF.3109.10.13	CONNEXION COUDE REF.3109.10.13
48	186635	NYLON HOSE D10X8 CETOP TYPE (1 METER)	TUBO NYLON D10X8 TIPO CETOP (1 METRO)	TUBE NYLON D10X8 TYPE CETOP (1 METRE)
49	189829	MALE ELBOW RE. 152.13.13	CODO MACHO REF.152.13.13	COUDE MALE REF. 152.13.13
50	130898	508002 RACCORD IN T	508002 RACOR EN T	508002 RACCORD EN T
51	130666	CONIC THREADED JOINTING	405002 UNION ROSCA CONICA	UNION FILETE CONIQUE
52	186700	ELECTROVALVE 131K03E/1865 (FOR 50HZ)	ELECT.LUC.131K03E/1865 220V/50 (PARA 50 HZ)	ELECTROVANNE 131K03E/1865 (POUR 50 HZ)
	190785	LUCIFER COIL 1865/220/50 (FOR 50HZ)	BOBINA LUCIFER 1865/220/50 (PARA 50 HZ)	BOBINE LUCIFER 1865/220/50 (POUR 50 HZ)
	186718	ELECTROVALVE 131K03E/1865 (FOR 60HZ)	ELECT.LUC.131K03E/1865 230V/60 (PARA 60 HZ)	ELECTROVANNE LUC. 131K03E/1865 (POUR 60 HZ)
	190793	LUCIFER COIL 1865/230/60 (FOR 60HZ)	BOBINA LUCIFER 1865/230/60 (PARA 60 HZ)	BOBINE LUCIFER 1865/230/60 (POUR 60 HZ)
53	187260	FEMALE CONNECTION	CONEXION HEMBRA REF.3114.06.10	CONNEXION FEMELLE
54	128140	NYLON HOSE D6X4 TYPE CETOP (1 METER)	TUBO NYLON D6X4 TIPO CETOP (1 METRO)	TUBE NYLON D6X4 TYPE CETOP (1 METRE)
55	259614	HOLDING-DOWN SUPPLEMENT	SUPLEMENTO ANCLAJE	SUPPLEMENT SCELLEMENT

N°	REF.	DENOMINATION	DENOMINACIÓN	DÉNOMINATION
56	128173	NYLON HOSE D8X6 TYPE CETOP (1 METER)	TUBO NYLON D8X6 TIPO CETOP (1 METRO)	TUBE NYLON D8X6 TYPE CETOP (1 METRE)
57	186692	ELBOW CONNECTION RE.3109.08.13	CONEXION CODO REF.3109.08.13	CONNEXION COUDE REF.3109.08.13
58	276527	LOCK END-PIECE	TOPE CIERRE	ARRET FERMETURE
59	115758	WASHER 20X7X2	ARANDELA 20X7X2	RONDELLE 20X7X2
60	144923	INOX HEX.SCREW DIN 933 M-6X20	TOR.EX.DIN933INOX A2-70 M 6X20	VIS HEX INOX DIN 933 M-6X20
61	302034	TILTING CONTROL PLATE	PLACA MANDOS BASCULANTE	PLAQUE COMMANDES BASCULANT
62	189761	DRIVE 3SB10 00-2DC01	MULETILLA 3SB10 00-2DC01	ACTIONNEMENT 3SB10 00-2DC01
66	189803	DRIVE 3SB10 00-2EC01	MULETILLA3SB1000-2EC01(341644)	ACTIONNEMENT 3SB10 00-2EC01
67	189811	CONNECTION ELEMENT 3SB13 00-03	ELEMENTO CONEXION 3SB13 00-0E	ELEMENT CONNEXION 3SB13 00-03
68	289116	SPRING FIXING	FIJACION MUELLE	FIXATION RESSORT
69	177329	FINGER PROTECTION SPRING	MUELLE GUARDAMANOS	RESSORTS PROTECTION DOIGTS
70	283085	SPRING FIXING-PIECE	FIJACION MUELLE	FIXATION RESSORT
71	293027	ACTUATOR BRACKET	MENSULA ACTUADOR	SUPPORT ACTUATEUR
72	304071	ALLEN SCREW SIN7991-8.8 3/8X25	TOR.AV.ALL.DIN7991-8.8 3/8X25	VIS ALLEN DIN7991-8.8 3/8X25
73	293050	ACTUATOR COURSE LIMITATOR	LIMITADOR CARRERA ACTUADOR	LIMITATUER COURSE ACTUATEUR
74	293035	SEPARATOR 22X14,5X12	SEPARADOR 22X14,5X12	SEPARATEUR 22X14,5X12
75	219071	WASHER 40X15X5	ARANDELA 40X15X5	RONDELLE 40X15X5
76	146720	BI HEX SCREW DIN-933-8.M14X40	TOR.EX.DIN933-8.8 B.TRI.M14X40	VIS HEX DIN-933-8.8 BIC.M14X40
77	149393	BICR WASHER B DIN125-ST 15	ARAN.B DIN125-ST B.TRI.15	RONDELLE B BICR DIN125-ST 15
78	150342	BICR.HEX.NUT REB.DIN934-8 M 14	TUER.EX.RB.DIN936-8 B.TRI.M14	ECROU HEX.REB DIN936-8 BIC.M14
79	327189	REDUCER M20-M16	REDUCTOR 852016 M20-M16	REDUCTEUR M20-M16
80	327270	RACCORD M16	RACOR M-16 REF.337164	RACCORD M16
81	140707	HOSE HELIPLAST NO 9 REF.77009 (1 METER)	TUBO HELIPLAST NO. 9 REF.77009 (1 METRO)	TUBE HELIPLAST NO 9 REF.77009 (1 METRE)
82	145748	SCREW DIN85 INOX A2-70 M 5X 40	TOR.PLA.DIN85 INOX A2-70 M5X45	VIS P DIN85 INOX A2-70 M 5X 40
83	176826	SELF-BLOCKING NUT DIN 985 M-5	TUER.AUTOBL.DIN985-8 B.TRI.M5	ECROU AUTOBLOCANT DIN 985 M-5
84	149534	BICR.WASHER B DIN125-ST 5,3	ARAN.B DIN125-ST B.TRI. 5,3	RONDELLE B BICR.DIN125-ST 5,3
85	146274	BICR.HEX SCREW DIN933-8 M-5X10	TOR.EX.DIN933-8.8 B.TRI.M 5X10	VIS HEX.BICR.DIN933-8.8 M-5X10
86	160838	WASHER 14X6X1,5	ARANDELA 14X6X1,5	RONDELLE 14X6X1,5
87	197301	PROTECTOR AMP-UNYT 1-640029-6	PROTECTOR AMP-UNYT 1-640029-6	PROTECTEUR AMP-UNYT 1-640029-6

N°	REF.	DENOMINATION	DENOMINACIÓN	DÉNOMINATION
88	197426	POLARIZATION AMP 640180-1	POSICIONADOR AMP 640180-1	POLARIZATION AMP 640180-1
89	258442	PRESSOSTAT HOSE BRACKET	SOPORTE TUBO PRESOSTATO	SUPPORT TUBE PRESSOSTAT
90	140525	CLAMP 2244-0	BRIDA UNEX 2244-0	BRIDE 2244-0
91	140509	CLAMP 2273-0	BRIDA UNEX 2273-0	BRIDE 2273-0
92	284950	KNOB PROTECTION	PROTECCION EMPUÑADURA	PROTECTION POIGNEE
93	284943	KNOB PROTECTION PIECE	PIEZA PROTECCION EMPUÑADURA	PIECE PROTECTION POIGNEE
94	304394	KNOB 1126.E DIN 6336.D	POMO 1126.E DIN 6336.D M8X47	POIGNEE 1126.E DIN 6336.D
95	149351	INOX A2 WASHER DIN 125 8,4	ARAN. DIN125 INOX A2 8,4	RONDELLE INOX A2 DIN 125 8,4
96	144774	INOX HEX SCREW DIN 933 M-5X10	TOR.EX.DIN933INOX A2-70 M 5X10	VIS HEX INOX DIN 933 M-5X10
97	149369	INOX A2 WASHER DIN 125 5,3	ARAN. DIN125 INOX A2 5,3	RONDELLE INOX A2 DIN 125 5,3

N°	REF.	DENOMINATION	DENOMINACIÓN	DÉNOMINATION
		FROM MACHINE N° 870.001	A PARTIR DE LA MÁQUINA N° 870.001	A PARTIR DE LA MACHINE N° 870.001
62	189761	CANCELLED	ANULADO	ANNULE
66	189803	CANCELLED	ANULADO	ANNULE
67	189811	CANCELLED	ANULADO	ANNULE
98	341644	ROTATION DIRECTION SELECTOR	SELECTOR SENTIDO GIRO	SELECTEUR SENS ROTATION
99	341651	TILTING DRIVE	ACCIONADOR BASCULANTE	ACCIONATEUR BASCULANT



U.15860

HS-4110 (14)

N°	REF.	DENOMINATION	DENOMINACIÓN	DÉNOMINATION
		SECOND DRAIN KIT	KIT 2° DESAGÜE	KIT DEUXIEME VIDANGE
	798801	SECOND DRAIN KIT 50HZ	KIT 2° DESAGÜE 50HZ. HS-.110	KIT DEUXIEME VIDANGE 50HZ
	798793	SECOND DRAIN KIT 60HZ	KIT 2° DESAGÜE 60HZ. HS-.110	KIT DEUXIEME VIDANGE 60HZ
1	258632	DRAIN BODY COVER	TAPA CUERPO DESAGÜE	COUVERCLE CORPS VIDANGE
2	186551	PNEUMATIC CYLINDER M-920/75	CILINDRO NEUM.RM-920/75	CYLINDRE PNEUMATIQUE M-920/75
	193532	KIT FOR CYLINDER M920	KIT(BOLSA C)PARA CILINDRO M920	KIT POUR CYLINDRE M920
3	186569	CONNECTION RE. 3101.06.13	CONEXION RECTA REF.3101.06.13	CONNEXION REF. 3101.06.13
4	185165	TEIGHTNESS GASKET TYPE G	JUNTA ESTAN.TIPO G REF.1383300	JOINT ETANCHEITE TYPE G
5	213520	LOCK HEAD	CABEZA DEL CIERRE	TETE DE LA FERMETURE
6	213512	DRAIN LOCK	CIERRE DESAGÜE	FERMETURE VIDANGE
7	216762	DRAIN LOCKING BOLT	PASADOR CIERRE DESAGÜE	GOUJON FERMETURE VIDANGE
8	213538	DRAIN MEMBRANE	MEMBRANA DESAGÜE	MEMBRANE VIDANGE
9	216598	MEMBRANE FIXING DISK	DISCO FIJACION MEMBRANA	DISQUE FIXATION MEMBRANE
10	144964	INOX HEX SCREW DIN 933 M-8X15	TOR.EX.DIN933INOX A2-70 M 8X16	VIS HEX INOX DIN 933 M-8X15
11	149351	INOX A2 WASHER DIN 125 8,4	ARAN. DIN125 INOX A2 8,4	RONDELLE INOX A2 DIN 125 8,4
12	258624	VAPOUR OUTLET COVER	TAPA SALIDA VAHOS	COUVERCLE SORTIE VAPEURS
13	144832	INOX.HEX.SCREW DIN 933 M-4X10	TOR.EX.DIN933INOX A2-70 M 4X10	VIS HEX INOX. DIN 933 M-4X10
14	149328	INOX A2 WASHER DIN 125 4,3	ARAN. DIN125 INOX A2 4,3	RONDELLE INOX A2 DIN 125 4,3
15	147025	HEX SCREW 8G DIN 933 M-12X30	TOR.EX.DIN933-8.8 B.TRI.M12X30	VIS HEX. 8G DIN933 M-12X30
16	149419	BICR.WASHER B DIN125-ST 13	ARAN.B DIN125-ST B.TRI.13	RONDELLE B DIN125-ST BICR.13
17	257170	DRAIN OUTLET HOSE	TUBO SALIDA DESAGÜE	TUBE SORTIE VIDANGE
18	166660	CLAMP 301819-7D131-139	ABRAZADERA 131-139	BRIDE 301819-7D131-139
19	128140	NYLON HOSE D6X4 TYPE CETOP (1 METER)	TUBO NYLON D6X4 TIPO CETOP (1 METRO)	TUBE NYLON D6X4 TYPE CETOP (1 METRE)
20	128173	NYLON HOSE D8X6 TYPE CETOP (1 METER)	TUBO NYLON D8X6 TIPO CETOP (1 METRO)	TUBE NYLON D8X6 TYPE CETOP (1 METRE)
21	186825	CONNECTION RE. 3101.08.13	CONEXION RECTA REF.3101.08.13	CONNEXION REF. 3101.08.13
22	186668	ELBOW CONNEXION REF.3109.06.13	CONEXION CODO REF.3109.06.13	CONNECTION COUDE RE.3109.06.13
23	141911	LUCIFER PLATE 6866	PLACA LUCIFER 6866	PLAQUE LUCIFER 6866
24	305037	BICR.CYL SCREW DIN84-4.8 M4X30	TOR.CIL.DIN84-4.8B.TRI.M 4X30	VIS CYL DIN84-4.8 BICR.M 4X 30

N°	REF.	DENOMINATION	DENOMINACIÓN	DÉNOMINATION
27	186676	ELECTROVALVE 341L01E/1865 (FOR 50HZ)	ELECT.LUC.341L01E/1865 220V/50 (PARA 50 HZ)	ELECTROVANNE LUC. 341L01E/1865 (POUR 50 HZ)
	190785	LUCIFER COIL 1865/220/50 (FOR 50HZ)	BOBINA LUCIFER 1865/220/50 (PARA 50 HZ)	BOBINE LUCIFER 1865/220/50 (POUR 50 HZ)
	186684	ELECTROVALVE 341L01E/1865 (FOR 60HZ)	ELECT.LUC.341L01E/1865 230V/60 (PARA 60 HZ)	ELECTROVANNE LUC.341L01E/1865 (POUR 60 HZ)
	190793	LUCIFER COIL 1865/230/60 (FOR 60HZ)	BOBINA LUCIFER 1865/230/60 (PARA 60 HZ)	BOBINE LUCIFER 1865/230/60 (POUR 60 HZ)
29	259606	WASHER 40X34X0,4	ARANDELA 40X34X0,4	RONDELLE 40X34X0,4
30	150185	BICR.HEX.NUT DIN934-8 M4	TUER.EX.DIN934-8 B.TRI.M 4	ECROU HEX.DIN934-8 BICR.M4