

MAYTAG

**Maytag
Commercial**

**Maytag
Commerical**

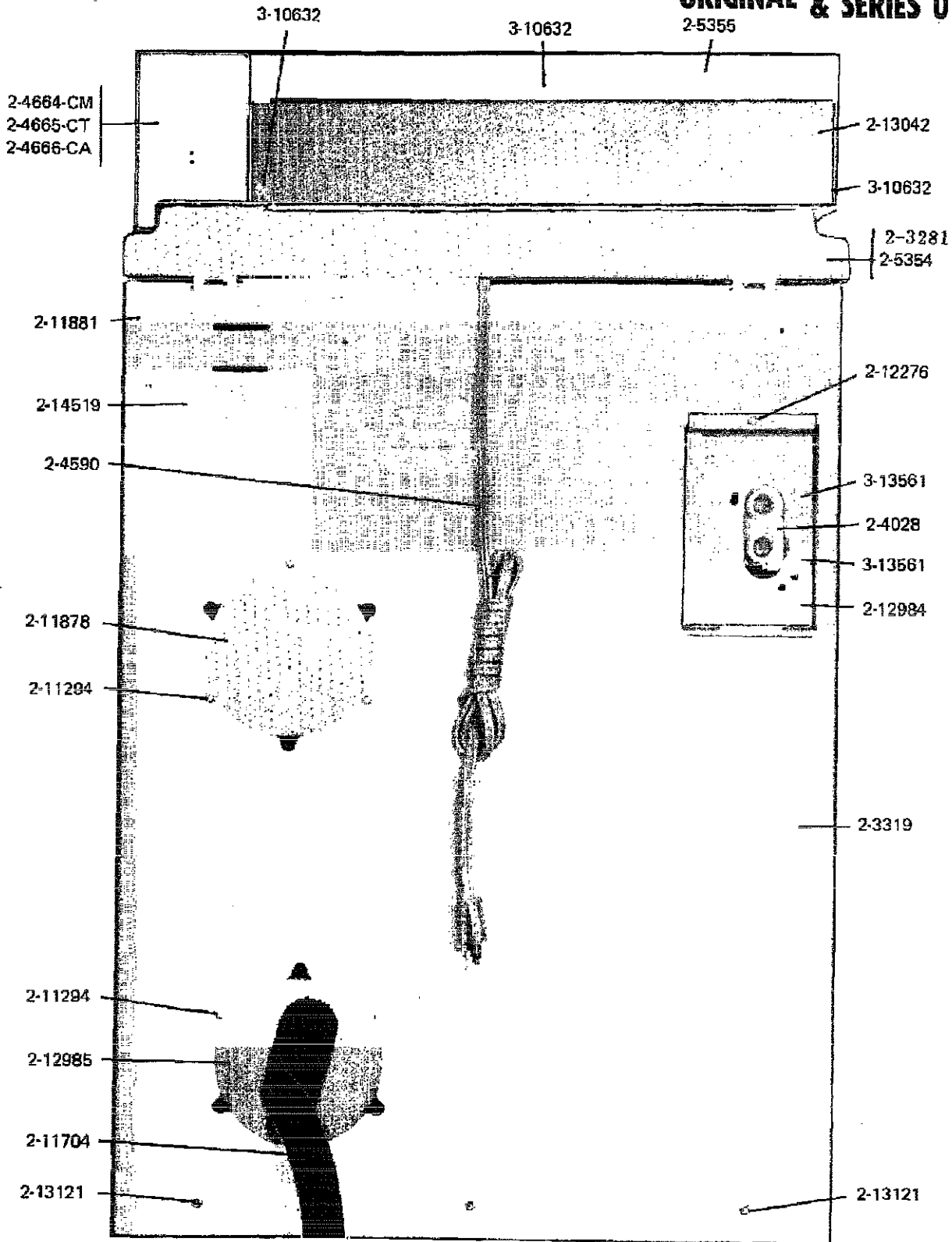
**MODEL:
A21CA**

Illustrated Parts Lookup

Parts for COMMERCIAL LAUNDRY Model "A21CA", Image Section "01 - FRONT VIEW"

Item	Part Number	Part Description	Alt Part	Series	Qty
1	205415	SWITCH, LID (W/O TUB LIGHT)	279347	01	1
2	203188	DOOR, ACCESS (WHT)		01	1
3	NLA	TOP COVER (WHT)		01	1
4	NLA	MAYTAG COIN SLIDE		01	1
5	NLA	CABINET (WHT)		01	1
6	204051	KNOB	22204051	01	1
7	204109	SIGNAL LIGHT (3 BULB)		01	1
8	204439	SCREW & FASTNER ASSEMBLY		01	1
9	204445	SCREW & FASTENER ASSEMBLY		01	1
10	NLA	CONTROL CENTER (WHT)		01	-
11	NLA	CONTROL CENTER (WHT)		01	-
12	NLA	CONTROL CENTER (WHT)		01	1
13	204968	PLUNGER & BRACKET ASSEMBLY--W		01	1
14	NLA	COIN SLIDE		01	1
15	NLA	COIN SLIDE		01	1
16	205353	SWITCH, TEMPERATURE		01	1
17	NLA	TOP COVER (WHT)		01	1
18	NLA	CONTROL COVER (WHT)		01	1
19	NLA	CONTROL PANEL W/LENS		01	1
20	210385	NUT, LOCK		01	1
21	210684	FOOT, RUBBER		01	1
22	211726	HINGE, BALL		01	1
23	212519	SCREW (No.8-32 X 1/4")		01	1
24	212716	BUMPER, LID		01	1
25	212998	FRONT PANEL (WHT)	216078	01	1
26	213007	SCREW, CABINET		01	1
27	NLA	GASKET, CONTROL CENTER		01	-
28	NLA	GASKET, CONTROL CENTER		01	1
29	213099	LENS, CONTROL PANEL		01	1
30	213949	SCREW (No.8-18 X 5/16")		01	1
31	214610	BUMPER, LID		01	1
32	NLA	LID (WHT)		01	1
33	Y302699	LEG, ADJUSTABLE (W/NUT)---S	22003428	01	1
34	214650	SCREW, KNOB		01	1
35	214901	LID (WHT)		01	1
36	212982	FASTENER, PANEL	22001650	01	1

REAR VIEW
ORIGINAL & SERIES 01



Illustrated Parts Lookup

Parts for COMMERCIAL LAUNDRY Model "A21CM", Image Section "02 - REAR VIEW"

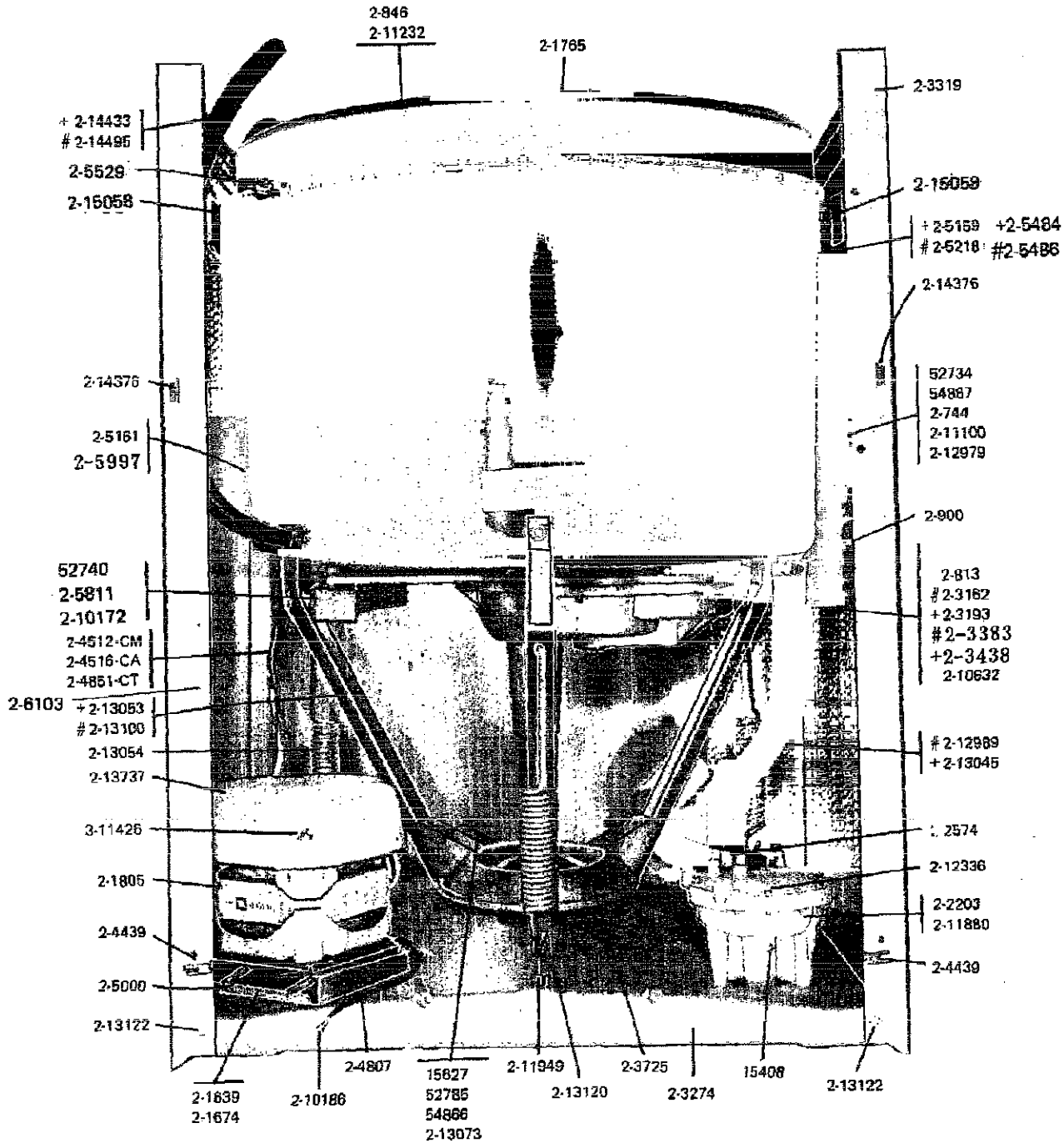
Item	Part Number	Part Description	Alt Part	Series	Qty
1	NLA	TOP COVER (WHT)			1
2	NLA	CABINET (WHT)			1
3	204028	WATER VALVE W/SOLENOIDS	205613		1
4	204590	POWER CORD			1
5	NLA	CONTROL CENTER (WHT)			1
6	NLA	CONTROL CENTER (WHT)			-
7	NLA	CONTROL CENTER (WHT)			-
8	NLA	TOP COVER (WHT)			1
9	NLA	CONTROL COVER (WHT)			1
10	210186	SCREW, GROUND WIRE	3370225		1
11	211294	SCREW			1
12	211704	HOSE, DRAIN			1
13	NLA	PLATE, ACCESS			1
14	211881	GROMMET, CORD			1
15	212276	SCREW	W10116760		1
16	NLA	PLATE, VALVE MOUNTING			1
17	212985	PLATE, ACCESS (W/HOLE)	22002924		1
18	213042	PANEL, BACK			1
19	213121	SCREW			1
20	214519	LABEL, ELECTRICAL INSTRUCTION			1
21	Y310632	SCREW	1163839		1
22	Y313561	SCREW----NA			1

6

SPECIFY COLOR IF OTHER THAN WHITE

MODELS A21-A22

FRONT PANEL REMOVED
ORIGINAL & SERIES 01



Illustrated Parts Lookup

Parts for COMMERCIAL LAUNDRY Model "A21CM", Image Section "03 - FRONT PANEL REMOVED"

Item	Part Number	Part Description	Alt Part	Series	Qty
1	Y052740	NUT		01	1
2	Y015408	SCREW, BEARING INSERT	22003235	01	1
3	Y015627	SCREW, HEX HD CAP 5/16 X 5/8		01	1
4	Y052734	NUT, BRACE (TUB)		01	1
5	Y052785	NUT, BRACE (DAMPER)		01	1
6	NLA	CAP SCREW (3/8-16 X 1)		01	1
7	Y054866	LOCK WASHER	486009	01	1
8	Y054867	WASHER, LOCK		01	1
9	200744	BOLT & GASKET ASSEMBLY (SHORT)		01	1
10	NLA	GEAR CASE COVER ASSEMBLY		01	1
11	200846	CLAMP, TUB COVER		01	1
12	200900	CLAMP, SPRAY ARM HOSE	99002468	01	1
13	201639	MOTOR MOUNT (UPR)		01	1
14	201674	MOTOR MOUNT (LWR)		01	1
15	201765	TUB COVER		01	1
16	201805	MOTOR (ONE SPEED)	12002351	01	1
17	202203	PUMP AS PAK	6-2022030	01	1
18	202574	CLAMP, HOSE	3367052	01	1
19	Y202734	BUMPER	215058	01	1
20	NLA	GEAR HOUSING W/STUDS & TUBE		01	1
21	203193	PART NOT USED			
	NLA	GEAR HOUSING W/STUDS & TUBE		01	-
22	203274	BASE W/DAMPER PADS		01	1
23	NLA	CABINET (WHT)		01	1
24	203438	TRANSMISSION & CENTER ASSY. PART NOT USE	W10172457	01	-
25	203725	DAMPER W/BOLT & CLIP		01	1
26	203383	TRANSMISSION & CENTER ASSY.	W10172458	01	1
27	204439	SCREW & FASTNER ASSEMBLY		01	1
28	NLA	WIRE HARNESS, MAIN		01	1
29	NLA	WIRE HARNESS, MAIN		01	-
30	205484	TUB, OUTER PART NOT USED		01	-
31	205486	TUB, OUTER		01	1
32	206103	CAPACITOR KIT		01	1
33	205997	NON-BLEACH CONVERSION KIT		01	1
34	205529	TUB CLAMP NUT & BOLT KIT		01	1
35	NLA	COUNTERWEIGHT		01	1
36	204807	GROUND WIRE, SUPPORT PLATE		01	1
37	NLA	WIRE HARNESS, MAIN		01	-
38	205000	GLIDE & SPRING KIT		01	1
39	205159	TUB, OUTER PART NOT USED	205484	01	-
40	205161	CLAMP, BLEACH HOSE (TUB)	489503	01	1
41	205218	OUTER TUB ASSEMBLY	205486	01	1
42	NLA	LOCK WASHER		01	1
43	210186	SCREW, GROUND WIRE	3370225	01	1
44	210632	GASKET	22210632	01	1
45	NLA	COUNTERWEIGHT		01	1
46	211100	WASHER, CUSHION		01	1
47	211232	SEAL		01	1

Illustrated Parts Lookup

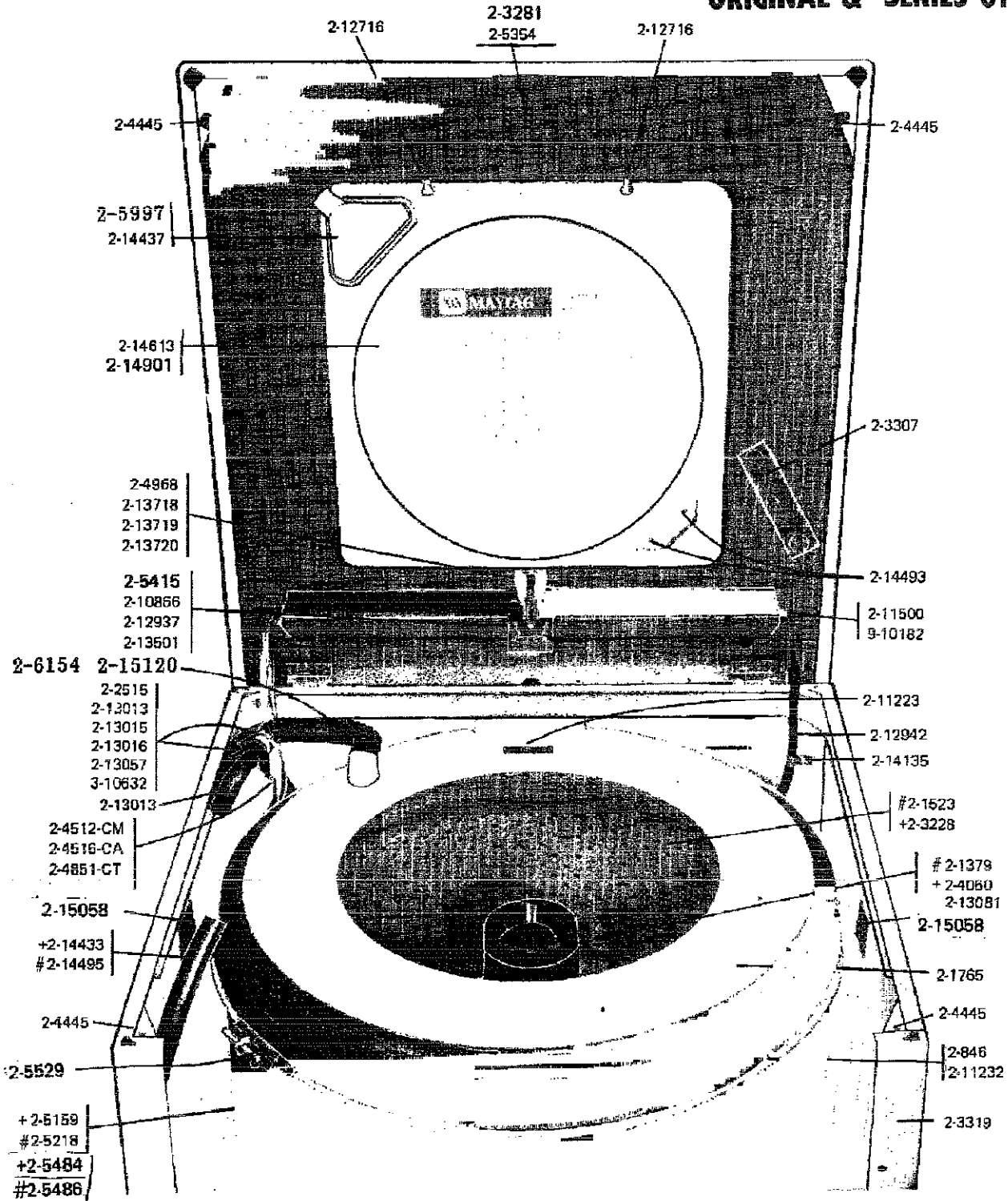
Parts for COMMERCIAL LAUNDRY Model "A21CM", Image Section "03 - FRONT PANEL REMOVED"

Item	Part Number	Part Description	Alt Part	Series	Qty
48	211880	SCREW (HEX HD No.10 X 1/2")		01	1
49	211949	NUT, EYEBOLT		01	1
50	NLA	SCREW (No.8 X 3/4")		01	1
51	212979	WASHER, TUB BRACE		01	1
52	Y212989	HOSE, OUTER TUB (PUMP)		01	1
53	213045	HOSE, OUTER TUB (PUMP) PART NOT USED		01	-
54	213053	BRACE, TUB PART NOT USED		01	-
55	213054	SPRING, CENTERING		01	1
56	213073	WASHER, DOUBLE		01	1
57	213100	BRACE, TUB		01	1
58	213120	EYE BOLT, CENTER SPRING	216416	01	1
59	213122	SCREW, CABINET		01	1
60	213737	SHIELD, MOTOR (POLY)		01	1
61	214376	SPACER, FRONT PANEL	22002331	01	1
62	214433	TUBE, INLET (TUB) PART NOT USED		01	-
63	214495	TUBE, INLET (TUB)		01	1
64	Y311426	KEPS NUT, MOTOR BASE		01	1

SPECIFY COLOR IF OTHER THAN WHITE

MODELS A21-A22

**TOP COVER UP
ORIGINAL & SERIES 01**



PARTS FOR A21 ONLY
+ PARTS FOR A22 ONLY

Illustrated Parts Lookup

Parts for COMMERCIAL LAUNDRY Model "A21CM", Image Section "04 - TOP COVER UP"

Item	Part Number	Part Description	Alt Part	Series	Qty
1	200846	CLAMP, TUB COVER		01	1
2	201379	AGITATOR (BLK)		01	1
3	NLA	TUB, INNER		01	1
4	201765	COVER, TUB		01	1
5	202515	CLAMP, HOSE (1-1/16")	596669	01	1
6	215058	PAD, CABINET BUMPER		01	1
7	205415	SWITCH, LID (W/O TUB LIGHT)	279347	01	1
8	203228	TUB, INNER PART NOT USED	207831	01	-
9	NLA	STRAP, MOUNTING		01	1
10	NLA	CABINET (WHT)		01	1
11	204060	AGITATOR (BLK) PART NOT USED		01	-
12	204445	SCREW & FASTENER ASSEMBLY		01	1
13	NLA	WIRE HARNESS, MAIN		01	1
14	NLA	WIRE HARNESS, MAIN		01	-
15	NLA	WIRE HARNESS, MAIN		01	-
16	204968	PLUNGER & BRACKET ASSEMBLY--W		01	1
17	205159	TUB, OUTER PART NOT USED	205484	01	-
18	205218	OUTER TUB ASSEMBLY	205486	01	1
19	NLA	TOP COVER (WHT)		01	1
20	210866	NUT, TWIN SPEED		01	1
21	211223	BUMPER, UNBALANCE		01	1
22	211232	SEAL		01	1
23	211500	WASHER, BRACKET		01	1
24	211726	HINGE, BALL		01	1
25	212716	BUMPER, LID		01	1
26	212937	BARRIER, MOISTURE		01	1
27	212942	AIR DOME & TUBE	22001619	01	1
28	213013	HOSE, INJECTOR		01	1
29	213015	NOZZLE, INJECTOR		01	1
30	213016	VALVE, INJECTOR	216201	01	1
31	213055	TUBE, INJECTOR	206154	01	1
32	213057	SLEEVE, INJECTOR	22213057	01	1
33	213081	CAP, DISPENSER (BLK)		01	1
34	213501	SCREW (No.6-20 X 1-1/8")		01	1
35	Y312718	WIRE, CRATE		01	1
36	213719	LEVER, UNBALANCE		01	1
37	213720	SPRING		01	1
38	214135	CLIP, FASTENER		01	1
39	214433	TUBE, INLET (TUB) PART NOT USED		01	-
40	214437	INLET, BLEACH	215577	01	1
41	214493	RIVET (PLASTIC)	59920-2	01	1
42	214495	TUBE, INLET (TUB)		01	1
43	NLA	LID (WHT)		01	1
44	Y310632	SCREW	1163839	01	1
45	910182	SCREW	25-7809	01	1
46	NLA	TOP COVER (WHT)		01	1
47	205484	TUB, OUTER PART NOT USED		01	-
48	205486	TUB, OUTER		01	1

Illustrated Parts Lookup

Parts for COMMERCIAL LAUNDRY Model "A21CM", Image Section "04 - TOP COVER UP"

Item	Part Number	Part Description	Alt Part	Series	Qty
49	205529	TUB CLAMP NUT & BOLT KIT		01	1
50	214901	LID (WHT)		01	1
51	205997	NON-BLEACH CONVERSION KIT		01	1
52	206154	INJECTOR TUBE W/SEAL		01	1
53	215120	SEAL, INJECTOR TUBE		01	1

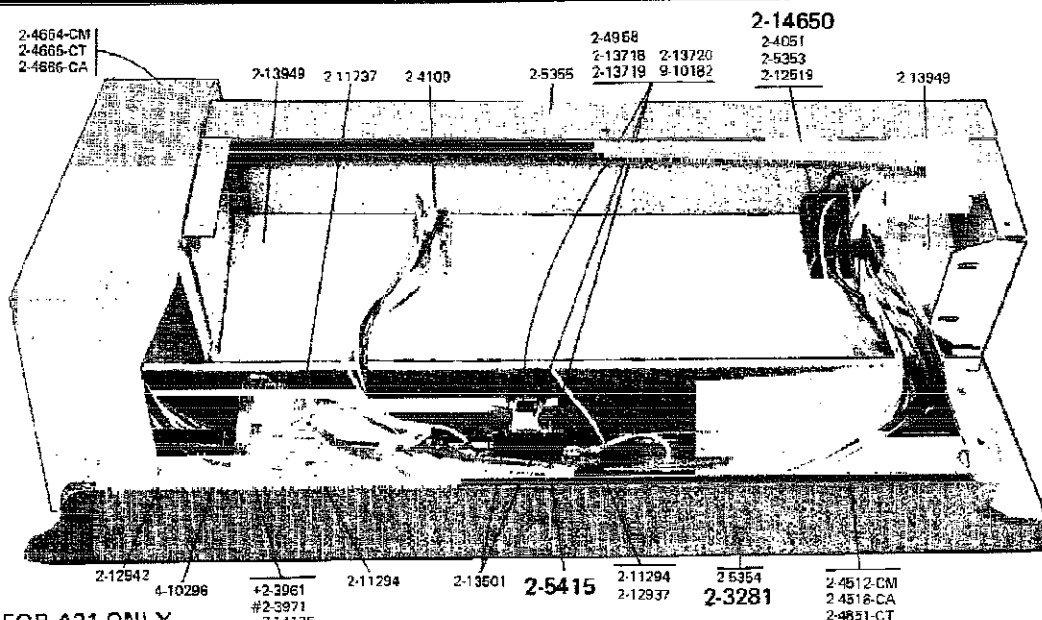
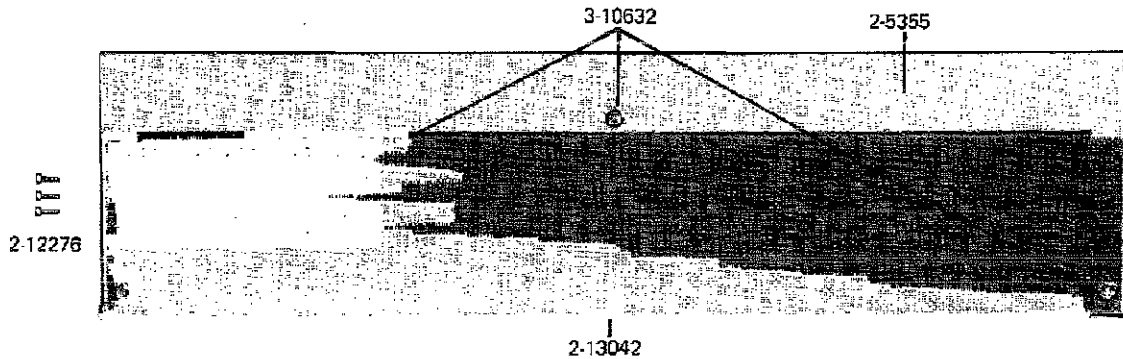
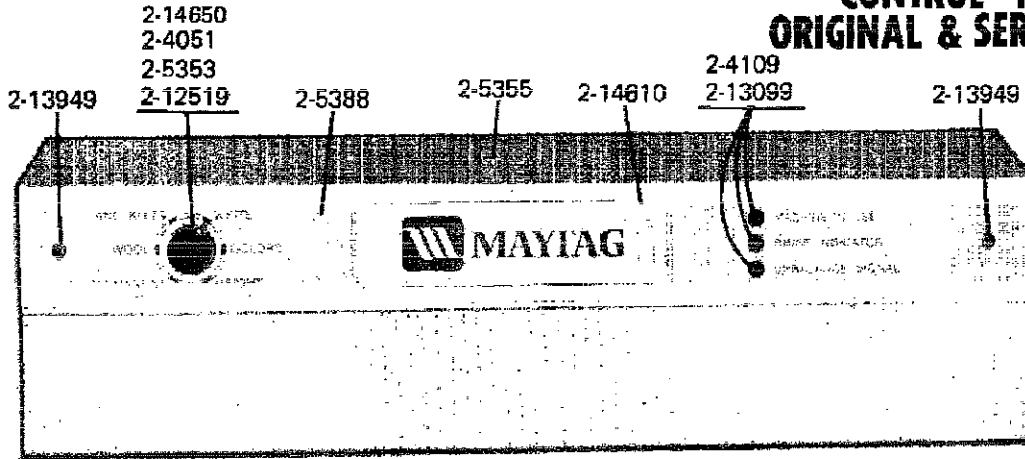
Illustrated Parts Lookup - A21CM, 05 - CONTROL PANEL

10

MODELS A21-A22

SPECIFY COLOR IF OTHER THAN WHITE

**CONTROL PANEL
ORIGINAL & SERIES 01**



PARTS FOR A21 ONLY
+ PARTS FOR A22 ONLY

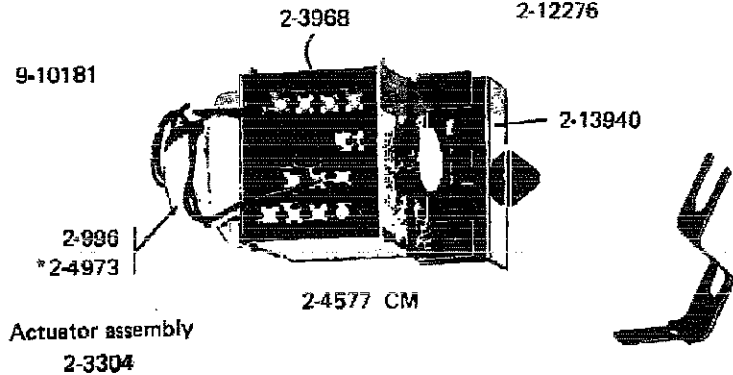
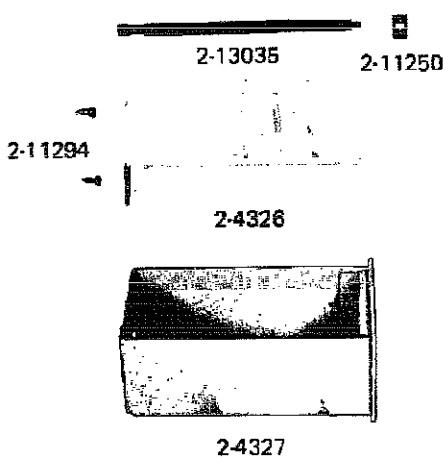
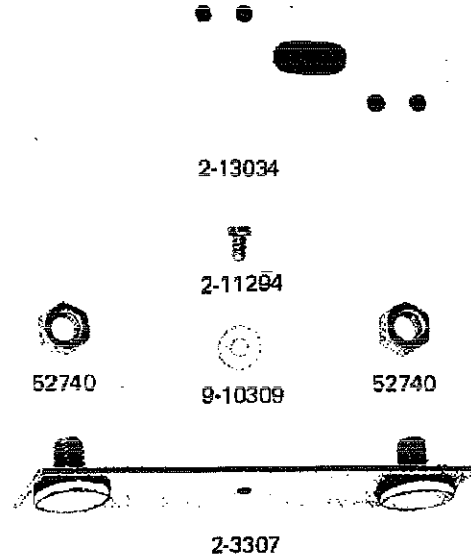
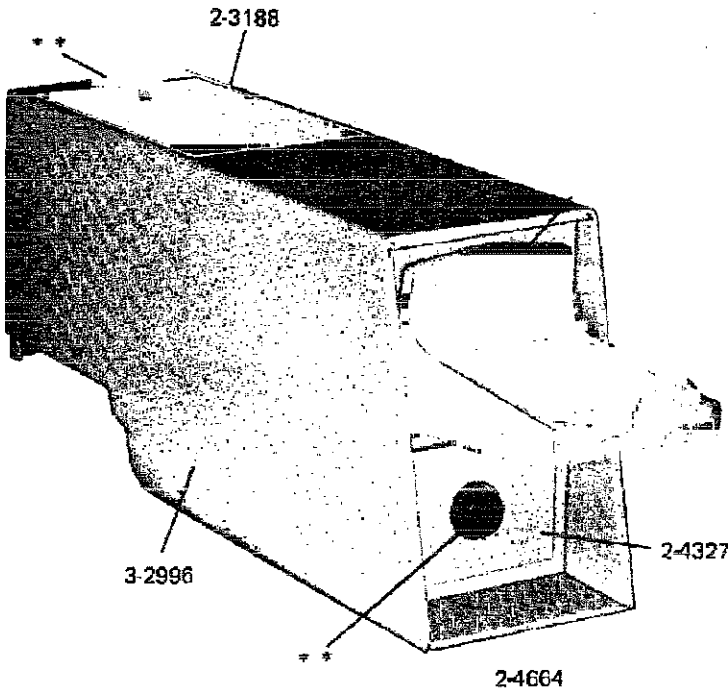
Illustrated Parts Lookup

Parts for COMMERCIAL LAUNDRY Model "A21CM", Image Section "05 - CONTROL PANEL"

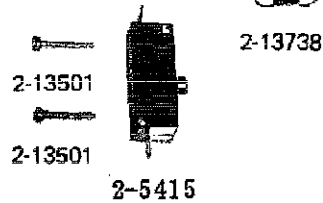
Item	Part Number	Part Description	Alt Part	Series	Qty
1	NLA	COVER, TOP (WHT)		01	1
2	205415	SWITCH, LID (W/O TUB LIGHT)	279347	01	1
3	203961	SWITCH, PRESSURE PART NOT USED	22004474	01	-
4	203971	SWITCH, PRESSURE	203970	01	1
5	204051	KNOB	22204051	01	1
6	204109	LIGHT, SIGNAL (3 BULB)		01	1
7	NLA	WIRE HARNESS, MAIN		01	1
8	NLA	WIRE HARNESS, MAIN		01	-
9	NLA	CENTER, CONTROL (WHT)		01	1
10	NLA	CENTER, CONTROL (WHT)		01	-
11	NLA	CENTER, CONTROL (WHT)		01	-
12	NLA	WIRE HARNESS, MAIN		01	-
13	204968	PLUNGER & BRACKET ASSEMBLY--W		01	1
14	205353	SWITCH, TEMPERATURE		01	1
15	NLA	TOP COVER (WHT)		01	1
16	NLA	WIRE HARNESS, MAIN		01	1
17	NLA	CONTROL PANEL W/LENS		01	1
18	211294	SCREW		01	1
19	211737	WIRE CONNECTOR	7405P100-60	01	1
20	212276	SCREW	W10116760	01	1
21	212519	SCREW (No.8-32 X 1/4")		01	1
22	212937	BARRIER, MOISTURE		01	1
23	212942	AIR DOME & TUBE	22001619	01	1
24	213042	PANEL, BACK		01	1
25	213099	LENS, CONTROL PANEL		01	1
26	213501	SCREW (No.6-20 X 1-1/8")		01	1
27	213718	PLUNGER, LID SWITCH		01	1
28	213719	LEVER, UNBALANCE		01	1
29	213720	SPRING		01	1
30	213949	SCREW (No.8-18 X 5/16")		01	1
31	214135	CLIP, FASTENER		01	1
32	214610	BUMPER, LID		01	1
33	Y310632	SCREW	1163839	01	1
34	410296	CLAMP, WATER LEVEL SWITCH TUBE	596669	01	1
35	910182	SCREW	25-7809	01	1
36	214650	SCREW, KNOB		01	1

SPECIFY COLOR IF OTHER THAN WHITE

**MODELS A21-A22
CM CONTROL CENTER**



Actuator assembly
2-3304



*2-4973 Timer motor for 2-4577 timer with Blue band escapement. NOTE: Blue band escapement not available.

** CONTACT YOUR COMMERCIAL LAUNDRY DISTRIBUTOR FOR KEYS, LOCKS, TICKETS, TICKET DISPENSERS AND CONTROL CENTERS.

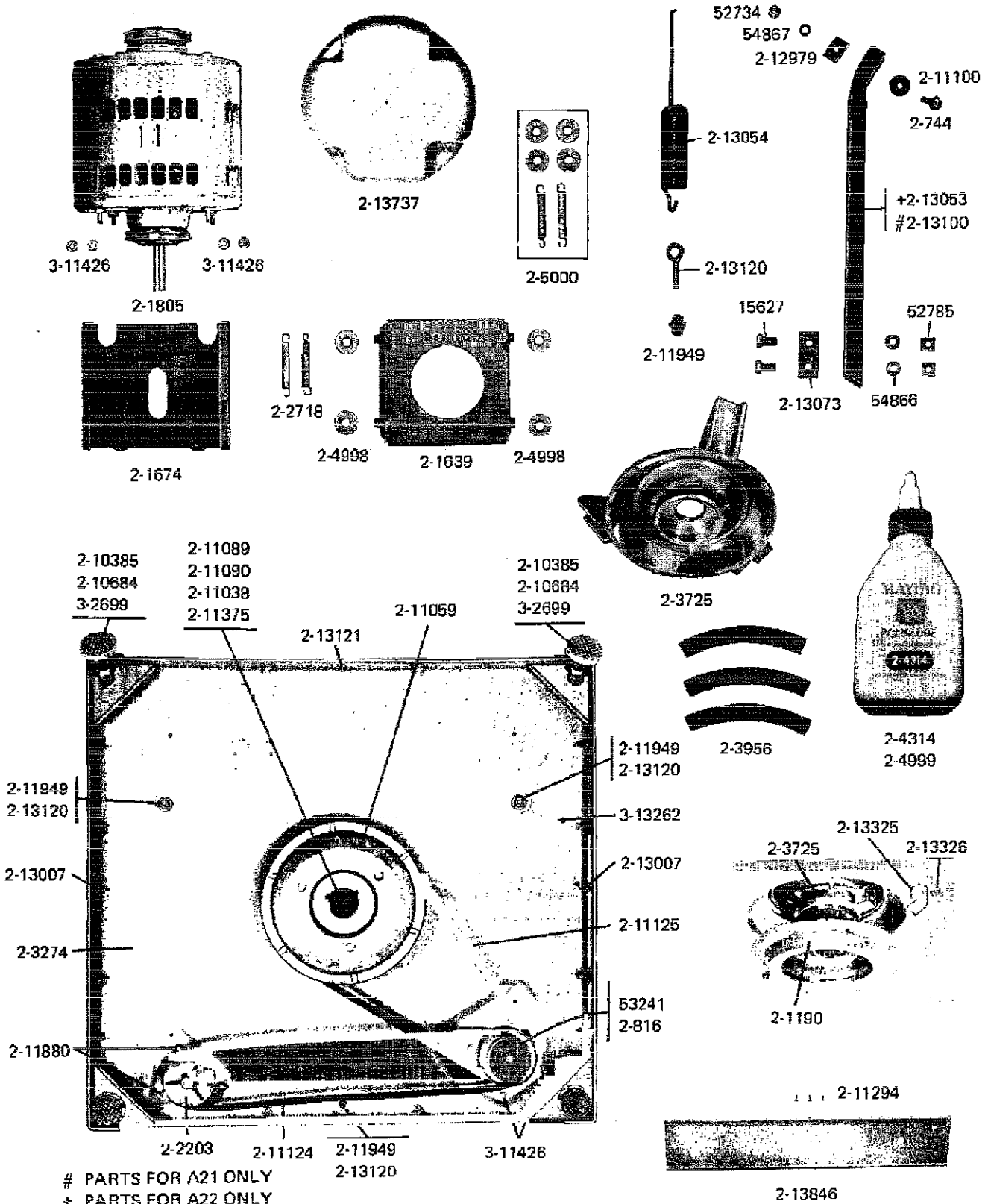
Illustrated Parts Lookup

Parts for COMMERCIAL LAUNDRY Model "A21CM", Image Section "06 - CM CONTROL CENTER"

Item	Part Number	Part Description	Alt Part	Series	Qty
1	Y052740	NUT		00	1
2	NLA	MOTOR, TIMER		00	1
3	205415	SWITCH, LID (W/O TUB LIGHT)	279347	00	1
4	203188	DOOR, ACCESS (WHT)		00	1
5	NLA	WASHER SLIDES ACTUATOR KIT		00	1
6	NLA	STRAP, MOUNTING		00	1
7	203761	DOOR, ACCESS (WHT)		00	1
8	203761	DOOR, ACCESS (WHT)		00	1
9	NLA	SWITCH HARNESS, TIMER		00	1
10	NLA	LATCH, ANTI-INERTIA		00	1
11	NLA	RELAY (240-50)		00	1
12	NLA	BOX, COIN (WHT)		00	1
13	NLA	WIRE HARNESS, MAIN		00	1
14	204577	TIMER (W/KNOB & PIN)		00	1
15	NLA	CENTER, CONTROL (WHT)		00	1
16	204973	MOTOR, TIMER		00	1
17	NLA	COUNTER KIT W/ACTUATOR		00	1
18	211294	SCREW		00	1
19	NLA	FASTENER		00	1
20	211294	SCREW		00	1
21	212276	SCREW	W10116760	00	1
22	NLA	GASKET, CONTROL CENTER		00	1
23	213035	BOLT, LOCKING		00	1
24	213501	SCREW (No.6-20 X 1-1/8")		00	1
25	NLA	SPRING WASHER, LOCK		00	1
26	212951	SCREW (No.6-32 X 1/4")		00	1
27	NLA	RETURN SPRING, TENSION LEVER		00	1
28	NLA	LEVER ARM, SWITCH		00	1
29	NLA	MOUNTING BRACKET, TIMER		00	1
30	NLA	CASE, OUTER (WHT)		00	1
31	NLA	SCREW, RETAINER		00	1
32	910181	LOCK WASHER		00	1

MODELS A21-A22

MOTOR MOUNT, BASE FRAME & CENTERING SPRINGS



Illustrated Parts Lookup

Parts for COMMERCIAL LAUNDRY Model "A21CM", Image Section "07 - MOTOR MOUNT, BASE FRAME & CENTERING SPRS"

Item	Part Number	Part Description	Alt Part	Series	Qty
1	Y015627	SCREW, HEX HD CAP 5/16 X 5/8			1
2	Y052734	NUT, BRACE (TUB)			1
3	Y052785	NUT, BRACE (DAMPER)			1
4	Y053241	SET SCREW, PULLEY			1
5	Y054866	LOCK WASHER	486009		1
6	Y054867	WASHER, LOCK			1
7	200744	BOLT & GASKET ASSEMBLY (SHORT)			1
8	200816	PULLEY, MOTOR (W/SET SCREW)	6-2008160		1
9	201190	PACKAGE, BRAKE	6-2011900		1
10	201639	MOTOR MOUNT (UPR)			1
11	201674	MOTOR MOUNT (LWR)			1
12	201805	MOTOR (ONE SPEED)	12002351		1
13	202203	PUMP AS PAK	6-2022030		1
14	202718	SPRINGS, TENSION			1
15	203274	BASE W/DAMPER PADS			1
16	203725	DAMPER W/BOLT & CLIP			1
17	203956	DAMPER PAD KIT (W/POLY LUBE)			1
18	204314	POLY LUBE (4 OZ)			1
19	204590	CORD, POWER			1
20	Y204998	GLIDE KIT (4 W/POLY LUBE)	205000		1
21	204999	POLY-LUBE GREASE (3.5 GRAMS)			1
22	205000	GLIDE & SPRING KIT			1
23	210385	NUT, LOCK			1
24	210684	FOOT, RUBBER			1
25	NLA	CAP, OIL RETAINER			1
26	211043	DRUM, BRAKE	6-2011900		1
27	211045	HOUSING, BRAKE	6-2011900		1
28	211059	PULLEY, DRIVE	6-2301530		1
29	211089	LUG, STOP			1
30	211090	WASHER, LOCK	22003555		1
31	211100	WASHER, CUSHION			1
32	211124	V BELT, PUMP			1
33	211125	V BELT, DRIVE PULLEY			1
34	211294	SCREW			1
35	211375	SCREW, STOP LUG	681582		1
36	211880	SCREW (HEX HD No.10 X 1/2")			1
37	211949	NUT, EYEBOLT			1
38	212979	WASHER, TUB BRACE			1
39	213007	SCREW, CABINET			1
41	213054	SPRING, CENTERING			3
42	213073	WASHER, DOUBLE			1
43	213100	BRACE, TUB			1
44	213120	EYE BOLT, CENTER SPRING	216416		1
45	213121	SCREW			1
46	213325	RETAINER CLIP, DAMPER			1
47	213326	BOLT, RETAINING CLIP			1
48	213737	SHIELD, MOTOR (POLY)			1
49	213846	GUARD, BELT			1

Illustrated Parts Lookup

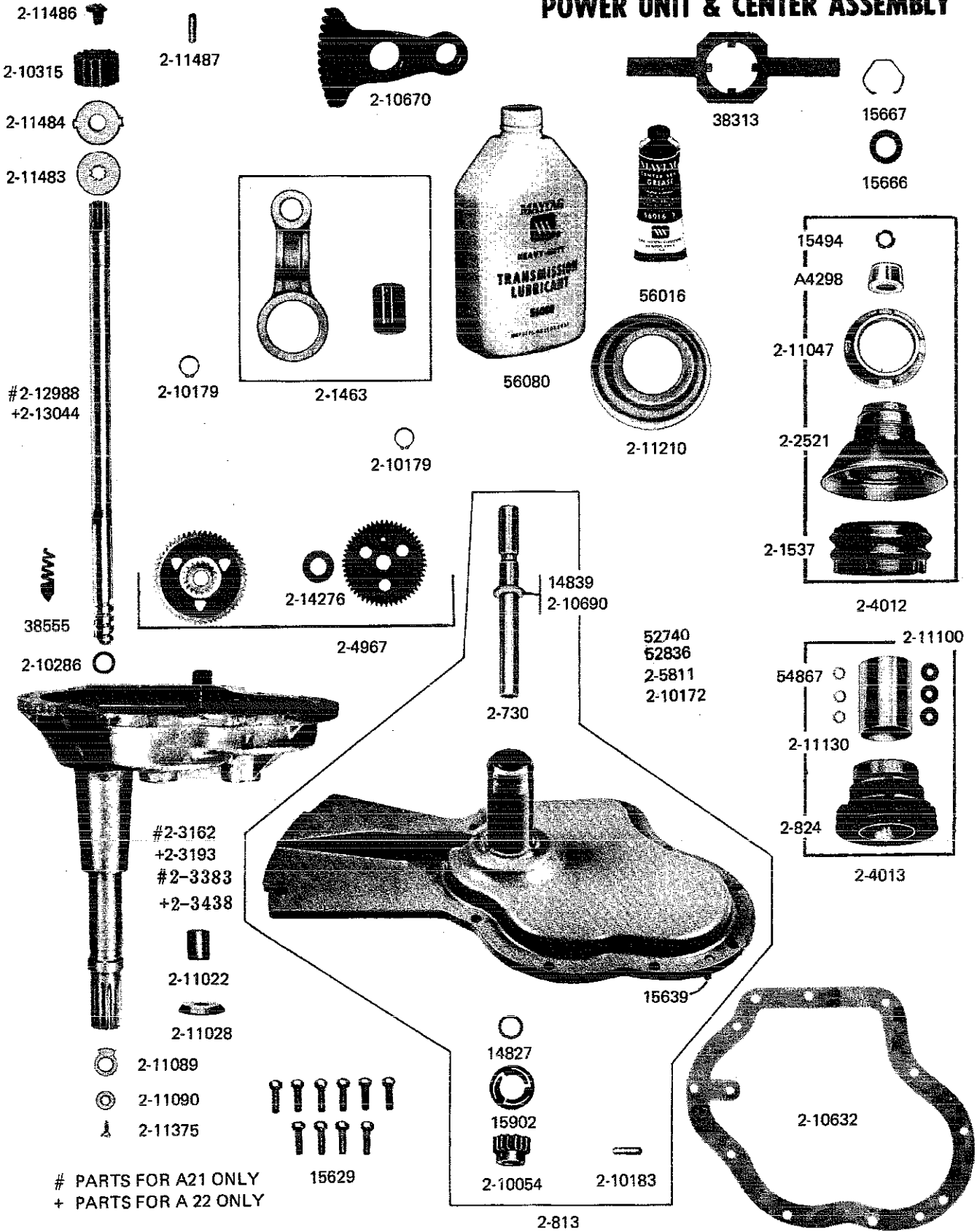
Parts for COMMERCIAL LAUNDRY Model "A21CM", Image Section "07 - MOTOR MOUNT, BASE FRAME & CENTERING SPRS"

Item	Part Number	Part Description	Alt Part	Series	Qty
50	Y302699	LEG, ADJUSTABLE (W/NUT)---S	22003428		1
51	Y311426	KEPS NUT, MOTOR BASE			1
52	Y313262	RETAINER, WIRE HARNESS	W10116752		1

MODELS A21-A22

POWER UNIT & CENTER ASSEMBLY

22



PARTS FOR A21 ONLY
+ PARTS FOR A22 ONLY

Illustrated Parts Lookup

Parts for COMMERCIAL LAUNDRY Model "A21CM", Image Section "08 - POWER UNIT & CENTER ASSEMBLY"

Item	Part Number	Part Description	Alt Part	Series	Qty
1	Y0A4298	SEAL, AGITATOR DRIVE SHAFT	6-0A57420		1
2	Y014792	COIL SPRING, CENTER SEAL	6-0A57420		1
3	Y014827	WASHER, CENTER SHAFT			1
4	Y014839	COLLAR, DRIVE SHAFT			1
5	Y015149	BRASS WASHER, AGITATOR SEAL			1
6	Y015494	STOP RING, AGITATOR SHAFT			1
7	Y015629	BOLT, GRINDING CHAMBER			1
8	NLA	PIN, DOWEL			1
9	Y015666	WASHER, RETAINING			1
10	Y015667	RETAINING RING			1
11	Y015902	SPRING, AGITATOR			1
12	038313	WRENCH, SPANNER			1
13	Y038555	TOOL, INSTALL CENTER SHAFT			1
14	Y054867	WASHER, LOCK			1
15	Y056016	CENTER SEAL GREASE (4 OZ TUBE)			1
16	Y056080	TRANS LUBE (AUTO, 34 OZ.)	6-0560800		1
17	200730	AGITATOR SHAFT	22002124		1
18	NLA	GEAR CASE COVER ASSEMBLY			1
19	200824	BEARING, TUB	6-2040130		1
20	NLA	PITMAN W/WRIST PIN			1
21	201537	SEAL & SPRING	6-2095720		1
22	202521	MOUNTING STEM	6-2095720		1
23	NLA	GEAR HOUSING W/STUDS & TUBE			1
26	204012	MOUNTING STEM REPAIR KIT	6-2095720		1
27	204013	TUB BEARING REPAIR KIT	6-2040130		1
28	204437	POWER UNIT (W/FAST GEARS)	W10172458		1
29	204967	POWER FIN AGITATOR GEAR KIT			1
30	210054	PINION			1
31	NLA	RING, RETAINING			1
32	210183	GROOVE PIN (1/4 X 1-1/4")			1
33	210286	SEAL			1
34	210315	PINION			1
35	Y310632	SCREW	1163839		1
36	NLA	SEGMENT			1
37	210690	SEAL, RUBBER			1
38	NLA	BEARING			1
39	211028	DEFLECTOR, WATER	22001586		1
40	211047	NUT, CLAMPING	6-2110472		1
41	211089	LUG, STOP			1
42	211090	WASHER, LOCK	22003555		1
43	211100	WASHER, CUSHION			1
44	211130	LINER, TUB BEARING			1
45	211210	WASHER, CLAMPING NUT (STNLS)			1
46	211375	SCREW, STOP LUG	681582		1
47	211483	WASHER, SPLINED	6-2114830		1
48	211484	WASHER, LUG			1
49	211486	SCREW (3/8-16 X 1/2")			1
50	NLA	GROOVED, PIN			1

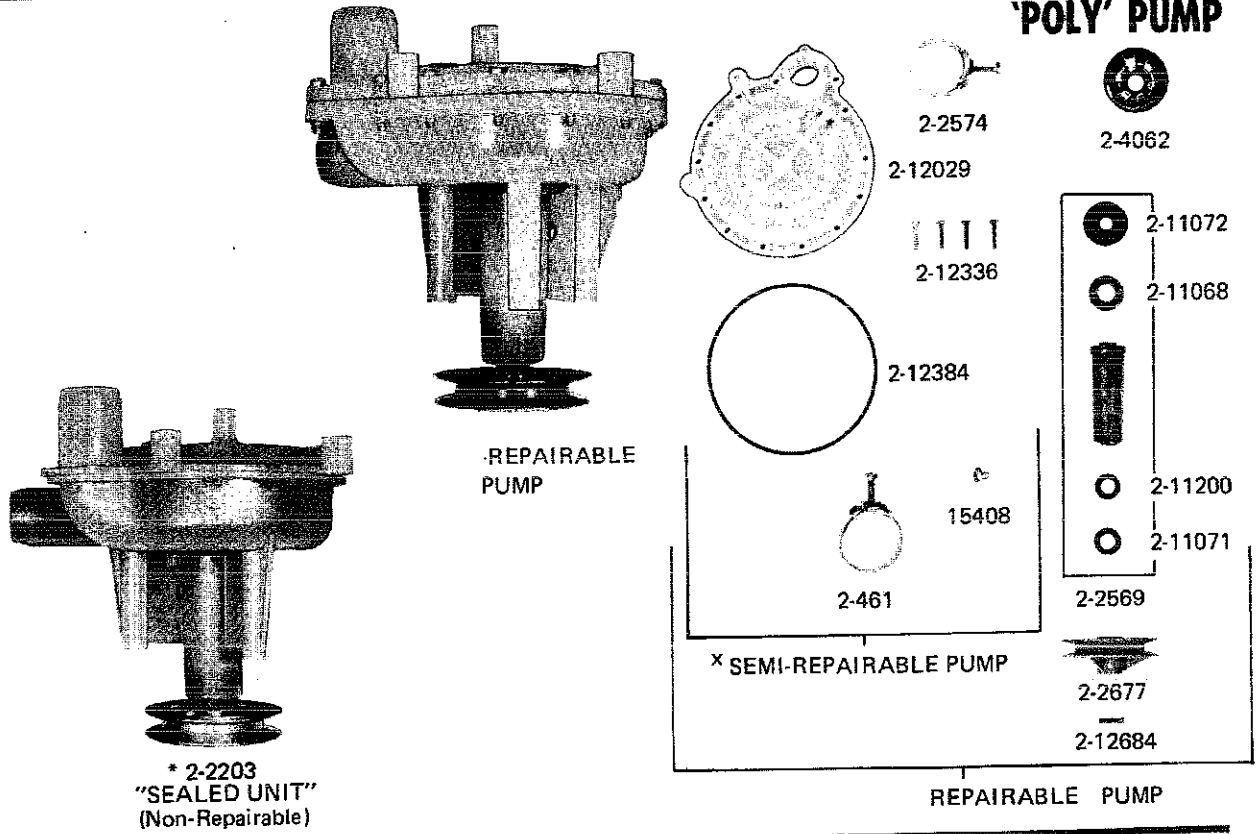
Illustrated Parts Lookup

Parts for COMMERCIAL LAUNDRY Model "A21CM", Image Section "08 - POWER UNIT & CENTER ASSEMBLY"

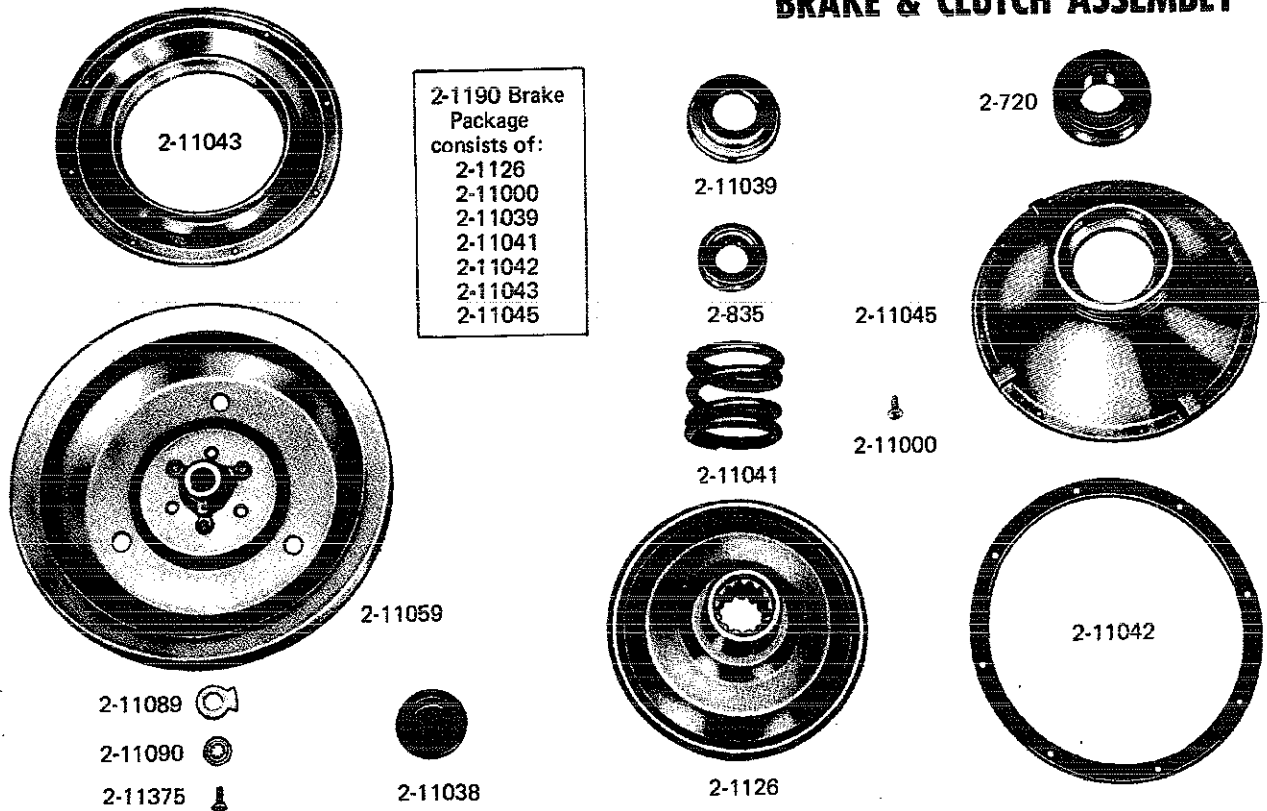
Item	Part Number	Part Description	Alt Part	Series	Qty
51	211618	SET SCREW, MOUNTING STEM	22001423		1
52	NLA	SPRING, TUB SEAL			1
53	212988	SHAFT, CENTER			1
55	NLA	WASHER, GEARS			1
56	NLA	COUNTERWEIGHT			1
57	Y052740	NUT			1
58	NLA	SCREW, CAP (3/8-16 X 1")			1

MODELS A21-A22

'POLY' PUMP



BRAKE & CLUTCH ASSEMBLY



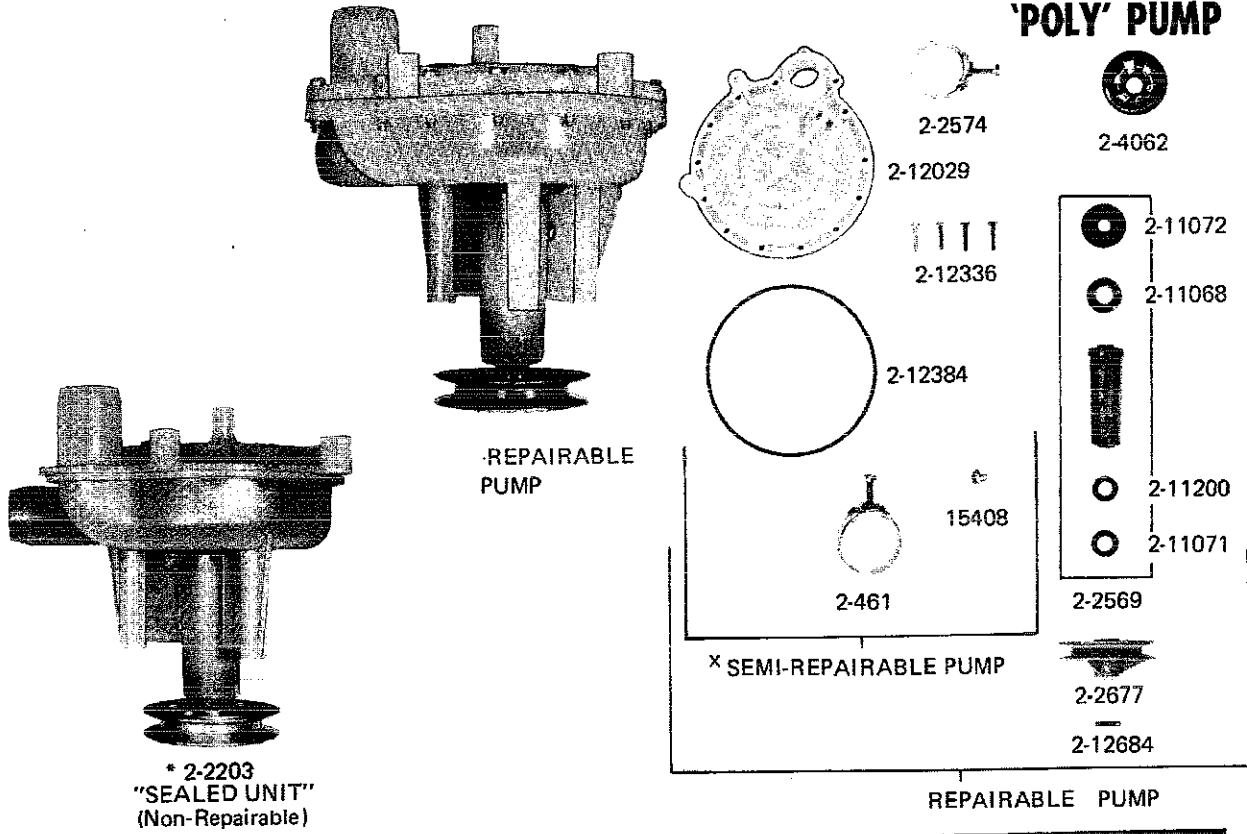
Illustrated Parts Lookup

Parts for COMMERCIAL LAUNDRY Model "A21CM", Image Section "09 - POLY PUMP"

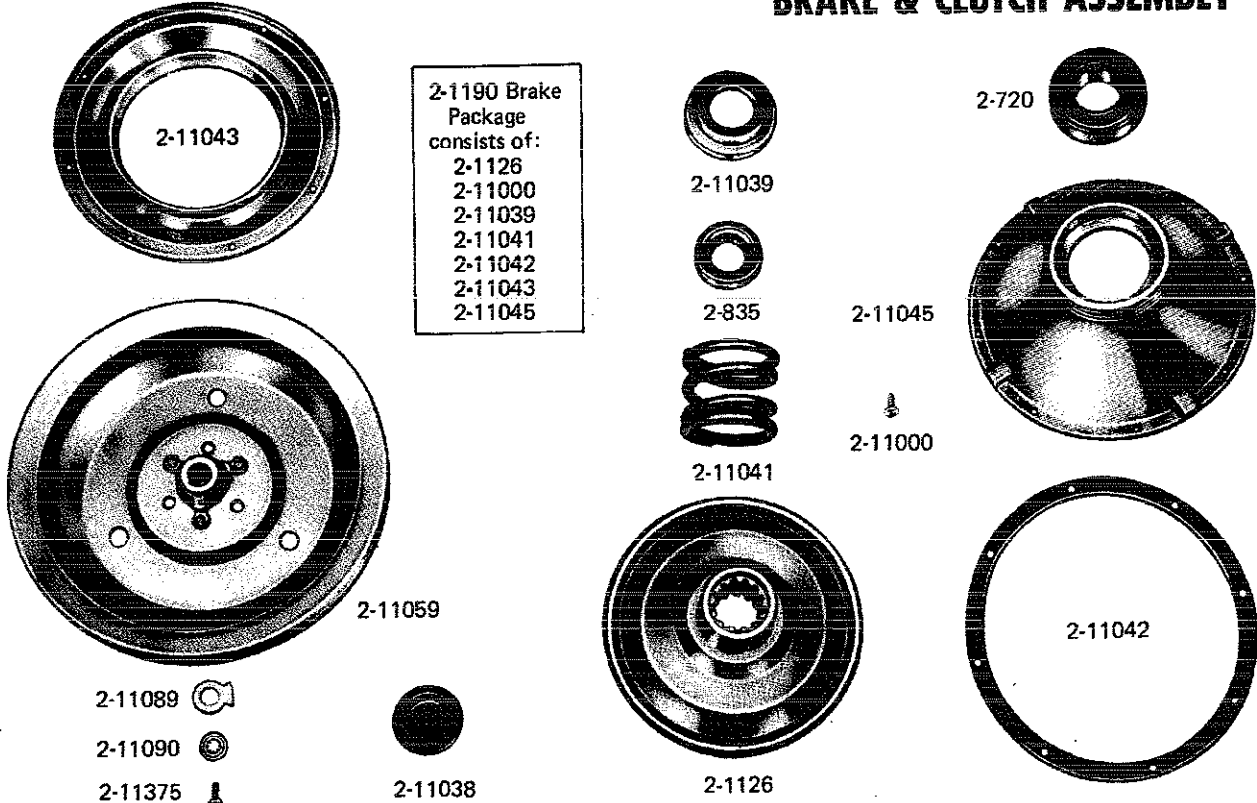
Item	Part Number	Part Description	Alt Part	Series	Qty
1	Y015408	SCREW, BEARING INSERT	22003235		1
2	200461	CLAMP, HOSE (1-5/8")	285655		1
3	202203	PUMP AS PAK	6-2022030		1
4	NLA	PUMP BEARING KIT			1
5	202574	CLAMP, HOSE	3367052		1
6	204062	SEAL, IMPELLER			1
7	211068	WICKING-TOP			1
8	NLA	OIL SLINGER (BTM)			1
9	211072	OIL & WATER SLINGER-TOP			1
10	211124	V BELT, PUMP			1
11	211200	WASHER			1
12	NLA	COVER, PUMP			1
13	NLA	SCREW (No.8 X 3/4")			1
14	212384	GASKET, POLY PUMP			1

MODELS A21-A22

'POLY' PUMP



BRAKE & CLUTCH ASSEMBLY



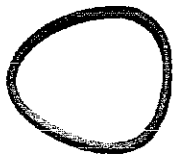
Illustrated Parts Lookup

Parts for COMMERCIAL LAUNDRY Model "A21CM", Image Section "10 - BRAKE & CLUTCH ASSEMBLY"

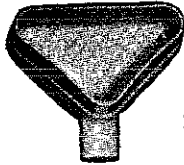
Item	Part Number	Part Description	Alt Part	Series	Qty
1	Y200720	BALL BEARING, RADIAL----S	22003441		1
2	200835	BEARING, BRAKE ROTOR			1
3	201126	ROTOR, BRAKE (W/FACING)	6-2011900		1
4	201190	BRAKE ASSEMBLY	6-2011900		1
5	211000	SCREW, BRAKE DRUM (HEX HD)			1
6	NLA	CAP, OIL RETAINER			1
7	211039	RETAINER, BRAKE SPRING	6-2011900		1
8	211041	SPRING, BRAKE	6-2011900		1
9	211042	GASKET, BRAKE DRUM	6-2011900		1
10	211043	DRUM, BRAKE	6-2011900		1
11	211045	HOUSING, BRAKE	6-2011900		1
12	211059	PULLEY, DRIVE	6-2301530		1
13	211089	LUG, STOP			1
14	211090	WASHER, LOCK	22003555		1
15	211375	SCREW, STOP LUG	681582		1

MODELS A21-A22

**BLEACH INJECTION SYSTEM
ORIGINAL & SERIES 01**



2-14436



2-14437

+ 2-14433
2-14495



2-11726

#2-1523
+2-3228

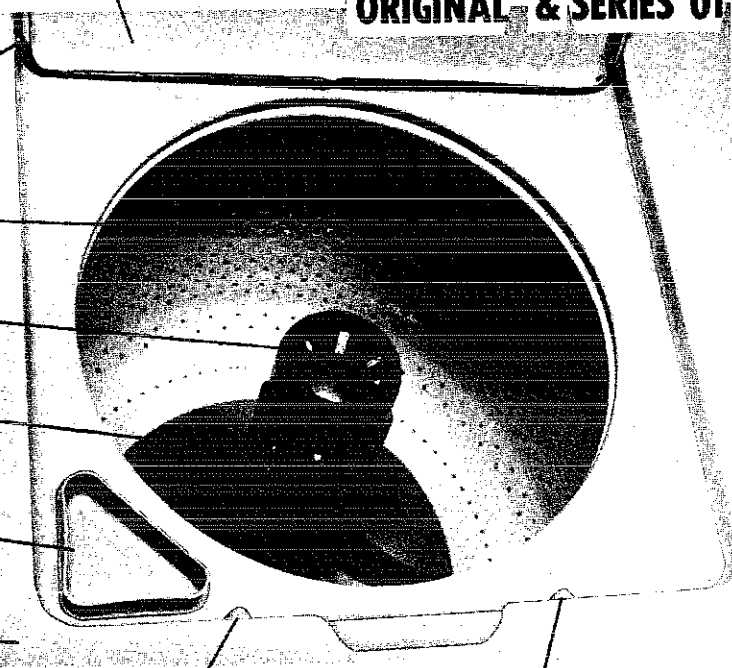
2-13081
2-14705

2-1379
+ 2-4060

2-5997
2-14437

2-3281
2-5354

2-14901
2-14613



2-12716

2-12716



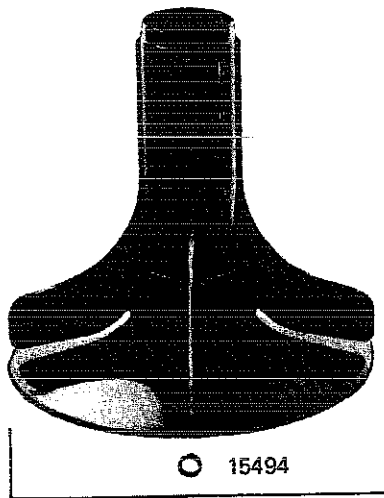
2-5161



2-14434



2-13081
2-14705



15494

#2-1379
+2-4060

2-3281
2-5354

2-14436
2-14437

2-1765
2-846
2-11232

+2-5484 #2-5486
+2-5159 #2-5218

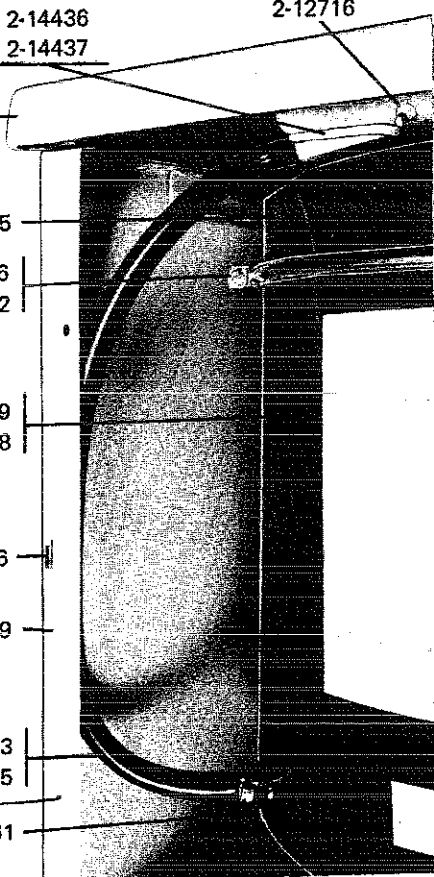
2-14376

2-3319

+2-14433
#2-14495

2-6103

2-5161



PARTS FOR A21 ONLY
+ PARTS FOR A22 ONLY

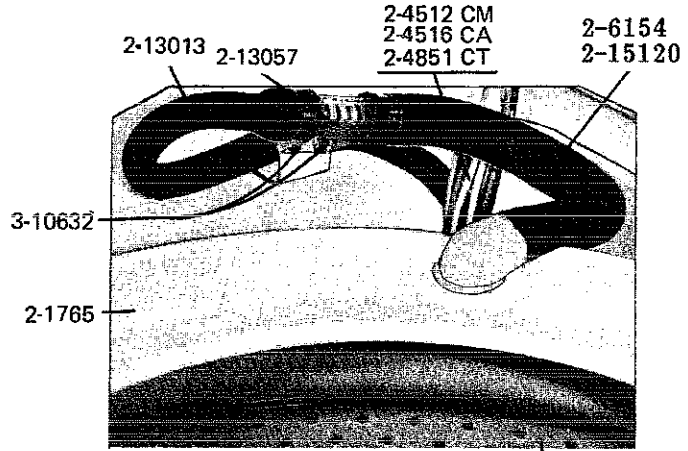
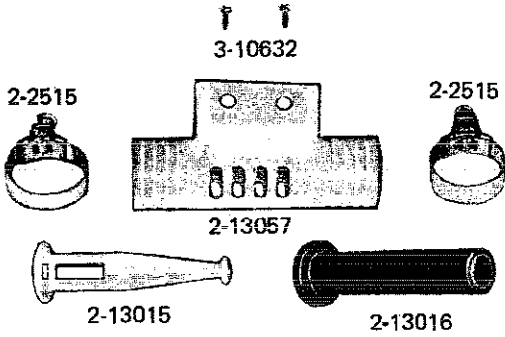
Illustrated Parts Lookup

Parts for COMMERCIAL LAUNDRY Model "A21CM", Image Section "11 - BLEACH INJECTION SYSTEM"

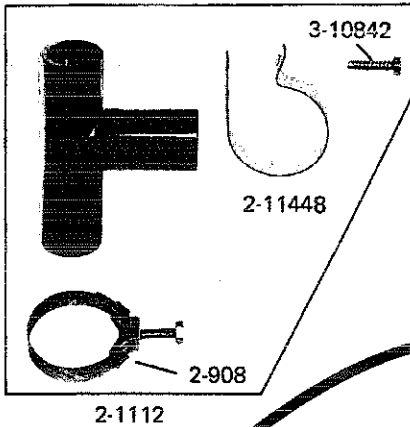
Item	Part Number	Part Description	Alt Part	Series	Qty
1	Y015494	STOP RING, AGITATOR SHAFT			1
2	200846	CLAMP, TUB COVER			1
3	201379	AGITATOR (BLK)			1
4	NLA	TUB, INNER			1
5	201765	COVER, TUB			1
6	NLA	CABINET (WHT)			1
7	205161	CLAMP, BLEACH HOSE	489503		1
8	205218	OUTER TUB ASSEMBLY	205486		1
9	NLA	COVER, TOP (WHT)			1
10	211232	SEAL			1
14	211726	HINGE, BALL			1
15	212716	BUMPER, LID			1
16	213081	CAP, DISPENSER (BLK)			1
17	214376	SPACER, FRONT PANEL	22002331		1
19	214434	SPOUT, DEFLECTOR			1
20	214436	GASKET			1
21	214437	INLET, BLEACH	215577		1
22	214493	PLASTIC RIVET	59920-2		1
23	214495	TUBE, INLET			1
24	NLA	LID (WHT)			1
25	214705	CAP, CAPACITOR			1
27	205486	TUB, OUTER			1
28	214901	LID (WHT)			1
29	206103	CAPACITOR KIT			1
30	205997	NON-BLEACH CONVERSION KIT			1

PARTS FOR A21 ONLY
 + PARTS FOR A22 ONLY

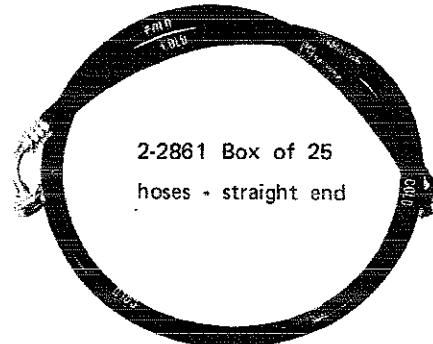
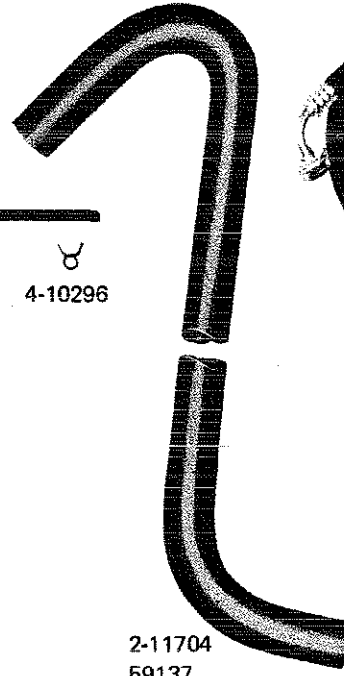
WATER INJECTION SYSTEM, HOSES & CLAMPS



2-1523
 + 2-3228



+2-14433
 #2-14495

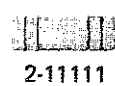
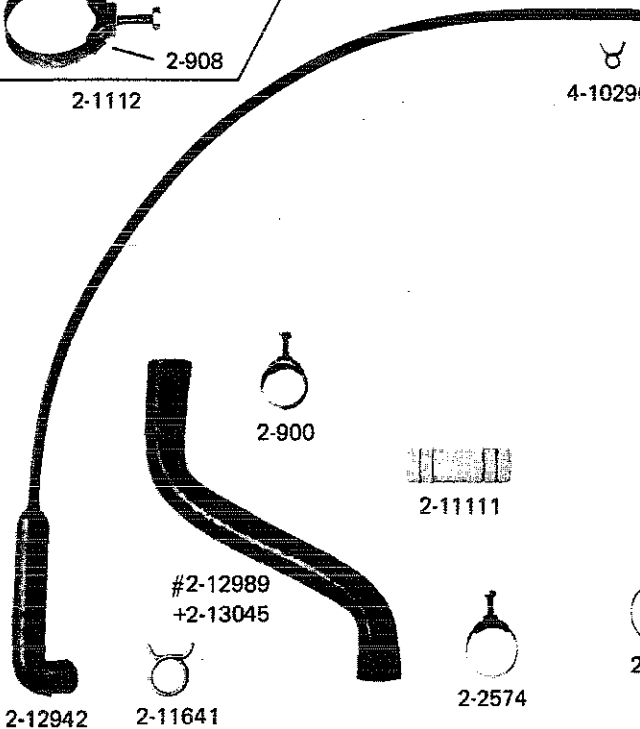


HOT

2-757	4 ft. (1.22m)
2-672	5 ft. (1.52m)
2-688	6 ft. (1.83m)
2-1486	8 ft. (2.43m)
2-681	10 ft. (3.04m)

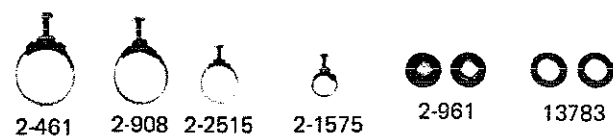
COLD

2-756	4 ft. (1.22m)
2-675	5 ft. (1.52m)
3-463	6 ft. (1.83m)
2-1487	8 ft. (2.43m)
2-682	10 ft. (3.04m)



2-11704
 59137
 59141

#2-12989
 +2-13045



Illustrated Parts Lookup

Parts for COMMERCIAL LAUNDRY Model "A21CM", Image Section "12 - WATER INJECTION SYSTEM, HOSES & CLAMPS"

Item	Part Number	Part Description	Alt Part	Series	Qty
1	Y013783	WASHER, INLET HOSE			1
2	Y059137	HOSE 31/32" PER FOOT BRANCH ST	Y059141		1
3	Y059141	CTN. 50 FT. 31/32 DRAIN HOSE			1
4	200461	CLAMP, HOSE (1-5/8")	285655		1
5	200672	INLET HOSE ASSEMBLY			1
6	200675	HOSE, INLET (COLD 5 FT.)	208314		1
7	200681	HOSE, INLET (HOT 10 FT.)	21001467		1
8	200682	HOSE, INLET (COLD 10 FT.)	208314		1
9	200688	HOSE, INLET (HOT 6 FT.)			1
10	200756	HOSE, INLET (COLD 4 FT.)	200672		1
11	200757	HOSE, INLET (HOT 4 FT.)	200672		1
12	200900	CLAMP, SPRAY ARM HOSE	99002468		1
13	200908	CLAMP, HOSE (1-1/2")	285655		1
14	200961	SCREEN WASHER, INLET HOSE	12001413		1
15	201112	SIPHON BREAK KIT	76660		1
16	201486	HOSE, INLET (HOT 8 FT.)			1
17	201487	HOSE, INLET (COLD 8 FT.)	208314		1
18	NLA	TUB, INNER			1
19	201575	CLAMP, HOSE			1
20	201765	COVER, TUB			1
21	202515	CLAMP, HOSE (1-1/16")	596669		1
22	202574	CLAMP, HOSE	3367052		1
23	202861	CARTON OF 25 FIVE FOOT HOSES	202860		1
24	NLA	WIRE HARNESS, MAIN			1
25	NLA	WIRE HARNESS, MAIN			-
26	NLA	WIRE HARNESS, MAIN			-
27	205161	CLAMP, BLEACH HOSE	489503		1
28	211111	COUPLING, HOSE			1
29	211448	CLAMP			1
30	211641	CLAMP, 1-1/16"			1
31	211704	HOSE, DRAIN			1
32	212942	AIR DOME & TUBE	22001619		1
33	Y212989	HOSE, OUTER TUB			1
34	213013	HOSE, INJECTOR			1
35	213015	NOZZLE, INJECTOR			1
36	213016	VALVE, INJECTOR	216201		1
37	213057	SLEEVE, INJECTOR	22213057		1
38	214495	TUBE, INLET TO TUB			1
39	NLA	INLET HOSE, COLD (6' LONG)			1
40	Y310632	SCREW	1163839		1
41	Y310842	SCREW			1
42	410296	CLAMP, WATER LEVEL SWTCH TUBE	596669		1
43	206154	INJECTOR TUBE WITH SEAL			1
44	215120	SEAL FOR INJECTOR TUBE			1

Illustrated Parts Lookup

Parts for COMMERCIAL LAUNDRY Model "A21CM", Image Section "13 - 230 VOLT, 50 CYCLE PARTS"

Item	Part Number	Part Description	Alt Part	Series	Qty
1	NLA	MOTOR, TIMER (240-50)			1
2	201101	CAPACITOR			1
3	202157	MOTOR (ONE SPEED - EXPORT)	12002352		1
4	Y202496	PULLEY, MOTOR (W/SET SCREW)			1
5	NLA	GREEN WIRE, MOTOR			1
6	NLA	VALVE, WATER (240-50)			1
7	204110	INDICATOR (3-LIGHT)			1
8	204579	TIMER (240-50)			1
9	NLA	TIMER (240-50)			1
10	NLA	TRANSFORMER			1
11	NLA	HARNESS, TRANSFORMER			1
12	NLA	MOTOR, TIMER (240-50)			1
13	211149	CLIP, CAPACITOR			1
14	211451	BELT, PUMP (120-50 240-50)			1
15	211948	BELT, DRIVE (120-50 240-50)			1
16	212073	LID (WHT)	216073		1
17	NLA	SET SCREW, MOTOR PULLEY			1