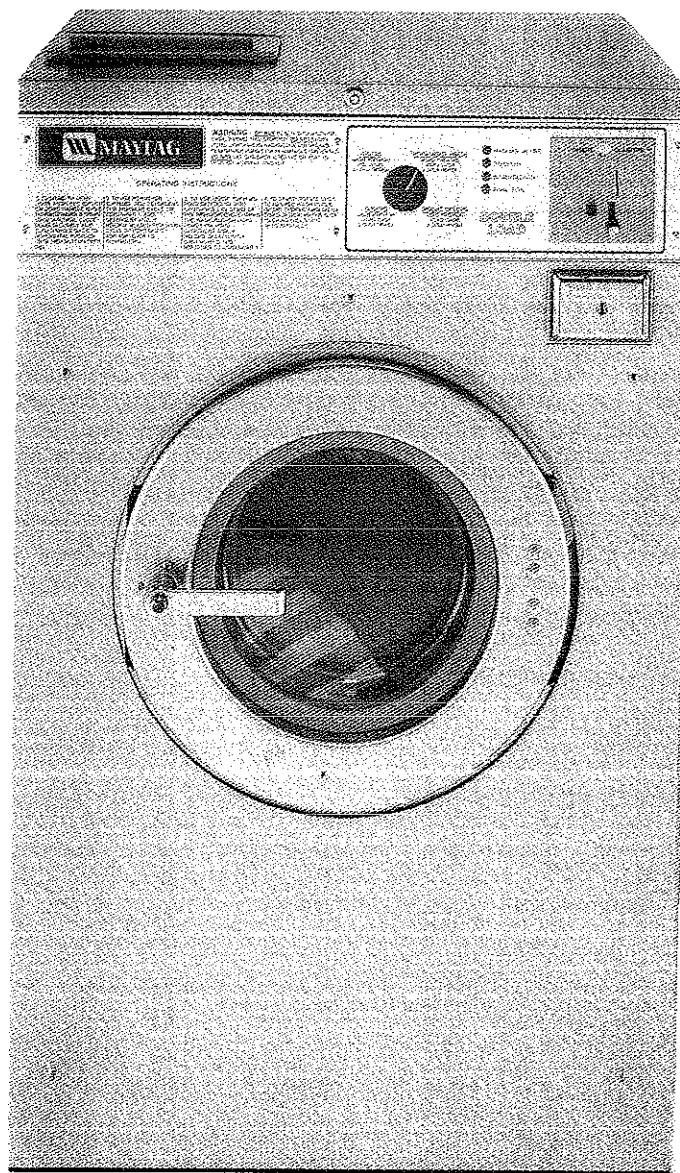


®

# MAYTAG

## COMMERCIAL FRONT LOAD PARTS CATALOG



MODEL:  
AT 18, AT 35, AT 50  
MC-MN-PC-PN

## APPLIANCE SAFETY PRECAUTIONS

This information is intended to be used by a qualified service technician, who is familiar with proper and safe procedures to be followed when repairing, replacing or adjusting any gas or electrical components. All tests and repairs should be performed by a qualified service technician who is equipped with proper tools and measuring devices. All component replacements should be made by a qualified service technician, using only Genuine Factory Parts.

Repairs and servicing attempted by uninformed persons can result in hazards developing due to improper assembly or adjustment. While performing such repairs, persons not having the proper background may subject themselves to the risk of injury or electrical shock which can be serious or even fatal.

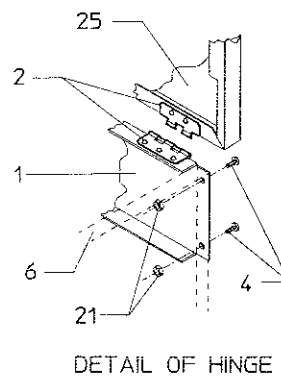
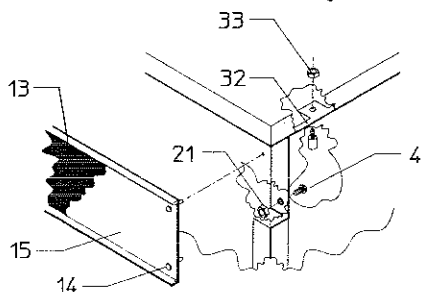
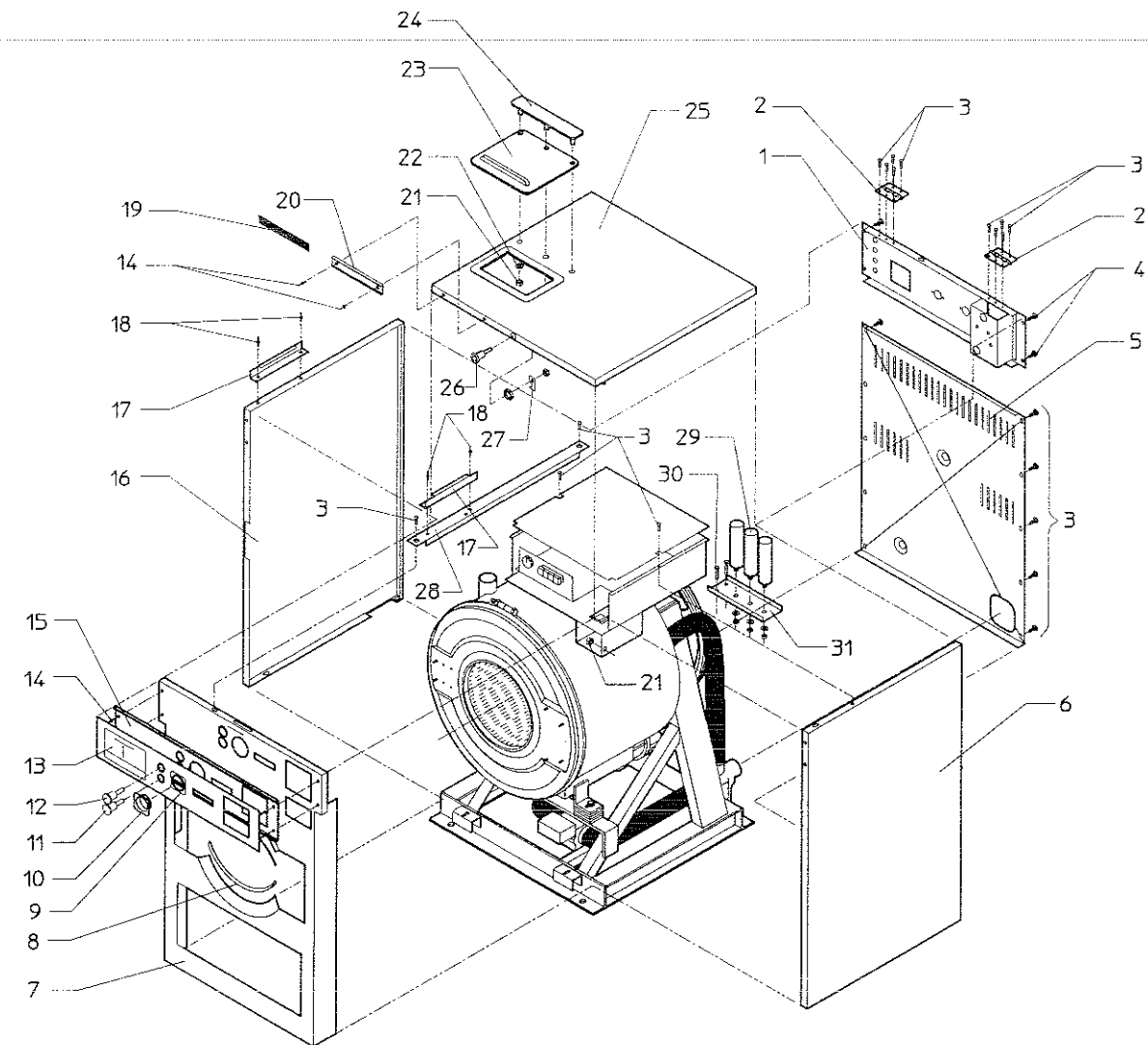
# CONTENTS

DESCRIPTION	PAGE
Main Exploded View-Final Assy.(All AT Models MC1, MN1)..	2-5
Main Exploded View-Final Assy.(All AT Models MC2, MN2)..	6-9
Main Exploded View-Final Assy.(All AT Models PC2, PN1&2)	10-13
Door and Related Parts.....	14-17
Door Safety Interlock (Coin Models).....	18-19
Door Safety Interlock (OPL Models).....	20-21
Control Module (All AT Models MC1, MN1).....	22-25
Control Module (All AT Models MC2, MN2).....	26-27
Control Module (All AT Models PC, PN).....	28-29
Coin Meter and Coin Box.....	30-31
Manual Start-Stop Control.....	32-33
Soap Dispenser (AT18 MC, MN, PC, PN).....	34-35
Soap Dispenser (AT35, 50 MC, MN, PC, PN).....	36-39
Soap Dispenser (All AT Models with New Mixing Valve)....	40-43
Water Valve.....	44-45
Main Exploded View-Sub-Assy. (All AT18, 35 Models).....	46-49
Main Exploded View-Sub-Assy. (All AT50 Models).....	50-51
Motor.....	52-53
Drain Valve.....	54-55

Section: MAIN EXPLODED VIEW-FINAL ASSEMBLY

P/N 55273

Models: AT18, 35, 50 (MC1, MN1)

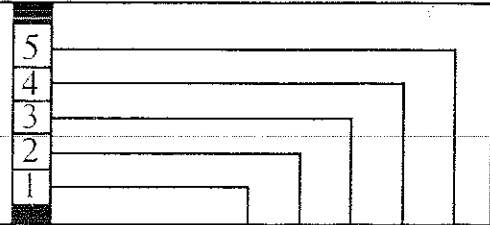


Section: MAIN EXPLODED VIEW - FINAL ASSEMBLY

P/N 55273

Models:

AT50MC1, MN1  
 AT35MC1, MN1  
 AT18MC1, MN1



NO.	PART NUMBER	DESCRIPTION	#SEE BELOW	1	2	3	4	5
1	602423	Panel, Valve.....	1	-	-			
	603393	Panel, Valve.....	-	1	-			
	604118	Panel, Valve.....	-	-	1			
2	190203	Hinge, Take Apart..... Previous Part No. 602784 Note: 18003070- (Before Serial Number)	2	-	-			
	190203	Hinge, Take Apart..... Previous Part No. 602784 Note: 35002753- (Before Serial Number)	-	2	-			
	190203	Hinge, Take Apart..... Previous Part No. 602784 Note: 18000359- (Before Serial Number)	-	-	2			
	602784	Hinge, Top Cover..... Note: -18003069 (After Serial Number)	2	-	-			
	602784	Hinge, Top Cover..... Note: -35002752 (After Serial Number)	-	2	-			
	602784	Hinge, Top Cover..... Note: -18000358 (After Serial Number)	-	-	2			
3	430174	Screw (18 x 3/8")..... Previous Part No. 430133	24	24	28			
4	430925	Screw, Stainless Steel (1/4"-20 x 1/2").....	8	8	8			
5	602422	Panel, Rear.....	1	-	-			
	603121	Panel, Rear.....	-	1	-			
	603249	Panel, Rear.....	-	-	1			
6	602419	Panel, Side (Right) (As Viewed From Front).....	1	-	-			
	603016	Panel, Side (Right) (As Viewed From Front).....	-	1	-			
	603130	Panel, Side (Right) (As Viewed From Front).....	-	-	1			
7	602418	Panel, Front (Inner).....	1	-	-			
	602970	Panel, Front (Inner).....	-	1	-			
	603800	Panel, Front (Inner).....	-	-	1			
8	610203	Trim, Front Panel (Inner).....	2	-	-			
	610396	Trim, Front Panel (Inner).....	-	2	-			
	610106	Trim, Front Panel (Inner).....	-	-	2			
9	230694	Decal, Cycle Indicator.....	1	1	1			
10	150310	Timer, Glass.....	1	1	1			
11	350410	Light, Indicator (Red, 110V) (Round).....	1	1	1			
12	350409	Light, Indicator (Amber, 110V) (Round).....	1	1	1			
13	230634	Decal, Maytag.....	1	-	-			
	230636	Decal, Maytag.....	-	1	-			
	230635	Decal, Maytag.....	-	-	1			
14	431210	Rivet, Pop (Stainless Steel) (1/8" x 1/4").....	6	8	-			
	431215	Rivet, Blind (Stainless Steel) (1/8" x 5/16").....	-	-	6			
15	150313	Control Panel, Extruded Aluminum.....	1	-	-			
	150322	Control Panel, Extruded Aluminum.....	-	1	-			
	150323	Control Panel, Extruded Aluminum.....	-	-	1			
16	602421	Panel, Side (Left) (As Viewed From Front).....	1	-	-			
	603017	Panel, Side (Left) (As Viewed From Front).....	-	1	-			
	603125	Panel, Side (Left) (As Viewed From Front).....	-	-	1			

10/91

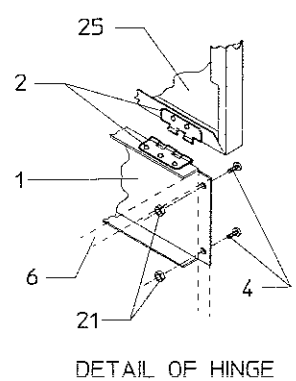
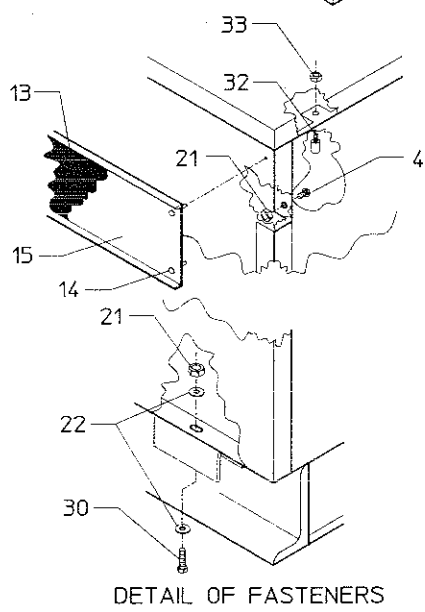
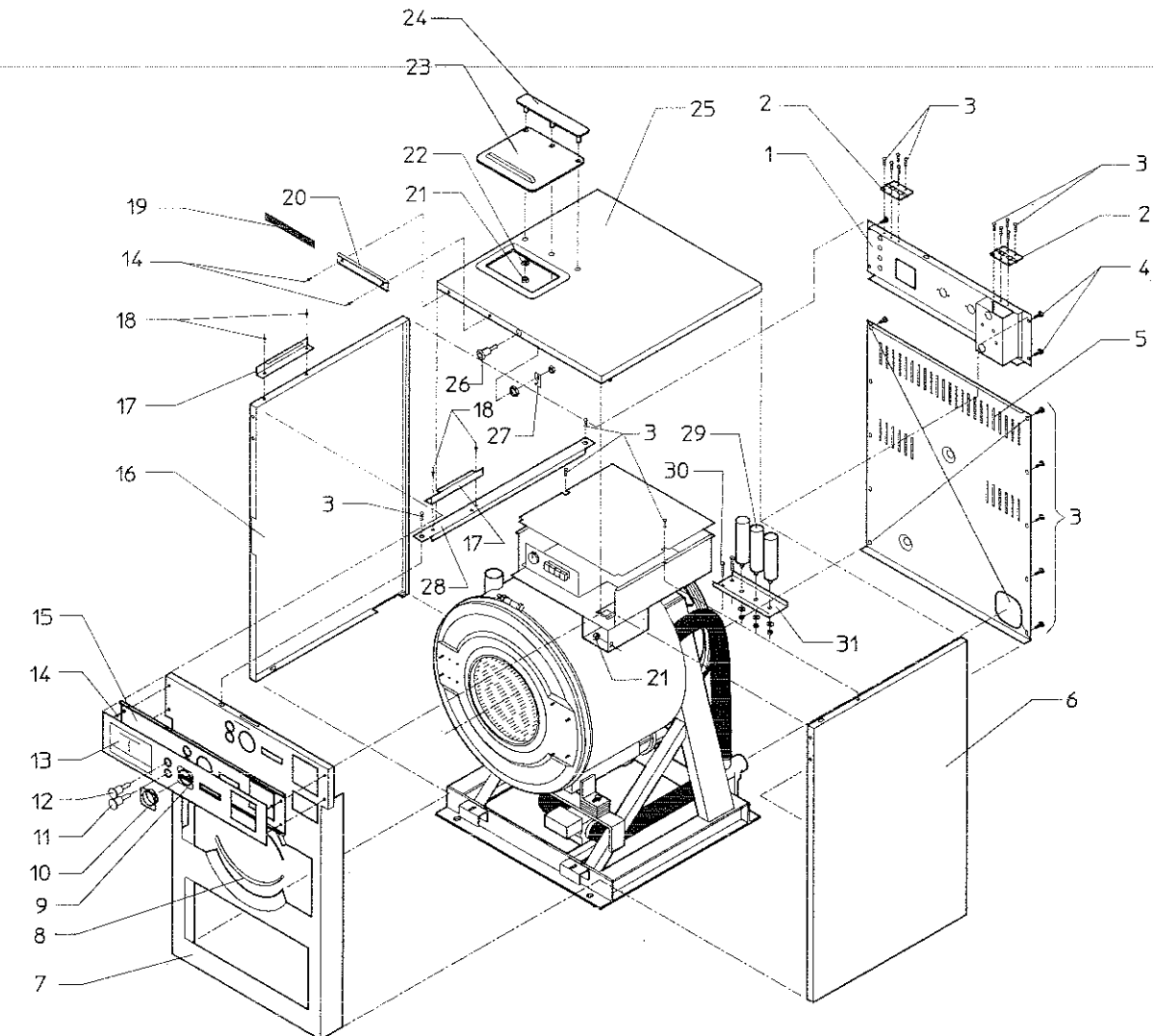
\*NEW PART

(-)=NOT SHOWN

#=SERIES, SER PRE OR RUN NO.

M3FLW-1

Models: AT18, 35, 50 (MCI, MN1)

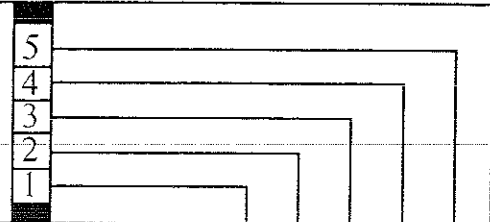


Section: MAIN EXPLODED VIEW - FINAL ASSEMBLY

P/N 55273

Models:

AT50MC1, MN1  
 AT35MC1, MN1  
 AT18MC1, MN1



NO.	PART NUMBER	DESCRIPTION	#SEE BELOW	1	2	3	4	5
17	602722	Bracket, Soap Dispenser.....		2	2	2		
18	431215	Rivet, Blind (Stainless Steel) (1/8" x 5/16").....		4	4	-		
	431210	Rivet, Pop (Stainless Steel) (1/8" x 1/4").....		-	-	4		
19	240613	Decal, Maytag.....		1	1	-		
	230643	Decal, Maytag.....		-	-	1		
20	150327	Nameplate.....		1	1	1		
21	431005	Nut, Stainless Steel (1/4"-20).....		3	3	3		
22	431100	Washer, Split Lock (Stainless Steel) (1/4").....		3	3	3		
23	150305	Cover, Soap Dispenser.....		1	1	1		
24	602729	Clamp, Soap Dispenser.....		1	1	1		
25	602464	Cover, Top.....		1	-	-		
	603024	Cover, Top.....		-	1	-		
	603801	Cover, Top.....		-	-	1		
26	190802	Lock, Lid.....		1	1	1		
27	602753	Latch, Top Cover.....		1	1	1		
28	602620	Brace, Top.....		1	-	-		
	603014	Brace, Top.....		-	1	-		
	603227	Brace, Top.....		-	-	1		
29	370220	Capacitor, 130 MFD.....		1	-	-		
	370221	Capacitor, 100 MFD.....		2	-	-		
		For AT35 With Century Motors (Single Phase)						
	370220	Capacitor, 130 MFD.....		-	1	-		
	730344	Capacitor, 160 MFD w/Resistor.....		-	1	-		
	370230	Capacitor, 10 MFD.....		-	1	-		
	370222	Capacitor, 50 MFD.....		-	1	-		
		For AT35 With Elmo Motors (Single Phase)						
	730344	Capacitor, 160 MFD w/Resistor.....		-	1	-		
	370222	Capacitor, 50 MFD.....		-	1	-		
	370224	Capacitor, 20 MFD.....		-	1	-		
	370223	Capacitor, 25 MFD.....		-	1	-		
		For AT50 With Century Motors (Single Phase)						
	370220	Capacitor, 130 MFD.....		-	-	2		
	730353	Capacitor, 130 MFD w/Resistor.....		-	-	1		
	370222	Capacitor, 50 MFD.....		-	-	2		
	370224	Capacitor, 20 MFD.....		-	-	2		
30	430108	Screw, Plated (1/4"-20 x 1 1/4").....		8	8	8		
31	602732	Bracket, Capacitor.....		1	-	-		
	603184	Bracket, Capacitor.....		-	1	-		
	605205	Bracket, Capacitor.....		-	-	1		
32	430215	Nut, Fiber Lock (Plated) (1/4"-20).....		17	17	17		
33	430231	Nut, Fiber Lock (Plated) (#6-32).....		1	1	1		
34	390300	Stud, Stainless Steel (#6-32 x .250).....		1	1	1		

10/91

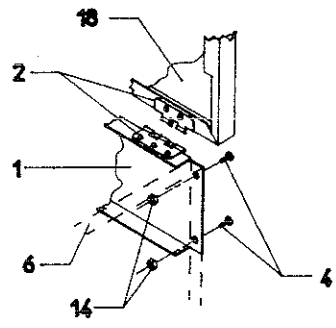
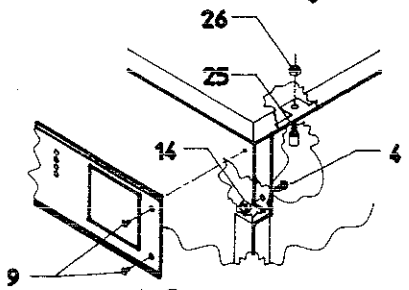
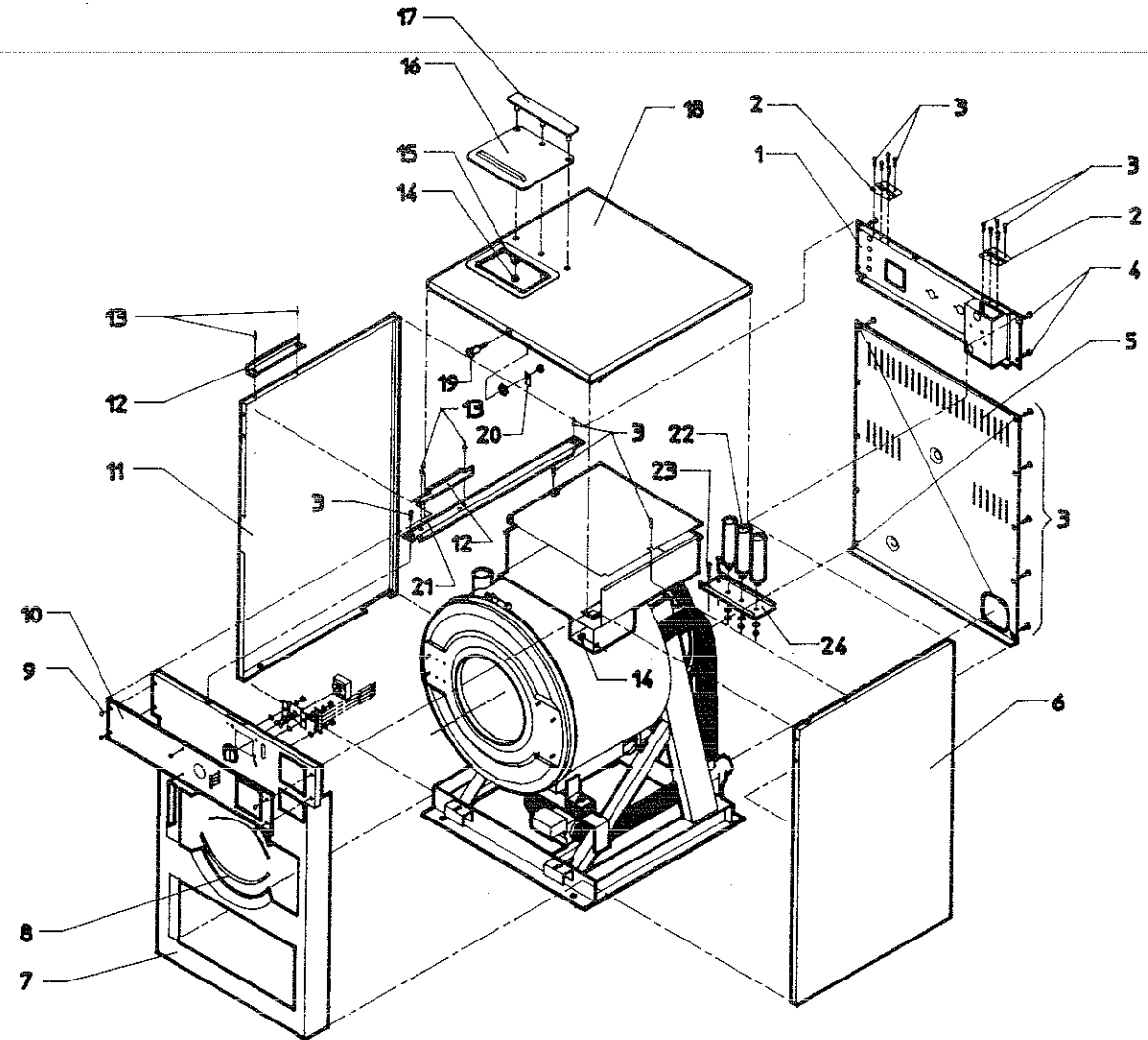
\*NEW PART

(-)=NOT SHOWN

#=SERIES, SER PRE OR RUN NO.

M3FLW-1

Models: AT18, 35, 50 (MC2, MN2)



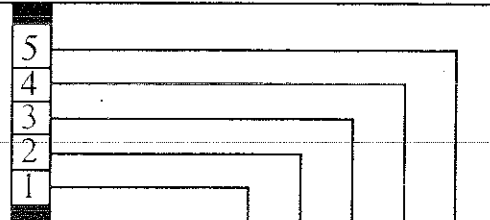


Section: MAIN EXPLODED VIEW - FINAL ASSEMBLY

P/N 55273

Models:

AT50MC2, MN2  
 AT35MC2, MN2  
 AT18MC2, MN2



NO.	PART NUMBER	DESCRIPTION	#SEE BELOW	1	2	3	4	5
1	602423	Panel, Valve.....	1	-	-			
	603393	Panel, Valve.....	-	1	-			
	604118	Panel, Valve.....	-	-	1			
2	190203	Hinge, Take Apart.....	2	2	2			
3	430174	Screw (18 x 3/8").....	24	24	24			
4	430925	Screw, Stainless Steel (1/4"-20 x 1/2").....	8	8	8			
5	602422	Panel, Rear.....	1	-	-			
	603121	Panel, Rear.....	-	1	-			
	603249	Panel, Rear.....	-	-	1			
6	602419	Panel, Side (Right).....	1	-	-			
	603016	Panel, Side (Right).....	-	1	-			
	603130	Panel, Side (Right).....	-	-	1			
7	602418	Panel, Front (Inner).....	1	-	-			
	602970	Panel, Front (Inner).....	-	1	-			
	603800	Panel, Front (Inner).....	-	-	1			
8	610203	Trim, Front Panel (Inner).....	2	-	-			
	610396	Trim, Front Panel (Inner).....	-	2	-			
	610106	Trim, Front Panel (Inner).....	-	-	2			
9	430997	Screw, TP Torx (Plated) (#8-32 x 1/2").....	6	6	6			
10	150360-1	Panel, Control.....	1	-	-			
	150360-2	Panel, Control.....	-	1	-			
	150360-3	Panel, Control.....	-	-	1			
11	602421	Panel, Side (Left).....	1	-	-			
	603017	Panel, Side (Left).....	-	1	-			
	603125	Panel, Side (Left).....	-	-	1			
12	602722	Bracket, Soap Dispenser.....	2	2	2			
13	431215	Rivet, Blind (Stainless Steel) (1/8" x 5/16").....	4	4	4			
14	431005	Nut, Stainless Steel (1/4"-20).....	3	3	3			
15	430317	Washer, Flat (Plated) (1/4").....	3	3	3			
16	150305	Cover, Soap Dispenser.....	1	1	1			
17	602729	Clamp, Soap Dispenser.....	1	1	1			
18	602464	Cover, Top.....	1	-	-			
	603024	Cover, Top.....	-	1	-			
	603801	Cover, Top.....	-	-	1			
19	190802	Lock, Lid.....	1	1	1			
20	602753	Latch, Top Cover.....	1	1	1			
21	602620	Brace, Top.....	1	-	-			
	603014	Brace, Top.....	-	1	-			
	603227	Brace, Top.....	-	-	1			
		For AT18 - 120V/60Hz (Single Phase)						
22	730353	Capacitor, 130 MFD w/Resistor.....	1	-	-			
	370221	Capacitor, 100 MFD.....	2	-	-			

10/91

\*NEW PART

(-)=NOT SHOWN

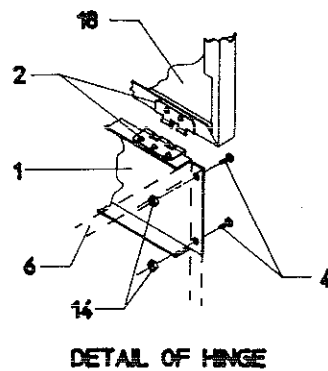
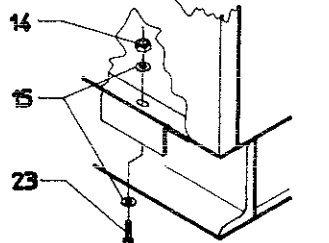
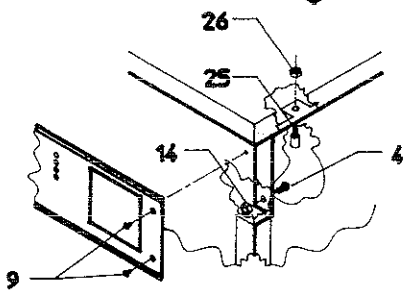
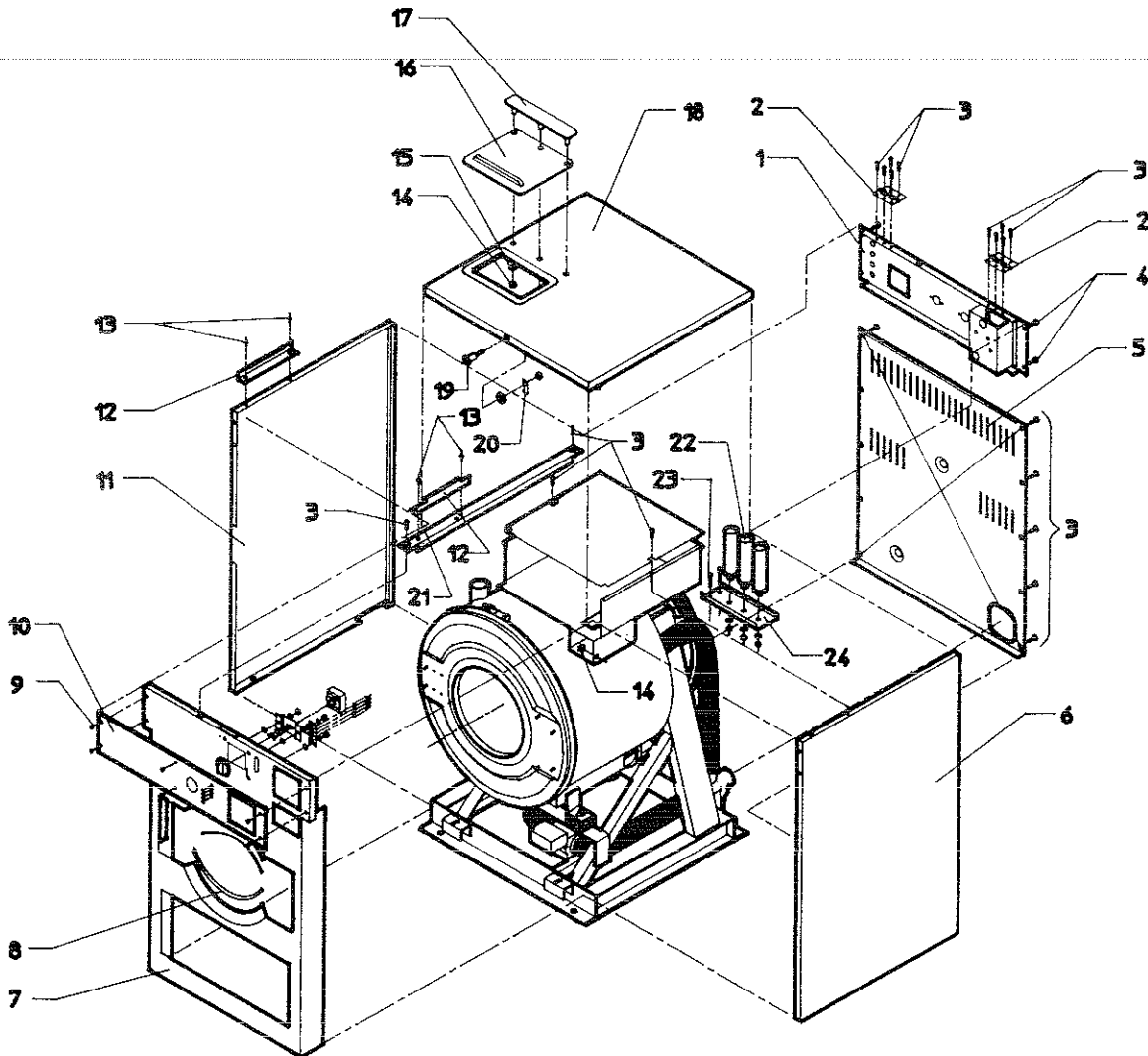
#=SERIES, SER PRE OR RUN NO.

M3FLW-2

Section: MAIN EXPLODED VIEW-FINAL ASSEMBLY

P/N 55273

Models: AT18, 35, 50 (MC2, MN2)



Section: MAIN EXPLODED VIEW - FINAL ASSEMBLY

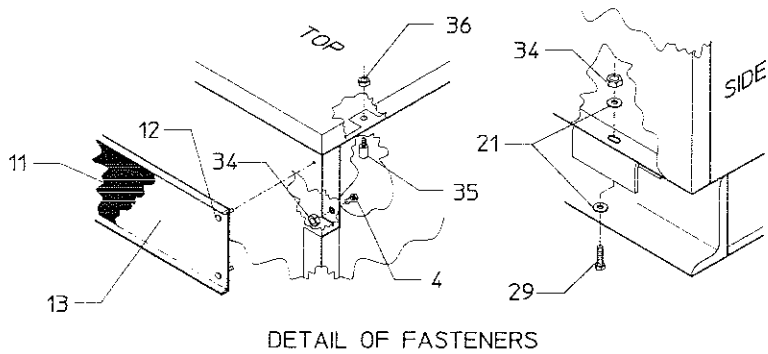
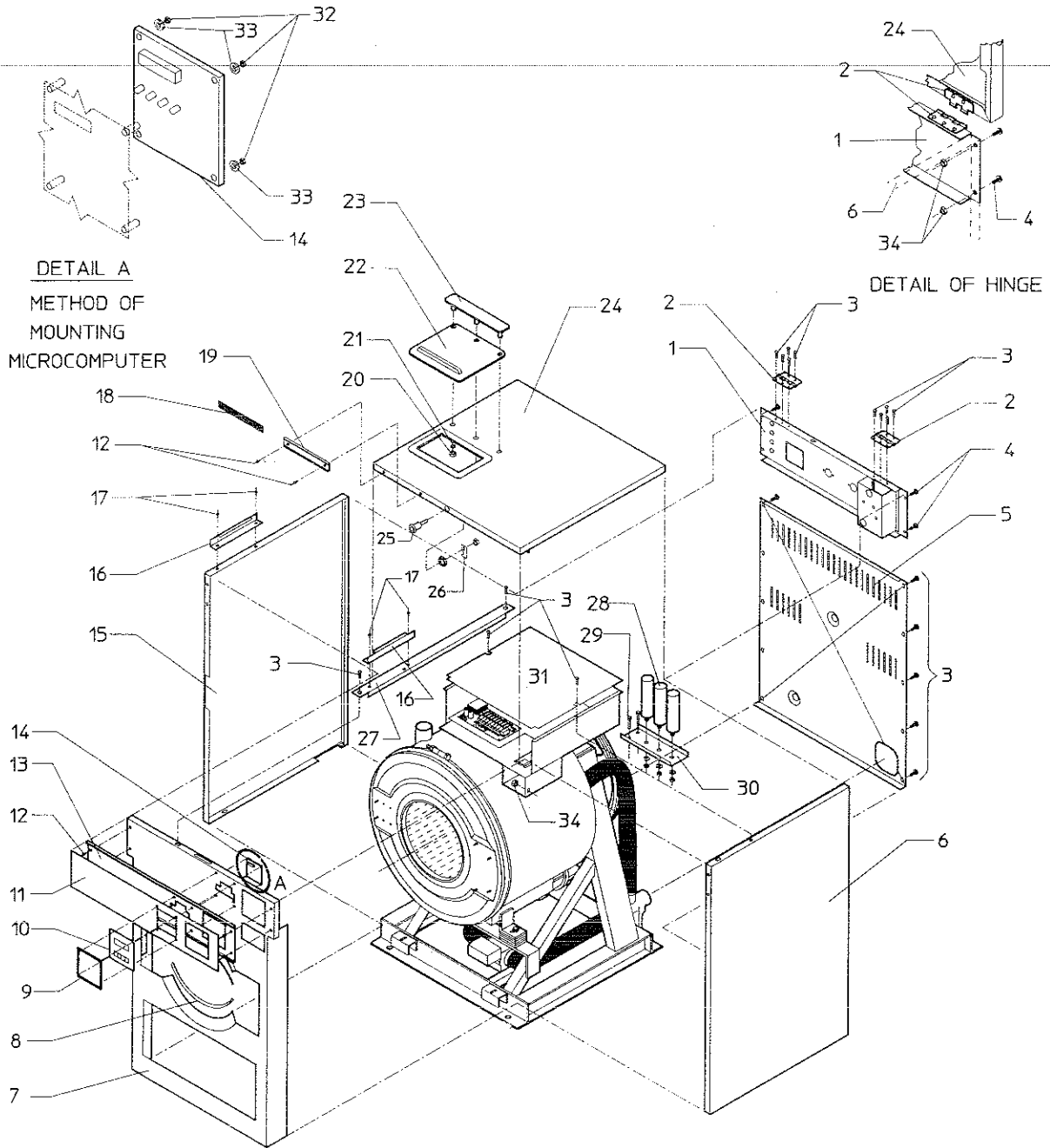
P/N 55273

Models:	5	
	4	
	3	AT50MC2, MN2
	2	AT35MC2, MN2
	1	AT18MC2, MN2

NO.	PART NUMBER	DESCRIPTION	#SEE BELOW	1	2	3	4	5
		For AT35 With Century Motors (Single Phase)						
	370220	Capacitor, 130 MFD.....	-	1	-			
	730344	Capacitor, 160 MFD w/Resistor.....	-	1	-			
	370230	Capacitor, 10 MFD.....	-	1	-			
	370222	Capacitor, 50 MFD.....	-	1	-			
	370116	Resistor, 12K OHM.....	-	1	-			
		For AT35 With Elmo Motors (Single Phase)						
	730344	Capacitor, 160 MFD w/Resistor.....	-	1	-			
	370222	Capacitor, 50 MFD.....	-	1	-			
	370224	Capacitor, 20 MFD.....	-	1	-			
	370223	Capacitor, 25 MFD.....	-	1	-			
	370116	Resistor, 12K OHM.....	-	1	-			
		For AT50 (Single Phase)						
	370220	Capacitor, 130 MFD.....	-	-	3			
	370222	Capacitor, 50 MFD.....	-	-	2			
	370224	Capacitor, 20 MFD.....	-	-	2			
23	430108	Screw, Plated (1/4"-20 x 1 1/4").....	8	8	8			
24	602732	Bracket, Capacitor.....	1	-	-			
	603184	Bracket, Capacitor.....	-	1	-			
	605205	Bracket, Capacitor.....	-	-	1			
25	390300	Stud, Stainless Steel (#6-32 x 1/4").....	1	1	1			
26	430231	Nut, Fiberlock (Plated) (#6-32).....	1	1	1			

10/91	*NEW PART	(-)= NOT SHOWN	#= SERIES, SER PRE OR RUN NO.	M3FLW-2
-------	-----------	----------------	-------------------------------	---------

Models: AT18, 35 (PC2, PN1, PN2)

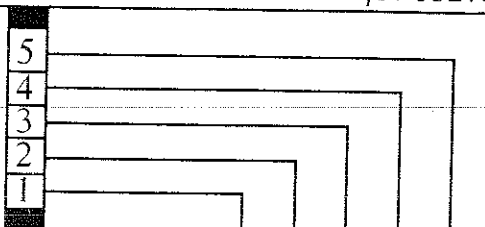


Section: MAIN EXPLODED VIEW - COMPUTER MODELS

P/N 55273

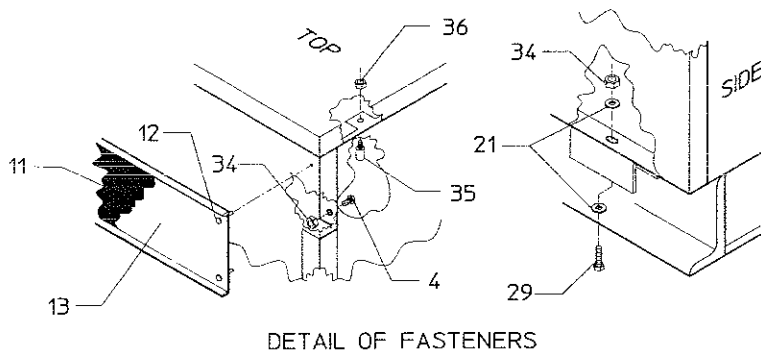
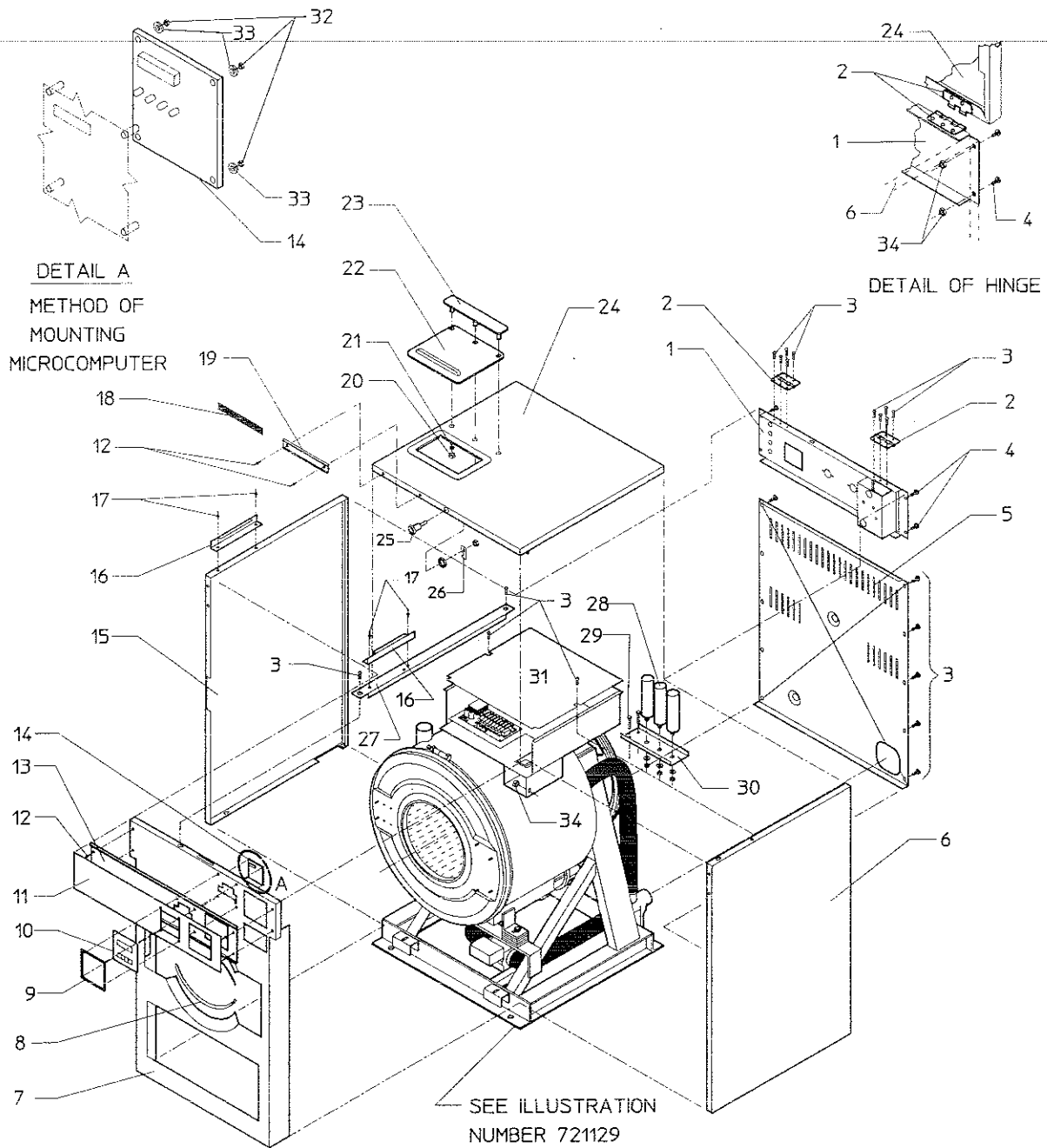
Models:

AT50PC2, PN1, PN2  
 AT35PC2, PN1, PN2  
 AT18PC2, PN1, PN2



NO.	PART NUMBER	DESCRIPTION	#SEE BELOW					
				1	2	3	4	5
1	602423	Panel, Valve.....	1	-	-			
	603393	Panel, Valve.....	-	1	-			
	604118	Panel, Valve.....	-	-	1			
2	190203	Hinge, Take Apart.....	2	-	-			
		Previous Part No. 602784						
		Note: 18003070- (Before Serial Number)						
	190203	Hinge, Take Apart.....	-	2	-			
		Previous Part No. 602784						
		Note: 35002753- (Before Serial Number)						
	190203	Hinge, Take Apart.....	-	-	2			
	602784	Hinge.....	2	-	-			
		Note: -18003069 (After Serial Number)						
	602784	Hinge.....	-	2	-			
		Note: -35002752 (After Serial Number)						
	602784	Hinge.....	-	-	2			
3	430174	Screw (#8-18 x 3/8").....	26	28	28			
		Previous Part No. 430133						
4	430925	Screw, Stainless Steel (1/4"-20 x 1/2").....	8	8	8			
		Previous Part No. 430948						
5	602422	Panel, Rear.....	1	-	-			
	603121	Panel, Rear.....	-	1	-			
	603249	Panel, Rear.....	-	-	1			
6	602419	Panel, Side (Right).....	1	-	-			
	603016	Panel, Side (Right).....	-	1	-			
	603130	Panel, Side (Right).....	-	-	1			
7	602418	Panel, Front (Inner).....	1	-	-			
	602970	Panel, Front (Inner).....	-	1	-			
	603800	Panel, Front (Inner).....	-	-	1			
8	610203	Trim, Front Panel (Inner).....	2	-	-			
	610396	Trim, Front Panel (Inner).....	-	2	-			
	610106	Trim, Front Panel (Inner).....	-	-	2			
9	150355	Trim, Keypad (Computer).....	1	1	1			
10	340602	Switch, Membrane (Coin Keypad).....	1	1	1			
	370559	Switch, Membrane (Manual Keypad).....	1	1	1			
11	230639	Decal.....	1	-	-			
	230640	Decal.....	-	1	-			
	603011	Decal.....	-	-	1			
12	431210	Rivet, Pop (Stainless Steel) (1/8" x 1/4").....	6	8	8			
13	150313	Control Panel, Extruded Aluminum.....	1	-	-			
	150322	Control Panel, Extruded Aluminum.....	-	1	-			
	150323	Control Panel, Extruded Aluminum.....	-	-	1			
14	370520	Computer Board, OPL.....	1	1	1			
	370540	Computer Board, Coin (Maytag).....	1	1	1			
15	602421	Panel, Side (Left).....	1	-	-			
	603017	Panel, Side (Left).....	-	1	-			
	603125	Panel, Side (Left).....	-	-	1			
16	602722	Bracket, Soap Dispenser.....	2	2	2			

Models: AT18, 35 (PC2, PN1, PN2)

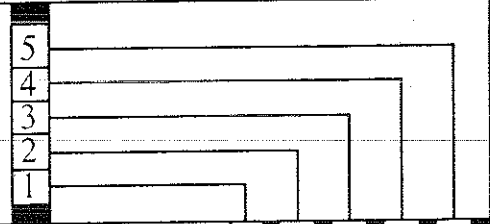


Section: MAIN EXPLODED VIEW - COMPUTER MODELS

P/N 55273

Models:

AT50PC2, PN1, PN2  
 AT35PC2, PN1, PN2  
 AT18PC2, PN1, PN2



NO.	PART NUMBER	DESCRIPTION	#SEE BELOW	1	2	3	4	5
17	431215	Rivet, Blind (Stainless Steel) (1/8" x 5/16").....	1	1	-	-	-	-
	431210	Rivet, Pop (Stainless Steel) (1/8" x 1/4").....	-	-	4	-	-	-
18	230643	Decal, Maytag.....	1	1	1	-	-	-
19	150327	Nameplate.....	1	1	1	-	-	-
20	431005	Nut, Stainless Steel (1/4"-20).....	3	3	3	-	-	-
21	431100	Washer, Split Lock (Stainless Steel) (1/4").....	3	3	3	-	-	-
22	150305	Cover, Soap Dispenser.....	1	1	1	-	-	-
23	602729	Clamp, Soap Dispenser.....	1	1	1	-	-	-
24	602464	Cover, Top.....	1	-	-	-	-	-
	603024	Cover, Top.....	-	1	-	-	-	-
	603801	Cover, Top.....	-	-	1	-	-	-
25	190802	Lock, Lid.....	1	1	1	-	-	-
26	602753	Latch, Cover (Top).....	1	1	1	-	-	-
27	602620	Brace, Top.....	1	-	-	-	-	-
	603014	Brace, Top.....	-	1	-	-	-	-
	603227	Brace, Top.....	-	-	1	-	-	-
28	370220	Capacitor, 130 MFD.....	1	-	-	-	-	-
	370221	Capacitor, 100 MFD.....	2	-	-	-	-	-
		For AT35 With Century Motors (Single Phase)						
	370220	Capacitor, 130 MFD.....	-	1	-	-	-	-
	730344	Capacitor, 160 MFD w/Resistor.....	-	1	-	-	-	-
	370230	Capacitor, 10 MFD.....	-	1	-	-	-	-
	370222	Capacitor, 50 MFD.....	-	1	-	-	-	-
		For AT35 With Elmo Motors (Single Phase)						
	730344	Capacitor, 160 MFD w/Resistor.....	-	1	-	-	-	-
	370222	Capacitor, 50 MFD.....	-	1	-	-	-	-
	370224	Capacitor, 20 MFD.....	-	1	-	-	-	-
	370223	Capacitor, 25 MFD.....	-	1	-	-	-	-
		For AT50 (Single Phase)						
	730353	Capacitor, 130 MFD w/Resistor.....	-	-	3	-	-	-
	370222	Capacitor, 50 MFD.....	-	-	2	-	-	-
	370224	Capacitor, 20 MFD.....	-	-	2	-	-	-
29	430108	Screw, Plated (1/4"-20 x 1 1/4").....	8	8	8	-	-	-
30	602732	Bracket, Capacitor.....	1	-	-	-	-	-
	603184	Bracket, Capacitor.....	-	1	-	-	-	-
	605205	Bracket, Capacitor.....	-	-	1	-	-	-
31	602961	Cover, Module.....	1	1	1	-	-	-
32	431401	Nut, Brass (#6-32).....	4	4	4	-	-	-
33	431113	Washer, Ext. Tooth (Stainless Steel) (#6).....	4	4	4	-	-	-
34	430215	Nut, Fiber Lock (Plated) (1/4"-20).....	17	17	17	-	-	-
35	390300	Stud, Stainless Steel (#7-32 x .250).....	1	1	1	-	-	-
36	430231	Nut, Fiber Lock (Plated) (#6-32).....	1	1	1	-	-	-
-	370116	Resistor, 12K Ohms 5 Watt.....	1	1	1	-	-	-

10/91

\*NEW PART

(-)=NOT SHOWN

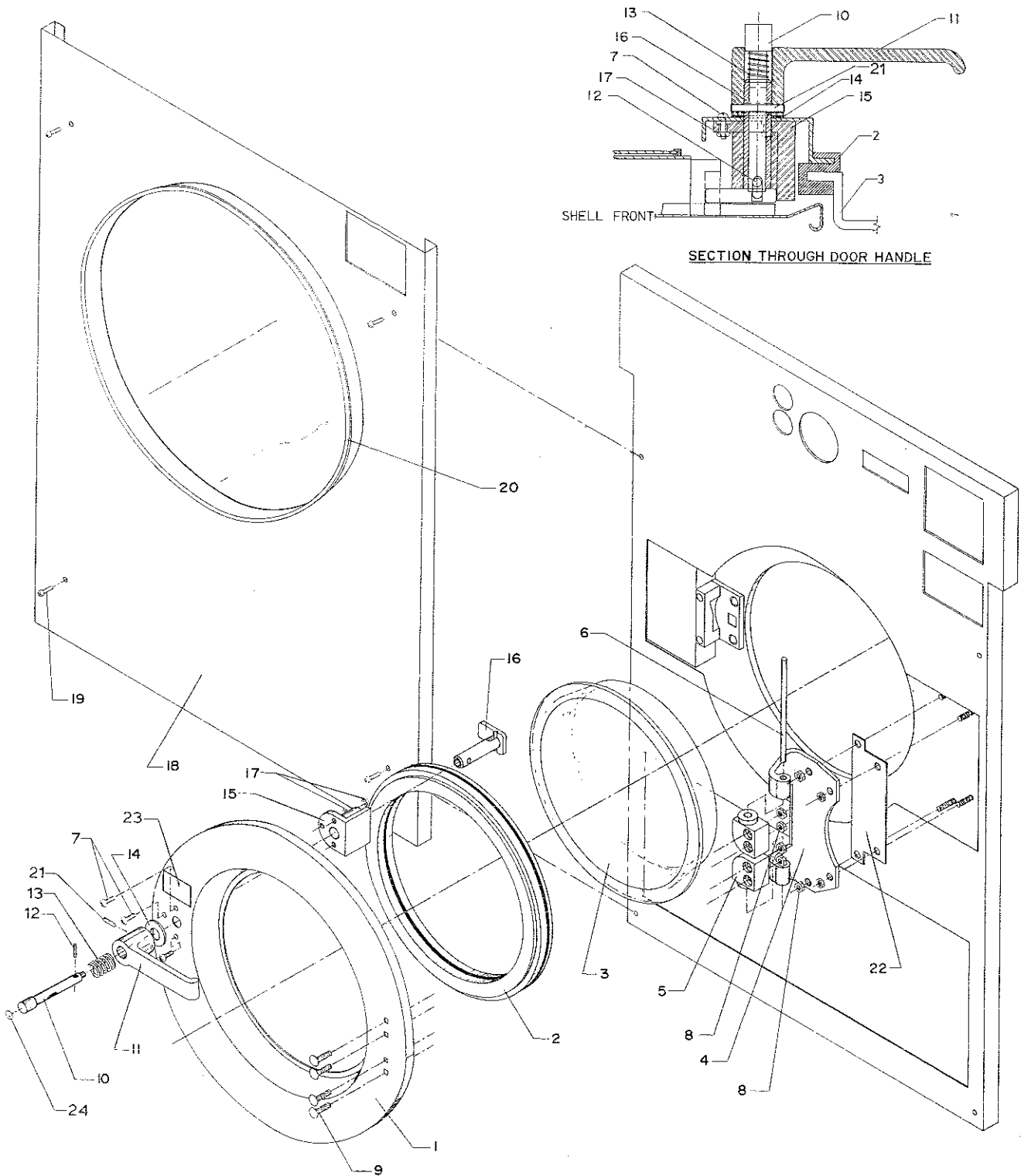
#=SERIES, SER PRE OR RUN NO.

M3FLW-3

Section: DOOR AND RELATED PARTS

P/N 55273

Models: AT18, 35, 50 (MC, MN, PC, PN Series 1 and 2)



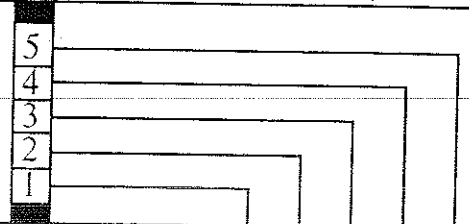


Section: DOOR & RELATED PARTS (MC, MN, PC, PN Series 1 & 2)

P/N 55273

Models:

AT50  
AT35  
AT18



NO.	PART NUMBER	DESCRIPTION	#SEE BELOW	1	2	3	4	5
*	604079	Door Assembly, Complete.....	1	-	-	-	-	-
*	603239	Door Assembly, Complete.....	-	1	-	-	-	-
*	603901	Door Assembly, Complete.....	-	-	1	-	-	-
1	602431	Door.....	1	-	-	-	-	-
	602837	Door.....	-	1	-	-	-	-
	602842	Door.....	-	-	1	-	-	-
2	170106	Gasket, Door.....	1	-	-	-	-	-
	170123	Gasket, Door.....	-	1	-	-	-	-
	170124	Gasket, Door.....	-	-	1	-	-	-
3	290205	Glass, Door.....	1	-	-	-	-	-
	290207	Glass, Door.....	-	1	-	-	-	-
	290208	Glass, Door.....	-	-	1	-	-	-
4	150224	Hinge, Door (Brass).....	1	1	1	-	-	-
5	150226	Mount, Door (Brass).....	2	2	2	-	-	-
6	610192	Rod, Hinge (Stainless Steel) (1/4" x 7").....	1	1	-	-	-	-
	610159	Rod, Hinge (1/8" x 10").....	-	-	1	-	-	-
7	430976	Screw, Stainless Steel (#8-32 x 5/8").....	3	3	3	-	-	-
8	430215	Nut, Fiber Lock (Plated) (1/4"-20).....	8	8	8	-	-	-
9	430906	Screw, Stainless Steel (1/4"-20 x 7/8").....	4	4	4	-	-	-
10	320300	Rod, Push Button.....	1	1	1	-	-	-
11	150225	Handle, Door (Brass).....	1	1	1	-	-	-
12	431222	Pin, Spring (Stainless Steel) (3 1/16" x 1/8")....	1	1	1	-	-	-
		Previous Part No. 430412, 431213						
13	310125	Spring, Door Lock.....	1	1	1	-	-	-
14	430907	Washer, Nylon (Use As Needed).....	1	1	1	-	-	-
15	150227	Spacer, Door Handle (Brass).....	1	1	1	-	-	-
16	150229	Arm, Latch (Brass).....	1	1	-	-	-	-
	150224	Arm, Latch (Brass).....	-	-	1	-	-	-
17	430232	Nut, Fiber Lock (Plated) (#8-32).....	3	3	3	-	-	-
18	730143	Outer Panel Kit-OPL (Stainless Steel).....	1	-	-	-	-	-
19	430986	Screw, Stainless Steel (#8-32 x 3/8").....	4	-	-	-	-	-
20	610098	Trim, Outer Front Panel.....	1	-	-	-	-	-
18	730014	Outer Panel Kit-Coin (Stainless Steel).....	1	-	-	-	-	-
19	430986	Screw, Stainless Steel (#8-32 x 3/8").....	4	-	-	-	-	-
20	610098	Trim, Outer Front Panel.....	1	-	-	-	-	-
-	170209	Gasket, Door (O-Ring).....	1	-	-	-	-	-
18	730145	Outer Panel Kit-Coin (Harvest Gold).....	1	-	-	-	-	-
19	430986	Screw, Stainless Steel (#8-32 x 3/8").....	4	-	-	-	-	-
20	610098	Trim, Outer Front Panel.....	1	-	-	-	-	-
18	730012	Outer Panel Kit-Coin (Sunset Coral).....	1	-	-	-	-	-
19	430986	Screw, Stainless Steel (#8-32 x 3/8").....	4	-	-	-	-	-
20	610098	Trim, Outer Front Panel.....	1	-	-	-	-	-
18	730010	Outer Panel Kit-Coin (Almond).....	1	-	-	-	-	-
19	430986	Screw, Stainless Steel (#8-32 x 3/8").....	4	-	-	-	-	-
20	610098	Trim, Outer Front Door.....	1	-	-	-	-	-
18	730151	Outer Panel Kit-OPL (Stainless Steel).....	-	1	-	-	-	-
19	430986	Screw, Stainless Steel (#8-32 x 3/8").....	-	4	-	-	-	-
20	610097	Trim, Outer Front Panel.....	-	1	-	-	-	-

10/91

\*NEW PART

(-)=NOT SHOWN

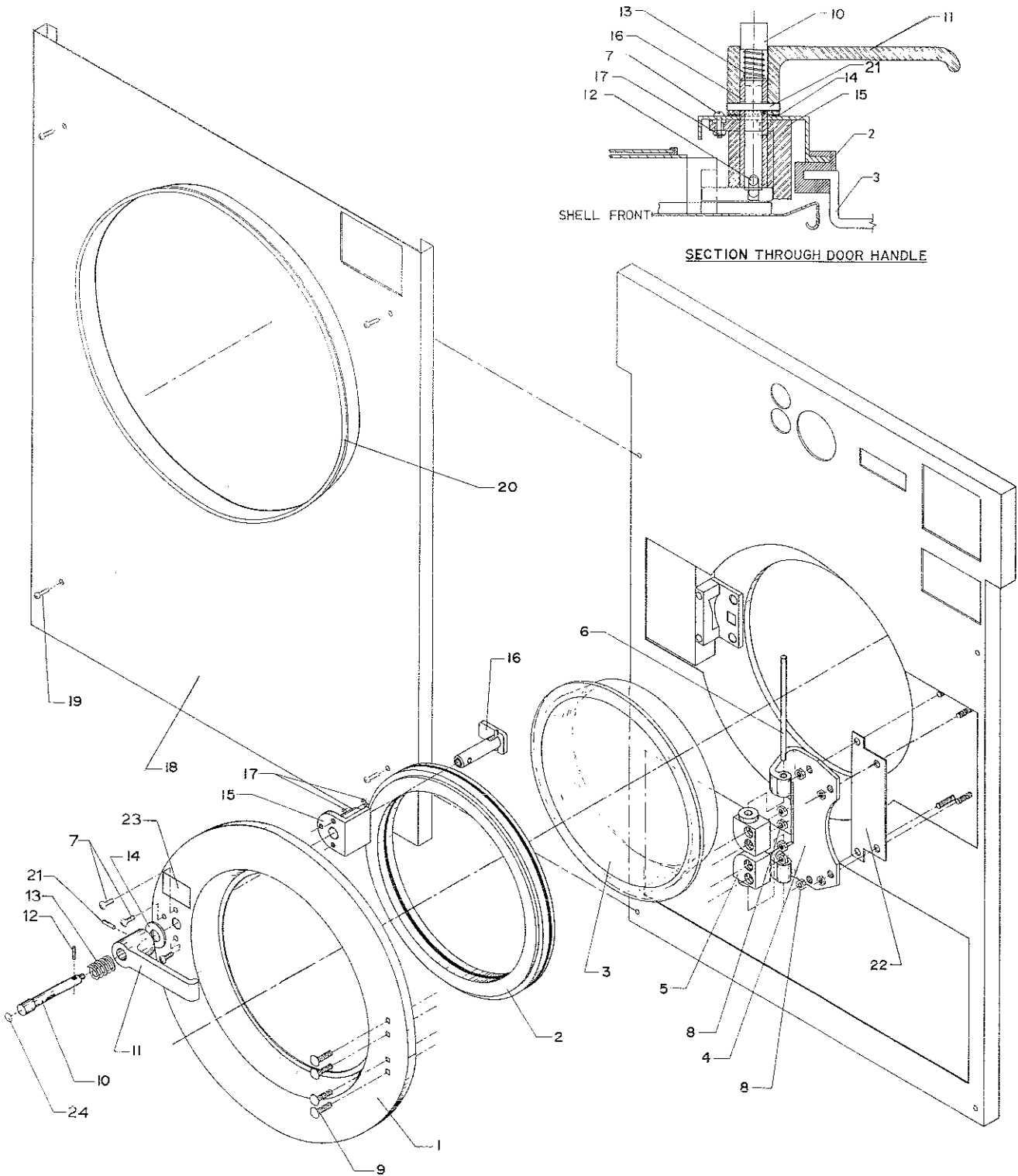
#=SERIES, SER PRE OR RUN NO.

M3FLW-12

Section: DOOR AND RELATED PARTS

P/N 55273

Models: AT18, 35, 50 (MC, MN, PC, PN Series 1 and 2)

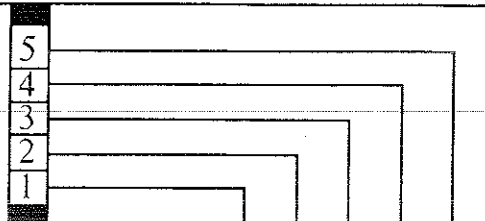


Section: DOOR & RELATED PARTS (MC, MN, PC, PN Series 1 & 2)

P/N 55273

Models:

AT50  
AT35  
AT18



NO.	PART NUMBER	DESCRIPTION	#SEE BELOW	1	2	3	4	5
18	730147	Outer Panel Kit-Coin (Stainless Steel).....	-	1	-	-	-	-
19	430986	Screw, Stainless Steel (#8-32 x 3/8").....	-	4	-	-	-	-
20	610097	Trim, Outer Front Panel.....	-	1	-	-	-	-
18	730145	Outer Panel Kit-Coin (Harvest Gold).....	-	1	-	-	-	-
19	430986	Screw, Stainless Steel (#8-32 x 3/8").....	-	4	-	-	-	-
20	641097	Trim, Outer Front Panel.....	-	1	-	-	-	-
18	730146	Outer Panel Kit-Coin (Sunset Coral).....	-	1	-	-	-	-
19	430986	Screw, Stainless Steel (#8-32 x 3/8").....	-	4	-	-	-	-
20	610097	Trim, Outer Front Panel.....	-	1	-	-	-	-
28	730144	Outer Panel Kit-Coin (Almond).....	-	1	-	-	-	-
19	430986	Screw, Stainless Steel (#8-32 x 3/8").....	-	4	-	-	-	-
20	610097	Trim, Outer Front Panel.....	-	1	-	-	-	-
18	730164	Outer Panel Kit-OPL (Stainless Steel).....	-	-	-	1	-	-
19	430986	Screw, Stainless Steel (#8-32 x 3/8").....	-	-	-	4	-	-
20	610105	Trim, Outer Front Panel.....	-	-	-	1	-	-
18	730160	Outer Panel Kit-Coin (Stainless Steel).....	-	-	-	1	-	-
19	430986	Screw, Stainless Steel (#8-32 x 3/8").....	-	-	-	4	-	-
20	610105	Trim, Outer Front Panel.....	-	-	-	1	-	-
21	431213	Pin, Spring (Stainless Steel) (3/16" x 1 1/8")....	1	1	1	-	-	-
22	602679	Hinge Shim (Use As Needed).....	-	-	-	-	-	-
23	230661	Decal, Push-Red-Button.....	1	1	1	-	-	-
24	230662	Decal, Red Dot.....	1	1	1	-	-	-

10/91

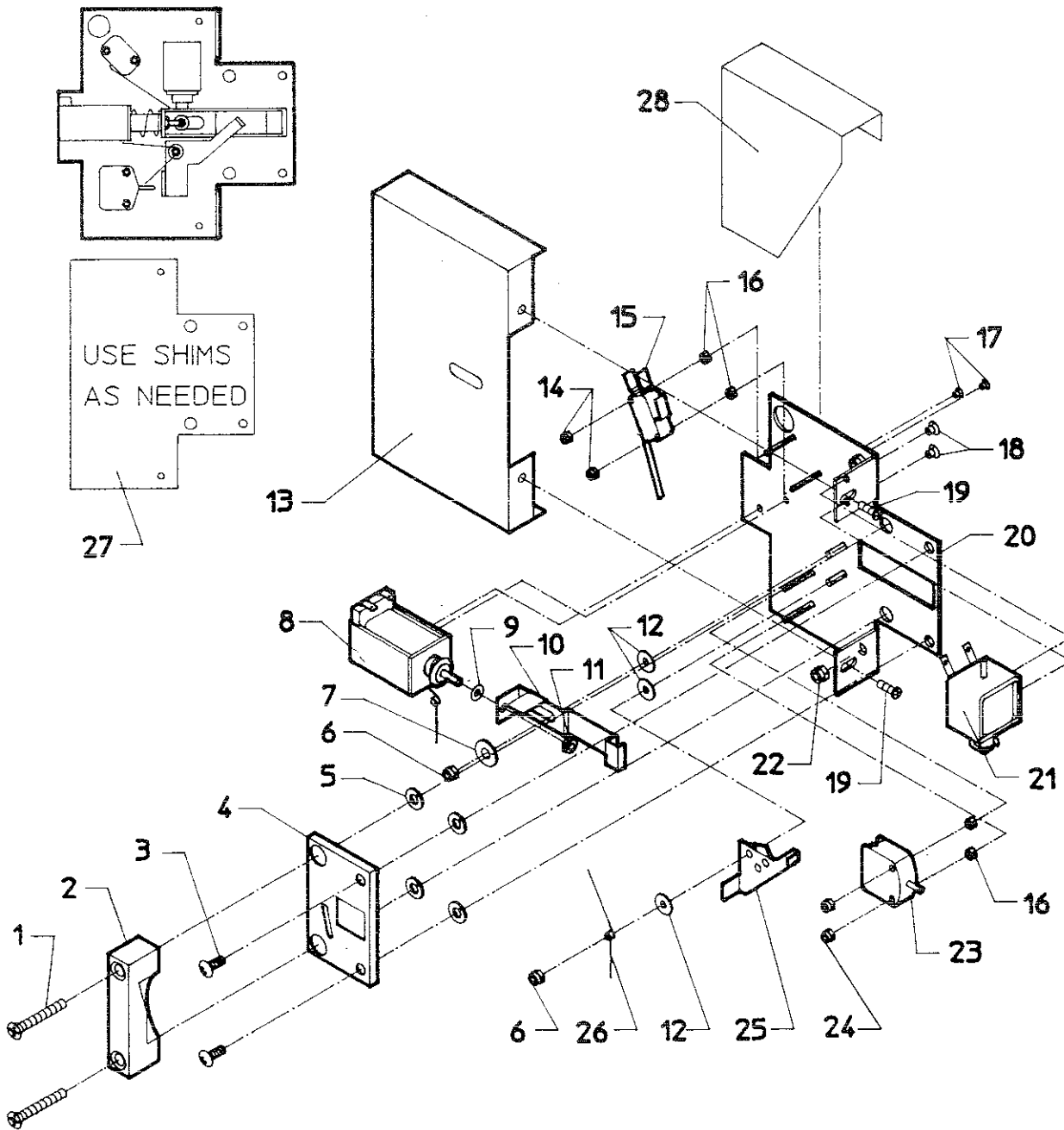
\*NEW PART

(-)= NOT SHOWN

#= SERIES, SER PRE OR RUN NO.

M3FLW-12

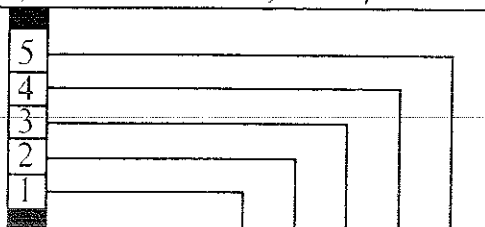
Models: AT18, 35, 50 (MC, PC, Series 1 and 2)



Section: DOOR SAFETY INTERLOCK - COIN MODELS (MC, PC Series 1 & 2) P/N 55273

Models:

AT50  
AT35  
AT18



NO.	PART NUMBER	DESCRIPTION	#SEE BELOW	1	2	3	4	5
*	604449	Lock Assy, Door (Complete W/Wires 110V Computer)..	1	1	1			
*	602509	Lock Assy, Door (Complete W/Wires 110V).....	1	1	1			
1	430983	Screw, Stainless Steel (1/4"-20 x 1 1/2").....	2	-	-			
	730982	Screw, Stainless Steel (1/4"-20 x 1 3/4").....	-	2	2			
2	150223	Catch, Door Lock.....	1	1	1			
3	430925	Screw, Stainless Steel (1/4"-20 x 1/2").....	2	-	-			
	430985	Screw, Stainless Steel (1/4"-20 x 5/8").....	-	2	2			
4	602567	Plate, Cover (Door Lock).....	1	1	1			
5	431100	Washer, Split Lock (Stainless Steel) (1/4").....	2	2	2			
6	430232	Nut, Fiber Lock (Plated) (#8-32).....	2	2	2			
7	431903	Washer, Shoulder (Teflon) (#8).....	1	1	1			
8	<del>300112</del>	Solenoid, Door Lock (Complete)..... <i>F300128P</i>	1	1	1			
		Release (110V).....	1	1	1			
9	431123	Washer, Flat (Stainless Steel) (#10).....	1	1	1			
10	602540	Stop, Pushbutton.....	1	1	1			
11	430220	Nut, Fiber Lock (Plated) (#10-32).....	1	1	1			
12	431902	Washer, Teflon (#8).....	3	3	3			
13	603003	Cover, Door Lock Plate.....	1	1	1			
14	430225	Nut, Fiber Lock (Plated) (#4-40).....	2	2	2			
15	340919	Micro-Switch, Door Lock.....	1	1	1			
16	431901	Washer, Nylon (#6).....	4	4	4			
17	430977	Screw, Stainless Steel (#6-32 x 3/16").....	2	2	2			
		Previous Part No. 430972						
18	430978	Screw, Stainless Steel (#8-32 x 3/16").....	2	2	2			
19	430133	Screw, Plated (#8-18 x 3/8").....	2	2	2			
20	602511	Plate, Door Lock.....	1	1	1			
21	300113	Solenoid, Door Lock (Complete) (110V).....	1	1	1			
22	431215	Nut, Fiber Lock (Plated) (1/2"-20).....	2	2	2			
23	340200	Switch, Door.....	1	1	1			
24	431231	Nut, Fiber Lock (Plated) (#6-32).....	2	2	2			
25	602524	Lever, Switch.....	1	1	1			
26	310110	Spring.....	1	1	1			
27	603185	Shim, Door Lock Plate (Use As Needed).....	-	-	-			
28	320200	Shield, Splash (Door Lock).....	1	1	1			

10/91

\*NEW PART

(-) = NOT SHOWN

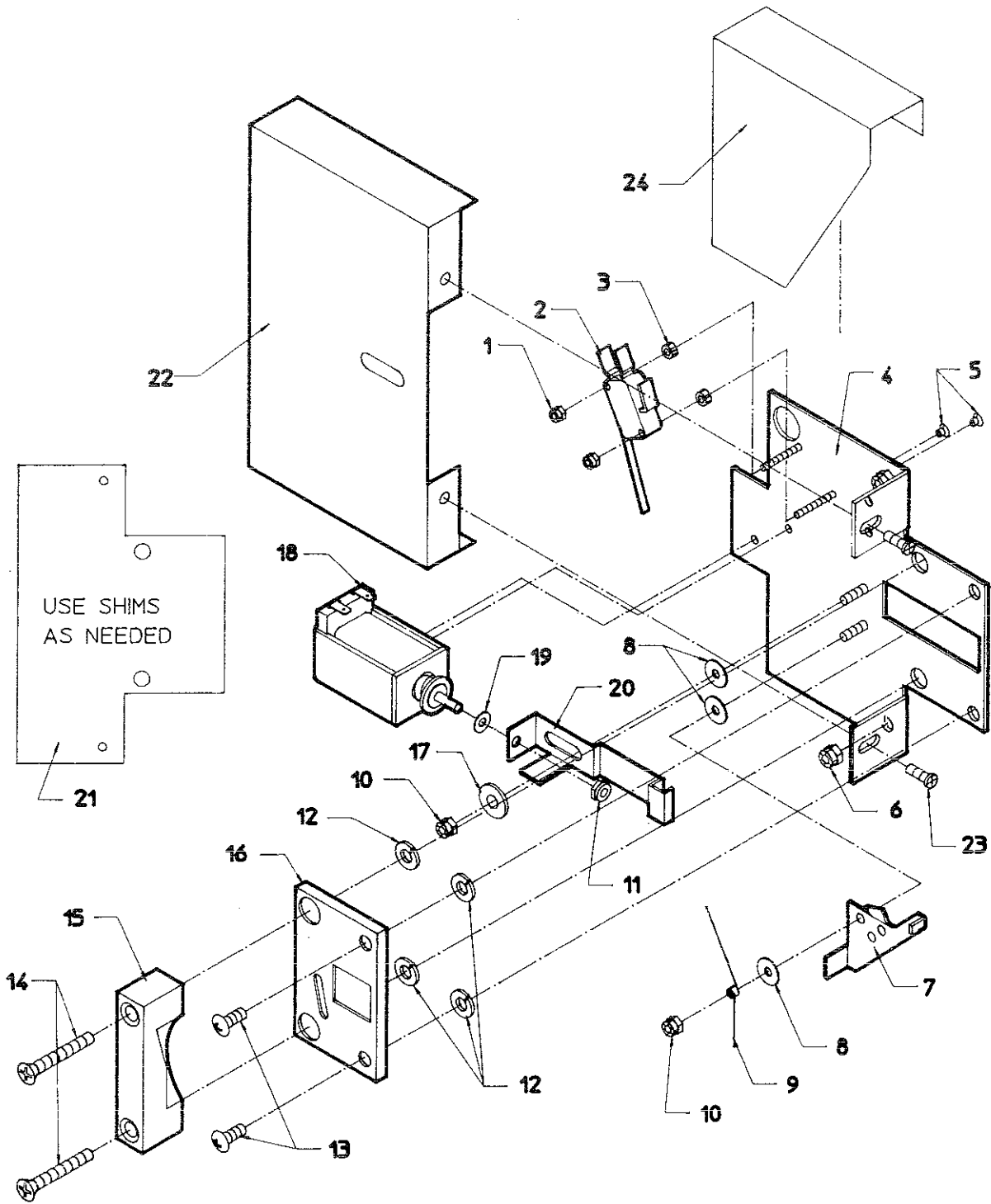
# = SERIES, SER PRE OR RUN NO.

M3FLW-13

Section: DOOR SAFETY INTERLOCK, OPL MODELS

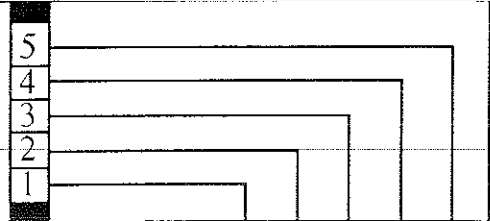
P/N 55273

Models: AT18, 35, 50 (MN, PN, Series 1 and 2)



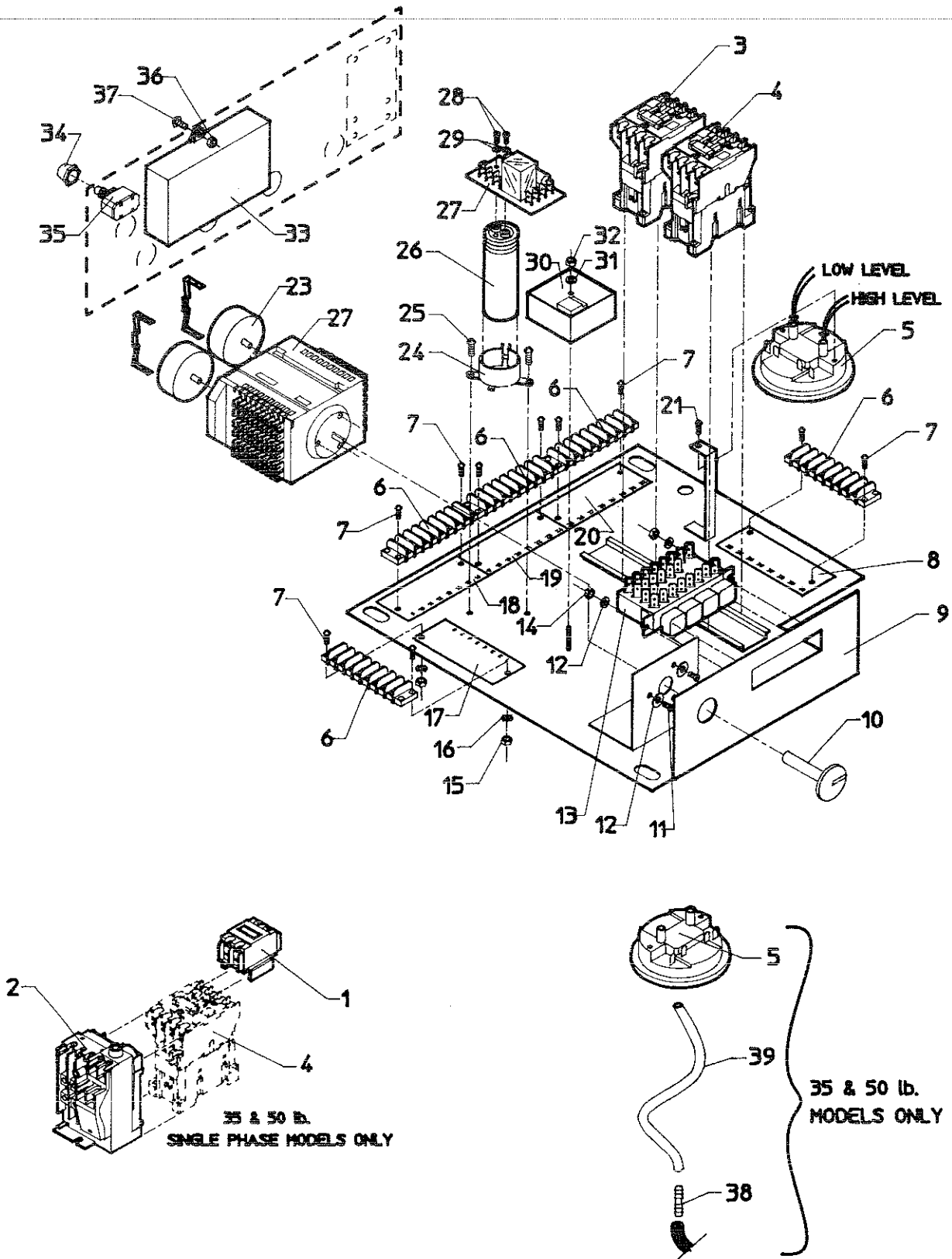
Models:

AT50  
AT35  
AT18



NO.	PART NUMBER	DESCRIPTION	#SEE BELOW	1	2	3	4	5
1	430225	Nut, Fiber Lock (#4-40).....	1	1	1			
2	340919	Micro-Switch, Door Lock.....	1	1	1			
3	431901	Spacer, Nylon (#6).....	4	4	4			
4	605394	Lock, Door.....	1	1	1			
5	430978	Screw.....	2	2	2			
6	430215	Nut, Nylon.....	2	2	2			
7	605381	Lever, Door Lock.....	1	1	1			
8	431902	Washer, Teflon (#8).....	3	3	3			
9	310110	Spring, Torison.....	1	1	1			
10	430232	Nut, Fiber Lock (#8-32).....	2	2	2			
11	430220	Nut, Fiber Lock (#10-32).....	1	1	1			
12	431100	Washer, Splitlock (1/4").....	4	4	4			
13	430925	Screw (1/4"-20 x 1/2").....	2	2	2			
14	430983	Screw.....	2	2	2			
15	150223	Catch, Door Lock.....	1	1	1			
16	602567	Cover, Door Lock.....	1	1	1			
17	431903	Washer, Shoulder (Teflon).....	1	1	1			
18	300112	Solenoid, Door Release (110V DC).....	1	1	1			
19	431123	Washer (#10 SAE).....	1	1	1			
20	605382	Stop, Pushbutton.....	1	1	1			
21	603185	Plate, Shim (Door Lock) (Use As Needed).....	-	-	-			
22	603003	Cover, Door Lock Assy.....	1	1	1			
23	430174	Screw (#8-18 x 3/8").....	2	2	2			
24	320200	Shield, Splash (Door Lock).....	1	1	1			

Models: AT18, 35, 50 (MCI, MN1)



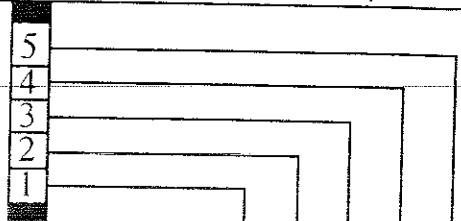


Section: CONTROL MODULE

P/N 5527

Models:

AT50MC1, MN1  
 AT35MC1, MN1  
 AT18MC1, MN1

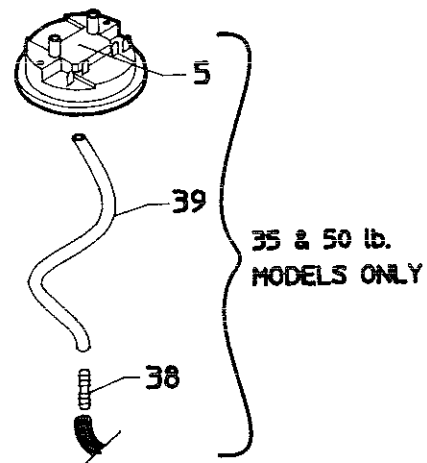
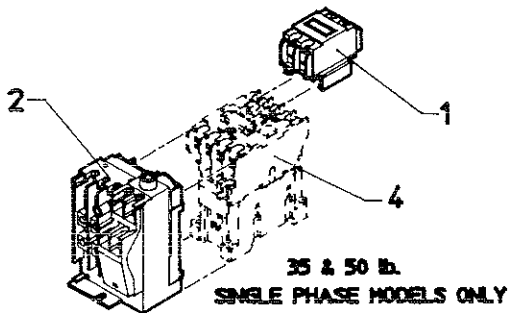
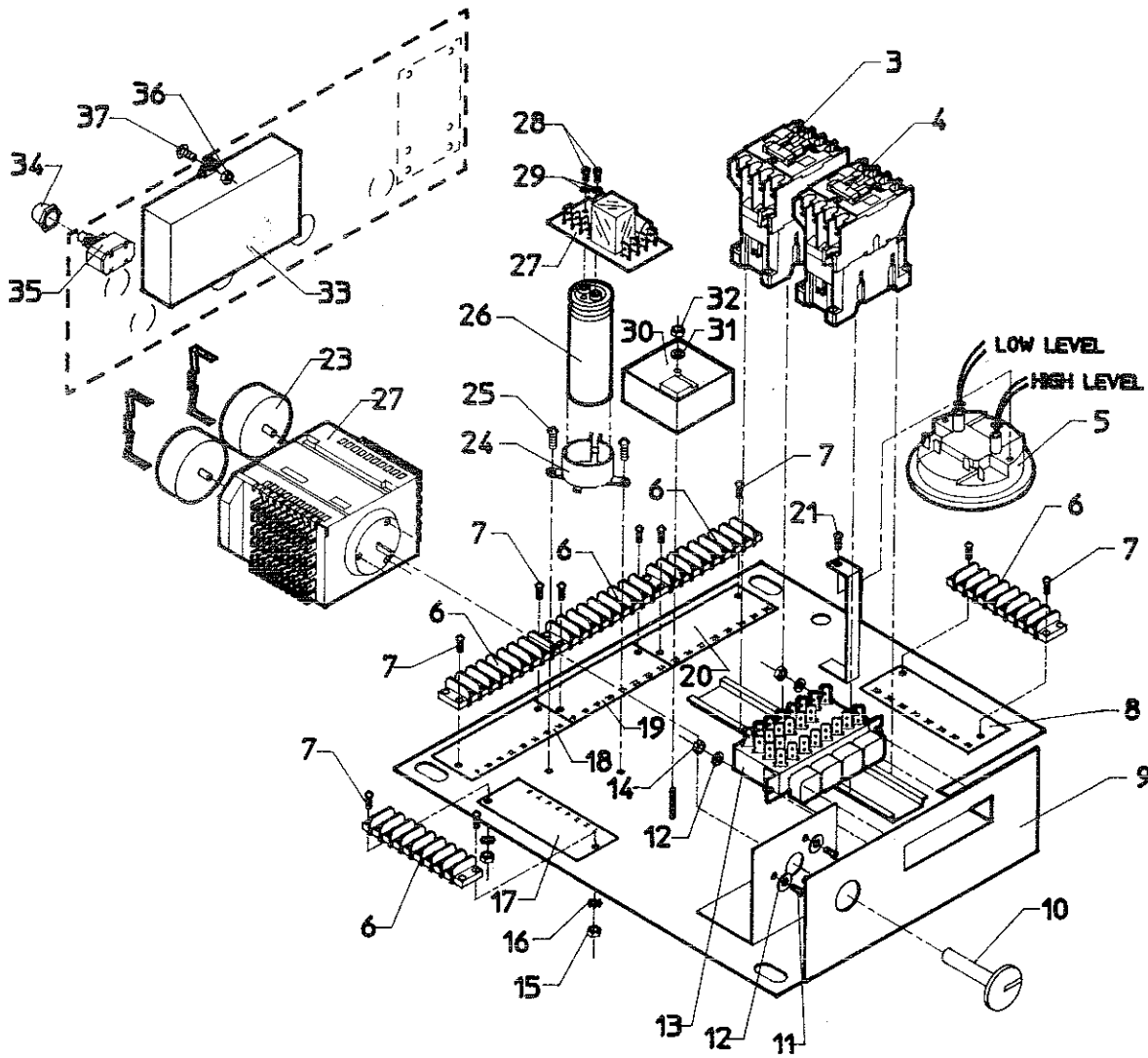


NO.	PART NUMBER	DESCRIPTION	#SEE BELOW					
			1	2	3	4	5	
1	330145	Contactora, Auxiliary (Allen Bradley, 1 Ph).....	-	1	1			
2	330401	Protector, Overload (Allen Bradley).....	-	1	-			
	330216	Protector, Overload (Benedikt & Jager).....	-	1	-			
	330236	Protector, Overload (Allen Bradley).....	-	-	1			
3	<del>330146</del> <i>E330175P</i>	Contactora (110V/50Hz, 120V/60Hz) (NX-101).....	-	-	1			
	330504	Coil, Replacement (110V/50-60Hz) (K2-7 & 16).....	-	-	-			
4	<del>330146</del> <i>E330175P</i>	Contactora (110V/50Hz, 120V/60Hz) (NX-101).....	-	-	1			
	330225	*Relay (110V/50Hz, 120V/60Hz) (700 Series).....	1	1	1			
	330109	*Relay (110V/50Hz, 120V/60Hz).....	1	1	1			
		(K2-07A22) Benedikt & Jager						
	330504	Coil, Replacement (110V/50-60Hz) (K2-7 & 16).....	-	-	-			
*NOTE: These relays are used on machines where the P.C. boards (Item #27) do not include the relay.								
5	340302	Switch, Dual Level.....	1	-	-			
	340307	Switch, Dual Level.....	-	1	-			
	340306	Switch, Dual Level.....	-	-	1			
6	140738	Strip, Terminal.....	5	5	5			
		Previous Part No. 140730						
7	430916	Screw, Stainless Steel (#6-32 x 1/2").....	10	10	10			
8	140916	Insulator, Terminal Strip (33-40).....	1	1	1			
9	602273	Panel, Electrical (Sub-Assembly).....	1	1	1			
10	150315	Indicator, Cycle.....	1	1	1			
11	430948	Screw, Stainless Steel (M4 x 8).....	3	3	3			
12	431123	Washer, Stainless Steel (Flat) (#10).....	5	5	5			
13	340410	Switch, Cycle Selector (Pushbutton).....	1	1	1			
14	430213	Nut, Fiber Lock (#6-32).....	1	1	2			
		Previous Part No. 430225						
15	431401	Nut, Brass (6-32).....	10	10	10			
16	431113	Washer, Stainless Steel (#6) (Ext. Tooth).....	10	10	10			
17	140912	Insulator, Terminal Strip (1-8).....	1	1	1			
18	140913	Insulator, Terminal Strip (9-16).....	1	1	1			
19	140914	Insulator, Terminal Strip (17-24).....	1	1	1			
20	140915	Insulator, Terminal Strip (25-32).....	1	1	1			
21	430928	Screw, Stainless Steel (#6-32 x 3/8").....	1	1	1			
22	160301	Timer, Cycle (110V/50Hz).....	1	1	1			
23	160539	Motor (110V/60Hz).....	2	2	2			
24	140612	Clamp, Capacitor Mtg.....	1	1	1			
25	430917	Screw, Stainless Steel (#6-32 x 1/4").....	2	2	2			
26	370225	Capacitor.....	1	1	1			
27	604743	P.C. Board 110V (No Relay).....	1	1	1			
		Previous Part No. 370402						
	<del>605757</del>	P.C. Board 110V... <i>E370426-1P</i> .....	1	1	1			
		Previous Part Number <del>603825</del>						
28	430904	Screw, Stainless Steel (#10-32 x 3/8").....	2	2	2			
29	431108	Washer, Stainless Steel (#10) (Lock, Ext. Tooth).....	2	2	2			

Section: CONTROL MODULE

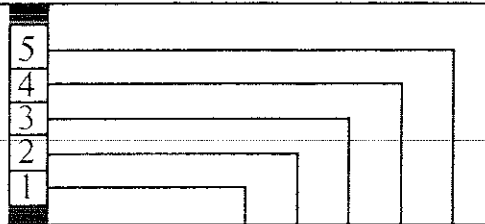
P/N 55273

Models: AT18, 35, 50 (MCI, MN1)

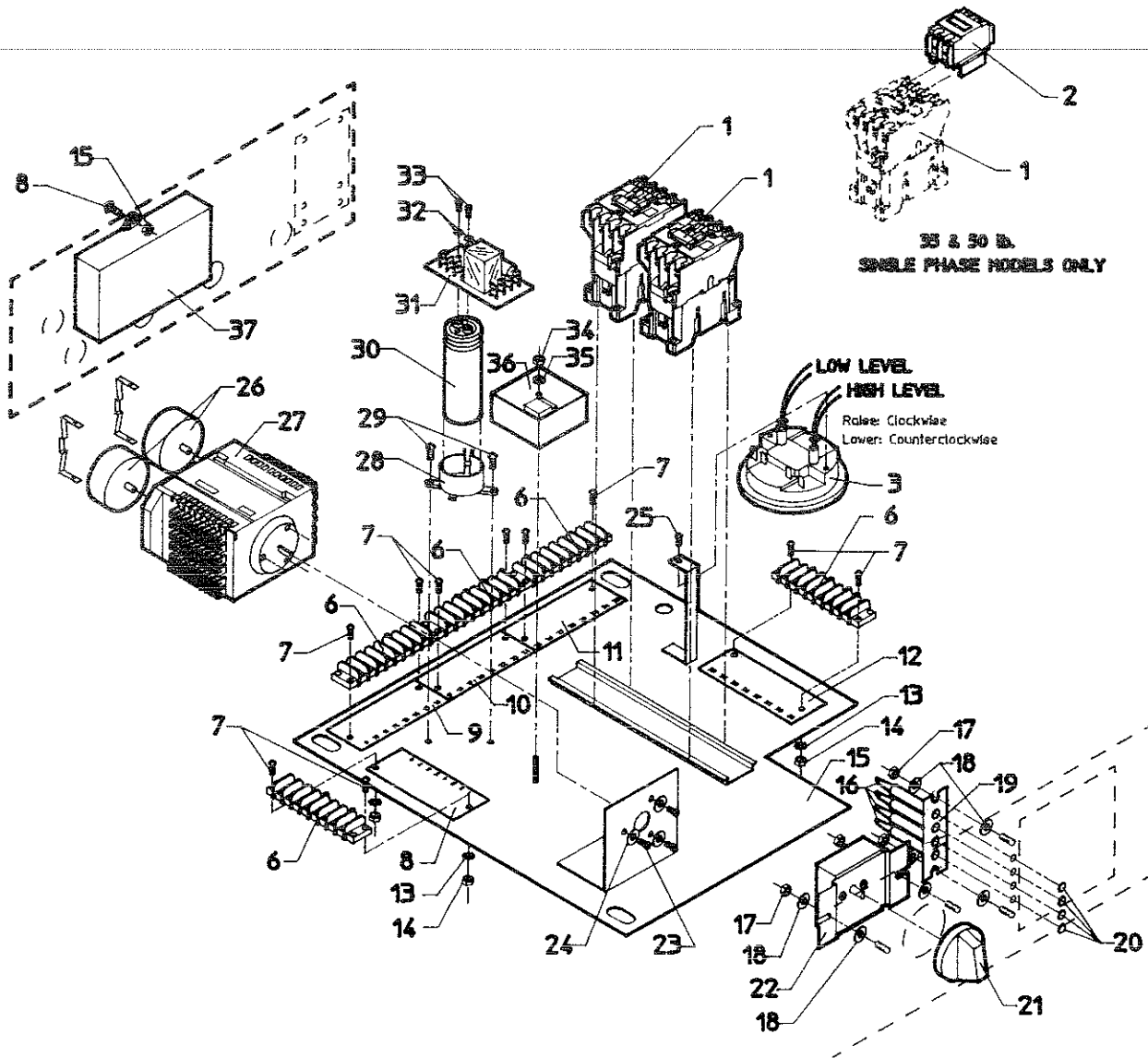


Models:

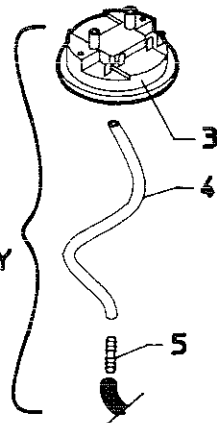
AT50MC1, MN1  
 AT35MC1, MN1  
 AT18MC1, MN1



NO.	PART NUMBER	DESCRIPTION	#SEE BELOW	1	2	3	4	5
30	330328	Timer, Delay (120V).....	1	1	1			
31	431100	Washer, Stainless Steel (Split Lock) (1/4").....	1	1	1			
32	430211	Nut (1/4"-20).....	1	1	1			
33	340001	Solid State Switch (220111/220118).....	-	1	-			
		Century 55 Amp, 330V						
	340002	Solid State Switch (222111/220120).....	-	-	1			
		Elmo 55 Amp, 260V						
34	340409	Boot, Push Button.....	1	1	1			
35	340403	Micro-Switch.....	1	1	1			
36	430231	Nut, Fiber Lock (#6-32).....	-	2	2			
37	430910	Screw, Stainless Steel (#6-32 x 3/4").....	-	2	2			
38	422500	Coupler, Hose (Pressure Switch).....	-	1	1			
39	610397	Extension, Air Line.....	-	1	1			

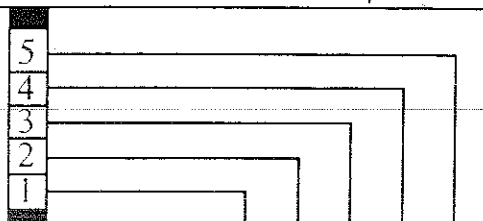


35 & 50 lb.  
MODELS ONLY



Models:

AT50MC2, MN2  
 AT35MC2, MN2  
 AT18MC2, MN2



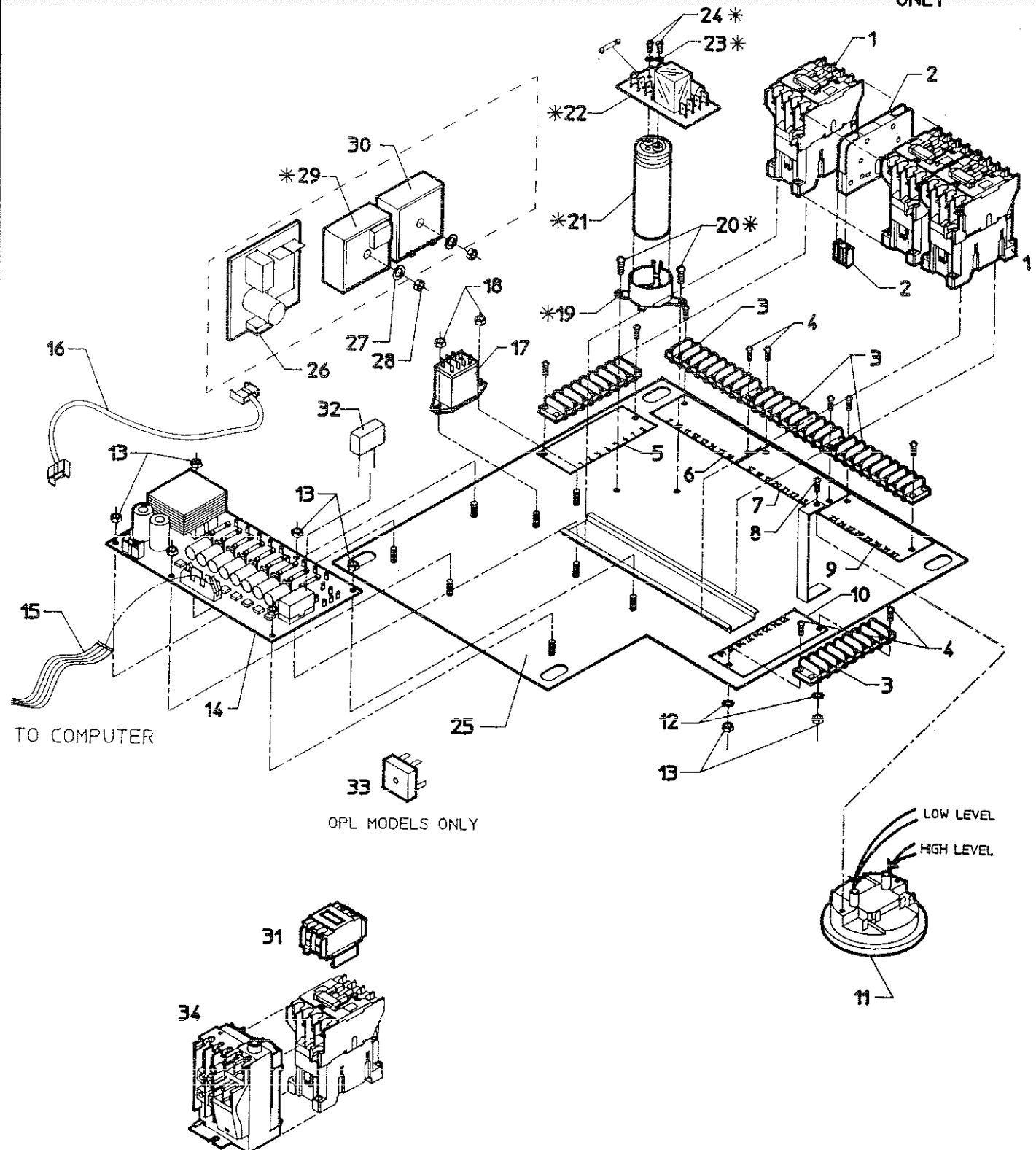
NO.	PART NUMBER	DESCRIPTION	#SEE BELOW	1	2	3	4	5
-	602773	Panel, Electrical (Complete).....	-	-	-			
1	330146	Contactor (NX-101-Allen Bradley).....	2	2	2			
2	330145	Contactor (Auxiliary-Allen Bradley).....	1	1	1			
3	340307	Switch, Dual Level.....	-	1	-			
	340306	Switch, Dual Level.....	-	-	1			
4	422500	Hose, Pressure Switch (Complete).....	1	1	1			
5	610397	Extension, Air Line.....	1	1	1			
6	140738	Strip, Terminal.....	5	5	5			
7	430916	Screw, Stainless Steel (#6-32 x 1/2").....	10	10	10			
8	140912	Insulator, Terminal Strip (1-8).....	1	1	1			
9	140913	Insulator, Terminal Strip (9-16).....	1	1	1			
10	140914	Insulator, Terminal Strip (17-24).....	1	1	1			
11	140915	Insulator, Terminal Strip (25-32).....	1	1	1			
12	140916	Insulator, Terminal Strip (33-40).....	1	1	1			
13	431113	Washer, Stainless Steel, (#6) (Ext. Tooth).....	10	10	10			
14	431401	Nut, Brass (#6-32).....	10	10	10			
15	602273	Panel, Electrical (Sub-Assembly).....	1	1	1			
16	350415	Light, Neon.....	4	4	4			
17	430232	Nut, Fiber Lock (Plated) (#8-32).....	4	4	4			
18	430311	Washer, Flat (Plated) (#8 SAE).....	8	8	8			
19	604985	Bracket, Indicator Light Mtg.....	4	4	4			
20	350416	Lens, Amber (Lexan) (Short).....	4	4	4			
21	190102	Indicator, Cycle.....	1	1	1			
22	340418	Switch, Cycle Select.....	1	1	1			
23	430948	Screw, Stainless Steel (M4 x 8).....	3	3	3			
24	431123	Washer, Stainless Steel (Flat) (#10).....	3	3	3			
25	430928	Screw, Stainless Steel (#6-32 x 3/8").....	1	1	1			
26	160539	Motor, Timer (120V/60Hz).....	2	2	2			
27	160301	Timer, Cycle (110V/50Hz).....	1	1	1			
28	140612	Clamp, Capacitor Mtg.....	1	1	1			
29	430917	Screw, Stainless Steel (#6-32 x 1/4").....	2	2	2			
30	370225	Capacitor.....	1	1	1			
31	605757	P.C. Board.....	1	1	1			
32	431108	Washer, Stainless Steel (#10) (Lock Ext. Tooth)...	2	2	2			
33	430904	Screw, Stainless Steel (#10-32 x 3/8").....	2	2	2			
34	430211	Nut (1/4"-20).....	1	1	1			
35	431100	Washer, Stainless Steel (Split Lock) (1/4").....	1	1	1			
36	330328	Timer, Delay (110V).....	1	1	1			
37	340001	Switch, Solid State.....	-	1	-			
	340002	Switch, Solid State.....	-	-	1			

Section: CONTROL MODULE

P/N 55273

Models: AT18, 35, 50 (PC2, PN2)

\* COIN MODELS ONLY

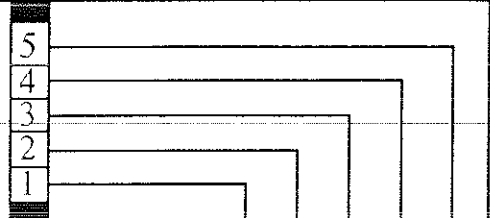


Section: CONTROL MODULE

P/N 55273

Models:

AT50PC2, PN2  
 AT35PC2, PN2  
 AT18PC2, PN2



NO.	PART NUMBER	DESCRIPTION	#SEE BELOW	1	2	3	4	5
1	330146	Contactor (120V-60Hz).....	3	3	3			
2	330152	Interlock, Mechanical.....	1	1	1			
3	140738	Strip, Terminal.....	5	5	5			
4	430916	Screw.....	10	10	10			
5	140912	Decal, Terminal Strip (1-8).....	1	1	1			
6	140913	Decal, Terminal Strip (9-16).....	1	1	1			
7	140914	Decal, Terminal Strip (17-23).....	1	1	1			
8	430928	Screw.....	1	1	1			
9	140915	Decal, Terminal Strip (25-32).....	1	1	1			
10	140916	Decal, Terminal Strip (33-40).....	1	1	1			
11	340302	Switch, Water Level.....	1	-	-			
	340307	Switch, Water Level.....	-	1	-			
	340306	Switch, Water Level.....	-	-	1			
12	431113	Washer.....	10	10	10			
13	431401	Nut.....	16	16	16			
14	370519	Board, Relay.....	1	1	1			
	350109	Fuse (1/2 Amp).....	10	10	10			
	350108	Fuse (1/8 Slo Blo).....	1	1	1			
15	140216	Cable.....	1	1	1			
16	604456	Harness, Battery.....	1	1	1			
17	330227	Relay.....	1	1	1			
18	431401	Nut.....	2	2	2			
19	140612	Clamp, for Capacitor.....	1	1	1			
20	430917	Screw.....	2	2	2			
21	370225	Capacitor.....	1	1	1			
22	605757	PC Board, Door Lock.....	1	1	1			
23	431108	Washer.....	2	2	2			
24	430904	Screw.....	2	2	2			
25	604462	Panel, Electrical (Sub-Assembly).....	1	1	1			
26	370529	Board, Battery Back-Up.....	1	1	1			
27	431100	Washer.....	2	2	2			
28	430211	Nut.....	2	2	2			
29	330335	Relay, Time Delay (120V).....	1	1	1			
30	330203	Relay, Time Delay (120V).....	1	1	1			
31	330232	Contactor, Auxiliary.....	1	1	1			
32	330217	Filter, RC Network.....	1	1	1			
33	370310	Bridge, Rectifier (10 Amp-600V).....	1	1	1			
34	330401	Protector, Overload (Allen Bradley).....	-	1	-			
	330236	Protector, Overload (Allen Bradley).....	-	-	1			

10/91

\*NEW PART

(-)=NOT SHOWN

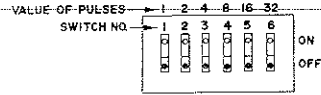
#=SERIES, SER PRE OR RUN NO.

M3FLW-8

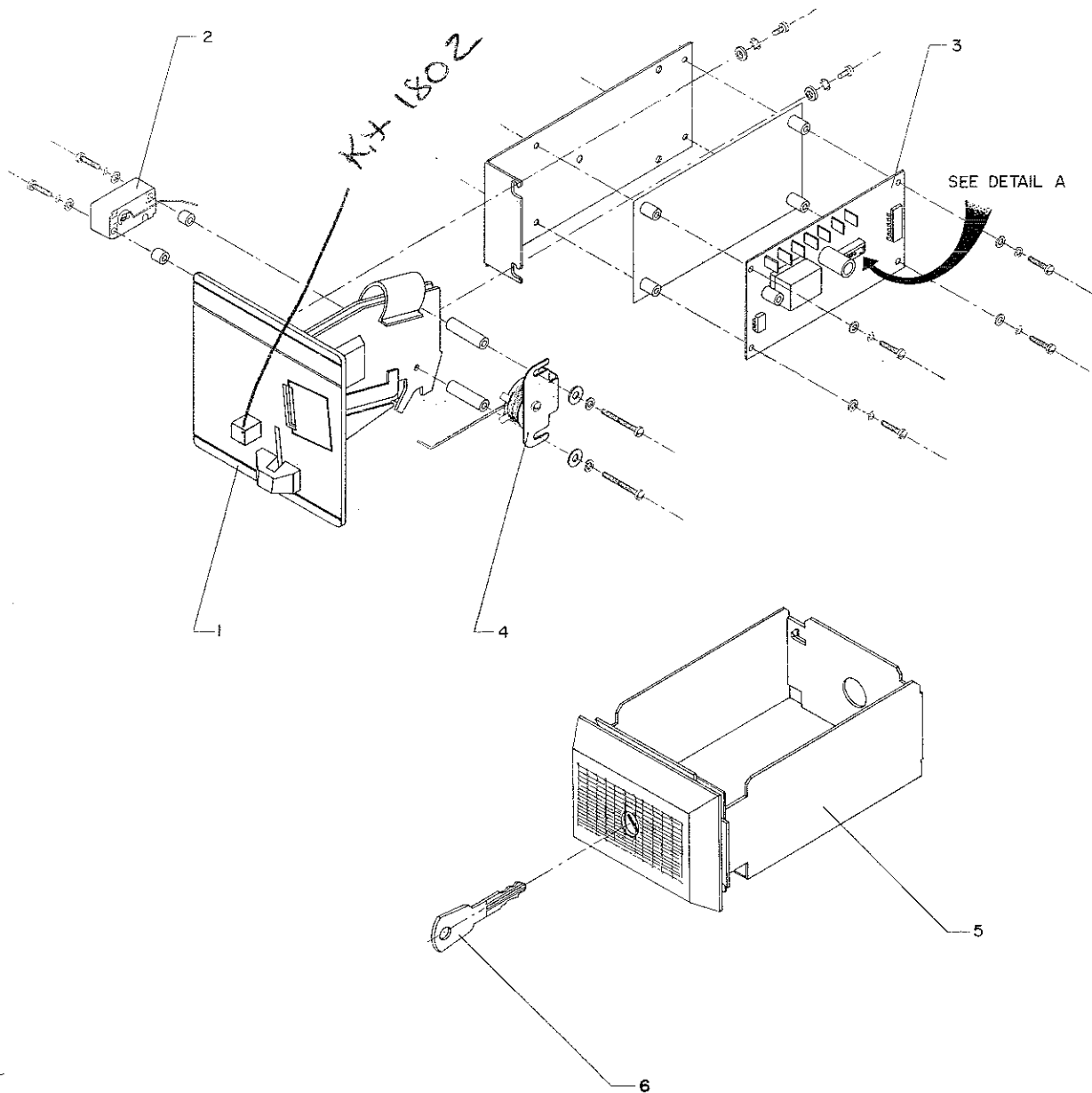
Section: COIN METER AND COIN BOX

P/N 55273

Models: AT18, 35, 50 (MC, MN, PC, PN, Series 1 and 2)



DETAIL A  
COIN COUNTER  
DIP SWITCHES



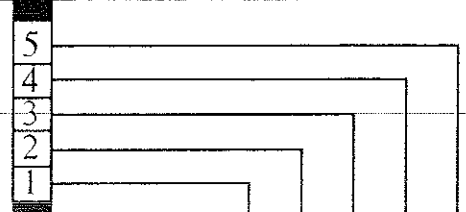


Section: COIN METER & COIN BOX

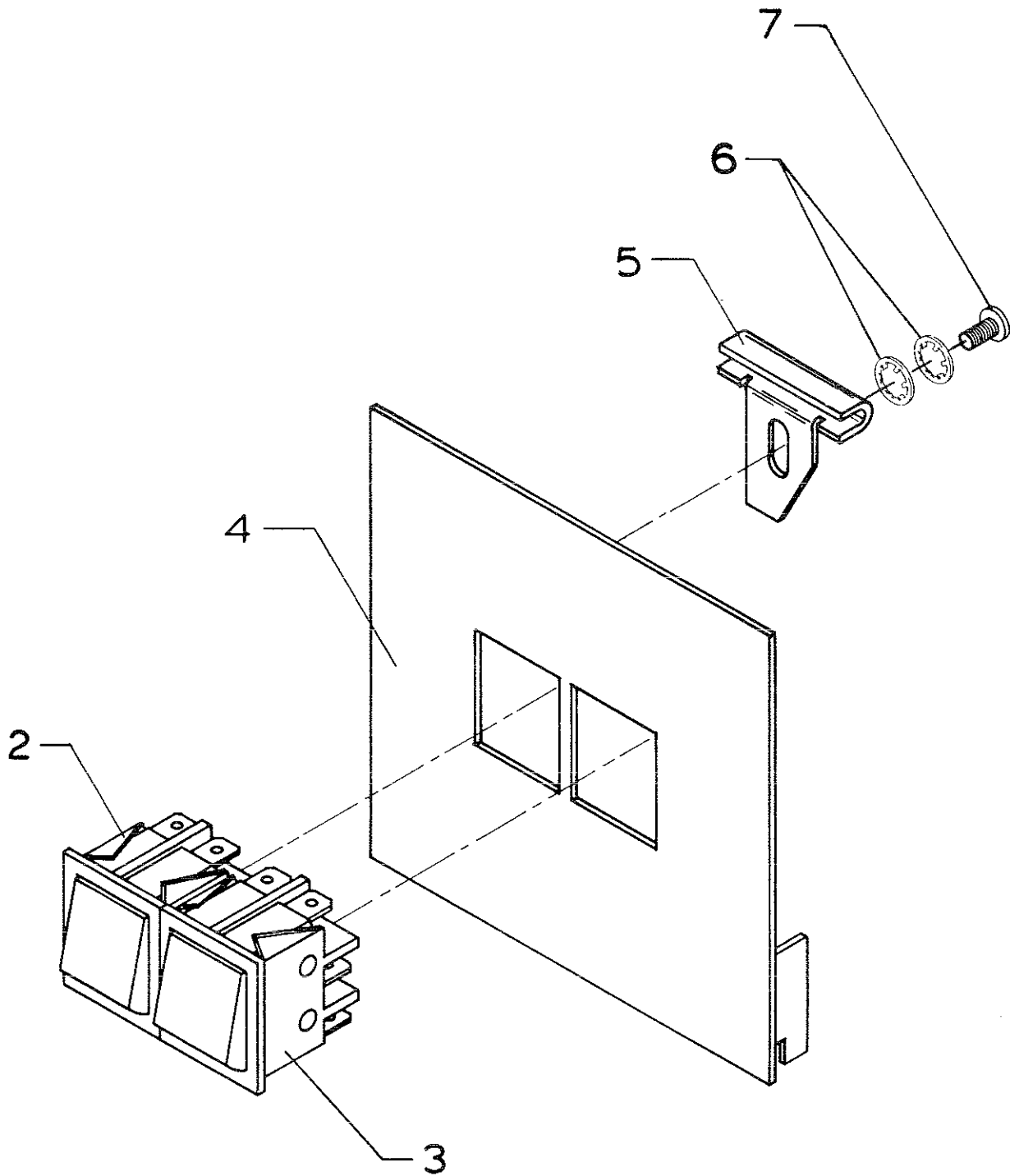
P/N 55273

Models:

AT50  
AT35  
AT18



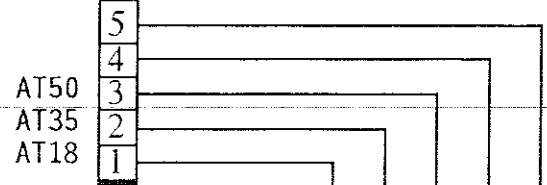
NO.	PART NUMBER	DESCRIPTION	#SEE BELOW	1	2	3	4	5
*	160605	Coin Meter, Complete (110V/50-60Hz)... <i>41-1045-41</i> - US Quarter						
*	160621	Coin Meter, Complete (110V/50-60Hz)..... - - - Canadian Quarter						
1	160559 -	Acceptor, Coin (US Quarter).....		1	1	1		
2	160558	Switch, Coin..... <i>Kit 1763</i>		1	1	1		
3	160556	Counter Board, Coin.....		1	1	1		
4	160557	Solenoid, Coin Blocking (120V) (AT Models Only)..		1	1	1		
	300117	Solenoid, Coin Blocking (220V) (AT Models Only)..		1	1	1		
5	160606	Coin Box With Key (MG1).....		1	1	1		
	160607	Coin Box With Key (MG2).....		1	1	1		
	160608	Coin Box With Key (MG3).....		1	1	1		
	160609	Coin Box With Key (MG4).....		1	1	1		
	160610	Coin Box With Key (MG5).....		1	1	1		
	160611	Coin Box With Key (MG6).....		1	1	1		
	160612	Coin Box With Key (MG7).....		1	1	1		
	160613	Coin Box With Key (MG8).....		1	1	1		
6	160565	Key (MG1).....		1	1	1		
	160566	Key (MG2).....		1	1	1		
	160567	Key (MG3).....		1	1	1		
	160568	Key (MG4).....		1	1	1		
	160569	Key (MG5).....		1	1	1		
	160570	Key (MG6).....		1	1	1		
	160571	Key (MG7).....		1	1	1		



Section: MANUAL START STOP CONTROL

P/N 55273

Models:

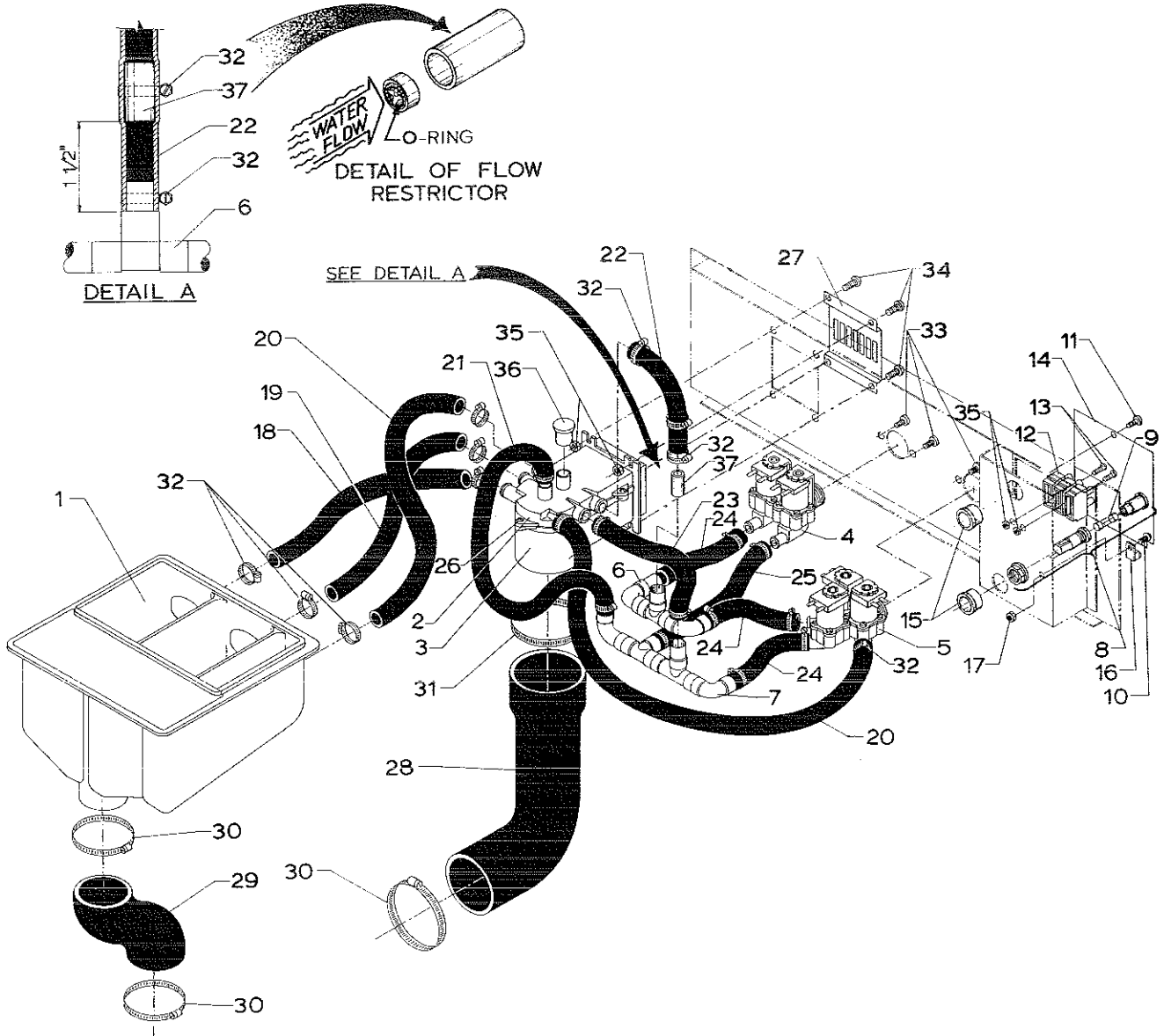


NO.	PART NUMBER	DESCRIPTION	#SEE BELOW	1	2	3	4	5
1	730016	Kit, Start/Stop Complete.....	1	1	1			
2	340411	Switch, Rocker (Red).....	1	1	1			
3	340412	Switch, Momentary.....	1	1	1			
4	230102	Cover, OPL Plate.....	1	1	1			
5		Bracket, Mounting.....	1	1	1			
6		Washer, Lock.....	2	2	2			
7		Screw.....	1	1	1			

Section: SOAP DISPENSER

P/N 55273

Models: AT18 (MC1, MC2, MN1, MN2, PC2, PN1 PN2)

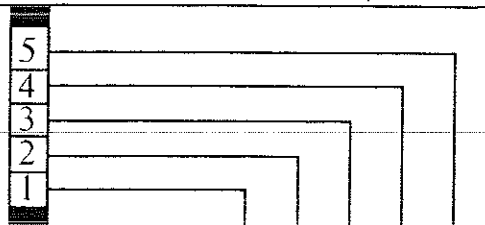


Section: SOAP DISPENSER

P/N 55273

Models:

AT18MC2, MN2, PC2, PN2  
AT18MC1, MN1, PN1



NO.	PART NUMBER	DESCRIPTION	#SEE BELOW	1	2	3	4	5
1	150307	Box, Soap Dispenser.....	1	1				
2	150329	Breaker, Vacuum (Top).....	1	1				
3	150330	Breaker, Vacuum (Bottom).....	1	1				
4	380719	Valve, Water (2 Way) (110-120V/50-60Hz) (Hot).....	1	1				
5	<del>380720</del> P-728-208	Valve, Water (3 Way) (110-120V/50-60Hz) (Cold)....	1	1				
		See Ill. No. 721139 Fig. 1 For Valve Parts						
6	603381	Manifold, Supply.....	1	1				
7	603380	Manifold, Fill.....	1	1				
8	350304	Holder, Fuse.....	1	1				
9	350104	Fuse (2 Amp).....	1	1				
		Previous Part No. 350140						
10	430903	Screw, Stainless Steel (#8-32 x 3/8").....	1	1				
11	430174	Screw, Plated (#8-18 x 3/8").....	1	1				
12	140747	Block (3 Way).....	1	1				
	140746	Block (4 Way) (3 Phase Only).....	1	1				
13	430938	Screw, Stainless Steel (#6-32 x 1").....	2	2				
14	602533	Plate, Cover (Rear).....	1	1				
15	140909	Bushing, Insulator.....	2	2				
16	140734	Connector, Ground.....	1	1				
17	430232	Nut, Fiber Lock (Plated).....	1	1				
18	610398	Hose.....	1	1				
19	610399	Hose.....	1	1				
20	610226	Hose.....	2	2				
21	610197	Hose.....	1	1				
22	610401	Hose (See Detail "A").....	1	1				
23	610390	Hose.....	1	1				
24	610384	Hose.....	3	3				
25	610241	Hose.....	1	1				
26	430903	Screw, Stainless Steel (#8-32 x 3/8").....	5	5				
		Previous Part No. 430171						
27	603151	Cover, Vacuum Breaker.....	1	1				
28	150321	Hose, Vacuum Breaker.....	1	1				
29	150309	Hose, Soap Dispenser.....	1	1				
30	200213	Clamp.....	3	3				
31	200219	Clamp.....	1	1				
32	200207	Clamp.....	23	23				
33	430948	Screw, Stainless Steel (M4 x 8).....	4	4				
34	430916	Screw, Stainless Steel (#6-32 x 1/2").....	4	4				
		Previous Part No. 430909						
35	430231	Nut, Fiber Lock (Plated).....	6	6				
		Previous Part No. 430321						
36	190301	Plug, Cap (Yellow).....	1	1				
37	603342	Flow Restrictor Assembly (See Detail "A").....	1	1				

10/91

\*NEW PART

(-)= NOT SHOWN

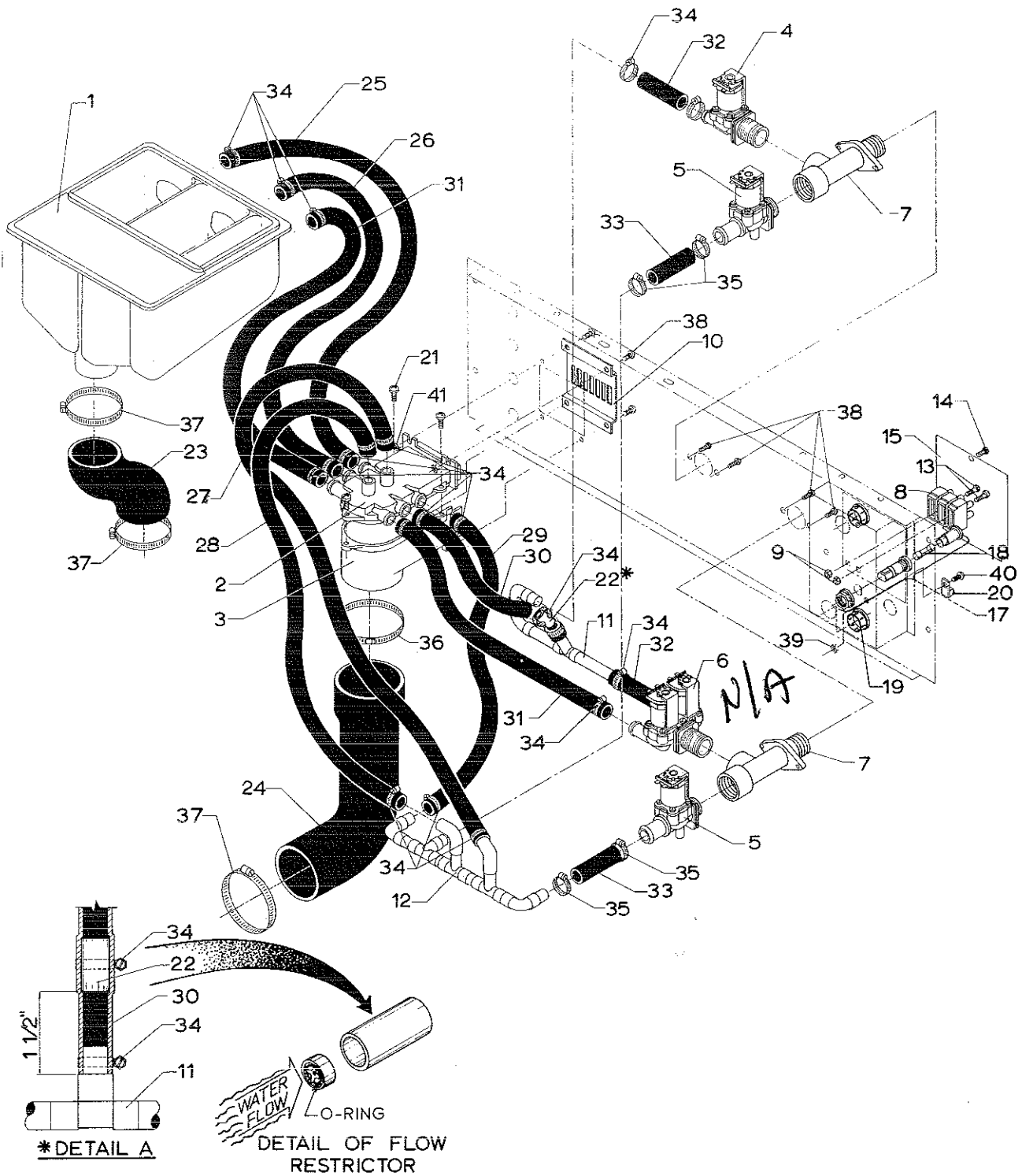
#= SERIES, SER PRE OR RUN NO.

M3FLW-9

Section: SOAP DISPENSER

P/N 55273

Models: AT35, 50 (MC1, MC2, MN1, MN2, PC2, PN1 PN2)

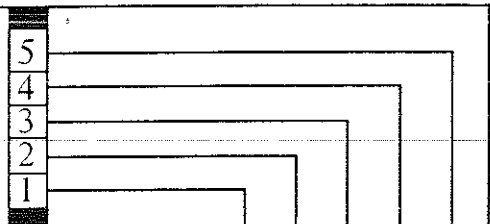


Section: SOAP DISPENSER

P/N 55273

Models:

AT50MC2, MN2, PC2, PN2  
 AT50MC1, MN1, PN1  
 AT35MC2, MN2, PC2, PN2  
 AT35MC1, MN1, PN1



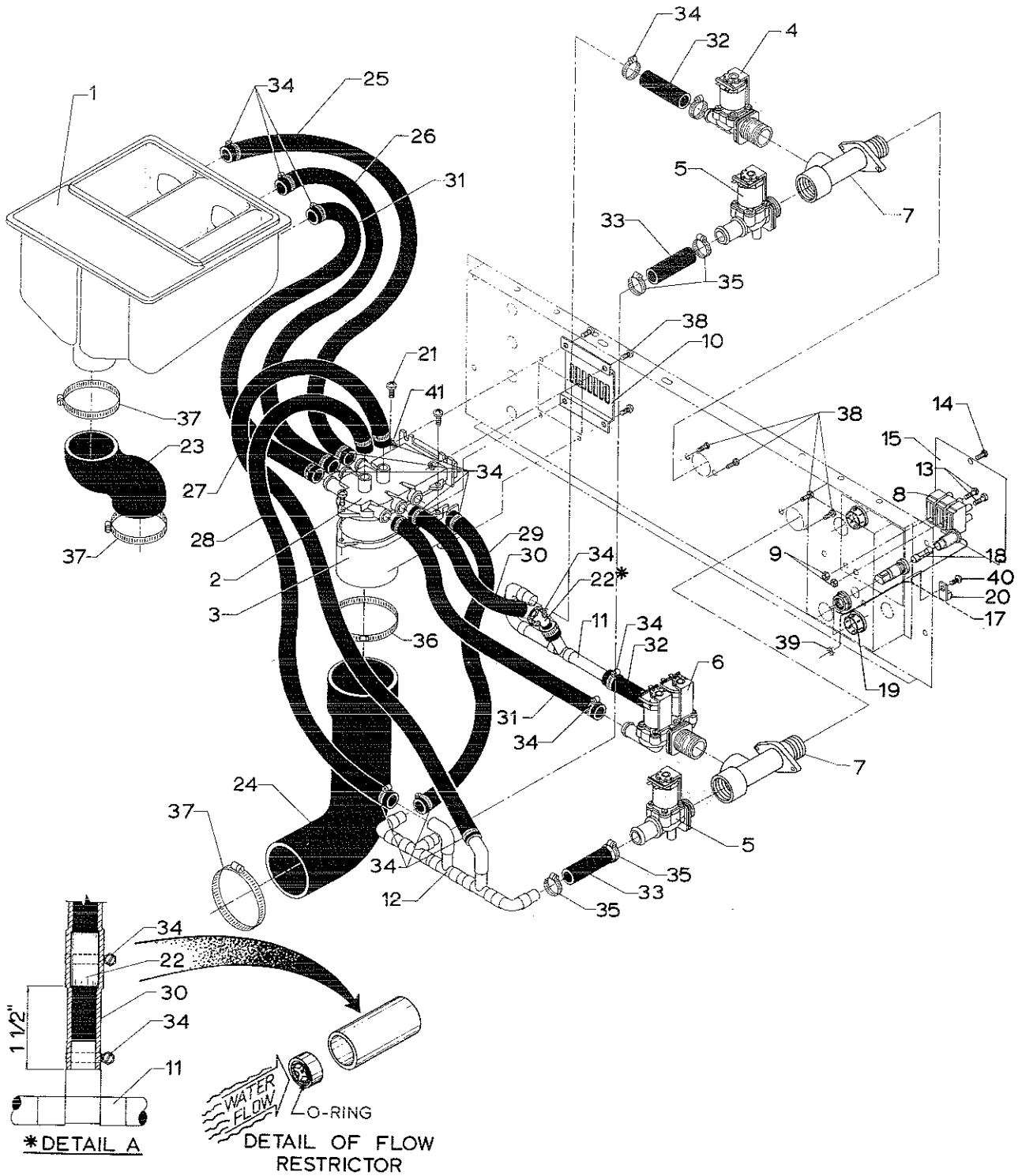
NO.	PART NUMBER	DESCRIPTION	#SEE BELOW				
			1	2	3	4	5
1	<del>150307</del>	Box, Soap Dispenser.....	1	1	1	1	
2	150329	Breaker, Vacuum (Top).....	1	1	1	1	
3	150330	Breaker, Vacuum (Bottom).....	1	1	1	1	
4	380722	Valve, Water (1 Way) (110-120V/50-60Hz).....	1	1	1	1	
5	380726	Valve, Water (1 Way) (110-120V/50-60Hz).....	2	2	-	-	
6	380721	Valve, Water (2 Way) (110-120V/50-60Hz)..... See Ill. 721139 - Fig. 1 for Valve Parts	1	1	-	-	
7	150241	Connector, Valve.....	2	2	2	2	
	430331	Gasket, Quad Ring.....	4	4	4	4	
8	140747	Block (3 Way).....	1	1	1	1	
	140746	Block (4 Way).....	1	1	1	1	
9	430231	Nut, Fiber Lock (Plated).....	2	2	2	2	
10	603151	Cover, Vacuum Breaker.....	1	1	1	1	
11	603388	Manifold, Supply.....	1	1	1	1	
12	603387	Manifold, Fill.....	1	1	-	-	
	603677	Manifold, Fill.....	-	-	1	1	
13	430938	Screw, Stainless Steel (#6-32 x 1").....	2	2	2	2	
14	430174	Screw, Plated (#8-18 x 3/8").....	1	1	1	1	
15	602533	Plate, Cover (Rear).....	1	1	1	1	
16	610404	Channel (Not Used).....	1	1	1	1	
17	350304	Holder, Fuse.....	1	1	1	1	
18	350104	Fuse (2 Amp).....	1	1	1	1	
19	140909	Bushing, Insulator.....	2	2	2	2	
20	140734	Connector, Ground.....	1	1	1	1	
21	430903	Screw, Stainless Steel (#8-32 x 3/8")..... Previous Part No. 430171	5	5	5	5	
22	603342	Flow Restrictor Assembly.....	1	1	1	1	
23	150309	Hose, Soap Dispenser.....	1	1	1	1	
24	150321	Hose, Vacuum Breaker.....	1	1	-	-	
	150340	Hose, Vacuum Breaker.....	-	-	1	1	
25	610125	Hose.....	1	1	-	-	
	610247	Hose.....	-	-	1	1	
26	610126	Hose.....	1	1	-	-	
	610387	Hose.....	-	-	1	1	
27	610398	Hose.....	1	1	-	-	
28	610085	Hose.....	1	1	-	-	
	610398	Hose.....	-	-	1	1	
29	610197	Hose.....	1	1	-	-	
	610088	Hose.....	-	-	1	1	
30	610128	Hose.....	1	1	-	-	
	610401	Hose.....	-	-	1	1	
31	610127	Hose.....	2	2	-	-	
	610383	Hose.....	-	-	2	2	
32	610384	Hose.....	2	2	-	-	
	610249	Hose.....	-	-	2	2	
33	610124	Hose.....	2	2	-	-	
	610249	Hose.....	-	-	2	2	

10/91	*NEW PART	(-) = NOT SHOWN	# = SERIES, SER PRE OR RUN NO.	M3FLW-10
-------	-----------	-----------------	--------------------------------	----------

Section: SOAP DISPENSER

P/N 55

Models: AT35, 50 (MC1, MC2, MN1, MN2, PC2, PN1, PN2)



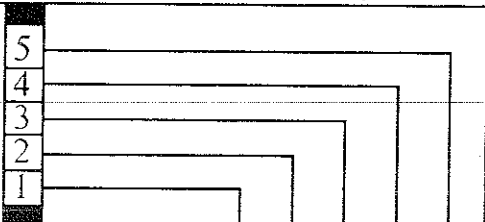


Section: SOAP DISPENSER

P/N 55273

Models:

AT50MC2, MN2, PC2, PN2  
 AT50MC1, MN1, PN1  
 AT35MC2; MN2, PC2, PN2  
 AT35MC1, MN1, PN1

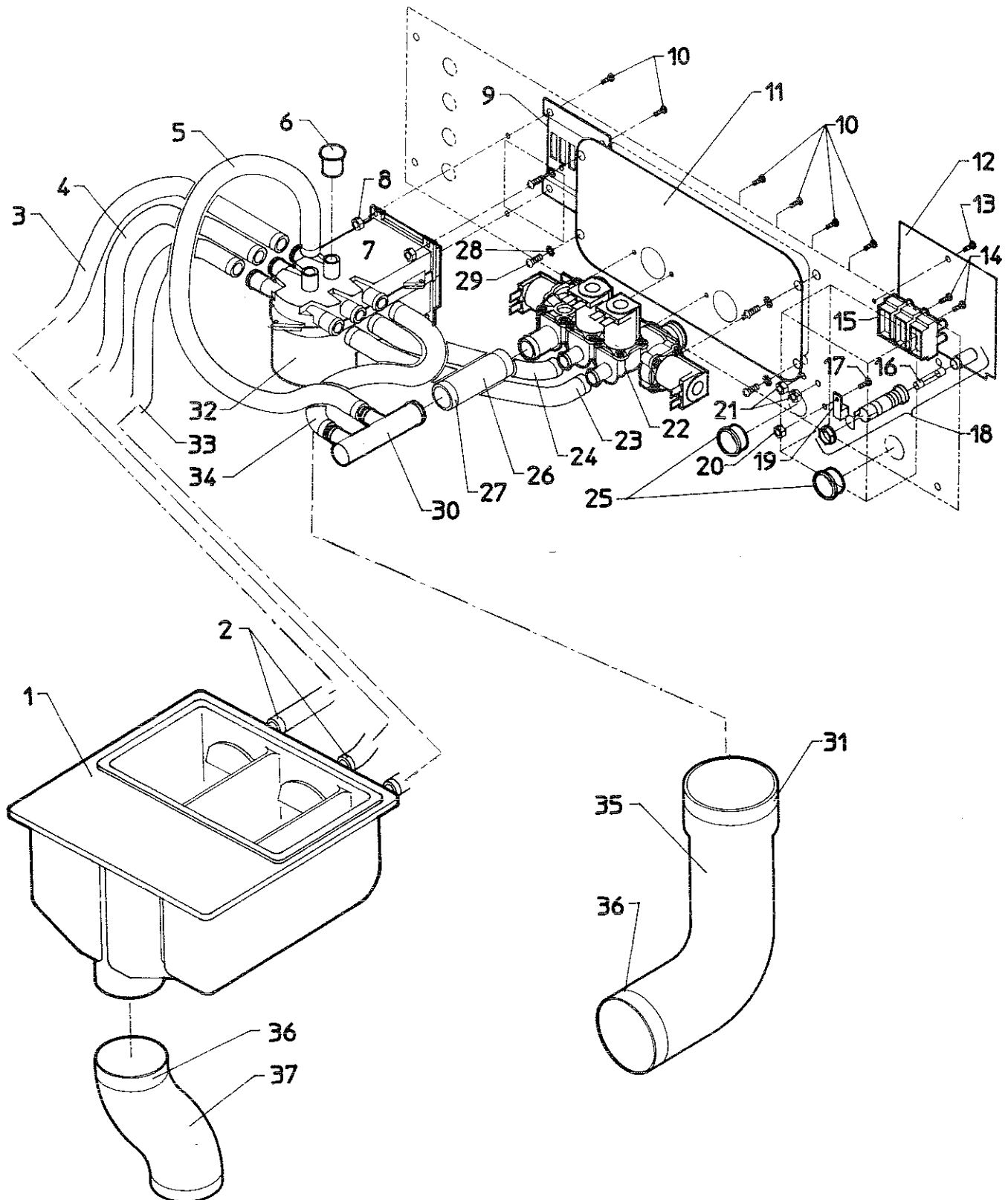


NO.	PART NUMBER	DESCRIPTION	#SEE BELOW	1	2	3	4	5
34	200207	Clamp (#8).....	21	21	21	21		
35	200205	Clamp (Size 10).....	4	4	-	-		
	200200	Clamp (Size 24).....	-	-	4	4		
36	200219	Clamp (Size 48).....	1	1	1	1		
37	200213	Clamp (Size 40).....	3	3	3	3		
38	430916	Screw, Stainless Steel (#6-32 x 1/2").....	10	10	10	10		
39	430232	Nut, Fiber Lock (Plated).....	1	1	1	1		
40	430903	Screw, Stainless Steel (#8-32 x 3/8").....	1	1	1	1		
41	430231	Nut, Fiber Lock (Plated).....	8	8	8	8		

Section: SOAP DISPENSER

P/N 55273

Models: AT18, 35, 50 (MC2, MN2, PC2, PN2)



Section: SOAP DISPENSER

P/N 55273

<b>Models:</b>  AT50MC2, MN2, PC2, PN2 AT35MC2, MN2, PC2, PN2 AT18MC2, MN2, PC2, PN2	5	
	4	
	3	
	2	
	1	

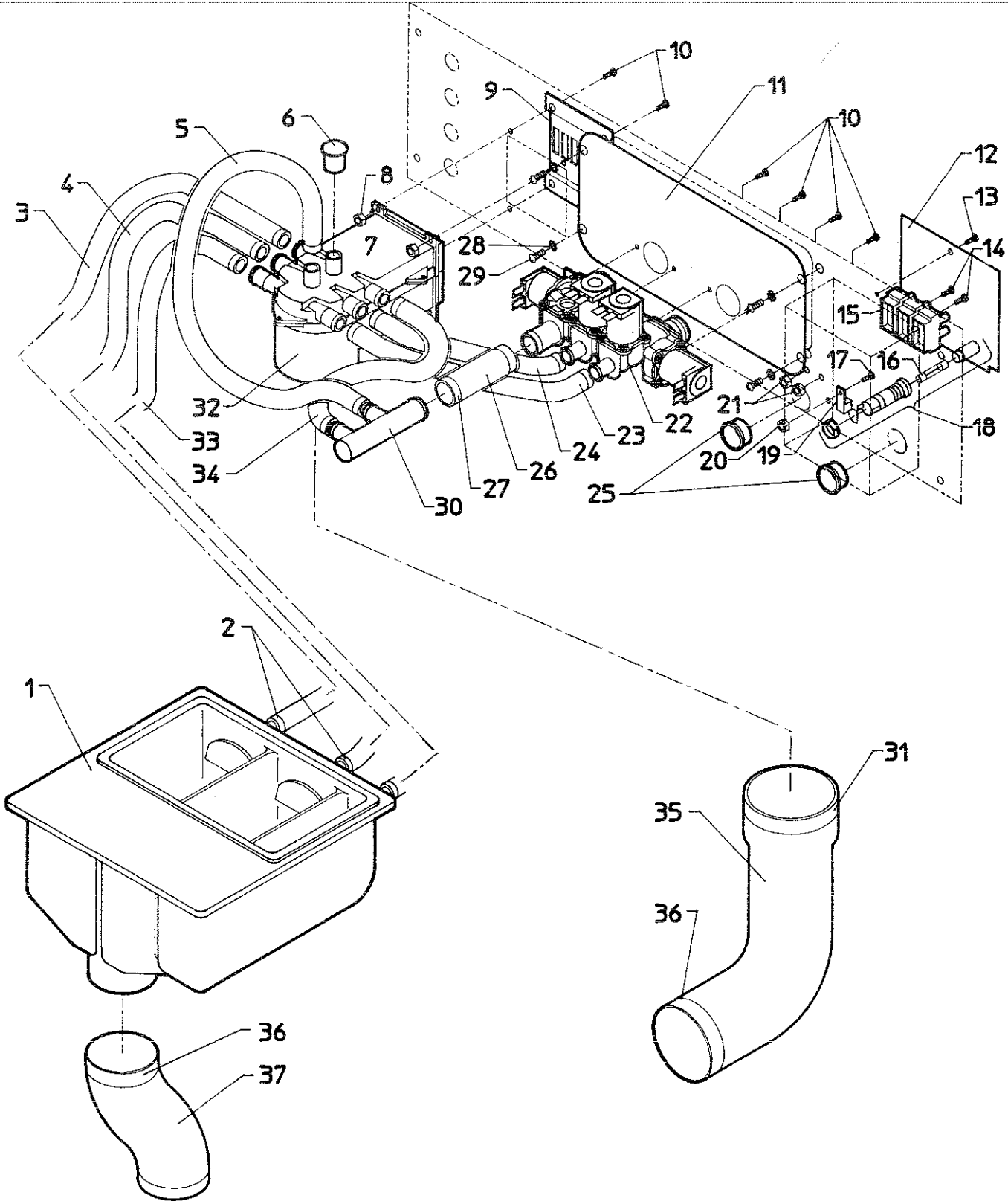
NO.	PART NUMBER	DESCRIPTION	#SEE BELOW					
				1	2	3	4	5
1	150307	Box, Soap Dispenser.....	1	1	1			
2	200207	Clamp, Hose.....	14	14	14			
3	610662	Hose (1/2" I.D. x 17").....	1	-	-			
	610798	Hose (1/2" I.D. x 24").....	-	1	-			
	610668	Hose (1/2" I.D. x 28").....	-	-	1			
4	610661	Hose (1/2" I.D. x 16").....	1	-	-			
	610797	Hose (1/2" I.D. x 23").....	-	1	-			
	610667	Hose (1/2" I.D. x 27").....	-	-	1			
5	610784	Hose (1/2" I.D. x 10 1/4").....	1	-	-			
	610793	Hose (1/2" I.D. x 12 1/2").....	-	1	-			
	610075	Hose (1/2" I.D. x 13").....	-	-	1			
6	190301	Plug, Yellow.....	1	1	1			
7	150329	Breaker, Vacuum (Top).....	1	1	1			
8	430231	Nut, Fiber Lock (#6-32).....	4	4	4			
9	603151	Cover, Vacuum Breaker.....	1	1	1			
10	430916	Screw (#6-32 x 1/2").....	8	8	8			
11	606595	Plate, Mixing Valve Mounting.....	1	1	1			
12	602533	Plate, Cover (Rear).....	1	1	1			
13	430174	Screw (#8-18 x 3/8").....	1	1	1			
14	430938	Screw (#6-32 x 1").....	2	2	2			
15	140747	Block (3 Way).....	1	1	1			
	140746	Block (4 Way).....	1	1	1			
16	350104	Fuse (2 Amp).....	1	1	1			
17	430903	Screw (#8-32 x 3/8").....	1	1	1			
18	350304	Holder, Fuse.....	1	1	1			
19	140734	Connector, Ground.....	1	1	1			
20	430232	Nut, Fiber Lock.....	1	1	1			
21	430231	Nut, Fiber Lock.....	1	1	1			
22	380740	Valve, Mixing (3 Way) (120V).....	1	1	1			
23	610786	Hose (1/2" I.D. x 12").....	1	-	-			
	610660	Hose (1/2" I.D. x 15").....	-	1	1			
24	610788	Hose (1/2" I.D. x 9 3/4").....	1	-	-			
	610075	Hose (1/2" I.D. x 13").....	-	1	-			
	610787	Hose (1/2" I.D. x 13 1/2").....	-	-	1			
25	140909	Grommet, Bushing.....	2	2	2			
26	606816-1	Hose (3/4" I.D. x 2 1/2").....	1	1	1			
27	200205	Clamp, Hose.....	2	2	2			
28	430322	Washer (1/4" Splitlock).....	4	4	4			
29	430929	Screw (1/4"-20 x 5/8").....	4	4	4			
30	150371	Connector, Fill (Manifold).....	1	1	1			
31	200219	Clamp, Hose.....	1	1	1			
32	150330	Breaker, Vacuum (Bottom).....	1	1	1			
33	610660	Hose (1/2" I.D. x 15").....	1	-	-			
	610797	Hose (1/2" I.D. x 23").....	-	1	-			
	610665	Hose (1/2" I.D. x 26").....	-	-	1			

10/91	*NEW PART	(-) = NOT SHOWN	# = SERIES, SER PRE OR RUN NO.	M3FLW-11
-------	-----------	-----------------	--------------------------------	----------

Section: SOAP DISPENSER

P/N 55273

Models: AT18, 35, 50 (MC2, MN2, PC2, PN2)

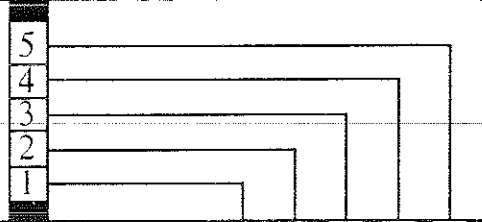


Section: SOAP DISPENSER

P/N 55273

Models:

AT50MC2, MN2, PC2, PN2  
 AT35MC2, MN2, PC2, PN2  
 AT18MC2, MN2, PC2, PN2



NO.	PART NUMBER	DESCRIPTION	#SEE BELOW	1	2	3	4	5
34	610665	Hose (1/2" I.D. x 7").....	1	-	-			
	610785	Hose (1/2" I.D. x 9 1/2").....	-	1	1			
	610660	Hose (1/2" I.D. x 15").....	-	-	1			
35	150321	Hose, Vacuum Breaker.....	1	1	-			
	150340	Hose, Vacuum Breaker.....	-	-	1			
36	200213	Clamp, Hose.....	3	3	3			
37	150309	Hose, Soap Dispenser.....	1	1	1			

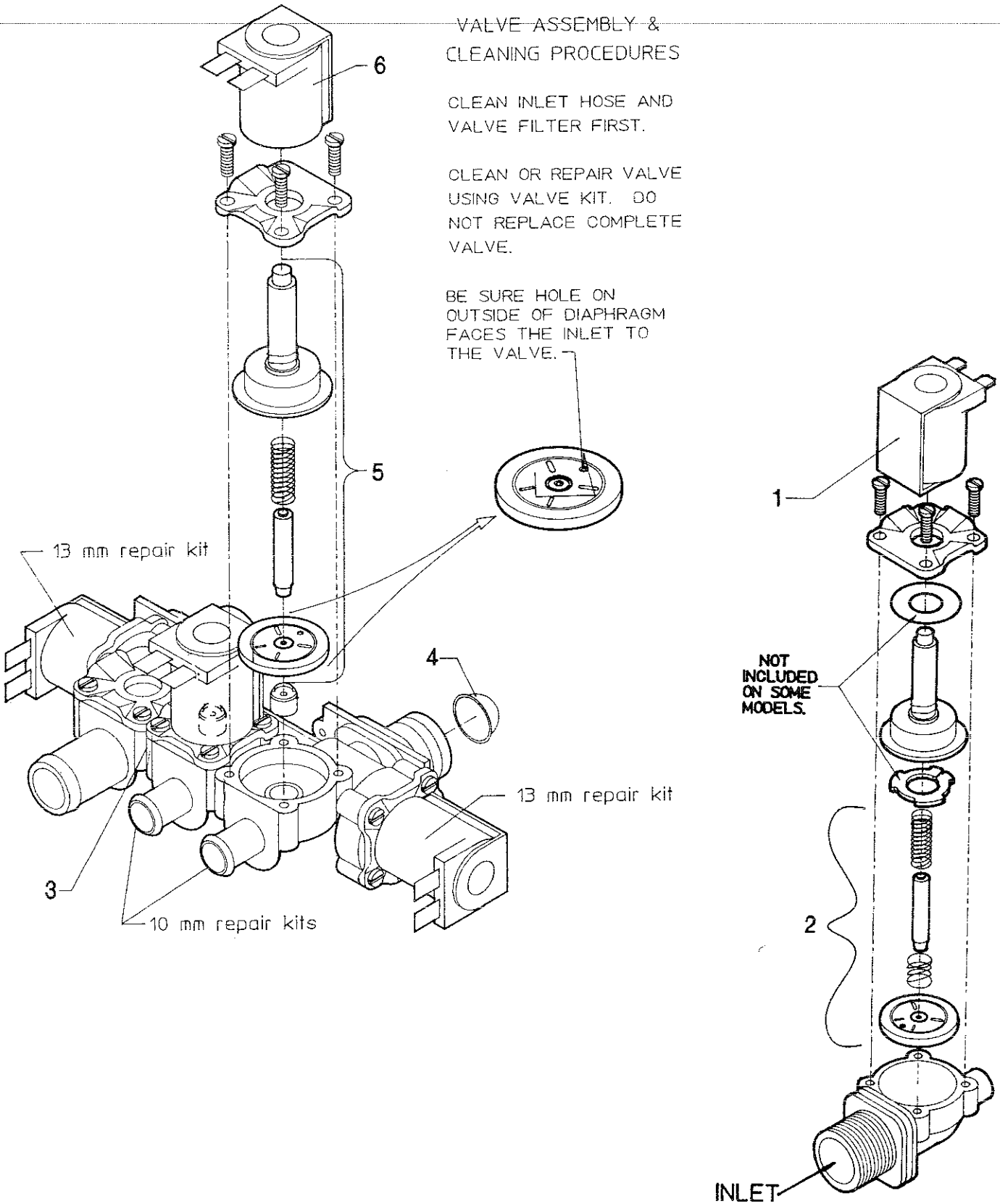
Models: AT18, 35, 50 (MC, MN, PC, PN, Series 1 and 2)

VALVE ASSEMBLY & CLEANING PROCEDURES

CLEAN INLET HOSE AND VALVE FILTER FIRST.

CLEAN OR REPAIR VALVE USING VALVE KIT. DO NOT REPLACE COMPLETE VALVE.

BE SURE HOLE ON OUTSIDE OF DIAPHRAGM FACES THE INLET TO THE VALVE.

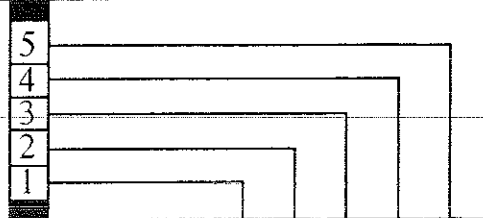


Section: WATER VALVE

P/N 55273

Models:

AT50  
AT35  
AT18



NO.	PART NUMBER	DESCRIPTION	#SEE BELOW	1	2	3	4	5
*	380722	Valve, Water (1 Way) (110-120V/50-60Hz).....	-	1	1			
*	380721	Valve, Water (2 Way) (110-120V/50-60Hz).....	1	-	-			
*	380720	Valve, Water (3 Way) (110-120V/50-60Hz).....	1	-	-			
1	380900	Coil (110-120V/50-60Hz).....	1	1	-			
2	730135	Repair Kit (10MM).....	1	1	-			
		/Plunger						
		/Spring						
		/Spring						
		/Diaphragm						
*	380726	Water Valve (1 Way) (110-120V/50-60Hz).....	-	1	-			
1	380900	Coil (110-120V/50-60Hz).....	-	1	-			
2	730137	Repair Kit (13MM).....	-	1	-			
		/Plunger						
		/Spring						
		/Spring						
		/Diaphragm						
-	270200	Screen, Valve Inlet.....	2	-	-			
-	270304	Strainer Assy., Inlet.....	-	2	2			
-	433331	Gasket, Quad O-Ring.....	-	2	2			
-	270405	Screen, Replacement.....	-	2	2			
3	380740	Valve, Mixing (3 Way) (120V).....	1	1	1			
4	270200	Strainer.....	2	2	2			
5	380939	Repair Kit (13MM).....	2	2	2			
	380954	Repair Kit (10MM).....	2	2	2			
6	380900	Coil (110-120V/50-60Hz).....	1	1	1			

10/91

\*NEW PART

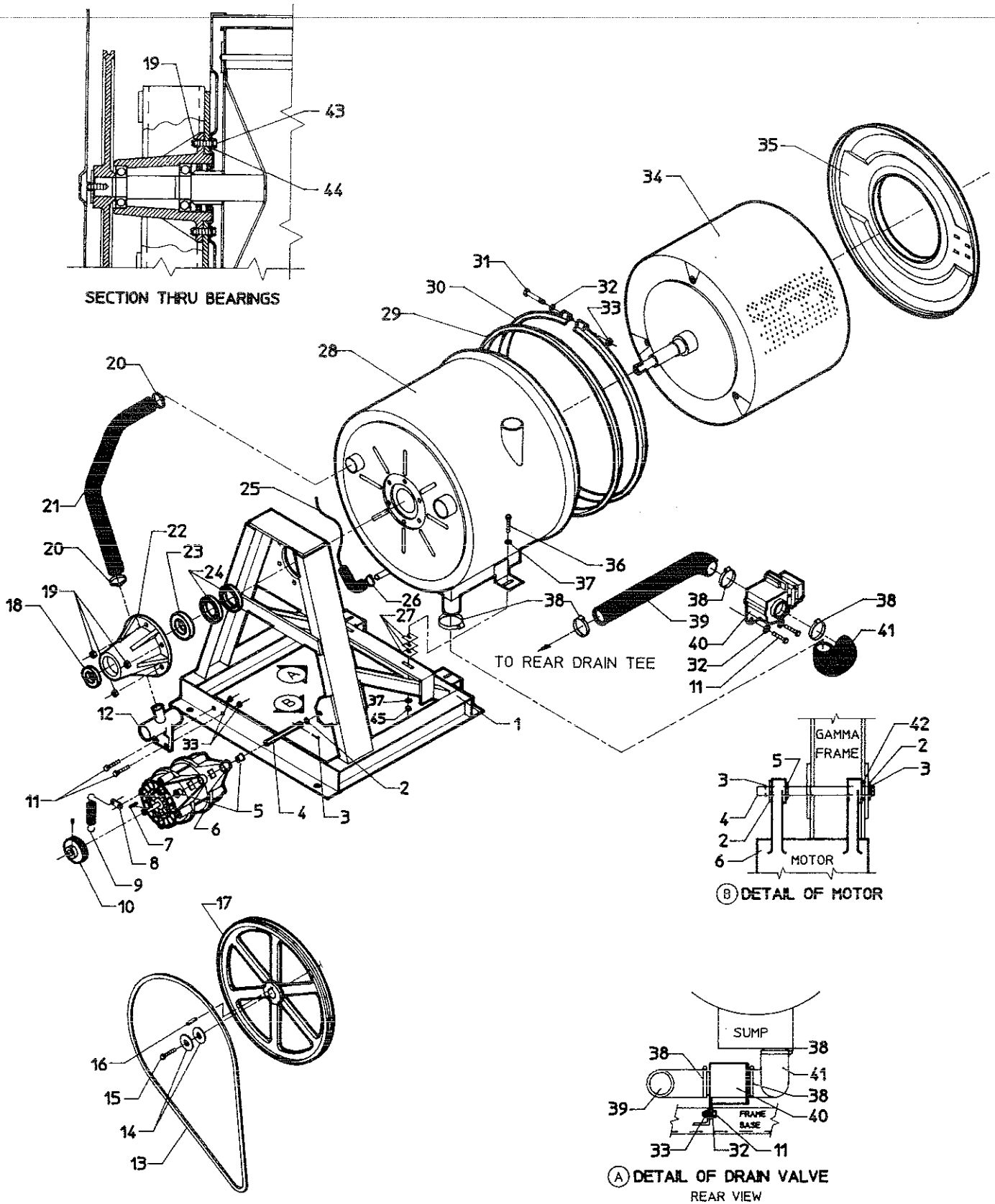
(-)= NOT SHOWN

#= SERIES, SER PRE OR RUN NO.

M3FLW-16

Section: MAIN EXPLODED VIEW-SUB ASSEMBLY  
 Models: AT18, 35 (MC1, MC2, MN1, MN2, PC2, PN1, PN2)

P/N 55273



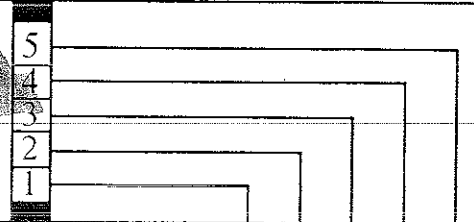


Section: MAIN EXPLODED VIEW - SUB-ASSEMBLY

P/N 55273

Models:

AT35MC2, MN2, PC2, PN2  
 AT35MC1, MN1, PN1  
 AT18MC2, MN2, PC2, PN2  
 AT18MC1, MN1, PN1



NO.	PART NUMBER	DESCRIPTION	#SEE BELOW	1	2	3	4	5
1	602300	Frame, w/Sump Support.....	1	1	-	-	-	-
	602959	Frame, w/Sump Support.....	-	-	1	1	-	-
2	430325	Washer (5/8").....	2	2	2	2	-	-
		Previous Part No. 430326						
3	430401	Pin, Cotter (Plated) (1/8" x 1 1/2").....	2	2	2	2	-	-
4	602844	Support Rod, Motor.....	1	1	-	-	-	-
	603059	Support Rod, Motor.....	-	-	1	1	-	-
5	130311	Bushing.....	2	2	2	2	-	-
6	220320	Motor (208-240V/60Hz, 3 Ph).....	1	1	-	-	-	-
	220110	Motor (110V/60Hz, 1 Ph).....	1	1	-	-	-	-
	220321	Motor (208-240V/60Hz, 3 Ph).....	-	-	1	1	-	-
	220111	Motor (208-240V/60Hz, 1 Ph).....	-	-	1	1	-	-
7	430802	Key.....	1	1	1	1	-	-
8	601515	Clip, Spring (Motor).....	1	1	1	1	-	-
9	310124	Spring, Belt Tension.....	1	1	1	1	-	-
10	280170	Pulley (60Hz).....	1	1	-	-	-	-
		Previous Part No. 280167						
	280175	Pulley.....	-	-	1	1	-	-
	280196	Pulley (1G3V3.0).....	-	-	1	1	-	-
		Note: 35003452- (Before Serial Number)						
	280209	Bushing G-7/8".....	-	-	1	1	-	-
		Note: 35003452- (Before Serial Number)						
11	430103	Screw (1/4"-20 x 3/4").....	4	4	4	4	-	-
12	150318	Connection, Tee-Drain.....	1	1	1	1	-	-
13	280337	Belt (60Hz, 3V800).....	1	1	-	-	-	-
	280342	Belt (60Hz, 3V830).....	-	-	1	1	-	-
14	431126	Washer, Flat.....	2	2	2	2	-	-
15	430927	Screw, Stainless Steel (3/8"-16 x 1").....	1	1	1	1	-	-
16	431801	Key.....	1	1	1	1	-	-
17	280164	Pulley.....	1	1	-	-	-	-
		Note: -18000455 (After Serial Number)						
	280168	Pulley.....	1	1	-	-	-	-
		Note: 18000456- (Before Serial Number)						
	280172	Pulley.....	-	-	1	1	-	-
18	100109	Bearing.....	1	1	-	-	-	-
	<del>100108</del>	Bearing.....	-	-	1	1	-	-
19	430218	Nut, Fiber Lock (3/8"-16).....	6	6	-	-	-	-
	430239	Nut, Fiber Lock (1/2"-13).....	-	-	6	6	-	-
	430240	Nut, Fiber Lock.....	-	-	6	6	-	-
20	200215	Clamp, Hose.....	2	2	2	2	-	-
21	150317	Hose, Overflow.....	1	1	-	-	-	-
	150332	Hose, Overflow.....	-	-	1	1	-	-
22	602194	Trunnion.....	1	1	-	-	-	-
	<del>602757</del>	Trunnion <i>F1471002</i> .....	-	-	1	1	-	-
23	100108	Bearing.....	1	1	-	-	-	-
	<del>100123</del>	Bearing.....	-	-	1	1	-	-

10/91

\*NEW PART

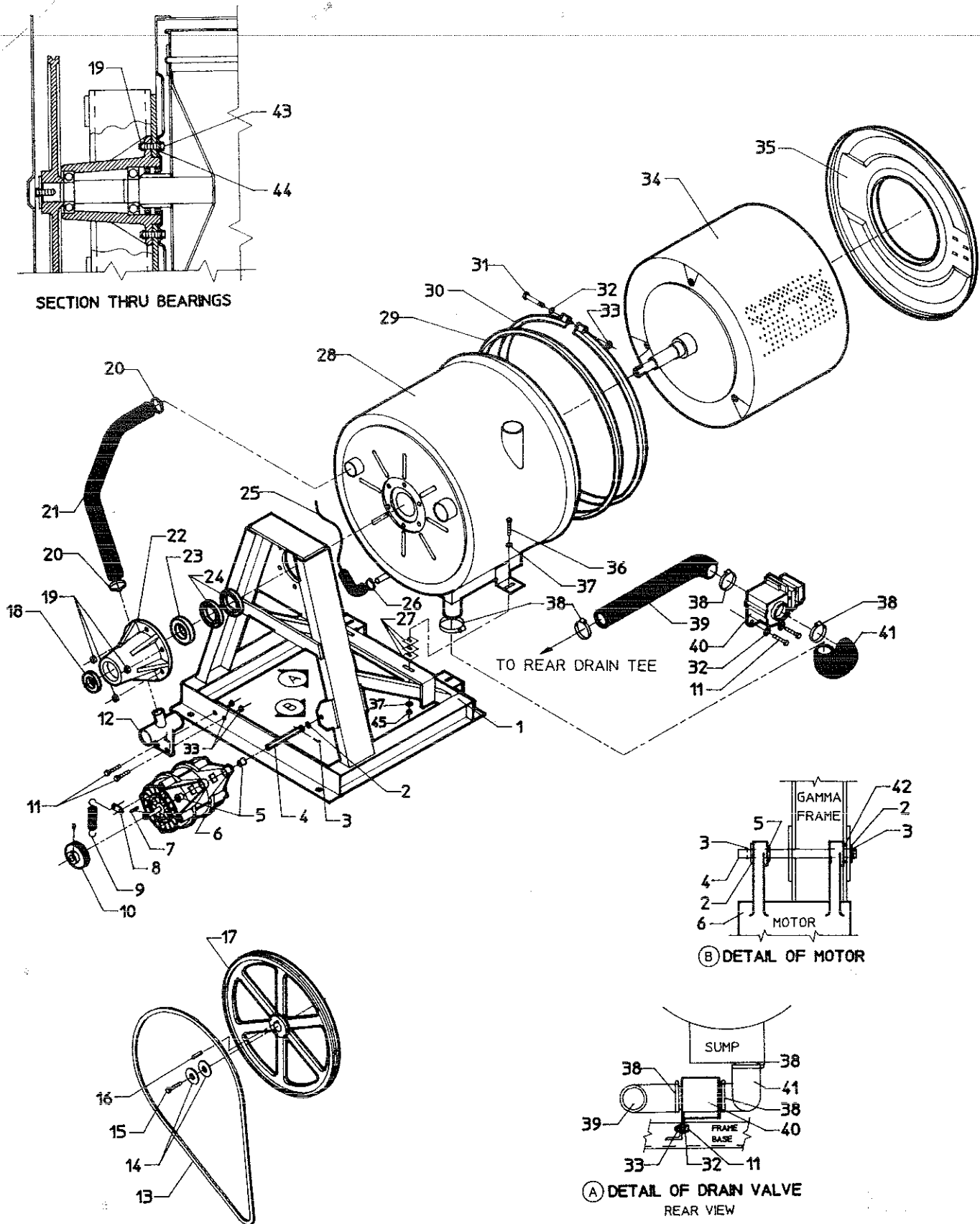
(-)=NOT SHOWN

#=SERIES, SER PRE OR RUN NO.

M3FLW-4

Section: MAIN EXPLODED VIEW-SUB ASSEMBLY  
 Models: AT18, 35 (MC1, MC2, MN1, MN2, PC2, PN1, PN2)

P/N 55273



Section: MAIN EXPLODED VIEW - SUB-ASSEMBLY

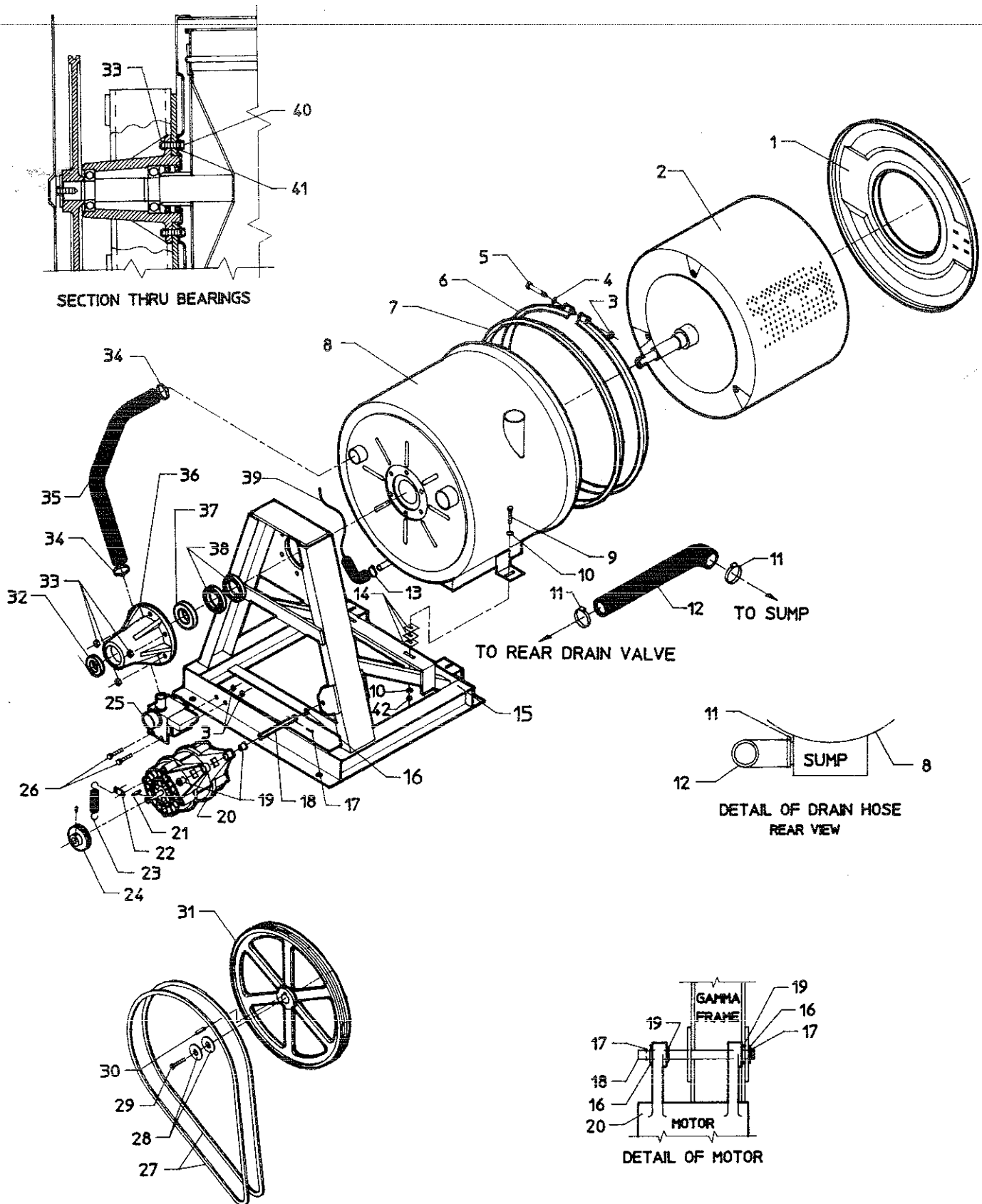
P/N 55273

Models:	5	
AT35MC2, MN2, PC2, PN2	4	
AT35MC1, MN1, PN1	3	
AT18MC2, MN2, PC2, PN2	2	
AT18MC1, MN1, PN1	1	

NO.	PART NUMBER	DESCRIPTION	#SEE BELOW	1	2	3	4	5
24	100208	Seal, Shaft.....	2	2	-	-		
	<del>100228</del>	Seal, Shaft.....	-	-	-	-		
25	200142	Hose, Air Dome.....	1	1	1	1		
26	200205	Clamp, Hose.....	1	1	1	1		
27	604301	Shim, Shell to Frame (As Needed).....	3	3	3	3		
28	602322	Shell.....	1	1	-	-		
	603232	Shell.....	-	-	1	1		
29	610223	Gasket.....	1	1	-	-		
	610099	Gasket.....	-	-	1	1		
30	602297	Band, Shell Clamp.....	1	1	-	-		
	603229	Band, Shell Clamp.....	-	-	1	1		
31	430500	Screw (1/4" x 2 3/4").....	1	1	1	1		
32	430317	Washer, Flat (1/4").....	3	3	3	3		
33	430215	Nut, Fiber Lock (1/4"-20).....	7	7	7	7		
34	602241	Basket.....	1	1	-	-		
	603225	Basket.....	-	-	1	1		
35	602555	Shell, Front.....	1	1	-	-		
	602828	Shell, Front.....	-	-	1	1		
36	430942	Bolt, Stainless Steel (3/8"-16 x 1 1/2").....	2	2	2	2		
37	430301	Washer, Flat (3/8").....	4	4	4	4		
38	200213	Clamp, Hose.....	4	4	4	4		
39	150311	Hose, Drain (Rear).....	1	1	-	-		
	150331	Hose, Drain (Rear).....	-	-	1	1		
40	380602	Valve, Drain (110V/60Hz).....	1	1	1	1		
41	150312	Hose, Drain (Front).....	1	1	1	1		
42	610098	Spacer, Motor Mount (Single Phase).....	1	1	-	-		
		Note: -18000696 (After Serial Number)						
	610131	Spacer, Motor Mount (Single Phase).....	1	1	-	-		
		Note: 18000697- (Before Serial Number)						
43	430949	Bolt, Stainless Steel (1/2"-13 x 2").....	6	6	-	-		
	430979	Bolt, Stainless Steel (1/2"-13 x 2 1/2").....	-	-	6	6		
	430987	Bolt, Stainless Steel (9/16"-12 x 2 1/2").....	-	-	6	6		
44	431101	Washer, Stainless Steel.....	3	3	-	-		
	431125	Washer, Flat (Stainless Steel) (1/2").....	-	-	3	3		
	431131	Washer, Flat.....	-	-	6	6		
45	430218	Nut, Fiber Lock (3/8"-16).....	2	2	2	2		
-	730320	Kit, Trunnion.....	1	1	-	-		
-	730321	Kit, Trunnion.....	-	-	1	1		

Note: Trunnion Kits Includes Housing, Bearings, Seals, 6 Bolts, Washers, Nuts, Front Casing Seal & Tube of Sealant

10/91	*NEW PART	(-)= NOT SHOWN	#= SERIES, SER PRE OR RUN NO.	M3FLW-4
-------	-----------	----------------	-------------------------------	---------

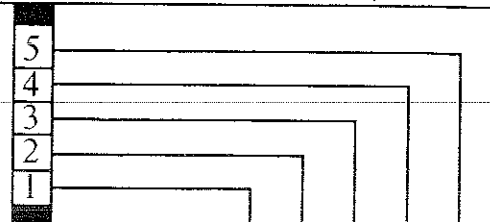


Section: MAIN EXPLODED VIEW - SUB-ASSEMBLY

P/N 55273

Models:

AT50MC2, MN2, PC2, PN2  
AT50MC1, MN1, PN1



NO.	PART NUMBER	DESCRIPTION	#SEE BELOW	1	2	3	4	5
1	603902	Shell Front.....	1	1				
2	603900	Basket.....	1	1				
3	430215	Nut, Fiber Lock (1/4"-20).....	3	3				
4	430317	Washer, Flat (Plated) (1/4").....	1	1				
5	430500	Screw (1/4"-20 x 2 3/4").....	1	1				
6	603656	Band, Shell.....	1	1				
7	610248	Gasket, Shell.....	1	1				
8	604036	Shell.....	1	1				
9	430942	Bolt, Stainless Steel (3/8"-16 x 1 1/2").....	2	2				
10	430301	Washer, Flat (Plated) (3/8").....	4	4				
11	200213	Clamp, Hose.....	2	2				
12	150341	Hose, Drain.....	1	1				
13	200205	Clamp, Hose (#10).....	1	1				
14	604301	Shim.....	6	6				
15	602983	Frame.....	1	1				
16	430326	Washer, Hardened (Plated) (3/4").....	2	2				
17	430401	Pin, Cotter (Plated) (1/8" x 1 1/2").....	2	2				
18	603897	Rod, Support (Motor).....	1	1				
19	130311	Bushing, Motor.....	2	2				
20	220322	Motor (208-240V/60Hz, 3 Ph).....	1	1				
	220120	Motor (208-240V/60Hz, 1 Ph).....	1	1				
21	430802	Key, Motor (3/16" x 1 1/2").....	1	1				
22	601515	Clip, Spring (Motor).....	1	1				
23	310124	Spring, Extension.....	1	1				
24	280177	Pulley, Motor (60Hz) (Double Vee).....	1	1				
25	380609	Valve, Drain (115V/50-60Hz).....	1	1				
	380608	Valve, Drain (220V/50-60Hz).....	1	1				
26	430103	Screw (1/4"-20 x 3/4").....	2	2				
27	280304	V-Belt (3V900).....	2	2				
28	431126	Washer, Stainless Steel.....	2	2				
29	430927	Screw, Stainless Steel (3/8"-16 x 1").....	1	1				
30	430801	Key (3/8" x a 1/4").....	1	1				
31	280173	Pulley, Basket (Double Vee).....	1	1				
32	100123	Bearing, Rear.....	1	1				
33	430240	Nut, Fiber Lock (9/26"-12).....	6	6				
34	200215	Basket.....	1	1				
35	150332	Hose, Overflow.....	1	1				
36	602835	Trunnion.....	1	1				
37	100123	Bearing, Ball (Front).....	1	1				
38	100228	Seal, Shaft (Stainless Steel) (Spr).....	2	2				
39	200142	Hose, Air Dome.....	1	1				
40	430987	Bolt, Stainless Steel) 9/16"-12 x 2 1/2").....	6	6				
41	431128	Washer, Flat (Stainless Steel) (1/2").....	6	6				
42	430218	Nut, Fiber Lock (Plated) (3/8"-16).....	2	2				
-	730322	Kit, Trunnion.....						

Note: Trunnion Kits Includes Housing, Bearings, Seals, 6 Bolts, Washers, Nuts, Front Casing Seal, & Tube of Sealant

10/91

\*NEW PART

(-)=NOT SHOWN

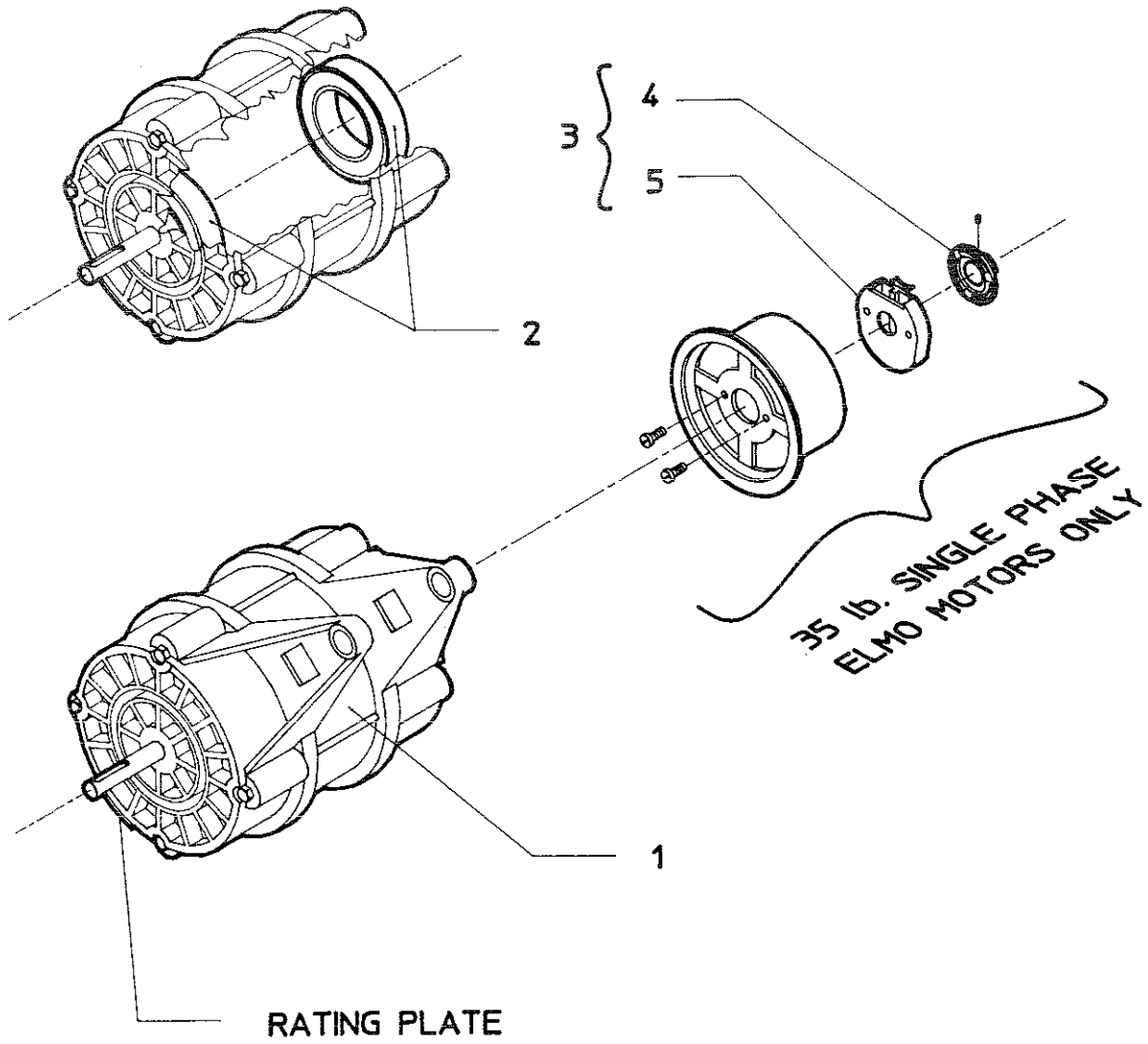
#=SERIES, SER PRE OR RUN NO.

M3FLW-5

Section: MOTOR

P/N 55273

Models: AT18, 35, 50 (MC, MN, PC, PN, Series 1 and 2)

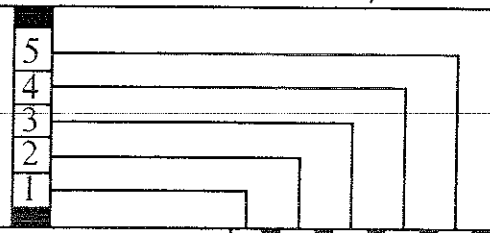


Section: MOTOR

P/N 55273

Models:

AT50  
AT35  
AT18



NO.	PART NUMBER	DESCRIPTION	#SEE BELOW	1	2	3	4	5
1	220320	Motor (208-240V/60Hz 3Ph) Specify Century or Elmo.	1	-	-			
	220110	Motor (110V/60Hz 1Ph) Specify Century or Elmo.....	1	-	-			
	220321	Motor (208-240V/60Hz 3Ph) Specify Century or Elmo.	-	1	-			
	220111	Motor (208-240V/60Hz 1Ph) Specify Century or Elmo.	-	1	-			
	220322	Motor (208-240V/60Hz 3Ph) Specify Century or Elmo.	-	-	1			
	220120	Motor (208-240V/60Hz 1Ph) Specify Century or Elmo.	-	-	1			
2	100126	Bearing, Motor (Elmo).....	2	-	-			
	100124	Bearing, Motor (Elmo).....	-	2	2			
3	220877	Switch, Centrifugal (Complete) (Elmo).....	-	1	-			

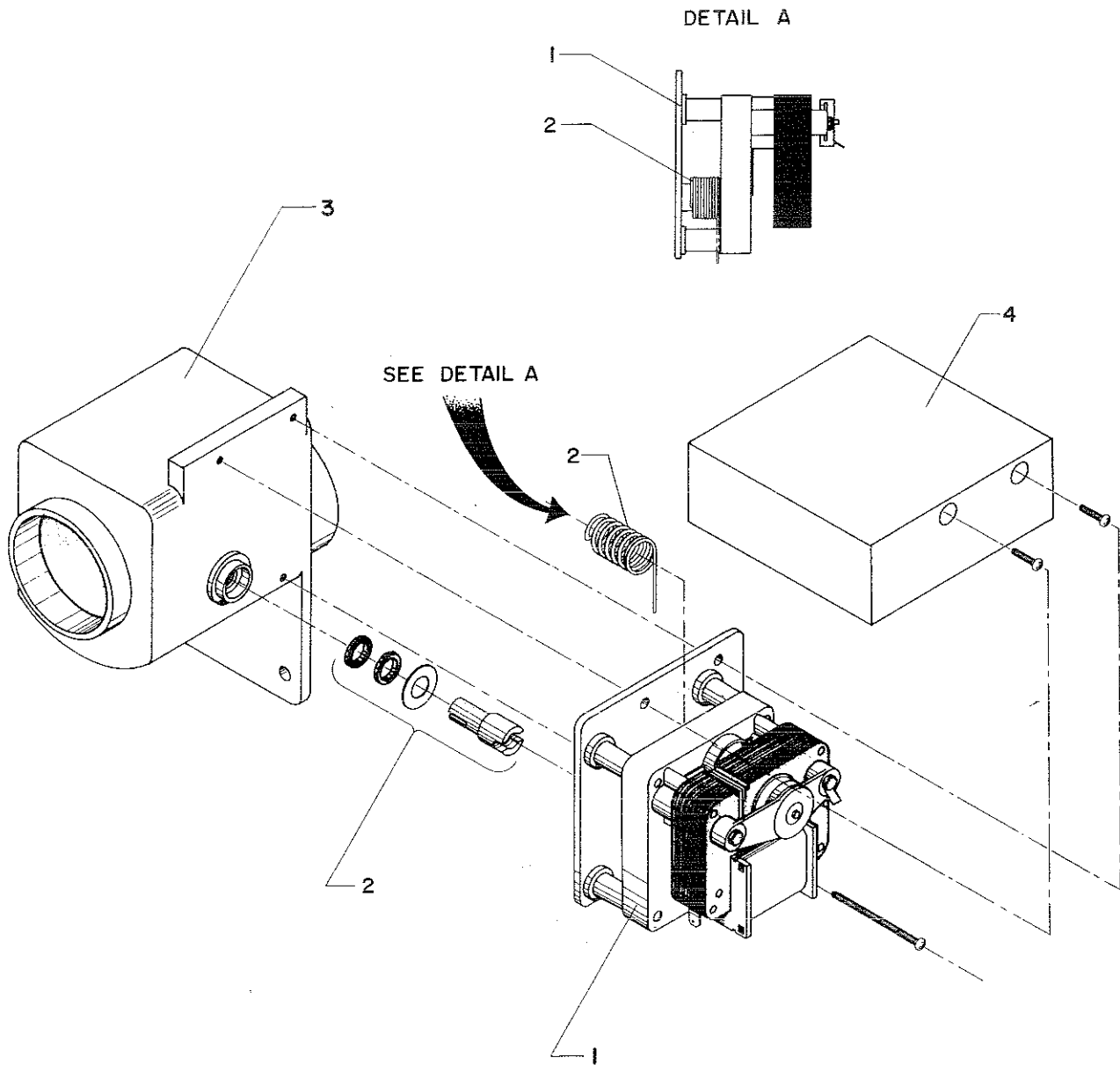
10/91

\*NEW PART

(-)= NOT SHOWN

#= SERIES, SER PRE OR RUN NO.

M3FLW-17



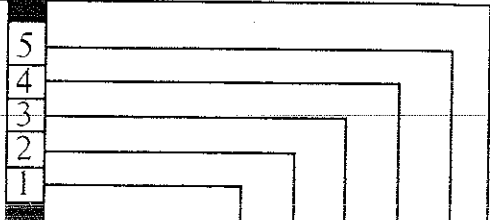


Section: DRAIN VALVE

P/N 55273

Models:

AT50  
AT35  
AT18



NO.	PART NUMBER	DESCRIPTION	#SEE BELOW	1	2	3	4	5
*	380602	Valve, Drain (Complete) (110V/60Hz).....	1	1	-			
*	380609	Valve, Drain (Complete) (115V/50-60Hz).....	-	-	1			
1	380942	Motor (110V/60Hz) (Keyed Shaft).....	1	1	1			
2	380918	Drive Shaft (Main) & Seal Kit.....	1	1	1			
3	380920	Body, Drain Valve.....	1	1	-			
4	602761	Cover, Drain.....	1	1	-			

10/91

\*NEW PART

(-) = NOT SHOWN

# = SERIES, SER PRE OR RUN NO.

M3FLW-15

