

WASHER

Repair Parts List

MODEL NUMBER

MAF18MC4VL

When requesting service or ordering parts, always provide the following information:

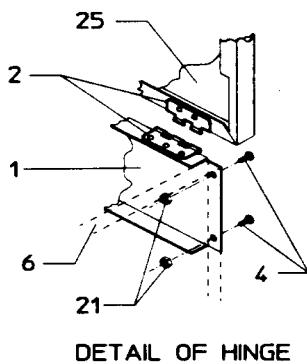
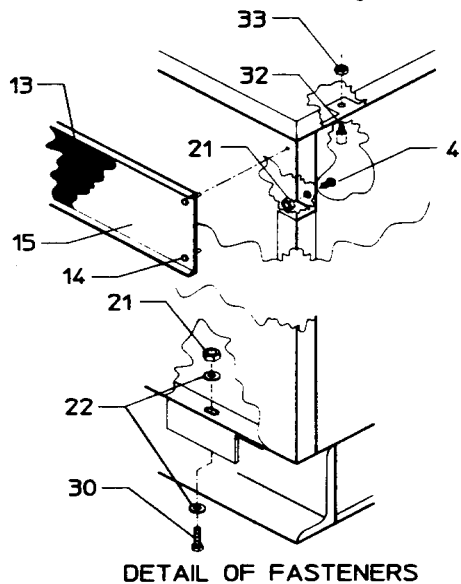
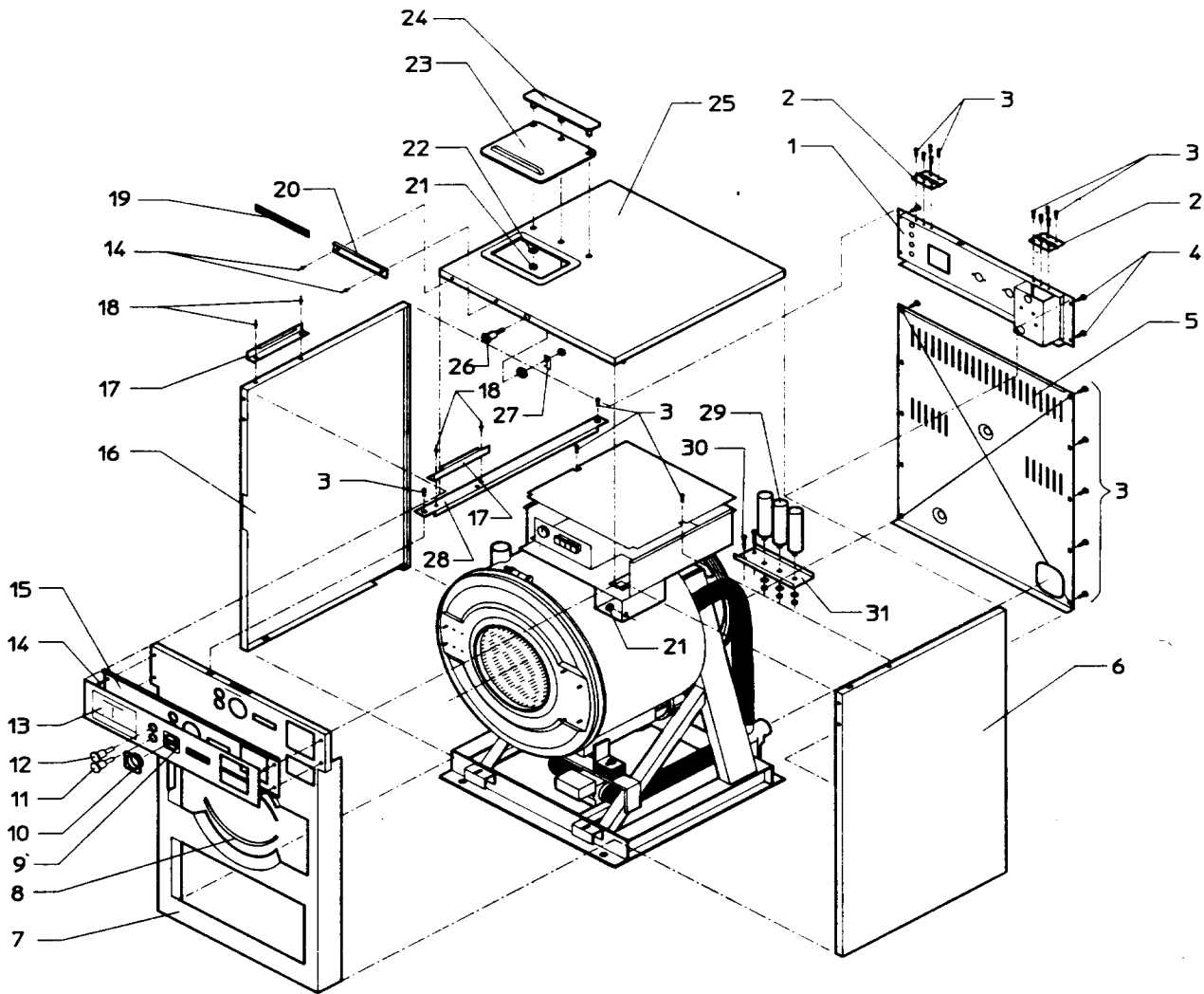
- Product Type
- Part Number
- Model Number
- Part Description

MAYTAG®

©2005 Maytag Services

Section: FINAL ASSEMBLY (MAF18MC4V*)

Model: MAF18MC4VL



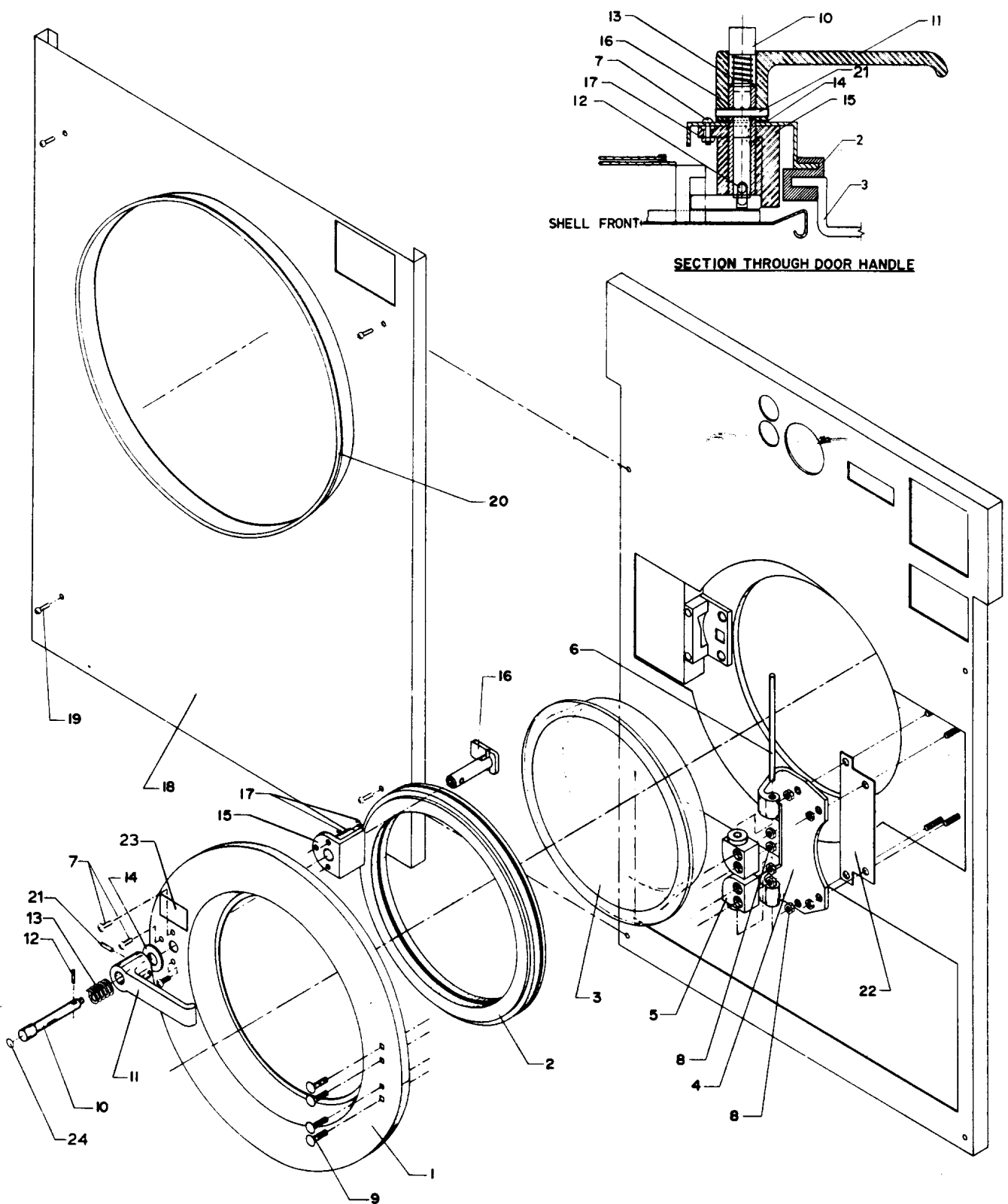
Section: FINAL ASSEMBLY (MAF18MC4V*)

| No. | Part No. | Description | Series Qty |
|------|----------|---|------------|
| 1 | 24001169 | PANEL KIT, VALVE | 1 |
| 2 | 24001300 | HINGE (TAKE APART) Note: (PREV. PART #602784 NOTE: USE 18003070 BEFORE SERIAL NUMBER) | 2 |
| - | 24001676 | HINGE, TOP COVER Note: (NOTE: 18003069 AFTER SERIAL NUMBER) | 2 |
| 3 | 24001301 | SCREW (8-18 X 3/8") | 24 |
| 4 | 24001323 | SCREW (1/4-20 X 1/2") | 8 |
| 5 | 24001400 | KIT, PANEL (REAR) | 1 |
| 6 | 24001159 | PANEL KIT, SIDE (RT.)35 | 1 |
| 7 | 24001677 | PANEL, FRONT (INR) | 1 |
| 8 | 24001550 | TRIM, PANEL (INNER FRONT) | 2 |
| 9 | 24001679 | DECAL, CYCLE INDICATOR | 1 |
| 10 | 24001680 | GLASS, TIMER | 1 |
| 11 | 24001681 | LIGHT, INDICATOR (RED 110V) | 1 |
| 12 | 24001682 | LIGHT, INDOCATOR (AMBER 110V) | 1 |
| 13 | 24001683 | DECAL, MAYTAG | 1 |
| 14 | 24001533 | RIVET, POP S.S. (1/8" X 1/4") | 6 |
| 15 N | 24001061 | PANEL, CONTROL | 1 |
| - | 24002036 | DECAL, CONTROL PANEL (MAF-MC) | 1 |
| 16 N | 24001155 | PANEL KIT, SIDE (LT.)18 Note: (AS VIEWED FROM THE FRONT) | 1 |
| 17 | 24001539 | BRACKET, SOAP DISPENSER | 2 |
| 18 | 24001540 | RIVET, BLIND S.S. (1/8 X 5/16) | 4 |
| 19 | ----- | NOT REQUIRED PART OR SEE NOTE Note: PART NUMBER NOT AVAILABLE | 1 |
| 20 | 24001671 | NAMEPLATE | 1 |
| 21 | 24001510 | NUT, S.S. (1/4"-20) | 3 |
| 22 | 24001295 | LOCKWASHER | 3 |
| 23 | 24001219 | COVER, SOAP DSPNSR | 1 |
| 24 | 24001542 | CLAMP, SOAP DISPENSER | 1 |
| 25 | 24001168 | COVER ASSY KIT, TOP Note: KIT ASSY., TOP COVER | 1 |
| 26 | 24001220 | LOCK, TOP COVER | 1 |
| 27 | 24001221 | LATCH, TOP COVER | 1 |
| 28 | 24001695 | BRACE, TOP | 1 |
| 29 | 24001236 | CAPACITOR (100MF) | 3 |
| 30 | 24001303 | SCREW (1/4-20 X 1-1/4") | 8 |
| 31 | 24001692 | BRACKET, CAPACITOR | 1 |
| 32 | 24001305 | NUT, FIBERLOCK (1/4) | 17 |
| 33 | 24001425 | NUT, FIBERLOCK, PLTD (6-32) | 1 |
| 34 | ----- | NOT REQUIRED PART OR SEE NOTE Note: PART NUMBER NOT AVAILABLE | 1 |

*Color Code (-)=Not Shown #=Series, Serial Prefix or Run No., N=Not Available

Section: DOOR & RELATED PARTS (MAF18MC4V*)

Model: MAF18MC4VL



721137

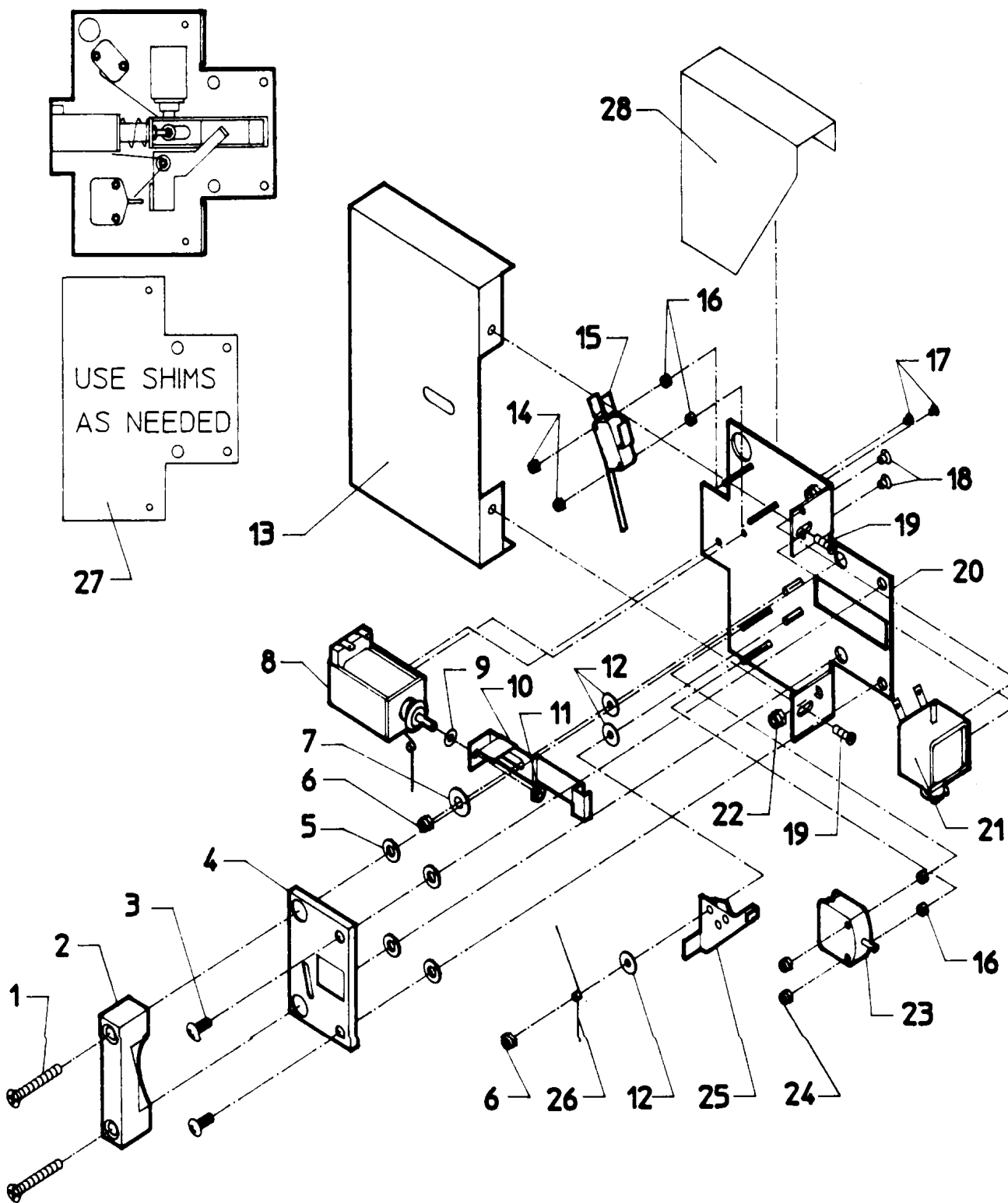
Section: DOOR & RELATED PARTS (MAF18MC4V*)

| No. | Part No. | Description | Series Qty |
|-----|----------|---|------------|
| 1 | 24001718 | DOOR | 1 |
| - | 24001638 | DOOR ASSY. (COIN) | 1 |
| 2 | 24001075 | GASKET, DOOR | 1 |
| 3 | 24001098 | GLASS, DOOR | 1 |
| 4 | 24001333 | HINGE, DOOR | 1 |
| 5 | 24001334 | MOUNT, DOOR | 2 |
| 6 | ----- | NOT REQUIRED PART OR SEE NOTE Note: PART NUMBER NOT AVAILABLE | 1 |
| 7 | 24001341 | SCREW (8-32X 5/8") | 3 |
| 8 | 24001305 | NUT, FIBERLOCK (1/4) | 8 |
| 9 | 24001467 | SCREW, S.S. (1/4 - 20 X 7/8) | 4 |
| 10 | 24001103 | ROD, PUSH BUTTON | 1 |
| 11 | 24001336 | HANDLE, DOOR | 1 |
| 12 | 24001721 | PIN, SPRING | 1 |
| 13 | 24001338 | SPRING, DOOR LOCK | 1 |
| 14 | 24001310 | SCREW (5/16-18 X 5/8") | 1 |
| 15 | 24001340 | SPACER, DOOR HANDLE | 1 |
| 16 | 24001343 | ARM, LATCH | 1 |
| 17 | 24001342 | NUT, LOCK (8-32) | 3 |
| 18 | 24001728 | OUTER PANEL KIT (COIN ALM) Note: KIT, OTR. PNL COIN (ALM) | 1 |
| 19 | 24001474 | SCREW, S.S. (#8-32 X 3/8 PL) | 4 |
| 20 | 24001722 | TRIM, OUTER FRONT PANEL | 1 |
| 21 | 24001827 | PIN, SPRING (STLS) | 1 |
| 23 | 24001462 | DECAL, PUSH BUTTON RED | 1 |
| 24 | 24001407 | DECAL | 1 |

*Color Code (-)=Not Shown #=Series, Serial Prefix or Run No., N=Not Available

Section: DOOR SAFETY INTERLOCK (MAF18MC4V*)

Model: MAF18MC4VL



721134

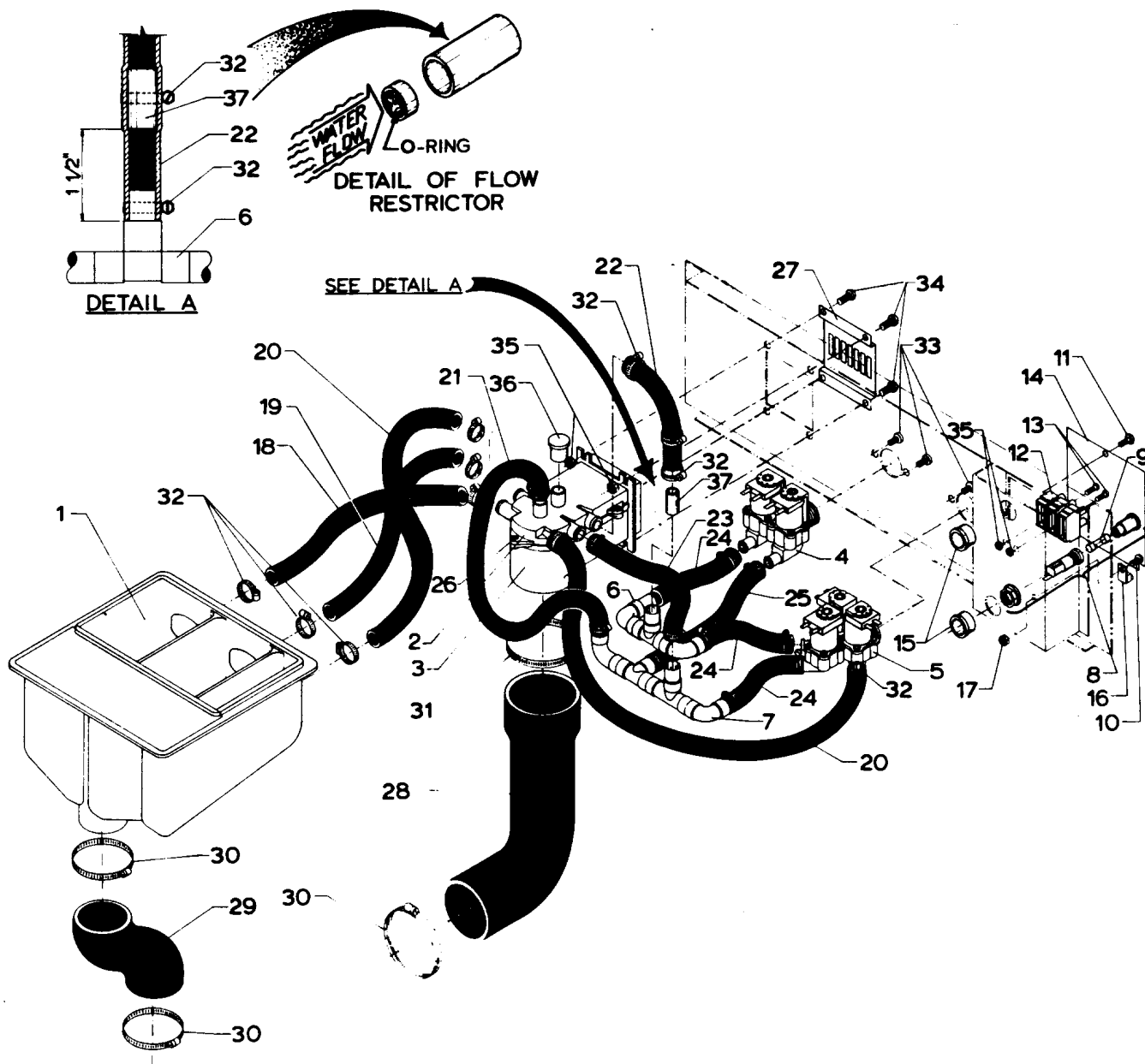
Section: DOOR SAFETY INTERLOCK (MAF18MC4V*)

| No. | Part No. | Description | Series Qty |
|-----|------------|--|------------|
| 1 | 24001642 | SCREW, S.S. (1/4-20 X 1 1/2") | 2 |
| 2 | 24001483 | CATCH, DOOR LOCK | 1 |
| 3 | 24001323 | SCREW (1/4-20 X 1/2") | 4 |
| 4 | 24001484 | COVER, DOOR LOCK PLATE | 1 |
| 5 | 24001295 | LOCKWASHER | 2 |
| 6 | 24001342 | NUT, LOCK (8-32) | 2 |
| 7 | 24001485 | WASHER, SHOULDER (TEFLON) | 1 |
| 8 | 24001101 | SOLENOID, DOOR REL (110/220V) | 1 |
| 9 | 24001358 | WASHER, FLAT (#10) | 1 |
| 10 | 24001250 | BUTTON, PUSH (STOP) | 1 |
| 11 | 24001481 | NUT, FIBERLOCK PLTD (#10-32) | 1 |
| 12 | 24001480 | WASHER, TEFLON (#8) | 3 |
| 13 | 24001487 | COVER, DOOR LOCK ASSY. | 1 |
| 14 | 24001476 | NUT, FIBERLOCK (#4-40) | 2 |
| 15 | 24001229 | SWITCH, DOOR LOCK | 1 |
| 16 | 24001477 | SPACER, NYLON (#6) | 4 |
| 17 | 24001643 | SCREW, S.S. (6 X 3/16") | 2 |
| 18 | 24001479 | SCREW, S.S. (#8-32 X 3/16) | 2 |
| 19 | 24001301 | SCREW (8-18 X 3/8") | 2 |
| 20 | N 24001644 | DOOR LOCK PLATE Note: PLATE, DOOR LOCK | 1 |
| 21 | 24001102 | SOLENOID, DOOR LCK (110/220V) | 1 |
| 22 | 24001305 | NUT, FIBERLOCK (1/4) | 2 |
| 23 | 24001255 | SWITCH, DOOR HANDLE | 1 |
| 24 | 24001736 | PIN, LOCKING | 2 |
| 25 | 24001230 | LEVER, DOOR LOCK | 1 |
| 26 | 24001293 | SPRING, TORSION | 1 |
| 27 | 24001559 | SHIM, DOOR LOCK Note: (USE AS NEEDED) | 1 |
| 28 | 24001488 | SHIELD, SPLASH (DOOR LOCK) | 1 |
| 28 | 24001640 | DOOR LOCK COMPLETE (MC 110V) | 1 |

*Color Code (-)=Not Shown #=Series, Serial Prefix or Run No., N=Not Available

Section: SOAP DISPENSER (MAF18MC4V*)

Model: MAF18MC4VL



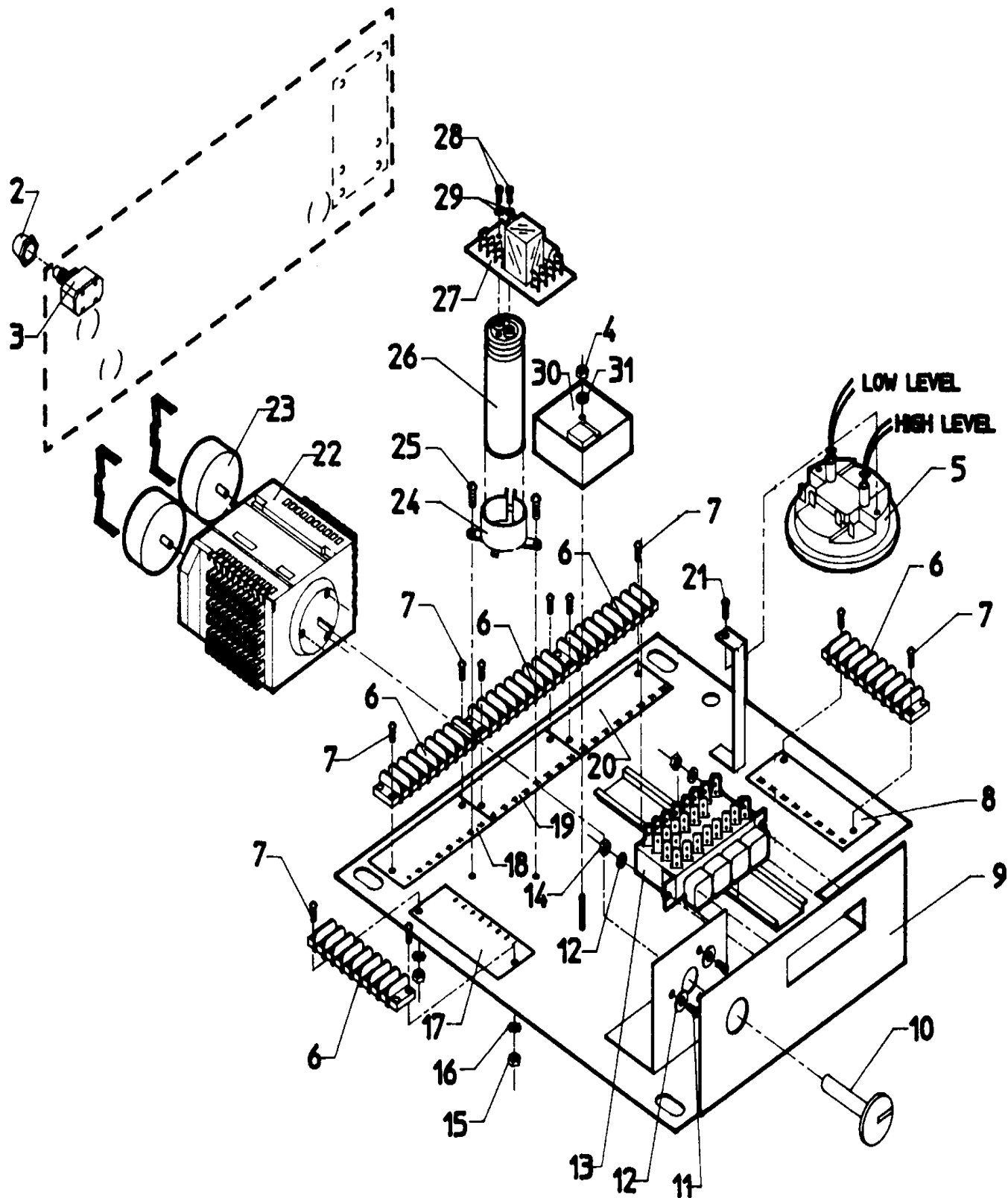
Section: SOAP DISPENSER (MAF18MC4V*)

| No. | Part No. | Description | Series Qty |
|------|----------|--------------------------------|------------|
| 1 | 24001627 | DISPENSER, SUPPLY (COIN) | 1 |
| 2 | 24001031 | BREAKER, VAC. (TOP) | 1 |
| 3 | 24001032 | BREAKER, VAC. (BTM) | 1 |
| 4 | 24001117 | VALVE (2WAY 110-127V/50-60HZ) | 1 |
| 5 | 24001118 | VALVE (3WAY 110-127V/50-60HZ) | 1 |
| 6 | 24001765 | MANIFOLD, SUPPLY | 1 |
| 7 | 24001766 | MANIFOLD, FILL | 1 |
| 8 | 24001433 | HOLDER, FUSE | 1 |
| 9 | 24001225 | FUSE, CONTROL (2AMP) | 1 |
| 10 | 24001432 | SCREW, S.S. (#8-32 X 3/8) | 1 |
| 11 | 24001301 | SCREW (8-18 X 3/8") | 1 |
| 12 | 24001629 | BLOCK, INPUT POWER (3 WIRE) | 1 |
| 13 | 24001430 | SCREW, S.S (6-32 X 1) | 2 |
| 14 | 24001429 | COVER, JUNCTION BOX | 1 |
| 15 | 24001436 | GROMMET, BUSHING | 1 |
| 16 | 24001434 | CONNECTOR, GROUND | 1 |
| 17 | 24001342 | NUT, LOCK (8-32) | 1 |
| 18 | 24001767 | HOSE | 1 |
| 19 | 24001768 | HOSE | 1 |
| 20 | 24001769 | HOSE | 2 |
| 21 | 24001770 | HOSE | 1 |
| 22 | 24001771 | HOSE | 1 |
| 23 | 24001772 | HOSE | 1 |
| 24 | 24001773 | HOSE | 3 |
| 25 N | 24001774 | HOSE | 1 |
| 26 | 24001432 | SCREW, S.S. (#8-32 X 3/8) | 5 |
| 27 | 24001426 | COVER, VACUUM BREAKER | 1 |
| 28 | 24001552 | HOSE, VACUUM BREAKER | 1 |
| 29 | 24001442 | HOSE, SOAP DISPENSER | 1 |
| 30 | 24001353 | CLAMP, HOSE (#40) | 3 |
| 31 | 24001282 | CLAMP, HOSE (#48) | 1 |
| 32 | 24001423 | CLAMP, HOSE (#8) | 23 |
| 33 | 24001357 | SCREW | 4 |
| 34 | 24001414 | SCREW, S.S. (#6-32 X 1/2 PLTD) | 4 |
| 35 | 24001425 | NUT, FIBERLOCK, PLTD (6-32) | 6 |
| 36 | 24001424 | CAP, PLUG (YELLOW) | 1 |
| 37 | 24001775 | FLOW RESTRICTOR ASSY. | 1 |

*Color Code (-)=Not Shown #=Series, Serial Prefix or Run No., N=Not Available

Section: CONTROL MODULE (MAF18MC4V*)

Model: MAF18MC4VL



LW10-26

Section: CONTROL MODULE (MAF18MC4V*)

| No. | Part No. | Description | Series Qty |
|------|----------|---|------------|
| - | 24001737 | RELAY | 1 |
| - | 24001738 | RELAY | 1 |
| 1 | 24001104 | CONTACTOR, AUX. ADDER | 1 |
| 2 | 24001744 | BOOT, PUSH BUTTON | 1 |
| 3 | 24001254 | SWITCH, MOMENTARY | 1 |
| 4 | 24001419 | NUT, PLTD (1/4-#20 HEX) | 1 |
| 5 | 24001223 | SWITCH, TRI LEVEL | 1 |
| 6 | 24001412 | TERMINAL STRIP | 5 |
| 7 | 24001414 | SCREW, S.S. (#6-32 X 1/2 PLTD) | 10 |
| 8 | 24001030 | DECAL,INSUL.TERM STRIP (33-40) | 1 |
| 9 | ----- | NOT REQUIRED PART OR SEE NOTE Note: PART NUMBER NOT AVAILABLE | 0 |
| 10 | ----- | NOT REQUIRED PART OR SEE NOTE Note: PART NUMBER NOT AVAILABLE | 0 |
| 11 | 24001357 | SCREW | 3 |
| 12 | 24001358 | WASHER, FLAT (#10) | 5 |
| 13 N | 24001740 | SWITCH, CYCLE SELECTOR | 1 |
| 14 N | 24001741 | NUT, FIBERLOCK | 1 |
| 15 | 24001417 | NUT, BRASS (#6-32) | 10 |
| 16 | 24001415 | WASHER, S.S. (#6 EXT. TOOTH) | 10 |
| 17 N | 24001026 | DECAL,INSUL.TERM STRIP (1-8) | 1 |
| 18 N | 24001027 | DECAL,INSUL.TERM STRIP (9-16) | 1 |
| 19 N | 24001028 | DECAL,INSUL.TERM STRIP (17-24) | 1 |
| 20 N | 24001029 | DECAL,INSUL.TERM STRIP (25-32) | 1 |
| 21 | 24001411 | SCREW, S.S. (6-32 X 3/8 PLTD) | 1 |
| 22 | 24001178 | CYCLE KIT, TIMER (120V) | 1 |
| 23 | 24001577 | MOTOR, TIMER (110V 60HZ) | 2 |
| 24 | ----- | NOT REQUIRED PART OR SEE NOTE Note: PART NUMBER NOT AVAILABLE | 0 |
| 25 | 24001578 | SCREW, S.S. (6-32 X 1/4") | 2 |
| 26 | 24001247 | CAPACITOR, DOOR LOCK | 1 |
| 27 | 24001742 | P.C. BOARD (110V) | 1 |
| 27 | 24001248 | PC BOARD, DOOR LOCK | 1 |
| 28 | 24001580 | SCREW, S.S. (#10-32 X 3/8") | 2 |
| 29 | 24001579 | WASHER, S.S. (#10 LOCK EXT.) | 2 |
| 30 | 24001176 | RELAY, TIME OFF DELAY | 1 |
| 31 | 24001295 | LOCKWASHER | 1 |

*Color Code (-)=Not Shown #=Series, Serial Prefix or Run No., N=Not Available

Section: WATER VALVE (MAF18MC4V*)

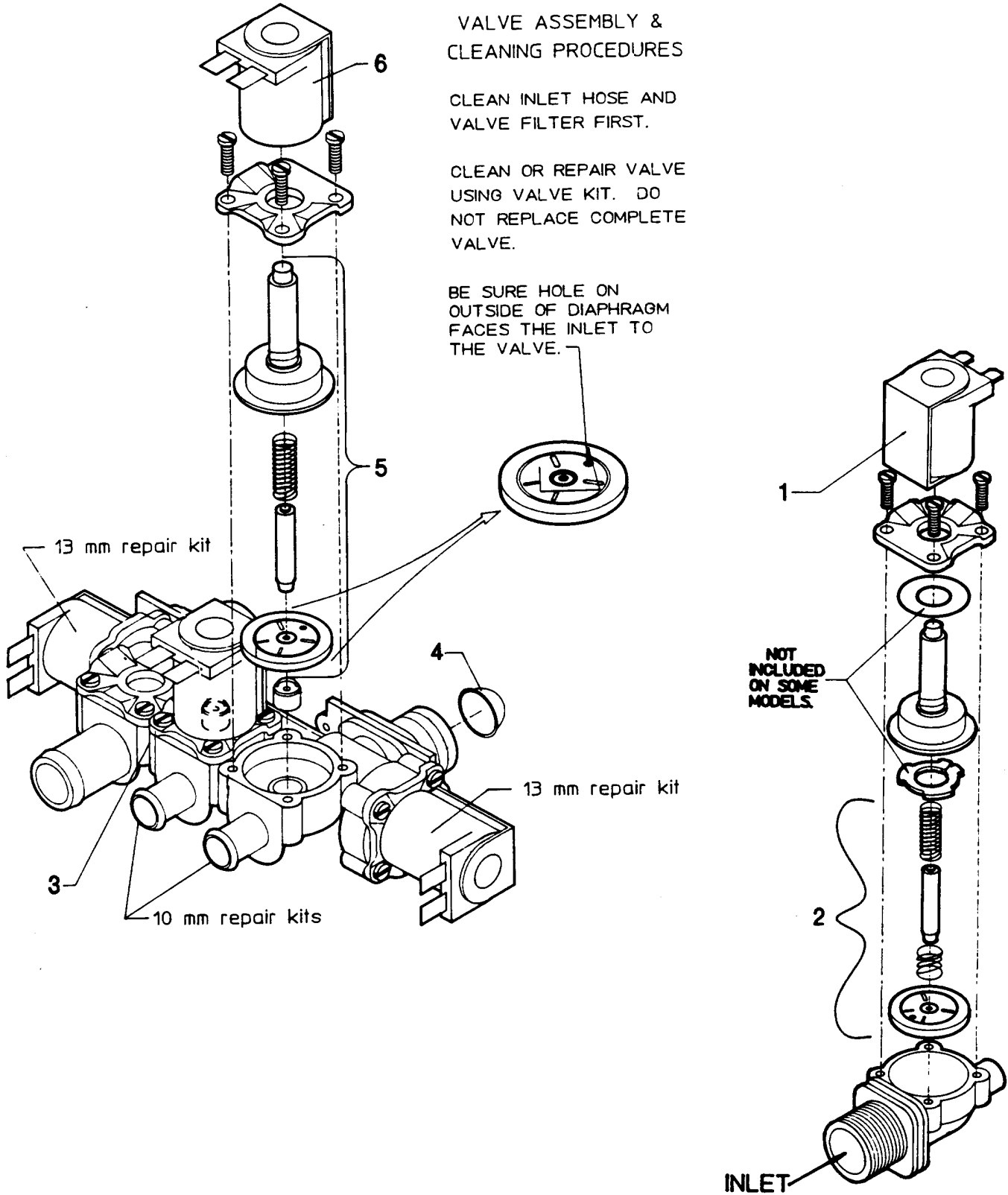
Model: MAF18MC4VL

VALVE ASSEMBLY & CLEANING PROCEDURES

CLEAN INLET HOSE AND VALVE FILTER FIRST.

CLEAN OR REPAIR VALVE USING VALVE KIT. DO NOT REPLACE COMPLETE VALVE.

BE SURE HOLE ON OUTSIDE OF DIAPHRAGM FACES THE INLET TO THE VALVE.



721357

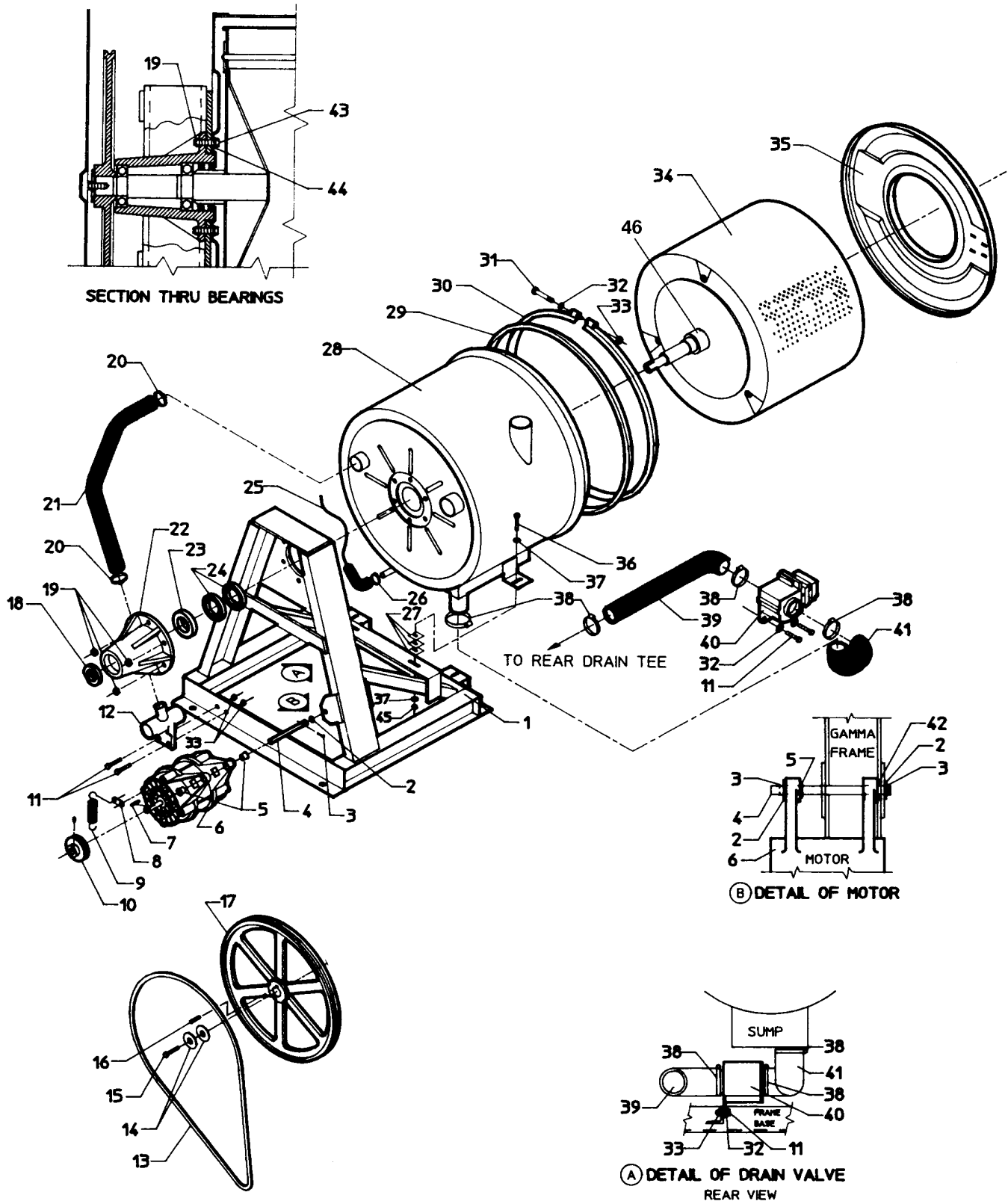
Section: WATER VALVE (MAF18MC4V*)

| No. | Part No. | Description | Series Qty |
|-----|----------|--|------------|
| - | 24001118 | VALVE (3WAY 110-127V/50-60HZ) | 1 |
| - | 24001776 | VALVE, WATER (2 WAY) | 1 |
| 1 | 24001232 | COIL, WATER VALVE | 1 |
| 2 | 24001121 | KIT, VALVE REPAIR (10MM) | 1 |
| 3 | 24001226 | VALVE, MIXING (3 WAY) | 1 |
| 4 | 24001634 | SCREEN, VALVE | 2 |
| 5 | 24001122 | KIT, VALVE REPAIR (13MM) Note: KIT, REPAIR (13MM) | 2 |
| 5 | 24001231 | KIT, DIAPHRAM (SHORT) Note: KIT, REPAIR (10MM) (FOR USE IN MIXING VALVE MODELS ONLY) | 2 |
| 6 | 24001232 | COIL, WATER VALVE | 1 |

*Color Code (-)=Not Shown #=Series, Serial Prefix or Run No., N=Not Available

Section: SUB ASSEMBLY (MAF18MC4V*)

Model: MAF18MC4VL



721129

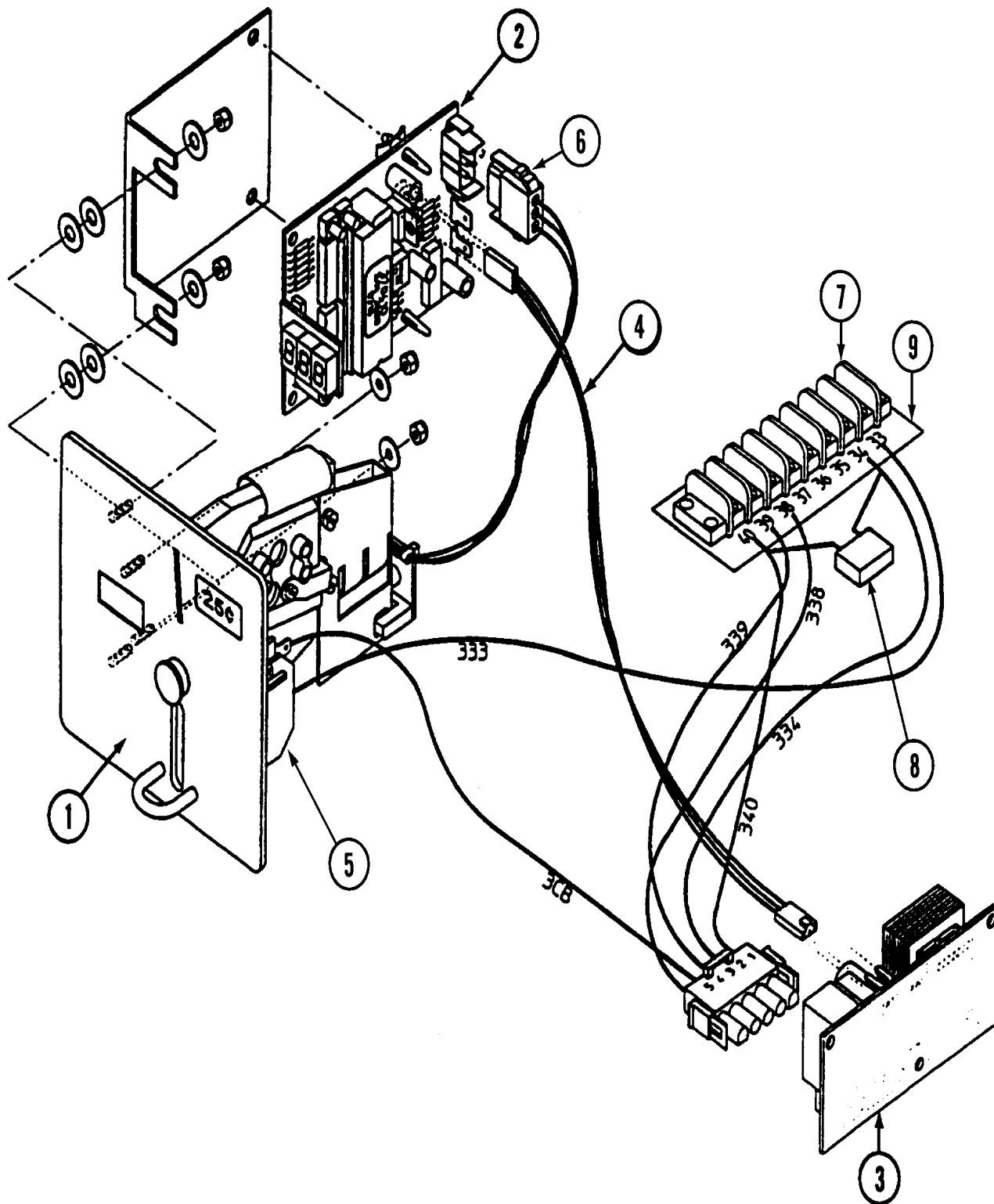
Section: SUB ASSEMBLY (MAF18MC4V*)

| No. | Part No. | Description | Series Qty |
|-----|----------|--|------------|
| 1 | 24001369 | KIT ASSY., FRAME (2 SPEED) | 1 |
| 2 | 24001511 | WASHER, HARDENED (PLTD. 5/8) | 2 |
| 3 | 24001512 | PIN, COTTER PLTD. (1/8X1 1/2) | 2 |
| 4 | 24001647 | ROD, MOTOR SUPPORT | 1 |
| 5 | 24001021 | BUSHING, MOTOR (UC/UW) | 2 |
| 6 | 24001082 | MOTOR,2SP (208/240/60/3) | 1 |
| - | 24001018 | BEARING, 6204-2RS | 2 |
| 7 | 24001648 | KEY (MOTOR 3/16" X 1 1/2") | 1 |
| 8 | 24001651 | CLIP, MOTOR SPRING | 1 |
| 9 | 24001650 | SPRING (BELT TENSION) | 1 |
| 10 | 24001086 | PULLEY, MOTOR | 1 |
| 11 | 24001502 | SCREW (1/4"-20 X 3/4") | 4 |
| 12 | 24001826 | CONNECTION, TEE-DRAIN | 1 |
| 13 | 24001093 | BELT, V (3V-710) | 1 |
| 14 | 24001501 | WASHER, S.S. | 2 |
| 15 | 24001500 | SCREW, S.S. (3/8"-16X1) | 1 |
| 16 | 24001499 | KEY (3/8" X 1 1/4") | 1 |
| 17 | 24001085 | PULLEY, BASKET Note: (NOTE..18000456 BEFORE SERIAL NUMBER) | 1 |
| 18 | 24001015 | BEARING (6207 2RS C3) | 1 |
| 19 | 24001515 | NUT, FIBERLOCK PLTD. (3/8-16) | 6 |
| 20 | 24001283 | CLAMP, HOSE (#28) | 2 |
| 21 | 24001662 | HOSE, OVERFLOW | 1 |
| 22 | 24001258 | KIT, TRUNNION (2SP.) | 1 |
| 23 | 24001014 | BEARING (6208 2RS C3) | 1 |
| 24 | 24001019 | SEAL, SHAFT (SS SPR60X80X10MM) | 2 |
| 25 | 24001661 | AIR TRAP Note: HOSE, AIR DOME | 1 |
| 26 | 24001438 | CLAMP, HOSE (#10) | 1 |
| 27 | 24001803 | SHIM, SHELL | 3 |
| 28 | 24001375 | KIT, SHIELD RETRO Note: KIT, SHIELD RETRO | 1 |
| 29 | 24001184 | GASKET KIT (FRONT SHELL) | 1 |
| 30 | 24001388 | KIT, BAND SHELL | 1 |
| 31 | 24001215 | KIT, BAND FASTENER | 1 |
| 32 | 24001215 | KIT, BAND FASTENER | 3 |
| 33 | 24001215 | KIT, BAND FASTENER | 7 |
| 34 | 24001266 | BASKET (18-2 SPEED) | 1 |
| 35 | 24001384 | KIT, FRONT SHELL | 1 |
| 36 | 24001657 | BOLT (S.S. 3/8-16 X 1 1/2") | 2 |
| 37 | 24001516 | WASHER, FLAT PLTD. (3/8") | 4 |
| 38 | 24001353 | CLAMP, HOSE (#40) | 4 |
| 39 | 24001660 | HOSE, DRAIN (REAR) | 1 |
| 40 | 24001116 | VALVE, DRAIN (2" 110V,60HZ) | 1 |
| 41 | 24001565 | HOSE, DRAIN (FRONT) | 1 |
| 42 | 24001805 | TRIM, FRONT PANEL | 1 |
| 43 | 24001659 | BOLT (S.S. 1/2"-13 X2) | 6 |
| 44 | 24001810 | WASHER, FLAT | 6 |
| 44 | 24001808 | WASHER, S.S. | 3 |
| 45 | 24001515 | NUT, FIBERLOCK PLTD. (3/8-16) | 2 |
| 46 | 24001130 | SLEEVE, SFT (2SP) | 1 |

*Color Code (-)=Not Shown #=Series, Serial Prefix or Run No., N=Not Available

Section: COIN METER (MAF18MC4V*)

Model: MAF18MC4VL



CW21-130

Section: COIN METER (MAF18MC4V*)

| No. | Part No. | Description | Series | Qty |
|-----|------------|--------------------------------|--------|-----|
| 1 | 24001256 | METER ASSY, DIG. CN | | 1 |
| 1 | N 24002034 | COIN METER, HANKE (DIGITAL) | | 1 |
| 2 | 24001831 | COIN COUNTING BOARD(W/LED DIS) | | 1 |
| 3 | 24001355 | POWER SUPPLY (120V) | | 1 |
| 4 | 24002035 | HARNESS, LED | | 1 |
| 5 | 24001073 | COIL, BLOCKING (CN-MTR.110V) | | 1 |
| 6 | 24001833 | SENSOR, COIN (MC MODELS) | | 1 |
| 7 | 24001363 | KIT, TERMINAL STRIP | | 1 |
| 8 | 24001109 | FILTER, RC-NTWK. | | 1 |
| 9 | 24001030 | DECAL,INSUL.TERM STIRP (33-40) | | 1 |

*Color Code (-)=Not Shown #=Series, Serial Prefix or Run No., N=Not Available

