

WASHER

Repair Parts List

MODEL NUMBER

MAH4000BWW

When requesting service or ordering parts, always provide the following information:

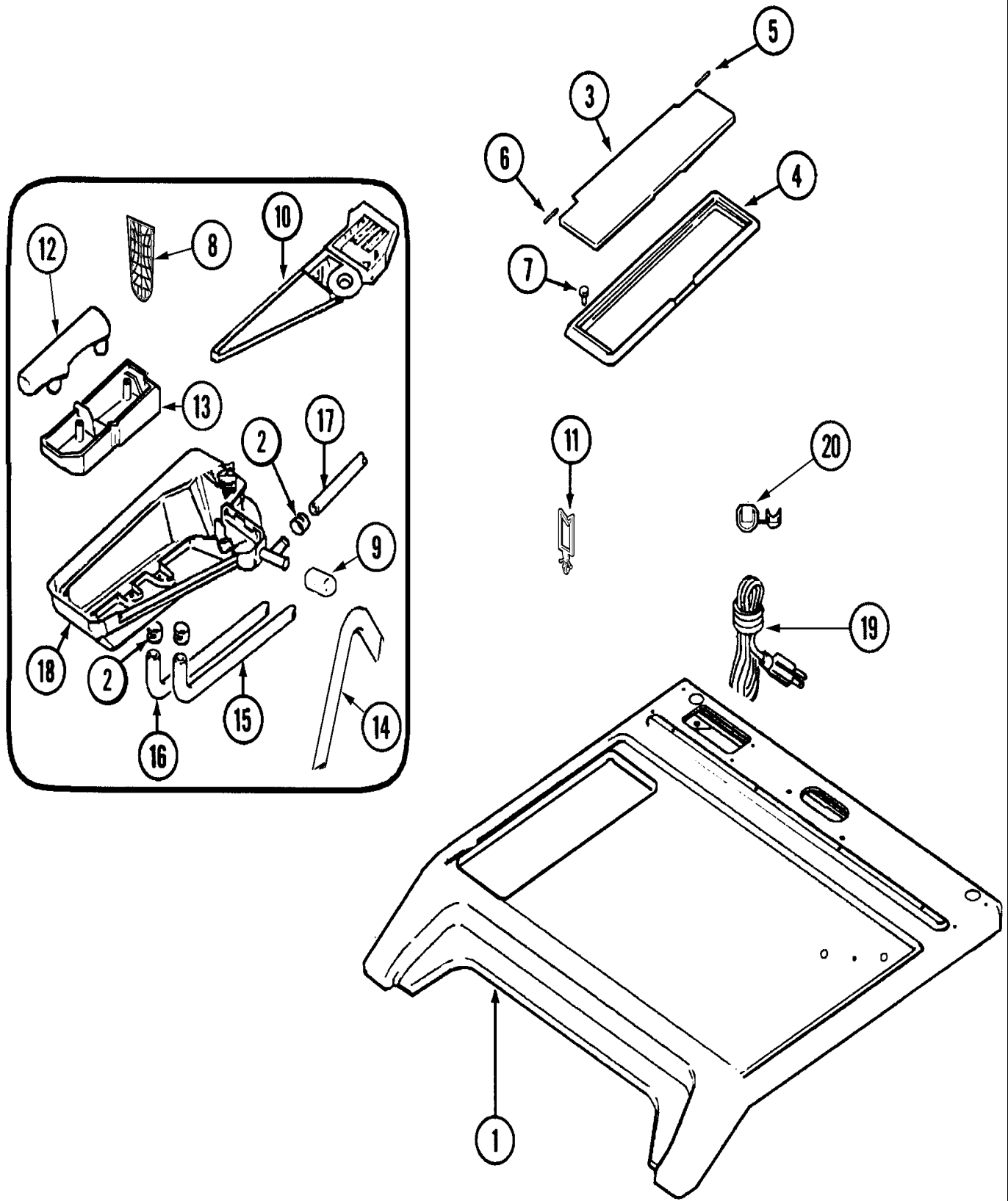
- Product Type
- Part Number
- Model Number
- Part Description

MAYTAG®

©2005 Maytag Services

Section: TOP

Model: MAH4000BWW



LW16-49

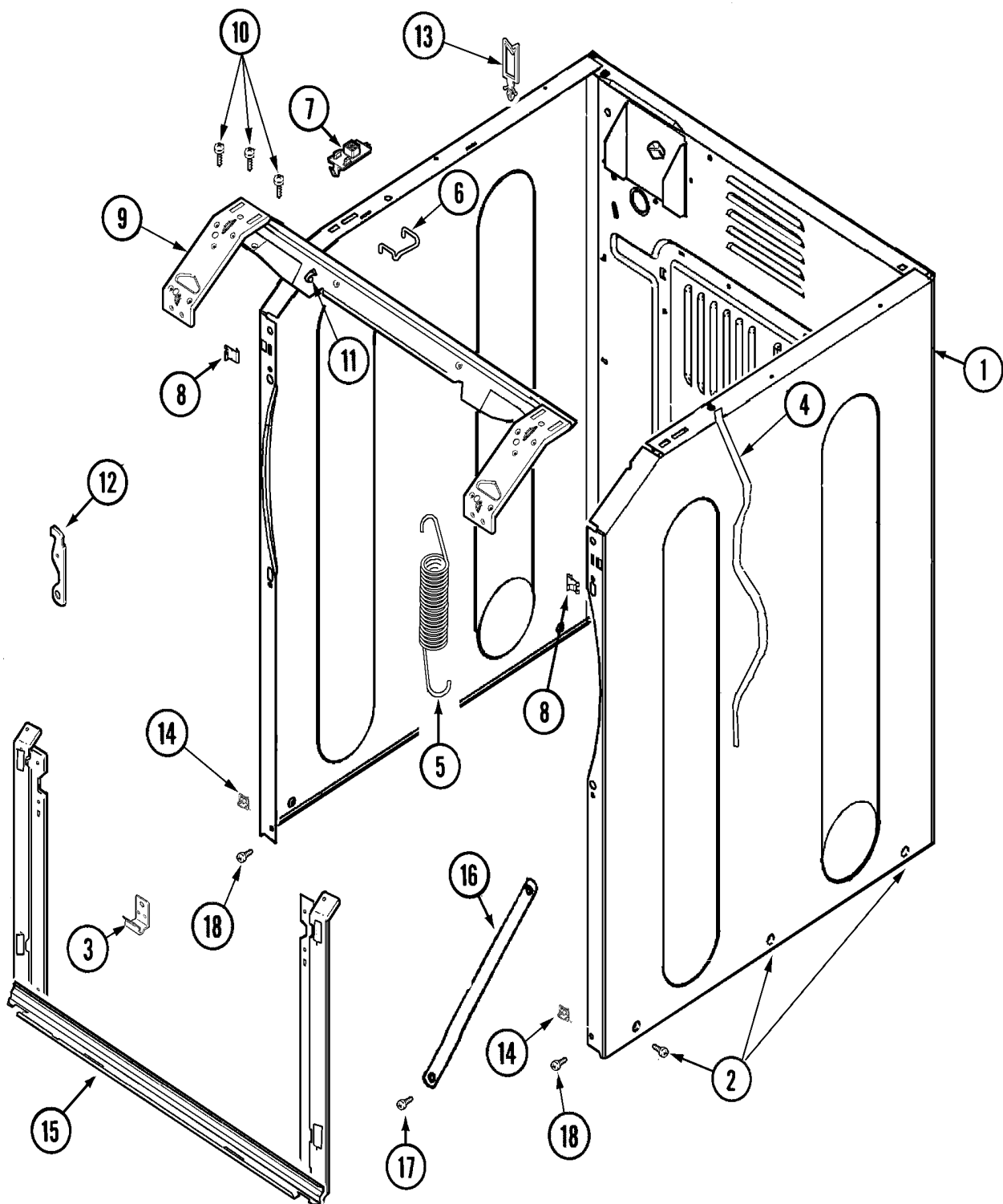
Section: TOP

No.	Part No.	Description	Series	Qty
1	22002116	COVER, TOP (WHT)	10	1
2	205161	CLAMP - 15/16" Note: CLAMP, HOSE	10	7
3	22002288	LID, DISPENSER (WHT)	10	1
4	22002290	BEZEL, DISPENSER (WHT)	10	1
5	Y912678	PIN, HINGE (LONG) Note: PIN, HINGE (LONG)	10	1
6	Y912679	PIN, HINGE (SHORT) Note: PIN, HINGE (SHORT)	10	1
7	22003263	SCREW Note: SCREW, DISPENSER BEZEL	10	4
8	22003321	GRID, DISPENSER	10	1
9	22002796	CAP	10	1
10	22003322	TOP, DISPENSER (FLUME)	10	1
11	22002027	WIRE TIE, TWIST LOCK	10	2
12	22002266	CAP, SIPHON	10	1
13	22002265	CUP, SIPHON	10	1
14	22003259	HOSE, SHOWER (9 1/2")	10	1
15	22002551	HOSE, BLEACH	10	1
16	N 22002552	HOSE, FABRIC SOFTENER----NA	10	1
17	22003457	HOSE, DETERGENT	10	1
18	22003320	BOTTOM, DISPENSER ASSY.	10	1
19	22001178	CORD, POWER	10	1
20	211881	GROMMET, CORD	10	1
-	912365	SCREW	10	1

*Color Code (-)=Not Shown #=Series, Serial Prefix or Run No., N=Not Available

Section: CABINET-FRONT

Model: MAH4000BWW



CW12-32

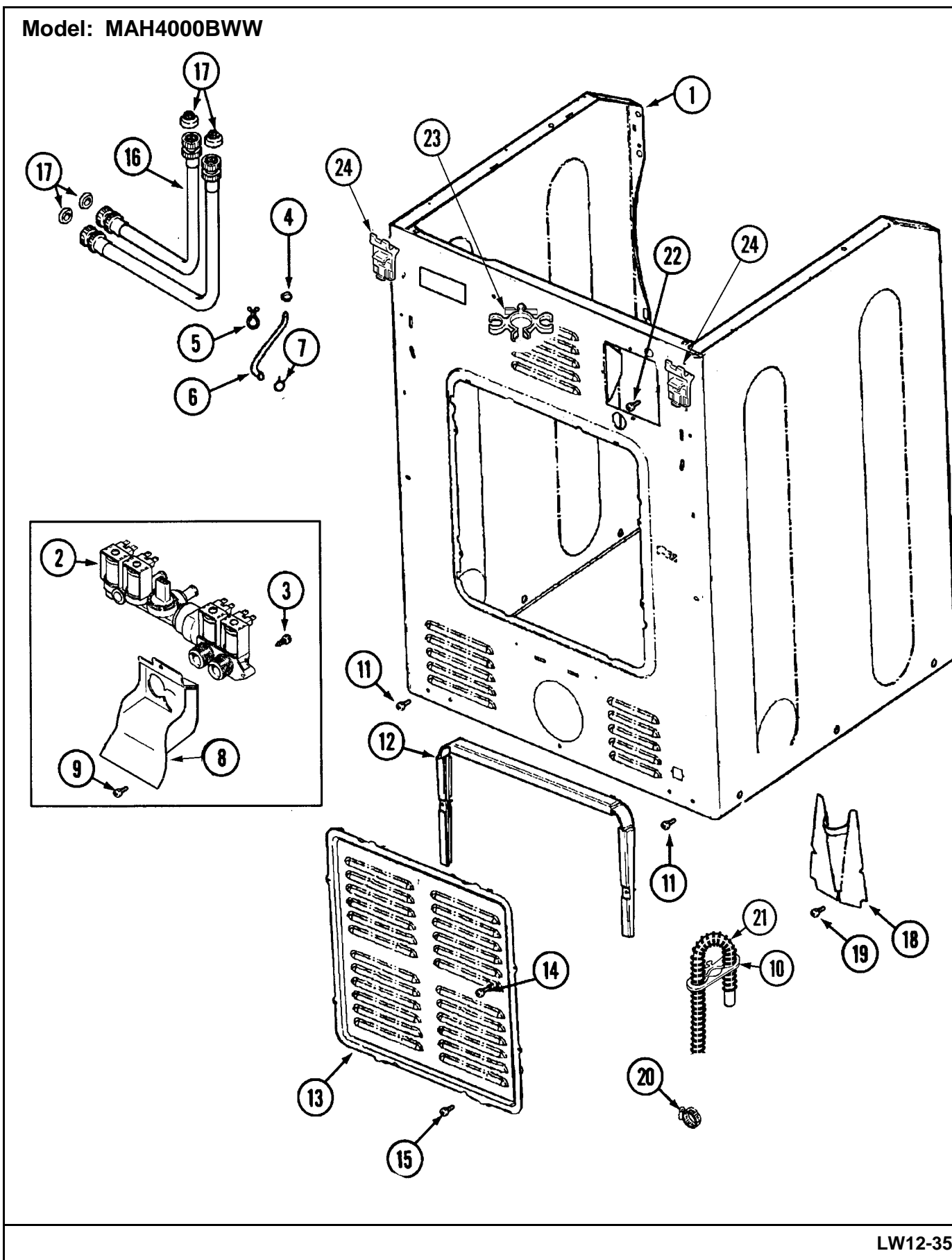
Section: CABINET-FRONT

No.	Part No.	Description	Series	Qty
1	22003639	CABINET ASSY. (WHT AS PK) Note: CABINET ASSY. (WHT, AS PK)	10	1
-	22002293	INSULATION, CABINET Note: (ONE ON EACH SIDE)	10	2
2	213007	SCREW, CABINET	10	6
-	22002013	STOP, SHIPPING	10	2
3	22002239	CLIP, LOWER FRONT PANEL	10	2
4	33001836	STRAP, TOP COVER SUPPORT	10	1
5	22002100	SPRING Note: SPRING, CABINET TO TUB	10	2
6	22002297	SUPPORT, SPRING	10	2
7	22001997	SPACER, TOP COVER	10	2
8	22002049	CLIP Note: CLIP, FRONT PANEL	10	2
9	22003637	BRACE ASSEMBLY, TOP CROSS Note: BRACE ASSEMBLY, TOP CROSS	10	1
10	22001995	SCREW Note: SCREW, BRACE ASSEMBLY	10	8
11	22002014	CLIP Note: CLIP, WIRE HARNESS	10	1
12	22002247	HOOK, SECURITY	10	2
13	22003298	RETAINER, WIRE	10	2
14	22002013	STOP, SHIPPING	10	2
-	22001995	SCREW Note: SCREW, SHROUD TO CORNER BRACE	10	4
15	22003652	SHROUD SUPPORT ASSEMBLY	10	1
16	22002259	BRACE, CROSS	10	2
17	22001995	SCREW Note: SCREW, CROSS BRACE	10	2
18	22001995	SCREW Note: SCREW, FRONT CABINET	10	2

*Color Code (-)=Not Shown #=Series, Serial Prefix or Run No., N=Not Available

Section: CABINET-REAR

Model: MAH4000BWW



LW12-35

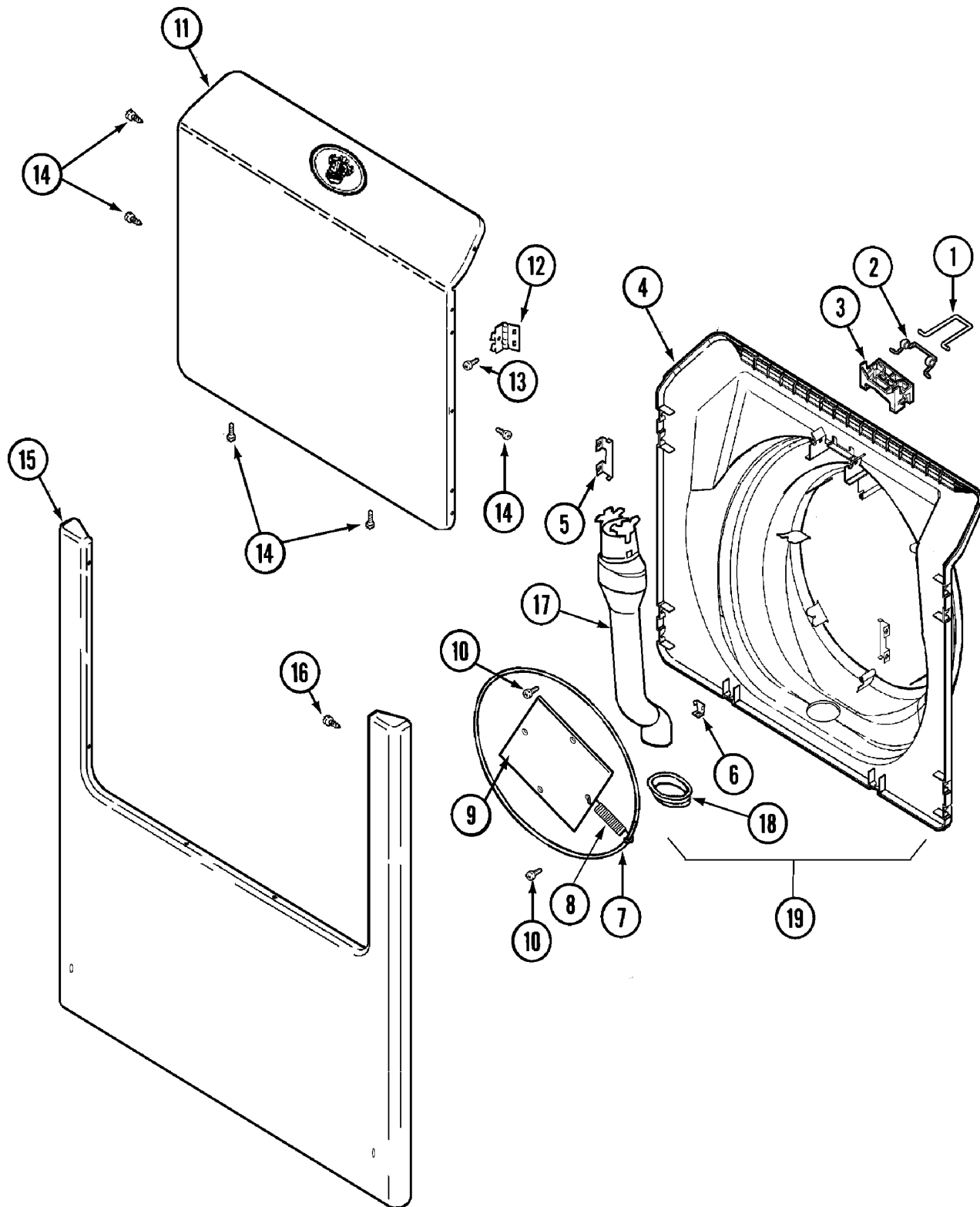
Section: CABINET-REAR

No.	Part No.	Description	Series	Qty
-	22002445	LABEL, SAFETY	10	1
1	22002548	CABINET ASSY. (WHT)	10	1
-	22002444	LABEL, ENERGY	10	1
2	22002795	VALVE, WATER	10	1
3	22002436	SCREW Note: SCREW, WATER VALVE	10	2
4	22002054	CLAMP, STEPLESS	10	1
5	22002027	WIRE TIE, TWIST LOCK	10	2
6	22002296	HOSE, INJECTOR	10	1
-	22002179	TIE, CABLE Note: TIE, CABLE	10	1
7	216169	CLAMP,HOSE-INJEC.HOSE TO VALVE Note: CLAMP, INJECTOR HOSE	10	1
8	33002212	BRACKET, WATER VALVE	10	1
9	22001996	SCREW Note: SCREW, WATER VALVE BRACKET	10	2
10	22002076	STRAP, DRAIN HOSE	10	1
11	22001995	SCREW Note: SCREW, CABINET	10	2
12	22002022	SPACER, ACCESS PANEL	10	1
13	22002092	PANEL, ACCESS	10	1
13	22004355	REAR ACCESS PANEL	11	1
14	22002295	SCREW Note: SCREW, ACCESS PANEL SPACER	10	2
14	22002925	SCREW	11	2
15	22001996	SCREW Note: SCREW, ACCESS PANEL	10	2
-	22002229	STRAINER	10	2
16	202860	INLET HOSE ASSY. Note: INLET HOSE ASSEMBLY	10	2
17	Y013783	GASKET, INLET HOSE Note: WASHER, INLET HOSE	10	4
18	22002093	COVER, DRAIN HOSE	10	1
19	22001995	SCREW Note: SCREW, DRAIN HOSE COVER	10	1
20	22001984	CLAMP, DRAIN HOSE	10	1
-	22002893	TIE, CABLE	10	1
21	22002932	CLIP, DRAIN HOSE	10	1
21	22002891	HOSE, DRAIN Note: HOSE, DRAIN (CORRUGATED)	10	1
22 N	33001245	SCREW---NA Note: SCREW, GROUND LUG	10	1
23	22002892	RETAINER, DRAIN HOSE	10	1
-	22001995	SCREW	10	2
24	22003367	HINGE, PLASTIC	10	2

*Color Code (-)=Not Shown #=Series, Serial Prefix or Run No., N=Not Available

Section: DOOR & FRONT PANEL

Model: MAH400BWW



LW18-9

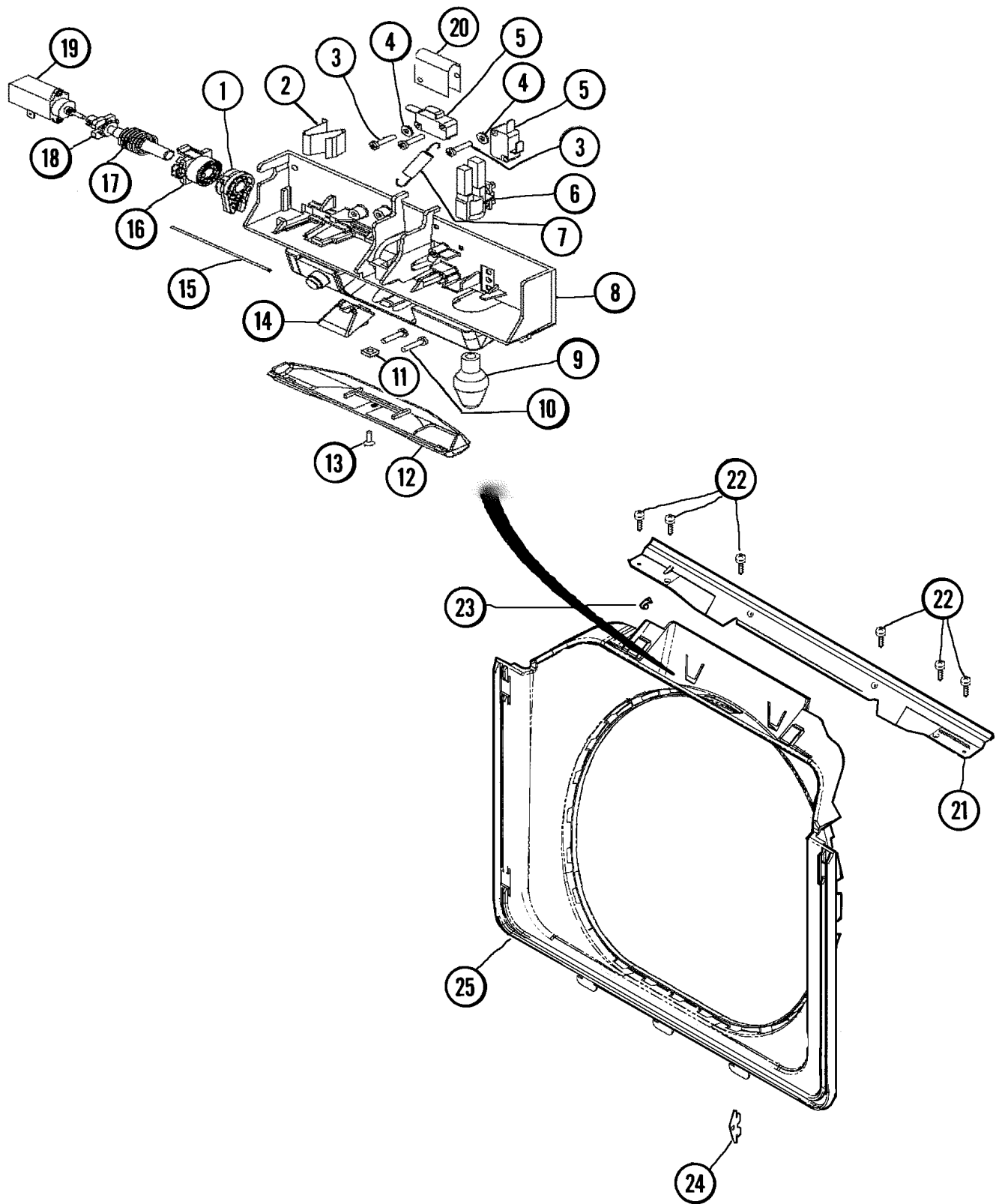
Section: DOOR & FRONT PANEL

No.	Part No.	Description	Series	Qty
1	22003222	HOOP, LOCK	10	1
2	22002003	SPRING, LATCH	10	1
3	22002168	SUPPORT, LOCK HOOP	10	1
4	22003076	DOOR, INNER (WHT)	10	1
-	22003800	INNER DOOR/VENTED (ASPK-WHT)	76	1
5	22002038	CLIP, DOOR (DOUBLE)	10	4
6	22002039	CLIP, DOOR (SINGLE)	10	2
7	22002104	WIREFRAME Note: REMOVED AT SERIES 39 PER ECN EL43377	10	1
8	22002356	SPRING, PLATE Note: REMOVED AT SERIES 39 PER ECN EL43377	10	4
9	22002094	PLATE Note: REMOVED AT SERIES 39 PER ECN EL43377	10	1
10	22002007	SCREW Note: REMOVED AT SERIES 39 PER ECN EL43377	10	2
-	22001817	SHEET, SOUND DAMPER (FT. PNL) Note: PAD, SOUND DAMPER	10	1
11	22002260	PANEL, DOOR (WHT-W/MEDALLION)	10	1
12	22002000	HINGE, DOOR---SUB	10	2
-	22002095	COVER, HINGE (WHT)	10	2
13	22002062	SCREW Note: SCREW, HINGE	10	4
14	22002063	SCREW #8-18AB WAFER HD	10	6
15	22002241	PANEL, FRONT (WHT)	10	1
-	22002239	CLIP, LOWER FRONT PANEL	10	2
-	22004428	SEAL, EXPORT	10	1
-	22002305	INSULATION, FRONT PANEL	10	1
-	22001995	SCREW Note: SCREW, FRONT PANEL CLIP	10	2
16	22002012	SCREW, HINGE Note: SCREW, HINGE	10	4
17	22002990	VENT TUBE ASSEMBLY	10	1
-	22002244	CLIP, GROUNDING	10	1
18	22003075	GROMMET, VENT TUBE	10	1
19	22003083	LINER, DOOR ASSY W/VENT (WHT)	10	1
-	22003908	VAPOR BARRIER	86	1

*Color Code (-)=Not Shown #=Series, Serial Prefix or Run No., N=Not Available

Section: DOOR SHROUD & LATCH ASSEMBLY

Model: MAH4000BWW



CW10-28

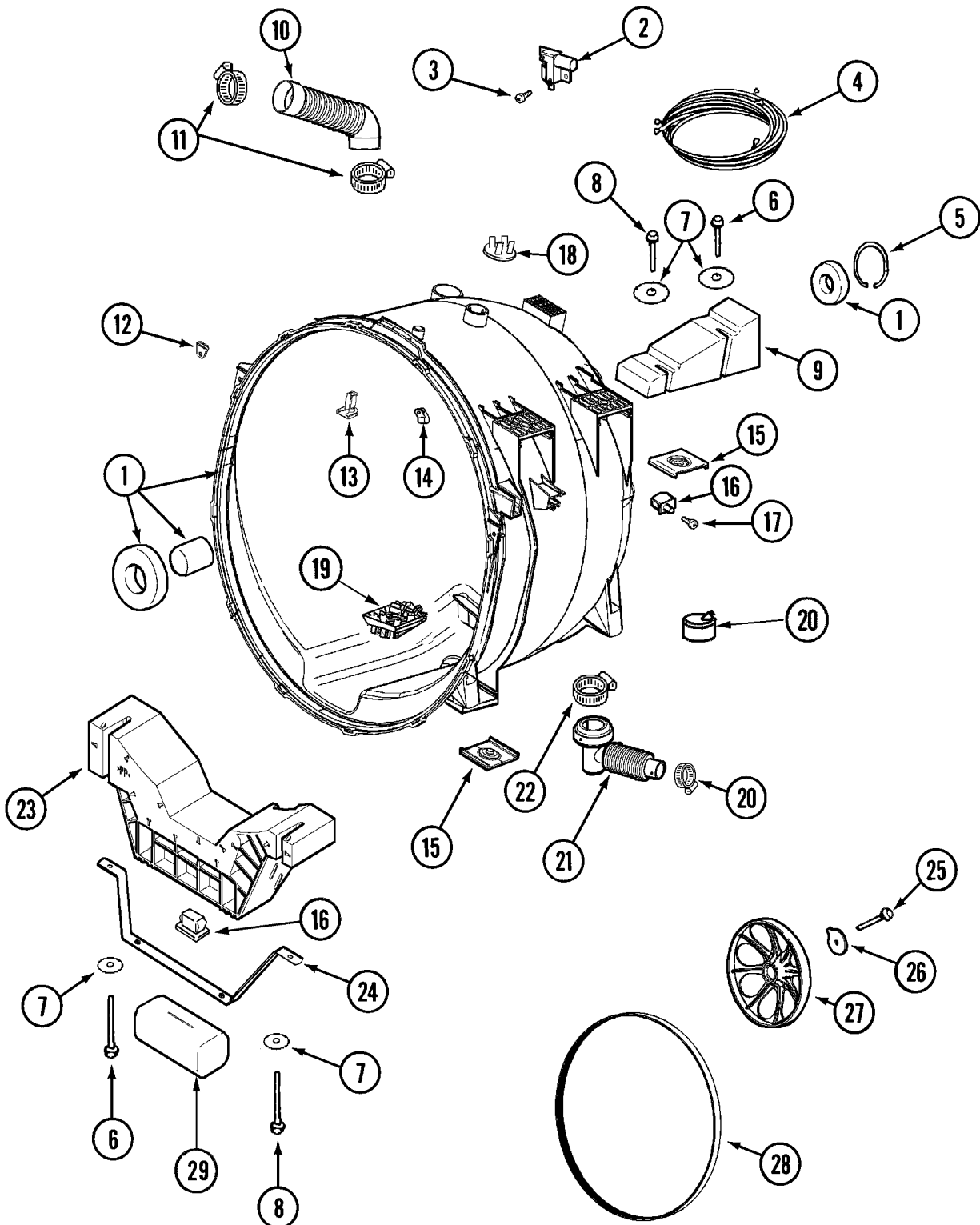
Section: DOOR SHROUD & LATCH ASSEMBLY

No.	Part No.	Description	Series	Qty
1	22003716	ROTATING GEAR, LATCH	10	1
2	22003717	SPRING, LATCH	10	1
3	22001352	SCREW, CHECK SWITCH	10	3
4	22002165	WASHER, DOOR LOCK SWITCH	10	2
5	22002162	SWITCH, DOOR LOCK SPIN ENABLE	10	2
6	22002433	BULB HOLDER ASSEMBLY	10	1
7	22002158	SPRING, GEAR RETURN	10	1
8	22003067	SWITCH HOLDER ASSEMBLY	10	1
9	22002263	LAMP (10 WATT)	10	1
10	22003719	SCREW, LATCH	10	2
11	22003720	NUT, LATCH	10	1
12	22002434	COVER, BULB	10	1
13	22002435	SCREW	10	1
14	22003055	RAMP, DOOR HOOP	10	1
15	22002164	CABLE, DOOR	10	1
16	22003715	SLIDING GEAR, LATCH	10	1
17	22003721	SPRING, AXLE / LATCH	10	1
18	22003718	AXLE, LATCH	10	1
19	22002119	MOTOR, WAX	10	1
20	22004256	SHIELD	10	1
21	22002015	SUPPORT, DOOR LOCK	10	1
22	22001995	SCREW	10	6
23	22002014	CLIP	10	1
-	33001787	SCREW, HINGE	75	2
24	22002095	COVER, HINGE (WHT)	10	2
25	22002234	SHROUD, PLASTIC (WHT)	10	1

*Color Code (-)=Not Shown #=Series, Serial Prefix or Run No., N=Not Available

Section: OUTER TUB

Model: MAH4000BWW



LW13-71

Section: OUTER TUB

No.	Part No.	Description	Series	Qty
1	22002907	TUB ASSEMBLY Note: (SPACER & BEARINGS AVAILABLE ONLY WITH OUTER TUB ASSY.)	10	1
1	22004080	OUTER TUB ASSEMBLY AS-PK KIT	22	1
1	22004465	OUTER TUB ASSY, AS PACK	38	1
2	22002045	SWITCH, INERTIAL - UNBALANCE Note: SWITCH, INERTIAL UNBALANCE	10	1
3	22002300	SCREW	10	2
4	33002216	WIRE HARNESS, UNBALANCE /COMM	10	1
5	N 22001981	RING, RETAINING	10	1
6	22001991	BOLT Note: BOLT (LONG)	10	2
7	N 22002067	WASHER, COUNTER BALANCE	10	2
8	22002056	BOLT Note: BOLT (SHORT)	10	2
9	22002102	WEIGHT, COUNTER BALANCE	10	1
10	22002083	HOSE, INJECTOR	10	1
11	22002052	CLAMP, INJECTOR HOSE	10	2
12	22002103	CLIP, U	10	2
13	22002959	DEFLECTOR, WATER	10	1
14	22002006	CLIP Note: CLIP, WIRE HARNESS & OUTER TUB	10	3
-	N 22002583	WIRE WRAP	10	2
15	22002065	NUT, COUNTER BALANCE	10	2
16	22002044	SWITCH, TUB DISPLACEMENT	10	2
17	22002061	SCREW	10	1
18	22002797	CLIP, HOSE (SADDLE HORN)	10	1
-	22002061	SCREW Note: SCREW, SADDLE HORN CLIP	10	1
19	22003710	SUMP CAP W/ LABYRINTH FEATURE Note: CAP, SUMP (TO OUTER TUB)	10	1
20	22003261	PLUG, OUTER TUB Note: PLUG, OUTER TUB	10	1
21	22003262	HOSE, TUB TO PUMP	10	1
22	22002053	CLAMP, SUMP HOSE	10	1
23	22004472	BRACKET, LOWER	38	1
23	22002579	FRONT WEIGHT BRACKET Note: WEIGHT ASSEMBLY (FRT)	10	1
24	22002008	STRAP	10	1
25	22002057	SCREW, SPINNER	10	1
-	22003936	WASHER (1 1/4")	37	1
26	22002055	WASHER, SPINNER SHAFT	10	1
27	22001998	PULLEY, SPINNER	10	1
28	12001435	BELT KIT, DRIVE	10	1
29	22002011	CUSHION	10	1

*Color Code (-)=Not Shown #=Series, Serial Prefix or Run No., N=Not Available

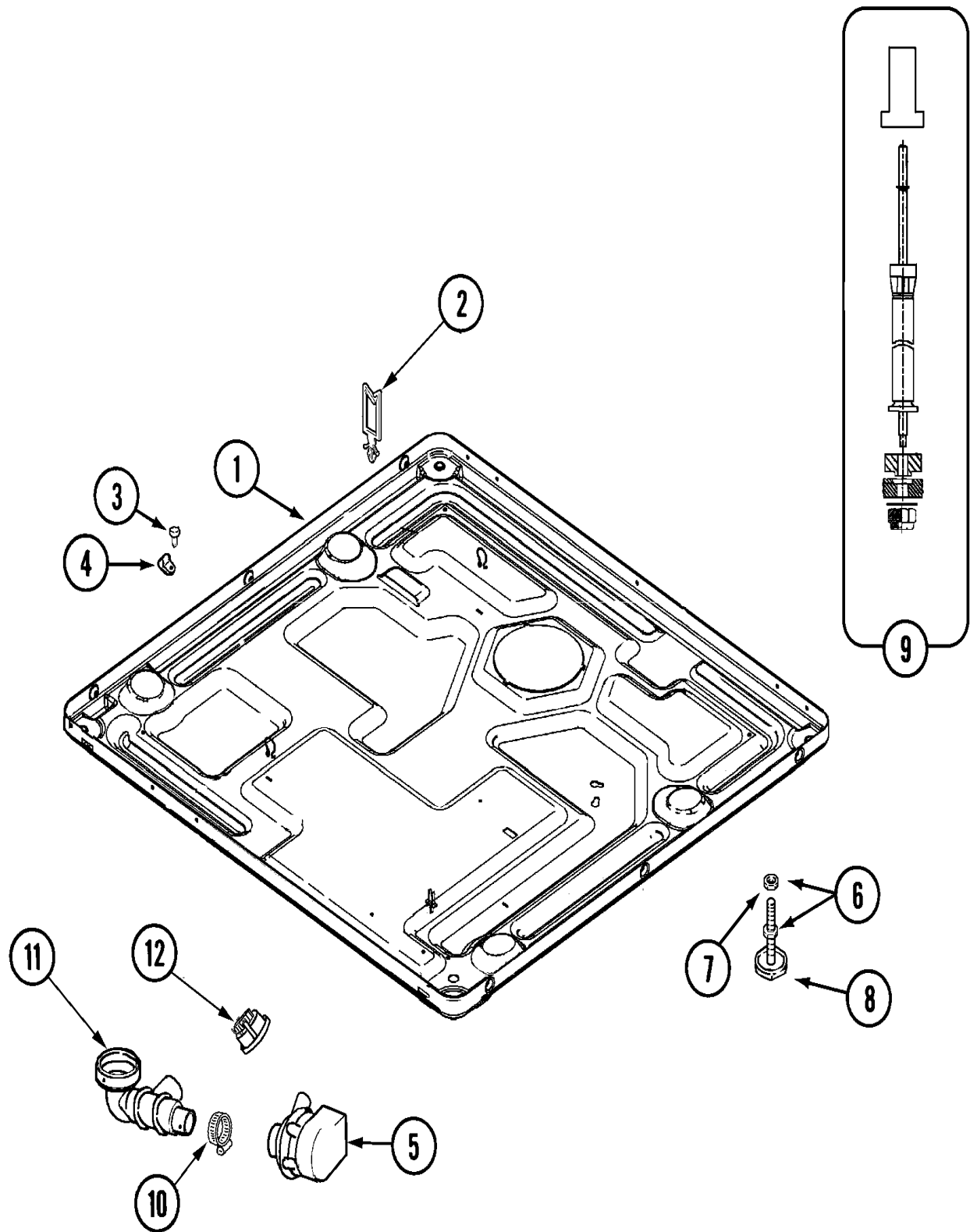
Section: SPINNER ASSEMBLY & OUTER TUB COVER

No.	Part No.	Description	Series	Qty
1	12001478	LIP SEAL SVC ASSY.	10	1
-	12002022	LIP SEAL KIT	22	1
2	22002105	WIRE, BOOT CLAMP	10	1
-	22002123	TUBE, MOLYKOTE	10	1
-	22004081	SPINNER SUPPORT ASSY AS-PK KIT	22	1
3	22002897	SUPPORT ASSY., SPINNER	10	1
-	22004108	O RING	22	1
4	22002023	WASHER, PLASTIC	10	3
5	22003413	OUTER TUB ASSY.(NC AS PACKED) Note: (BALANCE RING NOT AVAILABLE AS A SEPERATE PART)	10	1
-	22004080	OUTER TUB ASSEMBLY AS-PK KIT	22	1
6	22002021	WASHER, PROFILE	10	3
7	22002020	WASHER, SPINNER SUPPORT	10	3
8	22002122	NUT, SPINNER ATTACHMENT	10	3
9	22001985	BAFFLE, DRIP (REAR)	10	3
10	22002009	GROMMET, BAFFLE (REAR)	10	3
11	22001999	GROMMET, BAFFLE (FRT)	10	3
12	22002325	SCREW Note: SCREW, BAFFLE (REAR)	10	6
13	22001986	BAFFLE, DRIP (FRONT)	10	3
14	22002059	SCREW Note: SCREW, BAFFLE (FRONT)	10	6
15	22002077	SEAL, TUB COVER	10	1
16	22002050	CLIP, TUB TO COVER	10	12
17	22004264	ASSY., TUB COVER & SEAL	27	1
17	22003212	COVER, TUB (W/SEAL) (ASP)	10	1
18	22003074	GUARD, HOSE	10	1
19	22002099	SPRING, TUB	10	1
20	22003071	DOOR BOOT DRAIN HOSE	10	1
21	22003072	CLAMP, HOSE DOUBLE WIRE	10	1
22	22003070	DOOR BOOT W/DRAIN (GRAY)	10	1
23	22003073	CLAMP, HOSE DOUBLE WIRE	10	1

*Color Code (-)=Not Shown #=Series, Serial Prefix or Run No., N=Not Available

Section: BASE

Model: MAH4000BWW



LW10-56

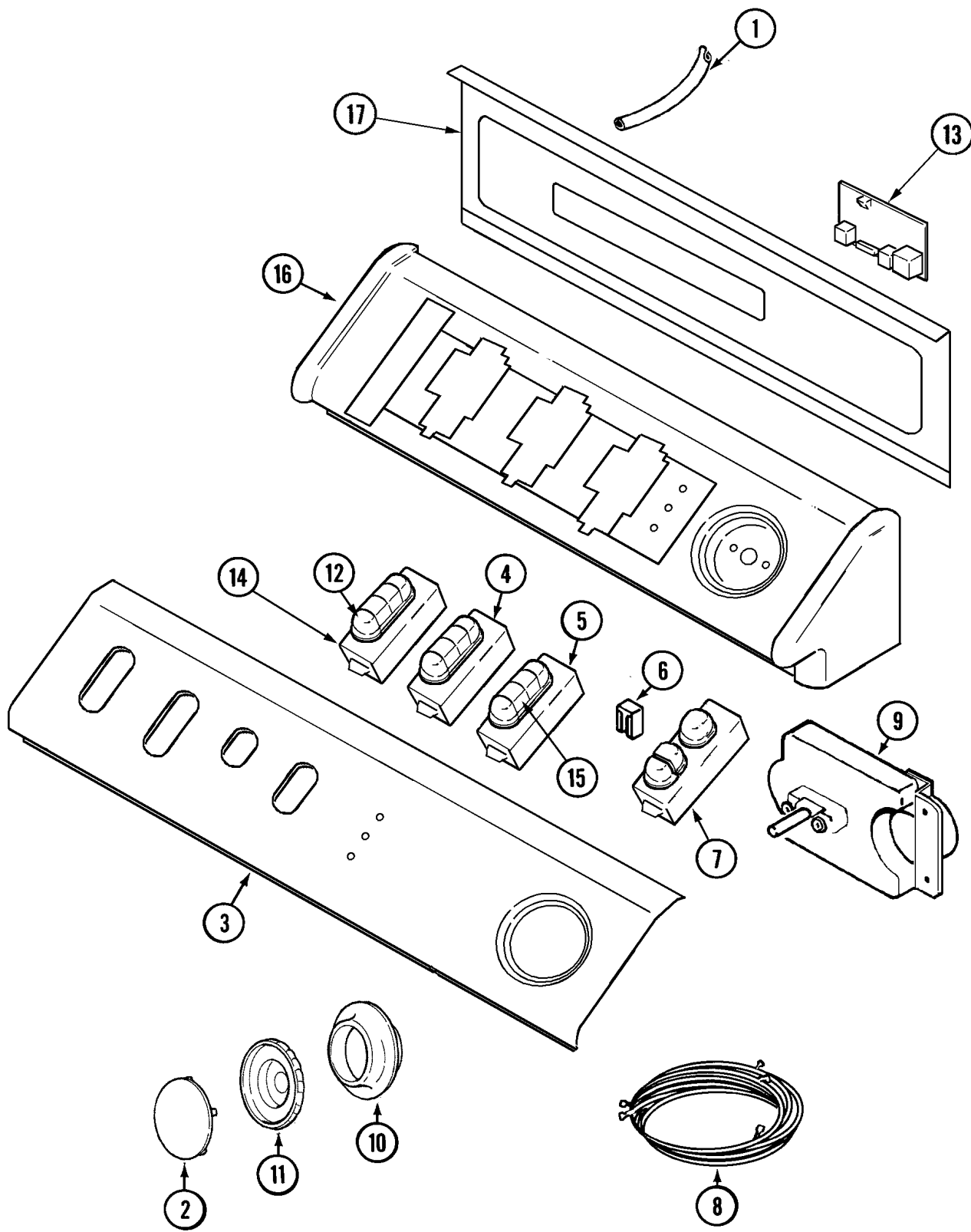
Section: BASE

No.	Part No.	Description	Series	Qty
1	22003605	BASE WELD ASSEMBLY	10	1
2	315471	RETAINER, WIRE	10	5
3	212276	SCREW Note: SCREW, WIRE HARNESS CLIP	10	1
4	22002014	CLIP Note: CLIP, WIRE HARNESS	10	1
5	22003244	PUMP	10	1
5	25001012	PUMP ISOLATOR BRACKET Note: NOT SHOWN ON GRAPHICS	10	1
6	22001915	ADJUSTABLE LEG & NUT	10	4
7	Y052740	NUT	10	4
8	210684	FOOT, RUBBER	10	4
9	22001988	STRUT ASSY-REAR Note: STRUT ASSY-REAR	10	2
10	202515	HOSE CLAMP - 1-1/16 INCH	10	1
11	22003262	HOSE, TUB TO PUMP	10	1
12	22003727	PRESSURE SWITCH, PUMP MOUNTED	10	1
- N	22003265	BAG, PLASTIC W/DRAWSTRING	10	1

*Color Code (-)=Not Shown #=Series, Serial Prefix or Run No., N=Not Available

Section: CONTROL PANEL

Model: MAH4000BWW



LW11-125

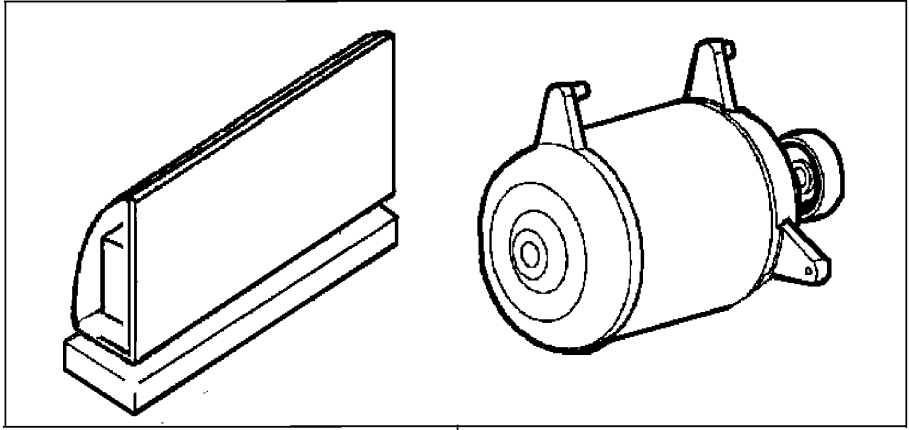
Section: CONTROL PANEL

No.	Part No.	Description	Series	Qty
1	22002010	HOSE, AIR DOME	10	1
2	22001664	TIMER KNOB INSERT/CAP (WHT)	10	1
3	22002785	PANEL, CONTROL	10	1
4	22002268	SWITCH, 4 POSITION (WHT)	10	1
5	22002278	SWITCH, OPTIONS (WHT)	10	1
6	22002281	INDICATOR LIGHT (ON LIGHT)	10	1
-	22001948	LENS, INDICATOR LIGHT	10	3
6	903115	LOCK LIGHT	10	2
7	22003012	BUTTON, PUSH TO START (WHT)	10	1
7	22002787	SWITCH, START/STOP	10	1
8	22003726	HARNESS, MAIN WIRE	10	1
9	22002867	TIMER	10	1
-	22001662	SCREW	10	1
10	22002282	BEZEL, TIMER DIAL (WHT)	10	1
11	22001659	TIMER KNOB - GREY	10	1
12	22001788	BUTTON, SWITCH (WHT-END)	10	7
13	22002989	BOARD, CONTROL	10	1
-	22003548	BRACKET, MTG. (SR MOTOR CTL)	10	1
14	22002268	SWITCH, 4 POSITION (WHT)	10	1
15	22001789	BUTTON, SWITCH (WHT-MDL)	10	1
16	33002286	CONSOLE (WHT)	10	1
-	Y22002339	SCREW	10	3
17	33001806	BACK, CONSOLE PANEL	10	1
-	22001996	SCREW	10	2
-	22003218	LAUNDERING TIPS (TRILINGUAL) Note: MANUAL, USE & CARE (FRCH)	10	1
- N	22003484	SCRIPT, U & C VIDEO (SPN)	10	1
-	22002899	VIDEO, U & C (ENG)	10	1
-	22003343	GUIDE, ENERGY	10	1
-	22004082	SEAL INSERTION TOOL	10	1

*Color Code (-)=Not Shown #=Series, Serial Prefix or Run No., N=Not Available




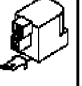




Section: MOTOR & MOTOR CONTROL

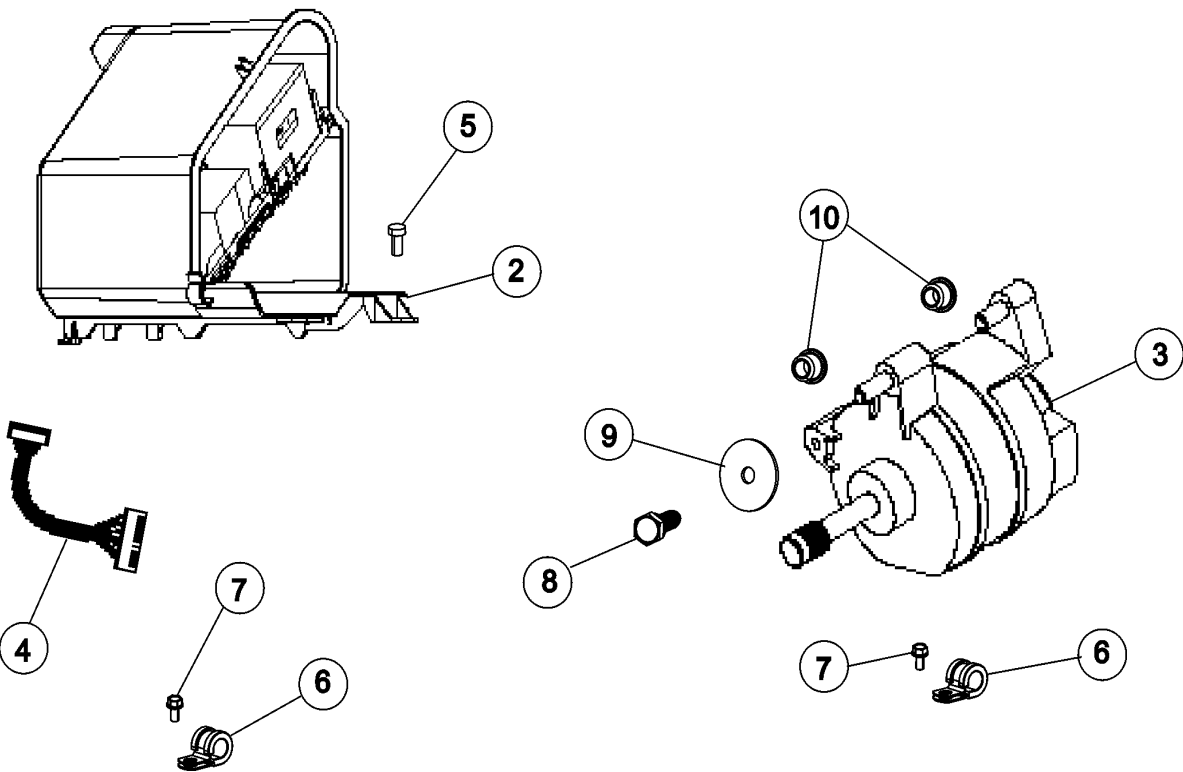
Model: MAH400BWW



1 USE FOR ITEM 2 PRIOR TO SERIES 26

ITEM 1 - KIT CONTAINS:

							
12002040 Motor Isolator	22004046 Motor Control Board	22004047 Motor Harness	22003654 AG Line Filter	22004102 "P" Clips (2)	22002300 Screw - "P" Clip to Motor	22004101 Lower Jumper Wire harness	22004103 Ground Screw



LW14-30

Section: MOTOR & MOTOR CONTROL

No.	Part No.	Description	Series	Qty
1	12002039	NEPTUNE MOTOR CONVERSION KIT	10	1
2	12002039	NEPTUNE MOTOR CONVERSION KIT	10	1
2	22004046	CONTROL ASSY., MOTOR	26	1
3	22003856	MOTOR, VARIABLE SPEED	26	1
3	22003442	MOTOR, (156 T) 60HZ 120V	10	1
4	22002471	WIRE HARNESS, MOTOR CONTROL	10	1
4	22004047	HARNESS, MOTOR/MOTOR CONTROL	26	1
5	212276	SCREW	10	2
6	22002173	CLIP, WIRE HARNESS	10	2
7	310632	SCREW	10	2
8	22003686	BOLT, MOTOR	10	1
9	22002086	ADJUSTER, BELT TENSION	10	1
10	22002082	ISOLATOR, MOTOR	10	2

*Color Code (-)=Not Shown #=Series, Serial Prefix or Run No., N=Not Available

