

WASHER

Repair Parts List

MODEL NUMBER

MAT10PSAGL

When requesting service or ordering parts, always provide the following information:

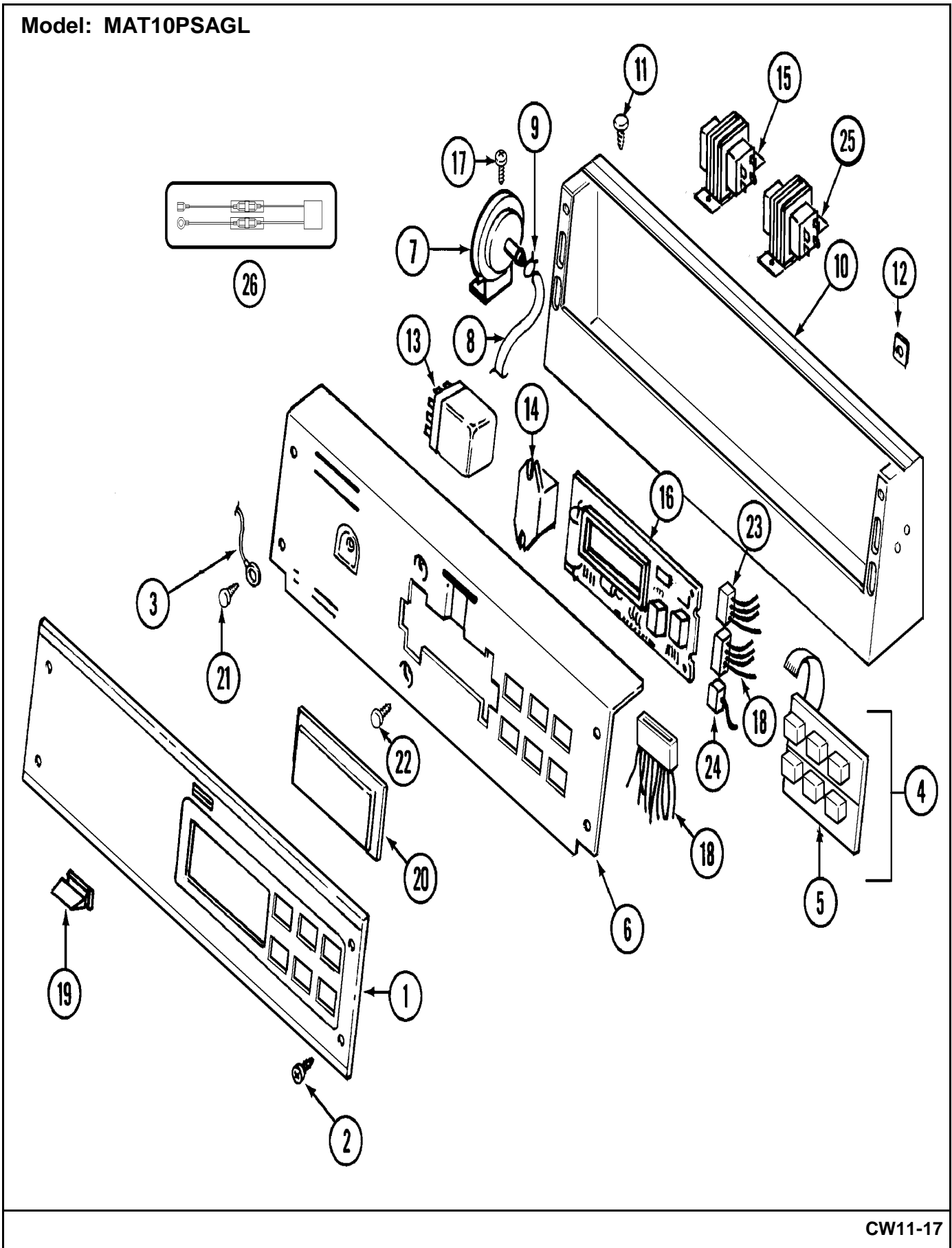
- Product Type
- Part Number
- Model Number
- Part Description

MAYTAG®

©2005 Maytag Services

Section: CONTROL PANEL

Model: MAT10PSAGL



CW11-17

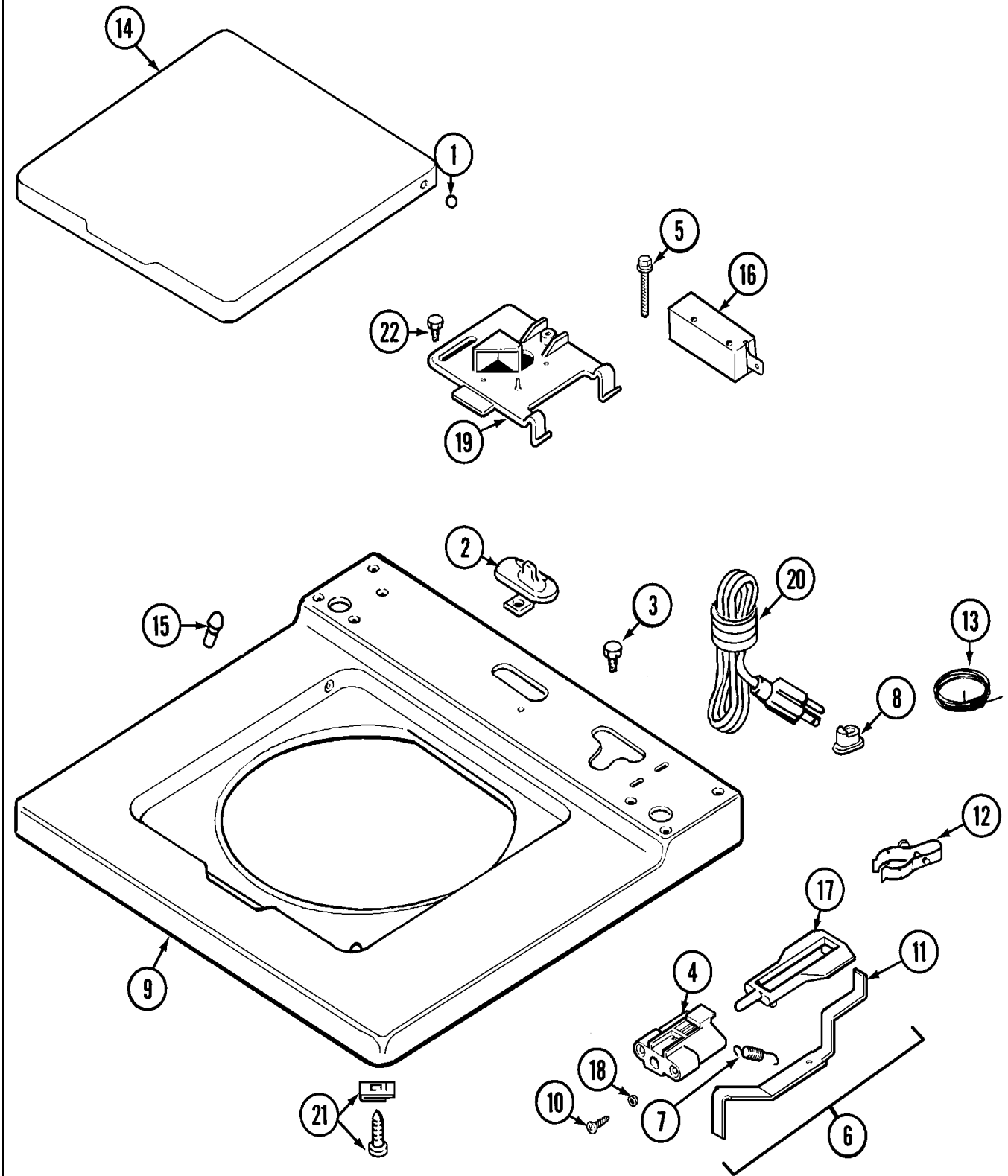
Section: CONTROL PANEL

No.	Part No.	Description	Series	Qty
1	N 22001145	PANEL, CONTROL (CHRM) Note: PANEL, CONTROL	A0	1
2	215506	SCREW, TORX Note: SCREW, CONTROL PANEL	A0	4
3	204807	GRND.WIRE,SUPP.PLTE TO TOP CVR Note: WIRE, GROUND	A0	1
4	206808	CONTROL SWITCH ASSY. Note: CONTROL SWITCH ASSEMBLY	A0	1
-	215527	SCREW Note: SCREW, SWITCH	A0	2
5	215517	PUSHBUTTON Note: PUSHBUTTON, CONTROL SWITCH	A0	2
6	215516L	BACK BRACKET Note: (ALM)	A0	1
7	22001308	SWITCH, WATER LEVEL Note: SWITCH, WATER LEVEL	A0	1
8	212942	AIR DOME AND TUBE Note: TUBE, WATER LEVEL SWITCH	A0	1
9	410296	CLAMP,WATER LEVEL SWTCH TUBE Note: CLAMP, WATER LEVEL TUBE	A0	1
10	206780L	CONSOLE (ALM) SU Note: (ALM)	A0	1
11	212276	SCREW Note: SCREW, CONSOLE	A0	5
12	215003	FASTENER Note: CLIP, SCREW	A0	2
13	206421	RELAY-MOTOR REVERSING Note: RELAY, REVERSING (DPDT)	A0	2
-	22001418	PLATE, RELAY	A0	1
-	212949	SCREW Note: SCREW, RELAY	A0	1
-	211294	SCREW Note: SCREW, TRANSFORMER	A0	1
15	207766	TRANSFORMER Note: TRANSFORMER (STEP DOWN)	A0	1
-	207767	WATER DEFLECTOR Note: SHIELD, CONTROL	A0	1
-	33001249	BATTERY	A0	1
16	N 33001129	BOARD-NLA-MUST REFURBISH Note: BOARD, CONTROL	A0	1
-	912077	LOCKNUT Note: LOCKNUT, CONTROL BOARD	A0	4
-	N 33001392	KIT, BATTERY & SUPPORT Note: BATTERY & SUPPORT KIT	A0	1
-	Y215513	SPACER CIRCUIT BOARD Note: SPACER, CONTROL BOARD	A0	4
-	N 33001115	SUPPORT, BATTERY	A0	1
17	211294	SCREW Note: SCREW, WATER LEVEL SWITCH	A0	2
-	314531	EDGEBOARD CONNECTOR Note: CONNECTOR, EDGEBOARD	A0	2
-	N Y312953	RECEPTACLE Note: TERMINAL, EDGEBOARD	A0	26
18	N 22001004	WIRE HARNESS, MAIN---NA	A0	1
19	214610	BUMPER, LID Note: BUMPER, LID	A0	1
20	33001208	COVER, DISPLAY	A0	1
21	210186	SCREW, GROUND WIRE TO BASE--NA Note: SCREW, GROUND WIRE	A0	1
22	215526	SCREW Note: SCREW, CONTROL BOARD	A0	2
23	206799	SWITCH, OPTIC ASSY. Note: OPTIC SWITCH ASSEMBLY	A0	1
-	N 22001360	CONNECTOR, EDGEBOARD----NA	A0	1
-	22001361	CONNECTOR, EDGEBOARD	A0	1
24	208045	HARNESS, WIRE (SENSOR SW'S.)	A0	1
25	22001417	TRANSFORMER, STEP DOWN	A0	1
-	211251	SCREW	A0	1
-	22001419	NUT (ELASTIC)	A0	1

*Color Code (-)=Not Shown #=Series, Serial Prefix or Run No., N=Not Available

Section: TOP

Model: MAT10PSAGL



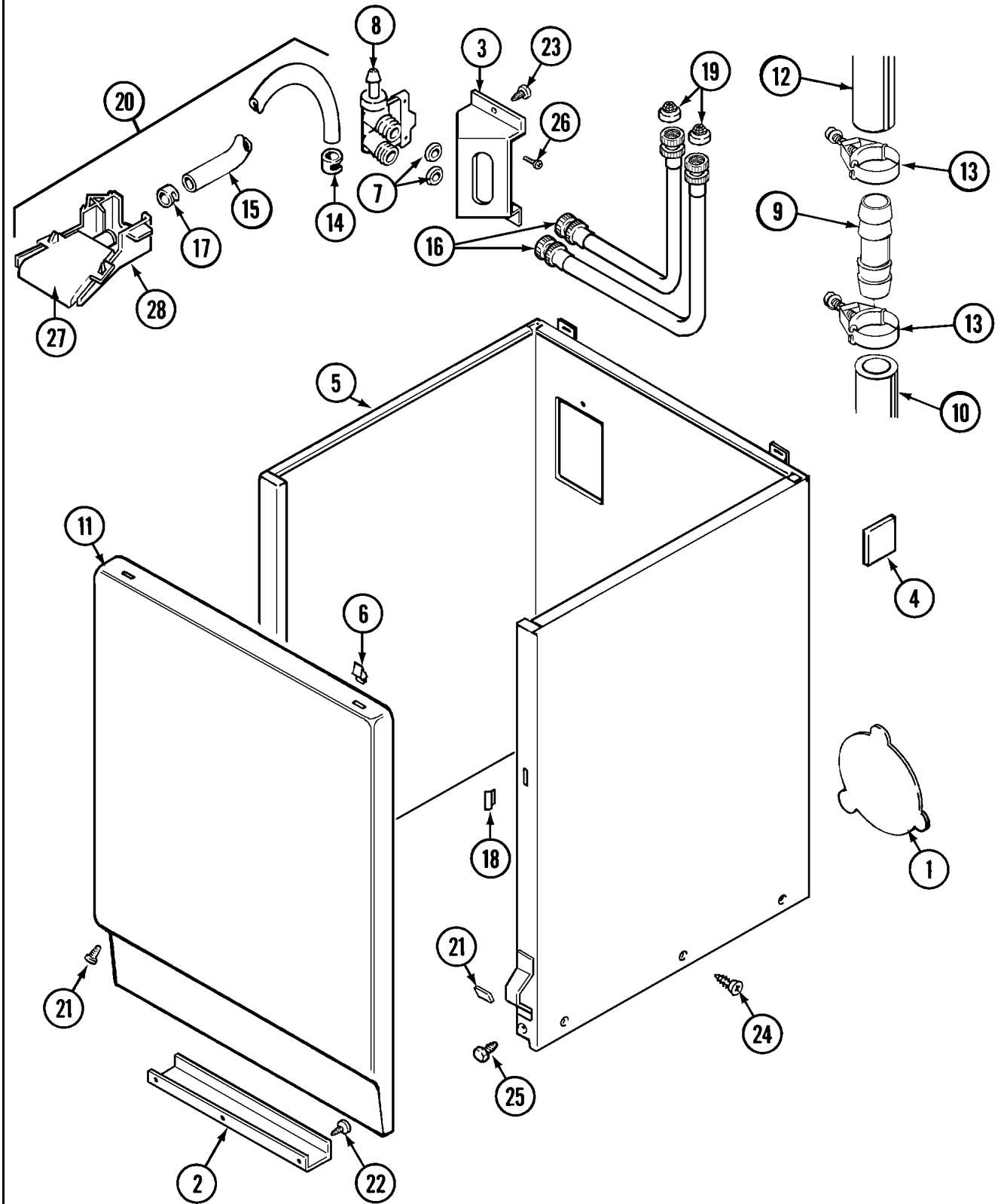
Section: TOP

No.	Part No.	Description	Series	Qty
1	211726	HINGE, BALL	A0	2
2	22001298	CAP, TOP COVER	A0	1
-	207159	SCREW Note: SCREW, CAP	A0	1
3	210186	SCREW, GROUND WIRE TO BASE--NA Note: SCREW, GROUND WIRE	A0	2
4	N 216256	BRACKET, UNBALANCE Note: BRACKET, PLUNGER	A0	1
5	213501	SCREW, #6-20 X 1-1/8 INCH Note: SCREW, LID SWITCH	A0	2
6	22001311	LEVER ASSY. (UNBALANCE) Note: UNBALANCE LEVER ASSEMBLY	A0	1
7	213720	SPRING	A0	1
8	216183	GROMMET, CORD EXPORT Note: (EXPORT)	A0	1
9	N 22001309	TOP, MAIN (ALM)----NA Note: TOP (ALM)	A0	1
10	910182	SCREW Note: SCREW, PLUNGER BRACKET	A0	2
11	22001136	LEVER, UNBALANCE	A0	1
12	301548	CLAMP, GROUND (W/SCREW)	A0	1
13	204807	GRND.WIRE,SUPP.PLTE TO TOP CVR Note: GROUND WIRE, SUPPORT PLATE	A0	1
14	22001342	LID W/LEGEND (ALM)----NA Note: (W/LEGEND-ALM)	A0	1
15	212716	BUMPER, LID	A0	2
16	22001362	SWITCH, LID	A0	1
17	216255	PLUNGER, UNBALANCE Note: PLUNGER, LID SWITCH	A0	1
18	211500	WASHER,BRACKE TO TOP COVER Note: WASHER, BRACKET	A0	2
19	Y215699	BRACKET,SWITCH & FUSE Note: BRACKET, SWITCH & FUSE	A0	1
20	22001351	CORD, POWER	A0	1
21	204445	SCREW & FASTENER ASY. Note: SCREW & FASTENER ASSEMBLY	A0	2
22	207159	SCREW Note: SCREW, BRACKET	A0	1

*Color Code (-)=Not Shown #=Series, Serial Prefix or Run No., N=Not Available

Section: CABINET

Model: MAT10PSAGL



CW12-1

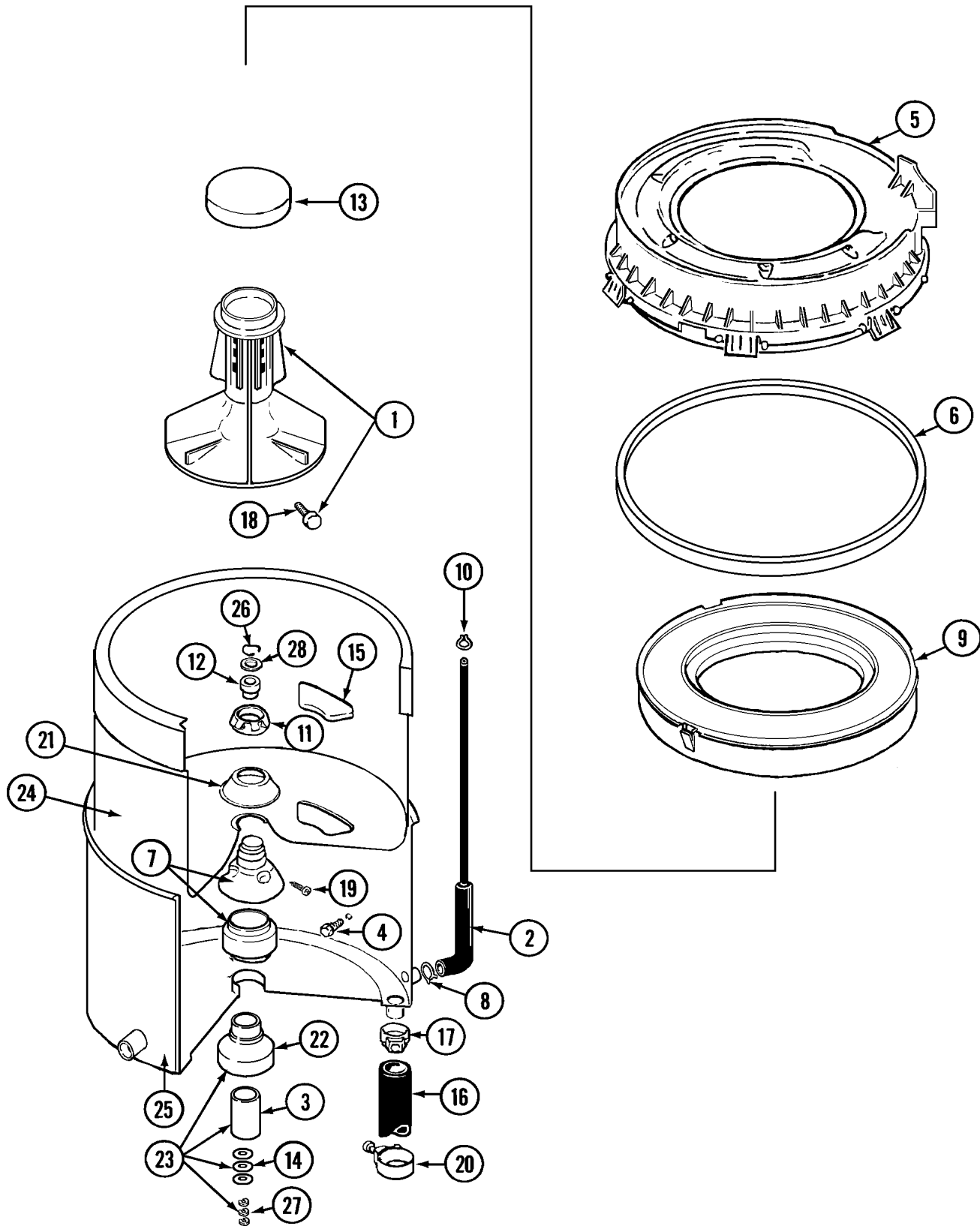
Section: CABINET

No.	Part No.	Description	Series	Qty
1	212985	PLATE, ACCESS (W/HOLE) Note: PLATE, ACCESS (W/HOLE)	A0	1
-	211294	SCREW Note: SCREW, PLATE	A0	2
1	N 211878	PLATE, ACCESS	A0	1
2	213846	GUARD, BELT	A0	1
3	214812	BRACKET,WATER VALVE Note: BRACKET, WATER VALVE	A0	1
4	215058	PAD, CABINET BUMPER	A0	2
5	N 22001303	CABINET (ALM)----NA Note: (ALM)	A0	1
6	212982	FASTENER, PANEL	A0	2
7	Y013783	GASKET, INLET HOSE Note: WASHER, INLET HOSE	A0	2
-	205161	CLAMP - 15/16" Note: CLAMP, WATER VALVE	15	1
8	22001604	VALVE, WATER 120V 60HZ	15	1
8	22001275	VALVE, WATER	A0	1
-	214337	SCREEN, VALVE	A0	2
9	211111	HOSE COUPLING Note: COUPLING, HOSE	A0	1
10	214768	DRAIN HOSE, 4 FOOT Note: HOSE, DRAIN	A0	1
11	216078L	PANEL, FRONT (ALM) SUB Note: (ALM)	A0	1
12	215057	DRAIN HOSE Note: HOSE, INTERNAL DRAIN	A0	1
13	200461	HOSE CLAMP - 1-5/8 INCH Note: CLAMP, HOSE	A0	2
14	216169	CLAMP,HOSE-INJEC.HOSE TO VALVE Note: CLAMP, HOSE	A0	1
15	22001190	HOSE, INJECTOR	A0	1
-	22001900	PREVENTER, BACK FLOW Note: PREVENTOR, BACK FLOW	15	1
15	22001608	INJECTOR HOSE & BACKFLOW ASSY. Note: INJECTOR HOSE & CLAMP KIT	15	1
16	208100	HOSE, INLET ASSY Note: INLET HOSE ASSEMBLY	A0	2
17	216170	CLAMP, HOSE	A0	1
18	214376	SPACER, FRONT PANEL	A0	2
19	200961	SCREEN WASHER, INLET HOSE	A0	2
20	22001304	INJECTOR ASSY., WATER Note: WATER INJECTOR ASSEMBLY	A0	1
21	204439	SCREW & FSTNER ASSY(FRT.PANEL) Note: SCREW & FASTENER ASSEMBLY	A0	2
22	211294	SCREW Note: SCREW, BELT GUARD	A0	3
23	212276	SCREW Note: SCREW, VALVE BRACKET	A0	1
24	213007	SCREW, CABINET Note: SCREW, CABINET SIDES	A0	6
25	213122	SCREW,CBNT.TO FRNT OF BASE--NA Note: SCREW, CABINT	A0	2
25	213121	SCREW Note: SCREW, CABINET	A0	3
26	N 313561	SCREW----NA Note: SCREW, WATER VALVE	A0	2
27	22001187	INJECTOR (UPR) Note: INJECTOR (UPR)	A0	1
28	22001186	INJECTOR (LWR) Note: INJECTOR (LWR)	A0	1

*Color Code (-)=Not Shown #=Series, Serial Prefix or Run No., N=Not Available

Section: TUB

Model: MAT10PSAGL



CW17-1

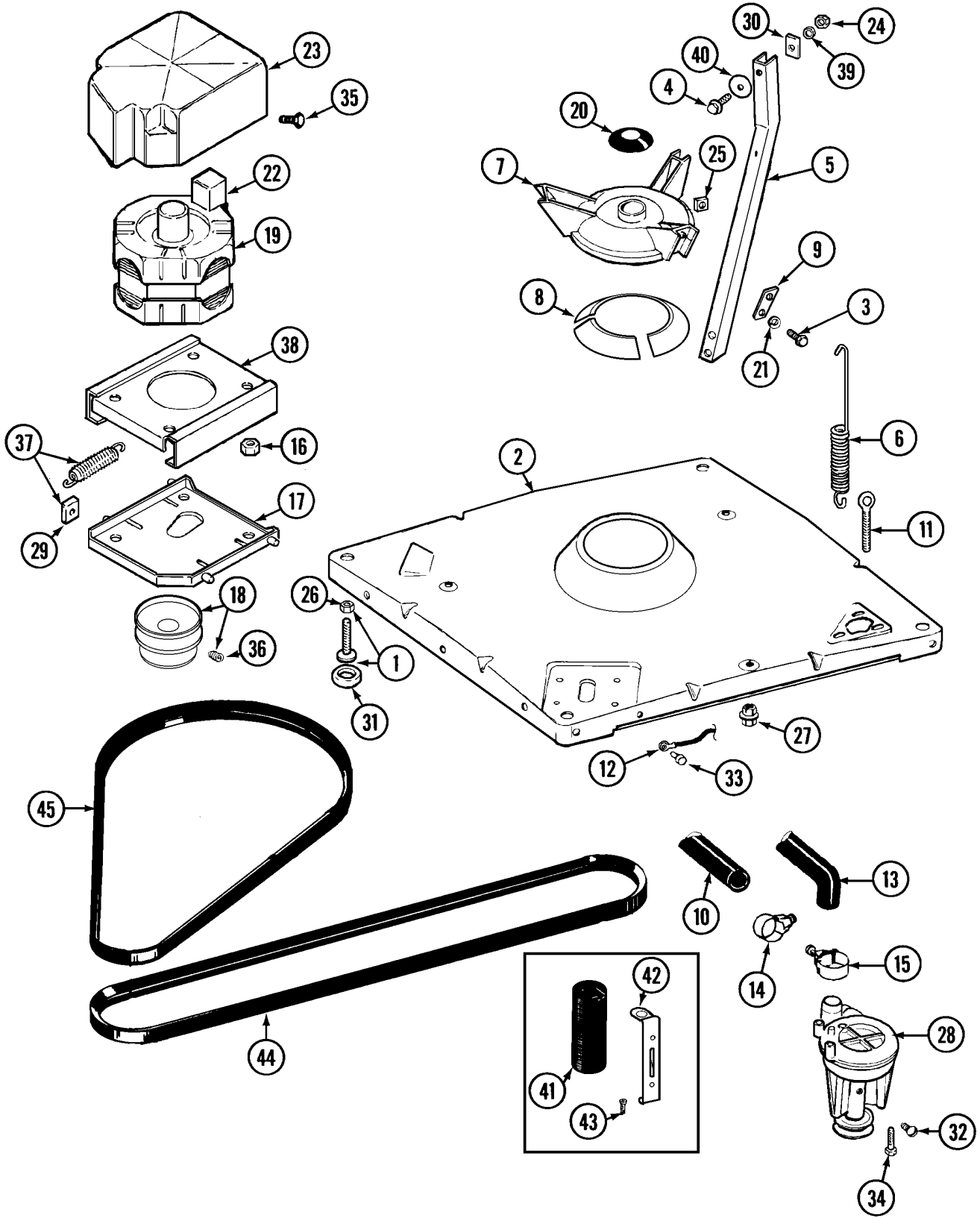
Section: TUB

No.	Part No.	Description	Series	Qty
1	208543	AGITATOR (W/LOCK SCREW) Note: AGITATOR (W/LOCK SCREW)	A0	1
2	212942	AIR DOME AND TUBE Note: TUBE, WATER LEVEL SWITCH	A0	1
3	211130	LINER, TUB BEARING	A0	1
4	205254	BOLT & GASKET ASSEMBLY (LONG) Note: (LONG)	A0	2
4	200744	BOLT & GASKET ASSY.(SHORT) Note: BOLT & GASKET ASSEMBLY (SHORT)	A0	1
5	22001606	COVER ASSY., TUB	15	1
5	22001299	TUB COVER & GASKET ASSEMBLY Note: TUB COVER & GASKET ASSEMBLY	A0	1
6	Y22001201	GASKET, TUB COVER Note: GASKET, TUB COVER	A0	1
7	204012	MOUNTING STEM REPAIR KIT	A0	1
8	211641	CLAMP, 1-1/16" Note: CLAMP (1-1/16")	A0	1
9	22001142	RING, BALANCE (W/CONCRETE) Note: RING, BALANCE (W/CONCRETE)	A0	1
10	410296	CLAMP,WATER LEVEL SWTCH TUBE Note: CLAMP, WATER LEVEL SWITCH TUBE	A0	1
11	211047	NUT, CLAMPING (INNER TUB)	A0	1
12	Y0A4298	SEAL, AGITATOR DRIVE SHAFT	A0	1
13	215532	AGITATOR CAP - BLACK Note: CAP, AGITATOR	A0	1
14	211100	WASHER, CUSHION	A0	3
15	215980	PLUG, FILTER HOLE Note: PLUG, TUB	A0	2
16	Y212989	HOSE, OUTER TUB TO PUMP Note: HOSE, OUTER TUB	A0	1
17	201011	CLAMP,HOSE (TUB OUTLET) Note: CLAMP, HOSE	A0	1
18	206478	SCREW & WASHER FOR AGITATOR Note: SCREW & WASHER ASSEMBLY	A0	1
19	211618	SET SCREW, MTG. STEM Note: SET SCREW, MOUNTING STEM	A0	1
20	202574	CLAMP, HOSE Note: CLAMP, TUB HOSE	A0	1
21	211210	WASHER,CLAMPING NUT(STAINLESS) Note: WASHER, CLAMPING NUT	A0	1
22	200824	BEARING, TUB	A0	1
23	204013	TUB BEARING REPAIR KIT	A0	1
24	22001141	TUB, INNER (LARGE-GRY) Note: TUB, INNER	A0	1
25	22001115	TUB, OUTER (LARGE)	A0	1
26	Y015667	RETAINING RING	A0	1
27	Y054867	WASHER, LOCK	A0	3
28	015666	WASHER,RETAINING(CENTER SEAL)- Note: WASHER, RETAINING	A0	1

*Color Code (-)=Not Shown #=Series, Serial Prefix or Run No., N=Not Available

Section: BASE

Model: MAT10PSAGL



LW10-13

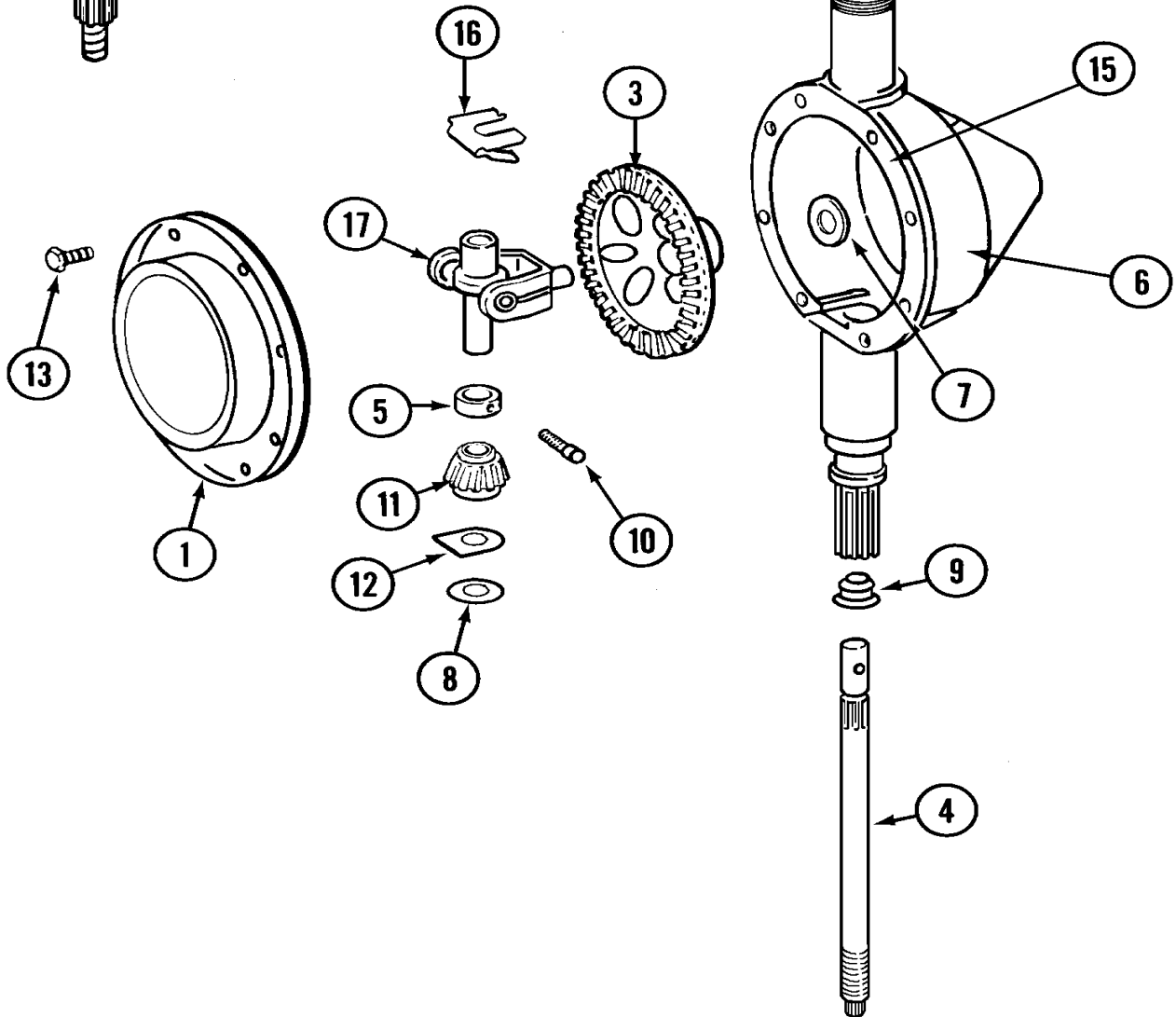
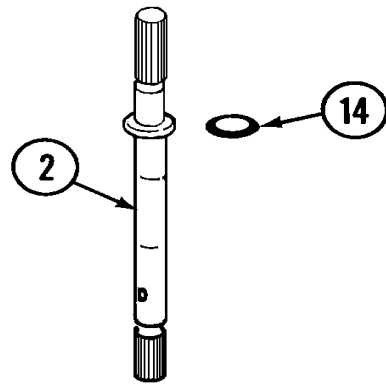
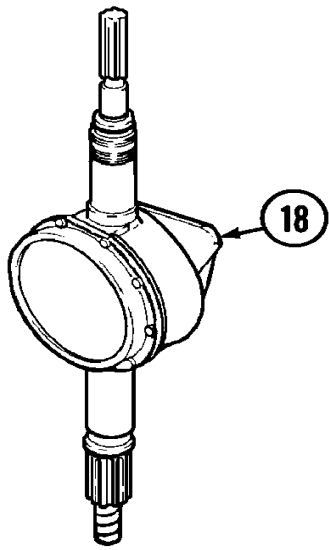
Section: BASE

No.	Part No.	Description	Series	Qty
1	302699	LEG, ADJUSTABLE (W/NUT)	A0	4
2	22001172	BASE (W/DAMPER PADS)	A0	1
3	Y015627	SCREW, HEX HD CAP 5/16 X 5/8	A0	6
4	205254	BOLT & GASKET ASSEMBLY (LONG) Note: (LONG)	A0	2
4	200744	BOLT & GASKET ASSY.(SHORT) Note: BOLT & GASKET ASSEMBLY (SHORT)	A0	1
5	213100	BRACE, TUB	A0	3
6	22001300	SPRING, CENTERING	A0	3
7	203725	DAMPER W/BOLT & CLIP Note: DAMPER (W/BOLT & CLIP)	A0	1
8	203956	DAMPER PAD KIT (W/POLY LUBE) Note: DAMPER PAD KIT (W/POLY LUBE)	A0	1
9	213073	WASHER, DOUBLE Note: WASHER, DOUBLE	A0	3
10	214768	DRAIN HOSE, 4 FOOT Note: HOSE, INTERNAL DRAIN	A0	1
11	216416	BOLT, EYE/CENTERING SPRING	A0	3
12	901220	WIRE, GROUND	A0	1
13	Y212989	HOSE, OUTER TUB TO PUMP Note: HOSE, OUTER TUB	A0	1
14	200461	HOSE CLAMP - 1-5/8 INCH Note: CLAMP, HOSE	A0	1
15	202574	CLAMP, HOSE Note: CLAMP, HOSE	A0	1
16	311426	NUT, WASHERED LOCK Note: NUT, MOTOR BASE	A0	3
17	22001301	MOUNT, MOTOR LOWER-ASSEMBLY	A0	1
18	200816	PULLEY, MOTOR (W/SET SCREW) Note: PULLEY, MOTOR (W/SET SCREW)	A0	1
19	202157	MOTOR (ONE SPEED - EXPORT)	A0	1
20	211028	DEFLECTOR,WATER (DRIVE TUBE) Note: DEFLECTOR, WATER (DRIVE TUBE)	A0	1
21	911852	WASHER, LOCK (BRACE) Note: WASHER, LOCK (BRACE)	A0	1
22	206505	SWITCH, MOTOR START Note: SWITCH, MOTOR EXTERNAL START PROD. # 201664-15 & 205463-3	A0	1
22	205131	SWITCH, MOTOR START Note: SWITCH, MOTOR EXTERNAL START PROD. # 207424-2	A0	1
22	205132	SWITCH, MOTOR START Note: SWITCH, MOTOR EXTERNAL START PROD. # 201664-14, 205463-4 & 201800-4	A0	1
23	215098	SHIELD, MOTOR	A0	1
24	Y052734	NUT Note: NUT, BRACE (TUB)	A0	3
25	Y052785	NUT,BRACE TO DAMPER Note: NUT, BRACE (DAMPER)	A0	6
26	210385	NUT, LOCK	A0	4
27	211949	NUT, EYEBOLT	A0	3
28	202203	PUMP AS PAK	A0	1
29	204998	GLIDE KIT (4 W/POLY LUBE)	A0	1
30	212979	WASHER, TUB BRACE	A0	3
31	210684	FOOT, RUBBER	A0	4
32	Y015408	SCREW, BEARING INSERT	A0	1
33	210186	SCREW, GROUND WIRE TO BASE--NA Note: SCREW, GROUND WIRE	A0	1
34	211880	SCREW, HEX HD #10 X 1/2 INC Note: SCREW, PUMP	A0	3
35	213121	SCREW Note: SCREW, MOTOR SHIELD	A0	1
36	Y053241	SET SCREW, PULLEY Note: SET SCREW, MOTOR PULLEY	A0	1
37	205000	GLIDE & SPRING KIT	A0	1
38	214956	MOUNT, MOTOR/UPPER Note: PLATE, MOTOR MOUNT (UPR)	A0	1
39	Y054867	WASHER, LOCK Note: WASHER, LOCK (BRACE)	A0	3
40	211100	WASHER, CUSHION Note: WASHER, CUSHION (BRACE)	A0	3
41	201101	CAPACITOR	A0	1
42	211149	CLIP, CAPACITOR	A0	1
43	211149	CLIP, CAPACITOR	A0	1
44	211451	PUMP BELT 120-50 240-50 Note: V BELT, PUMP (EXPORT)	A0	1
45	211948	DRIVE BELT 120-50 240-50 Note: V BELT, DRIVE PULLEY (EXPORT)	A0	1

*Color Code (-)=Not Shown #=Series, Serial Prefix or Run No., N=Not Available

Section: TRANSMISSION

Model: MAT10PSAGL



LW15-14

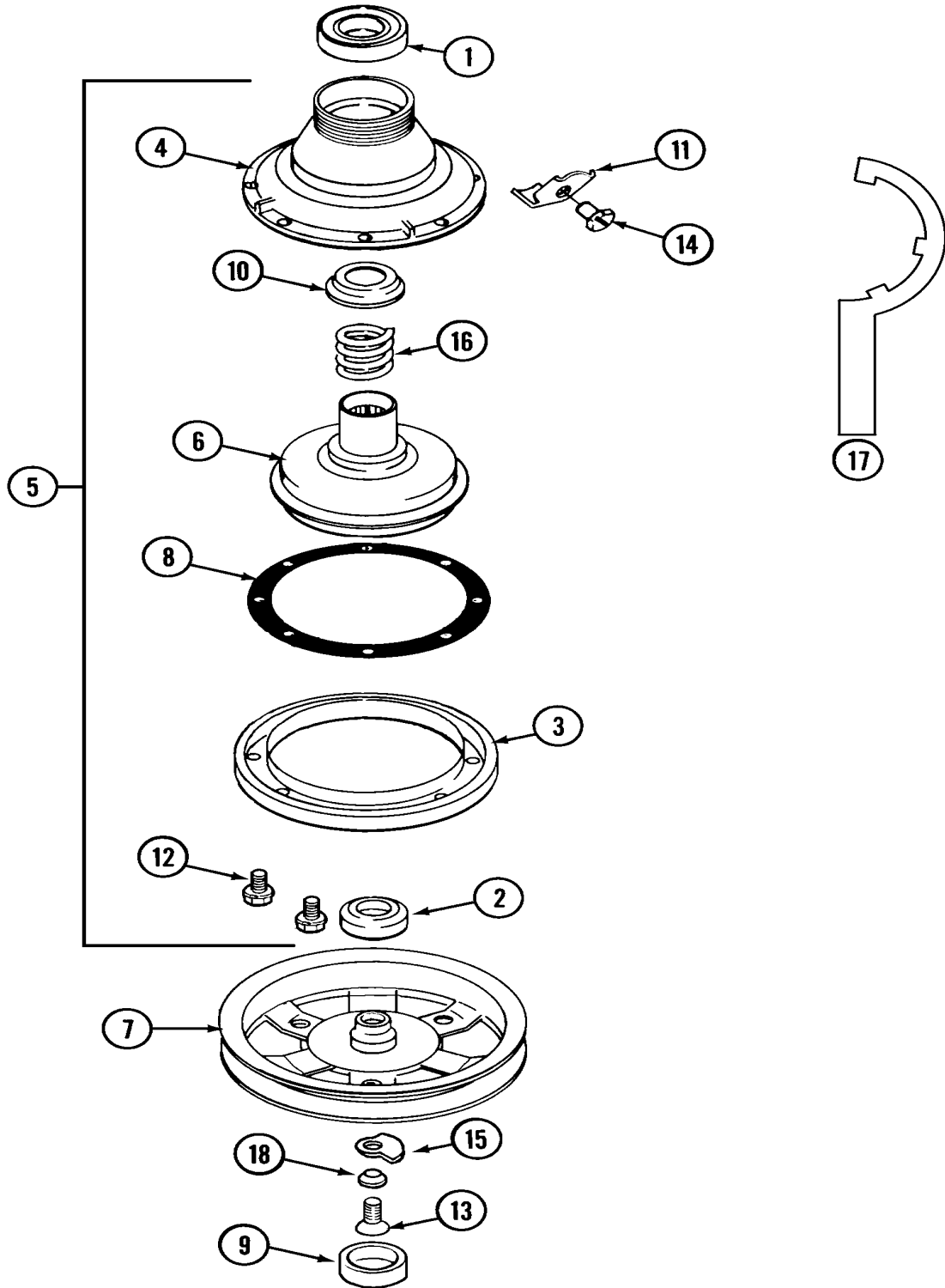
Section: TRANSMISSION

No.	Part No.	Description	Series	Qty
1	206628	COVER, TRANSMISSION	A0	1
2	207153	SHAFT, AGITATOR (W/SPRING) Note: SHAFT, AGITATOR (W/SPRING)	A0	1
3	206713	GEAR, BEVEL	A0	1
4	N 215411	SHAFT, CENTER	A0	1
5	215415	COLLAR, LOWER Note: COLLAR (LWR)	A0	1
6	206625	HOUSING, TRANSMISSION Note: HOUSING, TRANSMISSION	A0	1
7	215394	WASHER, BEVEL GEAR	A0	1
8	211483	WASHER, SPLINED	A0	1
9	206602	SEAL, LIP (CENTER SHAFT)	A0	1
10	206629	PIN, COLLAR	A0	1
11	215401	PINION	A0	1
12	215395	PLATE, CLUTCH	A0	1
13	215417	SCREW, TRANSMISSION COVER	A0	8
14	210690	SEAL, RUBBER	A0	1
15	Y058700	SILASTIC,ADH.SEALANT Note: SILASTIC, ADHESIVE SEALANT	A0	1
16	215581	SPRING, AGITATOR SHAFT	A0	1
17	206685	BLOCK, TORQUE AND YOKE ASSEMBL	A0	1
18	206708	TRANSMISSION Note: TRANSMISSION (COMPLETE)	A0	1

*Color Code (-)=Not Shown #=Series, Serial Prefix or Run No., N=Not Available

Section: CLUTCH, BRAKE & BELTS

Model: MAT10PSAGL



Section: CLUTCH, BRAKE & BELTS

No.	Part No.	Description	Series	Qty
1	200720	BALL BEARING, RADIAL	A0	1
2	200835	BEARING, BRAKE ROTOR	A0	1
3	211043	DRUM, BRAKE	A0	1
4	211045	HOUSING, BRAKE	A0	1
5	201190	BRAKE ASSEMBLY Note: PACKAGE, BRAKE	A0	1
6	201126	ROTOR, BRAKE (W/FACING)	A0	1
7	211059	PULLEY, DRIVE	A0	1
8	211042	GASKET, BRAKE DRUM	A0	1
9	N 211038	CAP, OIL RETAINER	A0	1
10	211039	RETAINER, BRAKE SPRING	A0	1
11	213325	CLIP, RETAINER	A0	1
12	211000	SCREW,HEX HEAD (BRAKE DRUM) Note: SCREW, BRAKE DRUM (HEX HD)	A0	8
13	211375	SCREW,STOP LUG(CENTER SHAFT) Note: SCREW, DRIVE LUG	A0	1
14	213326	SCREW, RETAINING CLIP Note: BOLT, RETAINING CLIP	A0	1
15	211089	LUG, STOP	A0	1
16	211041	SPRING, BRAKE	A0	1
17	Y038315	TOOL, BRAKE PKG ASSY Note: TOOL, BRAKE PACKAGE ASSEMBLY	A0	1
18	211090	WASHER, LOCK Note: WASHER, LOCK (DRIVE LUG)	A0	1

*Color Code (-)=Not Shown #=Series, Serial Prefix or Run No., N=Not Available

