

PARTS LIST

for

MAYTAG[®]

**COMMERCIAL
AUTOMATIC WASHER**

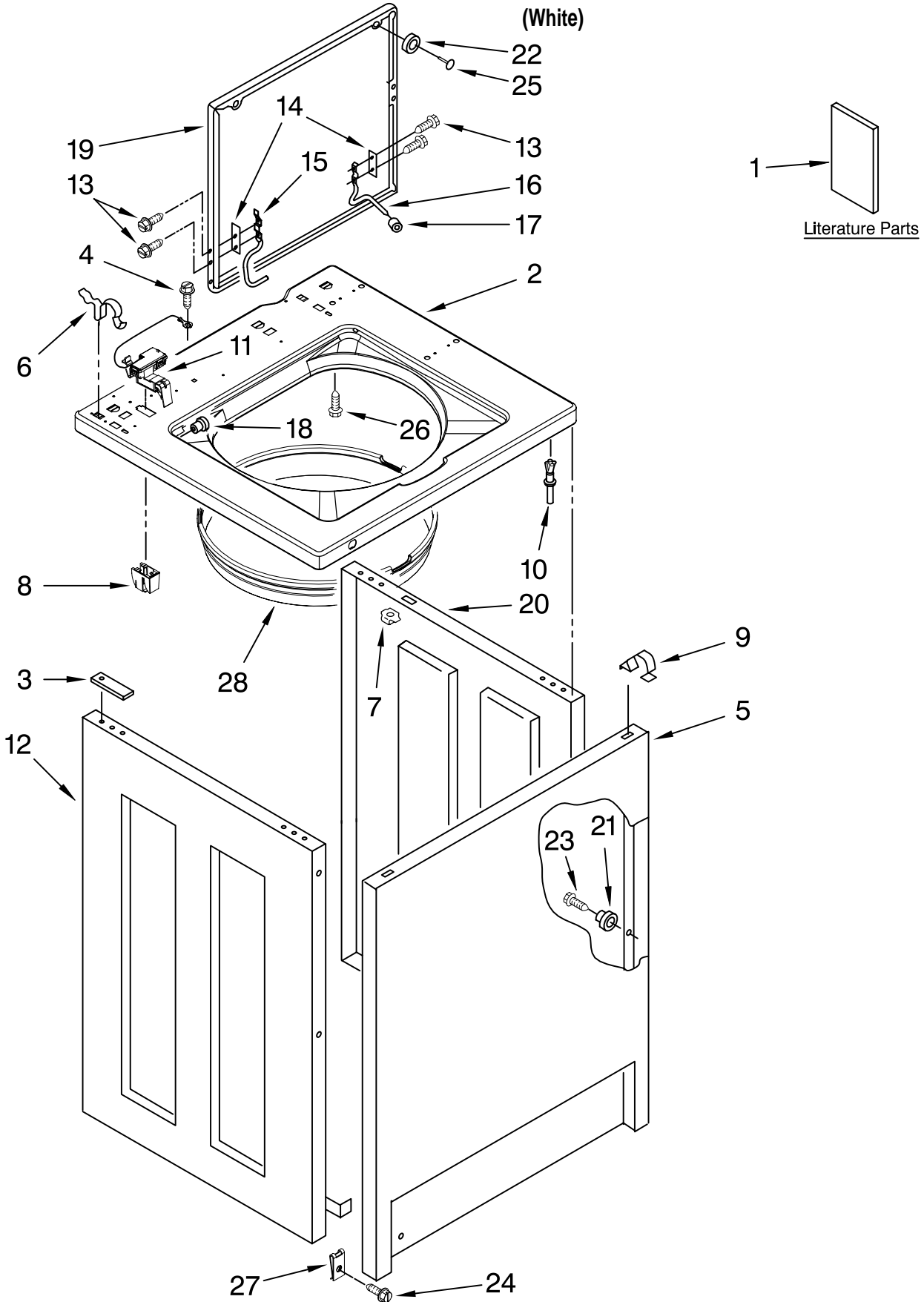
MODEL NO.

MAT14CSBGW0

TOP AND CABINET PARTS

For Model: MAT14CSBGW0

(White)



FOR ORDERING INFORMATION REFER TO PARTS PRICE LIST

TOP AND CABINET PARTS

For Model: MAT14CSBGW0

(White)

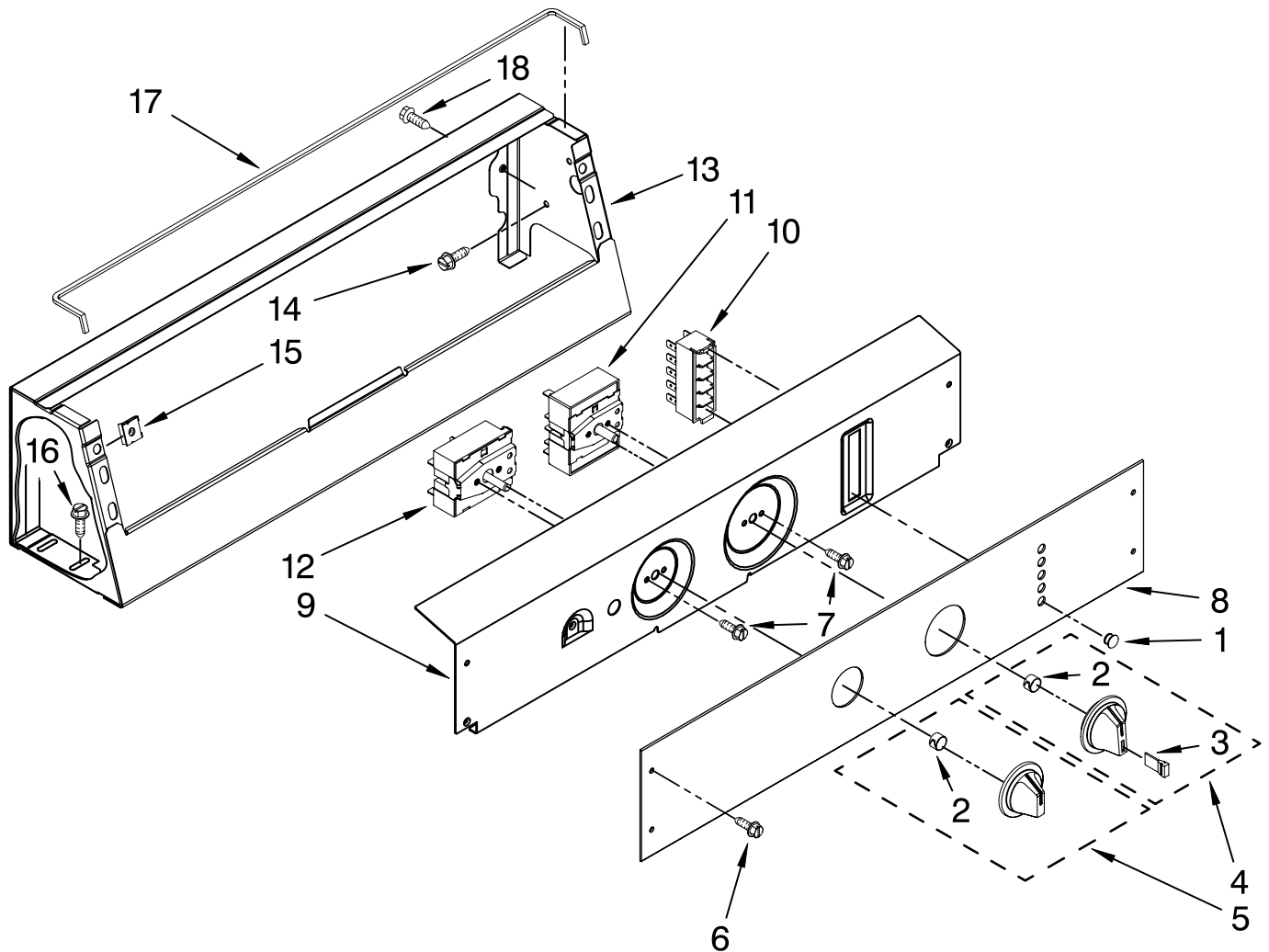
Illus. No.	Part No.	DESCRIPTION
1		Literature Parts Installation Instructions
	W10135298	English
	W10181265	Wiring Diagram
	W10135307	Repair Parts List
2	W10201073	Top
3	3353950	Spacer, Cabinet To Top (4)
4	3351614	Screw, 10-24 X 3/8
5	3358500	Panel, Front
6	62780	Clip, Top & Cabinet & Rear Panel (2)
7	90406	Cage Nut
8	W10180691	Shield, Lid Switch
9	18776	Lock (2)
10	3353949	Pin, Locator (2)
11	8318084	Switch, Lid
12	3976382	Panel L.H.
13	W10119828	Screw, Lid Hinge Mounting (4)
14	21097	Pad, Lid Hinge (2)
15	8559336	Hinge, Lid (L.H.)
16	54583	Hinge, Lid (R.H.)
17	19119	Bumper, Lid Hinge
18	21258	Bearing, Lid Hinge (2)
19	W10171146	Lid
20	3976380	Panel R.H.
21	3353812	Locator (4)
22	356908	Bumper, Lid
23	3400804	Screw (4)
24	3400077	Screw, 10-16 X 1/2
25	356907	Rivet, Plastic
26	3353993	Screw 10-16 X .690
27	W10004930	Clip, U-Bend (2)
28	8271956	Shield Assembly

FOR ORDERING INFORMATION REFER TO PARTS PRICE LIST

CONTROL PANEL PARTS

For Model: MAT14CSBGW0

(White)



Illus. No.	Part No.	DESCRIPTION
1	W10133502	Lens, Amber Indicator
2	W10140928	Clip, Knob
3	W10141516	Bumper, Lid
4	W10133503	Knob & Bumper Assembly
5	W10133504	Knob
6	W10131119	Screw, 8-18 X 1/2

Illus. No.	Part No.	DESCRIPTION
7	W10139100	Screw, 8-32 X 1/4
8	W10135341	Facia / Overlay
9	W10124209	Bracket, Control
10	W10133276	Indicator, Five Light
11	W10135589	Switch, Cycle Selector
12	W10135588	Switch, 2 Way Load Size

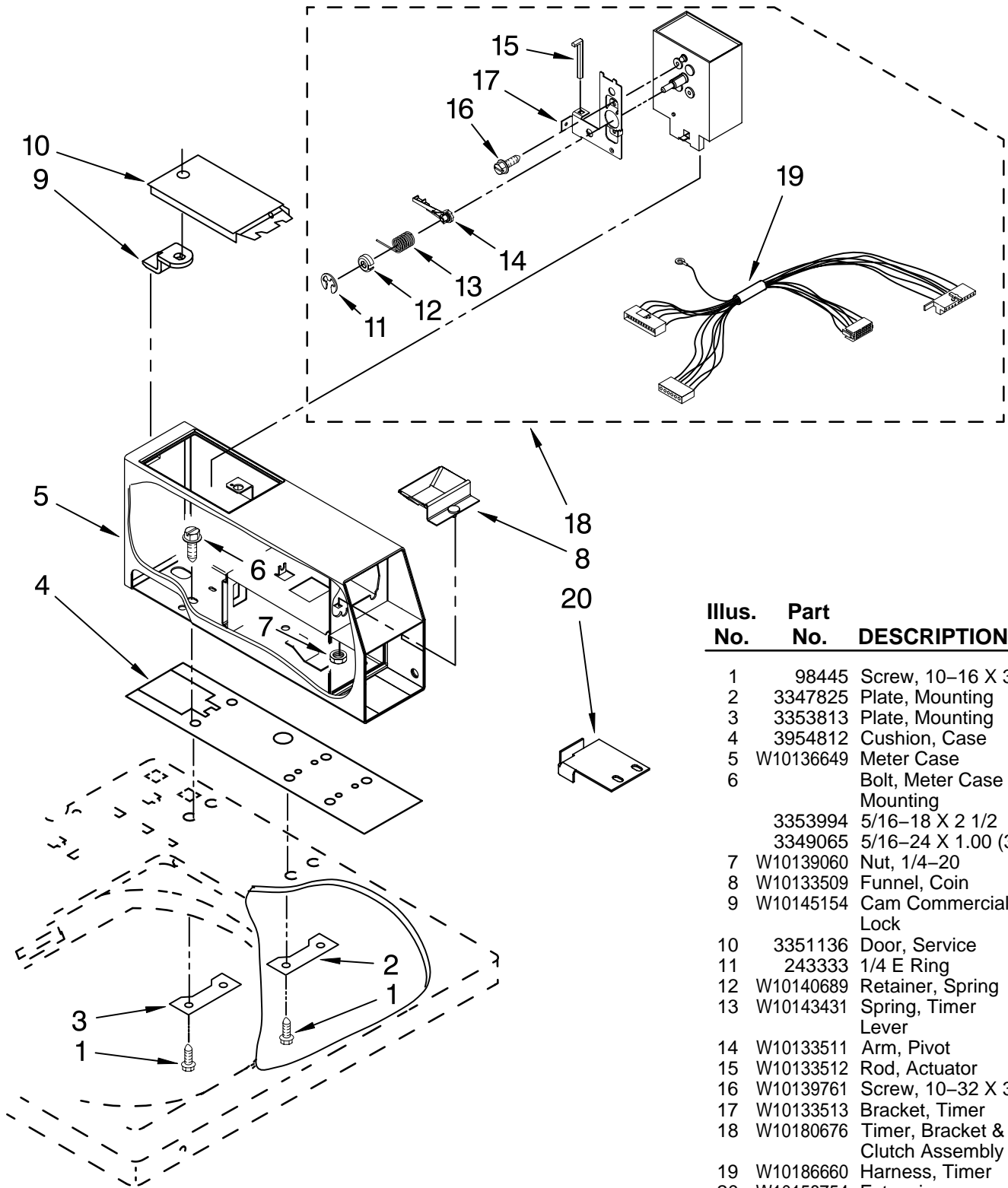
Illus. No.	Part No.	DESCRIPTION
13	W10205153	Console (Includes Item 17)
14	W10139210	Screw, 8-18 X 5/16
15	W10131123	Nut, #8 U Type
16	3390631	Screw, 10-16 X 3/8
17	W10157932	Foam Seal
18	489290	Screw, 8-18 X 1/2

FOR ORDERING INFORMATION REFER TO PARTS PRICE LIST

METER CASE PARTS

For Model: MAT14CSBGW0

(White)



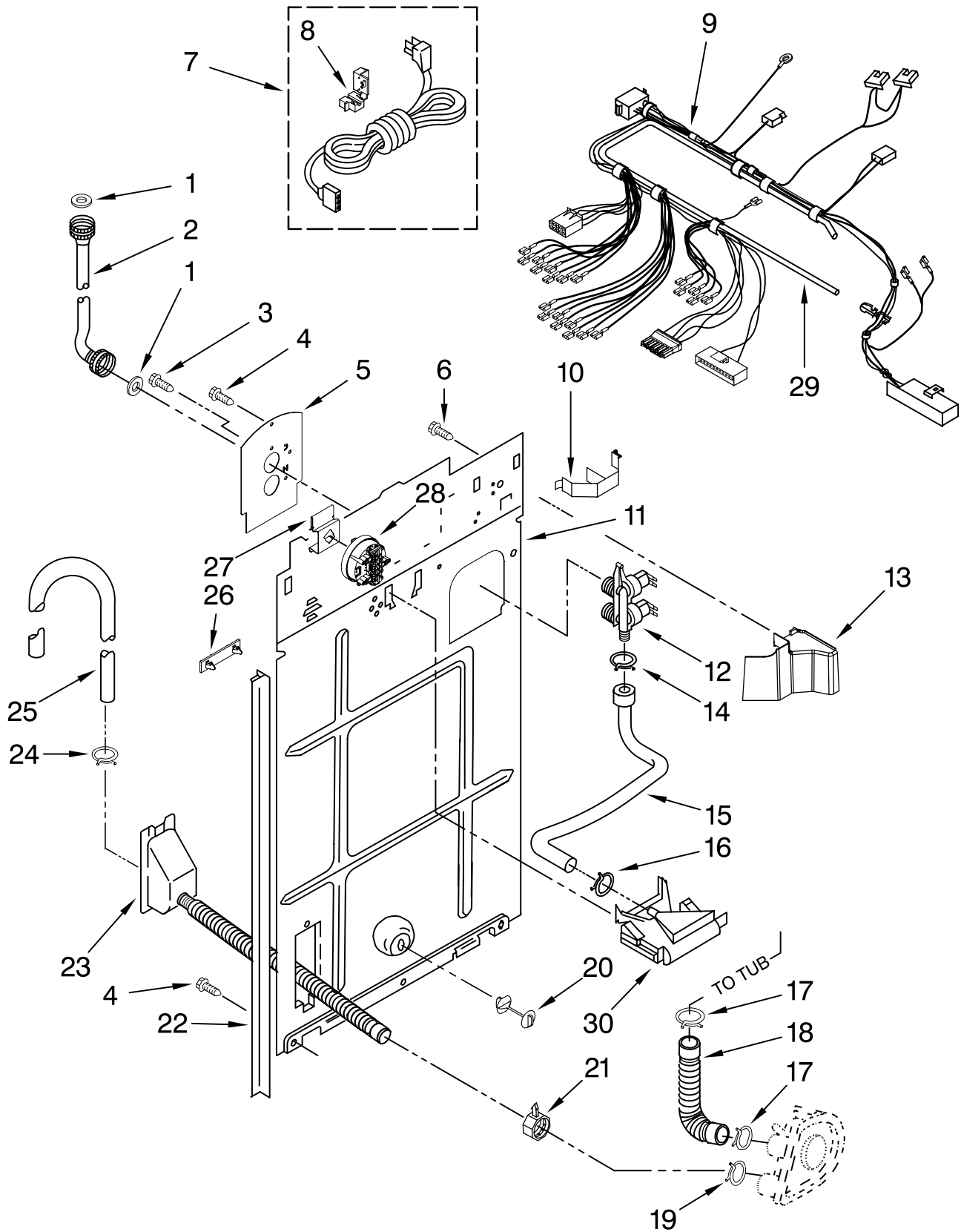
Illus. No.	Part No.	DESCRIPTION
1	98445	Screw, 10-16 X 3/4
2	3347825	Plate, Mounting
3	3353813	Plate, Mounting
4	3954812	Cushion, Case
5	W10136649	Meter Case
6		Bolt, Meter Case Mounting
	3353994	5/16-18 X 2 1/2
	3349065	5/16-24 X 1.00 (3)
7	W10139060	Nut, 1/4-20
8	W10133509	Funnel, Coin
9	W10145154	Cam Commercial Lock
10	3351136	Door, Service
11	243333	1/4 E Ring
12	W10140689	Retainer, Spring
13	W10143431	Spring, Timer Lever
14	W10133511	Arm, Pivot
15	W10133512	Rod, Actuator
16	W10139761	Screw, 10-32 X 3/8
17	W10133513	Bracket, Timer
18	W10180676	Timer, Bracket & Clutch Assembly
19	W10186660	Harness, Timer
20	W10158754	Extension

FOR ORDERING INFORMATION REFER TO PARTS PRICE LIST

REAR PANEL PARTS

For Model: MAT14CSBGW0

(White)



FOR ORDERING INFORMATION REFER TO PARTS PRICE LIST

REAR PANEL PARTS

For Model: MAT14CSBGW0

(White)

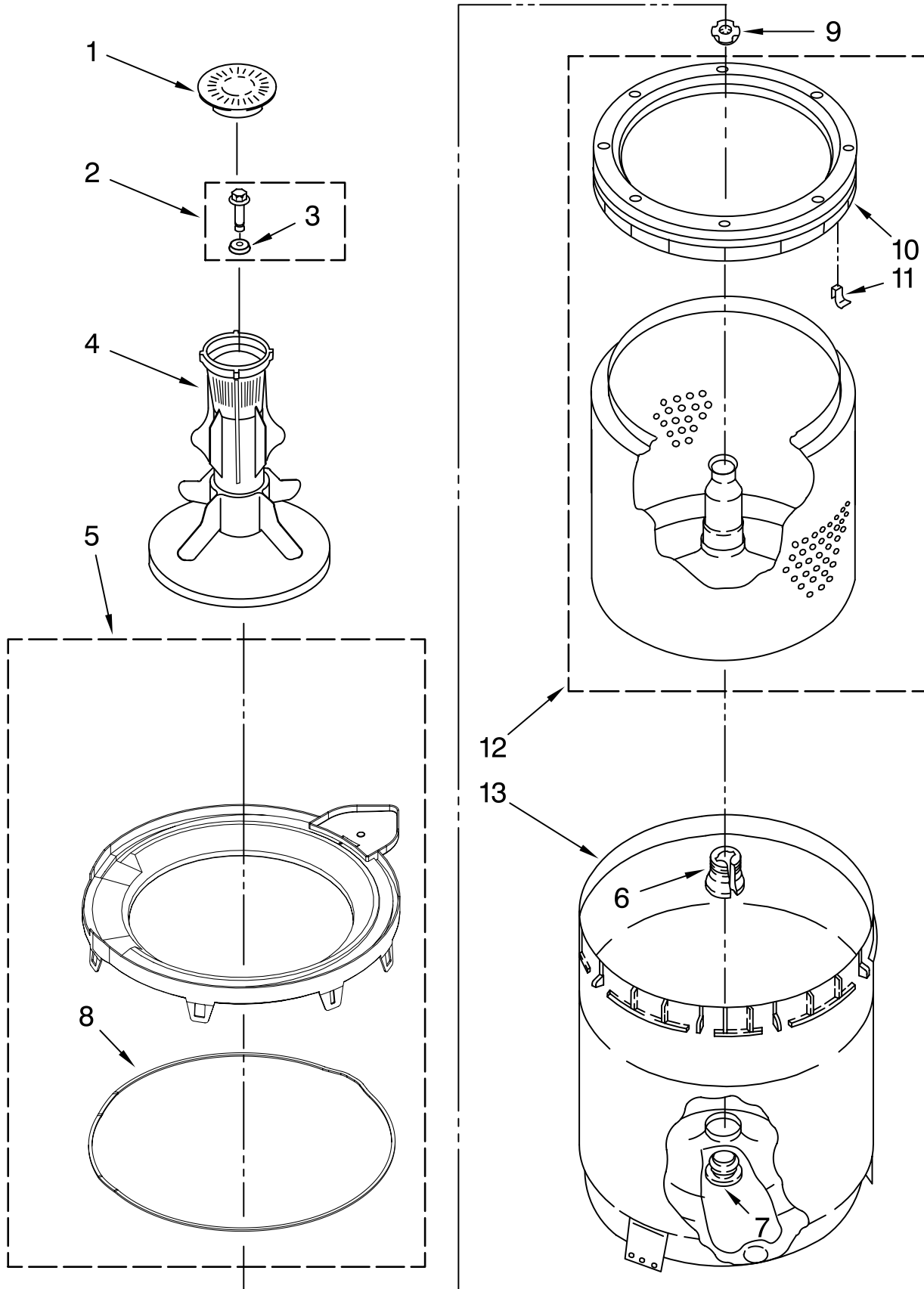
Illus. No.	Part No.	DESCRIPTION
1	3976300	Washer, Water Inlet Hose (4) (1-1/16 x 5/8)
2		Hose, Water Inlet (2)
	3949383	Blue Coupler
	3949382	Red Coupler
3	9740848	Screw, 8-18 X 1/2
4	62863	Screw, 10-16 X 3/8
5	8541624	Plate, Mixing Valve
6	3351614	Screw, 10-24 X 3/8
7	W10162486	Cord, Power (Parts Not Shown)
	W10153836	10A Cord Lock 10A Cord Adapters
	W10223804	Australian
	W10223809	European
	W10223807	British
8	8559337	Strain Relief, Power Cord To Rear Panel
9	W10186655	Harness, Wiring (For Detail See Pages 12 & 13)
10	8055003	Clip, Harness & Pressure Hose
11	8541649	Panel, Rear
12	3360397	Valve, Water Mixing
13	8314879	Shield, Inlet Valve
14	W10096851	Clamp, Hose
15	8541607	Hose, Vacuum Break
16	W10096852	Clamp, Hose
17	W10094820	Clamp, Hose
18	W10116973	Hose, Pump To Tub (Includes Item 17)
19	W10142630	Clamp, Hose
20	8519200	Support, Rear Panel
21	3976395	Clamp, Hose
22	3354204	Pad, Rear Panel
23	W10180690	Drain Hose Assy. (Includes Item 21)
24	3976395	Clamp, Hose
25	W10141216	Hose, Discharge Gooseneck
26	389379	Retainer, Side To Feature Panel (2)
27	W10133269	Bracket, Pressure Switch
28	W10153112	Pressure Switch Triple-Level
29	W10167585	Hose, Pressure Switch
30	3347034	Break, Vacuum

FOR ORDERING INFORMATION REFER TO PARTS PRICE LIST

AGITATOR, BASKET AND TUB PARTS

For Model: MAT14CSBGW0

(White)



FOR ORDERING INFORMATION REFER TO PARTS PRICE LIST

AGITATOR, BASKET AND TUB PARTS

For Model: MAT14CSBGW0

(White)

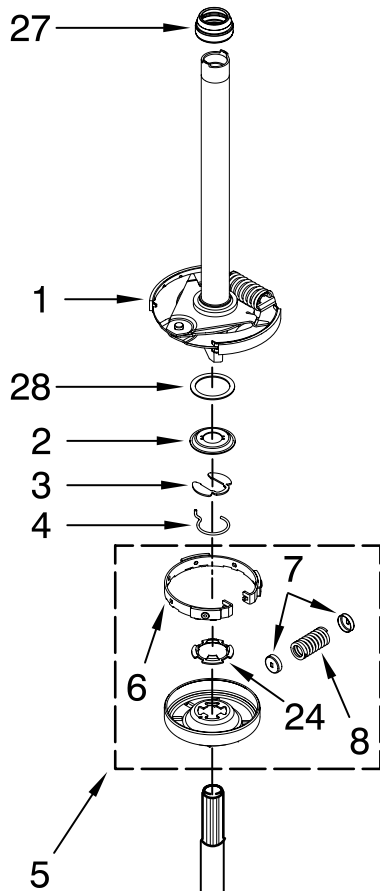
Illus. No.	Part No.	DESCRIPTION
1	W10131111	Cap, Agitator
2	W10003790	Screw & Washer Assembly
3	3949550	Washer
4	W10131112	Agitator
5	3360611	Tub Ring
6	389140	Block, Drive
7	383727	Gasket, Centerpost
8	3359586	Gasket, Tub Ring
9	21366	Nut, Spanner
10	3956205	Balance Ring (Includes Item 11)
11	8519815	Clip, Balance Ring (8)
12	8545860	Basket & Balance Ring
13	W10135424	Tub

FOR ORDERING INFORMATION REFER TO PARTS PRICE LIST

BRAKE, CLUTCH, GEARCASE, MOTOR AND PUMP PARTS

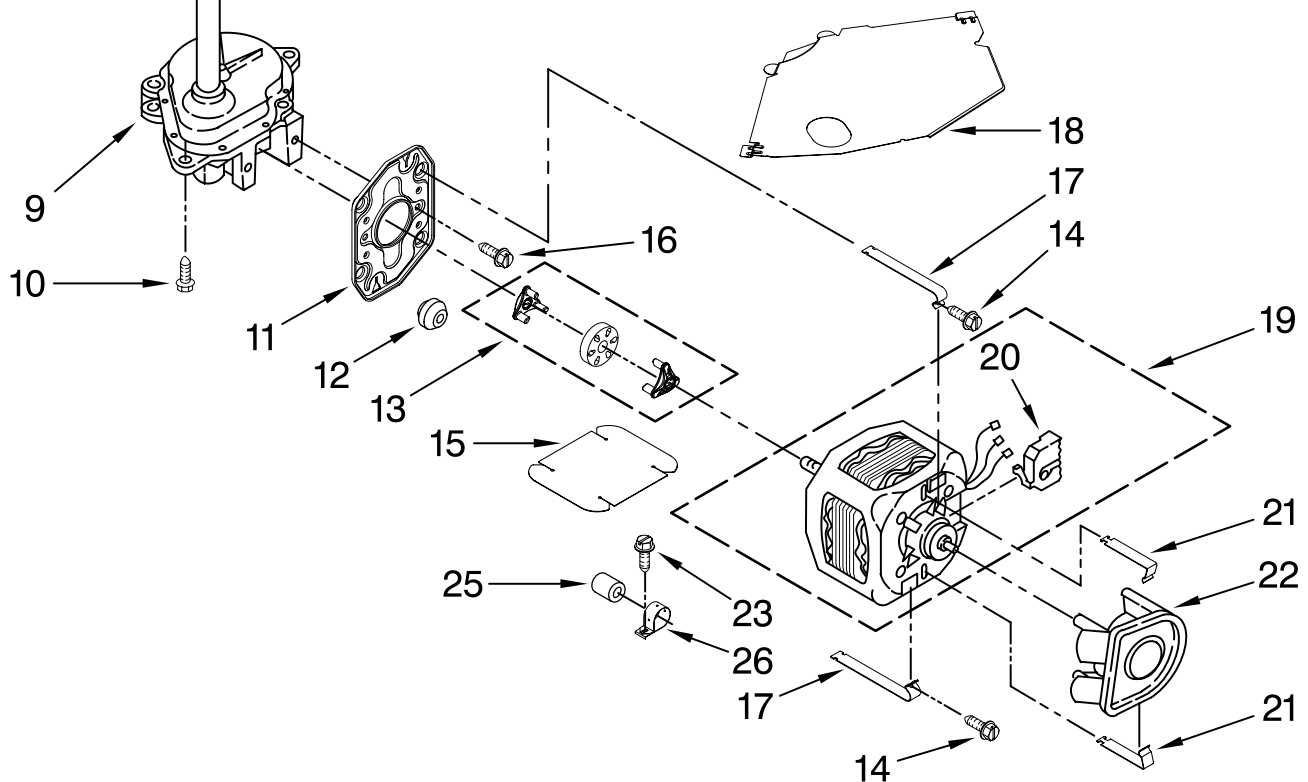
For Model: MAT14CSBGW0

(White)



Illus. No.	Part No.	DESCRIPTION
1	W10180686	Brake & Drive Tube (Complete) (Refer to Page 14 For Further Breakdown)
2	63292	Washer, Spin Tube Thrust
3	W10080230	Ring, Spin Tube Support
4	63283	Ring, Retainer
5	W10135399	Clutch (Complete)
6	W10118761	Band & Lining Assembly
7	62646	Cap, Clutch Spring (2)
8	8559387	Spring & Damper Assembly
9	W10140302	Gearcase (Complete) (Refer To Page 15 For Further Breakdown)
10	3357334	Screw, Gearcase To Base (3)
11	62611	Plate, Motor Mount To Gearcase

Illus. No.	Part No.	DESCRIPTION
12	62691	Grommet, Motor (4)
13	3978849	Coupling, Motor And Isolation
14	3387485	Screw #10-16 x 5/8
15	8316060	Shield, Motor
16	3400516	Screw
17	W10086010	Retainer, Motor (2)
18	3362089	Shield, Tub To Motor
19	3950297	Motor, Main Drive
	3354569	Sleeve (Part Not Shown)
20	3952056	Switch, Main Drive Motor
21	8546127	Retainer, Pump (2)
22	3363394	Pump (Complete)
23	62863	Screw, 10-16 x 3/8
24	3355454	Clip, Anti-Rattle
25	8572719	Capacitor
26	W10083210	Clamp, Capacitor
27	8577374	Seal
28	8578981	Washer, Thrust

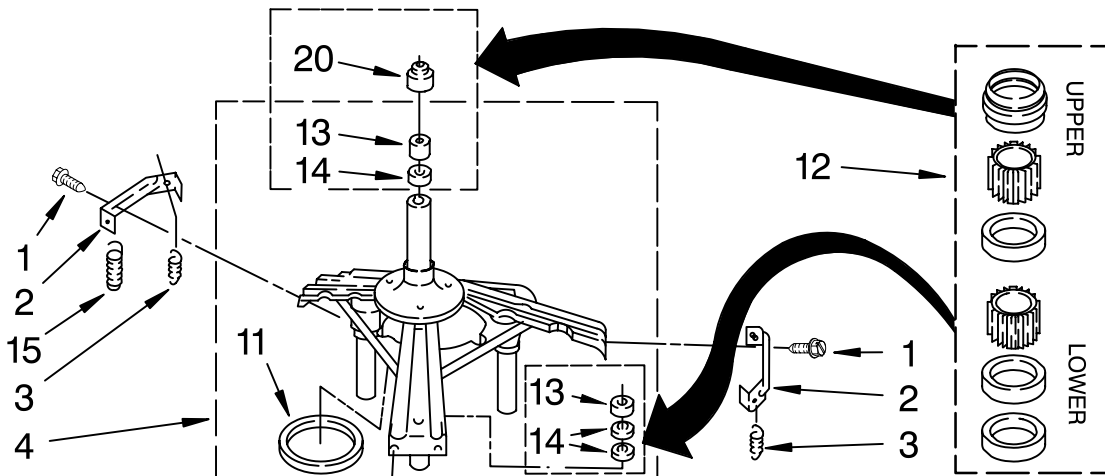


FOR ORDERING INFORMATION REFER TO PARTS PRICE LIST

MACHINE BASE PARTS

For Model: MAT14CSBGW0

(White)



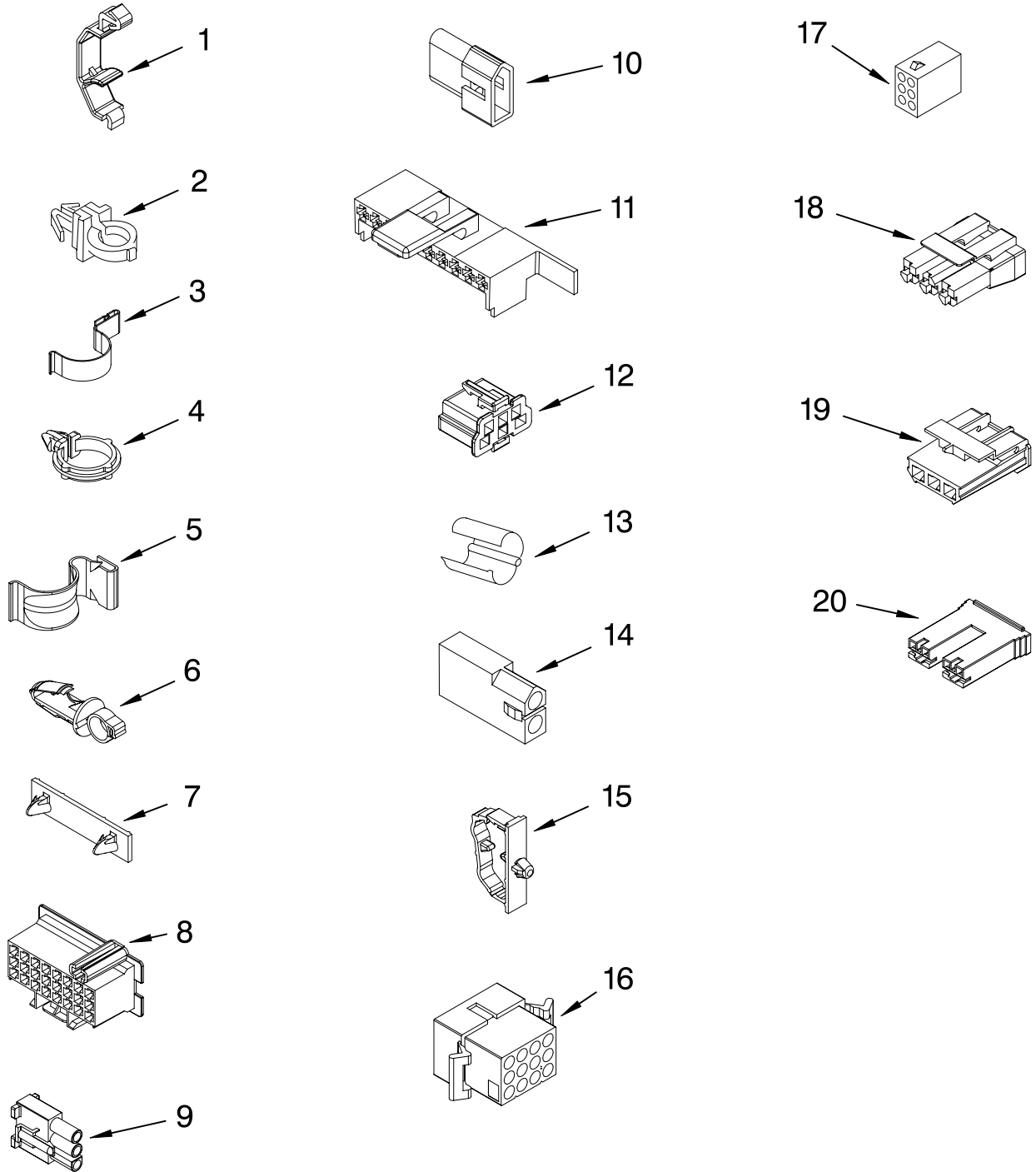
Illus. No.	Part No.	DESCRIPTION
1	3400076	Screw, Bracket Mounting (10-32 x 5/8)
2	64067	Bracket, Spring Outer (2)
3	63907	Spring, Suspension (3)
4	W10135419	Tub & Brake Support
5	64065	Bracket, Spring Outer (L.F.)
6	63466	Link, Leveling Mechanism (2)
7	62597	Spring, Leveling Mechanism
8	62837	Pin, Knurled
9	62596	Foot, Rear (2)
10	W10145155	Retainer, Suspension Spring
11	63134	Ring, Sound Deadening
12	285203	Centerpost Bearing Kit (Includes Items 13, 14 & 20)
13	8546455	Bearing, Centerpost
14	357409	Seal, Centerpost
15	388492	Spring, Counterweight
16	62568	Pad, Plate
17	3946509	Plate, Suspension (Includes Item 16)
18	3363660	Pad, Base
19	W10116943	Base Assembly (Includes Items 6, 7, 8, 9, 10 & 18)
20	8577376	Seal, Centerpost
21	3359452	Nut, Lock (3/8-16)
22	W10001130	Foot, Front (2)

FOR ORDERING INFORMATION REFER TO PARTS PRICE LIST

WIRING HARNESS PARTS

For Model: MAT14CSBGW0

(White)



WH2J

FOR ORDERING INFORMATION REFER TO PARTS PRICE LIST

WIRING HARNESS PARTS

For Model: MAT14CSBGW0

(White)

Illus. No.	Part No.	DESCRIPTION	Illus. No.	Part No.	DESCRIPTION	Illus. No.	Part No.	DESCRIPTION
1	3349557	Retainer, Harness	9	62889	Receptacle, Terminal	16	3390423	Block, Disconnect (12-Way)
2	388498	Clip, Harness			(3-Way)	17	3347730	Receptacle (6-Way)
3	3347812	Clip, Harness	10	353424	Plug, Terminal (3-Way)	18	3948617	Connector (T.P.A.) (3-Circuit)
4	3352501	Clip, Harness (Push-In)	11	62505	Block, Disconnect (Motor 2 Speed)	19	3360056	Plug (T.P.A.) (3-Circuit)
5	90016	Clip, Harness (Half-Harness)	12	3347243	Block, Disconnect	20		Block, Connector
6	3390496	Clip, Harness	13	63523	Protector		3354925	Natural
7	389379	Retainer, Harness	14	717252	Connector (2-Way)		3354926	Red
8		Timer, Block Disconnect	15	3352944	Clip, Harness			
	3948614	Natural						
	352089	Black						

**FOR COMPLETE WIRING HARNESS REFER TO
CONTROL AND REAR PANEL PARTS PAGE**

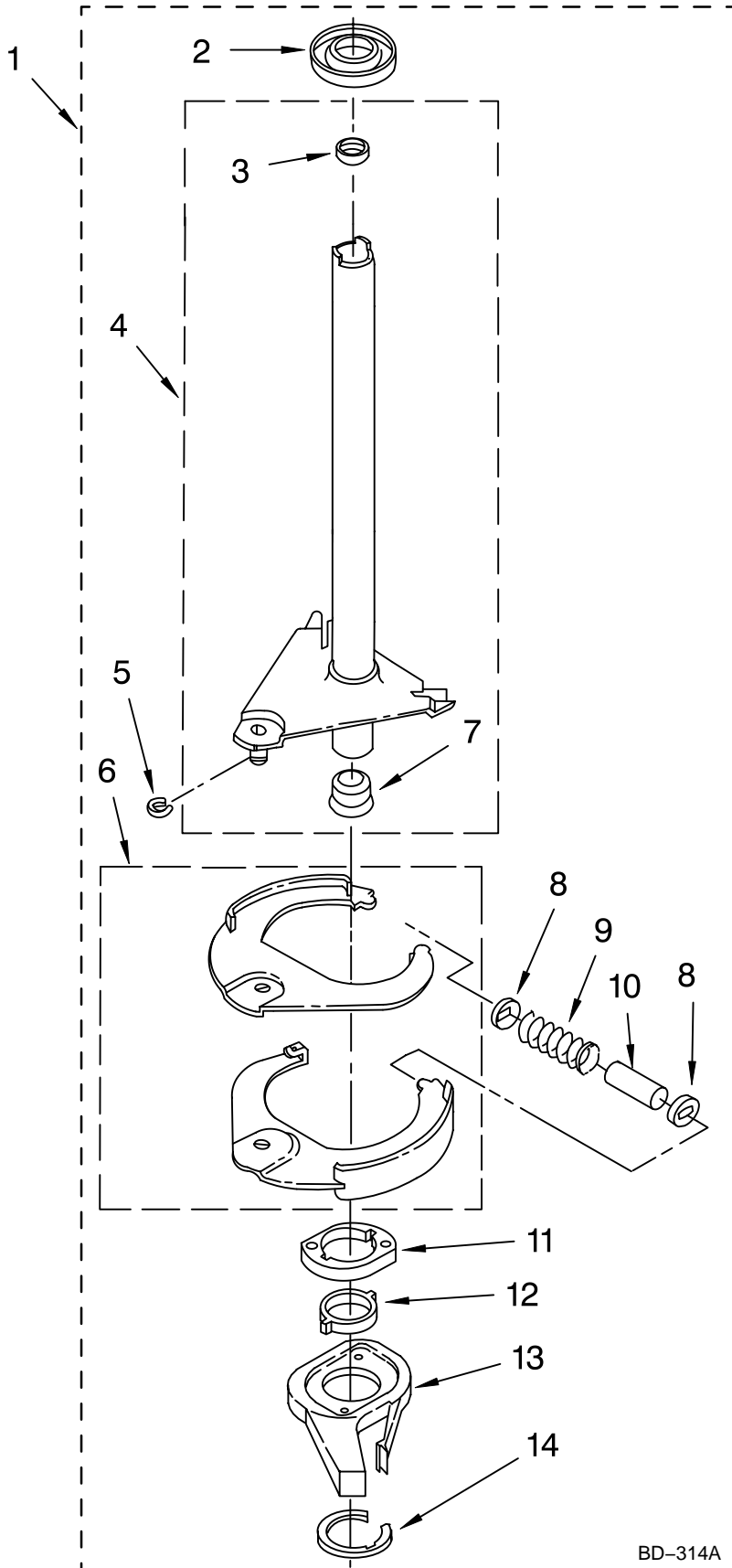
WH2J

FOR ORDERING INFORMATION REFER TO PARTS PRICE LIST

BRAKE AND DRIVE TUBE PARTS

For Model: MAT14CSBGW0

(White)



Illus. No.	Part No.	DESCRIPTION
1	388951	Brake And Drive Tube (Complete)
2	62658	Ring, Thrust
3	356427	Seal, Drive Tube
4	64027	Tube, Basket Drive (Includes Illus. 3, 4, 5 & 9)
5	64035	Ring, Retaining
6	64232	Shoe, Brake (2)
7	62703	"T" Bearing, Spin Tube
8	3353956	Cap, Brake Spring (2)
9	62647	Spring, Brake
10	3355360	Sleeve, Brake Spring
11	661516	Cam, Brake Release
12	63022	Sleeve, Cam
13	64194	Driver, Brake Cam
14	90368	Ring, Retaining

FOLLOWING PARTS NOT ILLUSTRATED

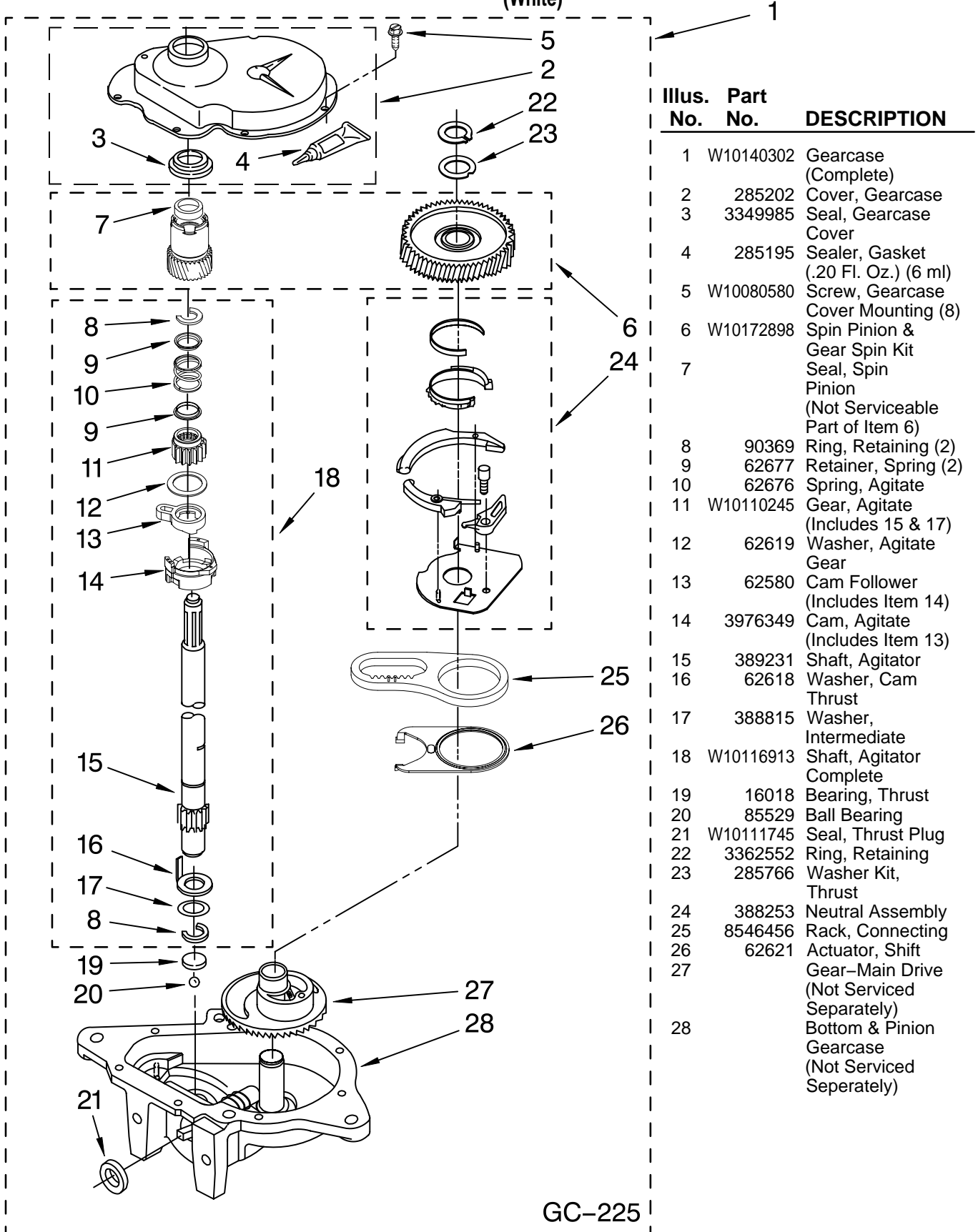
285208 Lubricant
(Use Only In Brake Shoe Assembly On Roller & Pin)

FOR ORDERING INFORMATION REFER TO PARTS PRICE LIST

GEARCASE PARTS

For Model: MAT14CSBGW0

(White)



Illus. No.	Part No.	DESCRIPTION
1	W10140302	Gearcase (Complete)
2	285202	Cover, Gearcase
3	3349985	Seal, Gearcase Cover
4	285195	Sealer, Gasket (.20 Fl. Oz.) (6 ml)
5	W10080580	Screw, Gearcase Cover Mounting (8)
6	W10172898	Spin Pinion & Gear Spin Kit
7		Seal, Spin Pinion (Not Serviceable Part of Item 6)
8	90369	Ring, Retaining (2)
9	62677	Retainer, Spring (2)
10	62676	Spring, Agitate
11	W10110245	Gear, Agitate (Includes 15 & 17)
12	62619	Washer, Agitate Gear
13	62580	Cam Follower (Includes Item 14)
14	3976349	Cam, Agitate (Includes Item 13)
15	389231	Shaft, Agitator
16	62618	Washer, Cam Thrust
17	388815	Washer, Intermediate
18	W10116913	Shaft, Agitator Complete
19	16018	Bearing, Thrust
20	85529	Ball Bearing
21	W10111745	Seal, Thrust Plug
22	3362552	Ring, Retaining
23	285766	Washer Kit, Thrust
24	388253	Neutral Assembly
25	8546456	Rack, Connecting
26	62621	Actuator, Shift
27		Gear—Main Drive (Not Serviced Separately)
28		Bottom & Pinion Gearcase (Not Serviced Separately)

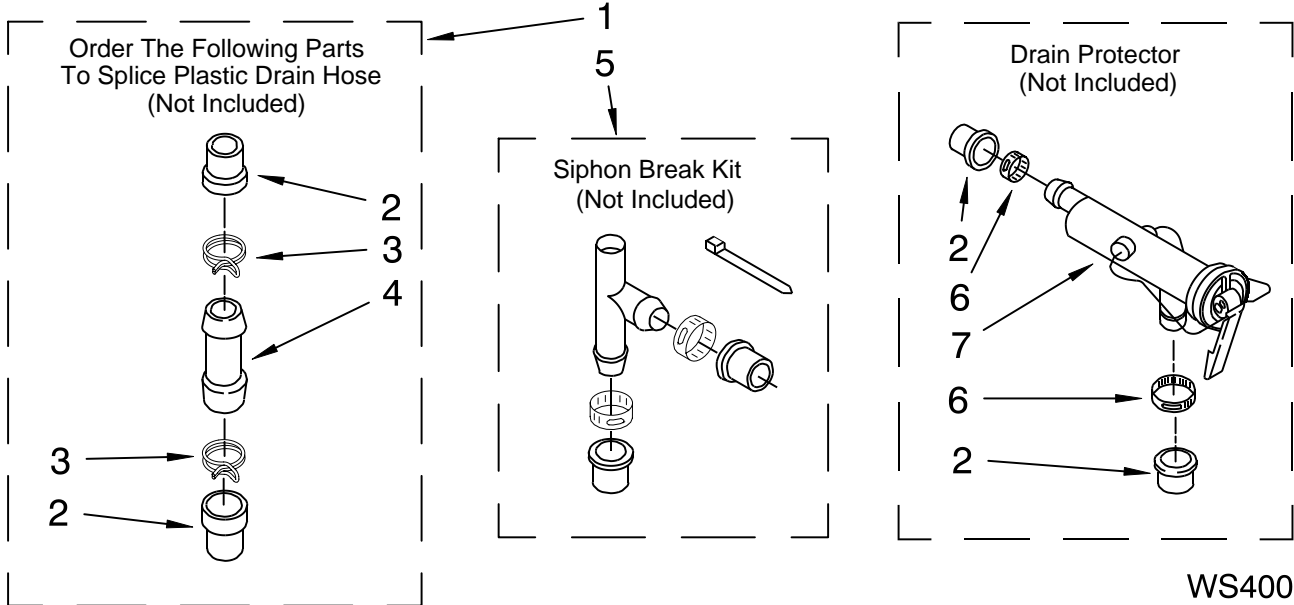
GC-225

FOR ORDERING INFORMATION REFER TO PARTS PRICE LIST

WATER SYSTEM PARTS

For Model: MAT14CSBGW0

(White)



Illus. No.	Part No.	DESCRIPTION
1	285442	Connector Kit, Plastic Drain Hose
2	285321	Sleeve Kit, (Contains 2 Sleeves)
3	370447	Clamp, Hose
4	16272	Connector, Straight
5	285320	Siphon Break Kit (Not Included)
6	65349	Clamp, Hose
7	367031	Drain Protector (Not Included)

FOR ORDERING INFORMATION REFER TO PARTS PRICE LIST

OPTIONAL PARTS (NOT INCLUDED)

For Model: MAT14CSBGW0

(White)

<u>Illus. No.</u>	<u>Part No.</u>	<u>DESCRIPTION</u>
-------------------	-----------------	--------------------

PAINT, TOUCH-UP (1/2oz.)

72017 White

PAINT, PRESSURIZED SPRAY (12 oz.)

350938 Primer, Gray
350930 White

PAINT, BULK (1 qt.)

799344 White (Uncut)

OIL

350572 Oil, Gearcase
(16 Oz.)

LUBRICANT

285208 Lubricant (Use
Only in Brake
Shoe Assembly
On Roller and
Pin)
389236 Lubricant,
Agitator Spline

SEALER

285195 Sealer, Gasket
(.20 Fl. Oz.) (6 ml)