

WASHER

Repair Parts List

MODEL NUMBER

MFS25PNFTS

When requesting service or ordering parts, always provide the following information:

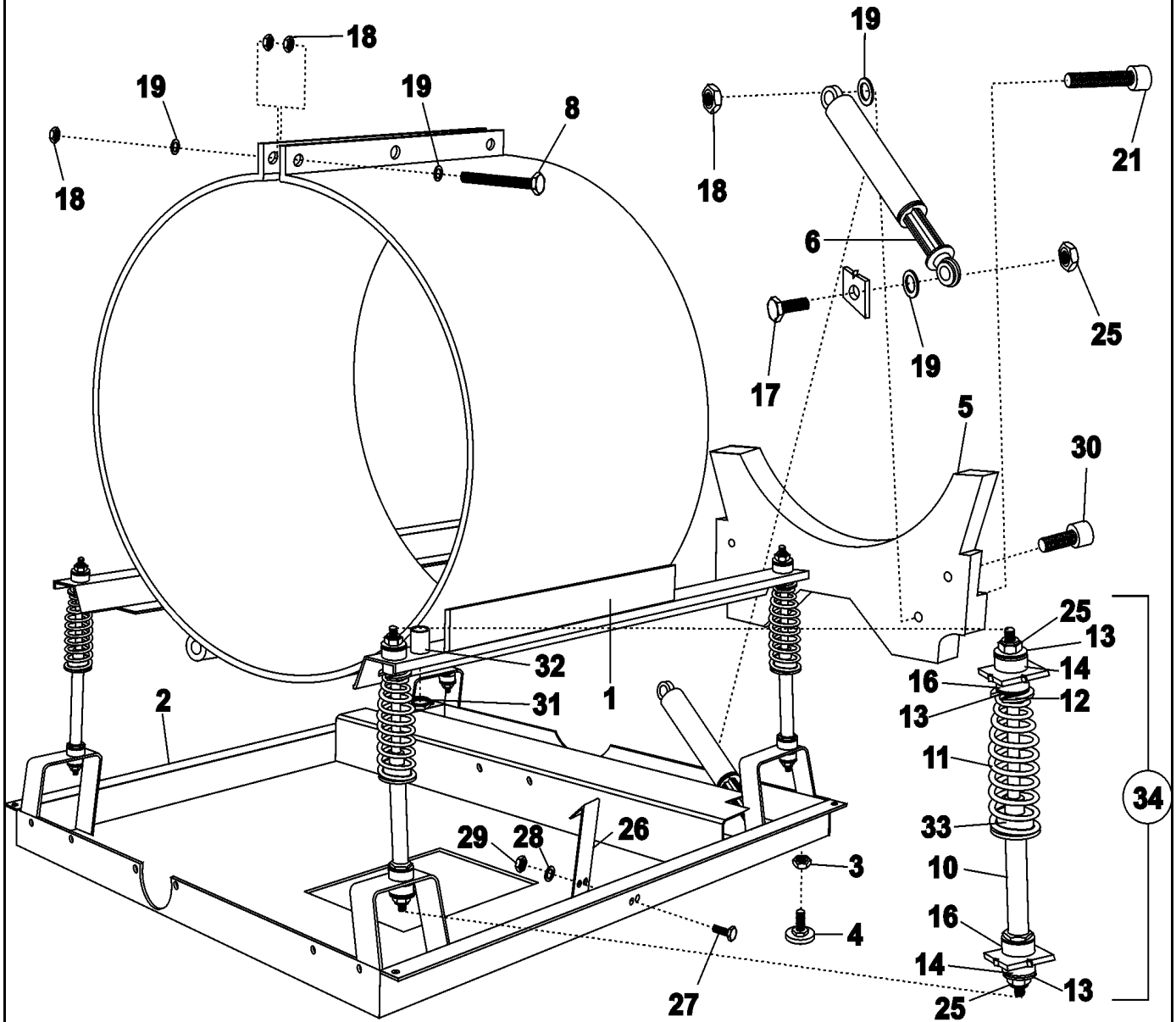
- Product Type
- Part Number
- Model Number
- Part Description

MAYTAG®

©2005 Maytag Services

Section: FRAME

Model: MFS25PNFTS



01-Jul-03
504 743A

CW19-53

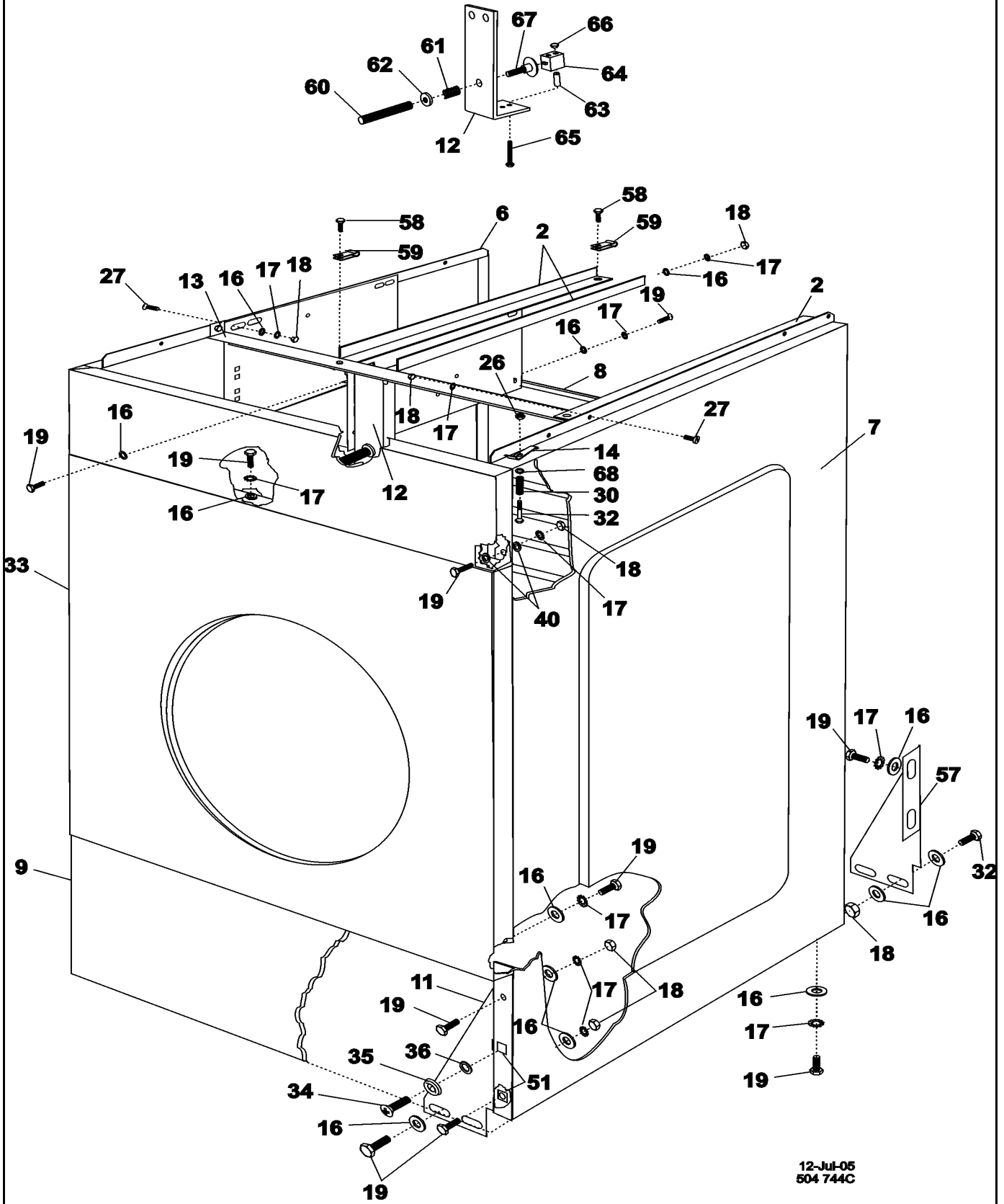
Section: FRAME

No.	Part No.	Description	Series	Qty
1	23004462	DRUM-MOTOR SUPPORT 25#	10	1
2	23004463	FRAME 25#	10	1
3	23003764	NUT M10	10	1
4	23003458	LEG	10	1
5	23004464	COUNTERWEIGHT	10	1
6	23002983	DAMPER (RD 12-2)	10	1
8	23002351	SCREW (M10X80)	10	1
10	23003451	LEG, SPRING	10	1
11	23003453	SPRING (YELLOW)	10	1
11	23003457	SPRING (RED)	10	1
12	23003454	HOLDER, SPRING (UPR) LU	10	1
13	23003455	WASHER	10	1
14	23003456	RUBBER (BLK-UPR)	10	1
16	23003459	RUBBER (BLK-LWR) LU	10	1
17	23003285	BOLT (M10X50)	10	1
18	23003764	NUT M10	10	1
19	23003788	WASHER	10	1
21	23004465	BOLT M10X120	10	1
25	23002356	NUT (M10)	10	1
26	23004466	SUPPORT, HOSE	10	1
27	23002461	SCREW (M6 X16)	10	1
28	23003778	WASHER 12	10	1
29	23003773	NUT M6	10	1
30	23004467	BOLT M12X90	10	1
31	23002212	NUT	10	1
32 N	23002917	SWIVEL	10	1
33	23003465	HOLDER, SPRING (LWR)	10	1
34	23004373	SHOCK ABSORBER COMPLETE	10	1

*Color Code (-)=Not Shown #=Series, Serial Prefix or Run No., N=Not Available

Section: CABINET

Model: MFS25PNFTS



CW12-61

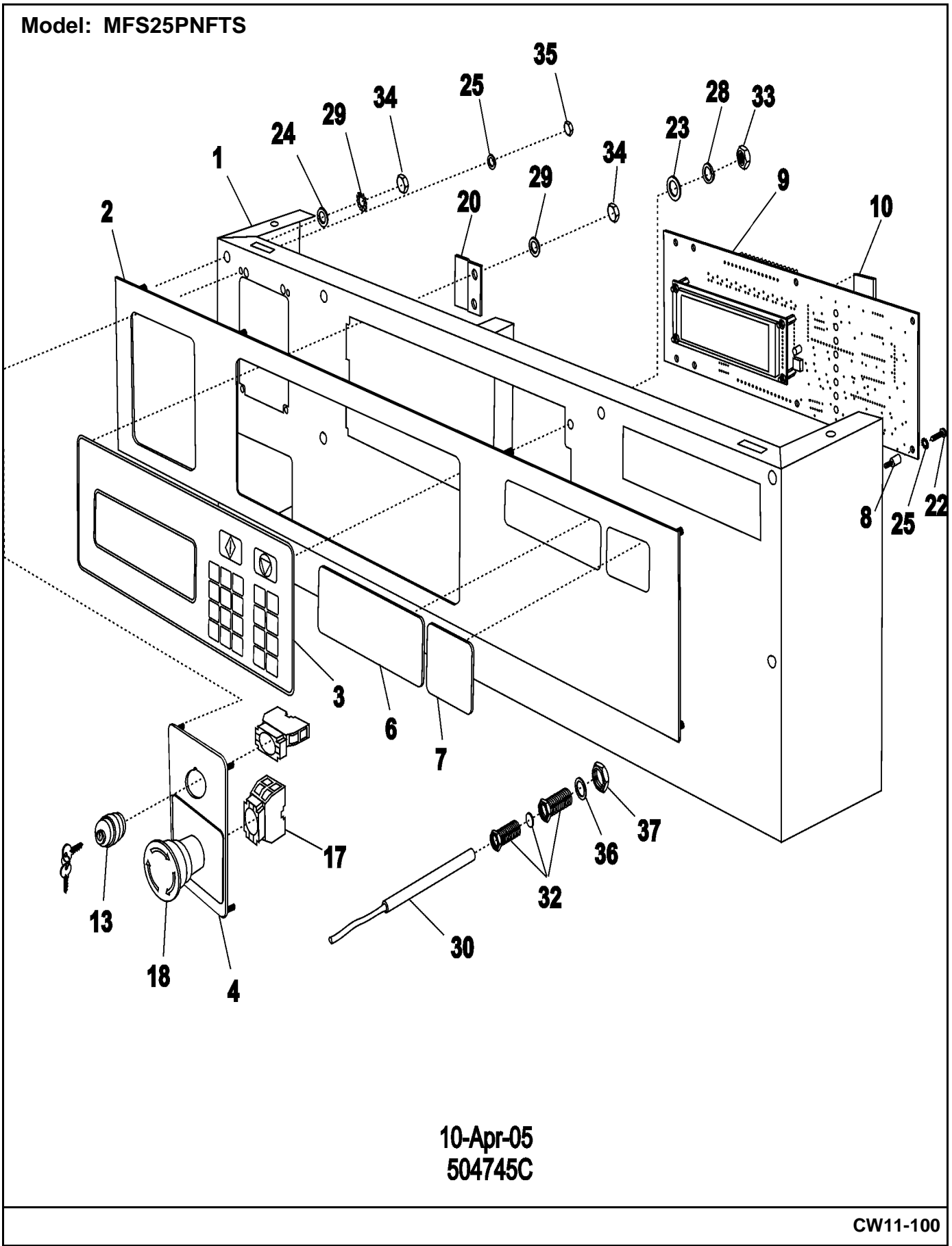
Section: CABINET

No.	Part No.	Description	Series	Qty
2	23004469	SUPPORT, ELEC DEVICES	10	1
6	23004470	PANEL LH, 25LB	10	1
7	23004471	PANEL RH, 25LB	10	1
8	23004472	PANEL, REAR 25LB	10	1
9	23004473	PANEL, SERVICE 25LB	10	1
11	23004474	CABINET HOLDER-FRONT	10	1
12	23004475	PLATE, BALANCE	10	1
13	23004476	REINFORCEMENT, CABINET	10	1
14	23001442	COVER, HOOK	10	1
16	23002469	WASHER	10	1
17	23002756	WASHER	10	1
18	23003773	NUT M6	10	1
19	23002461	SCREW (M6 X16)	10	1
26	23002471	NUT	10	1
27	N 23003301	BOLT (M6X16)	10	1
30	23001445	COVER, SPRING	10	1
32	23002463	SCREW (M6 X 30)	10	1
33	23004477	PANEL, FRONT 25LB	10	1
34	23002456	SCREW (M6 X 50)	10	1
35	23002457	WASHER	10	1
36	23002458	WASHER (FIBER)	10	1
40	23003778	WASHER 12	10	1
51	23002455	NUT, RAPID (M6)	10	1
57	23004479	BRACKET, BACK RH	10	1
57	23004478	BRACKET, BACK LH	10	1
58	23004480	SCREW ST4, 8X13	10	1
59	23004481	SPEEDNUT	10	1
60	23003901	SPRING	10	1
61	23003900	SPRING	10	1
62	23002504	WASHER	10	1
63	23003902	SPACER	10	1
64	23003899	MICRO SWITCH	10	1
65	23002906	SCREW (M3X25)	10	1
66	23002958	NUT (M3)	10	1
67	23003904	SPRING HOLDER TILT SWITCH	10	1
68	23001027	WASHER (DIA. 12 X 6.5 X 1.6)	10	1

*Color Code (-)=Not Shown #=Series, Serial Prefix or Run No., N=Not Available

Section: CONTROL PANEL

Model: MFS25PNFTS



10-Apr-05
504745C

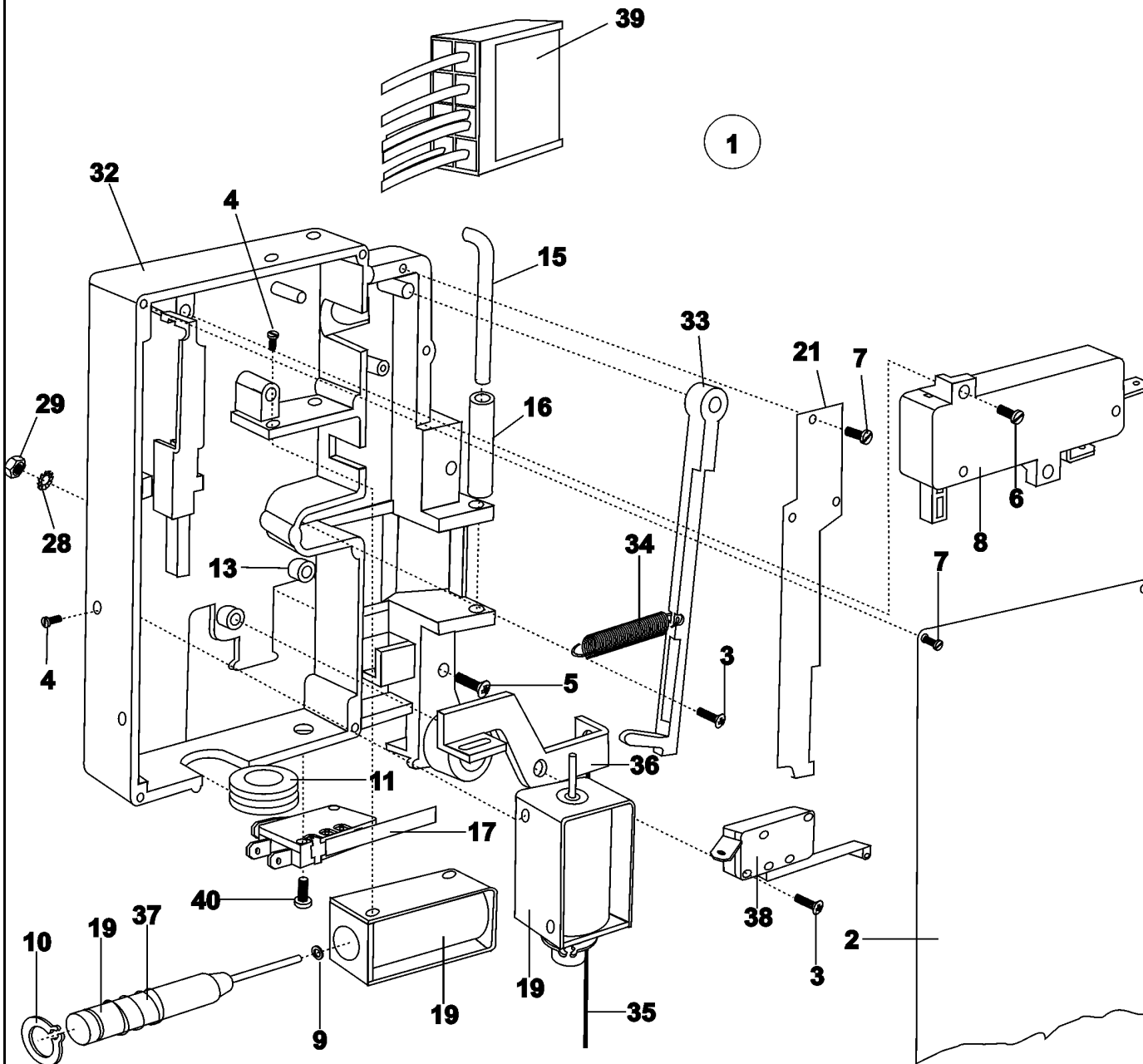
Section: CONTROL PANEL

No.	Part No.	Description	Series	Qty
1	23004482	BRACKET, CONTROL PANEL	10	1
2	23004483	PANEL, FACIA	10	1
3	23004133	KEY BOARD, FULL CONTROL	10	1
4	23004389	PLATE, INSERT	10	1
6	23004390	LOGO, LABEL	10	1
7	23004484	INSERT LABEL	10	1
8	23004134	SPACER M3XM5X3	10	1
9	23003991	MCG CONTROLLER	10	1
10	23003992	MCG EEPROM CHIP LU	10	1
13	23001082	BLOCK, PROGRAMMING KEY	10	1
17	23004137	CONTACT BLOCK	10	1
18	23004136	STOP BUTTON EMERGENCY	10	1
20	23003871	BRACKET, Z	10	1
22	23002869	SCREW (M3X6)	10	1
23	23002862	WASHER (5,3)	10	1
24	23002504	WASHER	10	1
25	23002865	LOCK WASHER (M3)	10	1
28	23002465	WASHER, LOCK	10	1
29	23002950	LOCKWASHER (M4)	10	1
30	23003831	SENSOR, TEMPERATURE	10	1
32	23003807	HOLDER THERMOSTAT SENSOR	10	1
33	23002452	NUT (M4) LU	10	1
34	23003666	NUT (M4)	10	1
35	23002958	NUT (M3)	10	1
36	23002179	WASHER	10	1
37	23002936	NUT, SENSOR BUSHING	10	1

*Color Code (-)=Not Shown #=Series, Serial Prefix or Run No., N=Not Available

Section: DOOR LOCK

Model: MFS25PNFTS



18-Feb-00
504 751

CW10-85

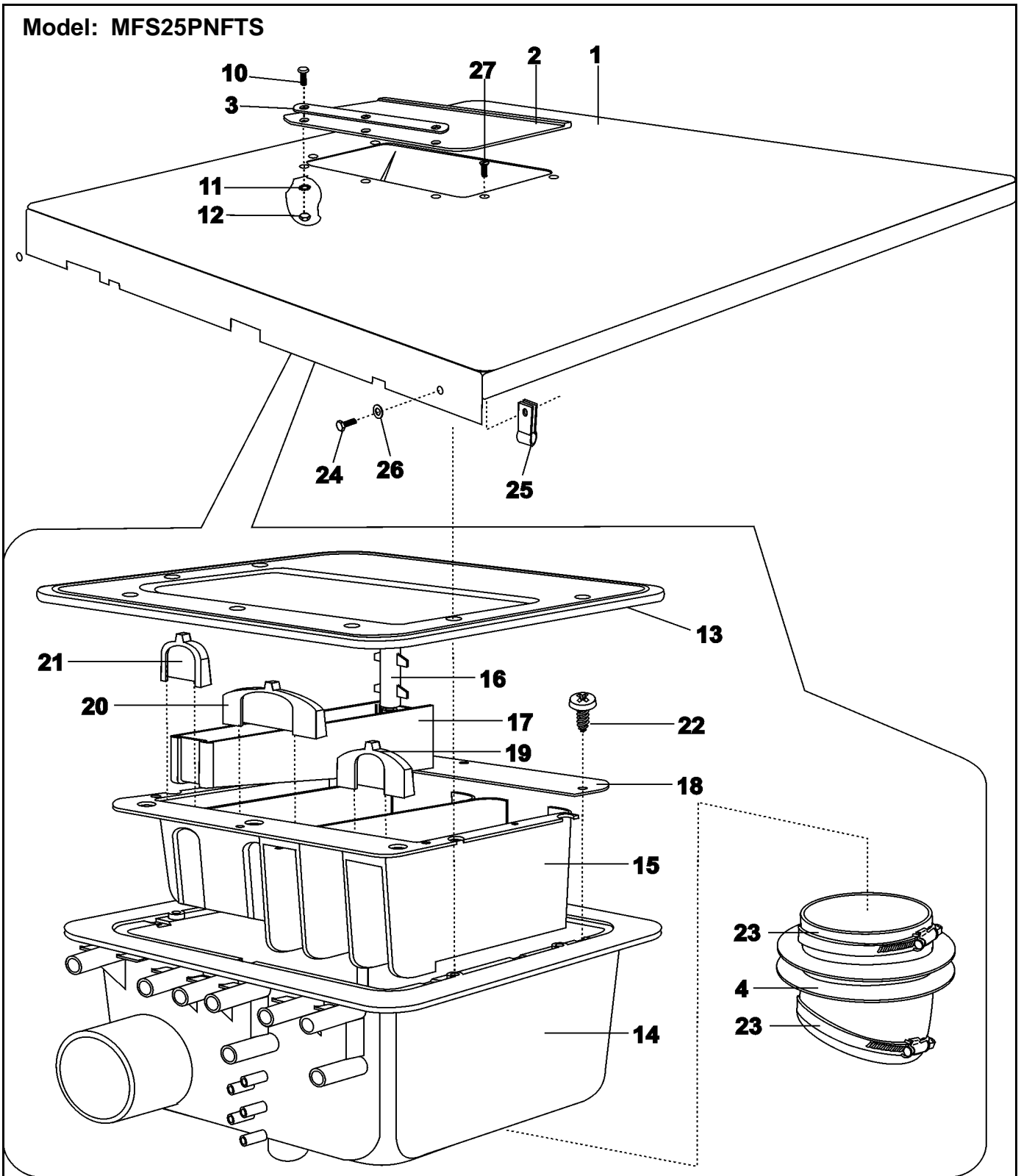
Section: DOOR LOCK

No.	Part No.	Description	Series	Qty
1	Y23002897	LOCK, DOOR (COMPLETE)	10	1
2	23001130	PLATE, COVER (STNLS STEEL)	10	1
3	23003115	SCREW (M3X14)	10	1
4	23002869	SCREW (M3X6)	10	1
5	23003784	BOLT M5X25 STS STL	10	1
6	23003114	SCREW (M4X8) LU	10	1
7	23003113	SCREW (M3X6)	10	1
8	23001135	BIMETAL, ACTUATOR (230V)	10	1
9	23001136	WASHER (DIA. 5.1 X 3.3 X 0.1)	10	1
10	23001137	RING, RETAINING (G10)	10	1
11	23001138	BUSHING, CABLE PASSAGE	10	1
13	23001140	BAR, LOCKING	10	1
15	23001142	RETAINER, LOCK TUBE (DIA.4X45)	10	1
16	23001143	LOCK TUBE (DIA. 4X23.5 STNLS)	10	1
17	23001145	MICROSWITCH, LONG LEVER	10	1
19	23001146	COIL (240V)	10	1
21	23001149	LEAF SPRING, LATCH BAR	10	1
28	23004485	WASHER, TEETH	10	1
29	23004486	NUT M5	10	1
32	Y23002898	GROUND, PLATE LOCK	10	1
33	23002899	HANDLE, LOCKING PART	10	1
34	23002900	SPRING, LOCKING PART	10	1
35	23002901	CORD, OPENING	10	1
36 N	23002902	LEVEL, OPENING	10	1
37	23002903	SPRING, LOCKING PART	10	1
38	23002337	MICROSWITCH W/ ROLLER ARM	10	1
39	23002905	WIRING, DOOR LOCK	10	1
40	23003115	SCREW (M3X14)	10	1
-	23003863	PLATE, MICROSWITCH	10	1

*Color Code (-)=Not Shown #=Series, Serial Prefix or Run No., N=Not Available

Section: SOAP HOPPER AND TOP PANEL

Model: MFS25PNFTS



18-Feb-00
504 748

CW16-35

Section: SOAP HOPPER AND TOP PANEL

No.	Part No.	Description	Series	Qty
1	23004487	PANEL, TOP 25LB	10	1
2	23001003	RUBBER COVER, SOAP BOX	10	1
3	23003781	LACTH, SOAP HOPPER COVER	10	1
4	23004187	RUBBER, TUB SOAP HOPPER	10	1
10	23001012	SCREW (M4 X 12 STNLS STEEL)	10	1
11	23002111	WASHER (4)	10	1
12	23002652	NUT (QTY OF 4 = 1 PIECE)	10	1
13	23001015	RUBBER SEAL, SOAP BOX	10	1
14	23001016	SOAP BOX HOUSING	10	1
15	23001017	SOAP BOX INSERT	10	1
16	23001018	SIPHON	10	1
17	23001019	TRAY	10	1
18	23001020	COVER, PLATE	10	1
19	23001021	DRAWER, PREWASH	10	1
20	23001022	DRAWER, MAIN WASH	10	1
21	23001023	DRAWER, LAST RINSE	10	1
22	23003782	SCREW 3 STAINLESS STEEL LU	10	1
23	23001025	CLAMP, HOSE (DIA 90/110)	10	1
24	23004488	SCREW ST4 8X25	10	1
25	23004481	SPEEDNUT	10	1
26	23003778	WASHER 12	10	1
27	23003484	SCREW (M5X16)	10	1

*Color Code (-)=Not Shown #=Series, Serial Prefix or Run No., N=Not Available

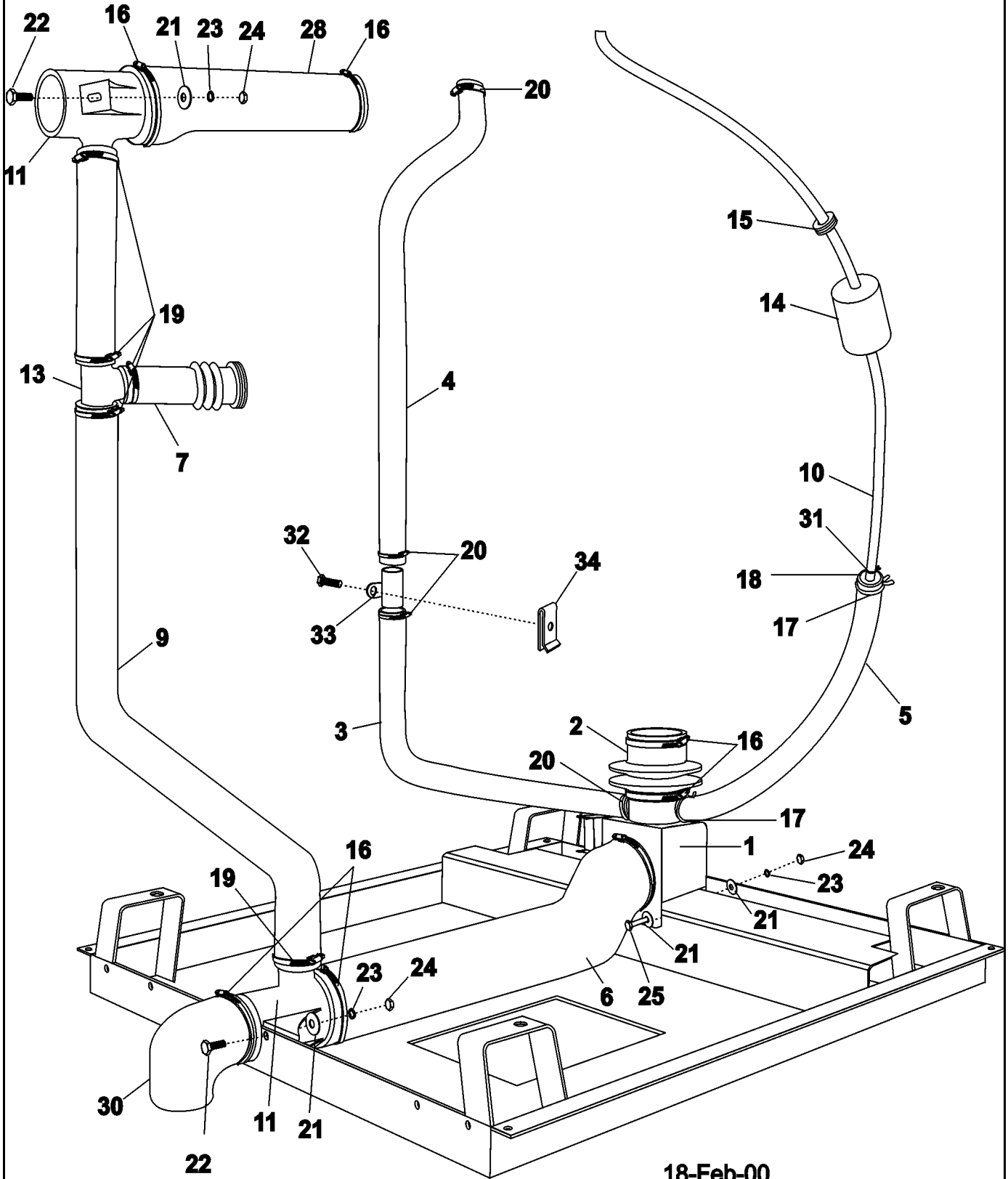
Section: DOOR

No.	Part No.	Description	Series	Qty
3	23003544	GLASS, DOOR	10	1
4	23001365	RUBBER, DOOR GLASS	10	1
5	23003545	BLOCS, HINGE LU	10	1
6	23001166	SHIM, HINGE PLATE	10	1
9	23001168	SHAFT, LEVER	10	1
10	23002900	SPRING, LOCKING PART	10	1
11	23002499	WASHER	10	1
14	23002424	WASHER	10	1
15	23002130	WASHER (6)	10	1
16	23002279	BOLT (M6X20)	10	1
17	23001173	HANDLE, LEVER PLATE	10	1
19	23002280	NUT (M6)	10	1
20	23001175	SCREW (M6X20 STAINLESS STEELLU	10	1
21	23004113	BOLT M4 X 12	10	1
23	23003860	PLATE, HANDLE ORNAMENTAL	10	1
24	N 500158	SCREW, #10-24 X 1/2 INCH	10	1
26	N 500080	FRONT, BULKHEAD	10	1
27	23001370	HANDLE, LEVER PLATE	10	1
28	23003858	HANDLE	10	1
29	23004489	GASKET, HINGE DOOR	10	1

*Color Code (-)=Not Shown #=Series, Serial Prefix or Run No., N=Not Available

Section: DRAIN SYSTEM

Model: MFS25PNFTS



18-Feb-00
504 749

CW21-193

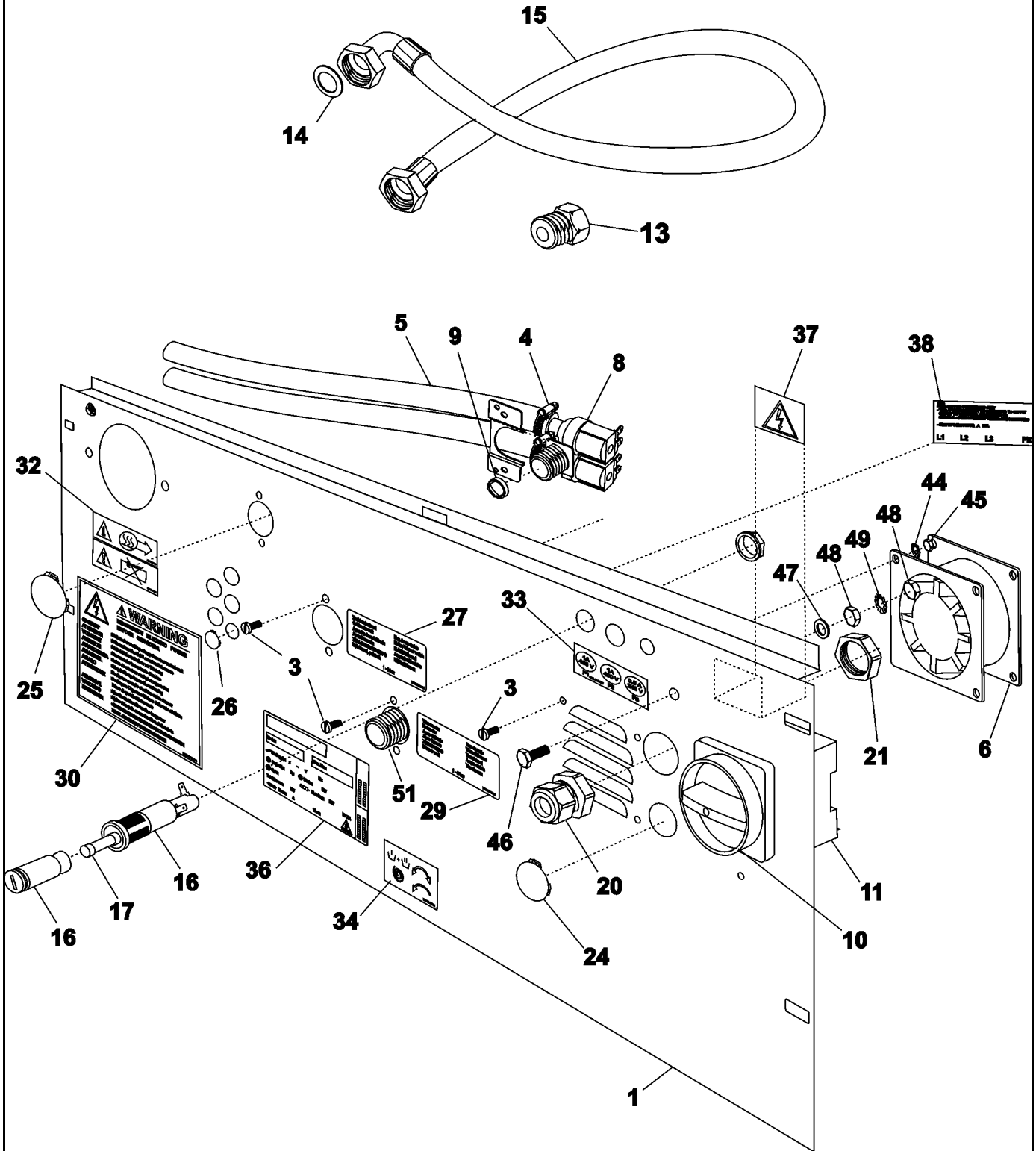
Section: DRAIN SYSTEM

No.	Part No.	Description	Series	Qty
-	W10126968	DRAIN VALVE HOUSING 3"	10	1
-	23002321	MOTOR, DRAIN (240V)	10	1
1	23001244	VALVE, DRAIN (240V-50/60HZ)	10	1
2	23002907	TUB, OUTLET VALVE HOSE	10	1
3 N	100169	BELT, V (5L-350)	10	1
4	23004490	HOSE, RUBBER LOWER	10	1
5	23001246	HOSE, BOTTOM FILL	10	1
6	23001249	HOSE, DRAIN	10	1
7	23001250	HOSE, AIR VENT	10	1
9	23001251	HOSE, OVERFLOW	10	1
10	23001252	HOSE, WATER LEVEL SWITCH	10	1
11	23001253	DRAIN TEE	10	1
13	23001255	TEE, OVERFLOW HOSE	10	1
14	23004491	FOAM RUBBER AQUASTATE	10	1
15	23001138	BUSHING, CABLE PASSAGE	10	1
16	23001258	CLAMP, HOSE (70-90)	10	1
17	23001259	CLAMP, CORBIN (A17.5)	10	1
18	23001260	BUSHING, AIR DOME HOSE	10	1
19	23001261	CLAMP, HOSE (32-50)	10	1
20	23001262	CLAMP, HOSE (20-32)	10	1
21	23002437	WASHER (M8)	10	1
22	23002475	BOLT (M8X20)	10	1
23	23002439	WASHER, SPRING LOCK (8)	10	1
24 N	23003766	NUT M8	10	1
25	23002908	SCREW (M8X120)	10	1
28	23001254	AIR VENT HOSE, SOAP BOX	10	1
30	23002015	ELBOW (90 DEGREE)	10	1
31	23001257	CLAMP, CORBIN (A5.5)	10	1
32	23004480	SCREW ST4, 8X13	10	1
33	23004492	TUBE, SOAPHOPPER	10	1
34	23004481	SPEEDNUT	10	1

*Color Code (-)=Not Shown #=Series, Serial Prefix or Run No., N=Not Available

Section: REAR PANEL

Model: MFS25PNFTS



31-Jan-06
504 360B

CW22-08

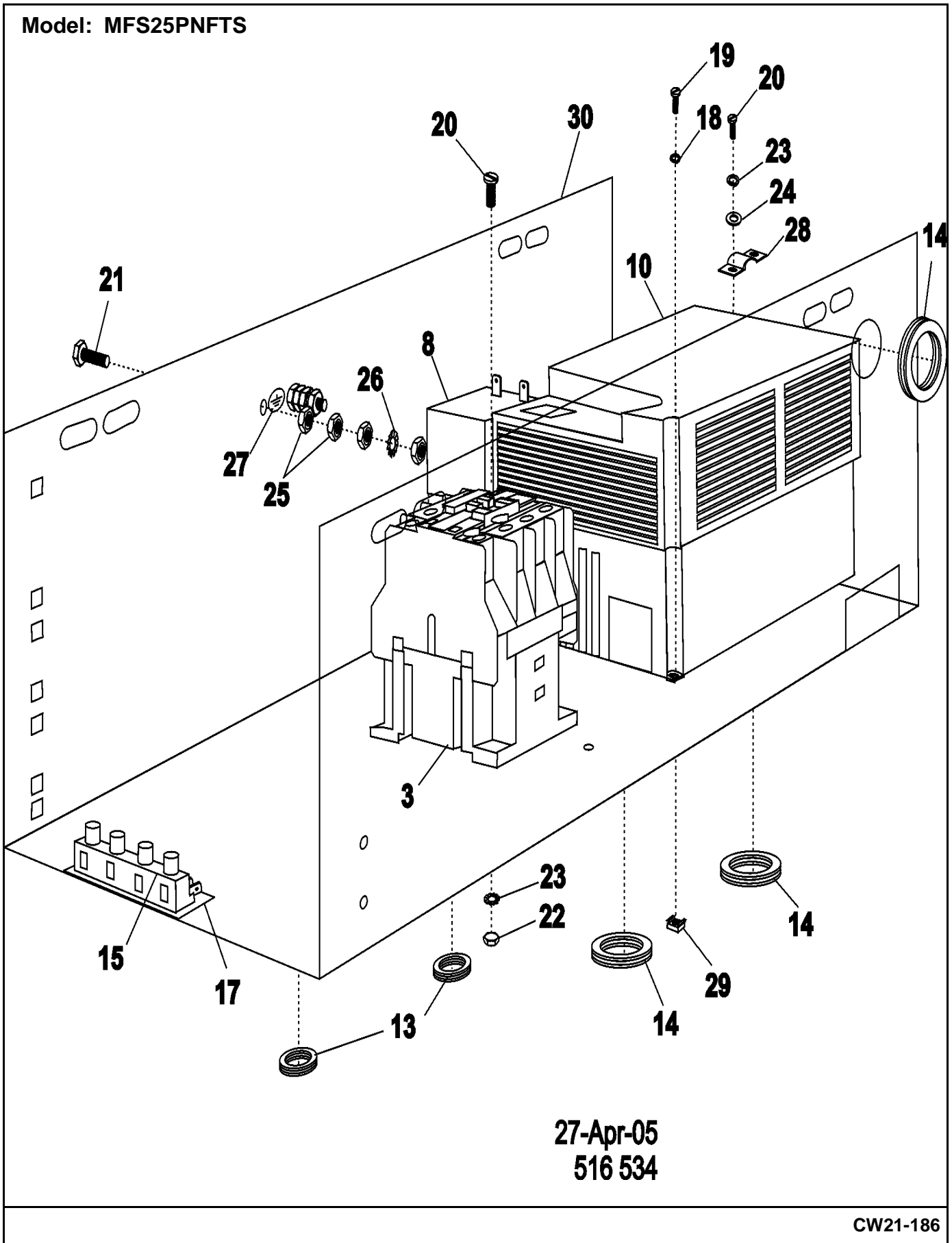
Section: REAR PANEL

No.	Part No.	Description	Series	Qty
1	23004493	PANEL, REAR 25LB	10	1
3	23002423	SCREW (M4 X 10)	10	1
4	23001506	CLAMP, HOSE	10	1
5	23001507	WATERHOSE (GREEN)	10	1
6	23002165	VENTILATOR	10	1
8	23001455	VALVE, TWO WAY (220V 50/60HZ)	10	3
9	23003498	FILTER, VALVE	10	3
10	23003497	KNOB	10	1
11	23003500	SWITCH, MAIN (25A)	10	1
13	23001477	ADAPTER (3/4" PIPE TO 3/4" HOS	10	1
-	23004521	3/4" Y ADAPTER	10	1
14	23002921	WASHER, FILL HOSE	10	1
15	23001523	HOSE, CONNECTION	10	1
16	23002210	HOLDER, FUSE	10	1
17	23003385	FUSE 1A 6X32	10	1
20	23004494	BUSHING	10	1
21	23004495	WARTEL NUT	10	1
24	23003997	PLUG, HOLE	10	1
26	23002795	PLUG	10	1
27	23001469	STICKER, HOT WATER	10	1
29 N	23001470	STICKER, COLD HARD WATER	10	1
30	23001465	STICKER, ELECTRICITY WARNING	10	1
32	23002053	LABEL, WARNING VENT OUT	10	1
33	23003328	STICKER (1A 400V)	10	1
34	23001468	STICKER, SPIN DIRECTION	10	1
36	23004399	SERIAL LABEL	10	1
37	23003390	INDEX PLATE "FLASH"	10	1
38 N	23002913	LABEL, TERMINAL	10	1
46	23002806	SCREW (M6 X 25)	10	1
47	23002424	WASHER	10	1
48	23002651	NUT (M6)	10	1
49	23002425	WASHER, LOCK	10	1
51	23002924	T-PART (3/4)	10	1

*Color Code (-)=Not Shown #=Series, Serial Prefix or Run No., N=Not Available

Section: ELECTRICAL COMPONENTS

Model: MFS25PNFTS



27-Apr-05
516 534

CW21-186

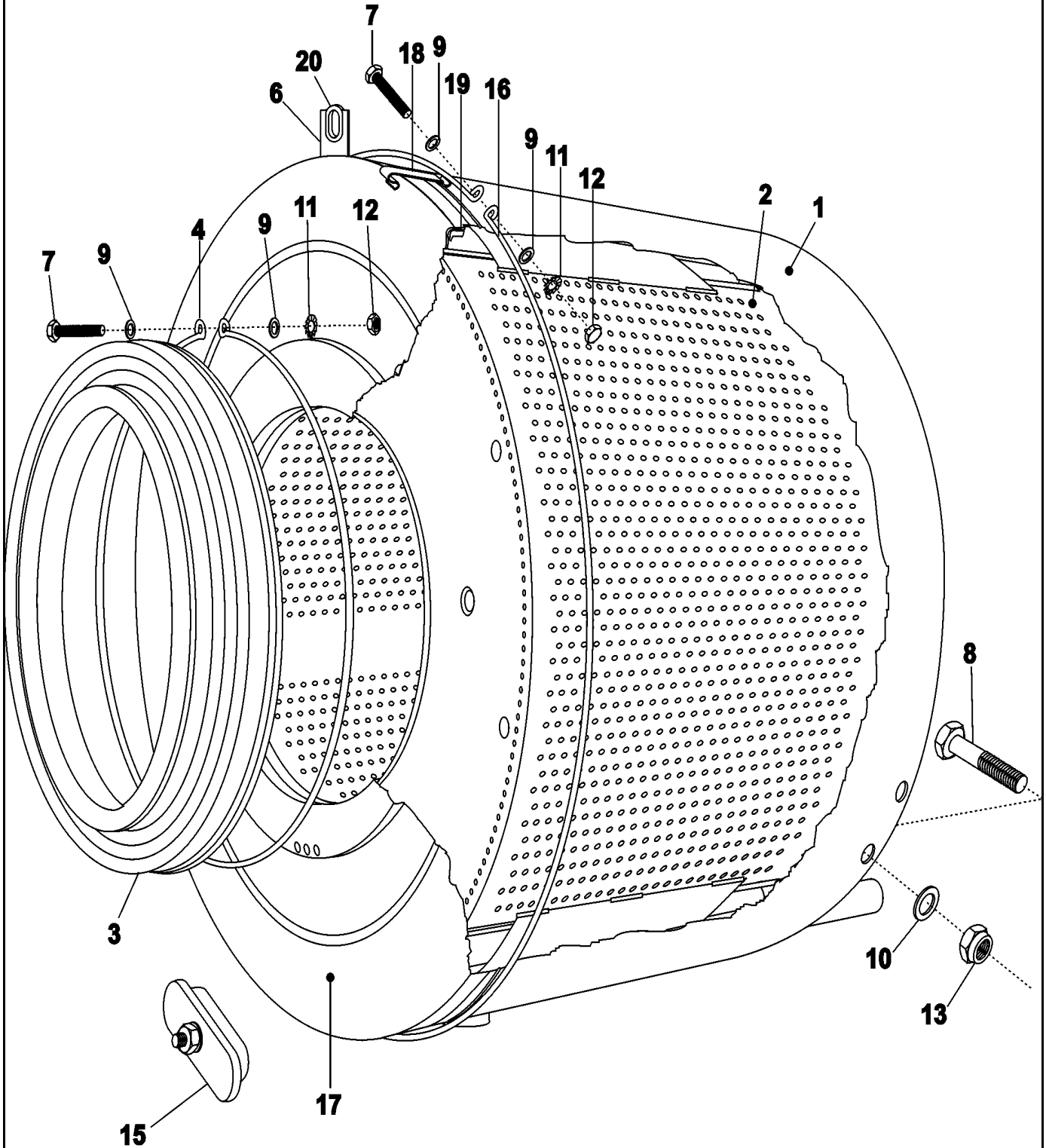
Section: ELECTRICAL COMPONENTS

No.	Part No.	Description	Series	Qty
3	23003750	CONTACTOR LC1 DO9	10	1
-	23004220	FAN, INVERTER FREQ	10	1
-	23004496	COMMUNICATION CABLE	10	1
10	23004080	INVERTER MIT 1.5KW 1PHASE	10	1
13	23001138	BUSHING, CABLE PASSAGE	10	1
14	23001117	RING, RUBBER (DIA. 25)	10	1
15	23001113	CONNECTOR HOUSING (4 POLE)	10	1
17	23001115	INSULATION PAPER	10	1
18	23002862	WASHER (5,3)	10	1
19	23004497	BOLT M5X16	10	1
20	23002398	SCREW (M4X16)	10	1
21	23002806	SCREW (M6 X 25)	10	1
22	23003666	NUT (M4)	10	1
23	23002438	WASHER (M6)	10	1
24	23002504	WASHER	10	1
25	23002651	NUT (M6)	10	1
26	23002425	WASHER, LOCK	10	1
27	23002505	PLATE, EARTH	10	1
28	23004094	HOLDER	10	1
29	23001448	NUT, RAPID (M5)	10	1
30	23004386	PANEL, ELECTRICAL COMPONENTS	10	1
-	23004163	DOOR LOCK HARNESS	10	1
-	23004498	MOTOR CABLE	10	1
-	23004499	HARN-MAIN	10	1

*Color Code (-)=Not Shown #=Series, Serial Prefix or Run No., N=Not Available

Section: TUB AND DRUM

Model: MFS25PNFTS



24-May-00
504 752

CW17-61

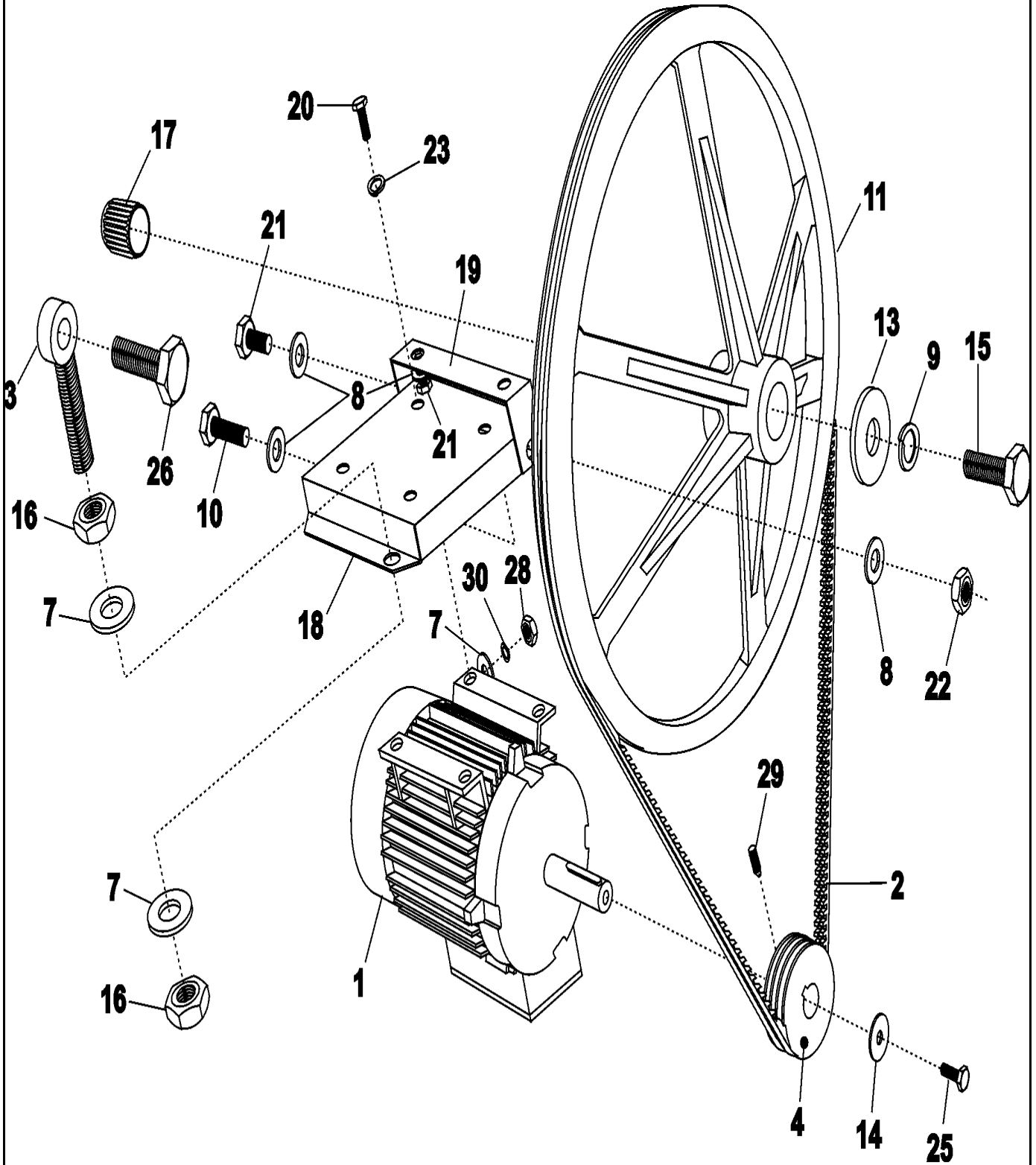
Section: TUB AND DRUM

No.	Part No.	Description	Series	Qty
1	23004500	TUB 25LB	10	1
2	23004501	DRUM 25LB	10	1
3	23003536	HOUSING, TUB	10	1
4	23003537	RING, FIXATION	10	1
6	23003539	PASSAGE, CABLE	10	1
7	23004000	BOLT M6 X 60	10	1
8	23003079	SCREW (M12X40)	10	1
9	23002469	WASHER	10	1
10	23002657	WASHER (13)	10	1
11	23002756	WASHER	10	1
12	23003773	NUT M6	10	1
13 N	23003091	NUT (M12)	10	1
15	23001594	BLIND, HEATING ELEMENT	10	1
16	23004502	CLAMP, RING HOLDER	10	1
17	23004503	PANEL, FRONT TUB	10	1
18	23004141	FRONT COVER CLIP	10	1
19	23004148	TUB FRONT GASKET	10	1
20	23003911	PLATE, DETECTION TILT SWITCH	10	1

*Color Code (-)=Not Shown #=Series, Serial Prefix or Run No., N=Not Available

Section: MOTOR DRIVE

Model: MFS25PNFTS



29-May-02
504 753A

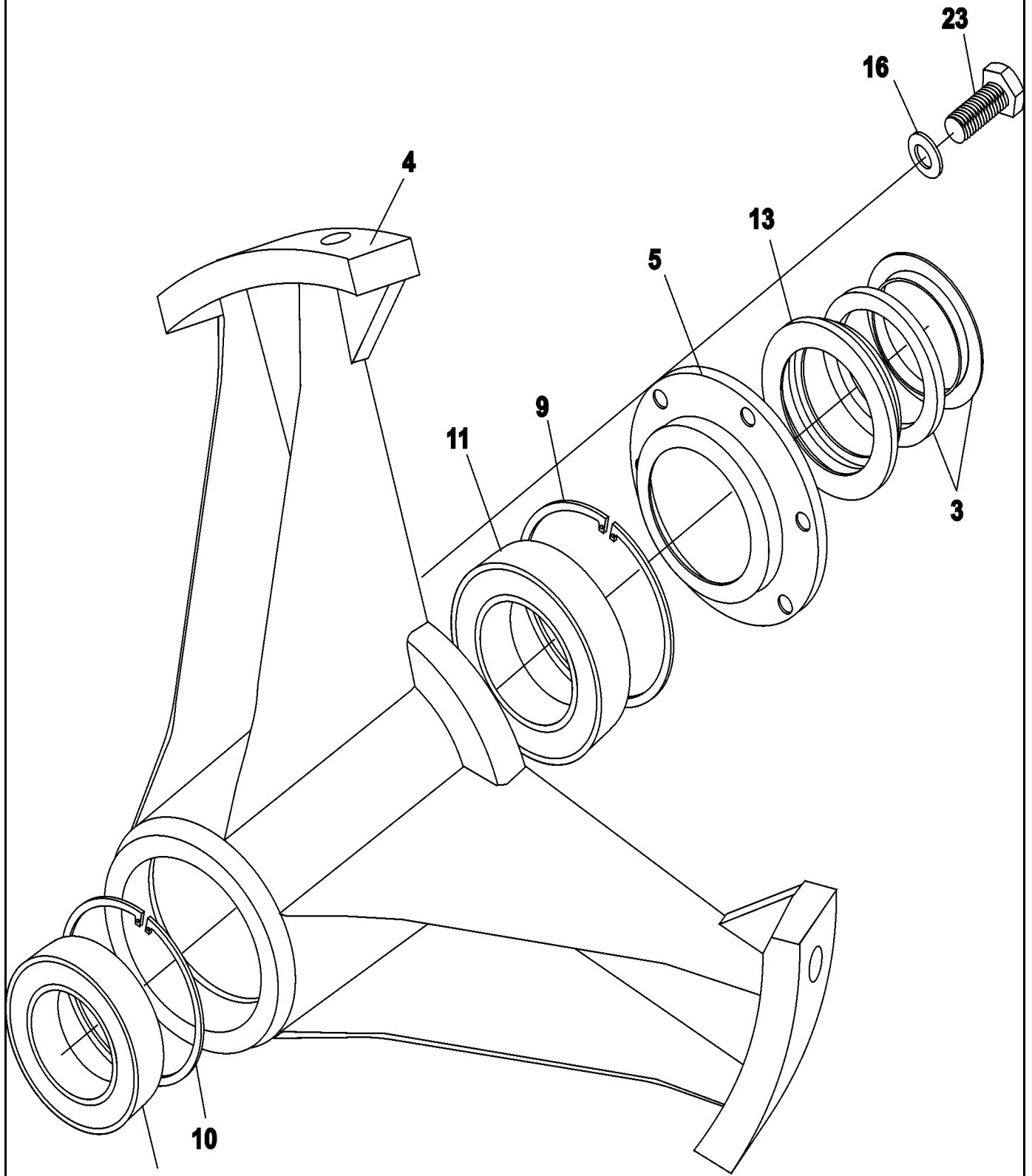
Section: MOTOR DRIVE

No.	Part No.	Description	Series	Qty
1	23004081	MOTOR 240V 3PHASE	10	1
2	23004504	V-BELT 25LB	10	1
3	23004505	BOLT-FIXATION	10	1
4	23004506	V-PULLEY-MOTOR 25LB	10	1
7	23003403	WASHER 16BN 737	10	1
8	23004023	WASHER 10M	10	1
9	23002658	WASHER (12)	10	1
10	23003285	BOLT (M10X50)	10	1
11	23001415	PULLEY, BASKET	10	1
13	23004146	WASHER 12	10	1
14	23003788	WASHER	10	1
15	23003332	BOLT (M12-1.75 X 25)	10	1
16	23004281	NUT M16	10	1
17	23001410	RING, TOLERANCE (DIA. 28)	10	1
18	23004507	MOTOR, MOUNTING BOARD	10	1
19	23004508	BRACE, MOTOR MNTNG	10	1
20	23002647	SCREW (M8 X 25)	10	1
21	23001905	BOLT (M10X25)	10	1
22	23003764	NUT M10	10	1
23	23001263	WASHER (8.4)	10	1
25	23002475	BOLT (M8X20)	10	1
26	23004040	BOLT M16 X 50	10	1
28 N	23003766	NUT M8	10	1
29	23004509	SCREW M8X10	10	1
30	23002439	WASHER, SPRING LOCK (8)	10	1

*Color Code (-)=Not Shown #=Series, Serial Prefix or Run No., N=Not Available

Section: TRUNNION

Model: MFS25PNFTS



18-Feb-00
505 639

CW24-14

Section: TRUNNION

No.	Part No.	Description	Series	Qty
3	23001233	RING, SEAL	10	1
4	23004510	HOUSING, BEARING 25LB	10	1
5	23004511	SEAL	10	1
9	23004039	RETAINING RING	10	1
10	23004512	RETAINING, RING	10	1
11	23003615	BEARING	10	1
12	23004032	BEARING	10	1
13	23001234	SEAL, WATER	10	1
16	23002281	WASHER (6-COPPER)	10	1
23	23002279	BOLT (M6X20)	10	1

*Color Code (-)=Not Shown #=Series, Serial Prefix or Run No., N=Not Available

