

WASHER

Repair Parts List

MODEL NUMBER

MFS80PNDVS

When requesting service or ordering parts, always provide the following information:

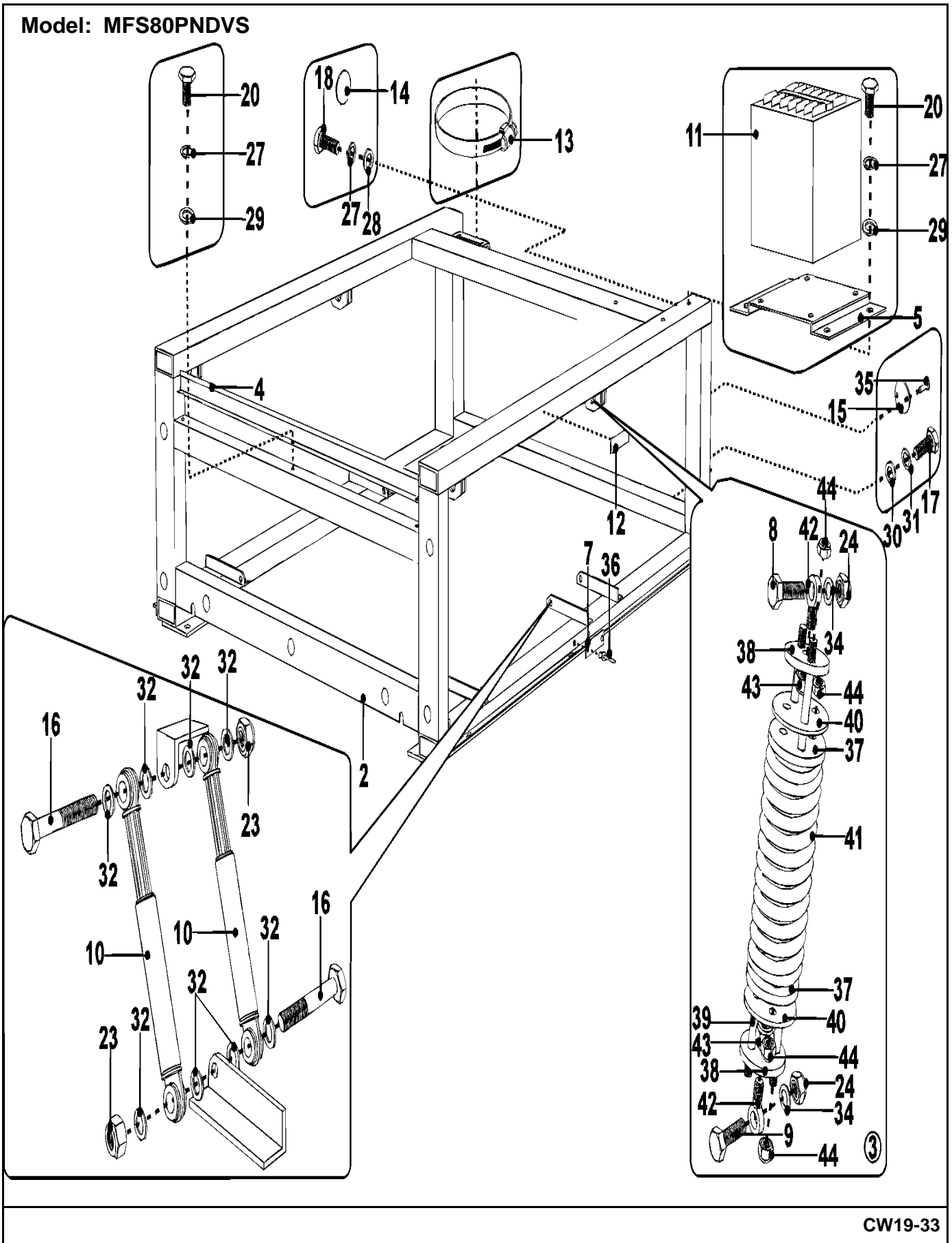
- Product Type
- Part Number
- Model Number
- Part Description

MAYTAG®

©2005 Maytag Services

Section: BASE

Model: MFS80PNDVS



CW19-33

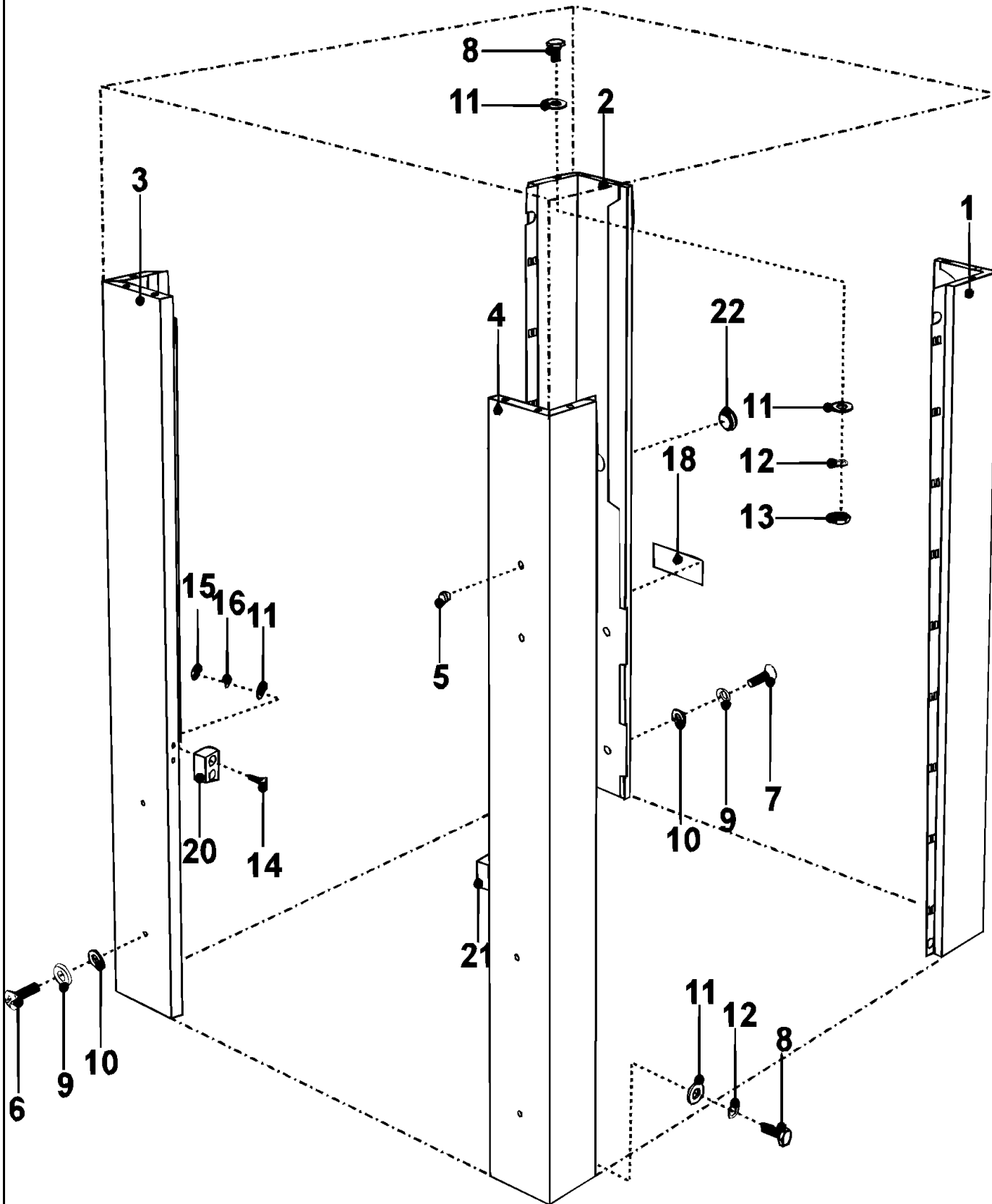
Section: BASE

No.	Part No.	Description	Series	Qty
2	23002339	FRAME	10	1
3	23002341	SPRING HINGE ASSY.	10	1
4	23003914	FRAME	10	1
5	23002343	HOLDER, TRANSFORMER	10	1
7 N	23002344	PLATE, SMALL	10	1
8 N	23003177	SCREW	10	1
9 N	23002345	SCREW	10	1
10	23002347	DAMPER	10	2
11	23002348	TRANSFORMER, CONTROL CIRCUIT	10	1
12	23001567	SHEET, ANTI-VIBRATION	10	1
13	23001750	RING, CLAMP (40-60)	10	1
14	23002505	PLATE, EARTH	10	1
15 N	23002350	PLATE, INDEX	10	1
16	23002351	SCREW (M10X80)	10	1
17	23002421	SCREW (M8 X 15)	10	1
18	23002422	SCREW (M6 X 12)	10	1
20	23002461	SCREW (M6 X16)	10	1
23	23002356	NUT (M10)	10	1
24	23001651	NUT (M16)	10	1
27	23001651	NUT (M16)	10	1
28	23002424	WASHER	10	1
29	23003774	WASHER 12	10	1
30	23002439	WASHER, SPRING LOCK (8)	10	1
31	23001608	WASHER (M8) LU	10	1
32	23003788	WASHER	10	1
34	23001735	WASHER (M17)	10	1
35	23003915	NAIL 2x4	10	1
36	23002362	RIVET W/CRANK	10	1
37	23002363	SLEEVE	10	1
38	23002364	DISK	10	1
39 N	23003916	BAR, DRAWING	10	1
40	23002366	PACKING PIECE	10	1
41	23003917	SPRING	10	1
42	23002368	SCREW, EYE	10	1
43	23001651	NUT (M16)	10	1
44	23002356	NUT (M10)	10	1

*Color Code (-)=Not Shown #=Series, Serial Prefix or Run No., N=Not Available

Section: BASE UPRIGHTS

Model: MFS80PNDVS



CW19-34

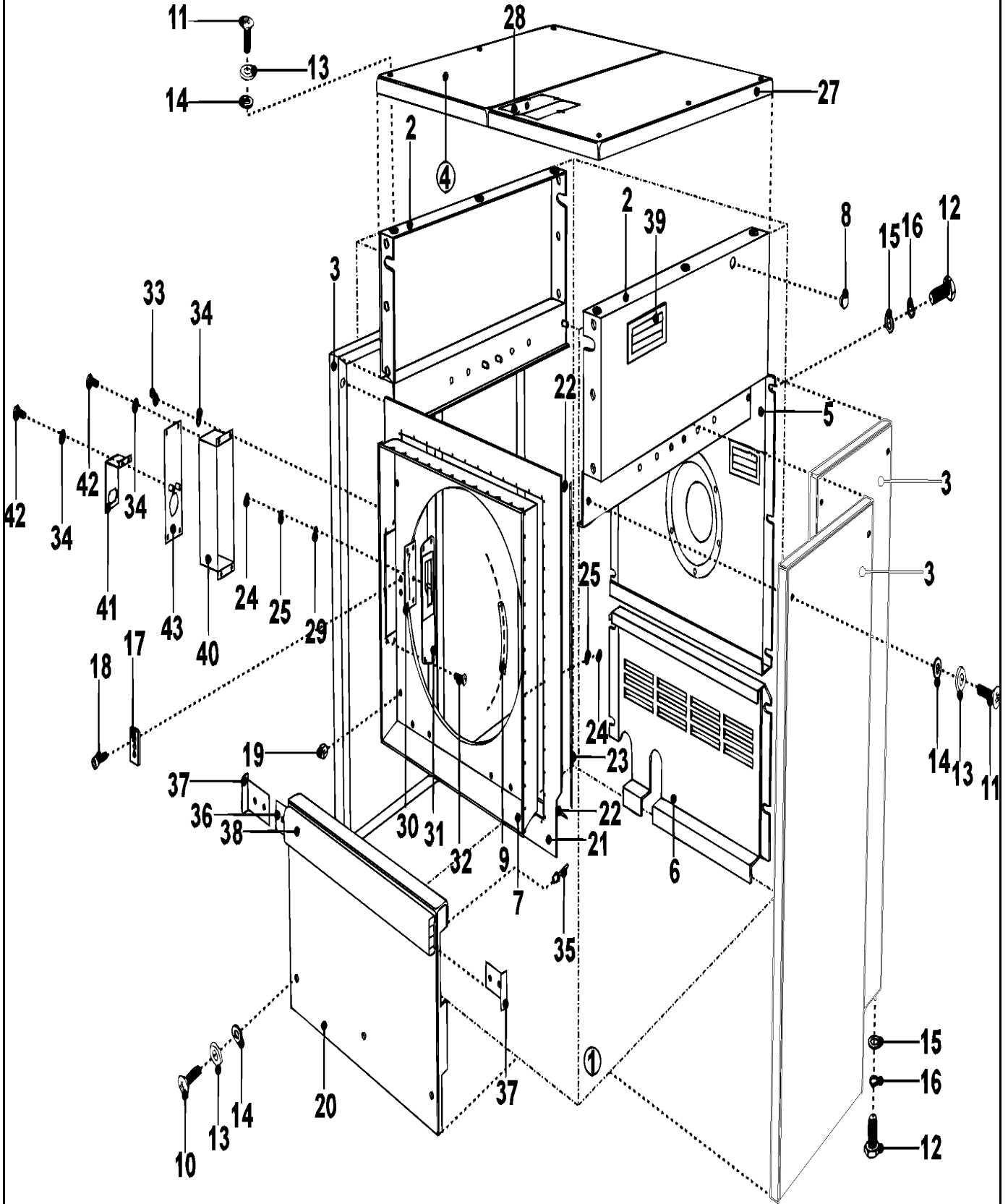
Section: BASE UPRIGHTS

No.	Part No.	Description	Series	Qty
1	23002369	COVER, RIGHT-REAR	10	1
2	23002370	COVER, LEFT-REAR	10	1
3	23003918	CVR, FRONT LH CORNER	10	1
4	23003919	CVR, FRONT RH CORNER	10	1
5	23002373	END STOP	10	1
6	23002374	SCREW (M6X20)	10	1
7	23002375	SCREW (M6X40)	10	1
8 N	23002376	SCREW (M6X18)	10	1
9	23002457	WASHER	10	1
10	23002458	WASHER (FIBER)	10	1
11	23003774	WASHER 12	10	1
12	23002138	WASHER (10)	10	1
13	23002651	NUT (M6)	10	1
14	23003920	BOLT M6x40	10	1
15	23002470	WASHER	10	1
16	23002357	WASHER	10	1
18	23003921	LABEL, STEAM	10	1
20	23003922	CUBE, LEFT	10	1
21	23003923	CUBE, RIGHT	10	1
22	23001594	BLIND, HEATING ELEMENT	10	1

*Color Code (-)=Not Shown #=Series, Serial Prefix or Run No., N=Not Available

Section: CABINET

Model: MFS80PNDVS



CW12-43

Section: CABINET

No.	Part No.	Description	Series	Qty
1	23002380	COVER, FRONT	10	1
2	23003181	SIDE, COVER (UPPER-COMPLETE)	10	1
3	23003182	COVER, SIDE (COMPLETE)	10	1
4	23003183	COVER (UPPER-COMPLETE)	10	1
5	23003184	COVER, REAR (UPPER)	10	1
6	23003185	COVER (LOWER-REAR)	10	1
7	23003924	WELDED FOIL II	10	1
8	23001476	PLUG, WATER INLET	10	1
9	23002473	RUBBER, PROTECTIVE	10	1
10	23002374	SCREW (M6X20)	10	1
11	23002375	SCREW (M6X40)	10	1
12	23001618	SCREW (M6X18)	10	1
13	23002457	WASHER	10	1
14	23002458	WASHER (FIBER)	10	1
15	23002424	WASHER	10	1
16	23002130	WASHER (6)	10	1
17	23002390	BLOCK	10	1
18	N 23002391	SCREW (M8X15)	10	1
19	N 23002392	NUT (M6)	10	1
20	23002393	COVER, FRONT-LOWER	10	1
21	23003968	RUBBER	10	1
22	23003925	PLATE, UPPER	10	1
23	23003926	PLATE, SIDE	10	1
24	23003666	NUT (M4)	10	1
25	23002400	WASHER	10	1
27	23003187	COVER (UPPER)	10	1
28	23002362	RIVET W/CRANK	10	1
29	N 23002407	WASHER	10	1
30	23003927	COLLAR	10	1
31	23003928	COVER LOCK WELDED	10	1
32	23002722	SCREW (M6 X 12)	10	1
33	23003773	NUT M6	10	1
34	23002440	WASHER, SPRING LOCK (6)	10	1
35	23002408	RIVET W/CRANK	10	1
36	23003929	STRIP, INNER	10	1
37	23002410	BAR, SIDE	10	1
38	23003930	PROFILE	10	1
40	23003931	LOCK, COVER	10	1
41	23003932	HOLDER	10	1
42	23002649	SCREW (M6 X 10)	10	1
43	23003933	COVER	10	1

*Color Code (-)=Not Shown #=Series, Serial Prefix or Run No., N=Not Available

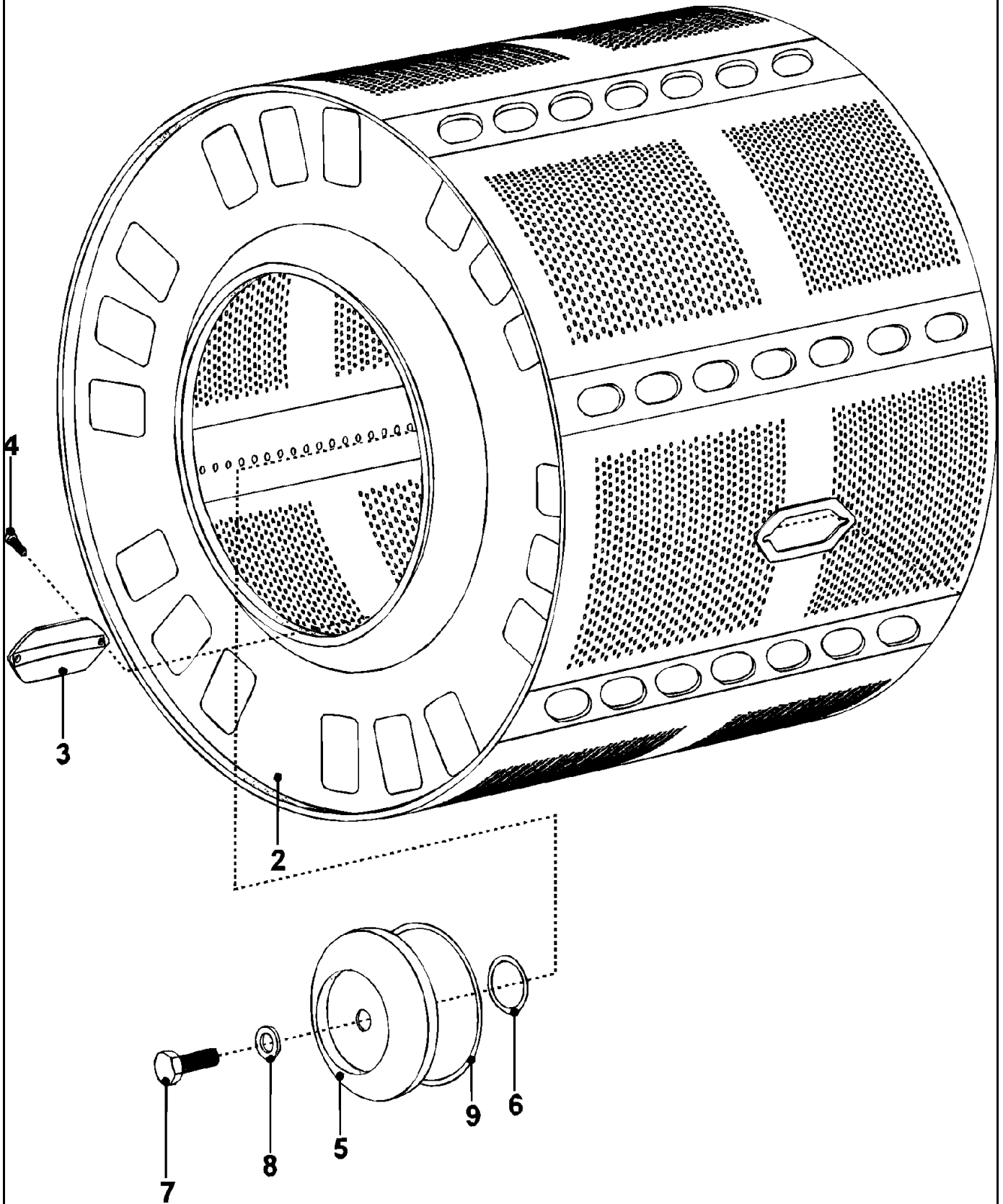
Section: OUTER TUB ASSY

No.	Part No.	Description	Series	Qty
2	23003188	TUB 80LB	10	1
3	23002414	WEIGHT (LARGE)	10	1
4	23002415	WEIGHT (SMALL)	10	1
5	23002416	LIMITER	10	1
6	23002417	HOLDER	10	1
7	23003934	HOSE, RUBBER	10	1
8	23002418	HOLDER, WIRE	10	1
9	23002422	SCREW (M6 X 12)	10	1
10	23002461	SCREW (M6 X16)	10	1
11	23002475	BOLT (M8X20)	10	1
12	23002476	SCREW (M20X150)	10	1
13	23003935	NUT M20	10	1
14	23003774	WASHER 12	10	1
15	23002424	WASHER	10	1
16	23002440	WASHER, SPRING LOCK (6)	10	1
17	23002130	WASHER (6)	10	1
18	23002439	WASHER, SPRING LOCK (8)	10	1
19	23002478	WASHER	10	1
20	23001256	CLAMP, HOSE (60-80)	10	1
21	23002479	PASSAGE, CABLE	10	1
22	23002480	PLUG (3/4)	10	1
23	23003807	HOLDER THERMOSTAT SENSOR	10	1
24	23002179	WASHER	10	1
26	23002473	RUBBER, PROTECTIVE	10	1
27	23002191	ELEMENT, HEATING 80LB	10	1
28	23001594	BLIND, HEATING ELEMENT	10	1
29	23002505	PLATE, EARTH	10	1
30	23003936	TUB, FACIA PANEL	10	1
31	23002422	SCREW (M6 X 12)	10	1
32	23002281	WASHER (6-COPPER)	10	1
34 N	23002484	CLIP	10	1
35	23002485	SEALING	10	1
36	23002486	BOLT (M8)	10	1
37	23001608	WASHER (M8) LU	10	1
38	23002487	NUT (M8)	10	1

*Color Code (-)=Not Shown #=Series, Serial Prefix or Run No., N=Not Available

Section: INNER TUB ASSY

Model: MFS80PNDVS



CW17-49

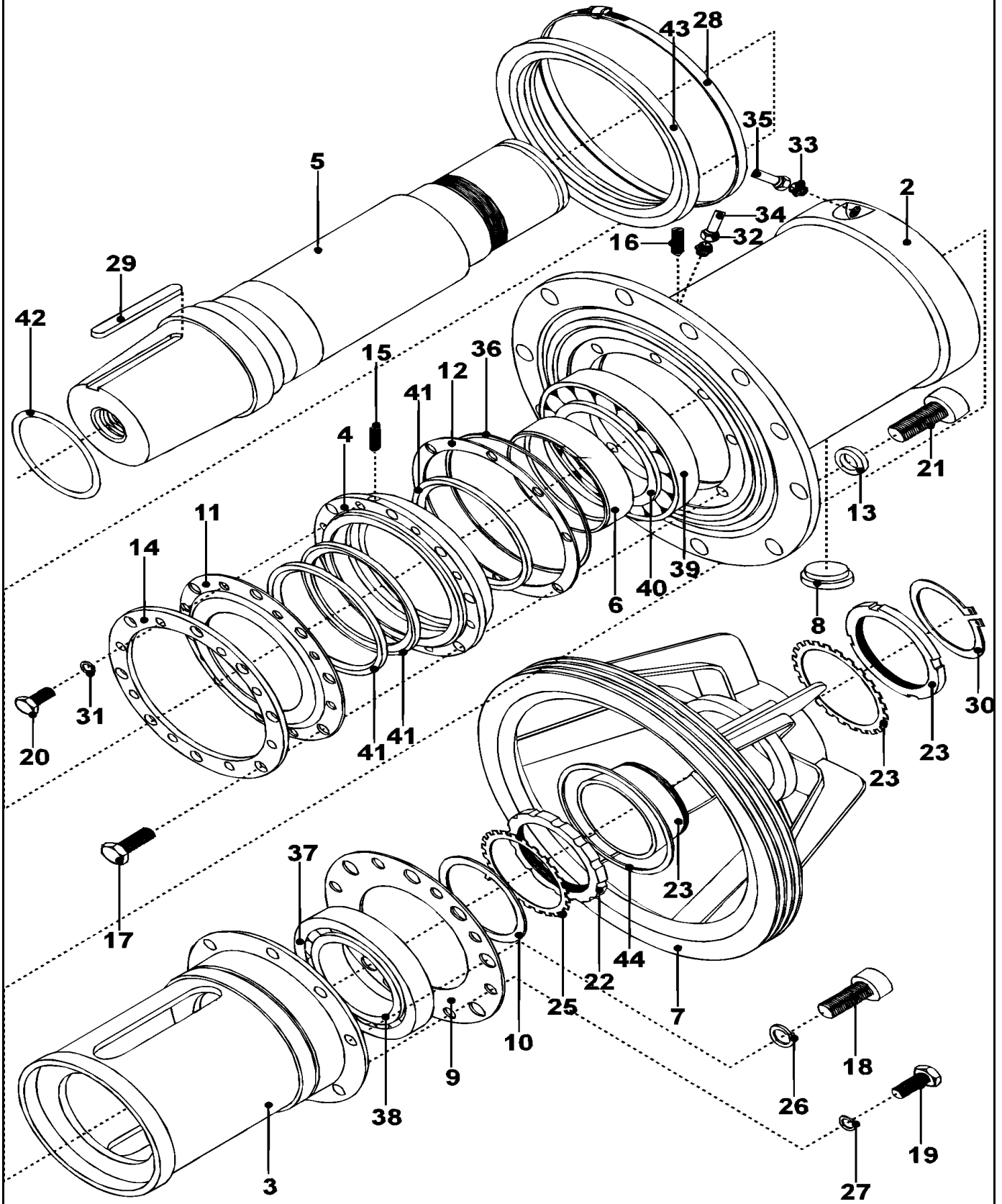
Section: INNER TUB ASSY

No.	Part No.	Description	Series	Qty
2	23003189	WASHING DRUM 80LB	10	1
3	23002259	COVER	10	1
4	23002617	SCREW (M4X8)	10	1
5	23002618	WASHER	10	1
6	23002619	O-RING	10	1
7	23002620	Bolt, 30mmx80mm, SS	10	1
8	23002621	WASHER	10	1
9	23002622	O-RING	10	1

*Color Code (-)=Not Shown #=Series, Serial Prefix or Run No., N=Not Available

Section: TRUNNION AND BEARING ASSY

Model: MFS80PNDVS



CW24-02

Section: TRUNNION AND BEARING ASSY

No.	Part No.	Description	Series	Qty
1	23003190	BEARING HOUSING (COMPLETE)	10	1
2	23003191	HOUSE, BEARING	10	1
3	23003192	INSERT, BEARING HOUSE	10	1
4	23003193	COVER, FRONT	10	1
5	23003194	SHAFT	10	1
6	23003937	RING	10	1
7	23003196	PULLEY	10	1
8	N 23003197	PLUG	10	1
9	23003198	COVER, SMALL	10	1
10	23003938	RING, DISTANCE	10	1
11	23003939	COVER, FRONT	10	1
12	23003201	SEALING	10	1
13	23003202	WASHER	10	1
14	23003203	COLLAR	10	1
15	N 23003204	SCREW (M6X6)	10	1
16	23003940	BOLT M10x10	10	1
17	23001605	SCREW (M8X30)	10	1
18	23003941	BOLT M10x30	10	1
19	23002422	SCREW (M6 X 12)	10	1
20	23001618	SCREW (M6X18)	10	1
21	23003942	BOLT M20x65	10	1
22	23001867	RING, FASTENING	10	1
23	23001653	BUSHING	10	1
25	23001868	RING, SAFETY	10	1
26	23002654	WASHER (10)	10	1
27	23002440	WASHER, SPRING LOCK (6)	10	1
28	23003209	CLIP	10	1
29	N 23003210	WEDGE	10	1
30	23003847	RING, RETAINING	10	1
31	23002130	WASHER (6)	10	1
32	23003211	NUT, TRANSFERING	10	1
33	23003212	NECK, CONNECTING	10	1
34	23003213	HOSE	10	1
35	23003213	HOSE	10	1
36	23003214	RING, O	10	1
37	23001873	RING, PULLEY SIDE OUTSIDE BEAR	10	1
38	23001874	RING, PULLEY SIDE INNER BEARIN	10	1
39	23001875	RING, DRUM SIDE OUTSIDE BEARIN	10	1
40	23001876	RING, DRUM SIDE INNER BEARING	10	1
41	23001877	SEAL	10	1
42	23002485	SEALING	10	1
43	23003215	BEARING, HOUSE SEALING	10	1
44	23003069	SEALING	10	1

*Color Code (-)=Not Shown #=Series, Serial Prefix or Run No., N=Not Available

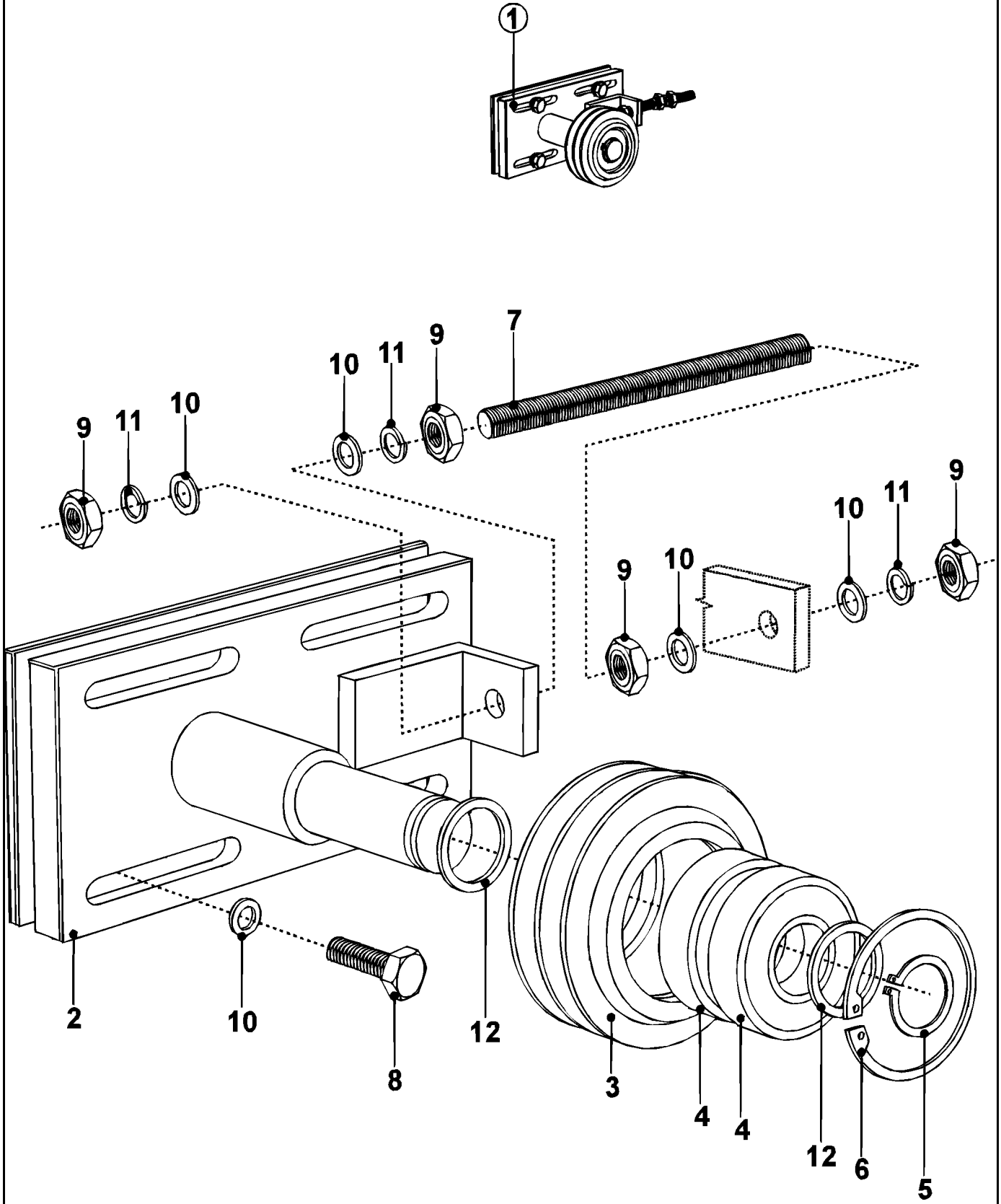
Section: MOTOR AND PULLEY

No.	Part No.	Description	Series	Qty
1	23003216	PLATE, DRIVE (COMPLETE)	10	1
2	23003943	DRIVE BOARD, COMPLETE	10	1
3	23003218	HOLDER, MOTOR	10	1
4	N 23003219	WASHER, MOTOR	10	1
5	N 23003220	WASHER, MOTOR (SPIN)	10	1
6	23003221	PULLEY, WASH MOTOR	10	1
7	23003222	PULLEY, SPIN MOTOR	10	1
8	N 23003223	BRACKET	10	1
13	23002122	V-BELT (XPZ987)	10	3
14	23001657	V-BELT (2287MM)	10	3
15	23003084	MOTOR, WASH (208-240V, 60HZ)	10	1
16	23003085	MOTOR, SPIN (208-240V, 60HZ)LU	10	1
17	23001658	SCREW (M6X10)	10	1
18	23002422	SCREW (M6 X 12)	10	1
19	23002475	BOLT (M8X20)	10	1
20	23002434	SCREW (M8 X 30)	10	1
21	23002648	SCREW (M10 X 20)	10	1
22	23002987	SCREW (M10X30)	10	1
23	23001660	SCREW (M10X120)	10	1
24	23002661	SCREW (M12 X 35)	10	1
25	23003766	NUT M8	10	1
26	N 23003670	NUT (M12)	10	1
28	23002424	WASHER	10	1
29	23002440	WASHER, SPRING LOCK (6)	10	1
30	23003769	WASHER M8	10	1
31	23002439	WASHER, SPRING LOCK (8)	10	1
32	23003788	WASHER	10	1
33	23002654	WASHER (10)	10	1
34	23002658	WASHER (12)	10	1
35	23001292	WASHER (13)	10	1
40	23002505	PLATE, EARTH	10	1
41	23003944	LABEL, MOTOR	10	1

*Color Code (-)=Not Shown #=Series, Serial Prefix or Run No., N=Not Available

Section: IDLER PULLEY

Model: MFS80PNDVS



CW23-03

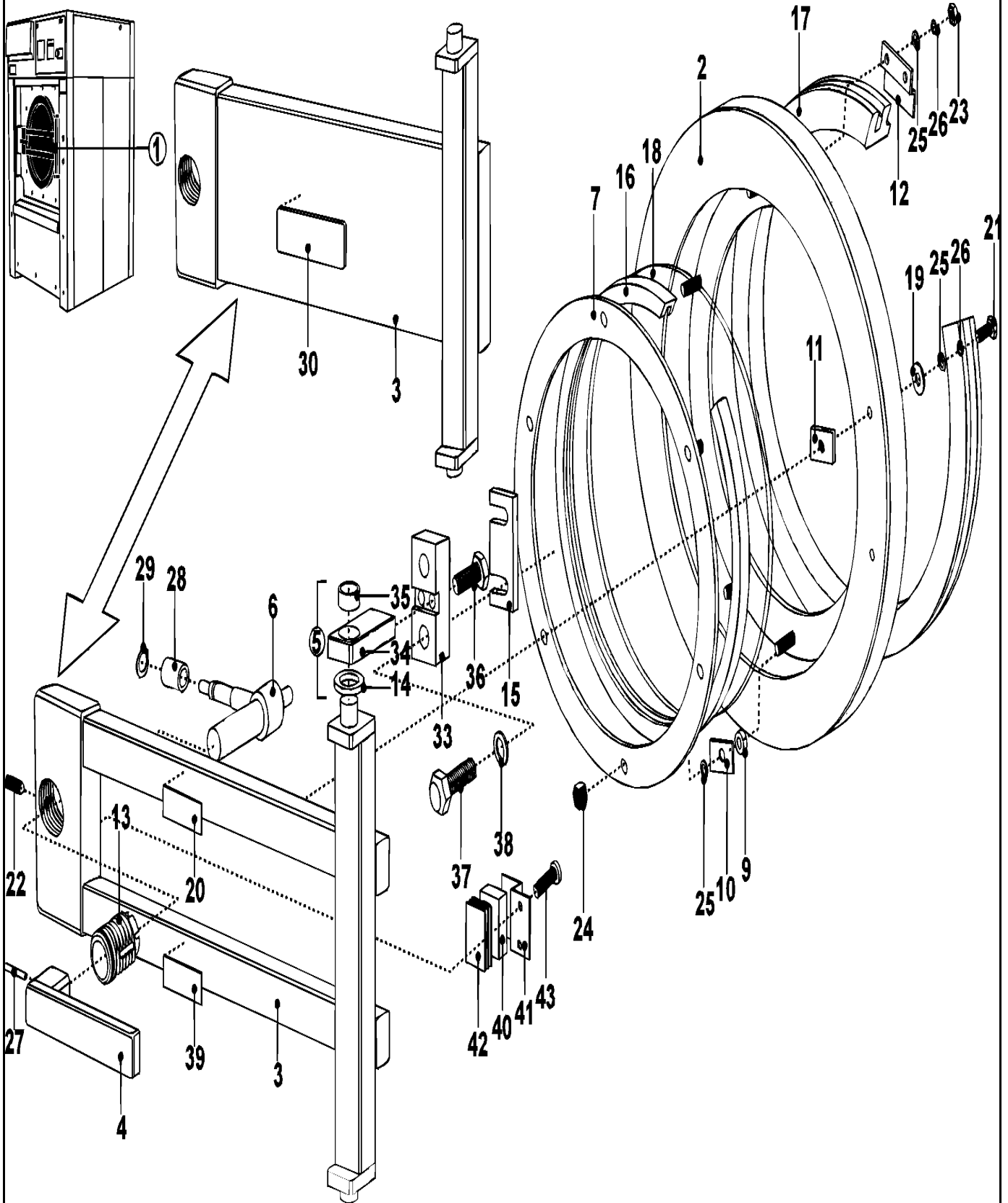
Section: IDLER PULLEY

No.	Part No.	Description	Series	Qty
1	23003225	ROLLER, TENSION (COMPLETE)	10	1
2	23002663	TENSION ROLLER	10	1
3	23003226	ROLLER	10	1
4	23002665	BEARING 6305-2RS1/C3	10	1
5	23003855	RING, RETAINING 25	10	1
6	23003856	RING, RETAINING 62	10	1
7	23002248	BOLT, TUB FRONT ADJUSTING	10	1
8	N 23002669	SCREW (M12 X 30)	10	1
9	N 23003670	NUT (M12)	10	1
10	23002657	WASHER (13)	10	1
11	23002658	WASHER (12)	10	1
12	N 23003227	WASHER	10	1

*Color Code (-)=Not Shown #=Series, Serial Prefix or Run No., N=Not Available

Section: DOOR

Model: MFS80PNDVS



CW10-69

Section: DOOR

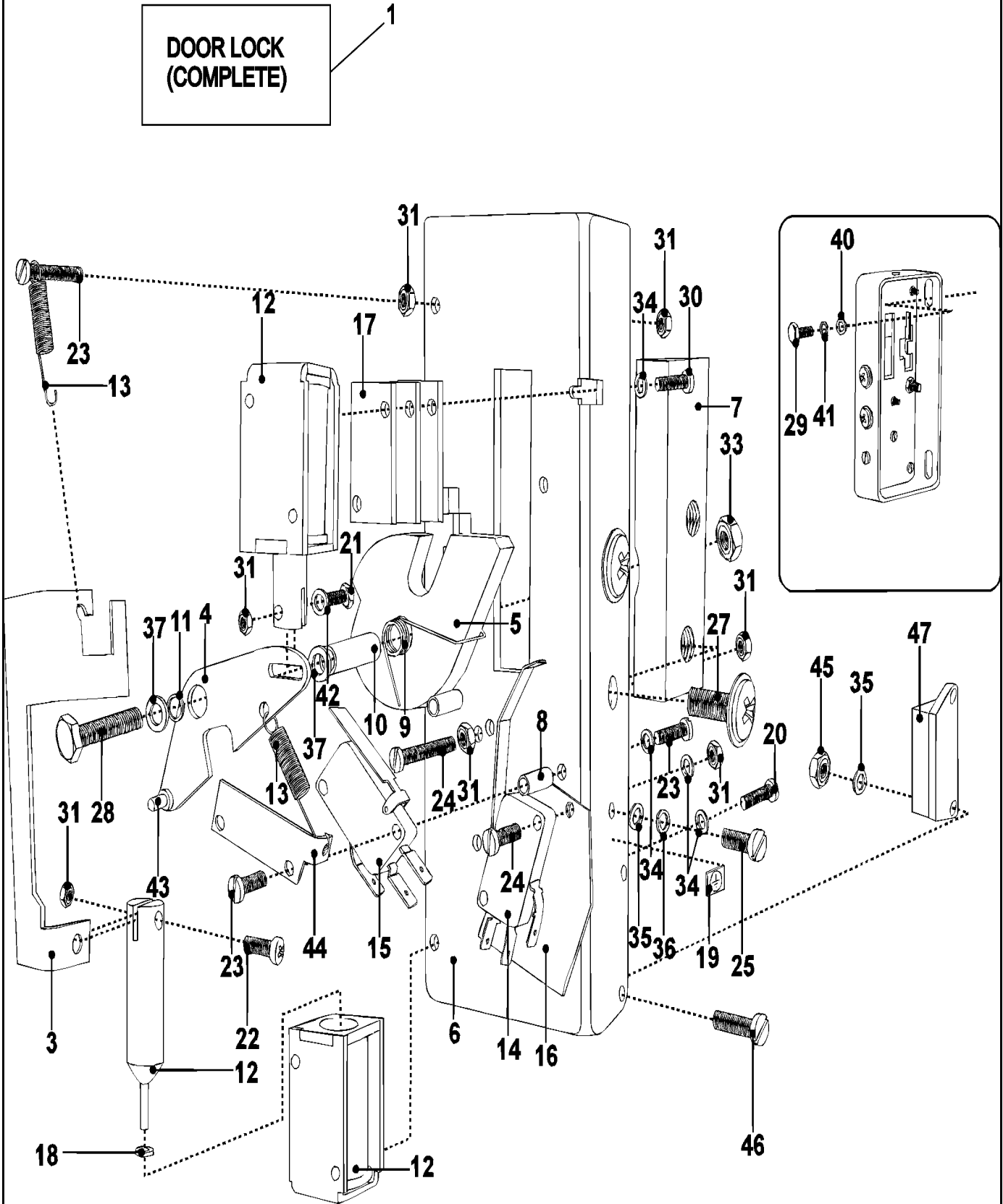
No.	Part No.	Description	Series	Qty
1	23003228	DOOR (COMPLETE)	10	1
2	23002675	DOOR	10	1
3	23002676	HINGE, DOOR	10	1
4	23003945	HANDLE	10	1
5	23002678	BRACKET	10	1
6	23002679	LEVER, DOOR	10	1
7	23002680	TYRE	10	1
9	23002681	INSERTION PIECE	10	1
10	23002682	WASHER	10	1
11	23002683	PLATE	10	1
12	23002684	Z-BRACKET	10	1
13	23002685	NUT, DISPLACING	10	1
14	23002686	WASHER, WEARING	10	1
15 N	23002687	SPACER	10	1
16	23003946	SEAL, GLASS	10	1
17	23003947	SEAL, DOOR	10	1
18	23002690	GLASS	10	1
19	23002265	WASHER	10	1
20	23001468	STICKER, SPIN DIRECTION	10	1
21	23001618	SCREW (M6X18)	10	1
22	23001658	SCREW (M6X10)	10	1
23	23002280	NUT (M6)	10	1
24 N	23002392	NUT (M6)	10	1
25	23002424	WASHER	10	1
26	23002130	WASHER (6)	10	1
27	23002691	PIN	10	1
28	23002692	SLEEVE	10	1
29	23003948	RETAINING RING	10	1
33	23002694	BOARD, CONSOLE	10	1
34	23002695	SUPPORT, CONSOLE	10	1
35	23002696	SLEEVE	10	1
36	23002697	SCREW (M12 X 30)	10	1
37	23002698	SCREW, DOOR CONSOLE	10	1
38 N	23002699	WASHER, DOOR CONSOLE	10	1
39	23003950	INDEX PLATE, HEAT WARN	10	1
40	23001668	CONTACT, MAGNETIC	10	1
41 N	23003951	HOLDER, MAGNET	10	1
43	23002721	SCREW (M4 X 12)	10	1

*Color Code (-)=Not Shown #=Series, Serial Prefix or Run No., N=Not Available

Section: DOOR LOCK

Model: MFS80PNDVS

DOOR LOCK
(COMPLETE)



CW10-70

Section: DOOR LOCK

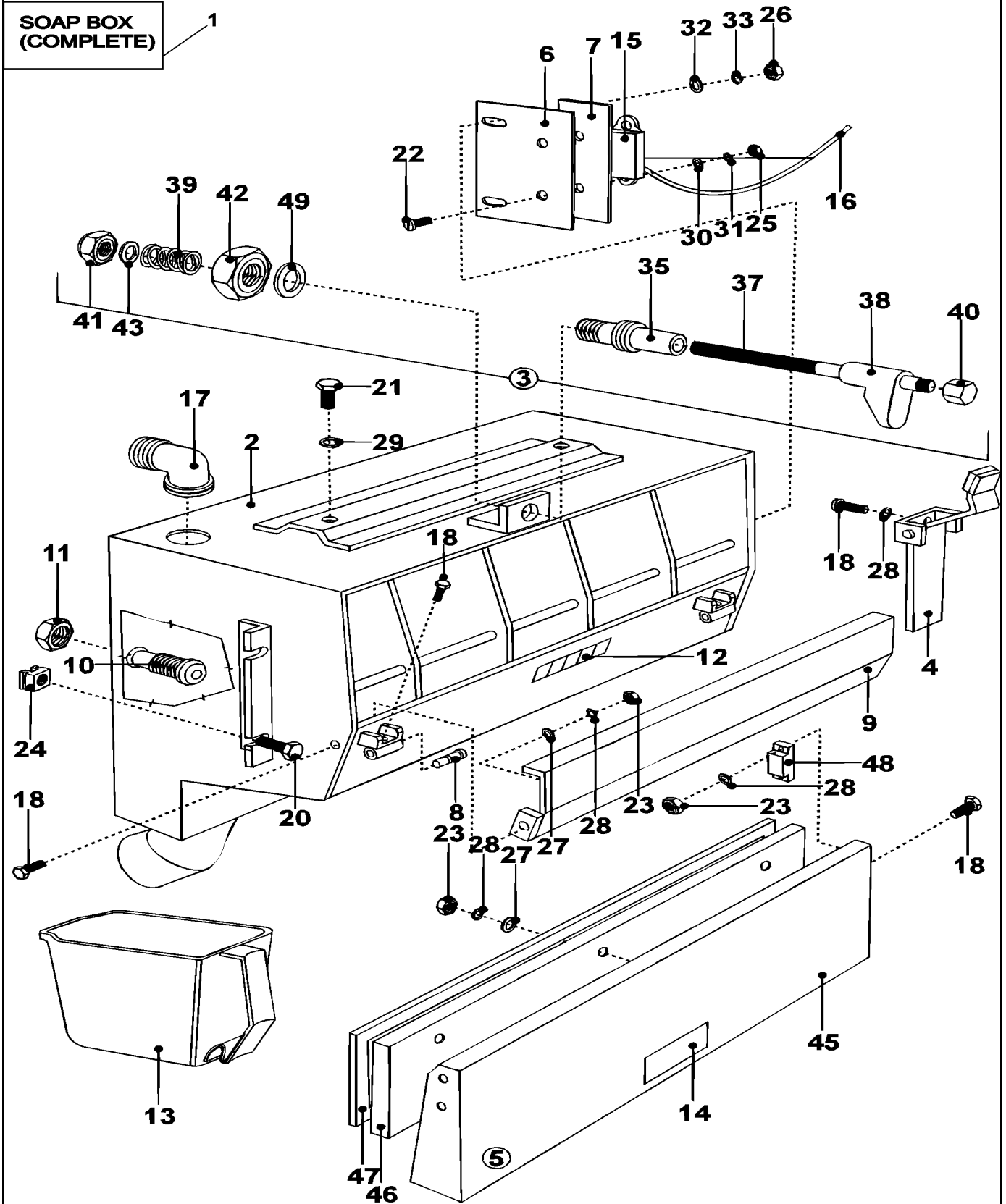
No.	Part No.	Description	Series	Qty
1	23003952	LOCK, DOOR COMPLETE	10	1
3	23002702	GATE	10	1
4	23002703	LINK	10	1
5	23002704	CAM LU	10	1
6	23003953	PLATE	10	1
7	23002706	RISING SECTION	10	1
8 N	23002707	COLUMN	10	1
9	23003954	SPRING	10	1
10	23002709	TUBE	10	1
11	23002710	RING	10	1
12	23002711	COIL	10	1
13	23002712	SPRING	10	1
14	23002713	MICROSWITCH	10	1
15	23002714	MICROSWITCH	10	1
16	23003863	PLATE, MICROSWITCH	10	1
17	23002716	WASHER, COIL	10	1
18	23001136	WASHER (DIA. 5.1 X 3.3 X 0.1)	10	1
19	23002505	PLATE, EARTH	10	1
20	23002717	SCREW (M3 X 6)	10	1
21 N	23002183	SCREW (M3X10)	10	1
22	23003115	SCREW (M3X14)	10	1
23	23002718	SCREW (M3 X 16)	10	1
24	23002719	SCREW (M3 X 20)	10	1
25	23002720	SCREW (M4 X 8)	10	1
27	23002722	SCREW (M6 X 12)	10	1
28	23002463	SCREW (M6 X 30)	10	1
29	23002723	SCREW (M8 X 22)	10	1
30 N	23003229	SCREW (M3X12)	10	1
31	23002958	NUT (M3)	10	1
33	23003773	NUT M6	10	1
34	23003654	WASHER (M3)	10	1
35	23003955	WASHER	10	1
36	23002400	WASHER	10	1
37	23003767	WASHER BRASS	10	1
40	23001608	WASHER (M8) LU	10	1
41	23002727	WASHER (8) LU	10	1
42	23002325	WASHER	10	1
43	23002728	PIN	10	1
44 N	23002729	HOLDER, COIL	10	1
45	23003666	NUT (M4)	10	1
46	23002398	SCREW (M4X16)	10	1
47	23002730	SEAL	10	1

*Color Code (-)=Not Shown #=Series, Serial Prefix or Run No., N=Not Available

Section: SOAP BOX

Model: MFS80PNDVS

SOAP BOX
(COMPLETE)



CW16-27

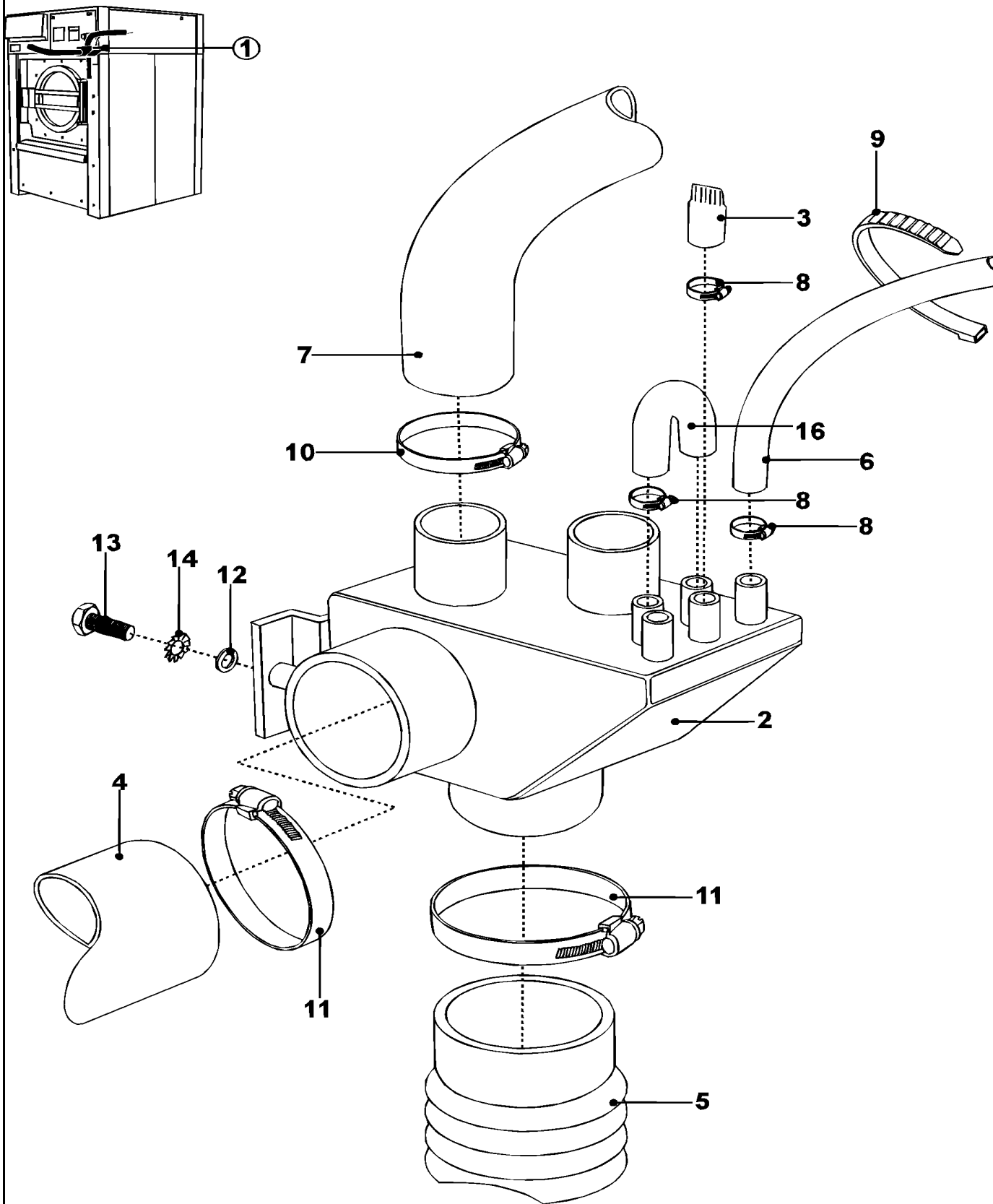
Section: SOAP BOX

No.	Part No.	Description	Series	Qty
1	23003230	SOAP BOX (COMPLETE)	10	1
-	23003956	SOAPHOPPER, CMLPT LOW	10	1
2	23002731	SOAPHOPPER	10	1
3	23003957	SOAPHOPPER, LOCK	10	1
4 N	23002732	OVERSEAL	10	1
-	23003958	OVERSEAL, LOW PREASURE	10	1
5	23002733	COVER, SOAPHOPPER	10	1
6 N	23002734	HOLDER	10	1
7	23002735	INSULATION	10	1
8	23002736	PIN, DOOR	10	1
9	23002737	COVER	10	1
10	23002738	NOZZLE	10	1
11	23002739	NUT	10	1
12 N	23003123	LABEL, SOAP BOX	10	1
13	23002135	CUP, SOAP BOX	10	1
14 N	23002741	PLATE, INDEX	10	1
15	23001566	SWITCH, MAGNETIC	10	1
16	23002742	TUBE, INSULATION	10	1
17 N	23002743	ELBOW	10	1
18	23001682	SCREW (M4X6)	10	1
20	23002422	SCREW (M6 X 12)	10	1
21 N	23002744	SCREW (M6 X 10)	10	1
22 N	23002183	SCREW (M3X10)	10	1
23	23002652	NUT (QTY OF 4 = 1 PIECE)	10	1
24	23002455	NUT, RAPID (M6)	10	1
25	23002958	NUT (M3)	10	1
26	23003666	NUT (M4)	10	1
27	23002129	WASHER (M4)	10	1
28	23002674	SPRING, LOCK WASHER	10	1
29	23002440	WASHER, SPRING LOCK (6)	10	1
30	23003654	WASHER (M3)	10	1
31 N	23002746	WASHER	10	1
32	23002438	WASHER (M6)	10	1
33	23002400	WASHER	10	1
35	23002747	PIN	10	1
37	23002748	SCREW	10	1
38	23003865	LEVER, SAFETY	10	1
39	23002750	SPRING	10	1
40 N	23002392	NUT (M6)	10	1
41	23002471	NUT	10	1
42 N	23003670	NUT (M12)	10	1
43	23003774	WASHER 12	10	1
45	23003231	COVER, SOAP BOX (COMPLETE)	10	1
46	23002751	COVER, INSERT	10	1
47	23001666	SEAL (10X20X1130) LU	10	1
48	23001668	CONTACT, MAGNETIC	10	1
49	23002658	WASHER (12)	10	1

*Color Code (-)=Not Shown #=Series, Serial Prefix or Run No., N=Not Available

Section: MIXING VALVE

Model: MFS80PNDVS



CW21-170

Section: MIXING VALVE

No.	Part No.	Description	Series	Qty
1	23003232	KNOT, MIXING	10	1
2	23002752	MIXER	10	1
3	23001459	LIQUID SOAP, HOSE	10	1
4	23001589	TUBE, SOAP BOX (1=210MM)	10	1
5	23003934	HOSE, RUBBER	10	1
6	23001459	LIQUID SOAP, HOSE	10	1
7	23002755	HOSE	10	1
8	N 23002829	CLAMP (10-16/7.5)	10	1
9	23001720	BINDER, CABLE	10	1
10	23001261	CLAMP, HOSE (32-50)	10	1
11	23001256	CLAMP, HOSE (60-80)	10	1
12	23003774	WASHER 12	10	1
13	23002463	SCREW (M6 X 30)	10	1
14	23002756	WASHER	10	1
16	23001459	LIQUID SOAP, HOSE	10	1

*Color Code (-)=Not Shown #=Series, Serial Prefix or Run No., N=Not Available

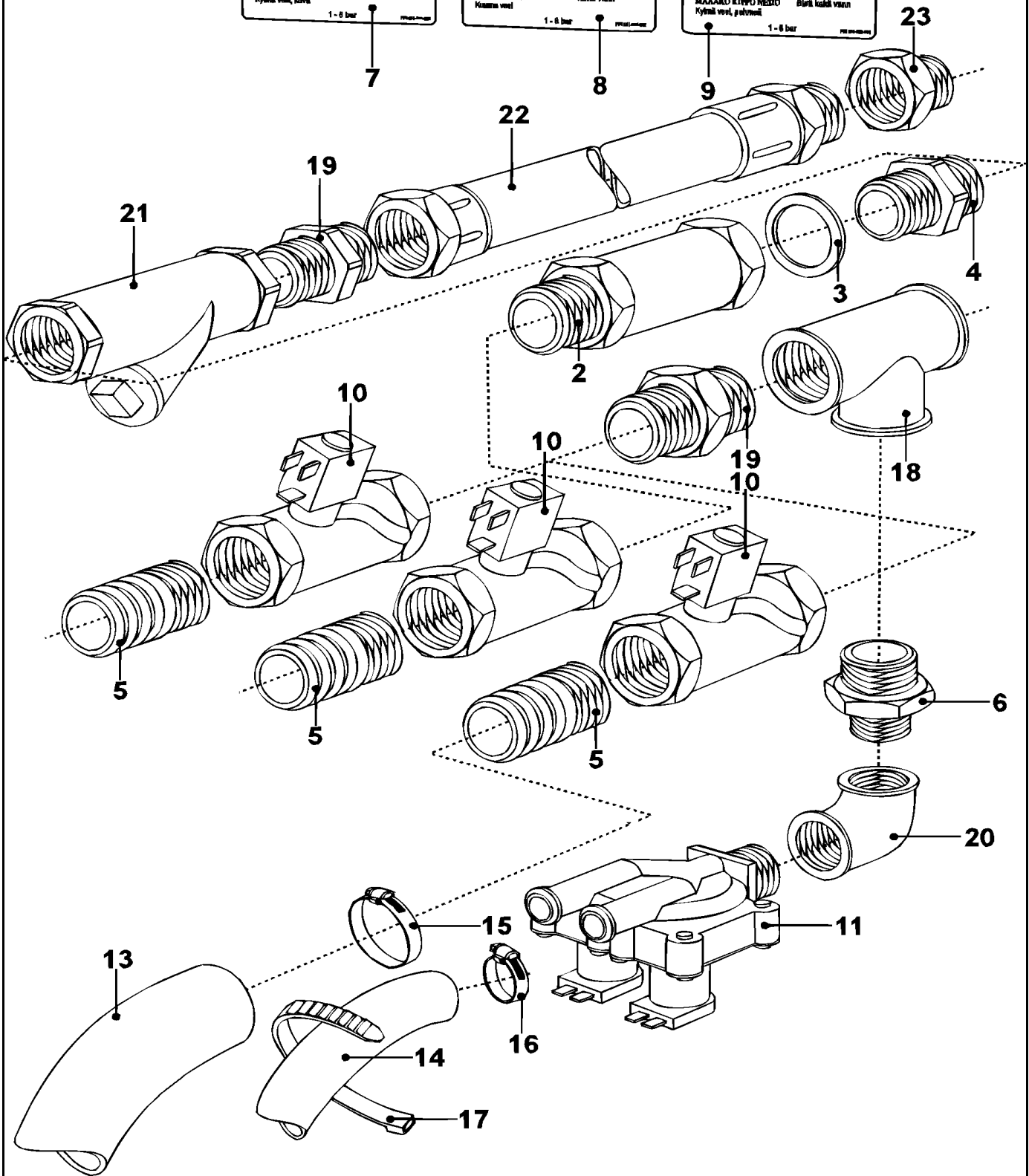
Section: WATER VALVE

Model: MFS80PNDVS

Hard water / kald Cold water / hard Agua fría / dura Aqua freds / durs ЗЛАДНО КИПНО ВЕЩО Kylmää vettä, kovaa	Eau dure / froide Kalles / Weis / har Kaldt / hardt / vand Acqua / fredda / dura Harsh / kaldt / vann
1 - 6 bar	

Warm water / hot Hot water Agua Caliente Agua Quente ЗЕЛТЫЕ ВЕЩО Kuumaa vettä	Eau chaude Warm / Weis / er Varmt / vand Acqua / Calda Varmt / vann
1 - 6 bar	

Zacht water / laud Cold water / soft Agua fría / suave Aqua / freds / dolca МААААРО КИППО ВЕЩО Kylmää vettä, pehmeää	Eau douce / froide Kalles / Weis / er weich Kaldt / blødt / vand Acqua / fredda / dolce Bløtt / kaldt / vann
1 - 6 bar	



CW21-171

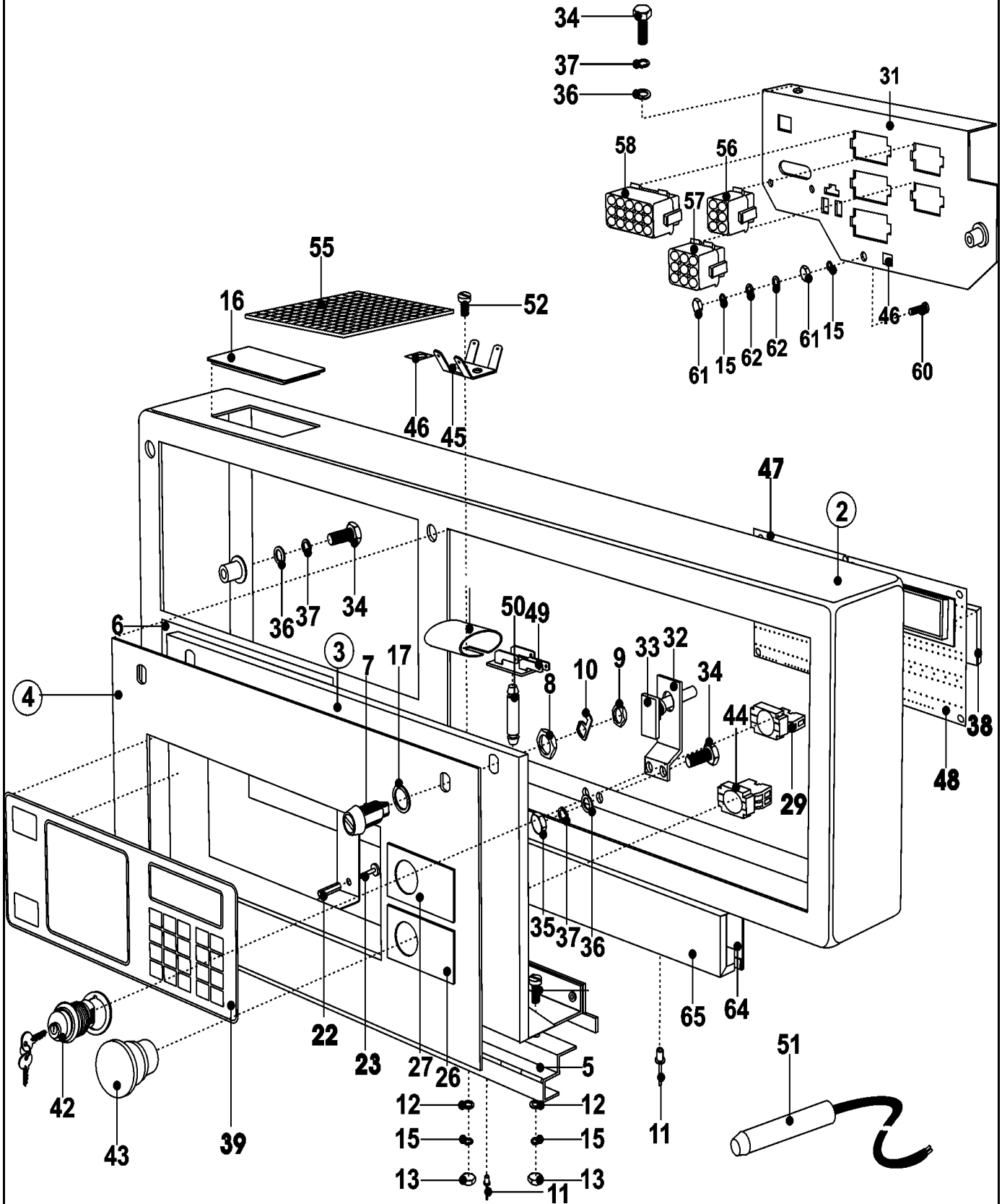
Section: WATER VALVE

No.	Part No.	Description	Series	Qty
2	23002757	EXTENSION	10	1
3	23002758	WASHER	10	1
4	23002759	NIPPLE, PIPE	10	1
5	23002760	ONTUBE	10	3
6	23002761	REDUCER	10	1
7	23001471	STICKER, COLD SOFT WATER	10	1
8	23001469	STICKER, HOT WATER	10	1
9	23001470	STICKER, COLD HARD WATER	10	1
10	23002762	VALVE	10	3
11	23003875	VALVE, 2 WAY	10	1
13	23002755	HOSE	10	1
14	23001507	WATERHOSE (GREEN)	10	1
15	23001261	CLAMP, HOSE (32-50)	10	1
16	23001506	CLAMP, HOSE	10	1
17	23001720	BINDER, CABLE	10	1
18	23002069	T-PART (1")	10	1
19	23002068	NIPPLE (1")	10	1
20	23001756	ELBOW (3/4")	10	1
21	23002156	FILTER	10	1
22	23002057	HOSE, WATER INLET	10	1
23	23001256	CLAMP, HOSE (60-80)	10	1

*Color Code (-)=Not Shown #=Series, Serial Prefix or Run No., N=Not Available

Section: CONTROL PANEL

Model: MFS80PNDVS



CW11-89

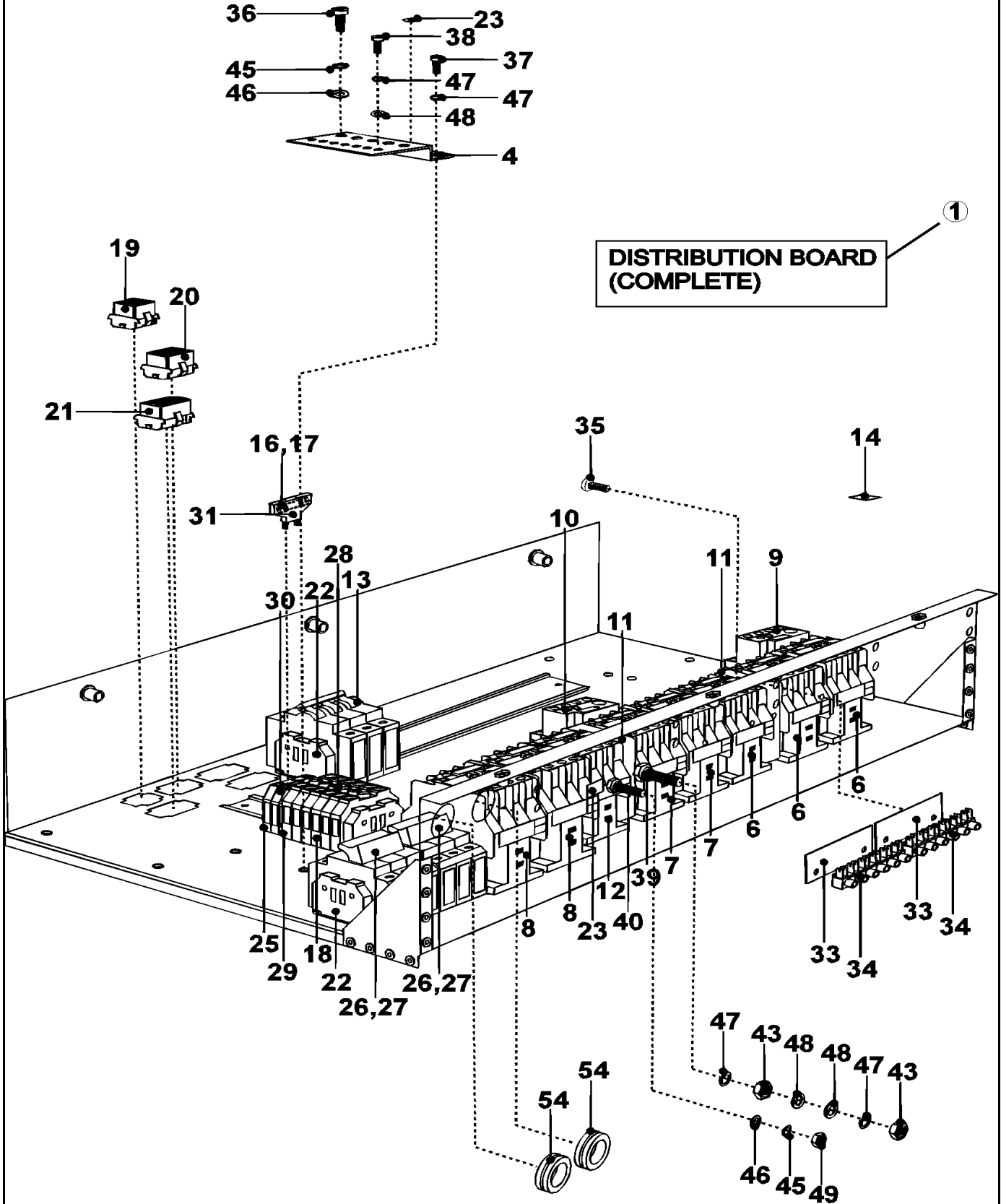
Section: CONTROL PANEL

No.	Part No.	Description	Series	Qty
2	23002763	PANEL, FRONT	10	1
3	23003960	TOP COVER, COMPLETE	10	1
4	23003961	STICKER, COMPLETE	10	1
5	23002766	SUPPORT, PLATE	10	1
6	23003962	PLATE, INDEX	10	1
7	23001583	DEVICE, LOCKING	10	1
8	23001008	LOCK NUT (LARGE)	10	1
9	23001011	NUT	10	1
10	23002451	PAWL	10	1
11	23002408	RIVET W/CRANK	10	1
12	23002438	WASHER (M6)	10	1
13	23003666	NUT (M4)	10	1
14	23002423	SCREW (M4 X 10)	10	1
15	23002400	WASHER	10	1
16	N 23002453	COVER	10	1
17	23001007	WASHER, FIBER	10	1
22	23003873	SLEEVE	10	1
23	23003872	SCREW, THUMB	10	1
26	23003870	LABEL, STOP	10	1
27	23003869	LABEL, RUN	10	1
29	23001076	CONTRACT BLOCK (NO)	10	1
31	23003963	BOARD, COMPLETE	10	1
32	23002774	HOLDER, VIBRATION SWITCH	10	1
33	23002775	SWITCH, VIBRATION	10	1
34	N 23002744	SCREW (M6 X 10)	10	1
35	23003773	NUT M6	10	1
36	23003774	WASHER 12	10	1
37	23002440	WASHER, SPRING LOCK (6)	10	1
38	23003822	MICROPROCESSOR CHIP(MCB40)	10	1
39	23003821	KEYBOARD	10	1
39	23003890	KEYBOARD FULL CONTROL	10	1
42	23001082	BLOCK, PROGRAMMING KEY	10	1
43	23001078	EMERGENCY STOP	10	1
44	23001075	EMERGENCY BLOC (W/LAMP)	10	1
45	N 23002777	CONTACT (6.3 TYPE 140609-0)	10	1
46	23002505	PLATE, EARTH	10	1
47	23003819	POWER BOARD	10	1
48	23003820	MICROPROCESSOR CONTROL(MCB40LU	10	1
49	23001094	BRIDGE, RECTIFIER	10	1
50	23001099	PC BOARD SOCKET	10	1
51	23003964	SENSOR, TEMPERATURE	10	1
52	23001609	SCREW (M4X12)	10	1
55	23003874	INDEX PLATES	10	1
56	23001723	BOARD, TERMINAL (AMP 6 POLES)	10	1
57	23001722	BOARD, TERMINAL (AMP 9 POLES)	10	1
58	23001721	BOARD, TERMINAL (AMP 15 POLES)	10	1
60	23002778	SCREW (M4 X 12)	10	1
61	23002976	NUT (M4)	10	1
62	23002976	NUT (M4)	10	1
64	N 511231	PILOT VALVE-L	10	1
65	23003966	COVER, TOP FRONT	10	1
66	23003967	TUBE, INSULATION	10	1

*Color Code (-)=Not Shown #=Series, Serial Prefix or Run No., N=Not Available

Section: ELECTRICAL COMPONENTS

Model: MFS80PNDVS



CW21-172

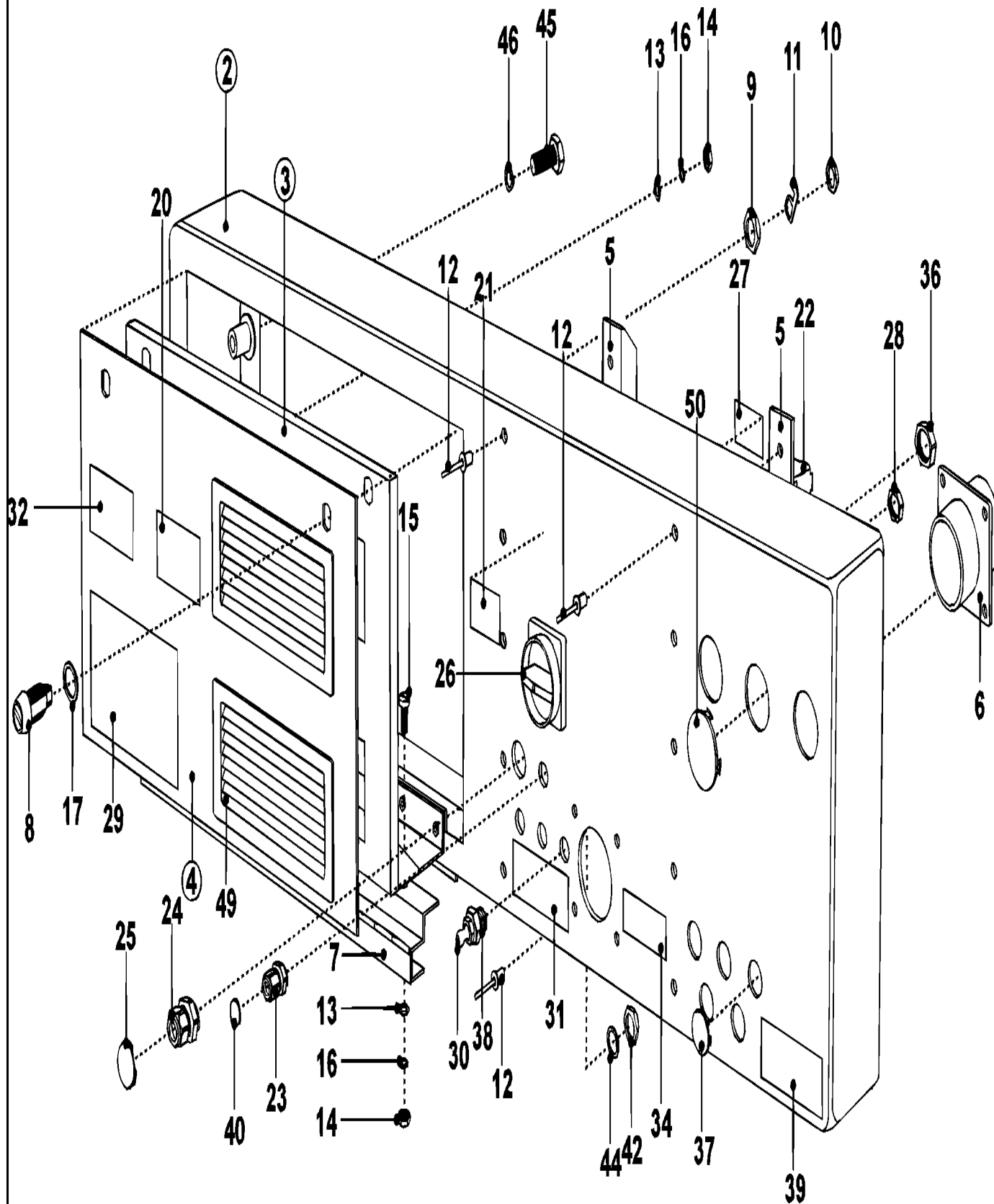
Section: ELECTRICAL COMPONENTS

No.	Part No.	Description	Series	Qty
1	23003235	BOARD, DISTRIBUTION (COMPLETE)	10	1
4	23002099	CUBE, EARTH	10	1
-	23002796	CONTACTOR (LC1-D1810 M7)	10	1
6	23001101	CONTACTOR (LC1-D1201 M7)	10	1
7	23001102	CONTACTOR (LC1-D1801 M7)	10	1
8	23001103	CONTACTOR (LC1-D3201 M7)	10	1
9	23001108	RELAY, THERMAL OVERLOAD (7-10A)	10	1
10	23002105	RELAY, OVERLOAD (LR2-D1322)	10	1
11	23001119	MECHANICAL INTERLOCK, CONTACTO	10	1
13	23001119	MECHANICAL INTERLOCK, CONTACTO	10	1
14	23003236	PLATE, INDEX	10	1
16	23002918	FUSE (1A)	10	1
17	23003385	FUSE 1A 6X32	10	1
18	23002797	CLAMP	10	1
19	23001722	BOARD, TERMINAL (AMP 9 POLES)	10	1
20	23002798	BOARD, TERMINAL (12 POLE)	10	1
21	23001721	BOARD, TERMINAL (AMP 15 POLES)	10	1
22	23002799	STOP END	10	1
23	23002505	PLATE, EARTH	10	1
- N	23002800	COVER (VAST4-4)	10	1
25	23002803	BRIDGE (19.116.217-02)	10	1
26	23003158	FUSE, DISCONNECTER	10	1
27	23002802	DISCONNECTOR, FUSE (PV10GG32A)	10	1
28	23002803	BRIDGE (19.116.217-02)	10	1
29	23003238	COVER	10	1
30	23003239	CLAMP, FUSE PLUG	10	1
31	23003240	PLUG, FUSE	10	1
33	23003970	LABEL, TERMINAL BOARD	10	1
34	23002154	BOARD, TERMINAL (6 POLES)	10	1
35	23001609	SCREW (M4X12)	10	1
36 N	23002804	SCREW (M4 X 10)	10	1
37	23002805	SCREW (M4 X 16)	10	1
38	23001733	SCREW (M6X10)	10	1
39	23002806	SCREW (M6 X 25)	10	1
40 N	23002807	SCREW (M4 X 20)	10	1
42 N	23002809	SCREW (ST4.2 X 13)	10	1
43	23002651	NUT (M6)	10	1
45	23002400	WASHER	10	1
46	23002725	WASHER (3)	10	1
47	23002440	WASHER, SPRING LOCK (6)	10	1
48	23002726	WASHER (6)	10	1
49	23003666	NUT (M4)	10	1
54 N	23001742	PASSAGE, CABLE (22X2)	10	1

*Color Code (-)=Not Shown #=Series, Serial Prefix or Run No., N=Not Available

Section: REAR PANEL

Model: MFS80PNDVS



CW22-02

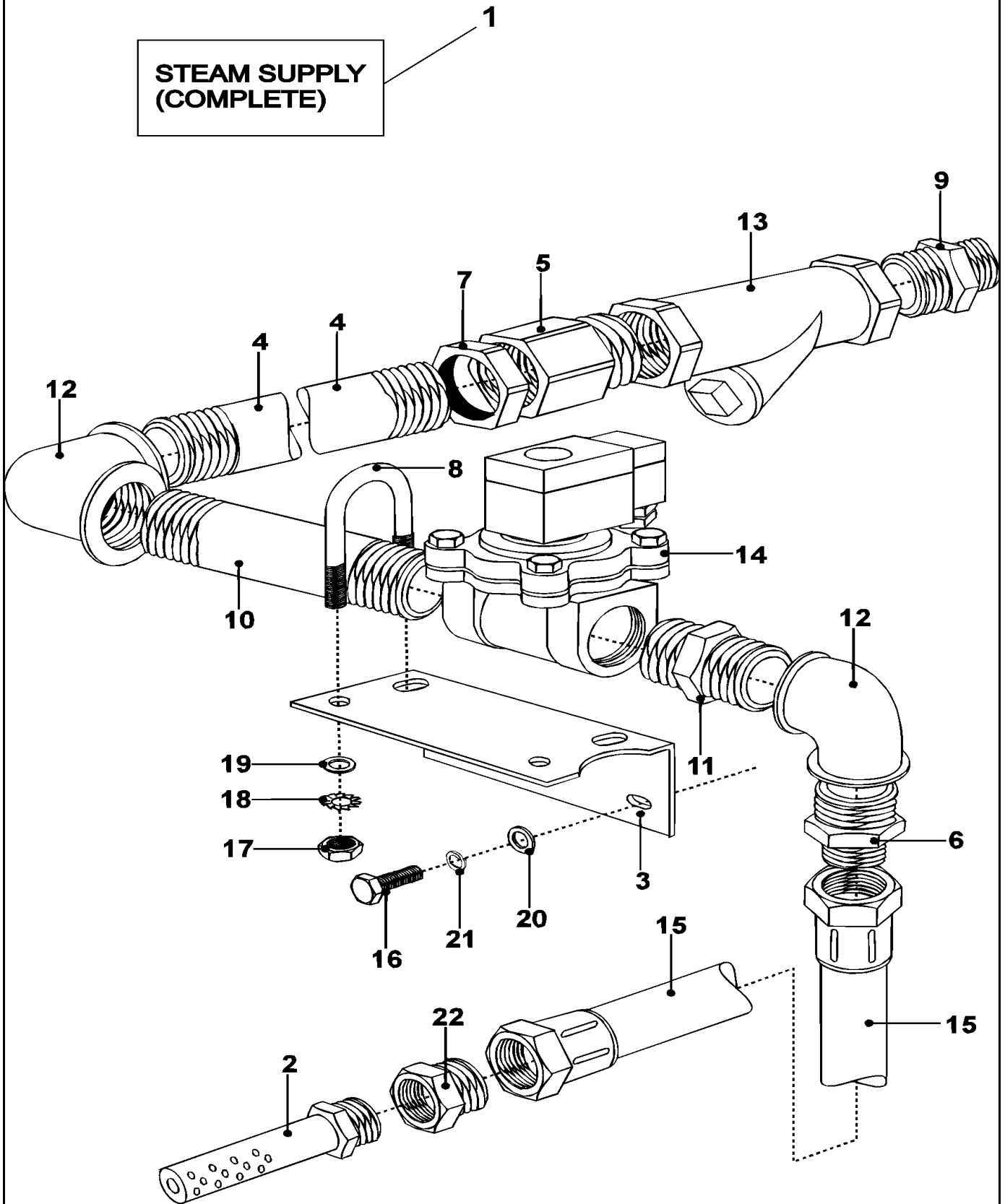
Section: REAR PANEL

No.	Part No.	Description	Series	Qty
2	23002783	PANEL, REAR	10	1
3	23002784	COVER, REAR PANEL	10	1
4	23002785	PLATE, PANEL COVER	10	1
5	23002786	FRAME, PUMPS	10	1
6	23002787	VENT, REAR PANEL	10	1
7	23002766	SUPPORT, PLATE	10	1
8	23001583	DEVICE, LOCKING	10	1
9	23001008	LOCK NUT (LARGE)	10	1
10	23001011	NUT	10	1
11	23002451	PAWL	10	1
12	N 23002467	RIVET/CRANK (4 X 7.5)	10	1
13	23002438	WASHER (M6)	10	1
14	23003666	NUT (M4)	10	1
15	23002423	SCREW (M4 X 10)	10	1
16	23002400	WASHER	10	1
17	23001007	WASHER, FIBER	10	1
20	23003390	INDEX PLATE "FLASH"	10	1
21	N 23001745	LABEL (WARNING)	10	1
22	23003502	SWITCH, MAIN (63A)	10	1
23	23002196	SWIVEL, CABLE	10	1
24	N 23002378	SWIVEL, CABLE	10	1
25	N 23002150	BLIND, UNIVERSAL	10	1
26	23003497	KNOB	10	1
27	N 23002148	LABEL, WARNING EL. TENSION	10	1
28	23002197	NUT	10	1
29	23001550	LABEL, EARTH	10	1
30	23002788	HEAD, GREASING	10	1
31	23002793	PLATE (GREASING)	10	1
32	23001465	STICKER, ELECTRICITY WARNING	10	1
34	23002053	LABEL, WARNING VENT OUT	10	1
36	N 23002379	NUT	10	1
37	N 23002794	PLUG (13)	10	1
38	N 23002790	SLEEVE, REDUCING	10	1
39	23003971	LABEL, LIQUID SOAP	10	1
40	23002243	PLUG, UNIVERSAL	10	1

*Color Code (-)=Not Shown #=Series, Serial Prefix or Run No., N=Not Available

Section: STEAM HOSES

Model: MFS80PNDVS



CW21-173

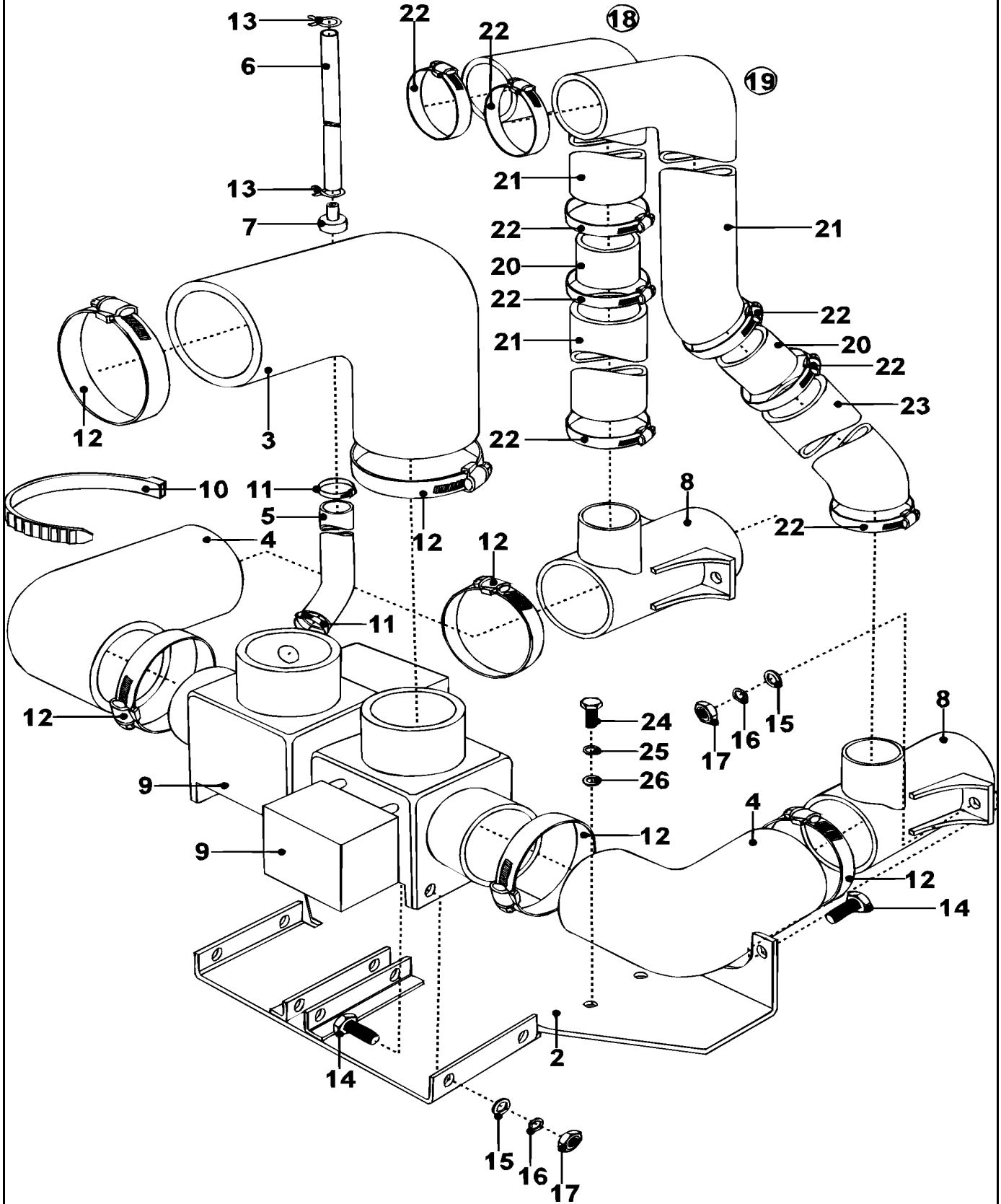
Section: STEAM HOSES

No.	Part No.	Description	Series	Qty
1	23003241	SUPPLY, STEAM	10	1
2	23002811	PIPE, STEAM	10	1
3	23003242	HOLDER	10	1
4	23002813	PIPE (2)	10	1
5	23002814	EXTENSION	10	1
6	23002815	REDUCER (2)	10	1
7	23002816	NUT	10	1
8	23002433	HOLDER	10	1
9	23002761	REDUCER	10	1
10	23002817	PIPE	10	1
11	23001482	NIPPLE (3/4" PIPE THREAD)	10	1
12	23001756	ELBOW (3/4")	10	1
13	23002818	PIPE (PROTECTIVE FILTER 1")	10	1
14	23002819	VALVE, STEAM (3/4")	10	1
15	23002820	HOSE, STEAM	10	1
16	23002475	BOLT (M8X20)	10	1
17	23003773	NUT M6	10	1
18	23002440	WASHER, SPRING LOCK (6)	10	1
19	23003774	WASHER 12	10	1
20	23003769	WASHER M8	10	1
21	23002439	WASHER, SPRING LOCK (8)	10	1
22	23002821	REDUCER (1)	10	1

*Color Code (-)=Not Shown #=Series, Serial Prefix or Run No., N=Not Available

Section: DRAIN VALVE

Model: MFS80PNDVS



CW21-174

Section: DRAIN VALVE

No.	Part No.	Description	Series	Qty
2	23003243	BOARD, DRAIN (COMPLETE)	10	1
3	23003244	ELBOW, 90 DEGREE	10	1
4	23003245	ELBOW, 90 DEGREE	10	1
5	23001762	ELBOW	10	1
6	23001252	HOSE, WATER LEVEL SWITCH	10	1
7	23001260	BUSHING, AIR DOME HOSE	10	1
8	23001253	DRAIN TEE	10	1
9	23001244	VALVE, DRAIN (240V-50/60HZ)	10	1
10	23001720	BINDER, CABLE	10	1
11	23001262	CLAMP, HOSE (20-32)	10	1
12	23001258	CLAMP, HOSE (70-90)	10	1
13	23001257	CLAMP, CORBIN (A5.5)	10	1
14	23002475	BOLT (M8X20)	10	1
15	23003769	WASHER M8	10	1
16	23002439	WASHER, SPRING LOCK (8)	10	1
17	23003766	NUT M8	10	1
18	23002824	HOSE, DIRECT	10	1
19	23003246	HOSE, BENDED	10	1
20	23002826	PIPE (40)	10	1
21	23001760	HOSE, OVERFLOW	10	1
22	23001750	RING, CLAMP (40-60)	10	1
23	23001251	HOSE, OVERFLOW	10	1
24	23002461	SCREW (M6 X16)	10	1
25	23002440	WASHER, SPRING LOCK (6)	10	1
26	23003774	WASHER 12	10	1

*Color Code (-)=Not Shown #=Series, Serial Prefix or Run No., N=Not Available

