

PARTS LIST

for

MAYTAG[®]

**COMMERCIAL
AUTOMATIC WASHER**

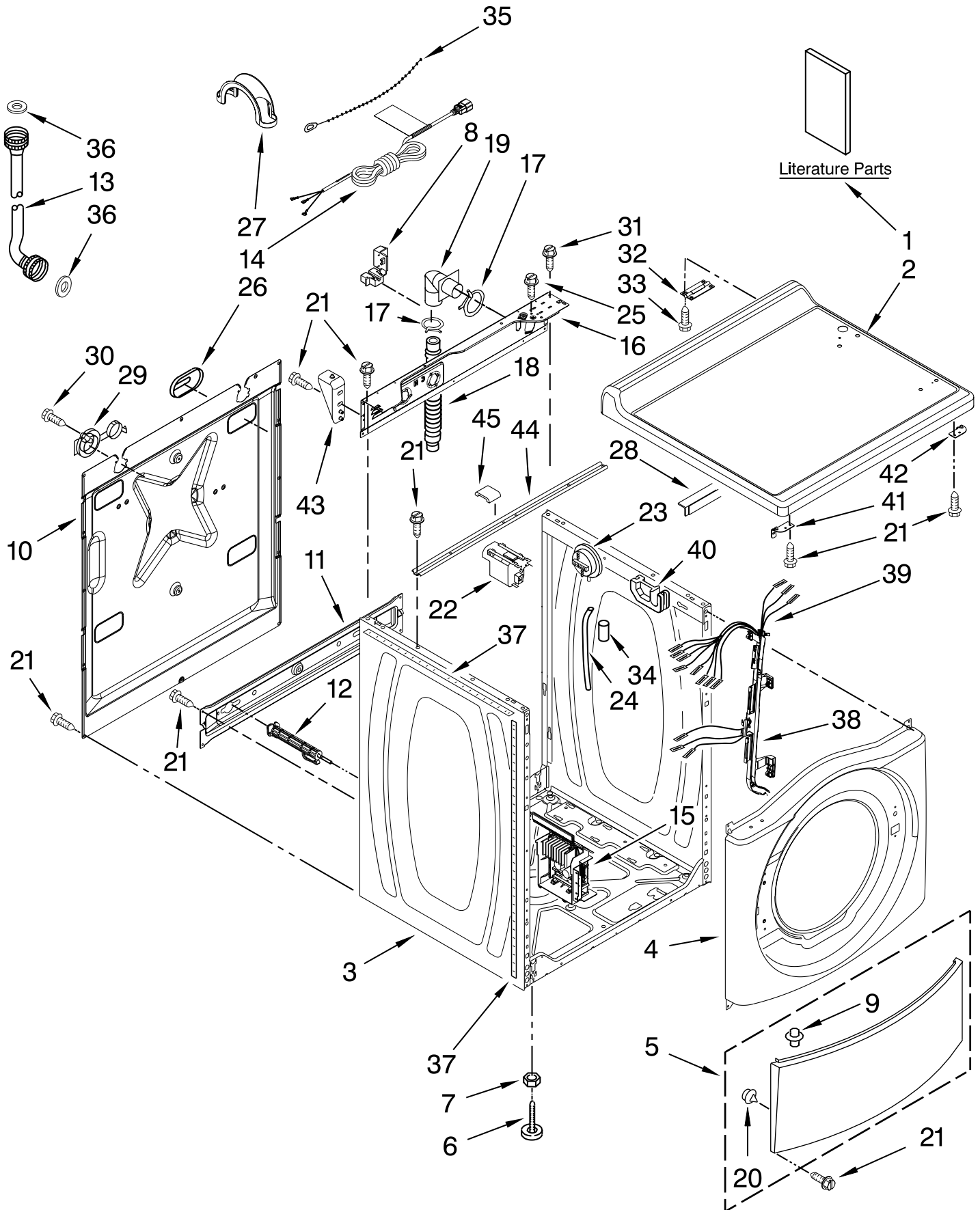
MODEL NO.(S)

MHN30PDAGW0

TOP AND CABINET PARTS

For Model: MHN30PDAGW0

(White)



FOR ORDERING INFORMATION REFER TO PARTS PRICE LIST

TOP AND CABINET PARTS

For Model: MHN30PDAGW0

(White)

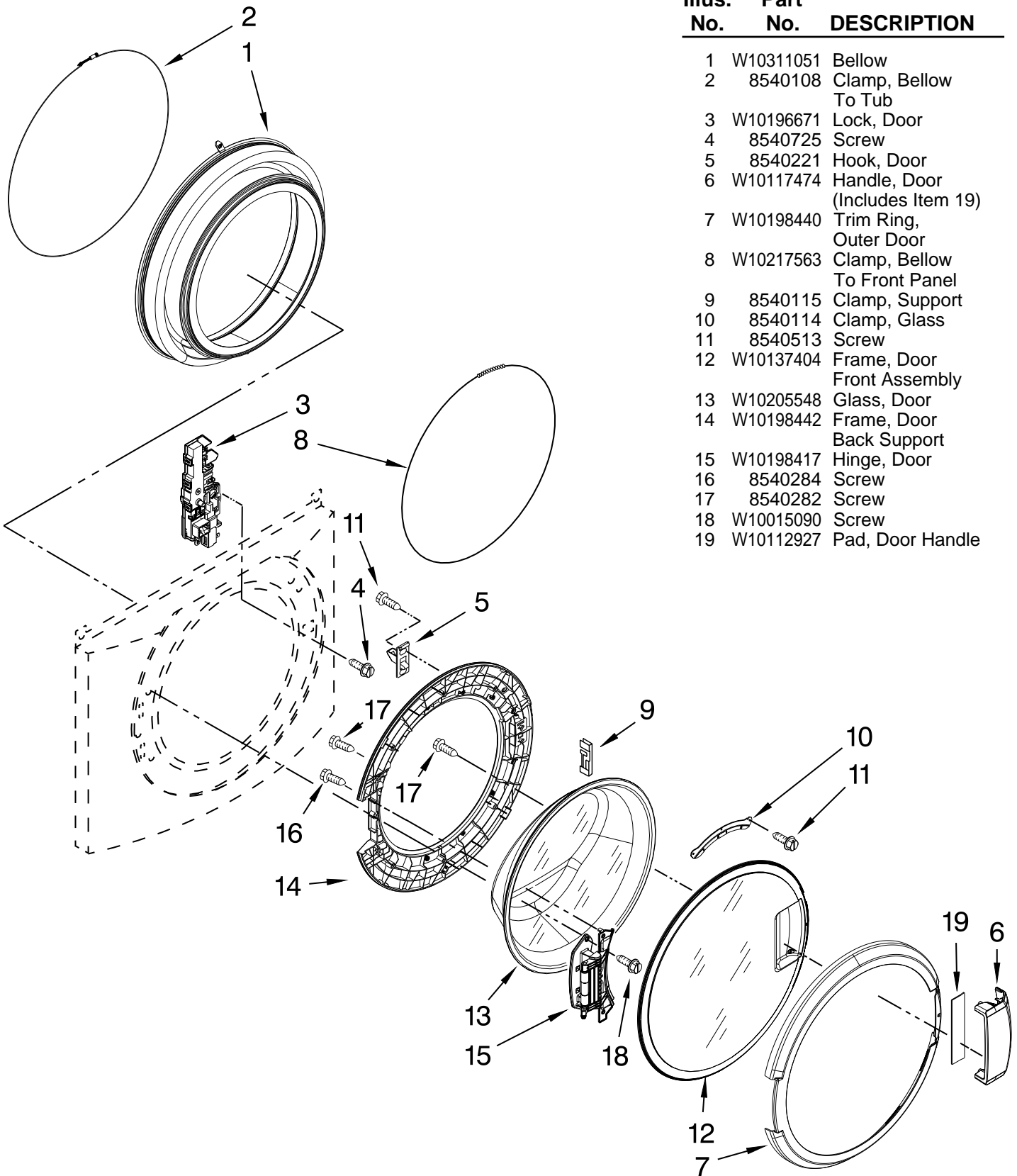
Illus. No.	Part No.	DESCRIPTION	Illus. No.	Part No.	DESCRIPTION	Illus. No.	Part No.	DESCRIPTION
1		Literature Parts	14	W10045597	Cord, Power	34	2161302	Sleeve, Pressure
	W10340714	Installation			(Parts Not Shown)			Switch Hose
		Instructions		W10153836	10A Cord Lock	35	3347868	Cable Tie
	W10340715	User Instructions			10A Cord Adapters:	36	3976300	Washer, Water
		Tech Sheet		W10223804	Australian			Inlet Hose
	W10340707	English		W10223807	British			1-1/16 x 5/8
	W10340709	French		W10223809	European	37	8318396	Seal, Foam-IEC
	W10340713	Repair Parts List	15	W10385821	Motor Control Unit	38	W10168546	Harness Channel, Side Front
2	W10137411	Top	16	W10244560	Brace, Rear	39	W10330592	Harness, Wiring
3	W10225458	Cabinet	17	356138	Clamp, Hose			(Lower Main)
4	W10306505	Panel, Front	18	W10106460	Hose, Drain- Outer			Includes Item 38
5	8540813	Toe Panel	19	W10003260	Connector, Hose Outlet			And The Following
6	W10245373	Foot, Leveling	20	238614	Bumper			Cable Sets:
7	3359452	Nut, Lock	21	W10015090	Screw, 8-18 x 5/8		W10200773	(Not Illustrated)
8	W10110676	Strain Relief, Power Cord	22	W10398805	Filter, Interference			CCU To MCU - Power
9	8518891	Rivet	23	W10292407	Switch, Pressure		W10330605	(2 Pole)
10	W10258342	Panel, Rear	24	8540294	Hose, Pressure Switch			CCU TO MCU-Serial
11	W10189659	Brace, Transport	25	8540479	Screw, Grounding		W10200775	Communication
12	W10251449	Bolt, Shipping	26	8540268	Cover, Transport	40	8540643	(3 Pole)
13		Hose, Water Inlet	27	8577378	U-Bend, Drain Hose			Door Lock - Power
	W10276793	Cold Water	28	W10279059	Angle, Support-Top	41	W10137445	Bracket, Spring
	W10276795	Hot Water	29	8540728	Sleeve, Cord Support	42	W10137444	Bracket - Top
			30	8540727	Screw, 3 x 8 mm			Panel, Left
			31	8540329	Screw	43	W10137398	Bracket - Top
			32	8565018	Hinge & Pin Assembly	44	8540721	Panel, Right
			33	342055	Screw, 8-18 X 1/2	45	8283273	Stop - Top Panel
								Brace, Top
								Damper, Brace

DOOR AND LATCH PARTS

For Model: MHN30PDAGW0

(White)

Illus. No.	Part No.	DESCRIPTION
1	W10311051	Bellow
2	8540108	Clamp, Bellow To Tub
3	W10196671	Lock, Door
4	8540725	Screw
5	8540221	Hook, Door
6	W10117474	Handle, Door (Includes Item 19)
7	W10198440	Trim Ring, Outer Door
8	W10217563	Clamp, Bellow To Front Panel
9	8540115	Clamp, Support
10	8540114	Clamp, Glass
11	8540513	Screw
12	W10137404	Frame, Door Front Assembly
13	W10205548	Glass, Door
14	W10198442	Frame, Door Back Support
15	W10198417	Hinge, Door
16	8540284	Screw
17	8540282	Screw
18	W10015090	Screw
19	W10112927	Pad, Door Handle

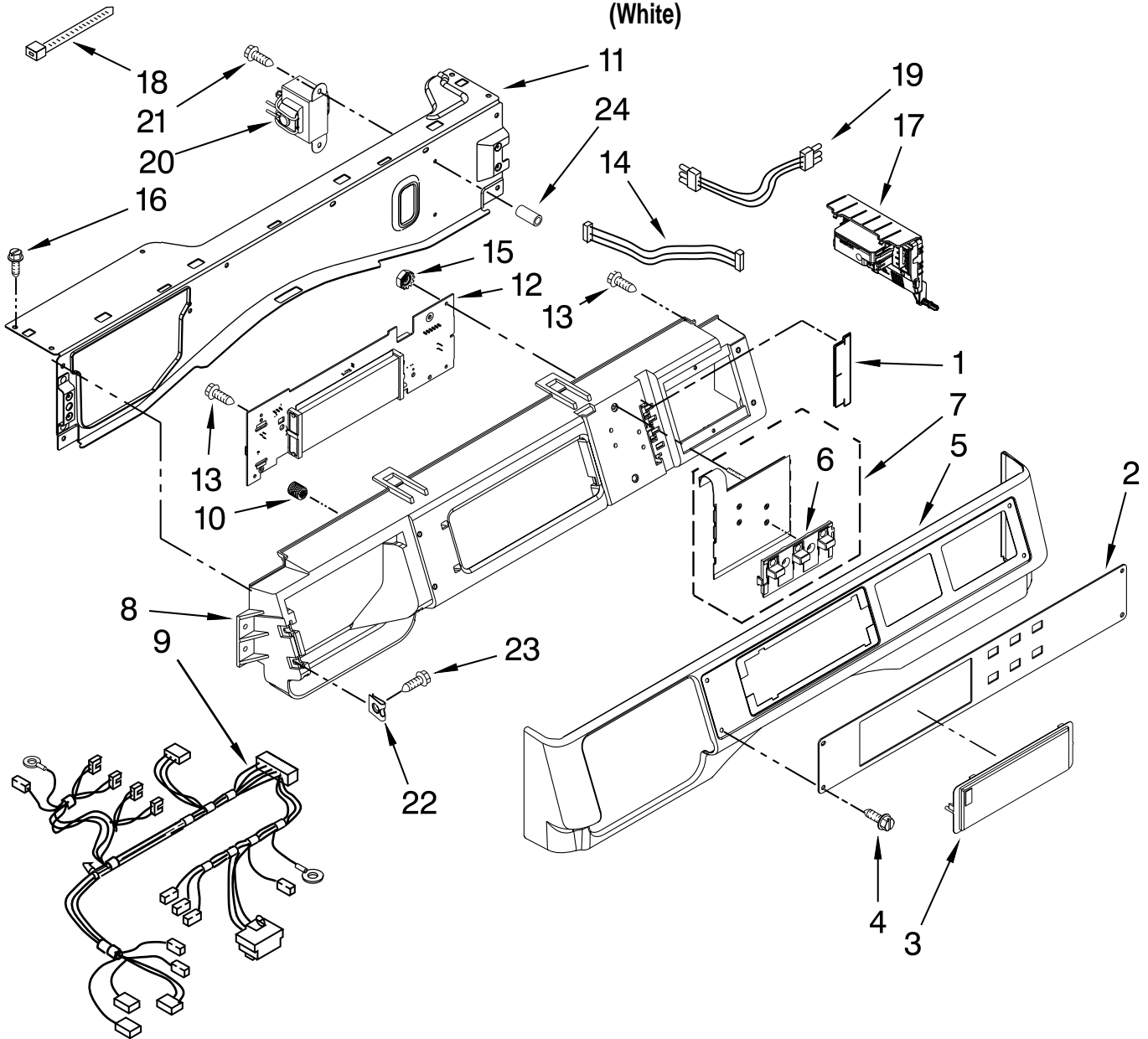


FOR ORDERING INFORMATION REFER TO PARTS PRICE LIST

CONTROL PANEL PARTS

For Model: MHN30PDAGW0

(White)



Illus. No.	Part No.	DESCRIPTION
------------	----------	-------------

- | | | |
|---|-----------|-------------------------------|
| 1 | W10187276 | Seal, Console |
| 2 | W10313105 | Facia / Overlay |
| 3 | W10267645 | Cover, Display |
| 4 | W10137457 | Screw, 8-32 X 1/2 |
| 5 | W10137458 | Console, Outer |
| 6 | W10131113 | Push Button |
| 7 | W10135389 | Push Button & Switch Assembly |
| 8 | W10137426 | Console, Inner |

Illus. No.	Part No.	DESCRIPTION
------------	----------	-------------

- | | | |
|----|-----------|---------------------------------|
| 9 | W10340888 | Harness, Wiring (Upper Main) |
| | W10200793 | Coin Drop To CCU (4 Pole) |
| | W10340897 | CCU To Cold Fill Valve (4 Pole) |
| | W10340898 | CCU To Hot Fill Valve (2 Pole) |
| 10 | W10189313 | Insert |
| 11 | W10294428 | Bracket, Console |
| 12 | W10311189 | User Interface |

Illus. No.	Part No.	DESCRIPTION
------------	----------	-------------

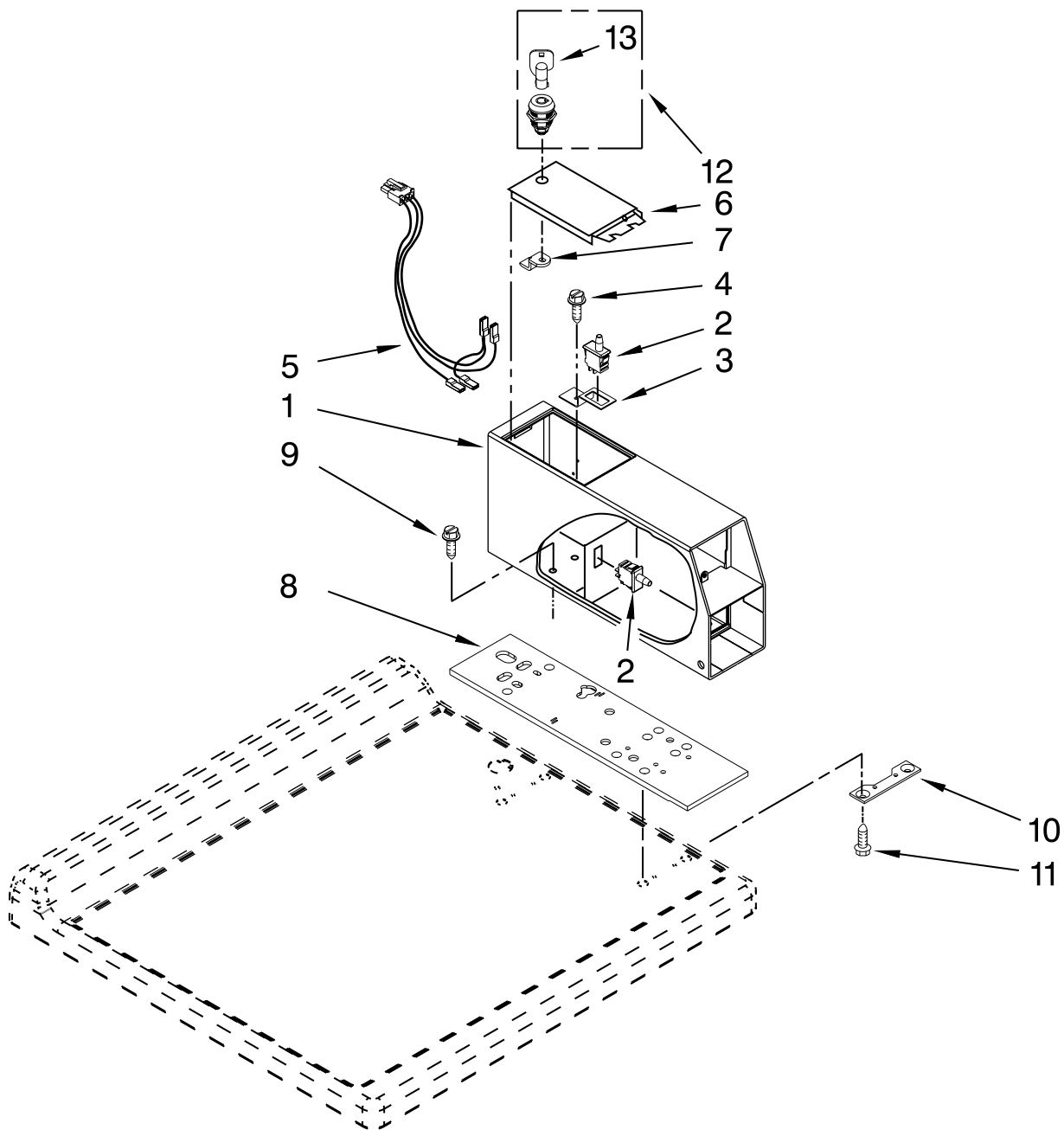
- | | | |
|----|-----------|--------------------------------|
| 13 | 489136 | Screw, 3-24 X 3/8 |
| 14 | W10155150 | Harness, Test |
| 15 | W10139046 | Nut 6-32 |
| 16 | W10015090 | Screw, 8-18 X 5/8 |
| 17 | W10340566 | Microcomputer, Machine Control |
| 18 | 3429563 | Cable Tie |
| 19 | W10330606 | Harness, Wiring (Console UIC) |
| 20 | W10205520 | Transformer, 240 To 22.5 VAC |
| 21 | 8540329 | Screw, 8-18 X 7/16 |
| 22 | 9781235 | Nut, U-Type |
| 23 | W10131119 | Screw, 8-18 x 1/2 |
| 24 | W10018050 | CAPLUG |

FOR ORDERING INFORMATION REFER TO PARTS PRICE LIST

METER CASE PARTS

For Model: MHN30PDAGW0

(White)



Illus. No.	Part No.	DESCRIPTION
1	W10171128	Meter Case
2	W10131838	Switch – Vault & Service Door
3	W10133508	Bracket, Service Switch
4	W10139210	Screw, 8–18 x 5/16
5	W10139456	Wire Harness, Sensor Switch

Illus. No.	Part No.	DESCRIPTION
6	3351136	Service Door Assembly
7	W10145154	Cam – Lock
8	W10137448	Cushion, Meter Case
9	3349065	Screw, 5/16–24 x 1
10	3347825	Plate, Meter Case Mounting

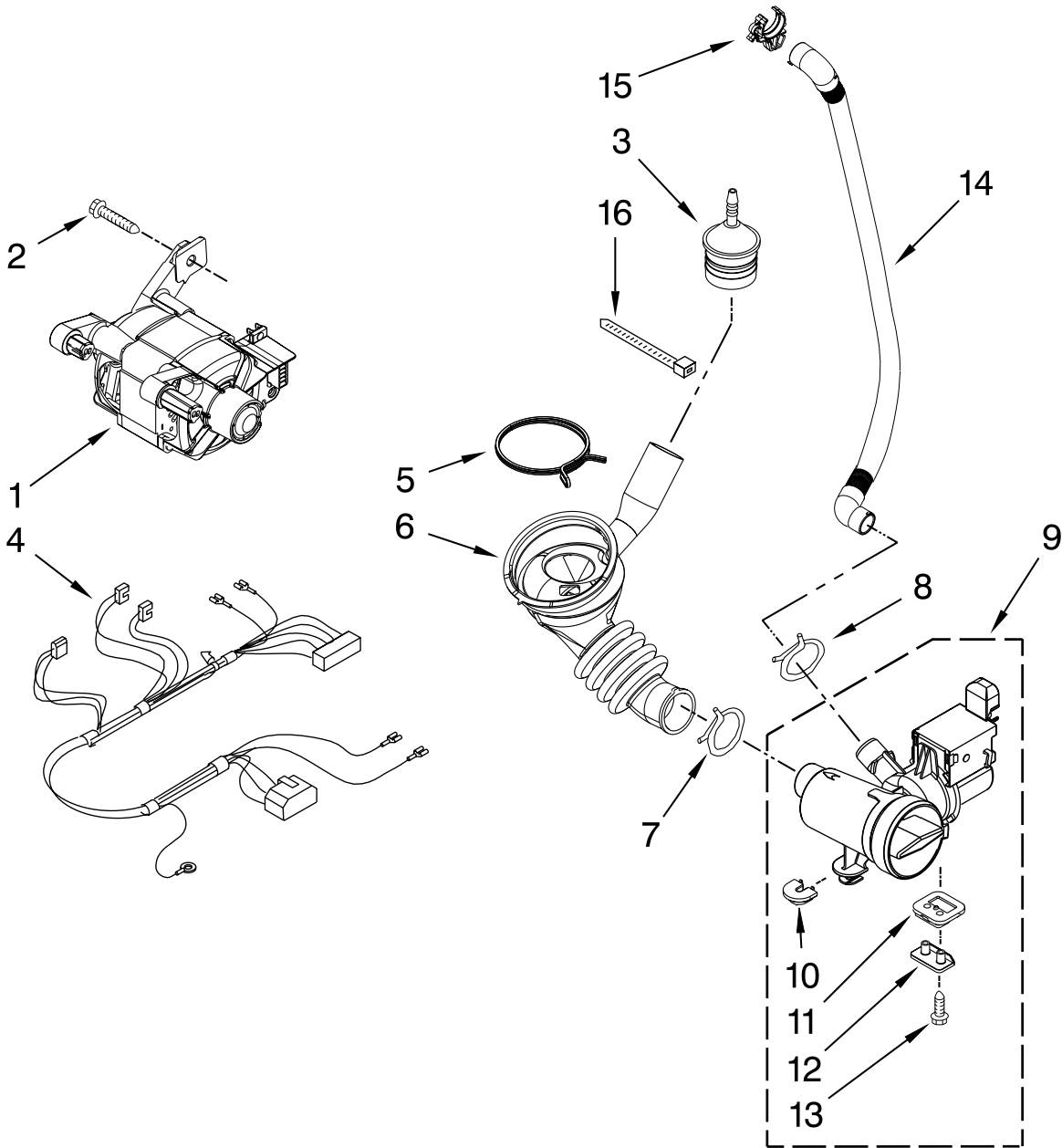
Illus. No.	Part No.	DESCRIPTION
11	98445	Screw, 10–16 x 3/4
12	W10116737	Lock Assembly, Service Door (Not Included With All Models)
13	W10140858	Key (Not Included With All Models)

FOR ORDERING INFORMATION REFER TO PARTS PRICE LIST

PUMP AND MOTOR PARTS

For Model: MHN30PDAGW0

(White)



Illus. No.	Part No.	DESCRIPTION
1	W10171927	Motor, Drive
2	8540134	Bolt, Motor
3	8540180	Air Trap (Includes Item 18)
4	W10364668	Harness, Motor
5	W10273037	Clamp
6	8540012	Hose, Tub to Pump

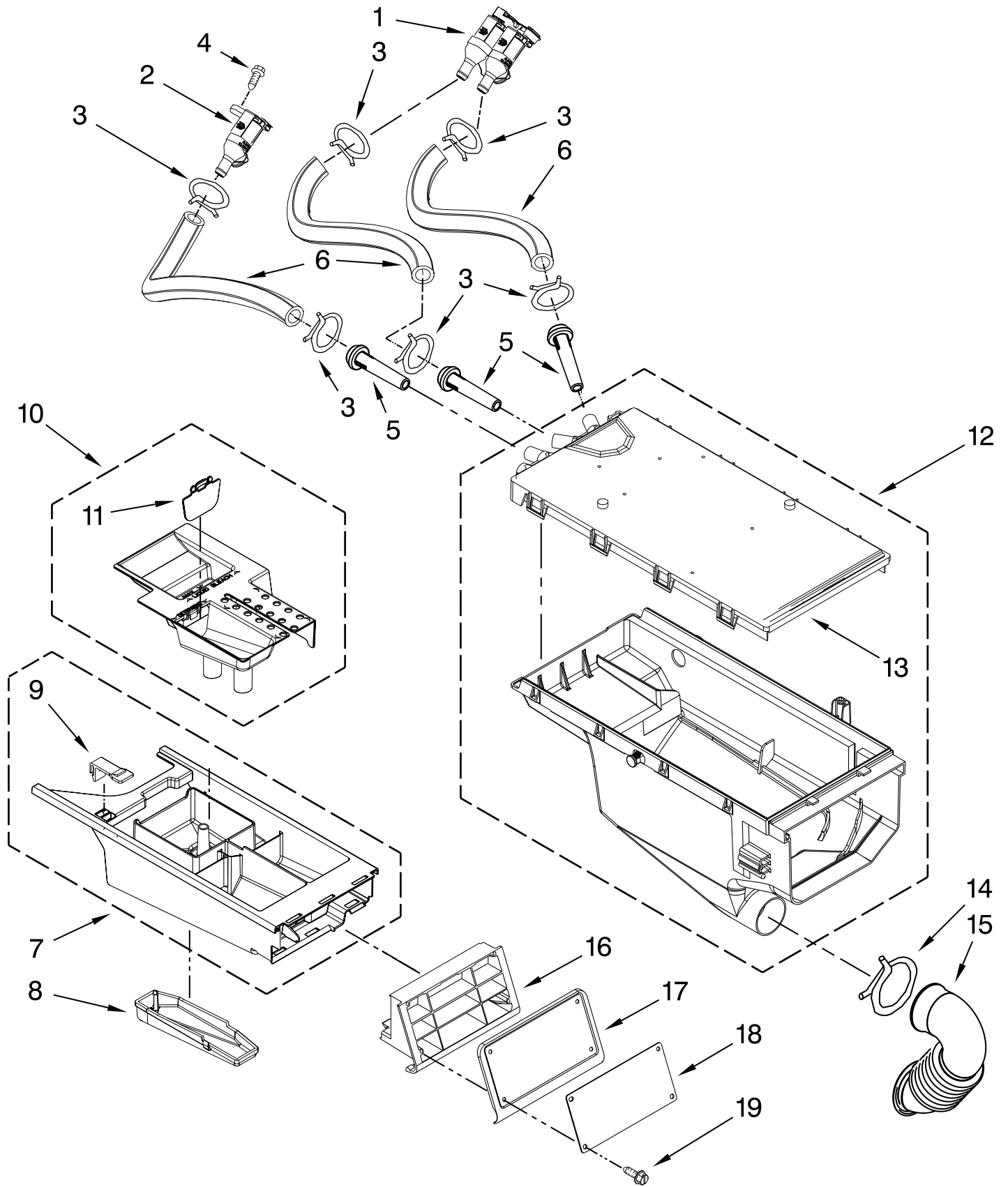
Illus. No.	Part No.	DESCRIPTION
7	W10273036	Clamp, Hose
8	356138	Clamp, Drain Hose
9	W10183441	Pump (Complete)
10	W10191886	Foot, Rubber (Slider)
11	W10191880	Foot, Rubber (Lock)
12	W10190649	Cap, Lock Foot

Illus. No.	Part No.	DESCRIPTION
13	W10167905	Screw, 10-16 x 1.25
14	W10272563	Hose, Drain- Inner
15	W10003290	Retainer, Drain Hose
16	2262071	Cable Tie

FOR ORDERING INFORMATION REFER TO PARTS PRICE LIST

DISPENSER PARTS

For Model: MHN30PDAGW0
(White)



FOR ORDERING INFORMATION REFER TO PARTS PRICE LIST

DISPENSER PARTS

For Model: MHN30PDAGW0

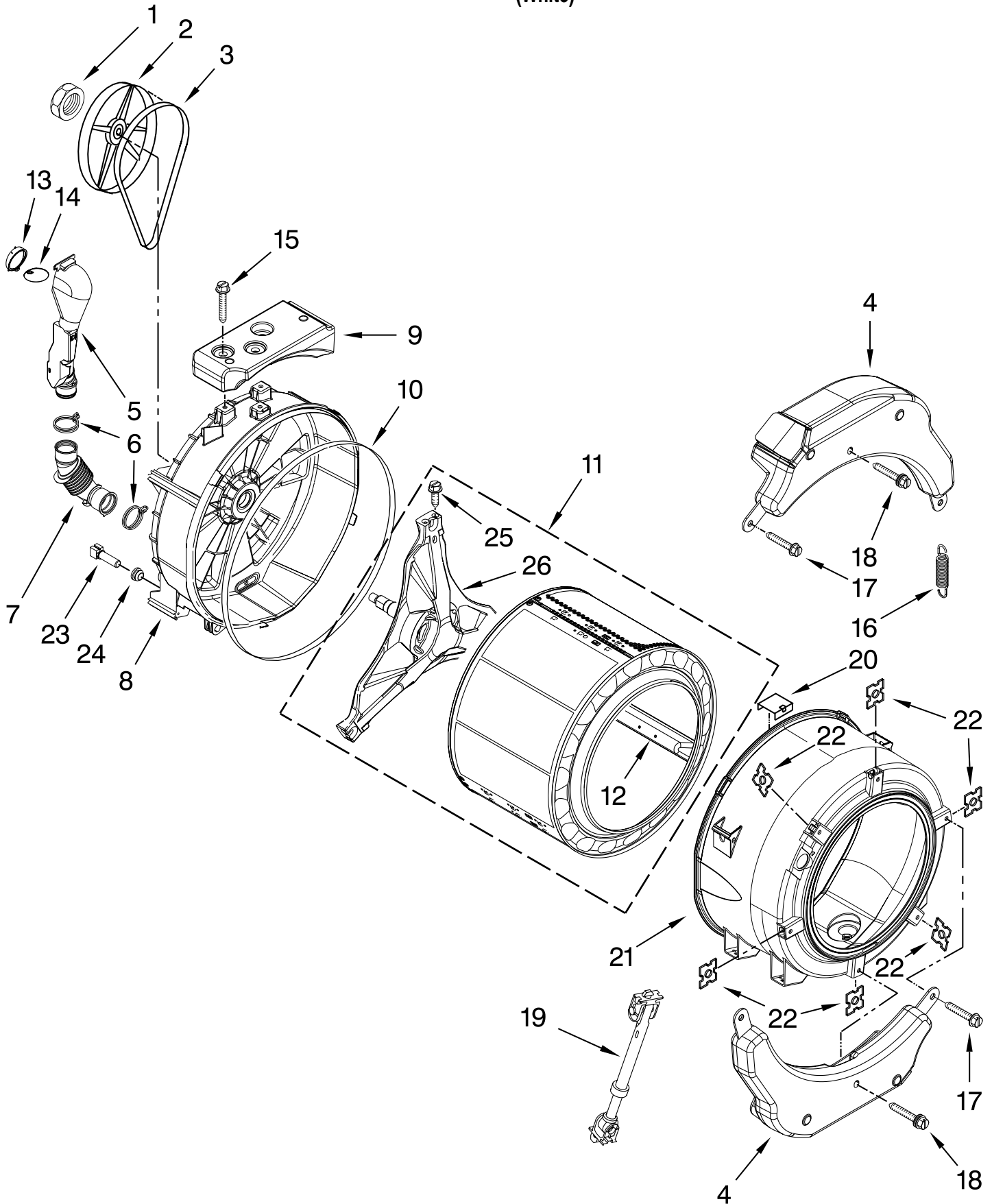
(White)

Illus. No.	Part No.	DESCRIPTION
1	W10316929	Valve, Water Inlet (Double)
2	W10316932	Valve, Water Inlet (Single)
3	W10096852	Clamp, Hose
4	8540282	Screw
5	8183181	Nozzle, Inlet
6	W10212611	Hose, Valve To Dispenser
7	W10376660	Drawer, Detergent
8	8540399	Cover, Detergent Drawer
9	W10198458	Tab, Drawer Release
10	W10275869	Siphon, Bleach/Softener
11	W10298953	Door, Living Hinge
12	W10212603	Dispenser, Outer Housing
13	W10212604	Plate, Distribution
14	W10273032	Clamp, Hose
15	8540063	Hose, Dispenser To Tub
16	W10137432	Handle, Drawer
17	W10137460	Cover, Handle
18	W10137430	Facia/Overlay, Drawer
19	W10137456	Screw, 8-18 x 1/2

TUB AND BASKET PARTS

For Model: MHN30PDAGW0

(White)



FOR ORDERING INFORMATION REFER TO PARTS PRICE LIST

TUB AND BASKET PARTS

For Model: MHN30PDAGW0

(White)

Illus. No.	Part No.	DESCRIPTION
1	8533999	Nut, Pulley
2	8540088C	Pulley
3	W10260319	Belt, Drive
4	W10223198	Counterweight, Front
5	W10142720	Pipe, Ventilation
6	W10273034	Clamp, Vent Hose
7	8540019	Hose, Exhaust
8	W10303574	Tub, Rear (Includes Items 10 & 22)
9	W10200747	Counterweight, Rear
10	8540090	Gasket, Tub
11	W10303571	Basket, Complete
12	W10118982	Baffle, Tub
13	W10142721	Connector – Ventilation
14	W10142722	Flap – Ventilation
15	W10246531	Screw, Rear Counterweight
16	W10010360	Spring, Suspension (Set of 2)
17	W10094780	Bolt, Counterweight Mtg.
18	W10259288	Bolt Assembly, Counterweight Center Hole
19	W10015830	Shock Absorber
20	8540092	Clamp, Tub
21	W10266965	Tub, Front (Includes Items 10 & 22)
22	8540072	Nut, Push-In
23	W10176659	Negative Thermistor Control
24	8540766	Seal, Rubber
25	8540382	Screw
26	8540342	Crosspiece Assembly

OPTIONAL PARTS (NOT INCLUDED)

For Model: MHN30PDAGW0

(White)

Illus.	Part	
No.	No.	DESCRIPTION

PAINT, TOUCH-UP (1/2oz.)

72017 White

PAINT, PRESSURIZED SPRAY (12 oz.)

350938 Primer, Gray

350930 White

PAINT, BULK (1 qt.)

799344 White (Uncut)

ACCESSORY PARTS

285863 Drain Extension

W10103350 Pedestal,
Commercial