

PARTS LIST

for

MAYTAG[®]

**COMMERCIAL
AUTOMATIC WASHER**

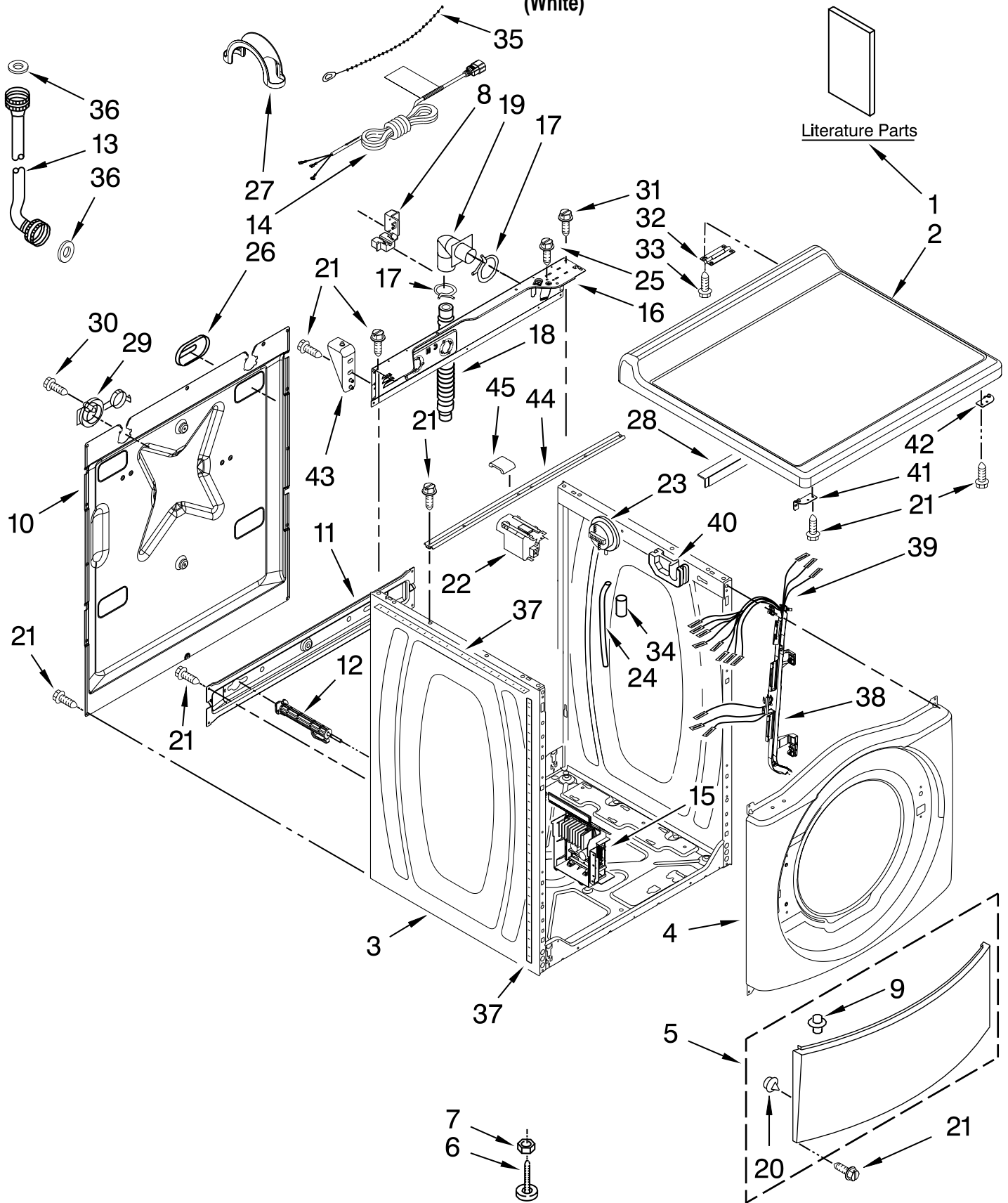
MODEL NO.(S)

MHN30PNAGW0

TOP AND CABINET PARTS

For Model: MHN30PNAGW0

(White)



FOR ORDERING INFORMATION REFER TO PARTS PRICE LIST

TOP AND CABINET PARTS

For Model: MHN30PNAGW0

(White)

Illus. No.	Part No.	DESCRIPTION	Illus. No.	Part No.	DESCRIPTION	Illus. No.	Part No.	DESCRIPTION
1		Literature Parts	15	W10385821	Motor Control Unit	35	3347868	Cable Tie
	W10340714	Installation Instructions	16	W10244560	Brace, Rear	36	3976300	Washer, Water Inlet Hose
	W10340722	User Instructions Tech Sheet	17	356138	Clamp, Hose			1-1/16 x 5/8
	W10340707	English	18	W10106460	Hose, Drain-Outer	37	8318396	Seal, Foam-IEC
	W10340709	French	19	W10003260	Connector, Hose Outlet	38	W10168546	Harness Channel, Side Front
	W10340721	Repair Parts List	20	238614	Bumper	39	W10330592	Harness, Wiring (Lower Main)
2	W10137410	Top	21	W10015090	Screw, 8-18 x 5/8			Includes Item 38 And The Following Cable Sets: (Not Illustrated)
3	W10225458	Cabinet	22	W10398805	Filter, Interference			W10200773 CCU To MCU-Power (2 Pole)
4	W10306505	Panel, Front	23	W10292407	Switch, Pressure			W10330605 CCU TO MCU-Serial Communication (3 Pole)
5	8540813	Toe Panel	24	8540294	Hose, Pressure Switch			W10200775 Door Lock - Power
6	W10245373	Foot, Leveling	25	8540479	Screw, Grounding	40	8540643	Bracket, Spring
7	3359452	Nut, Lock	26	8540268	Cover, Transport	41	W10137445	Bracket - Top Panel, Left
8	W10110676	Strain Relief, Power Cord	27	8577378	U-Bend, Drain Hose	42	W10137444	Bracket - Top Panel, Right
9	8518891	Rivet	28	W10279059	Angle, Support-Top	43	W10137398	Stop - Top Panel
10	W10258342	Panel, Rear	29	8540728	Sleeve, Cord Support	44	8540721	Brace, Top
11	W10189659	Brace, Transport	30	8540727	Screw, 3 x 8 mm	45	8283273	Damper, Brace
12	W10251449	Bolt, Shipping	31	8540329	Screw			
13		Hose, Water Inlet	32	8565018	Hinge & Pin Assembly			
	W10276793	Cold Water	33	342055	Screw, 8-18 X 1/2			
	W10276795	Hot Water	34	2161302	Sleeve, Pressure Switch Hose			
14	W10045597	Cord, Power (Parts Not Shown)						
	W10153836	10A Cord Lock						
		10A Cord Adapters:						
	W10223804	Australian						
	W10223807	British						
	W10223809	European						

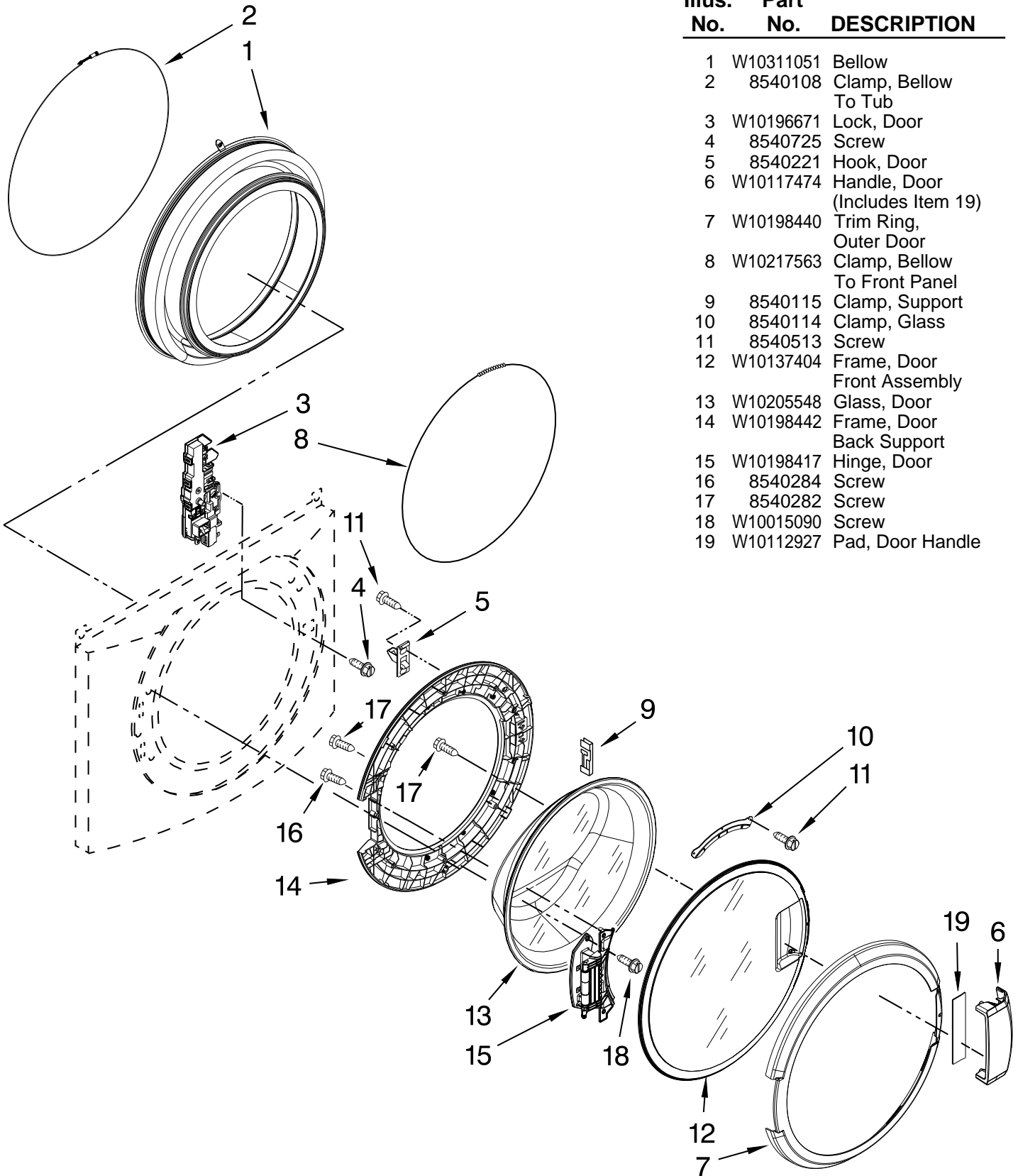
DOOR AND LATCH PARTS

For Model: MHN30PNAGW0

(White)

Illus. No.	Part No.	DESCRIPTION
------------	----------	-------------

1	W10311051	Bellow
2	8540108	Clamp, Bellow To Tub
3	W10196671	Lock, Door
4	8540725	Screw
5	8540221	Hook, Door
6	W10117474	Handle, Door (Includes Item 19)
7	W10198440	Trim Ring, Outer Door
8	W10217563	Clamp, Bellow To Front Panel
9	8540115	Clamp, Support
10	8540114	Clamp, Glass
11	8540513	Screw
12	W10137404	Frame, Door Front Assembly
13	W10205548	Glass, Door
14	W10198442	Frame, Door Back Support
15	W10198417	Hinge, Door
16	8540284	Screw
17	8540282	Screw
18	W10015090	Screw
19	W10112927	Pad, Door Handle

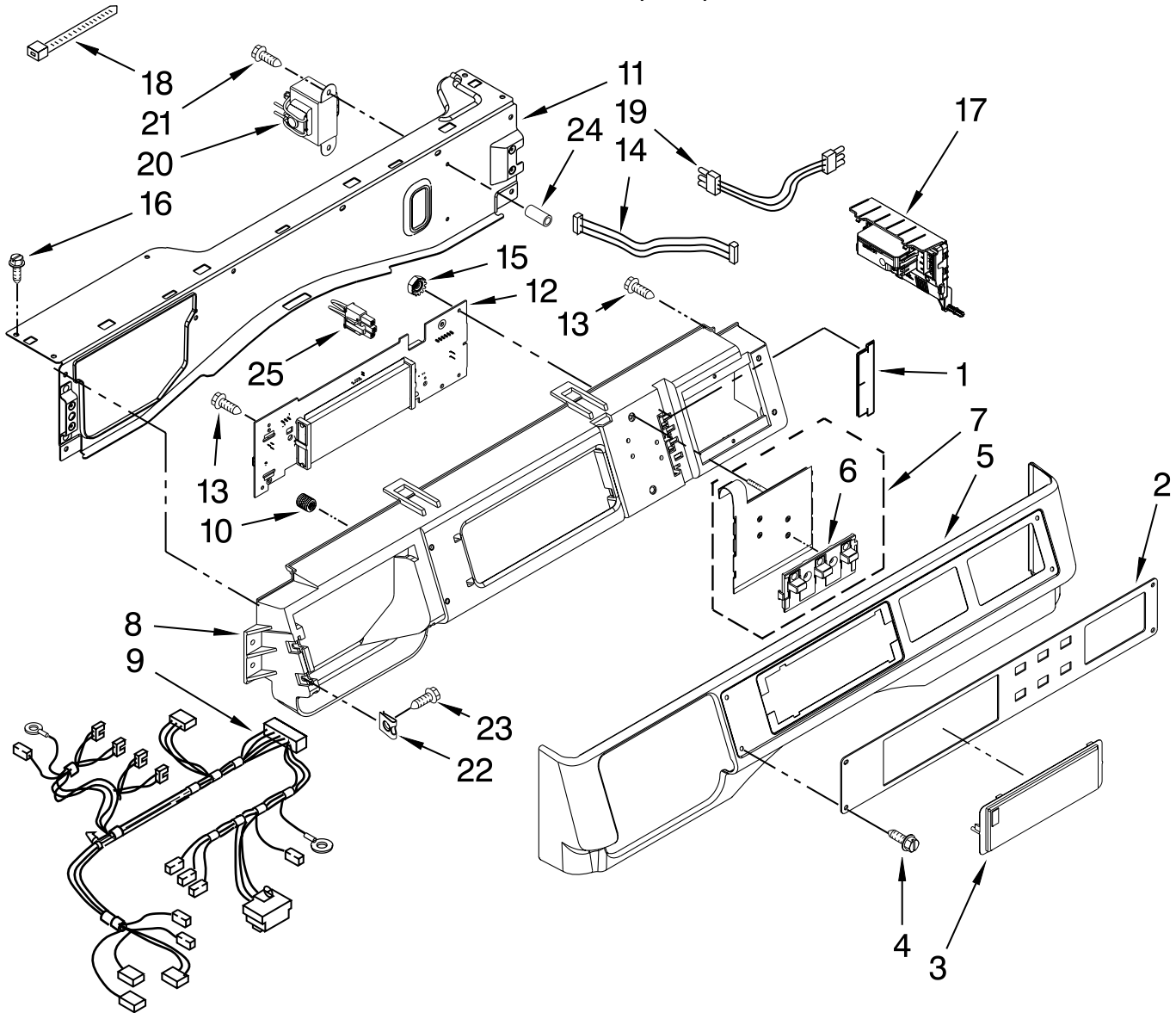


FOR ORDERING INFORMATION REFER TO PARTS PRICE LIST

CONTROL PANEL PARTS

For Model: MHN30PNAGW0

(White)



Illus. No.	Part No.	DESCRIPTION
1	W10187276	Seal, Console
2	W10313091	Facia / Overlay
3	W10267645	Cover, Display
4	W10137457	Screw, 8-32 X 1/2
5	W10137458	Console, Outer
6	W10131113	Push Button
7	W10135389	Push Button & Switch Assembly
8	W10137426	Console, Inner

Illus. No.	Part No.	DESCRIPTION
9	W10340894	Harness, Wiring (Upper Main) Includes The Following Cable Sets: (Not Illustrated)
	W10340897	CCU To Cold Fill Valve (4 Pole)
	W10340898	CCU To Hot Fill Valve (2 Pole)
10	W10189313	Insert
11	W10294428	Bracket, Console
12	W10311755	User Interface
13	489136	Screw, 3-24 X 3/8
14	W10155150	Harness, Test
15	W10139046	Nut 6-32

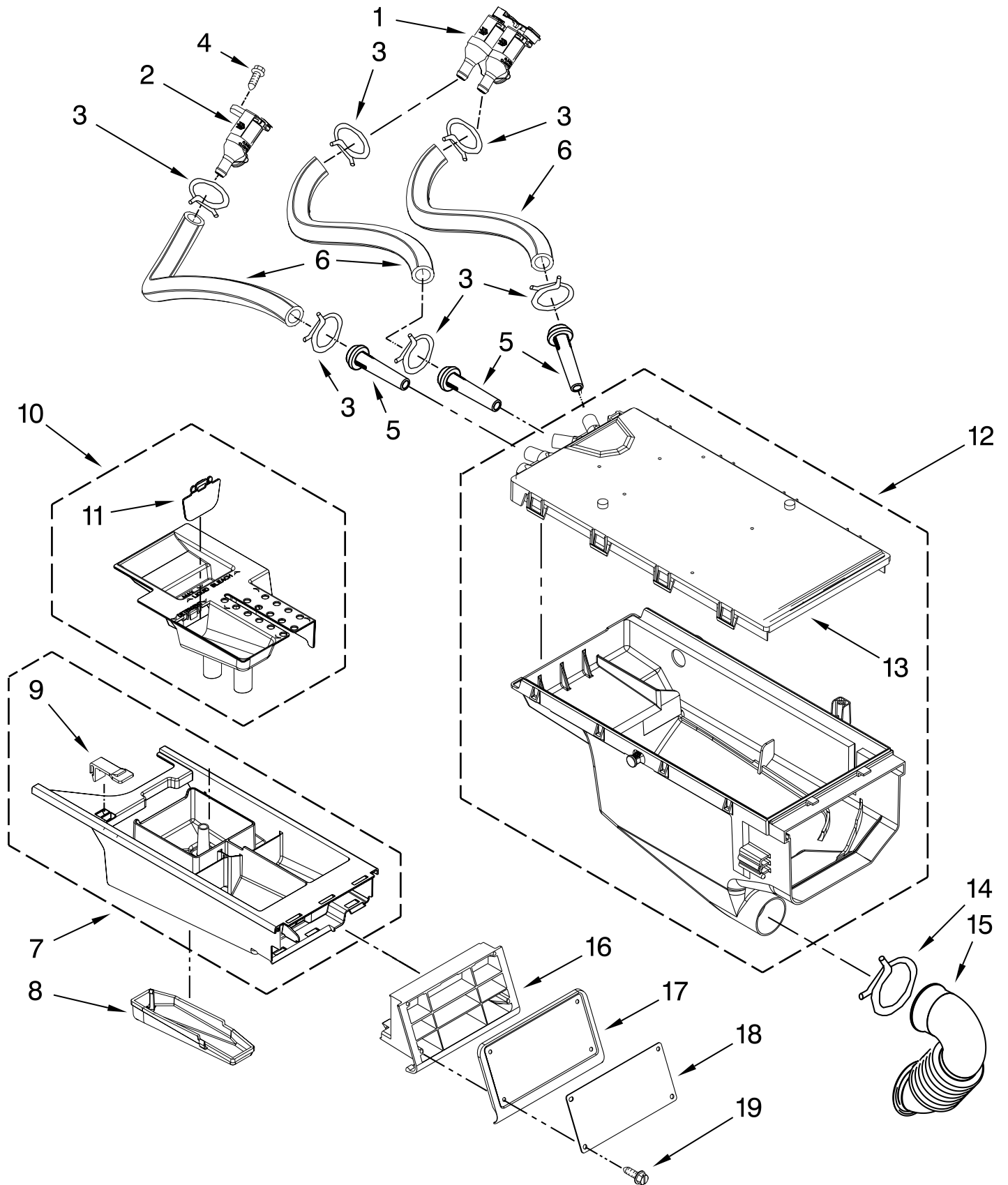
Illus. No.	Part No.	DESCRIPTION
16	W10015090	Screw, 8-18 X 5/8
17	W10340566	Microcomputer, Machine Control
18	3429563	Cable Tie
19	W10330606	Harness, Wiring (Console UIC)
20	W10205520	Transformer, 240 To 22.5 VAC
21	8540329	Screw, 8-18 X 7/16
22	9781235	Nut, U-Type
23	W10131119	Screw, 8-18 x 1/2
24	W10018050	CAPLUG
25	W10133282	Jumper, Service Vault Switch

FOR ORDERING INFORMATION REFER TO PARTS PRICE LIST

DISPENSER PARTS

For Model: MHN30PNAGW0

(White)



FOR ORDERING INFORMATION REFER TO PARTS PRICE LIST

DISPENSER PARTS

For Model: MHN30PNAGW0

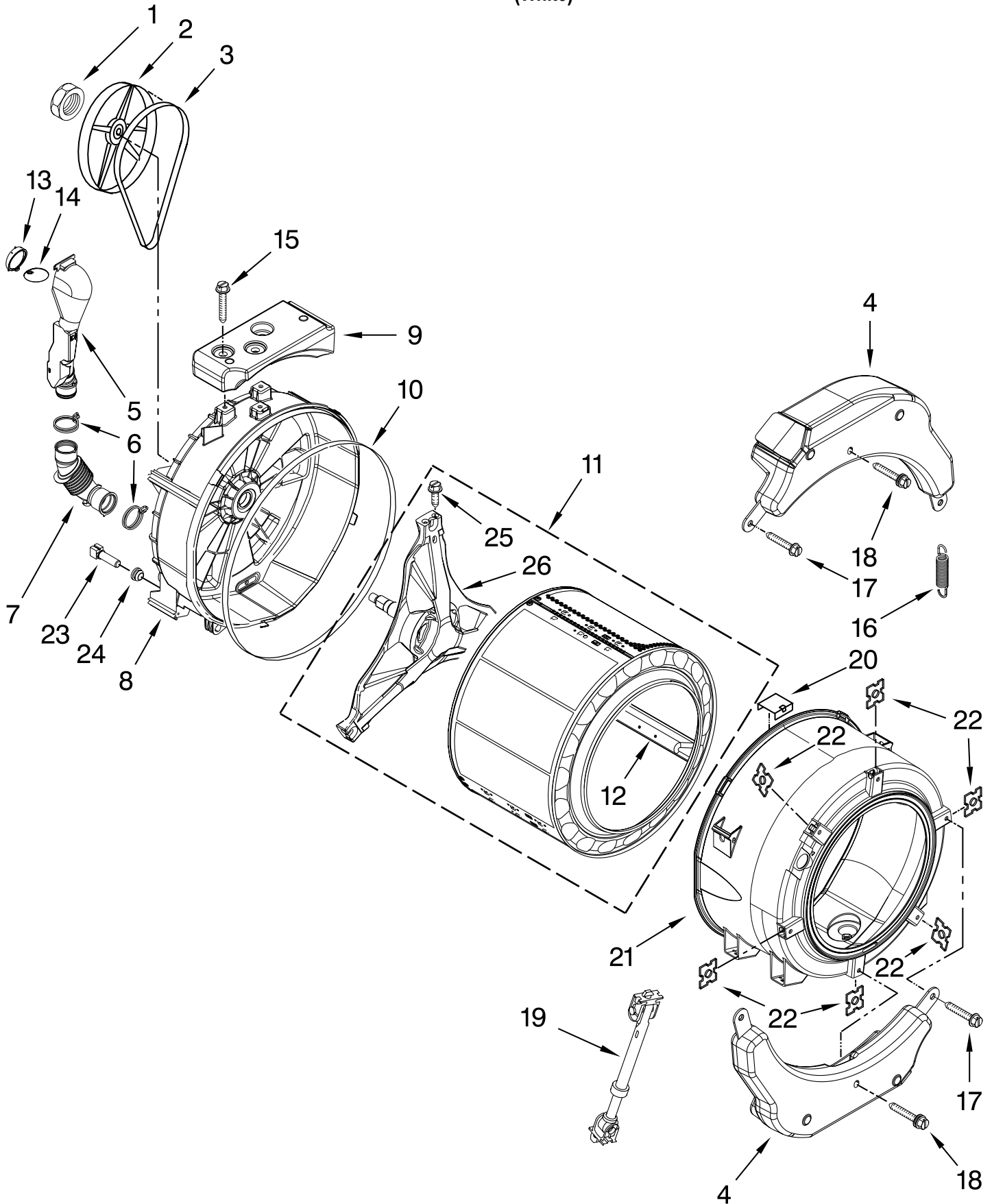
(White)

Illus. No.	Part No.	DESCRIPTION
1	W10316929	Valve, Water Inlet (Double)
2	W10316932	Valve, Water Inlet (Single)
3	W10096852	Clamp, Hose
4	8540282	Screw
5	8183181	Nozzle, Inlet
6	W10212611	Hose, Valve To Dispenser
7	W10376660	Drawer, Detergent
8	8540399	Cover, Detergent Drawer
9	W10198458	Tab, Drawer Release
10	W10275869	Siphon, Bleach/Softener
11	W10298953	Door, Living Hinge
12	W10212603	Dispenser, Outer Housing
13	W10212604	Plate, Distribution
14	W10273032	Clamp, Hose
15	8540063	Hose, Dispenser To Tub
16	W10137432	Handle, Drawer
17	W10137460	Cover, Handle
18	W10137430	Facia/Overlay, Drawer
19	W10137456	Screw, 8-18 x 1/2

TUB AND BASKET PARTS

For Model: MHN30PNAGW0

(White)



FOR ORDERING INFORMATION REFER TO PARTS PRICE LIST

TUB AND BASKET PARTS

For Model: MHN30PNAGW0

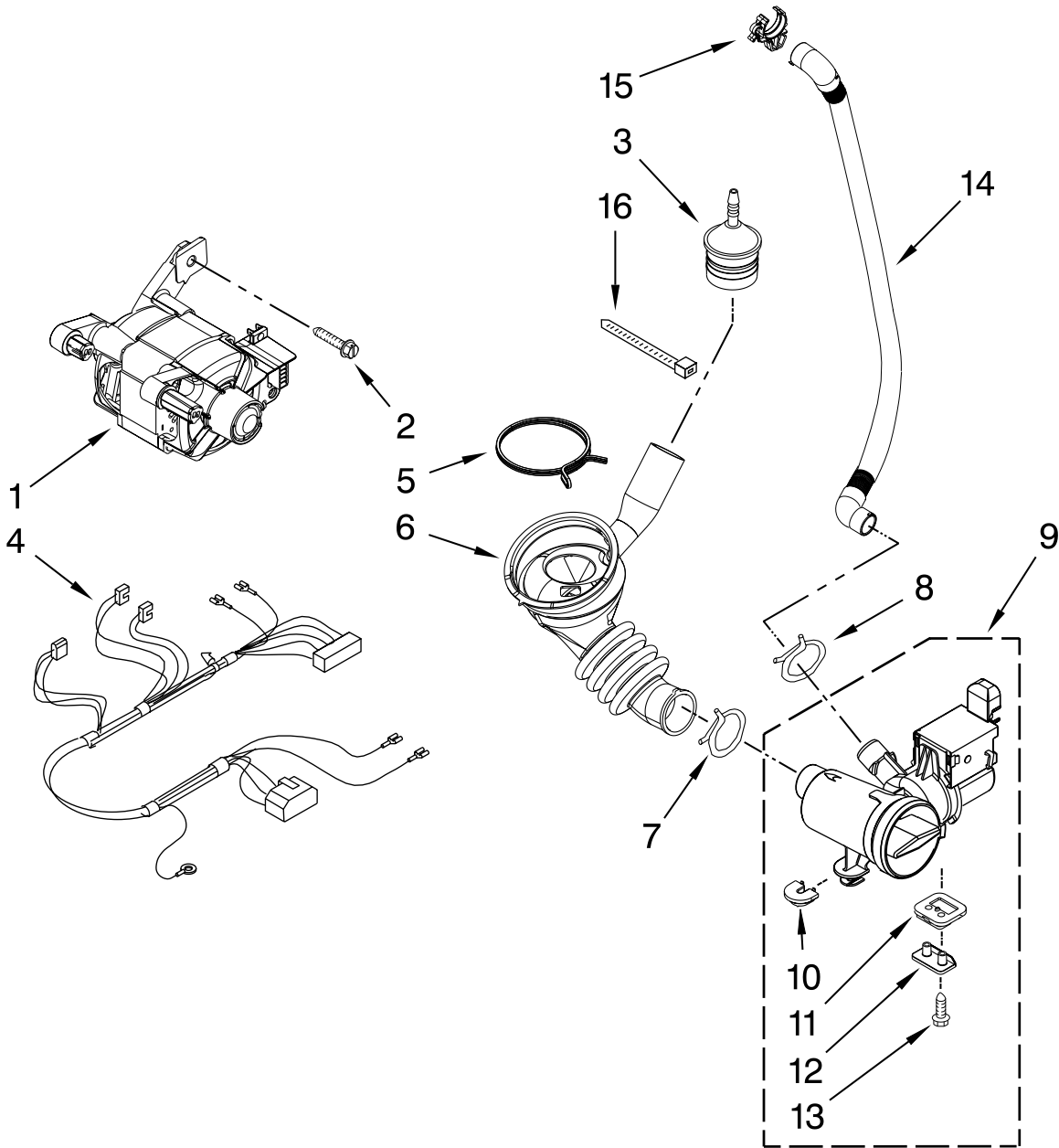
(White)

Illus. No.	Part No.	DESCRIPTION
1	8533999	Nut, Pulley
2	8540088C	Pulley
3	W10260319	Belt, Drive
4	W10223198	Counterweight, Front
5	W10142720	Pipe, Ventilation
6	W10273034	Clamp, Vent Hose
7	8540019	Hose, Exhaust
8	W10303574	Tub, Rear (Includes Items 10 & 22)
9	W10200747	Counterweight, Rear
10	8540090	Gasket, Tub
11	W10303571	Basket, Complete
12	W10118982	Baffle, Tub
13	W10142721	Connector – Ventilation
14	W10142722	Flap – Ventilation
15	W10246531	Screw, Rear Counterweight
16	W10010360	Spring, Suspension (Set of 2)
17	W10094780	Bolt, Counterweight Mtg.
18	W10259288	Bolt Assembly, Counterweight Center Hole
19	W10015830	Shock Absorber
20	8540092	Clamp, Tub
21	W10266965	Tub, Front (Includes Items 10 & 22)
22	8540072	Nut, Push-In
23	W10176659	Negative Thermistor Control
24	8540766	Seal, Rubber
25	8540382	Screw
26	8540342	Crosspiece Assembly

PUMP AND MOTOR PARTS

For Model: MHN30PNAGW0

(White)



Illus. No.	Part No.	DESCRIPTION
1	W10171927	Motor, Drive
2	8540134	Bolt, Motor
3	8540180	Air Trap (Includes Item 18)
4	W10364668	Harness, Motor
5	W10273037	Clamp

Illus. No.	Part No.	DESCRIPTION
6	8540012	Hose, Tub to Pump
7	W10273036	Clamp, Hose
8	356138	Clamp, Drain Hose
9	W10183441	Pump (Complete)
10	W10191886	Foot, Rubber (Slider)
11	W10191880	Foot, Rubber (Lock)

Illus. No.	Part No.	DESCRIPTION
12	W10190649	Cap, Lock Foot
13	W10167905	Screw, 10-16 x 1.25
14	W10272563	Hose, Drain- Inner
15	W10003290	Retainer, Drain Hose
16	2262071	Cable Tie

FOR ORDERING INFORMATION REFER TO PARTS PRICE LIST

OPTIONAL PARTS (NOT INCLUDED)

For Model: MHN30PNAGW0

(White)

Illus.	Part	
No.	No.	DESCRIPTION

PAINT, TOUCH-UP (1/2oz.)

72017 White

PAINT, PRESSURIZED SPRAY (12 oz.)

350938 Primer, Gray

350930 White

PAINT, BULK (1 qt.)

799344 White (Uncut)

ACCESSORY PARTS

285863 Drain Extension

W10103350 Pedestal,
Commercial