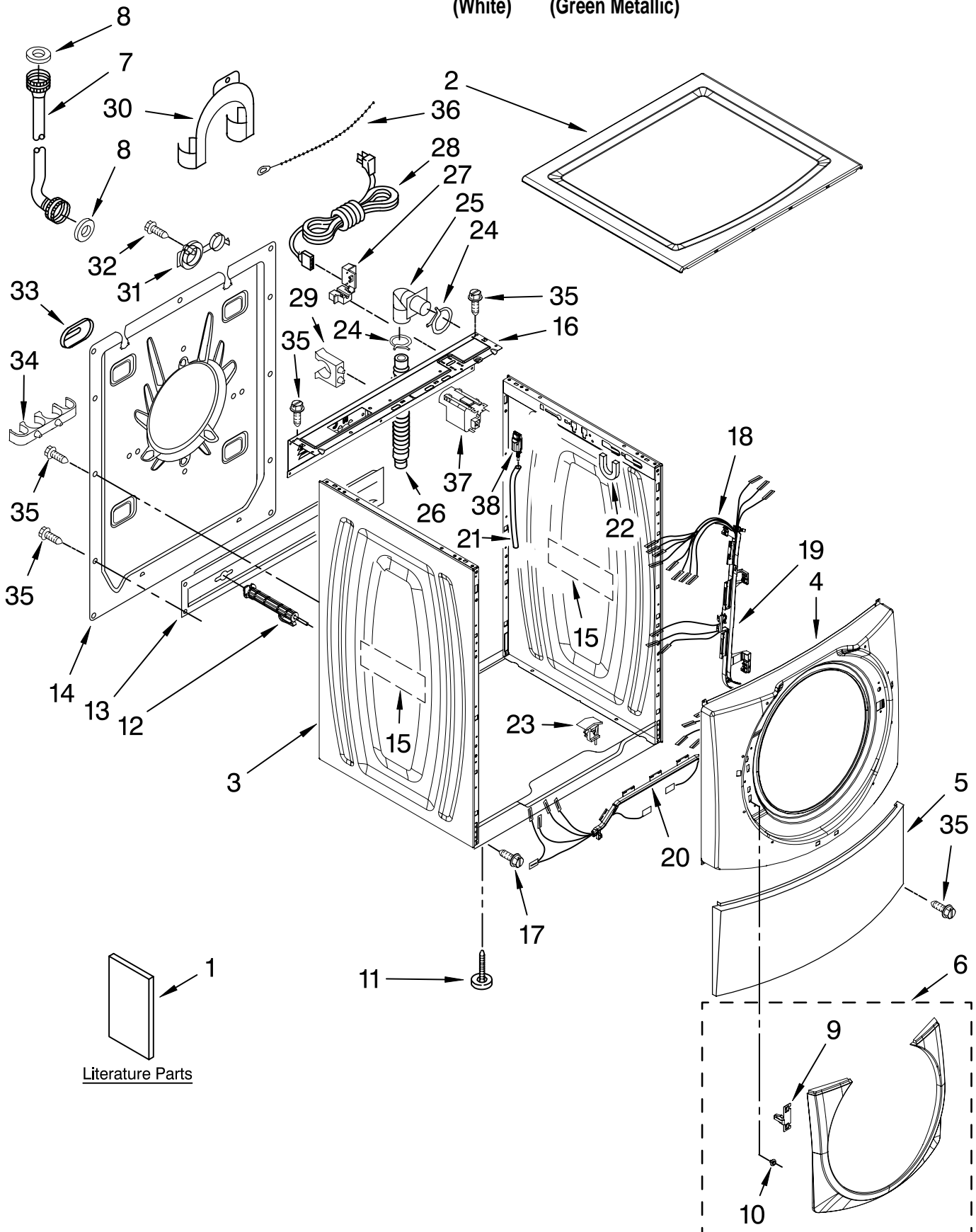


TOP AND CABINET PARTS

For Models: MHWE500VW01, MHWE500VP01

(White) (Green Metallic)

AUTOMATIC
WASHER



FOR ORDERING INFORMATION REFER TO PARTS PRICE LIST

TOP AND CABINET PARTS

For Models: MHWE500VW01, MHWE500VP01

(White) (Green Metallic)

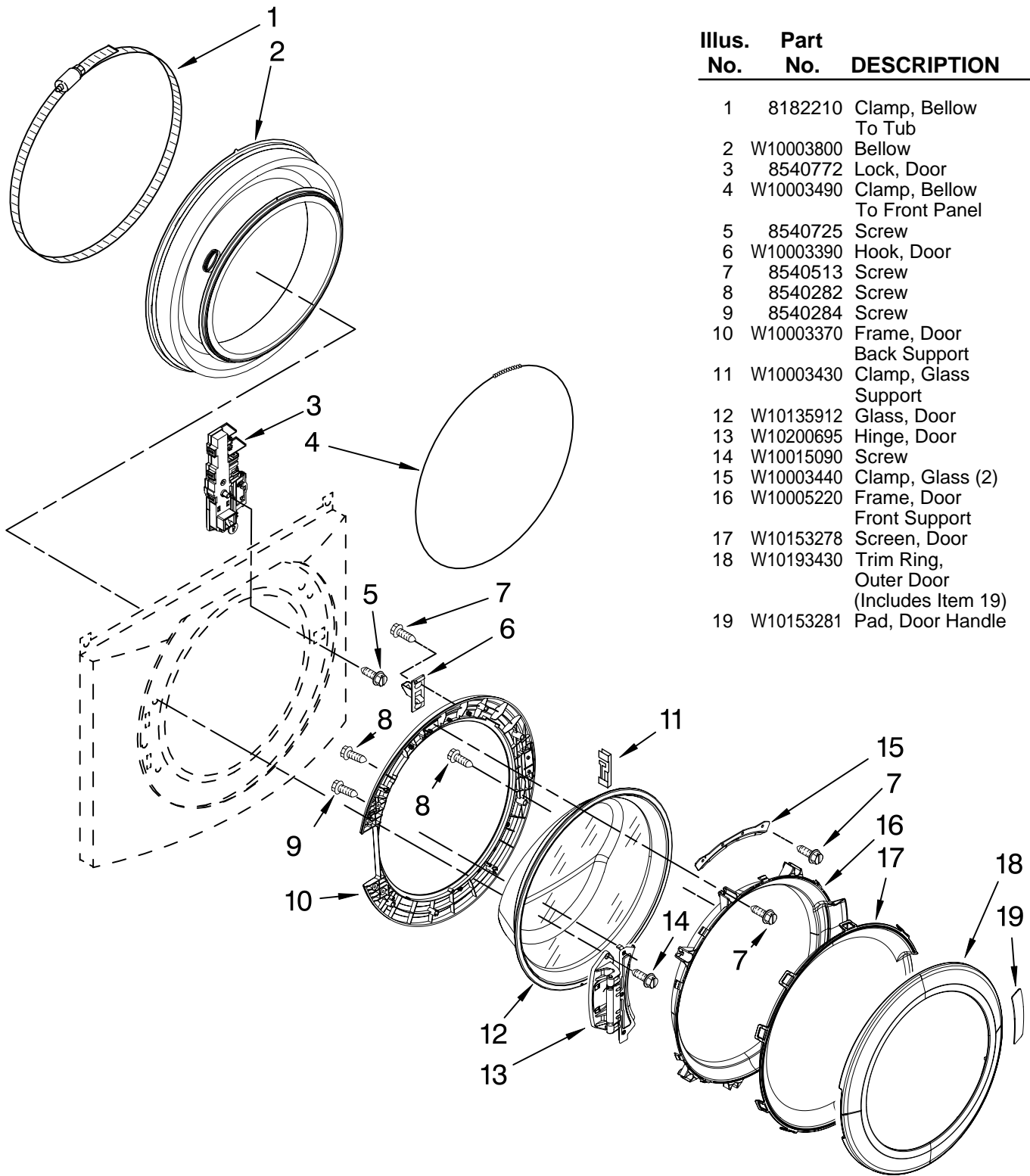
Illus. No.	Part No.	DESCRIPTION	Illus. No.	Part No.	DESCRIPTION	Illus. No.	Part No.	DESCRIPTION
1		Literature Parts	9	W10112671	Clip, Trim–Metal	21	W10004260	Hose, Pressure Switch
	W10176966	Use & Care Guide	10	W10029650	Clip, Trim	22	W10008890	Bracket, Spring
	W10217131	Tech Sheet	11	W10064810	Foot, Leveling	23	8540210	Microswitch (2)
	W10133488	Quick Start Guide	12		Bolt, Shipping	24	356138	Clamp, Hose
	W10234015	Energy Guide		W10003340	Upper	25	W10003260	Connector, Drain Hose
2		Top	13	W10003350	Lower	26	W10003280	Hose, Drain (Outer)
	W10003900	White		W10165710	Brace, Transport	27	W10110676	Strain Relief
	W10191381	Green		W10003040	Upper	28	W10110674	Cord, Power
3		Cabinet	14	W10003030	Lower	29	W10022290	Clip, Outer
	W10171708	White	15	3976348	Panel, Rear	30	8540021	Screw, Grounding
	W10176850	Green	16	W10110677	Absorber, Sound	31	8540728	Hose Holder
4		Panel, Front	17	8540479	Brace, Rear	32	8540727	U–Bend, Drain Hose
	W10157475	White	18	W10115662	Screw, Grounding	33	8540268	Sleeve, Cord Support (2)
	W10176906	Green			Harness, Wiring (Lower Main)	34	W10003270	Screw, 3 x 8 mm
5		Toe Panel			(Includes Items 19 & 20)	35	W10015090	Cover, Transport
	W10003640	White	19	W10216383	Channel, Harness (Side)	36	3347868	Clip, Outer
	W10191380	Green	20	W10168549	Channel, Harness (Bottom)	37	8540230	Hose Holder
6		Ring, Trim				38	W10249845	Interference Switch, Analog Pressure Sensor
	W10182998	White						
	W10190646	Green						
7		Hose, Water Inlet						
	W10194208	Cold Water						
	8571378	Hot Water						
8	16123	Washer, Water Inlet Hose (4)						

FOR ORDERING INFORMATION REFER TO PARTS PRICE LIST

DOOR AND LATCH PARTS

For Models: MHWE500VW01, MHWE500VP01

(White) (Green Metallic)

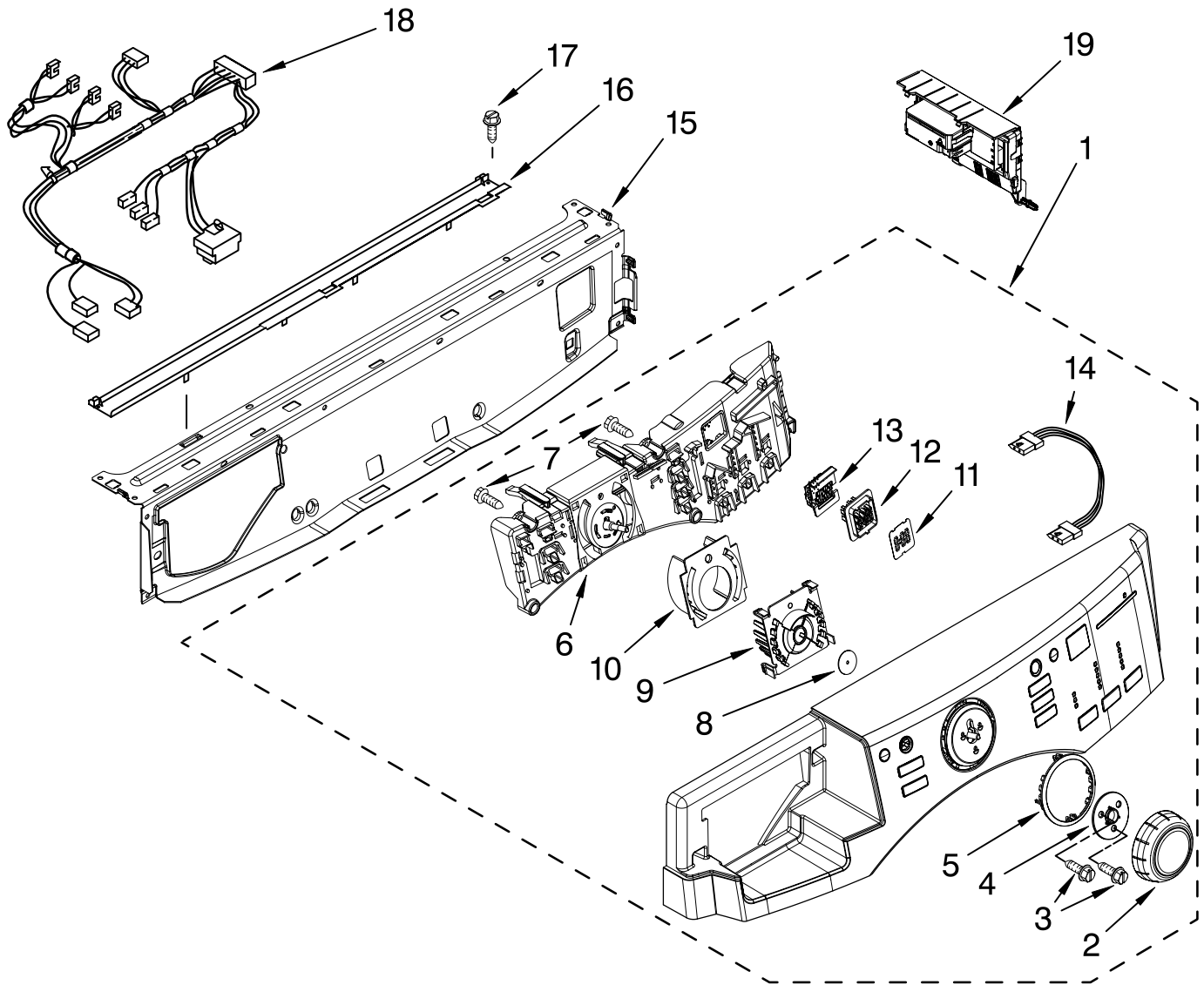


Illus. No.	Part No.	DESCRIPTION
1	8182210	Clamp, Bellow To Tub
2	W10003800	Bellow
3	8540772	Lock, Door
4	W10003490	Clamp, Bellow To Front Panel
5	8540725	Screw
6	W10003390	Hook, Door
7	8540513	Screw
8	8540282	Screw
9	8540284	Screw
10	W10003370	Frame, Door Back Support
11	W10003430	Clamp, Glass Support
12	W10135912	Glass, Door
13	W10200695	Hinge, Door
14	W10015090	Screw
15	W10003440	Clamp, Glass (2)
16	W10005220	Frame, Door Front Support
17	W10153278	Screen, Door
18	W10193430	Trim Ring, Outer Door (Includes Item 19)
19	W10153281	Pad, Door Handle

FOR ORDERING INFORMATION REFER TO PARTS PRICE LIST

CONTROL PANEL PARTS

For Models: MHWE500VW01, MHWE500VP01
(White) (Green Metallic)



Illus. No.	Part No.	DESCRIPTION
1	W10176642 White W10176643 Green	Panel, Control
2	W10164576	Knob, Control
3	8540513	Screw
4	W10172298	Bushing, Knob
5	W10164567	Light Guide, Cycle
6	W10164541	User Interface,
7	8540282	Screw

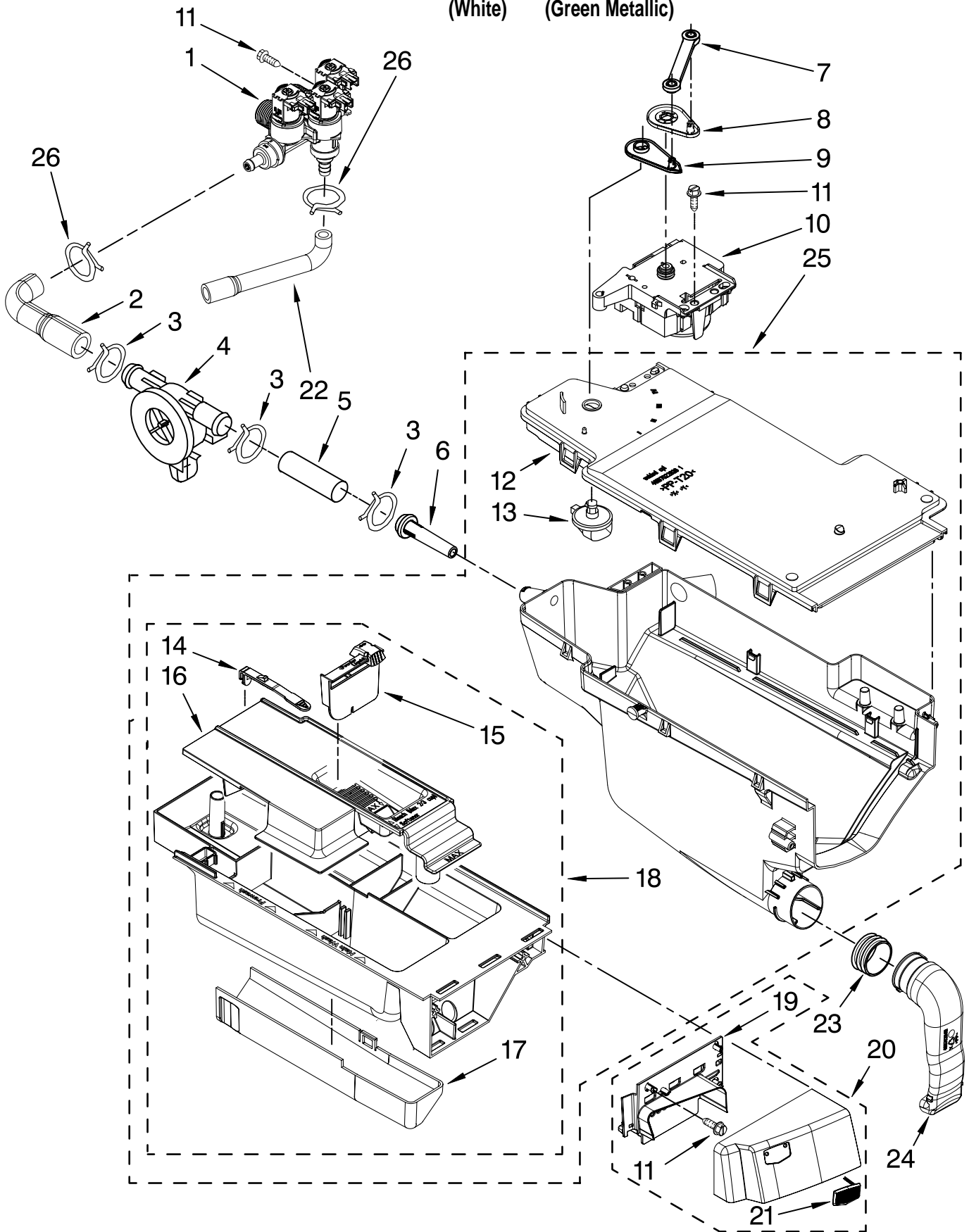
Illus. No.	Part No.	DESCRIPTION
8	8572039	Seal, User Interface
9	W10170293	Light Guide – Cycle, Internal
10	W10170295	Frame, Light Guide
11	W10171504	Foil – Display
12	W10164578	Light Guide – 3 Digit Display
13	W10171502	Frame – Light Guide Display

Illus. No.	Part No.	DESCRIPTION
14	W10167292	Harness, Wiring (User Interface)
15	W10059240	Brace, Front Top
16	W10003700	Channel, Water
17	W10015090	Screw
18	W10221496	Harness, Wiring (Upper Main)
19	W10217077	Microcomputer, Machine Control

FOR ORDERING INFORMATION REFER TO PARTS PRICE LIST

DISPENSER PARTS

For Models: MHWE500VW01, MHWE500VP01
(White) (Green Metallic)



FOR ORDERING INFORMATION REFER TO PARTS PRICE LIST

DISPENSER PARTS

For Models: MHWE500VW01, MHWE500VP01
(White) (Green Metallic)

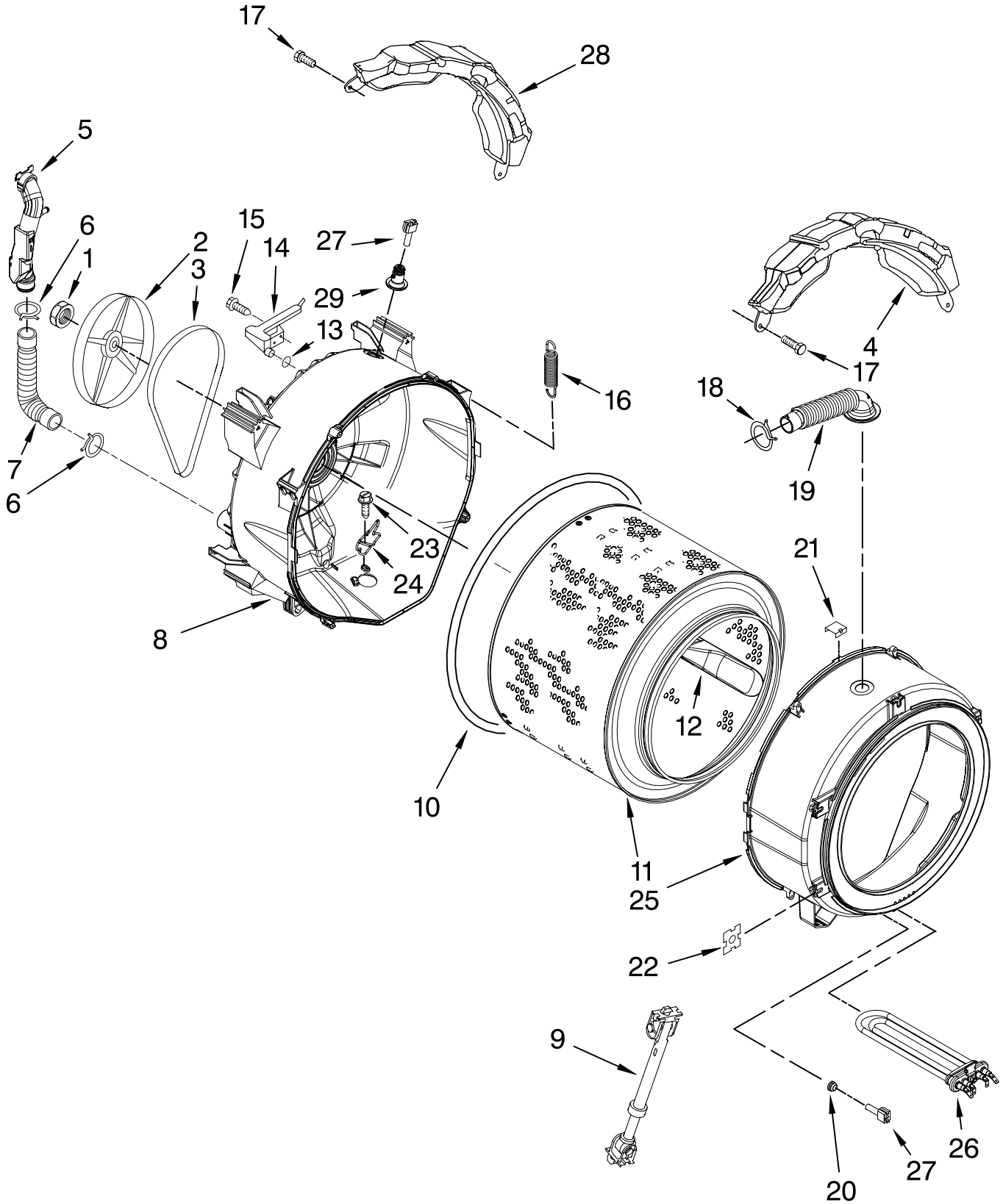
Illus. No.	Part No.	DESCRIPTION
1	W10247305	Valve, Inlet
2	8183182	Hose, Flowmeter (L-Shaped)
3	370450	Clamp
4	W10110225	Flowmeter
5	8183180	Hose, Inlet Nozzle
6	8540042	Nozzle, Inlet
7	W10003830	Lever, Connection
8	W10003190	Cam, Actuator
9	W10003180	Lever, Water Distribution
10	W10163975	Actuator
11	8540282	Screw
12	W10005080	Plate, Distribution
13	W10003110	Nozzle, Distribution
14	W10003170	Hook, Drawer
15	W10015200	Separator, With Selection Slider
16	W10003150	Siphon, Bleach/Softener
17	W10003140	Cover, Detergent Drawer
18	W10015190	Drawer, Detergent (Complete)
19		Bracket, Handle Fixation
	W10153277	White
	W10190551	Green
20		Handle, Drawer
	W10193815	White
	W10189240	Green
21	W10177245	Medallion
22	8181710	Hose, Inlet Valve To Vent Pipe
23	W10003360	Seal
24	W10005300	Tube, Dispenser To Bellow
25	W10074160	Dispenser, Complete (Includes Item 9)
26	8181754	Clamp, Hose

FOR ORDERING INFORMATION REFER TO PARTS PRICE LIST

TUB AND BASKET PARTS

For Models: MHWE500VW01, MHWE500VP01

(White) (Green Metallic)



FOR ORDERING INFORMATION REFER TO PARTS PRICE LIST

TUB AND BASKET PARTS

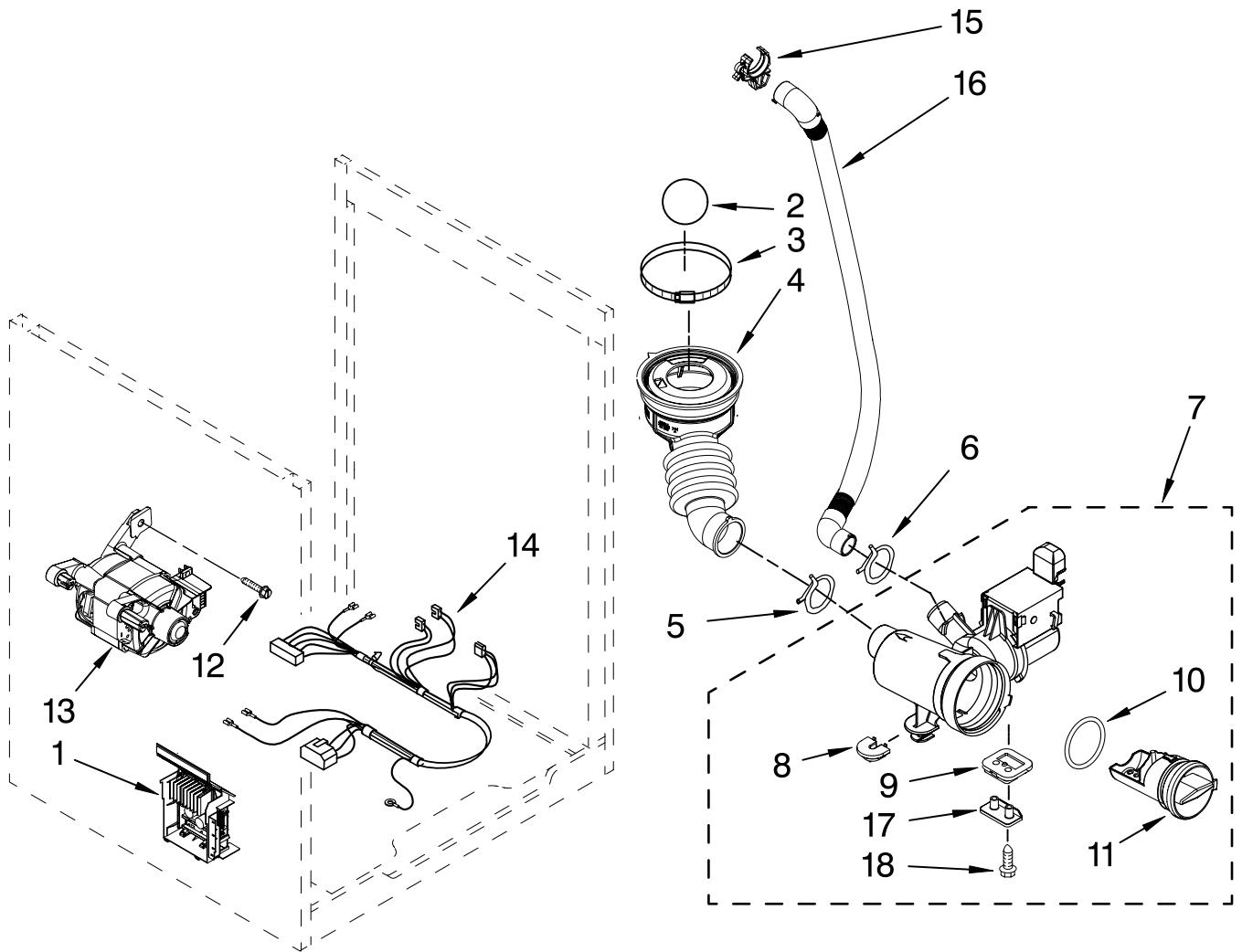
For Models: MHWE500VW01, MHWE500VP01
(White) (Green Metallic)

<u>Illus. No.</u>	<u>Part No.</u>	<u>DESCRIPTION</u>
1	8533999	Nut, Pulley
2	W10003730	Pulley
3	W10116215	Belt
4	W10008880	Counterweight Front (2)
5	W10249838	Pipe, Ventilation
6	8540010	Clamp
7	W10004330	Hose, Exhaust
8	W10165398	Tub, Rear (Includes Items 10, 22, 23 & 24)
9	W10015830	Shock Absorber (4)
10	W10036350	Gasket, Tub
11	W10040480	Basket
12	W10200794	Baffle, Tub
13	W10250553	O-Ring
14	W10003600	Airtrap
15	8540513	Screw
16	W10127411	Spring, Suspension (Set Of 2)
17	W10094780	Bolt, Counterweight Mtg.
18	3363365	Clamp, Hose
19	8540015	Hose, Exhaust
20	8540766	Seal, NTC
21	8540092	Clamp, Tub
22	8540072	Nut, Push-In
23	8540880	Screw
24	W10250558	Bracket, Heater Support
25	W10190573	Tub, Front (Includes Items 10 & 22)
26	W10249844	Heater-Steamer
27	8540226	NTC
28	W10008870	Counterweight, Rear
29	W10249843	Seal, Temperature Sensor

FOR ORDERING INFORMATION REFER TO PARTS PRICE LIST

PUMP AND MOTOR PARTS

For Models: MHWE500VW01, MHWE500VP01
(White) (Green Metallic)



Illus. No.	Part No.	DESCRIPTION
1	W10015480	Motor Control Unit
2	W10003330	Ball
3	8540008	Clamp
4	W10003240	Hose, Tub to Pump
5	370448	Clamp
6	356138	Clamp
7	W10117829	Pump (Complete)

Illus. No.	Part No.	DESCRIPTION
8	W10034820	Foot, Rubber (Slider)
9	W10034830	Foot, Rubber (Lock)
10	8540025	Seal, Filter Cap
11	8540996	Cap, Filter
12	8540134	Bolt, Motor

Illus. No.	Part No.	DESCRIPTION
13	W10140583	Motor
14	W10004420	Harness, Motor
15	W10003290	Retainer, Drain Hose
16	W10003250	Drain Hose (Inner)
17	8540033	Cap, Lock Foot
18	8533964	Screw, 10-16 x 1.25 (2)

FOR ORDERING INFORMATION REFER TO PARTS PRICE LIST

OPTIONAL PARTS (NOT INCLUDED)

For Models: MHWE500VW01, MHWE500VP01
(White) (Green Metallic)

Illus.	Part	
No.	No.	DESCRIPTION

PAINT, TOUCH-UP (1/2oz.)

72017	White
W10218248	Emerald Green Metallic
W10218249	Evergreen Gloss

ACCESSORY PARTS

285863	Drain Extension
4396899	Rear Guard
38005	Stack Kit
W10135699	Affresh Odor Remover