

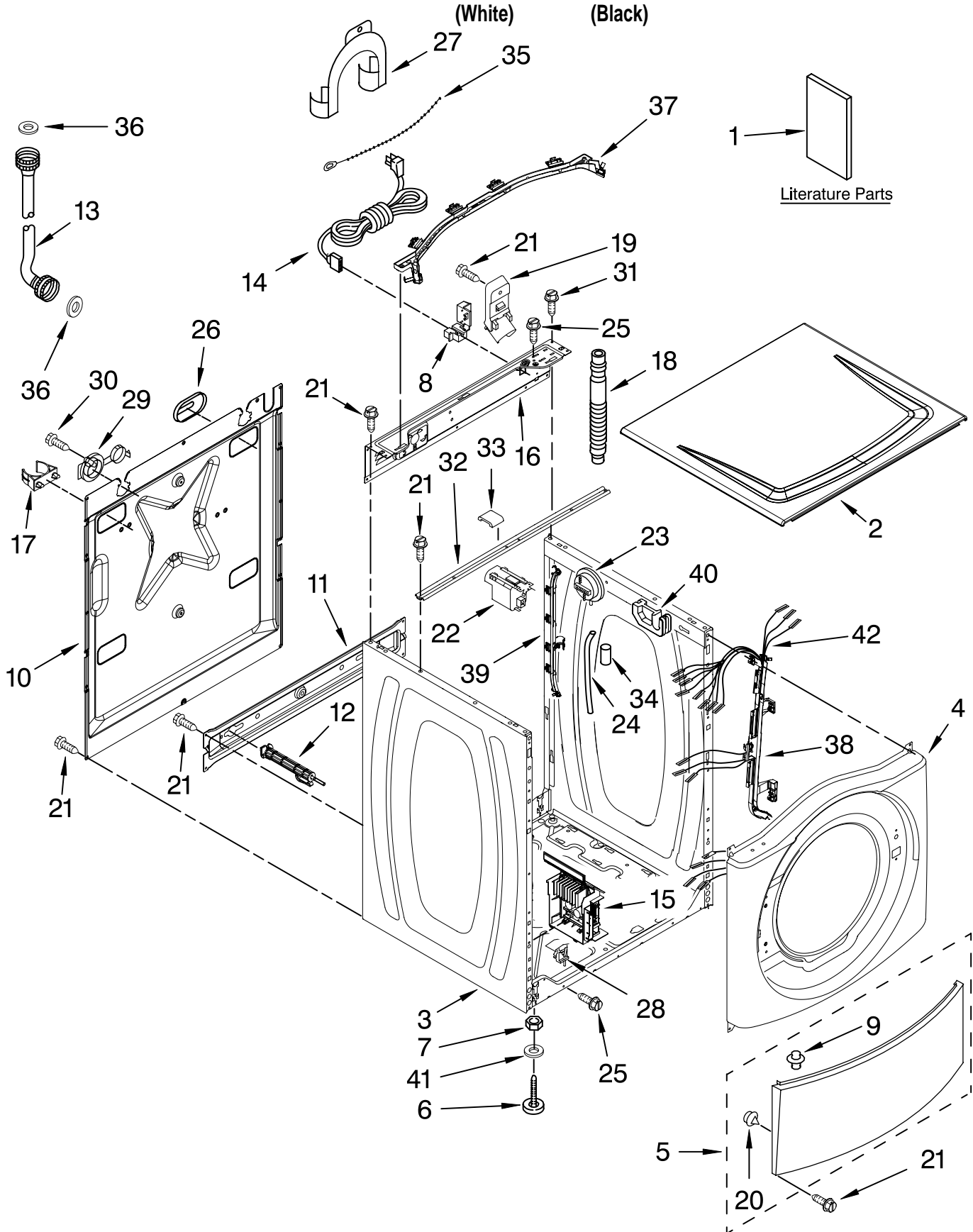
## TOP AND CABINET PARTS

For Models: MHWZ400TQ02, MHWZ400TB02

AUTOMATIC  
WASHER

(White)

(Black)



FOR ORDERING INFORMATION REFER TO PARTS PRICE LIST

# TOP AND CABINET PARTS

For Models: MHWZ400TQ02, MHWZ400TB02

(White)

(Black)

Illus. No.	Part No.	DESCRIPTION	Illus. No.	Part No.	DESCRIPTION	Illus. No.	Part No.	DESCRIPTION
1		Literature Parts	11	W10189657	Brace, Transport	28	W10085220	Microswitch (2)
	W10151563	Use & Care Guide	12	8540199	Bolt, Shipping (4)	29	8540728	Sleeve,
	W10207733	Tech Sheet	13		Hose, Water Inlet			Cord Support (2)
	W10171151	Energy Guide		8571377	Blue Coupler	30	8540727	Screw, 3 x 8 mm
	W10112913	Quick Start Guide		8571378	Red Coupler	31	8540329	Screw
2		Top	14	W10029820	Cord, Power	32	8540720	Brace, Top
	8540716	White	15	W10205342	Motor Control Unit			(Includes Item 33)
	W10128645	Black	16	W10161694	Brace, Rear	33	8283273	Damper, Brace
3		Cabinet	17	8540093	Clamp, Tube	34	2161302	Sleeve, Pressure
	W10201831	White			Transportation			Switch Hose
	W10201827	Black	18	W10114608	Hose, Drain	35	3347868	Cable Tie
4		Panel, Front	19	8540607	Retainer,	36	16123	Washer, Water
	W10112948	White			Hose Outlet			Inlet Hose (4)
	W10117457	Black	20	238614	Bumper (2)			1-1/16 x 5/8
5		Toe Panel	21	W10015090	Screw, 8-18 x 5/8	37	W10168548	Harness Channel,
	8540813	White	22	8540230	Filter,			Top Rear
	W10112981	Black			Interference	38	W10168546	Harness Channel,
6	W10121677	Foot, Leveling (4)	23	W10163980	Switch, Pressure			Side Front
7	3359452	Nut, Lock (4)	24	8540294	Hose, Pressure	39	W10168547	Harness Channel,
8	W10110676	Strain Relief,			Switch			Side Rear
		Power Cord	25	8540479	Screw, Grounding	40	8540644	Bracket, Spring
9	8518891	Rivet	26	8540268	Cover, Transport	41	487576	Washer, Nylon (4)
10	8540580	Panel, Rear	27	8540021	U-Bend,	42	W10208139	Harness, Wiring
					Drain Hose			(Lower Main)
								(Includes Item 38)

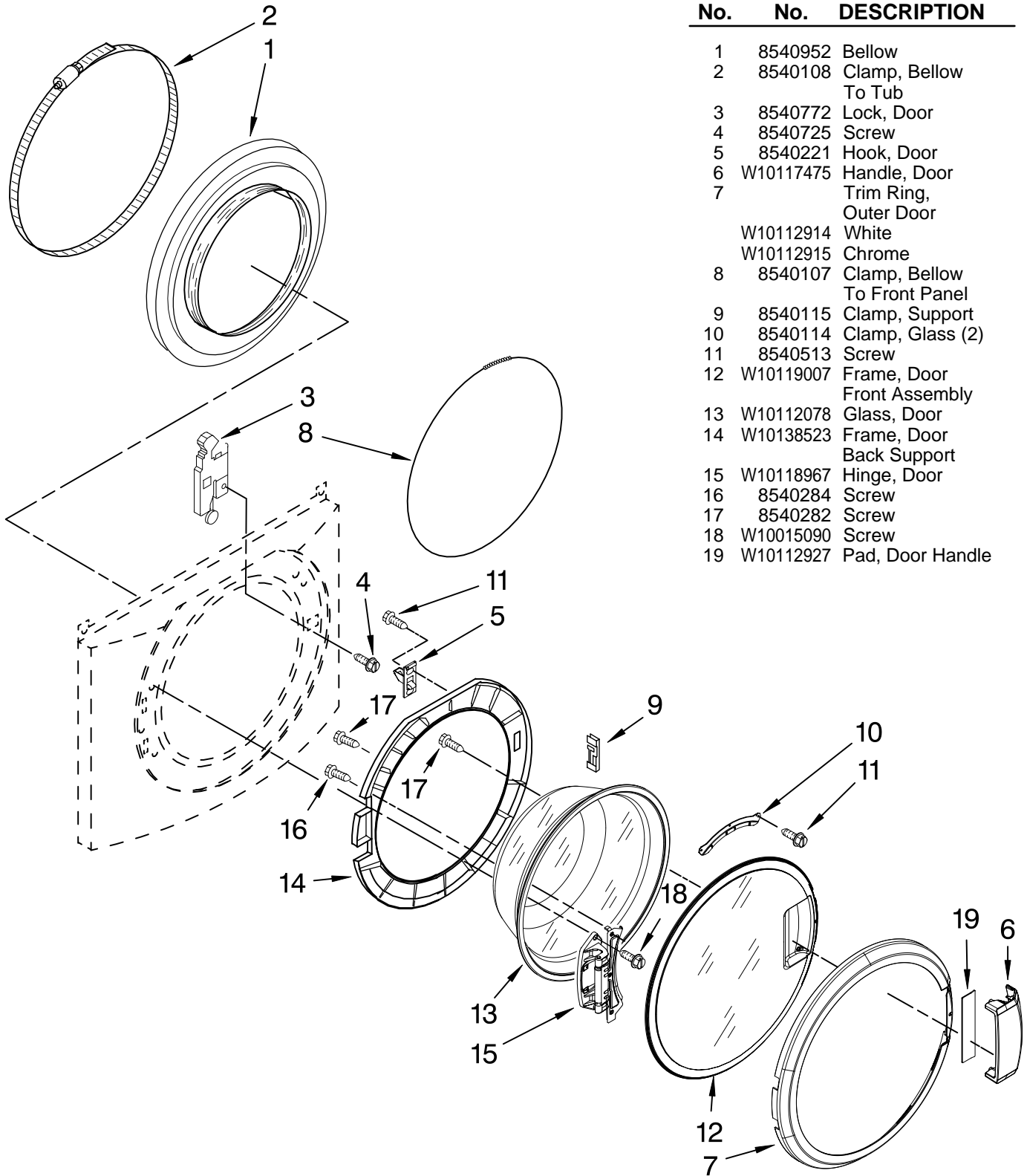
FOR ORDERING INFORMATION REFER TO PARTS PRICE LIST

# DOOR AND LATCH PARTS

For Models: MHWZ400TQ02, MHWZ400TB02

(White)

(Black)



Illus. No.	Part No.	DESCRIPTION
1	8540952	Bellow
2	8540108	Clamp, Bellow To Tub
3	8540772	Lock, Door
4	8540725	Screw
5	8540221	Hook, Door
6	W10117475	Handle, Door
7		Trim Ring, Outer Door
	W10112914	White
	W10112915	Chrome
8	8540107	Clamp, Bellow To Front Panel
9	8540115	Clamp, Support
10	8540114	Clamp, Glass (2)
11	8540513	Screw
12	W10119007	Frame, Door Front Assembly
13	W10112078	Glass, Door
14	W10138523	Frame, Door Back Support
15	W10118967	Hinge, Door
16	8540284	Screw
17	8540282	Screw
18	W10015090	Screw
19	W10112927	Pad, Door Handle

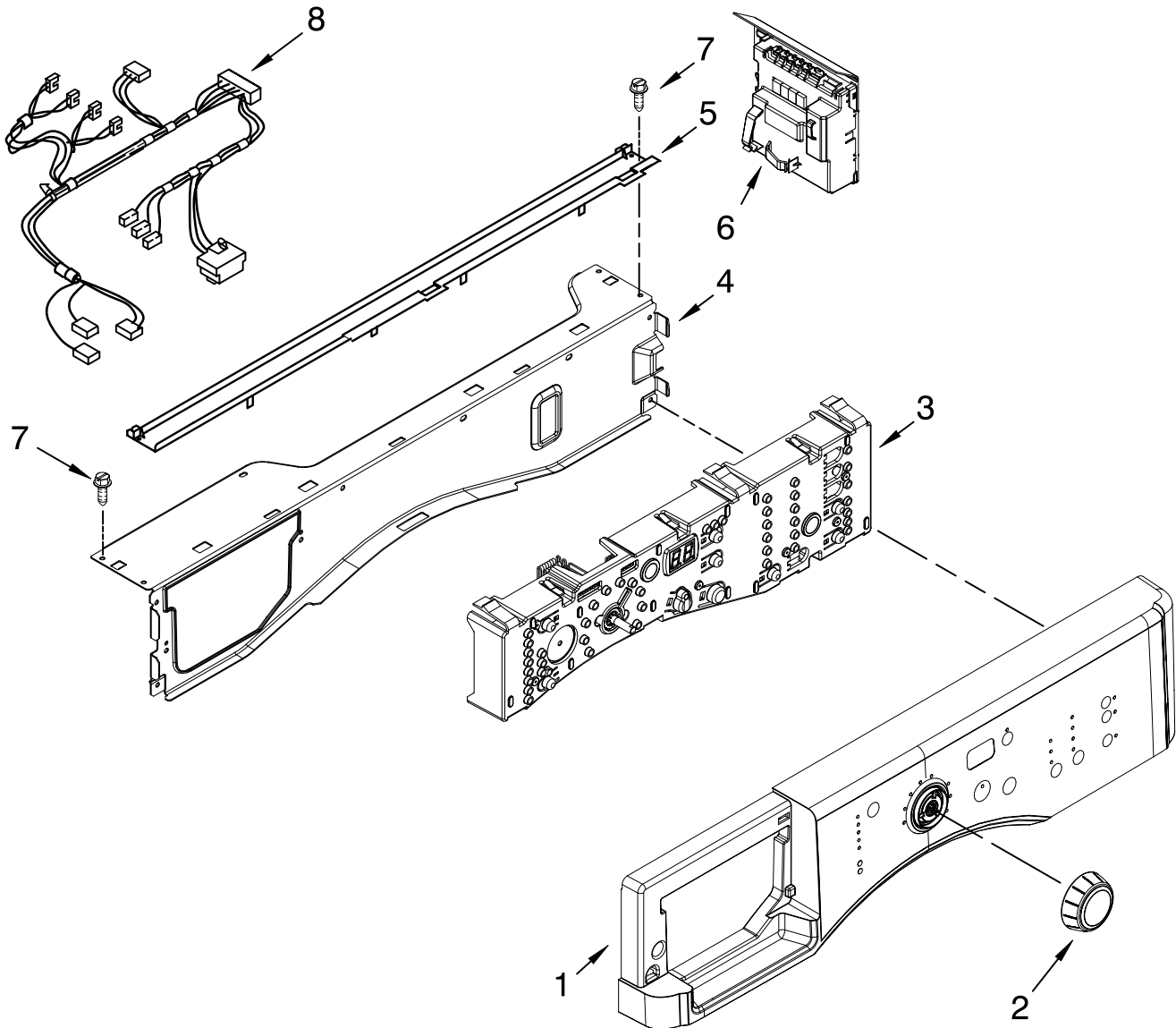
FOR ORDERING INFORMATION REFER TO PARTS PRICE LIST

# CONTROL PANEL PARTS

For Models: MHWZ400TQ02, MHWZ400TB02

(White)

(Black)



Illus. No.	Part No.	DESCRIPTION
1	W10117405 W10119011	Panel, Control White Black
2	W10112899 W10119050	Knob, Control Elephant/Chrome Chrome
3	W10117418	User Interface
4	W10161692	Brace, Top Front
5	8540722	Channel, Water
6	W10217424	Microcomputer, Machine Control
7	W10015090	Screw, 8-18 X 5/8
8	W10201875	Harness, Wiring (Upper Main) (Includes Items 37 & 39 On Page 1)

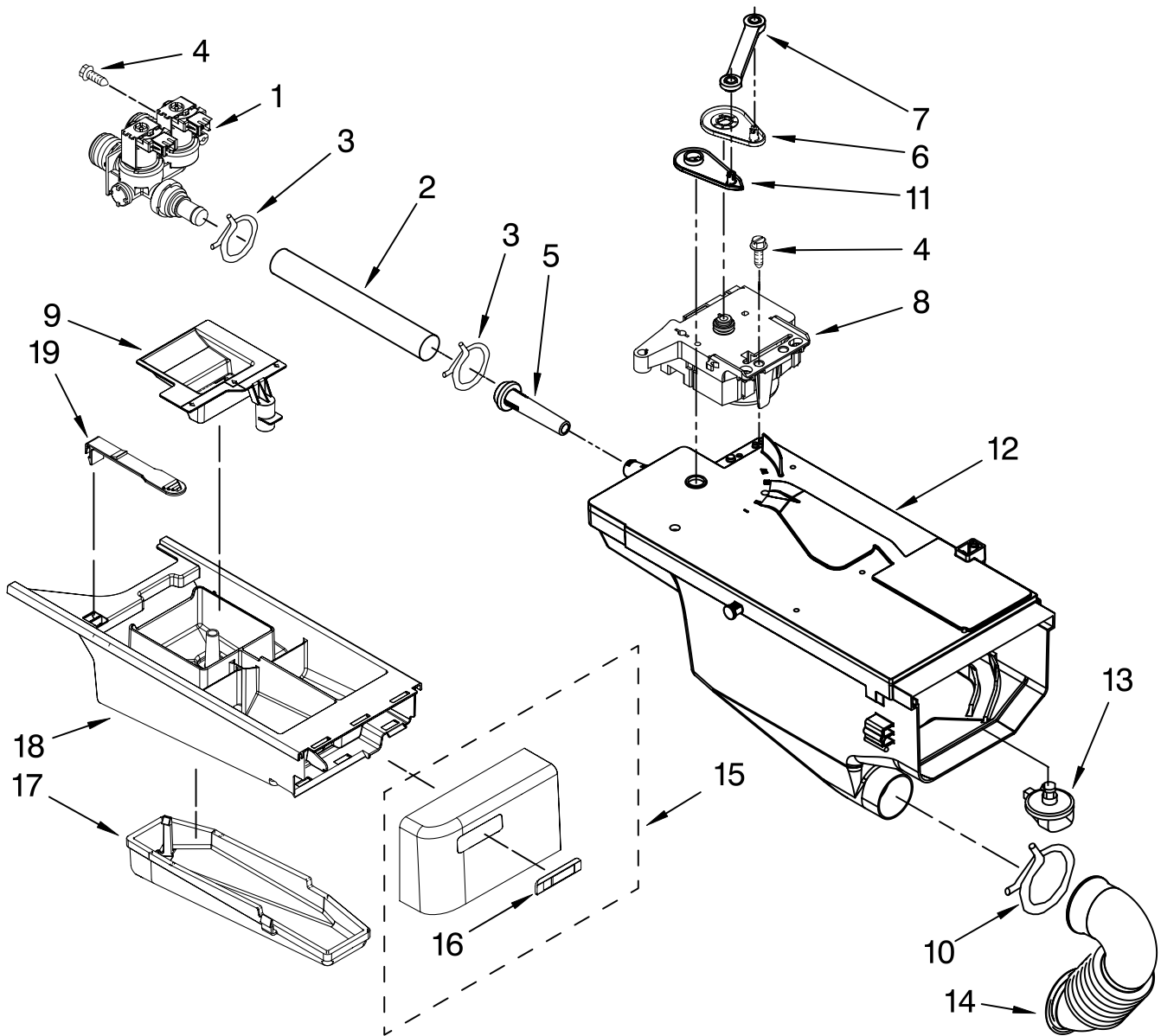
FOR ORDERING INFORMATION REFER TO PARTS PRICE LIST

# DISPENSER PARTS

For Models: MHWZ400TQ02, MHWZ400TB02

(White)

(Black)



Illus. No.	Part No.	DESCRIPTION
1	8540751	Valve, Inlet
2	8540065	Hose, Valve To Dispenser
3	370450	Clamp, Hose
4	8540282	Screw
5	8540042	Nozzle, Inlet
6	8540393	Cam, Actuator
7	8540394	Lever, Water Distribution
8	W10143587	Actuator

Illus. No.	Part No.	DESCRIPTION
9	8540429	Siphon, Bleach/Softener
10	8281276	Clamp, Hose
11	8540395	Connection, Lever
12	8540058	Dispenser
13	8540053	Nozzle, Distribution
14	8540063	Hose, Dispenser To Tub

Illus. No.	Part No.	DESCRIPTION
15		Handle, Drawer
	W10118955	White
	W10118961	Black
16	W10112569	Badge Assembly
17	8540399	Cover, Detergent Drawer
18	8540402	Drawer, Detergent
19	8540400	Hook, Drawer

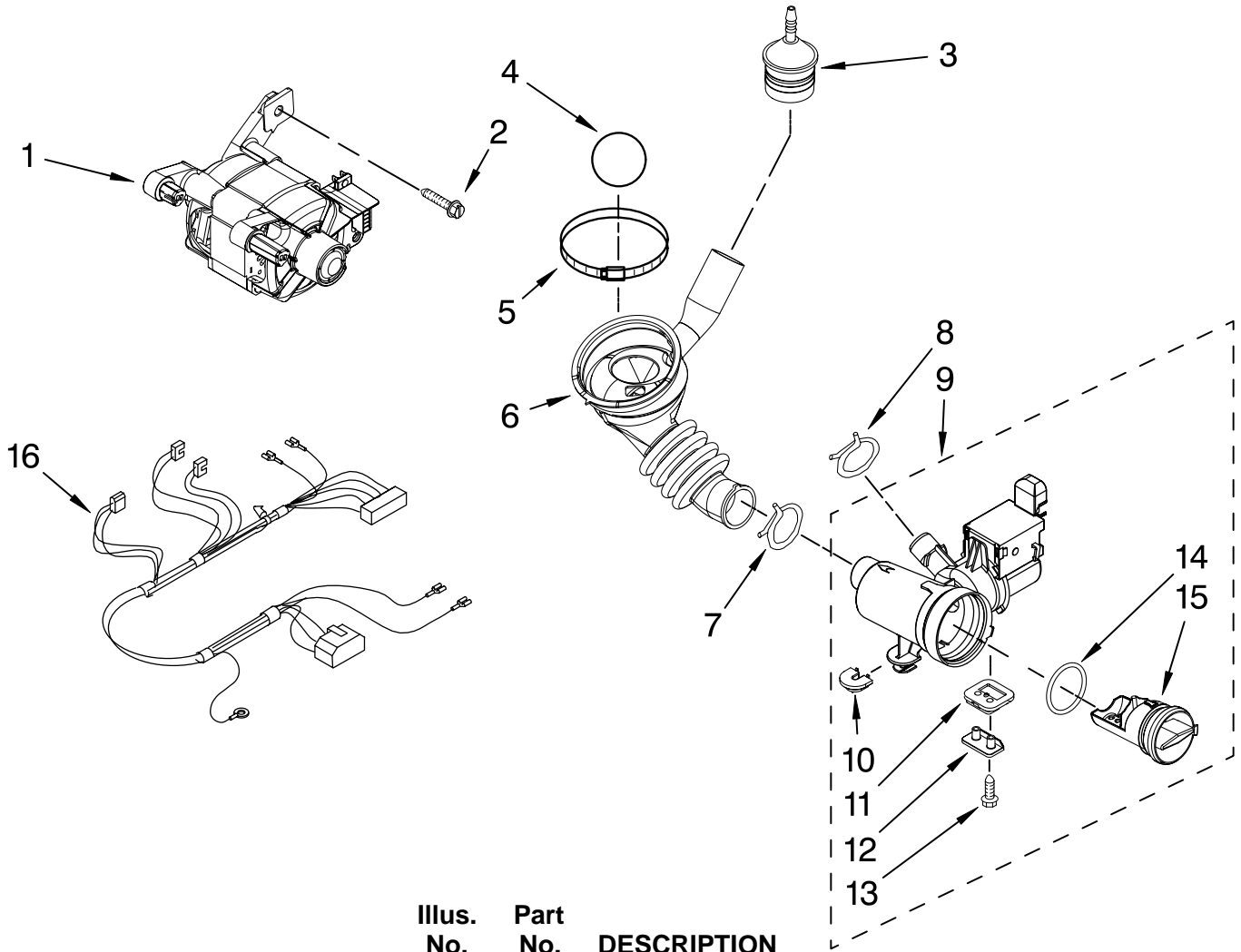
FOR ORDERING INFORMATION REFER TO PARTS PRICE LIST

# PUMP AND MOTOR PARTS

For Models: MHWZ400TQ02, MHWZ400TB02

(White)

(Black)



Illus. No.	Part No.	DESCRIPTION
1	W10171902	Motor, Drive
2	8540134	Bolt, Motor
3	8540180	Air Trap
4	8540013	Ball
5	8540008	Clamp
6	8540012	Hose, Tub to Pump
7	370448	Clamp, Hose
8	356138	Clamp, Drain Hose
9	W10130913	Pump (Complete)
10	W10034820	Foot, Rubber (Slider)
11	W10034830	Foot, Rubber (Lock)
12	8540033	Cap, Lock Foot
13	8533964	Screw, 10-16 x 1.25 (2)
14	8540025	Seal, Filter Cap
15	8540996	Filter Assembly (Includes Item 14)
16	W10201879	Harness, Motor

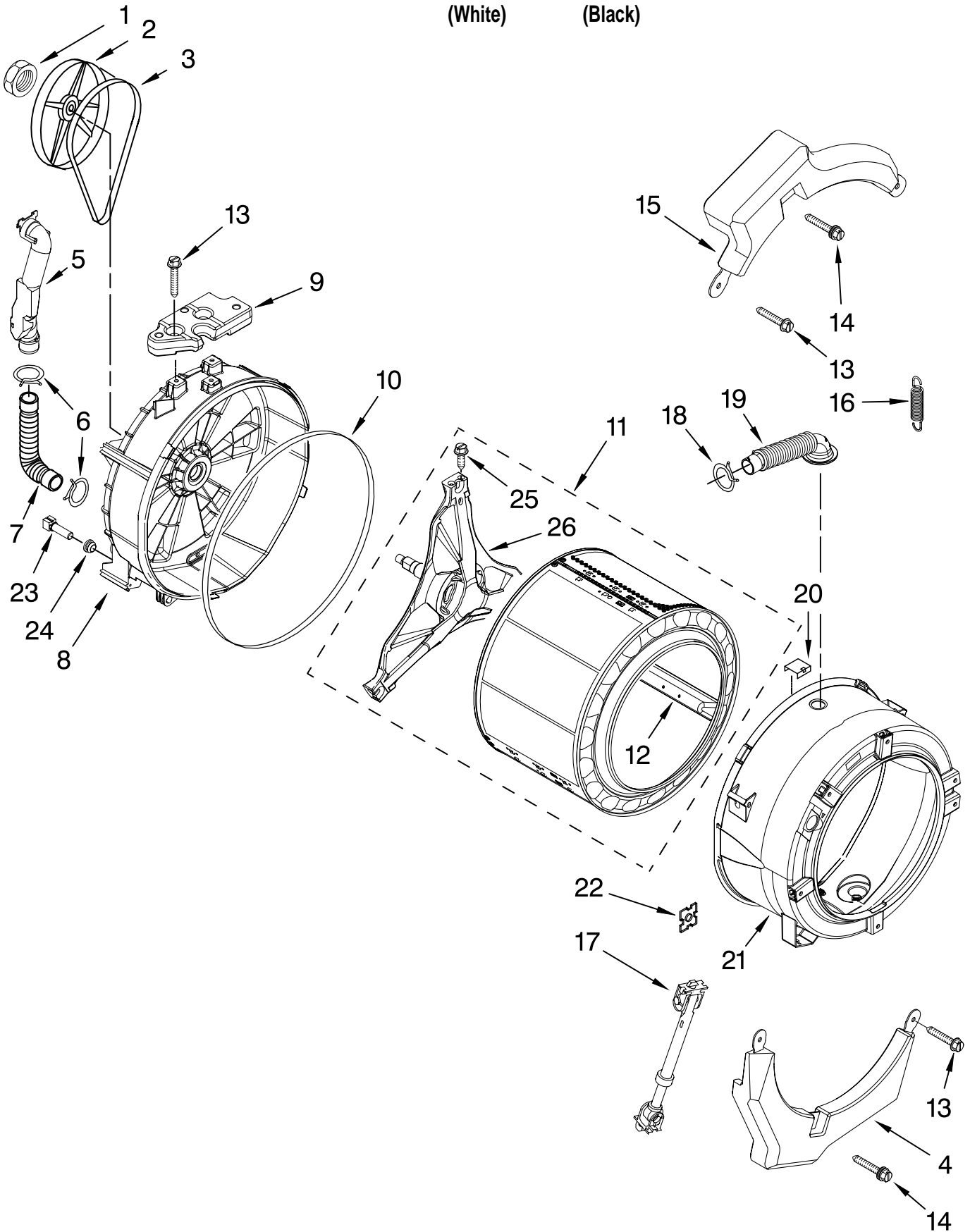
FOR ORDERING INFORMATION REFER TO PARTS PRICE LIST

# TUB AND BASKET PARTS

For Models: MHWZ400TQ02, MHWZ400TB02

(White)

(Black)



FOR ORDERING INFORMATION REFER TO PARTS PRICE LIST

# TUB AND BASKET PARTS

For Models: MHWZ400TQ02, MHWZ400TB02

(White)

(Black)

<u>Illus. No.</u>	<u>Part No.</u>	<u>DESCRIPTION</u>
1	8533999	Nut, Pulley
2	8540088C	Pulley
3	W10116215	Belt, Drive
4	W10151304	Counterweight, Front Lower
5	W10112169	Pipe, Ventilation
6	8540010	Clamp, Vent Hose
7	8540019	Hose, Exhaust
8	W10202943	Tub, Rear (Includes Items 10, 21 & 22)
9	W10132097	Counterweight, Rear
10	8540090	Gasket, Tub
11	W10112984	Basket, Complete
12	W10112972	Baffle, Tub
13	W10094780	Bolt, Counterweight Mtg.
14	W10174473	Bolt Assembly, Counterweight Center Hole
15	W10151303	Counterweight, Front Upper
16	W10010360	Spring, Suspension
17	W10159465	Shock Absorber (4)
18	3363365	Clamp, Hose
19	8540015	Hose, Exhaust
20	8540092	Clamp, Tub
21	W10112661	Tub, Front (Includes Items 8, 10 & 22)
22	8540072	Nut, Push-In
23	8540226	Negative Thermistor Control
24	8540766	Seal, Rubber
25	8540382	Screw
26	8540342	Crosspiece Assembly

FOR ORDERING INFORMATION REFER TO PARTS PRICE LIST



# OPTIONAL PARTS (NOT INCLUDED)

For Models: MHWZ400TQ02, MHWZ400TB02

(White)

(Black)

<b>Illus.</b>	<b>Part</b>	
<b>No.</b>	<b>No.</b>	<b>DESCRIPTION</b>

## PAINT, TOUCH-UP (1/2oz.)

72017 White  
72032 Black

## PAINT, PRESSURIZED SPRAY (12 oz.)

350938 Primer, Gray  
350930 White  
285006 Black

## PAINT, BULK (1 qt.)

799344 White (Uncut)  
786032 Black (Uncut)

## ACCESSORY PARTS

285863 Drain Extension  
W10135699 Affresh  
Odor Remover

FOR ORDERING INFORMATION REFER TO PARTS PRICE LIST