



**ML-75 Wet Wash
Parts Manual
24 VAC
1997 / 1998**

American Dryer Corporation
88 Currant Road
Fall River, MA 02720-4781
Telephone: (508) 678-9000 / Fax: (508) 678-9447
E-mail: techsupport@amdry.com

Retain This Manual In A Safe Place For Future Reference

American Dryer Corporation products embody advanced concepts in engineering, design, and safety. If this product is properly maintained, it will provide many years of safe, efficient, and trouble-free operation.

ONLY qualified technicians should service this equipment.

OBSERVE ALL SAFETY PRECAUTIONS displayed on the equipment or specified in the installation/operator's manual included with the dryer.

The following "FOR YOUR SAFETY" caution **must be** posted near the dryer in a prominent location.

FOR YOUR SAFETY

Do not store or use gasoline or other flammable vapors or liquids in the vicinity of this or any other appliance.

POUR VOTRE SÉCURITÉ

Ne pas entreposer ni utiliser d'essence ni d'autres vapeurs ou liquides inflammables dans le voisinage de cet appareil ou de tout autre appareil.

We have tried to make this manual as complete as possible and hope you will find it useful. **ADC** reserves the right to make changes from time to time, without notice or obligation, in prices, specifications, colors, and material, and to change or discontinue models.

Important

For your convenience, log the following information:

DATE OF PURCHASE _____ MODEL NO. **ML-75 Wet Wash**

DISTRIBUTORS NAME _____

Serial Number(s) _____

Replacement parts can be obtained from your distributor or the **ADC** factory. When ordering replacement parts from the factory, you can FAX your order to **ADC** at (508) 678-9447 or telephone your orders directly to the **ADC** Parts Department at (508) 678-9000. Please specify the dryer **model number** and **serial number** in addition to the **description** and **part number**, so that your order is processed accurately and promptly.

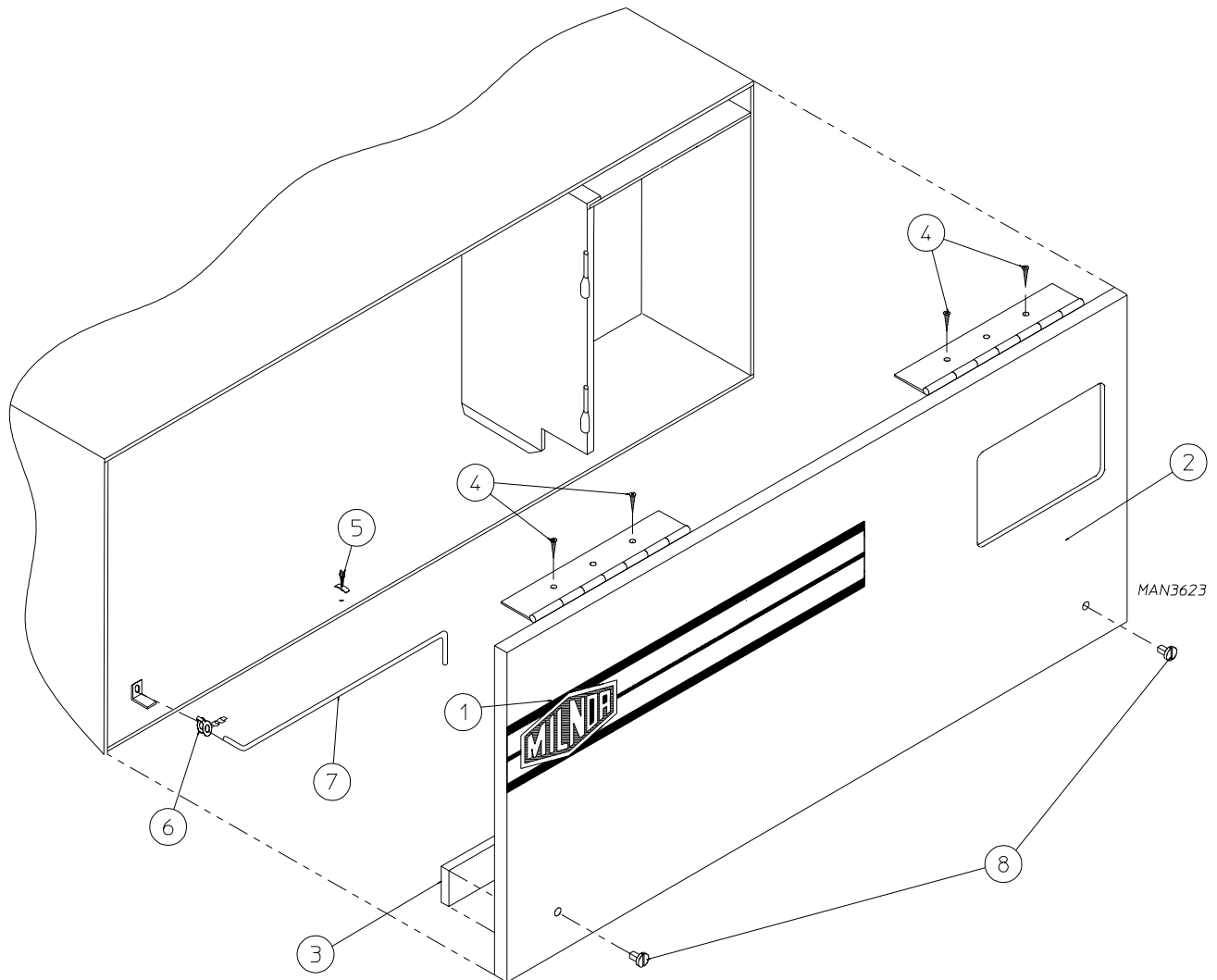
The illustrations on the following pages may not depict your particular dryer exactly. The illustrations are a composite of the various dryer models. Be sure to check the descriptions of the parts thoroughly before ordering.

"IMPORTANT NOTE TO PURCHASER"

Information must be obtained from your local gas supplier on the instructions to be followed if the user smells gas. These instructions must be posted in a prominent location near the dryer.

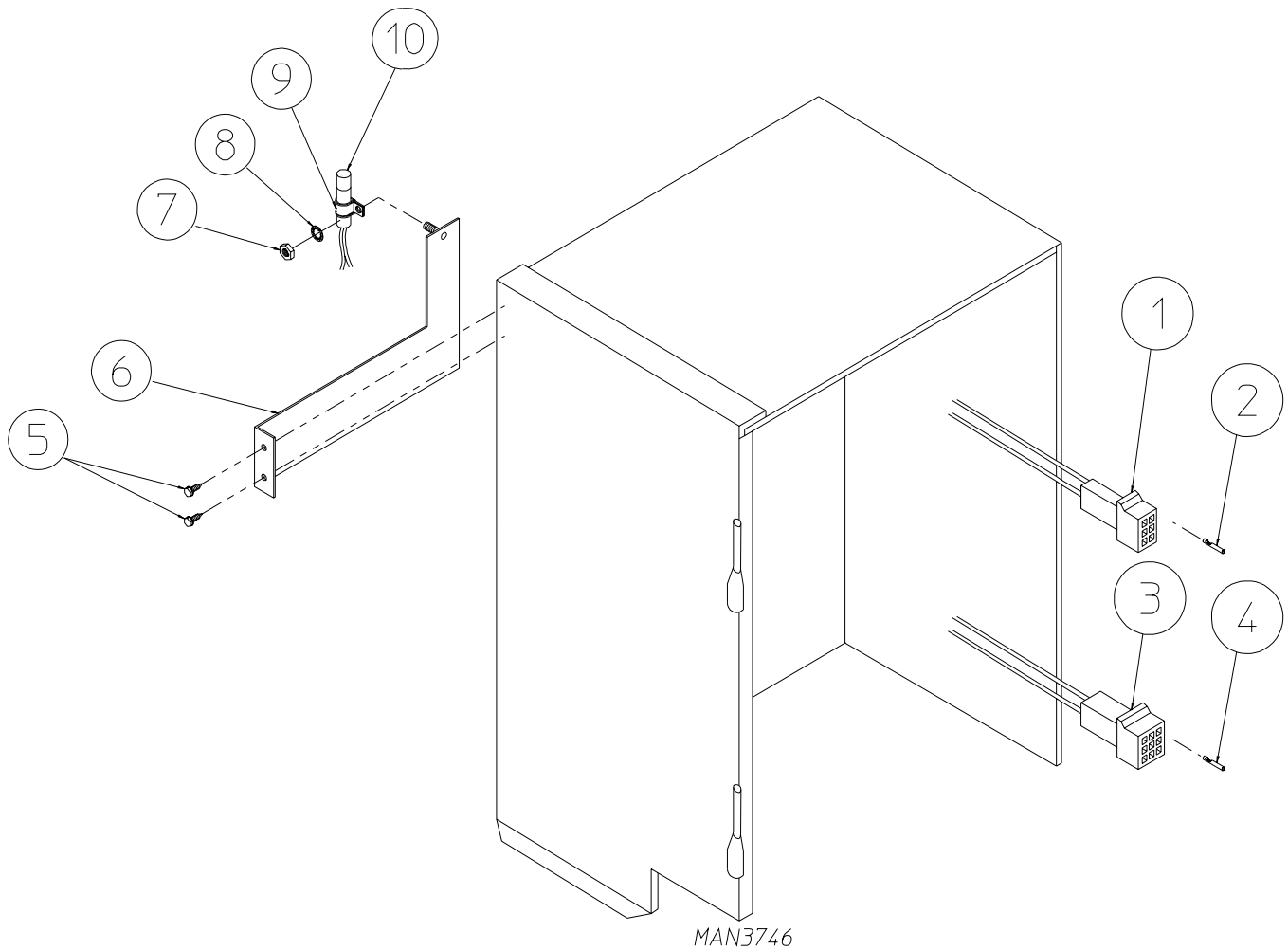
Table of Contents

Control Door Assembly	2
Inlet Humidity Sensor Assembly	3
Control Door Assembly for Round Door	4, 5
Front Panel and Main Door Assemblies for models mfd. prior to March 23, 1998	6, 7
Front Panel and Main Door Assemblies for models mfd. as of March 23, 1998	8, 9
Microprocessor Control Panel Assembly	10
Front and Panel Main Door Assemblies for models mfd. with large square door assembly	11
Main Door Switch for models mfd. as of March 23, 1998	12
Main Door Switch for models mfd. prior to March 23, 1998	13
Drop Lint Door Assembly	14
Lint Trap Assembly	15
Basket (Tumbler) and Support Assemblies for models mfd. with 37 1/4" round door or large square door	16
Basket (Tumbler) and Support Assemblies for models mfd. with 25 5/8" round door	17
Tumbler Hi-Limit Sensor Bracket	18
Idler Bearing Assembly	19
Tumbler Bearing Assembly	20, 21
Non-Reversing Totally Enclosed, Fan-Cooled (T.E.F.C.) Motor Mount Assembly	22, 23
Burner Box Assembly	24, 25
Electric Oven Assembly	26, 27
Sail Switch and Hi-Limit	28
Humidity Transmitter Assembly	29
Rear Electric Panel	30
Rear Electric Panel Assembly 416 Volt Models ONLY	31
Disconnect Panel Assembly 115 Volt Gas Models ONLY	32
Disconnect Panel Assembly 208-240 Volt Gas Models ONLY	33
Main Electrical Disconnect Panel Assembly for Gas Models ONLY	34
Main Electrical Disconnect Panel Assembly for Electric Models ONLY	35
Air Jet and Exhaust Humidity Sensor Assemblies	36
Rear & Top Panel Assembly for Gas Models ONLY	37
Rear & Top Panel Assembly for Electric Models ONLY	38
Electric Oven Component Application Chart	39

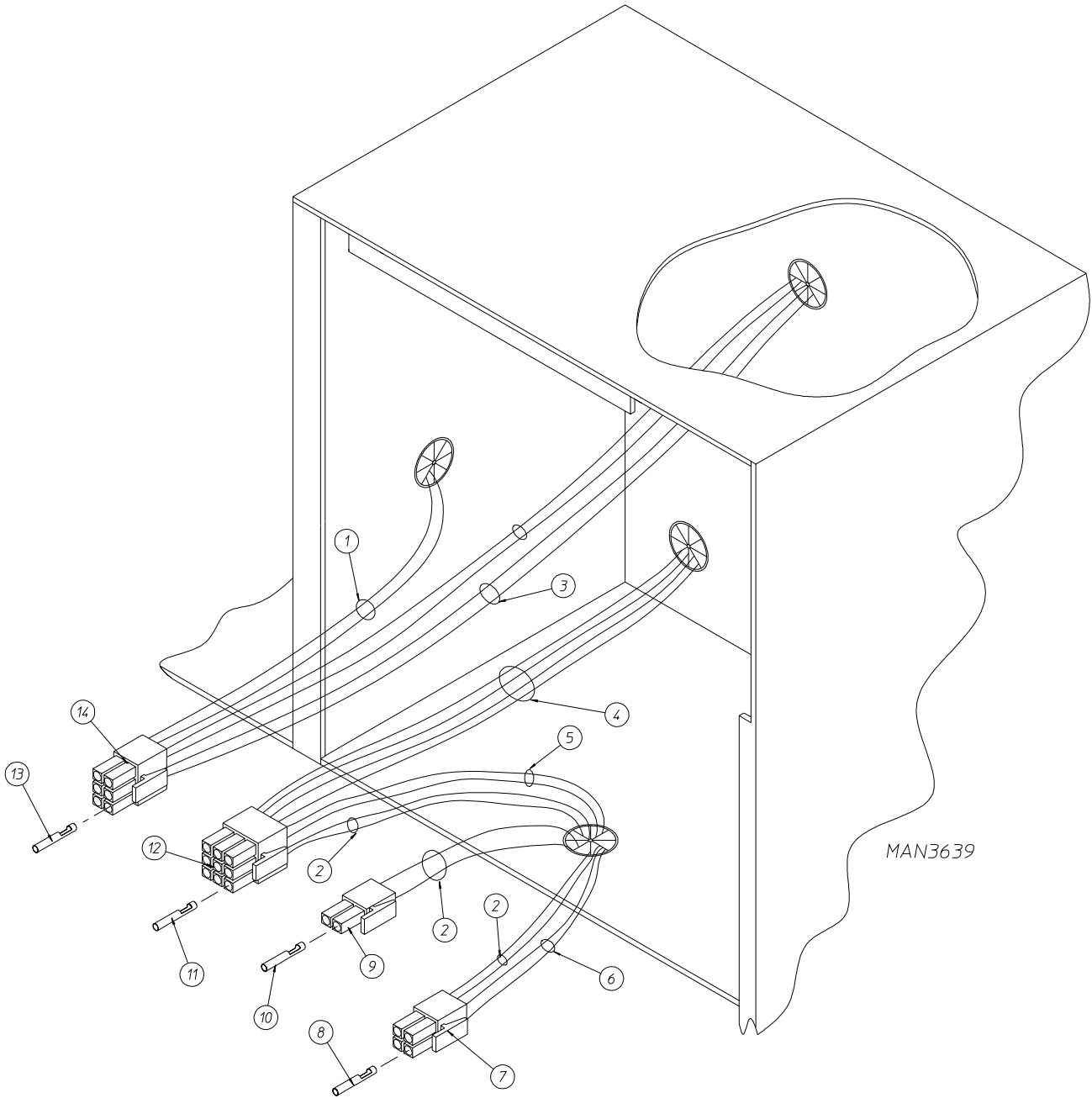


<u>Illus. No.</u>	<u>Part No.</u>	<u>Qty.</u>	<u>Description</u>
1	112366	1	Milnor Logo ONLY
2*	881957	1	Stainless Steel Control Door Assembly (includes illus. nos. 2, 3, 7, and 8) (For models mfd. as of March 23, 1998)
	881046	1	Stainless Steel Control Door Assembly (includes illus. nos. 2, 3, 7, and 8) (For models mfd. prior to March 23, 1998)
3	117600	4	Noise Suppression Tape (sold by the foot)
4	150309	4	#10-16 x 1/2" Hex Crimptite Screw
5	102600	1	Control Door Rod Support Catch
6	102601	1	Control Door Rod Retainer Clip
7	102502	1	Control Door Support Rod
8	160005	2	Spring Turn Latch (2-piece)

* Specify color when ordering.

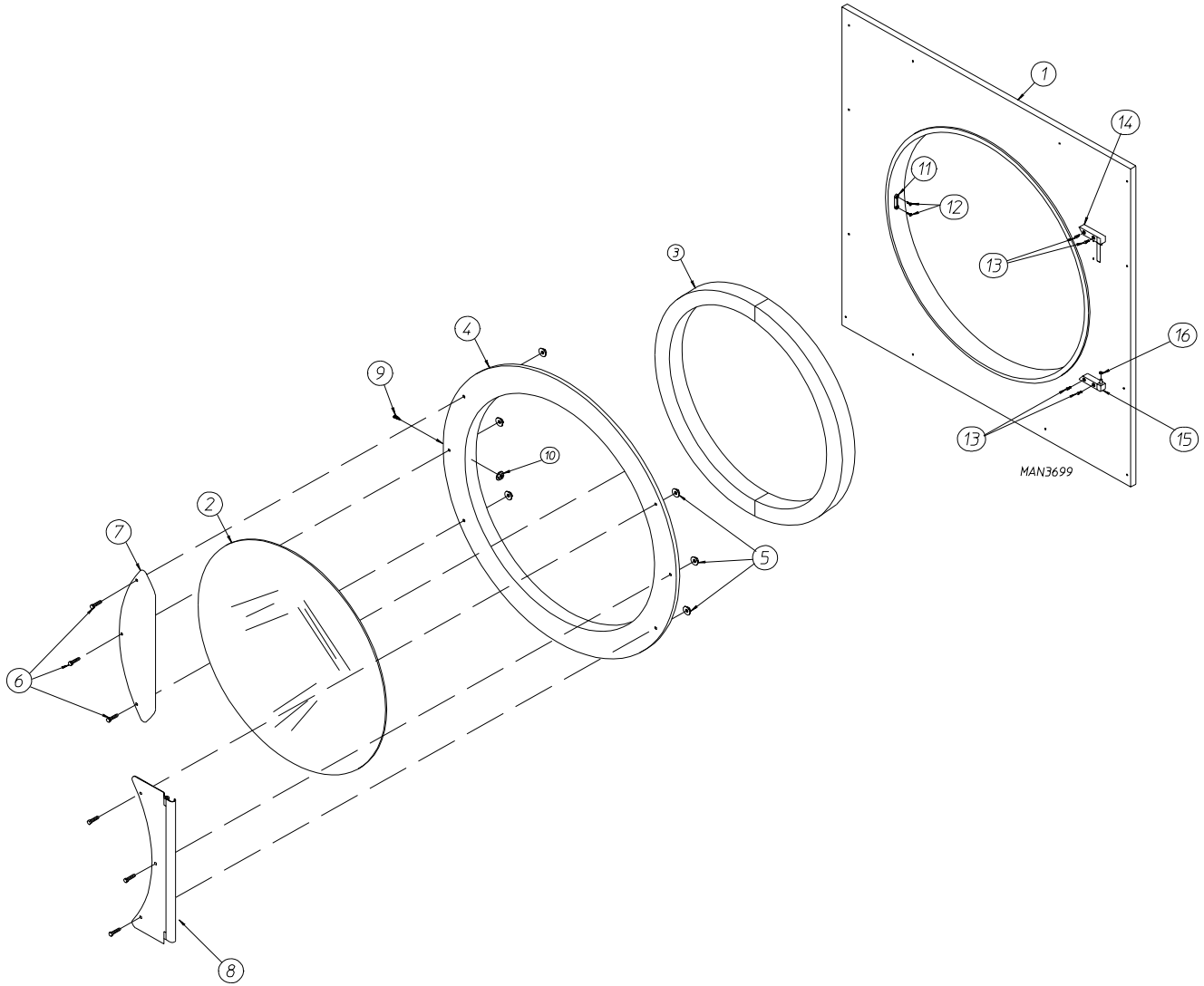


<u>Illus. No.</u>	<u>Part No.</u>	<u>Qty.</u>	<u>Description</u>
1	122644	1	6-Position Socket Connector
2	122706	4	Sockets
3	122640	1	9-Position Socket Connector
4	122706	6	Sockets
5	150309	2	10-16 x 1/2" Hex Head Crimptite Screw
6	319754	1	Inlet Humidity Sensor Bracket
7	152001	1	8-32 Hex Nut
8	153018	1	8 Star Washer
9	121488	1	3/8" Rubber Cushioned Clamp
10	136989	1	Humidity Sensor Assembly



<u>Illus. No.</u>	<u>Part No.</u>	<u>Qty.</u>	<u>Description</u>
1	881790	1	Burner Control Wiring
2	881789	1	Basket (Tumbler) Hi-Limit Temperature Sensor Harness
3	881637	1	Sail Switch Hi-Limit Harness
4	881788	1	ML-75 Power Control Harness (for Non-Reversing Gas Models Only)
	881787	1	ML-75 Power Control Harness (for Reversing Gas Models Only)
	881786	1	ML-75 Power Control Harness (for Non-Reversing Steam Models Only)
	881787	1	ML-75 Power Control Harness (for Reversing Steam Models Only)
5	881785	1	ML-75 Door Switch Harness
6	824993	1	Rotational Sensor Harness (Front Wiring Box to Rear Wiring Box)
	824994	1	Rotational Sensor Harness (Rear Wiring Box to Sensor)
7	122648	1	4-Pin Connector
8	122706	4	Socket Terminal ONLY
9	122646	1	2-Pin Connector
10	122706	2	Socket Terminal ONLY
11	122706	9	Socket Terminal ONLY
12	122640	1	9-Pin Connector
13	122706	6	Socket Terminal ONLY
14	122644	1	6-Pin Terminal

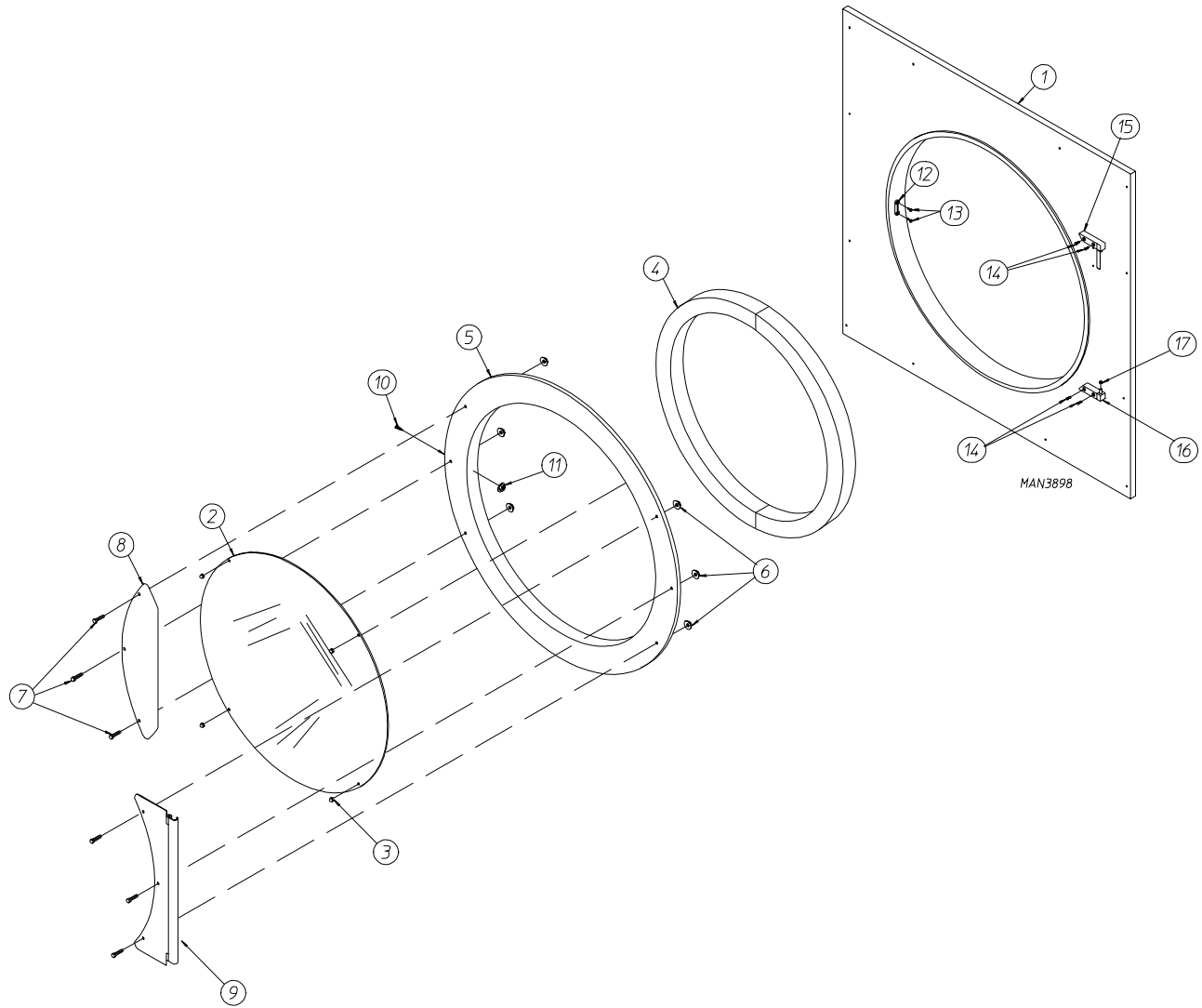
for models mfd. prior to March 23, 1998 with 25 5/8" round door



for models mfd. prior to March 23, 1998 with 25 5/8" round door

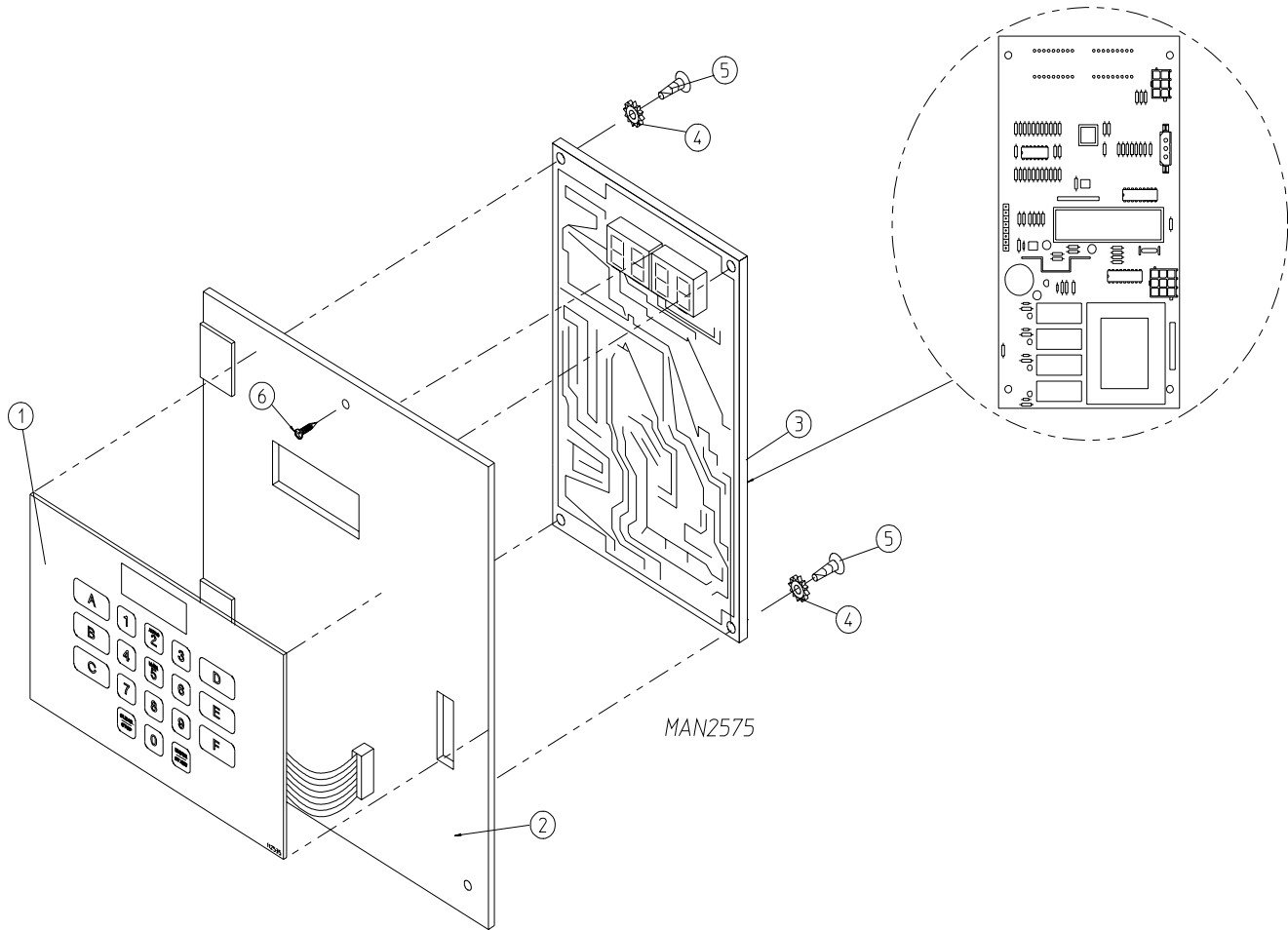
<u>Illus. No.</u>	<u>Part No.</u>	<u>Qty.</u>	<u>Description</u>
1	881289	1	Stainless Steel Front Panel Assembly (includes illus. nos. 1, 11, and 12)
2	102211	1	Door Glass
	170730	1	Door Glass Adhesive (10.3 oz cartridge)
3	102354	1	Door Gasket
	170730	1	Door Gasket Adhesive (10.3 oz cartridge)
4	881207	1	Stainless Steel Main Door Assembly Complete (includes illus. nos. 3 through 10 and 13 through 16)
5	152014	6	1/4-20 Free Spin Washout
6	150682	6	1/4-20 x 5/8" Polished Head Carriage Bolt
7	170333	1	Stainless Steel Main Door Handle ONLY
8	851032	1	Stainless Steel Main Door Hinge ONLY
9	150120	1	Door Latch Screw
10	151009	1	#10-32 Stainless Steel Hex Acorn Nut
11	170330	1	Friction Door Latch
12	154215	2	1/8" Pop Rivet
13	150443	4	1/4-20 x 7/8" Stainless Steel Cap Head Set Screw
14	881208	1	Stainless Steel Top Hinge Block Assy. (includes illus. nos. 13 and 14)
15	881209	1	Stainless Steel Bottom Hinge Block (includes illus. nos. 13, 15, and 16)
16	153031	1	1/4" Nylon Washer

for models mfd. as of March 23, 1998 with 37 1/4" round door



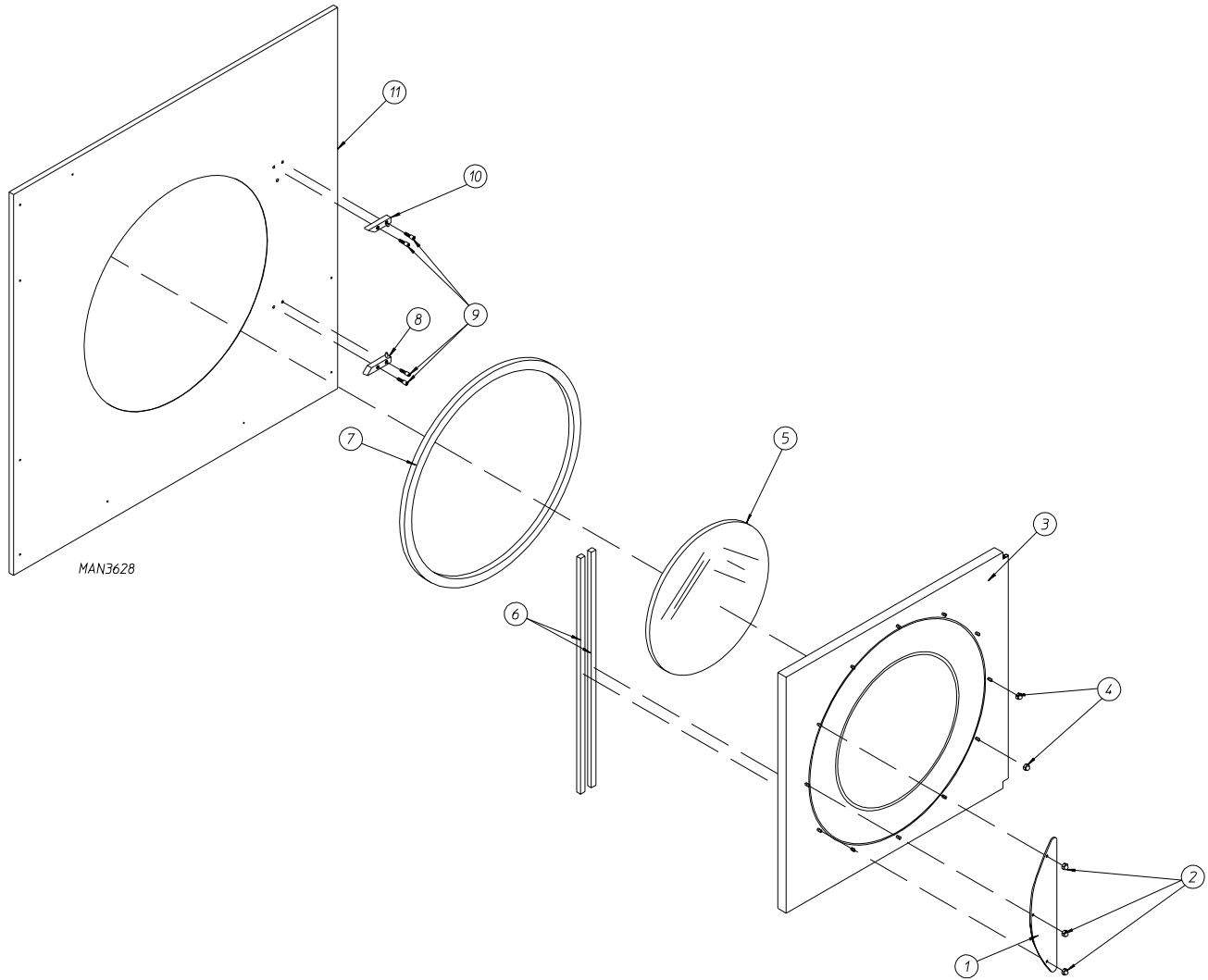
for models mfd. as of March 23, 1998 with 37 1/4" Round Door

<u>Illus. No.</u>	<u>Part No.</u>	<u>Qty.</u>	<u>Description</u>
1	882001	1	Stainless Steel Front Panel (includes illus. nos. 1, 12, and 13)
2	102214	1	30" Door Glass with Holes
3	151012	4	#10-32 White Nylon Acorn Nut
4	102357	1	Door Gasket
5	882013	1	Stainless Steel Main Door Assembly Component (includes illus. nos. 2 through 11)
	882012	1	Stainless Steel Main Door Ring Only
6	152014	6	1/4-20 Free Spin Washout
7	150682	6	1/4-20 x 5/8" Polished Head Carriage Bolt
8	314755	1	Stainless Steel Large Main Door Handle
9	882011	1	Stainless Steel Main Door Hinge
10	150120	1	Door Latch Screw
11	152008	1	#10-32 Hex Nut
12	170330	1	Friction Door Catch
13	154215	2	5/32" Pop Rivet
14	150443	4	1/4-20 x 7/8" Stainless Steel Cap Head Set Screw
15	881208	1	Stainless Steel Top Hinge Block Assembly (includes illus. nos. 14 and 15)
16	881209	1	Stainless Steel Bottom Hinge Block Assembly (includes illus. nos. 14, 16 and 17)
17	153031	1	1/4" Nylon Washer



<u>Illus. No.</u>	<u>Part No.</u>	<u>Qty.</u>	<u>Description</u>
1	112535	1	OPL English Keyboard Label Assembly
2	801225	1	Phase 5 Microprocessor Control Panel Only
	881319	1	Wet Wash Phase 5 Microprocessor Control Panel Assembly Complete (includes illus. nos. 1 through 5)
3	137108	1	Wet Wash Microprocessor Board
4	153010	2	#6 Star Washer
5	150005	2	#6-32 x 1/4" Phillips Round Head Machine Screw
6	150309	1	#10-16 x 1/2" Hex Head Crimpite Screw

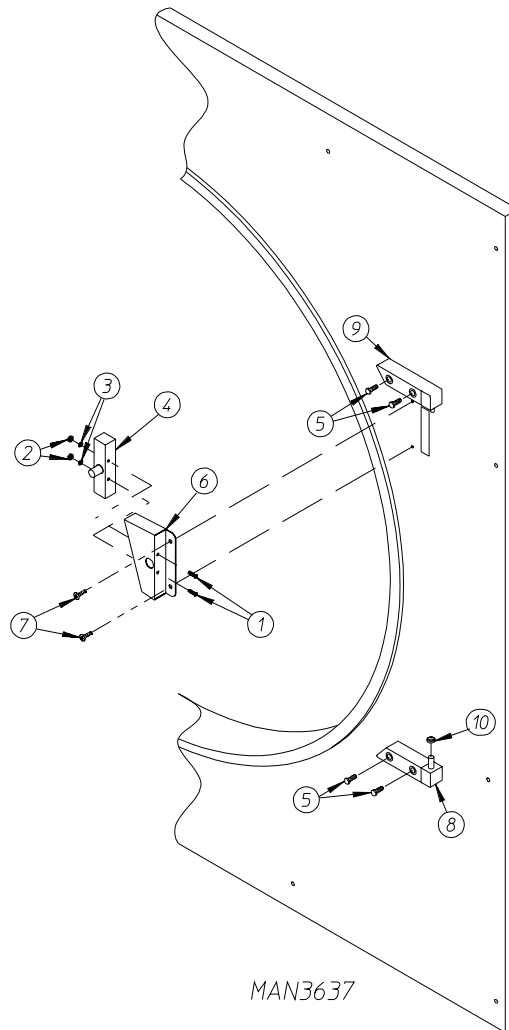
for models mfd. with large square door assembly



<u>Illus. No.</u>	<u>Part No.</u>	<u>Qty.</u>	<u>Description</u>
1*	390160	1	Stainless Steel Main Door Handle
2	151011	3	5/16-18 Acorn Nut
3*	881959	1	Front Panel and Main Door Assembly
	881958	1	Main Door ONLY (includes illus. nos. 1 through 7)
4	151011	9	5/16-18 Acorn Nut
5	102210	1	20-7/16" Door Glass
	170730	1	Door Glass Adhesive (10.3 oz. cartridge)
6	102112	2	Door Magnet (5/16" x 1/4" x 34-3/4")
7	102356	1	Main Door Gasket (13-1/6" x 1-3/8" x 97-1/2")
8	881209	1	Stainless Steel Bottom Hinge Block
9	150443	4	1/4-20 x 3/4" Stainless Steel Cap Screw
10	881208	1	Stainless Steel Top Hinge Block
11*	881960	1	Stainless Steel Front Panel Assembly

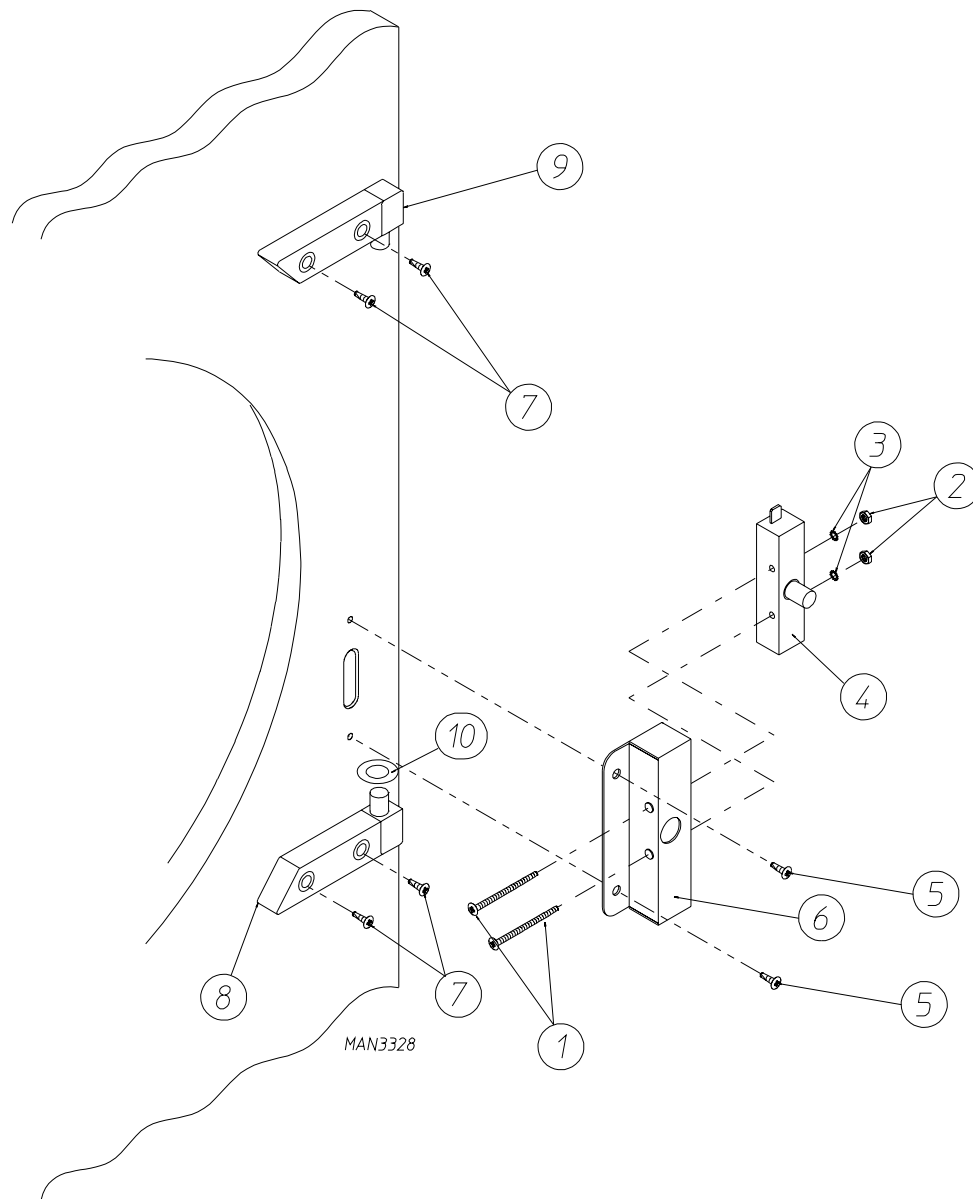
* Specify color when ordering

for models mfd. as of March 23, 1998 with 37 1/4" Round Door

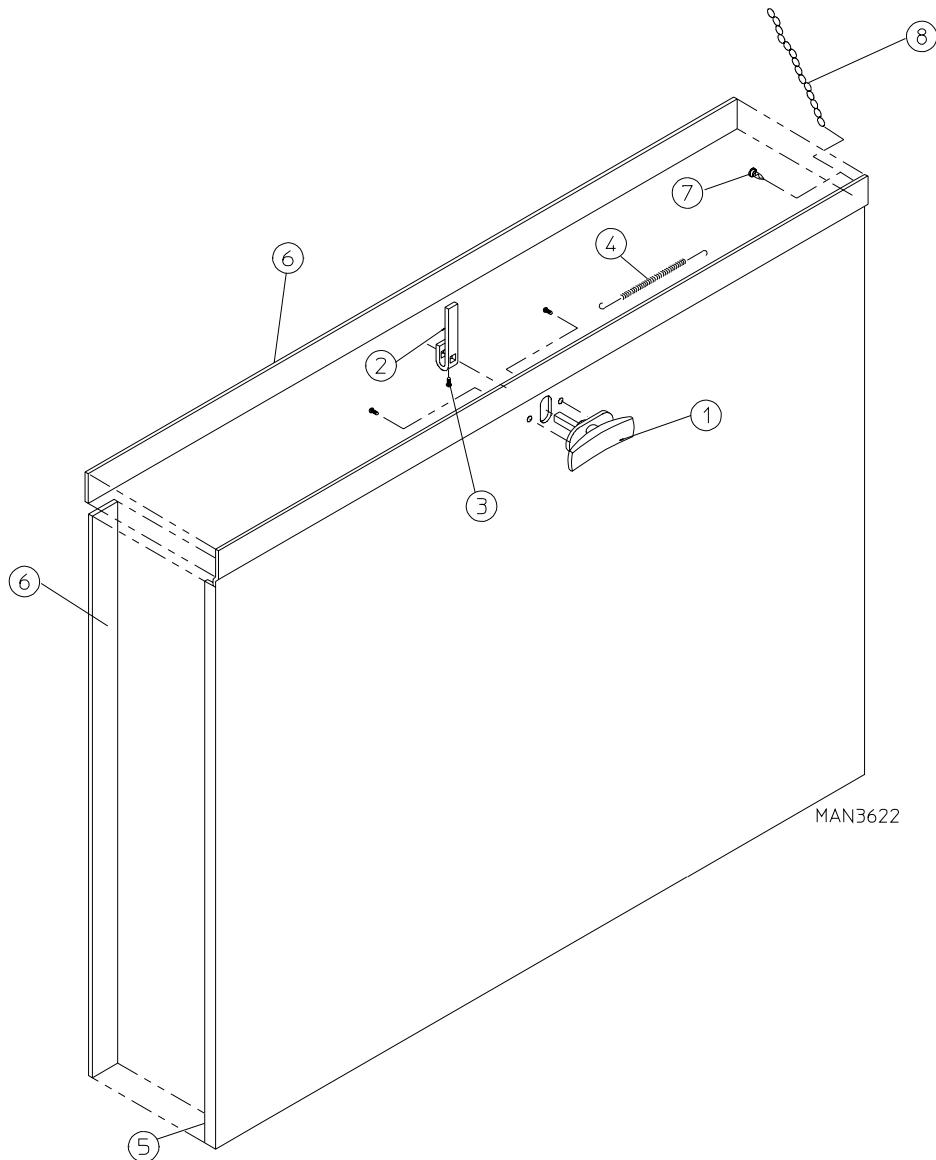


<u>Illus. No.</u>	<u>Part No.</u>	<u>Qty.</u>	<u>Description</u>
1	150006	2	#6-32 x 7/8" Phillips Pan Head Machine Screw
2	152013	2	#6-32 Hex Nut
3	153010	2	#6 Star Washer
4	137005	1	Single Pole Door Switch
5	150443	4	1/4-20 x 3/4" Stainless Steel Cap Screw
6	314759	1	Stainless Steel Door Switch Housing ONLY
	882104	1	Stainless Steel Door Switch with Housing Assembly (includes illus. nos. 1 through 4 and 6)
7	150301	2	#8-18 x 7/16" Phillips Pan Head TEK Screw
8	881209	1	White Bottom Hinge Block (includes illus. nos. 5 and 8)
9	881208	1	White Top Hinge Block (includes illus. nos. 5 and 9)
10	153031	1	Nylon Washer

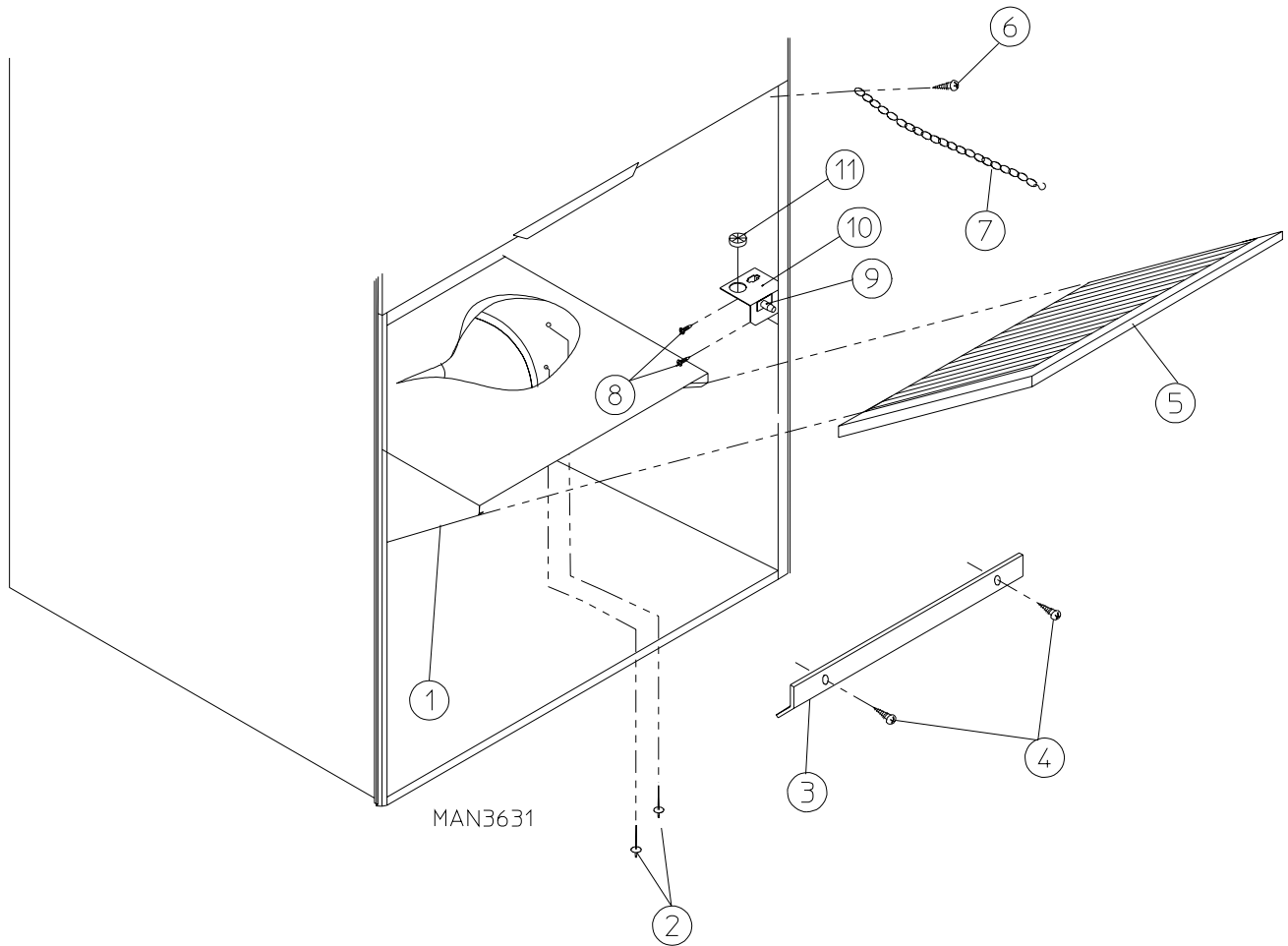
for models mfd. prior to March 23, 1998 with 25 5/8" round door or large square door



Illus. No.	Part No.	Qty.	Description
1	150006	2	#6-32 x 7/8" Phillips Pan Head Machine Screw
2	152013	2	#6-32 Hex Nut
3	153010	2	#6 Star Washer
4	137005	1	Single Pole Door Switch
5	150301	2	#8-18 x 7/16" Phillips Pan Head TEK Screw
6	353162	1	Door Switch Housing ONLY
7	150443	4	1/4-20 x 3/4" Stainless Steel Cap Screw
8	881209	1	White Bottom Hinge Block (includes illus. nos. 7 and 8)
9	881440	1	Stainless Steel Top Hinge Block (includes illus. nos. 7 and 9)
10	153031	1	Nylon Washer

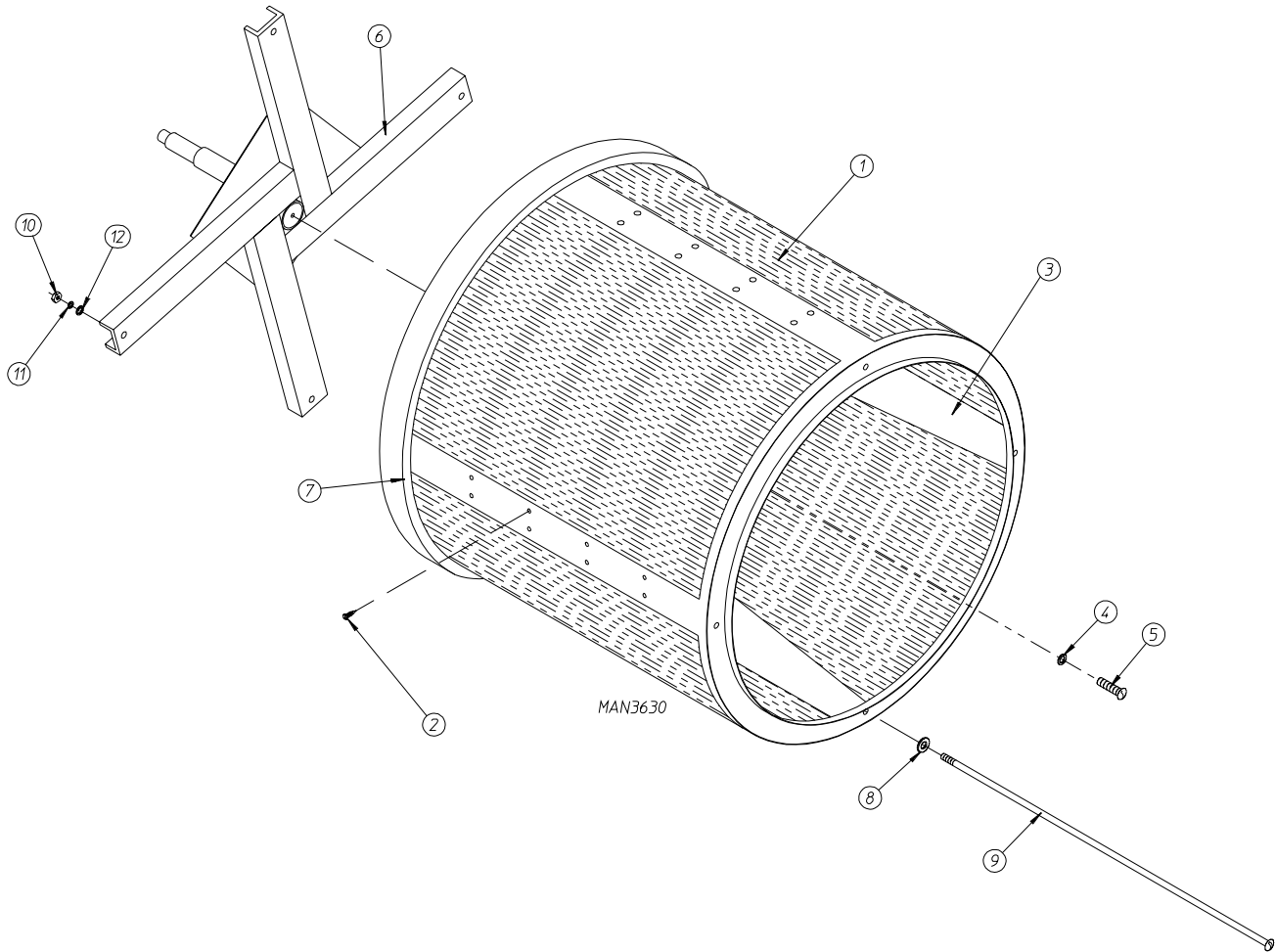


<u>Illus. No.</u>	<u>Part No.</u>	<u>Qty.</u>	<u>Description</u>
1	800150	1	Knob Latch Kit Assembly (includes illus. nos. 1 through 3)
	160200	1	Knob Latch ONLY with 2 Screws (without cam)
2	160009	1	Knob Latch Adjustable Cam ONLY
3	150425	1	#12-24 x 3/8" Round Head Machine Screw ONLY (screw for Knob Latch Adjustable Cam)
4	157000	1	Drop Lint Door Spring
5	882015	1	Insulated Drop Lint Door Assembly (includes illus. nos. 5 and 6)
6	117600	7	Noise Suppressor Tape (sold by the foot)
7	150419	2	#6 x 1/2" Tamper Proof TEK Screw
	150418	1	Tamper Proof Screw Hand Driver
8	108120	1	Chain for Drop Lint Door (10-1/2" length)



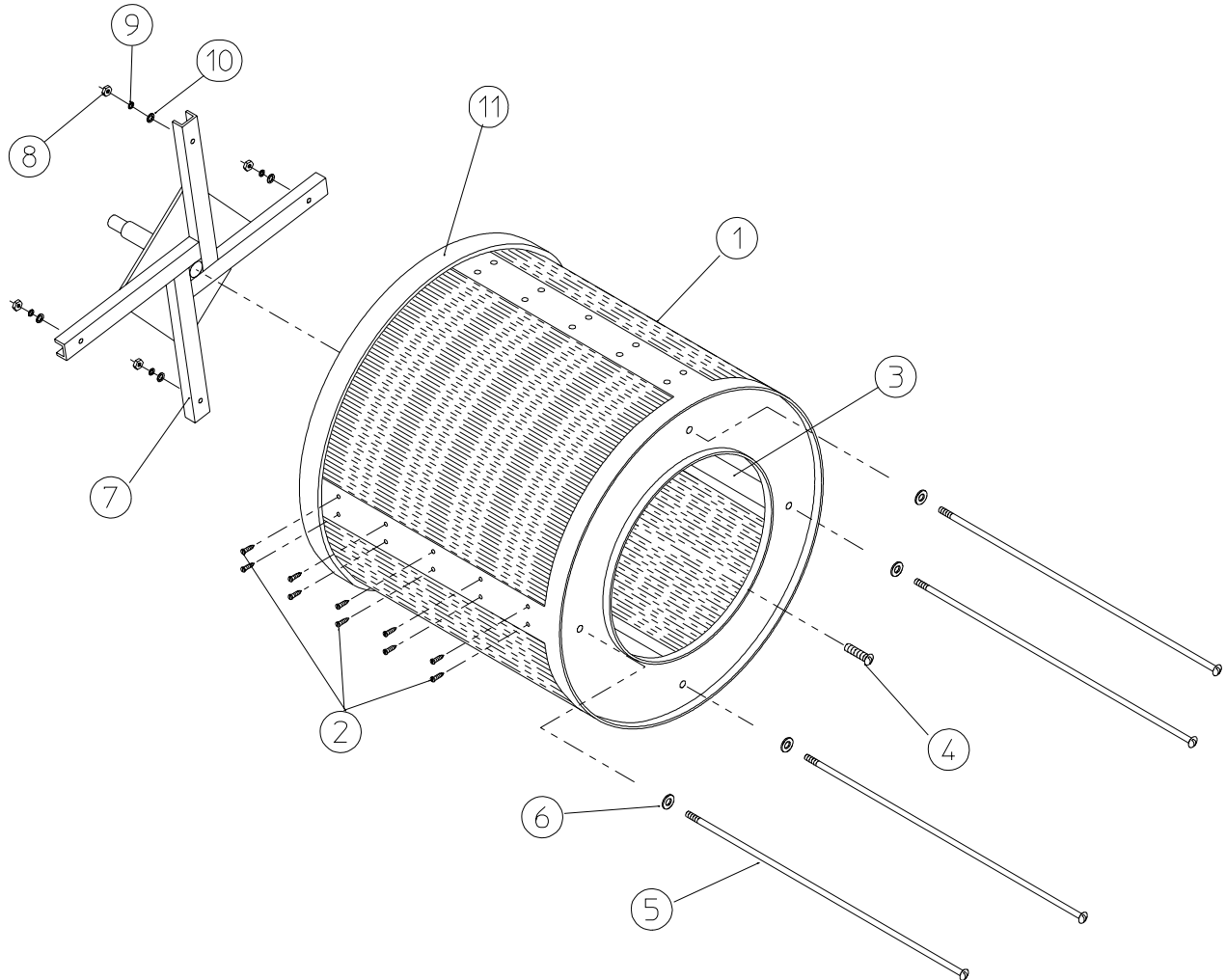
<u>Illus. No.</u>	<u>Part No.</u>	<u>Qty.</u>	<u>Description</u>
1	800420	1	Non-Reversing Lint Trap Assembly Complete (includes illus. nos. 1, 3, 4, and 5)
	800421	1	Non-Reversing Lint Trap ONLY
2	154200	7	5/32" Pop Rivet
3	304101	1	Lint Screen Holder ONLY
4	150300	2	#10 x 1/2" Hex Washer TEK Screw
5	800506	1	Lint Screen ONLY
6	150419	2	#6 x 1/2" Tamper proof TEK Screw
	150418	1	Tamper proof Screw Hand Driver
7	108120	1	Chain for Drop Lint Door (10-1/2" length)
8	150425	2	#12-24 x 3/8" Phillips Round Head Screw
9	122116	1	Lint Drawer Switch ONLY
10	323724	1	Lint Drawer Switch Bracket

for models mfd. with 37 1/4" round door or large square door



<u>Illus. No.</u>	<u>Part No.</u>	<u>Qty.</u>	<u>Description</u>
1	881961	1	Basket (Tumbler) ONLY
	881962	1	1-3/4" Non-Reversing Basket (Tumbler) and Support Assembly Complete (includes illus. nos. 1 through 12)
2	150309	40	#10-16 x 1/2" Phillips Round Head Crimptite Screw
3	301435	4	Stainless Steel Basket (Tumbler) Rib ONLY
4	153002	1	5/16" Lock Washer
5	150500	1	5/16-18 x 3/4" Socket Button Head Screw
6	881778	1	1-3/4" Non-Reversing Basket (Tumbler) Support ONLY
7	116000	1	Felt Collar ONLY
	401010	1	#847 Adhesive for Felt Collar
8	153004	4	3/8" Flat Washer
9	100905	4	3/8-16 x 37" Tie Rod
10	152005	4	3/8-16 Hex Nut
11	153005	4	3/8" Lock Washer
12	153004	4	3/8" Flat Washer

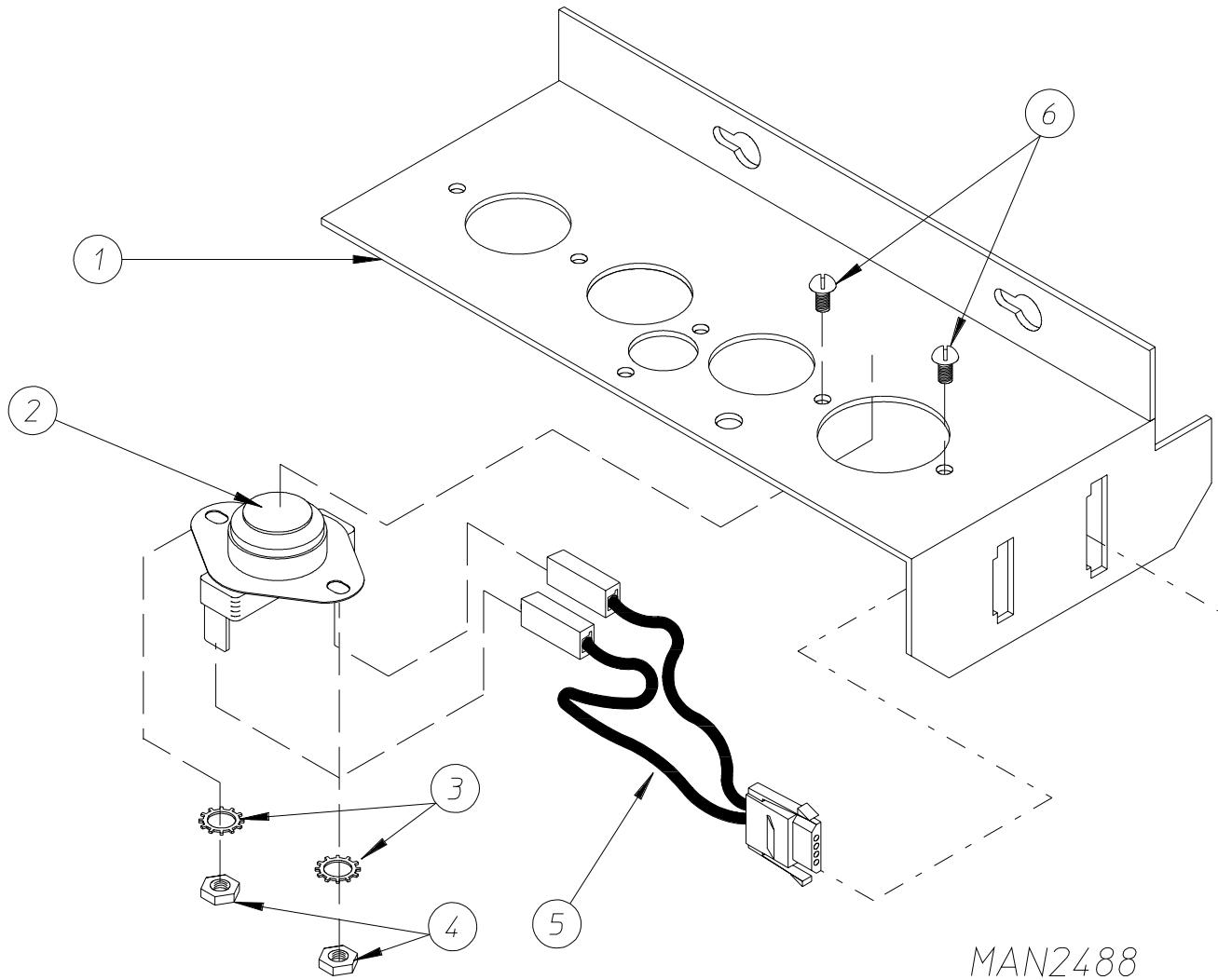
for models mfd. with 25 5/8" round door



MAN0251

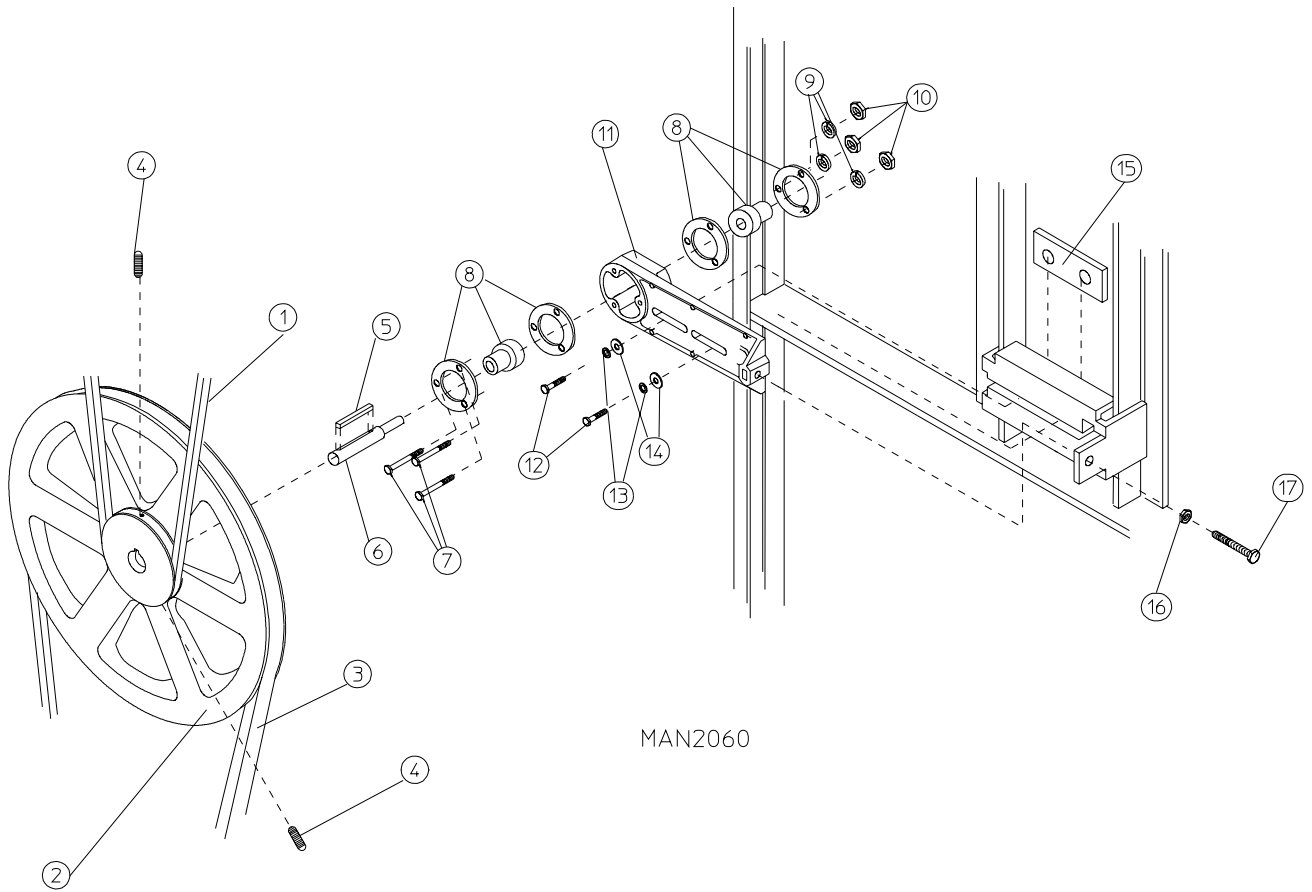
<u>Illus. No.</u>	<u>Part No.</u>	<u>Qty.</u>	<u>Description</u>
1	800857	1	Stainless Steel Basket (Tumbler) ONLY without Felt Collar
	800873*	1	AD-75 Stainless Steel Non-Reversing Basket (Tumbler) and Support Assembly Complete
2	150309	40	#10-16 x 1/2" HEX Head Crimptite Screw
3	301408	4	Stainless Steel Basket (Tumbler) Rib ONLY
4	150500	1	5/16-18 x 3/4" Socket Button Head Screw
5	100905	4	3/8-16 x 37" Tie Rod
6	153004	4	3/8" Flat Washer
7	800613	1	Non-Reversing Basket (Tumbler) Support ONLY
8	152005	4	3/8" Hex Nut
9	153005	4	3/8" Lock Washer
10	153004	4	3/8" Flat Washer
11	116000	1	Felt Collar ONLY
--	401010	1	#847 Adhesive For Felt Collar

* Felt Collar is not included and **must be** ordered separately



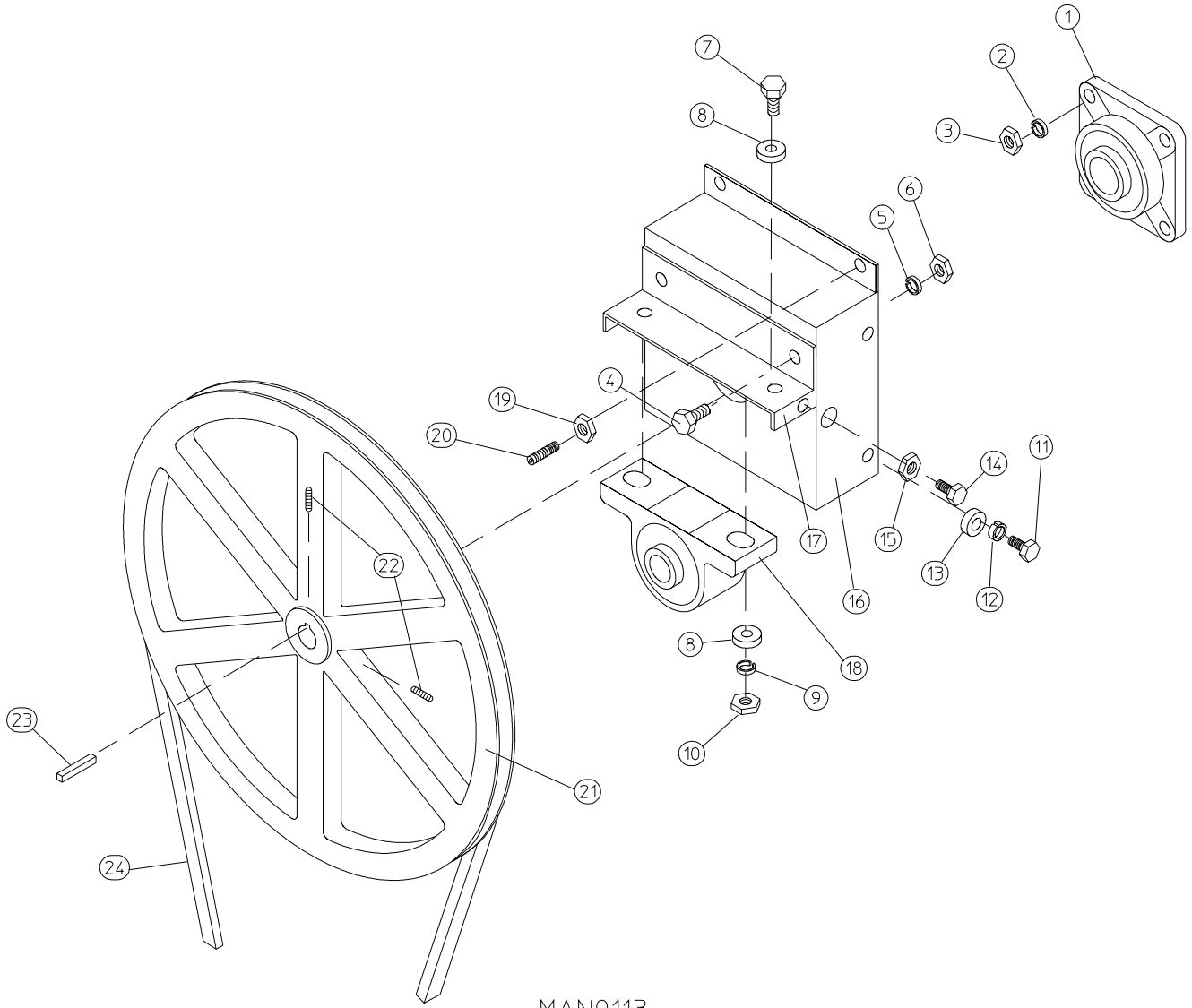
MAN2488

<u>Illus. No.</u>	<u>Part No.</u>	<u>Qty.</u>	<u>Description</u>
1	881963	1	Wet Wash Microprocessor Sensor Bracket Assembly (includes illus. nos. 1 through 6)
	305007	1	Universal Sensor Bracket
2	130103	1	L225 Hi-Limit Thermostat
	153010	2	#6 Star Washer
	152000	2	#6-32 Hex Nut
5	881354	2	Wet Wash Microprocessor Sensor Bracket Assembly (includes illus. nos. 1 through 6)
6	150005	2	#6-32 X 1/4" Phillips Round Head Machine Screw



MAN2060

<u>Illus. No.</u>	<u>Part No.</u>	<u>Qty.</u>	<u>Description</u>
1	100106	1	5L-690 V-Belt (idler to basket [tumbler])
2	101140	1	14" x 3" Compound Pulley
3	100117	1	4L-620 V-Belt (idler to motor)
4	154301	2	5/16-18 x 1" Allen Set Screw
5	100705	1	3/16" x 3/16" x 1-3/8" Key
6	301850	1	5/8" x 3/4" Idler Shaft
7	150529	3	1/4-20 x 2-1/4" Carriage Bolt
8	880214	2	5/8" Flange Bearing
9	153007	3	1/4" Lock Washer
10	152002	3	1/4-20 Hex Nut
11	801007	1	Idler Bearing Assembly Complete (includes illus. nos. 5 through 17)
12	150617	2	3/8-16 x 1" Hex Head Machine Bolt
13	153005	2	3/8" Lock Washer
14	153004	2	3/8" Flat Washer
15	801009	1	Idler Square Washer
16	152004	1	5/16-18 Hex Nut
17	150509	1	5/16-18 x 3" Hex Head Machine Bolt

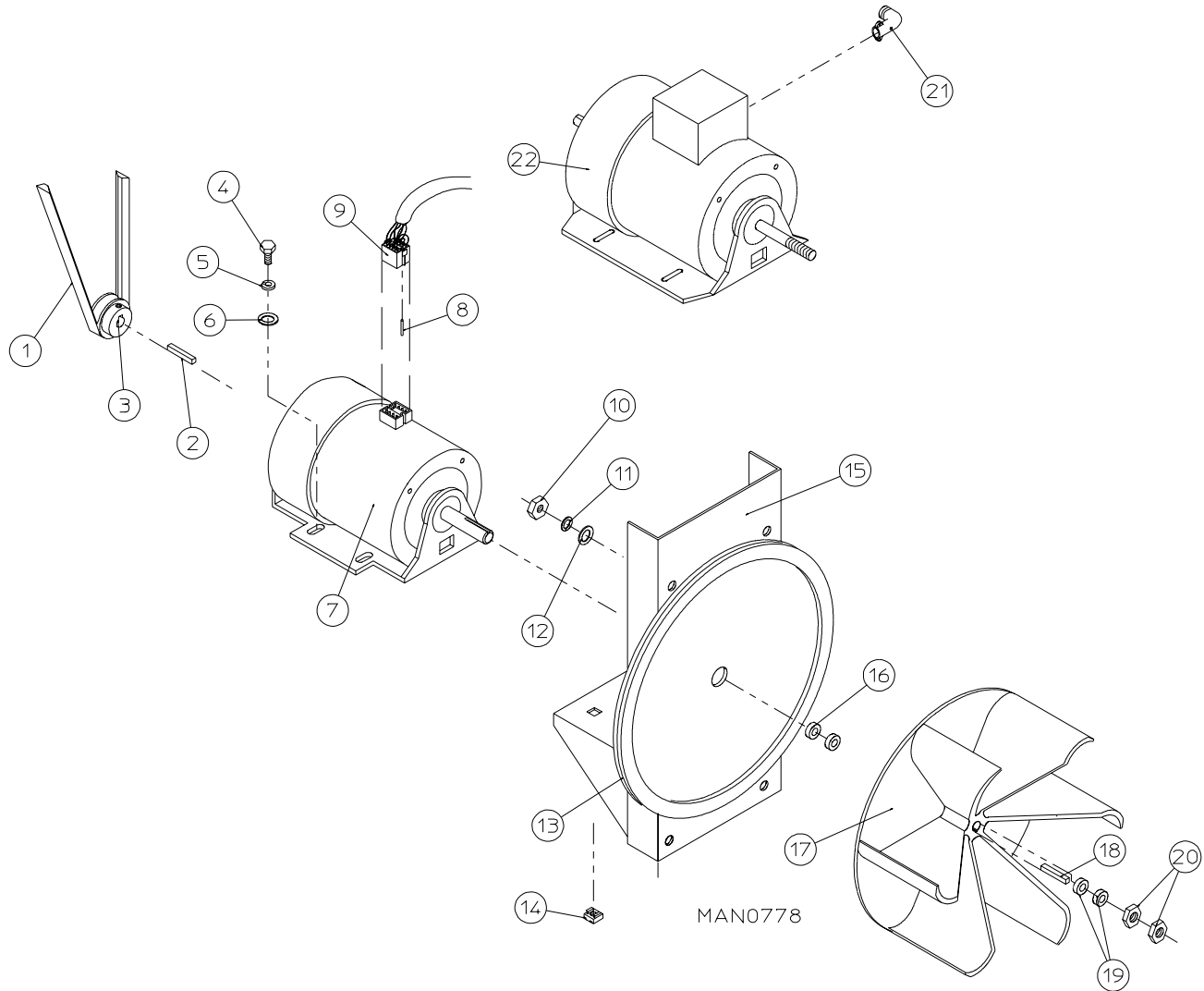


MAN0113

<u>Illus. No.</u>	<u>Part No.</u>	<u>Qty.</u>	<u>Description</u>
1	880220	1	1-3/4" Flange Bearing with Nylock Set Screws
2	153025	4	9/16" Lock Washer
3	152050	4	9/16-12 Hex Nut
4	150508	2	3/8-16 x 3/4" Hex Head Machine Bolt
5	153005	2	3/8" Lock Washer
6	152005	2	3/8-16 Hex Nut
7	150600	2	3/8-16 x 1-1/2" Hex Head Machine Bolt
8	153004	*	3/8" Flat Washer
9	153005	2	3/8" Lock Washer
10	152005	2	3/8-16 Hex Nut
11	150501	4	5/16-18 x 3/4" Hex Head Machine Bolt
12	153002	4	5/16" Lock Washer
13	153001	4	5/16" Flat Washer
14	150621	2	5/16-18 x 1-1/2" Hex Head Machine Bolt
15	152004	2	5/16-18 Hex Nut
16	801101	1	1-3/8" Bearing Box Assembly Complete (includes illus. nos. 4 through 20) For models mfd. without Rotational Sensor
	801103	1	1-3/8" Bearing Box and Support ONLY (includes illus. nos. 4, 5, 6, 16, and 17)
	801105	1	1-3/8" Bearing Box ONLY
17	801104	1	Pillow Block Bearing Support ONLY
18	880202	1	1-3/8" Pillow Block Bearing with Nylock Set Screws
19	152004	2	5/16-18 Hex Nut
20	150610	2	5/16-18 x 1-1/2" Allen Set Screw
21	101100	1	18" Pulley
22	154301	2	5/16-18 x 5/16" Allen Set Screw (for Non-Reversing Models ONLY)
23	100713	1	1/4" x 1/4" x 7/8" Key (for Non-Reversing Models ONLY)
	100735	1	Shaft Key (for taper lock hub) For Reversing Models ONLY
24	100106	1	5L-690 V-Belt (tumbler [basket] to idler)

* As required.

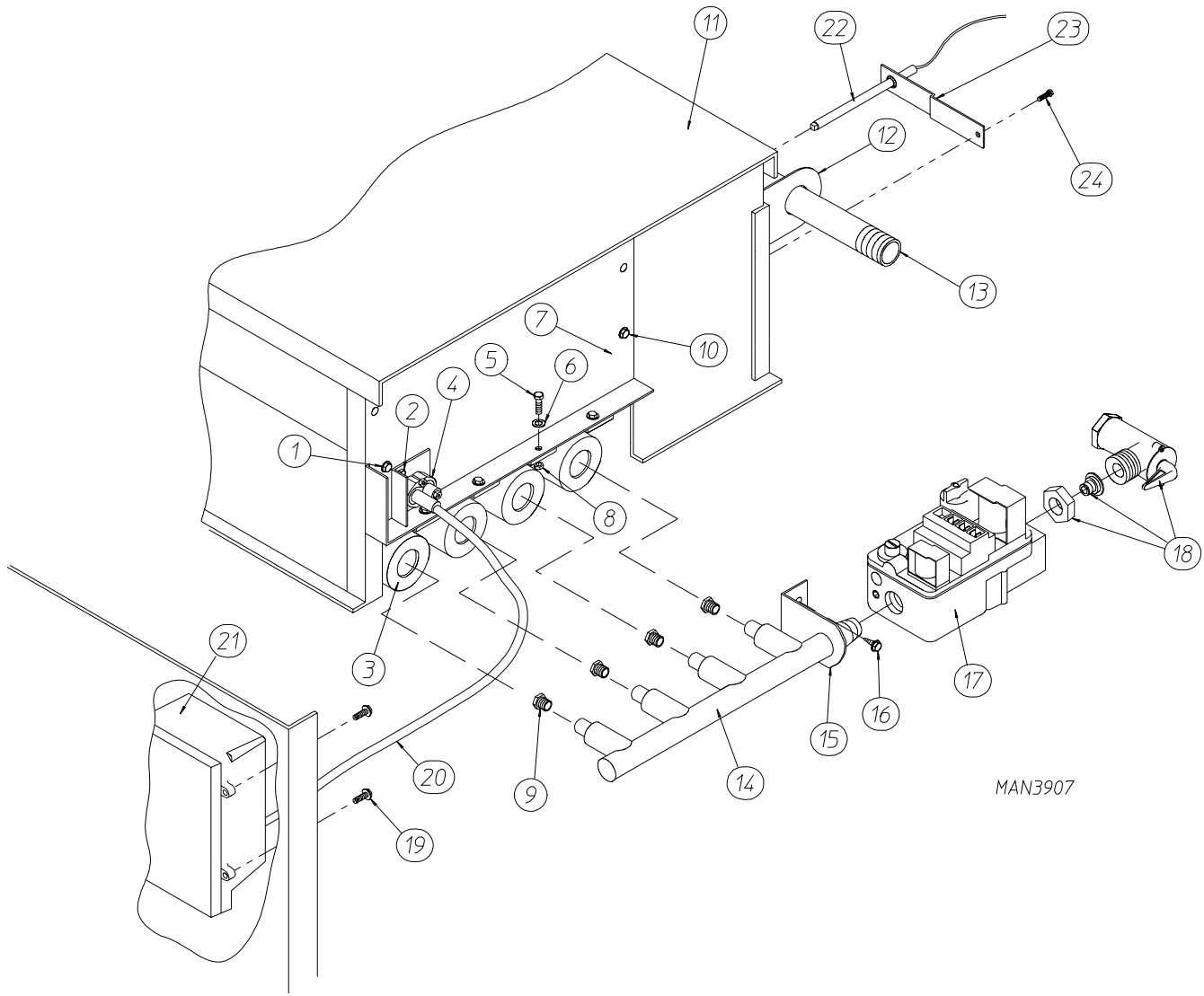
22 Non-Reversing Totally Enclosed, Fan-Cooled (T.E.F.C.) Motor Mount Assembly



Non-Reversing Totally Enclosed, Fan-Cooled (T.E.F.C.) Motor Mount Assembly 23

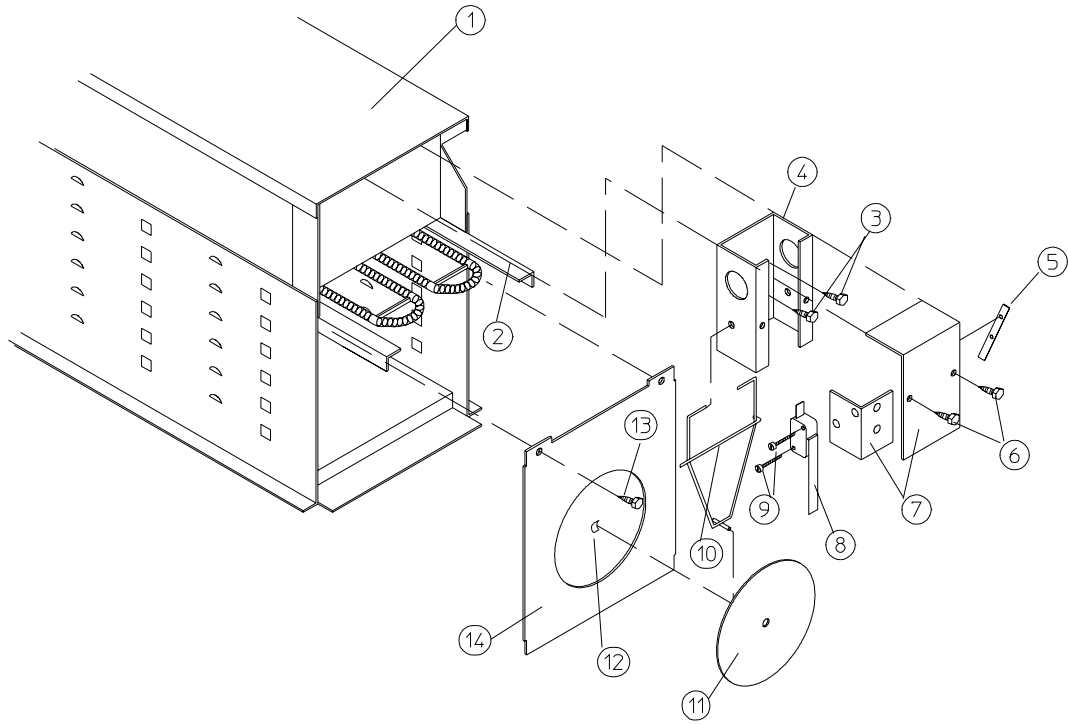
<u>Illus. No.</u>	<u>Part No.</u>	<u>Qty.</u>	<u>Description</u>
1	100117	1	4L 620 V-Belt (motor to idler)
2	100701	1	3/16" x 3/16" x 1" Key
3	101133	1	5/8" x 2-1/4" Motor Pulley (60 Hz ONLY)
	101130	1	5/8" x 2-1/2" Motor Pulley (50 Hz ONLY)
4	150501	4	5/16-18 x 3/4" Hex Head Machine Bolt
5	153002	4	5/16" Lock Washer
6	153001	4	5/16" Flat Washer
7	100073	1	1 HP 120/208/230v 1ø 60 Hz T.E.F.C. Motor with Plug (56Z frame)
	181016	1	3/4 HP 230v 1ø 50 Hz Non-Reversing T.E.F.C. Motor with plug
8	122701	8	Socket Terminal
	122801	1	Pin and Socket Extraction Tool
9	137030	1	8-Pin Housing Connector
	824714	1	120 Volt - 1ø Motor Harness
	824709	1	240 Volt - 1ø Motor Harness
10	152004	4	5/16-18 Hex Nut
11	153002	4	5/16" Lock Washer
12	153001	4	5/16" Flat Washer
13	117600	4	Noise Suppressor Tape (sold by the foot)
14	154000	4	5/16-18 Tinnerman Nut
15	800919	1	Non-Reversing Motor Mount ONLY (56Z frame)
	803992*	1	1 HP 120/230v 1ø 60 Hz T.E.F.C. Motor Mount Assembly with Plug Complete (includes illus. nos. 2 through 7 and 13 through 20)
	881997	1	3/4 HP 230v 1ø 50 Hz Non-Reversing T.E.F.C. Motor Mount Assembly Complete (includes illus. nos. 2 through 7 and 13 through 29)
	881998*	1	1 HP 230/380/460v 3ø 60 Hz Non-Reversing T.E.F.C. Motor Mount Assembly Complete (includes illus. nos. 2 through 6 and 13 through 22)
	881999	1	1 HP 230/380/460v 3ø 50 Hz Non-Reversing T.E.F.C. Motor Mount Assembly Complete (includes illus. nos. 2 through 6 and 13 through 22)
16	153051	1	3/4" S.A.E. Flat Washer
17	100603	1	16" Impellor with 3/4" Bore
18	100714	1	3/16" x 3/16" x 1-7/8" Key
19	153050	2	1/2" S.A.E. Flat Washer
20	152006	2	1/2-20 Left Hand Jam Nut
21	120200	1	3/8" x 90° Connector
	824696	1	3 Phase (3ø) Motor Harness
22*	100075	1	1 HP 208/230/240/460v 3ø 50/60 Hz T.E.F.C. Motor

* Specify voltage when ordering.

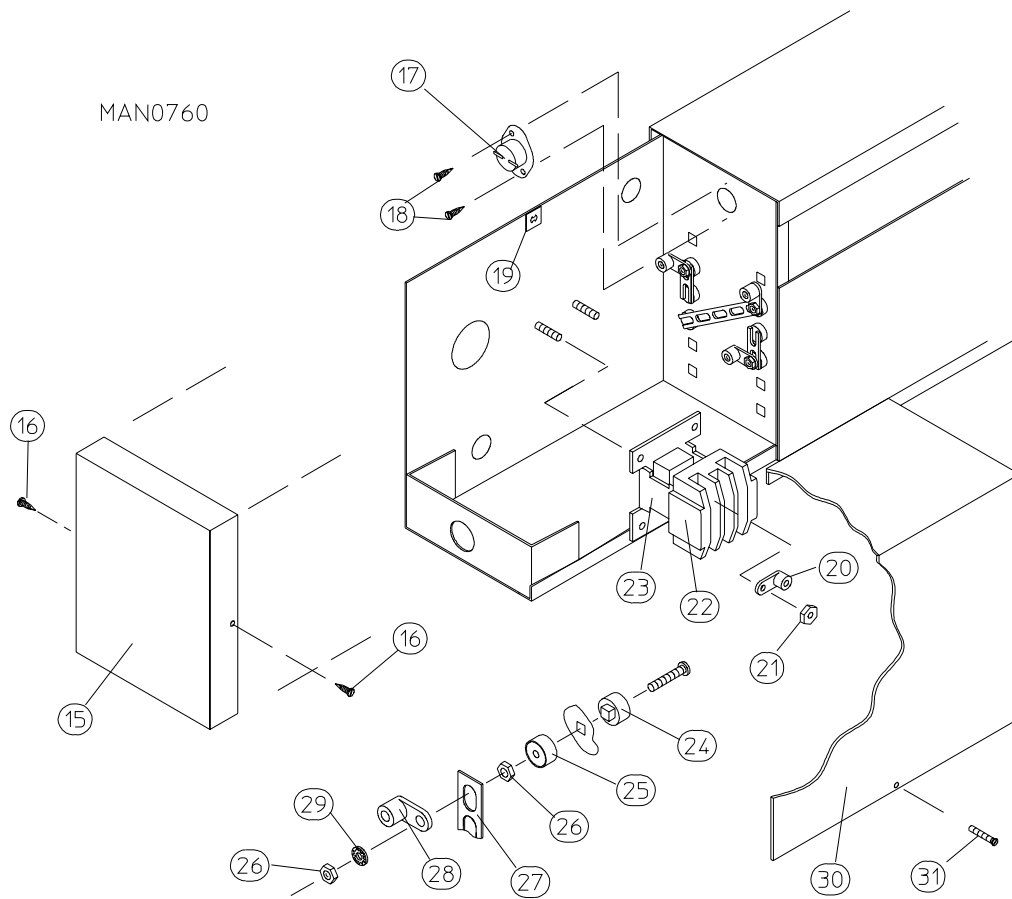


MAN3907

<u>Illus. No.</u>	<u>Part No.</u>	<u>Qty.</u>	<u>Description</u>
1	150309	2	#10-16 x 1/2" Hex Head Crimptite Screw
2	150300	2	#10 x 1/2" Hex Washer TEK Screw
3	141105	4	Large Burner Tube
4	128915	1	DSI Ignitor and Flame Probe Assembly
5	150103	4	#8-322 x 3/4" Round Head Machine Screw
6	153000	4	#8 Steel Bur
7	802240	1	DSI Burner Shield (4-Tube Burner)
8	151001	4	#8-32 Pal Nut
9	140820	4	Burner Orifice #29 (for Natural Gas)
	140805	4	Burner Orifice #47 (for Liquid Propane)
10	150309	2	#10-16 x 1/2" Hex Head Crimptite Screw
11	802237	1	Burner Box Weldment
12	318700	2	Pipe Bracket (Bent)
13	142809	1	1/2 x 29-1/8" Pipe
14	141210	1	DSI Manifold (4-Port)
15	323737	1	Pipe Bracket
16	150309	2	#10-16 x 1/2" Hex Head Crimptite Screw
17	128927	1	24 VAC Gas Valve (Natural Gas)
	880960	1	1/2" 24V LP (Liquid Propane) Gas Valve Assembly
	140411	1	LP Gas Conversion Kit #2
18	881367	1	1/2" Union Shut-Off with Tail Piece
19	150229	4	#10 x 1" Hex Washer TEK Screw
20	880330	1	DSI Ignitor HV Wire/Connector ONLY
21	880815	1	DSI Module ONLY 50/60 Hz
22	882000	1	Inlet Temperature Sensor Assembly
23	319739	1	Inlet Sensor Mounting Bracket
24	150309	1	#10-16 1/2" Hex Head Crimptite Screw



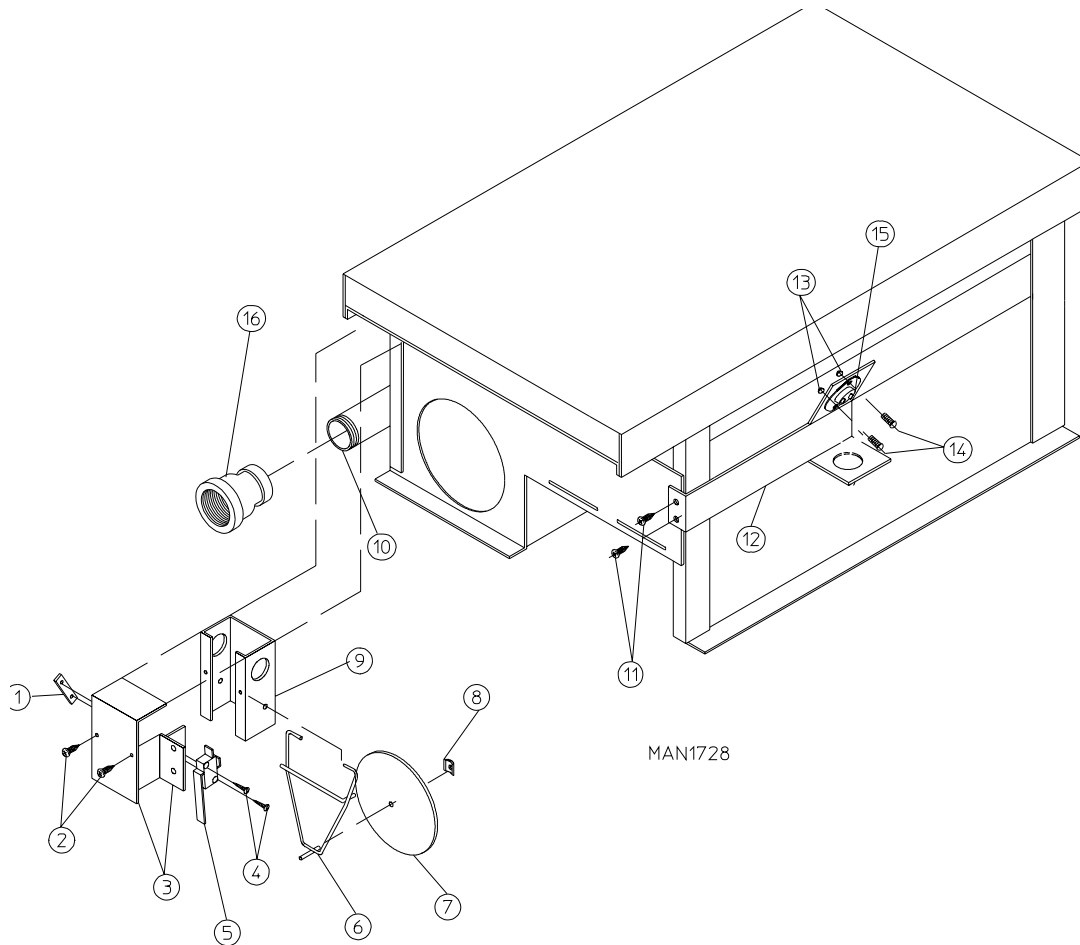
ELECTRIC OVEN (FRONT VIEW)



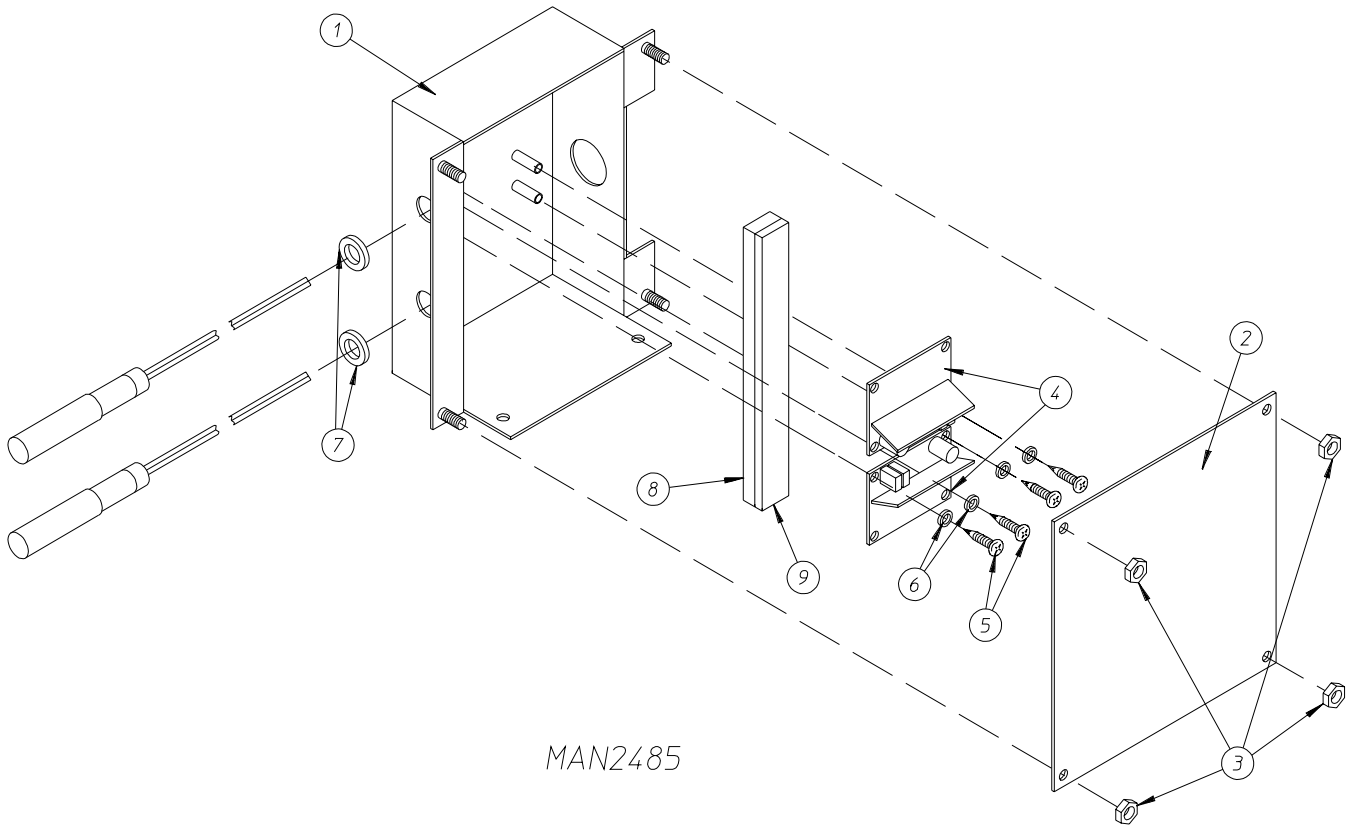
ELECTRIC OVEN (REAR VIEW)

<u>Illus. No.</u>	<u>Part No.</u>	<u>Qty.</u>	<u>Description</u>
1	803005	1	Large Electric Oven Box ONLY
	-----*	1	Electric Oven Assembly Complete
2	-----*	-	Electric Element
3	150309	2	#10-16 x 1/2" Hex Head Crimptite Screw
4	802800	1	Sail Switch Box with Bracket and Cover ONLY
	802801	1	Sail Switch Box Assembly Complete (includes illus. nos. 4 through 12)
5	154004	1	Twin Speed Nut
6	150309	2	#10-16 x 1/2" Hex Head Crimptite Screw
7	802799	1	Sail Switch Box Cover and Bracket ONLY
8	122200	1	Sail Switch ONLY
9	150303	2	#4 x 3/4" Pan Head "A" Machine Screw
10	105500	1	Sail Switch Actuator Rod
11	319202	1	Sail Switch Damper (flat)
12	154002	1	1/8" Push-on Fastener
13	150309	2	#10-16 x 1/2" Hex Head Crimptite Screw
14	803100	1	Electric Oven Front Cover ONLY
15	320611	1	Large Relay Box Cover ONLY
16	150402	2	#10-24 x 5/8" Slotted Truss Head Machine Screw
17	130400	1	290° Hi-Limit
18	150300	2	#10 x 1/2" Hex Washer TEK Screw
19	154001	2	#10-24 Speed Nut
20	121012	1	Terminal Lug for 110-8 Wire
21	152014	3	1/4-20 Free Spin Wash Nut
22	-----*	1	Oven Relay
23	-----*	1	Oven Relay Replacement Coil
24	120081	-	Internal Ceramic Insulator (2 per element)
25	120080	-	External Ceramic Insulator (2 per element)
26	152008	-	#10-32 Hex Nut (4 per element)
27	121011*	-	Bus Bar
28	-----*	-	Terminal Lug
29	153009	-	#10 Star Washer (2 per element)
30	320607	1	Large Electric Oven Right Side Cover ONLY
31	150402	2	#10-24 x 5/8" Truss Head Machine Screw

* Refer to *Electric Oven Component Application Chart*

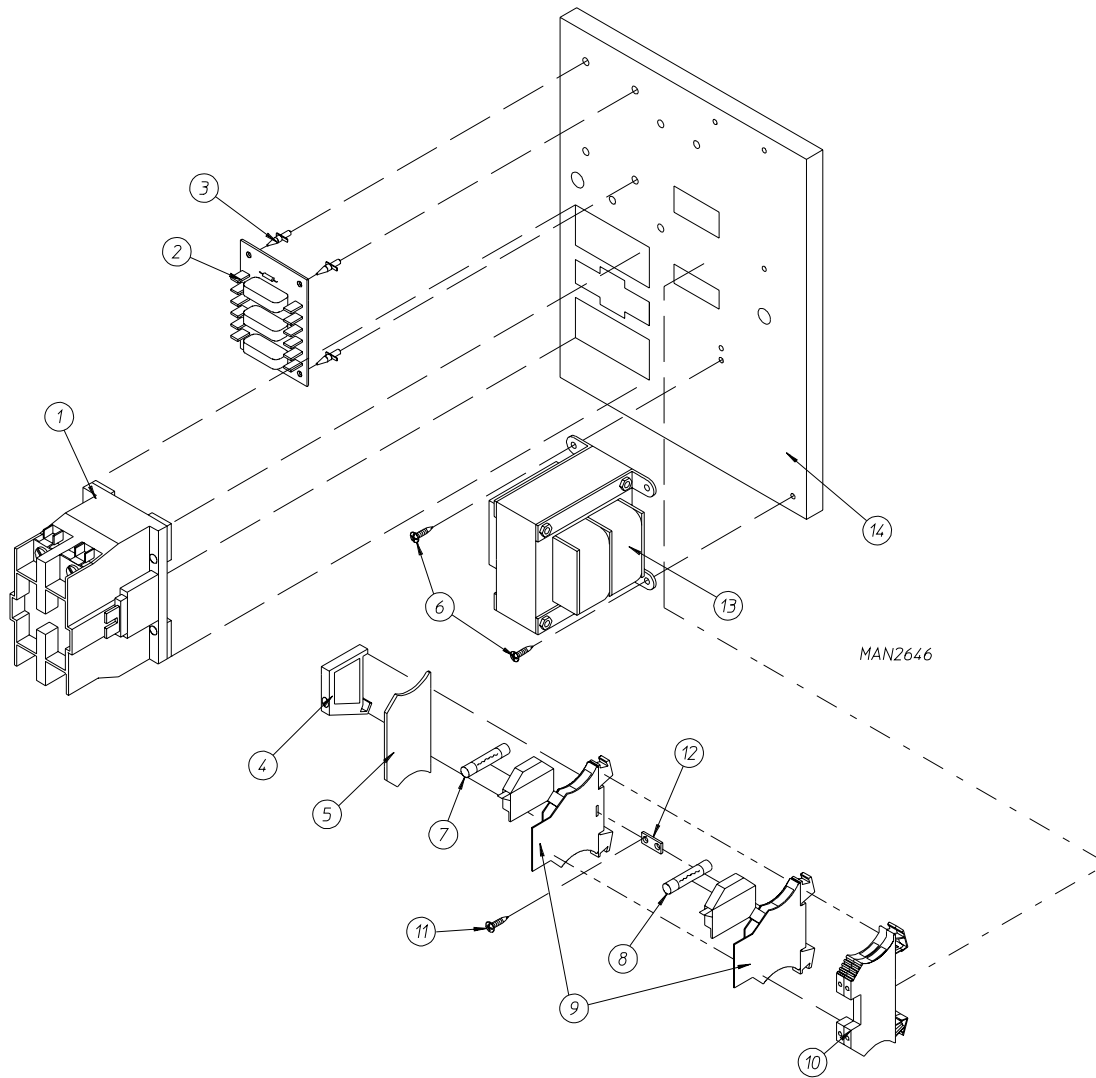


<u>Illus. No.</u>	<u>Part No.</u>	<u>Qty.</u>	<u>Description</u>
1	154004	1	Twin Speed Nut
2	150309	2	#10-16 x 1/2" Hex Head Crimptite Screw
3	802799	1	Sail Switch Box Cover and Bracket ONLY
4	150303	2	#4 x 3/4" Pan Head "A" Machine Screw
5	122200	1	Sail Switch
6	105500	1	Sail Switch Actuator Rod
7	319202	1	Sail Switch Damper (flat)
8	154002	1	1/8" Push-on Fastener
9	802800	1	Sail Switch Box with Cover and Bracket ONLY
	802801	1	Sail Switch Assembly Complete (includes illus. nos. 1 through 8)
10	142809	1	1/2 x 29 1/8" Pipe
11	150309	2	#10-16 x 1/2" Hex Head Machine Screw
12	319704	1	Hi-Limit Mounting Bracket ONLY
13	151000	2	#6-32 Pal Nut
14	151001	2	#6-32 x 1/2 " Round Head Machine Screw
15	130401	1	330° Hi-Limit
16	143000	1	1/2 x 3/4" Reducing Coupling



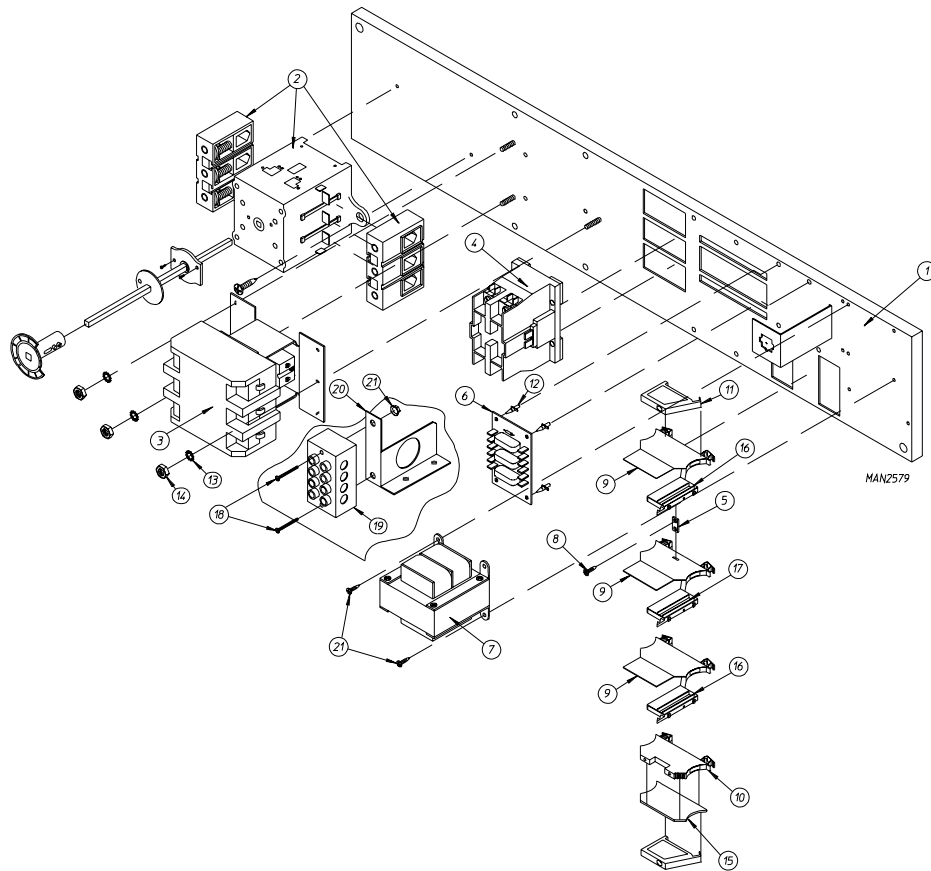
<u>Illus. No.</u>	<u>Part No.</u>	<u>Qty.</u>	<u>Description</u>
1	851155	1	Humidity Controller Mounting Bracket
2	319741	1	Humidity Bracket Cover
3	151001	4	#8-32 Pal Nut
4	136989	2	Humidity Sensor Board with Filter
5	150020	4	#4-40 Screw
6	153032	4	#4 Nylon Washer
7	121401	2	Rubber Grommet
8	117602	*	1/4" Noise Suppressor Tape
9	117603	*	1/8" Noise Suppressor Tape

* As required.

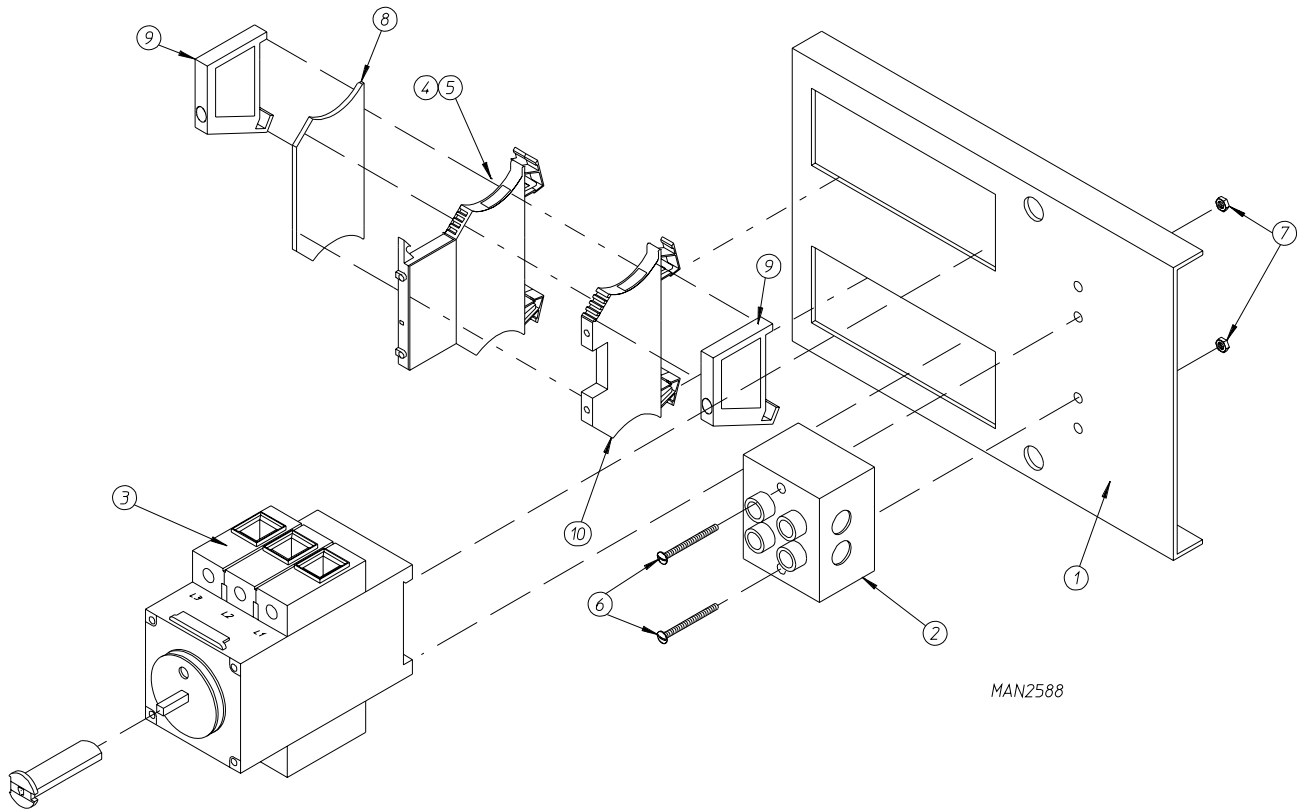


<u>Illus. No.</u>	<u>Part No.</u>	<u>Qty.</u>	<u>Description</u>
1	132451	1	Double Pole Contactor
2	137060	1	Arc Suppressor Board
3	137013	4	PC Board Mounting Standoff
4	120765	1	Standard End Stop
5	120765	1	Small End Section
6	150301	2	#8-18 x 7/16" Phillips Pan Head TEK Screw
7	136019	1	5 x 20 mm 1.0 Amp Fuse
8	136017	1	5 x 20 mm 3.15 Amp Fuse
9	136103	2	5 x 20 mm Fuse Holder
10	120758	2	Feed Through Terminal Block
11	120995	2	Bus Bar Screws
12	120994	1	Bus Bar
13	132070	1	Transformer
14	319757	1	Bottom Panel

416 Volt Models Only

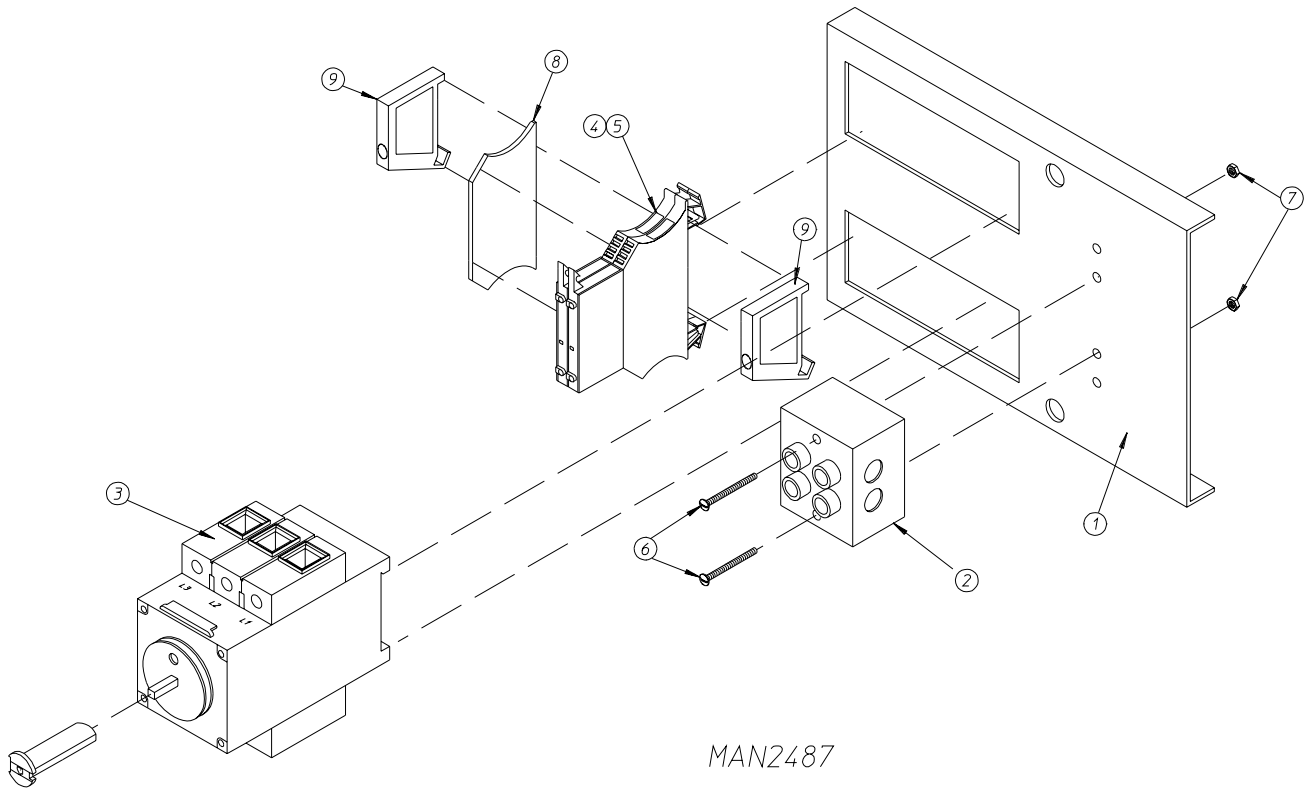


<u>Illus. No.</u>	<u>Part No.</u>	<u>Qty.</u>	<u>Description</u>
1	851157	1	CE Electrical Panel
2	132486	1	Power Disconnect
3	131357	1	Oven Connector
4	132451	1	Blower Motor Connector
5	120994	1	Bus Bar
6	137060	1	Arc Suppressor Board
7	132082	1	Transformer
8	120995	2	Bus Bar Screws
9	136103	3	5 x 20 mm Fuse Holder
10	120758	1	Feed Through Terminal Block
11	120765	2	Standard End Stop
12	137013	4	PC Board Mounting Standoff
13	153012	3	#8 Star Washer
14	152001	3	8/32 Hex Nut
15	120766	1	Small End Section
16	136019	2	5 x 20 mm 1.0 Amp Fuse
17	136017	1	5 x 20 mm 3.15 Amp Fuse
18	150009	2	6-322 x 1 1/2" Phillips Round Head Machine Screw
19	120701	1	4 Terminal Block
20	319724	1	Aquatex Power Distribution Bracket
21	151000	2	6-32 Pal Nut

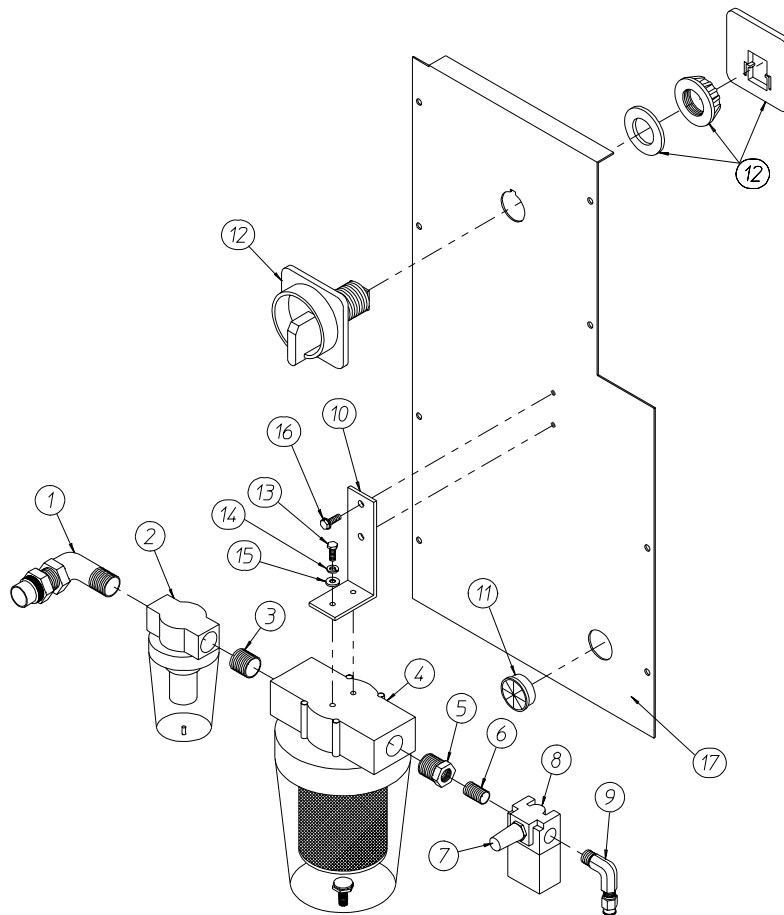


Illus. No.	Part No.	Qty.	Description
1	319756	1	CE Disconnect Panel
2	120716	1	Power Distribution Block
3	137489	1	Power Disconnect
4	136019	1	5 x 20 mm 1.0 Amp Fuse
5	136013	1	5 x 20 mm Fuse Holder
6	150009	2	6-32 x 1 1/2" Phillips Round Head Machine Screw
7	151000	2	#6-32 Pal Nut
8	120766	1	End Section
9	120765	2	End Stop
10	120758	1	Feed Through Terminal Block

208-240 Volt Gas Models Only

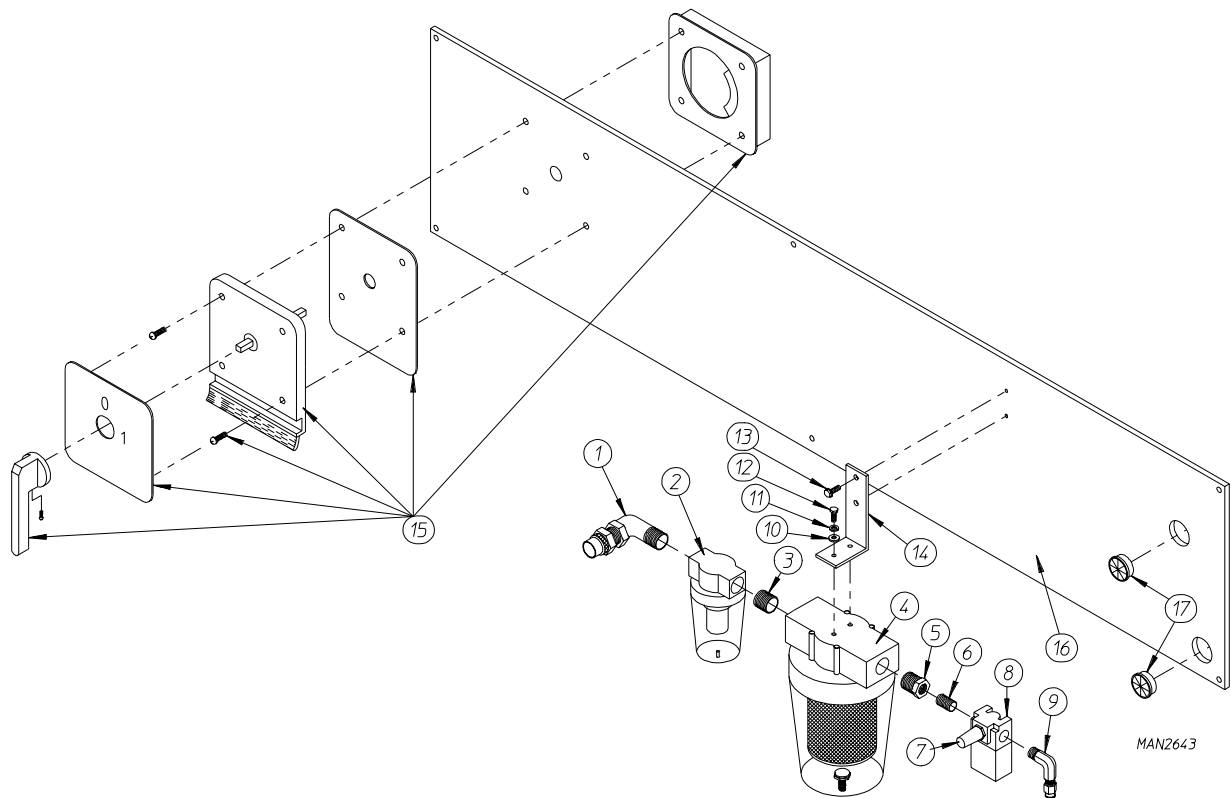


<u>Illus. No.</u>	<u>Part No.</u>	<u>Qty.</u>	<u>Description</u>
1	319756	1	CE Disconnect Panel
2	120716	1	Power Distribution Block
3	137489	1	Power Disconnect
4	136019	1	5 x 20 mm 1.0 Amp Fuse
5	136013	1	5 x 20 mm Fuse Holder
6	150009	2	6-32 x 1 1/2" Phillips Round Head Machine Screw
7	151000	2	#6-32 Pal Nut
8	120766	1	End Section
9	120765	2	End Stop

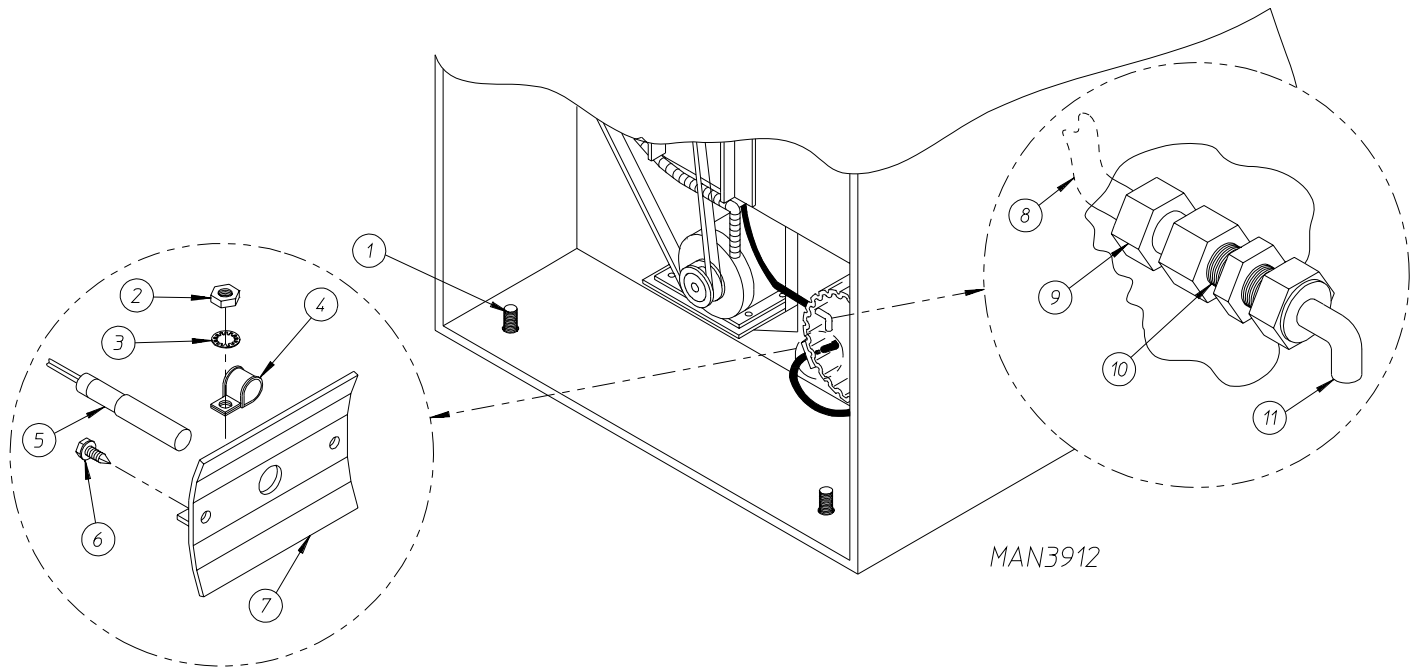


MAN2634

<u>Illus. No.</u>	<u>Part No.</u>	<u>Qty.</u>	<u>Description</u>
1	143153	1	1/4" Poly x 1/4" MPT Elbow
2	141007	1	Pre-Filter
3	143240	1	1/4" Close Nipple
4	141008	1	Filter
5	182522	1	1/4" x 1/8" Reducing Bushing
6	143238	1	1/8" Close Nipple
7	100520	1	1/8" Muffler
8	829020	1	3-Way Valve Assembly
9	143268	1	1/8" 90° Street Elbow
10	319750	1	Mounting Bracket
11	121400	1	7/8" I.D. Universal Bushing
12	—	1	Main Power Disconnect (Included w/Part Number: 137489)
13	150512	2	1/4-20 x 1/2" Hex Head Machine Bolt
14	153007	2	1/4" Lock Washer
15	153018	2	1/4" Flat Washer
16	150300	2	#10 x 1/2" Hex Washer Head TEK Screw
17	319769	1	Wet Wash Disconnect Cover ONLY (Gas Models ONLY)

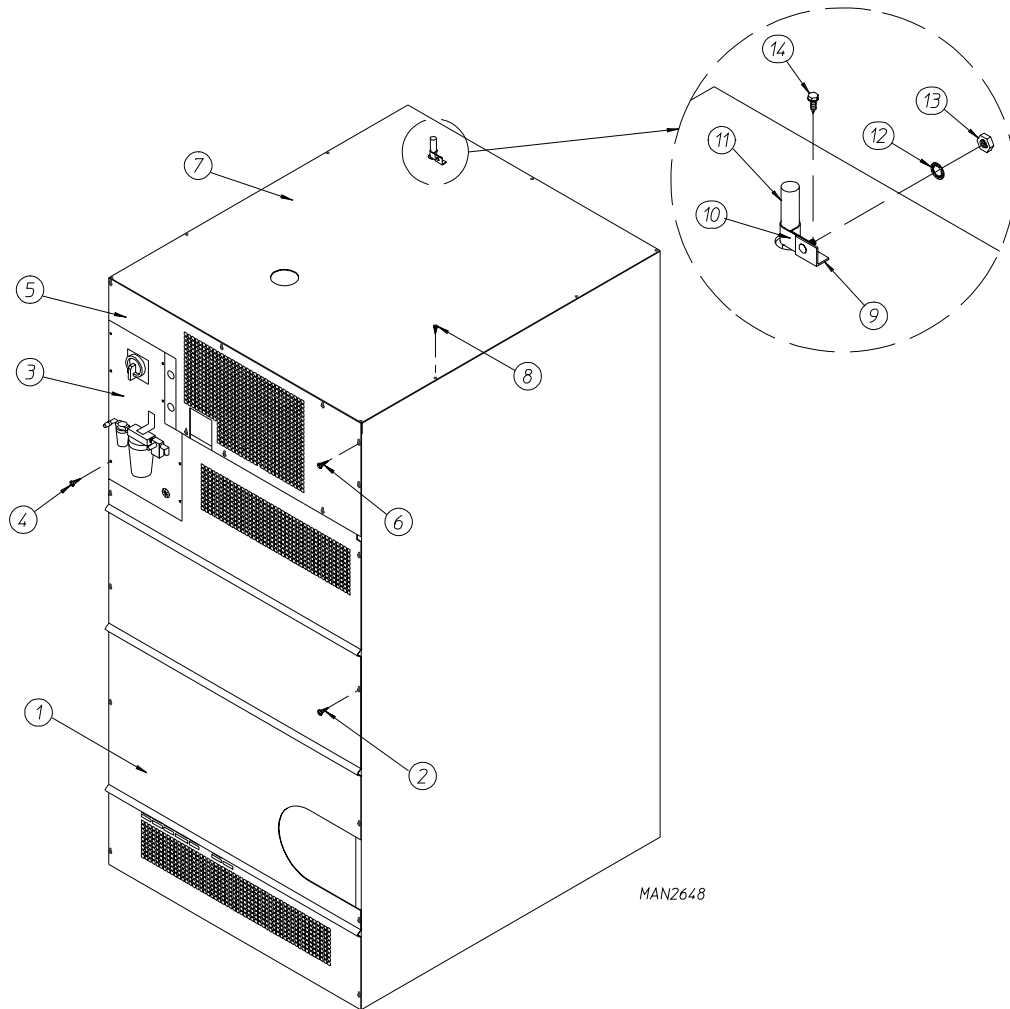


<u>Illus. No.</u>	<u>Part No.</u>	<u>Qty.</u>	<u>Description</u>
1	143153	1	1/4" Poly x 1/4" MPT Elbow
2	141007	1	Pre-Filter
3	143240	1	1/4" Close Nipple
4	141008	1	Filter
5	182522	1	1/4" x 1/8" Reducing Bushing
6	143238	1	1/8" Close Nipple
7	100520	1	1/8" Muffler
8	829020	1	3-Way Valve Assembly
9	143268	1	1/8" 90° Street Elbow
10	153018	2	1/4 Flat Washer
11	153007	2	1/4 Split Lock Washer
12	150512	2	1/4-20 x 1/2" Hex Head Machine Bolt
13	150512	2	#10 x 1/2" Hex Washer Head TEK Screw
14	319750	1	Mounting Bracket
15	132486	1	Disconnect Switch (Lockable)
16	150300	1	Wet Wash Rear Panel ONLY (Electric Models ONLY)
17	121400	2	7/8" I.D. Universal Bushing



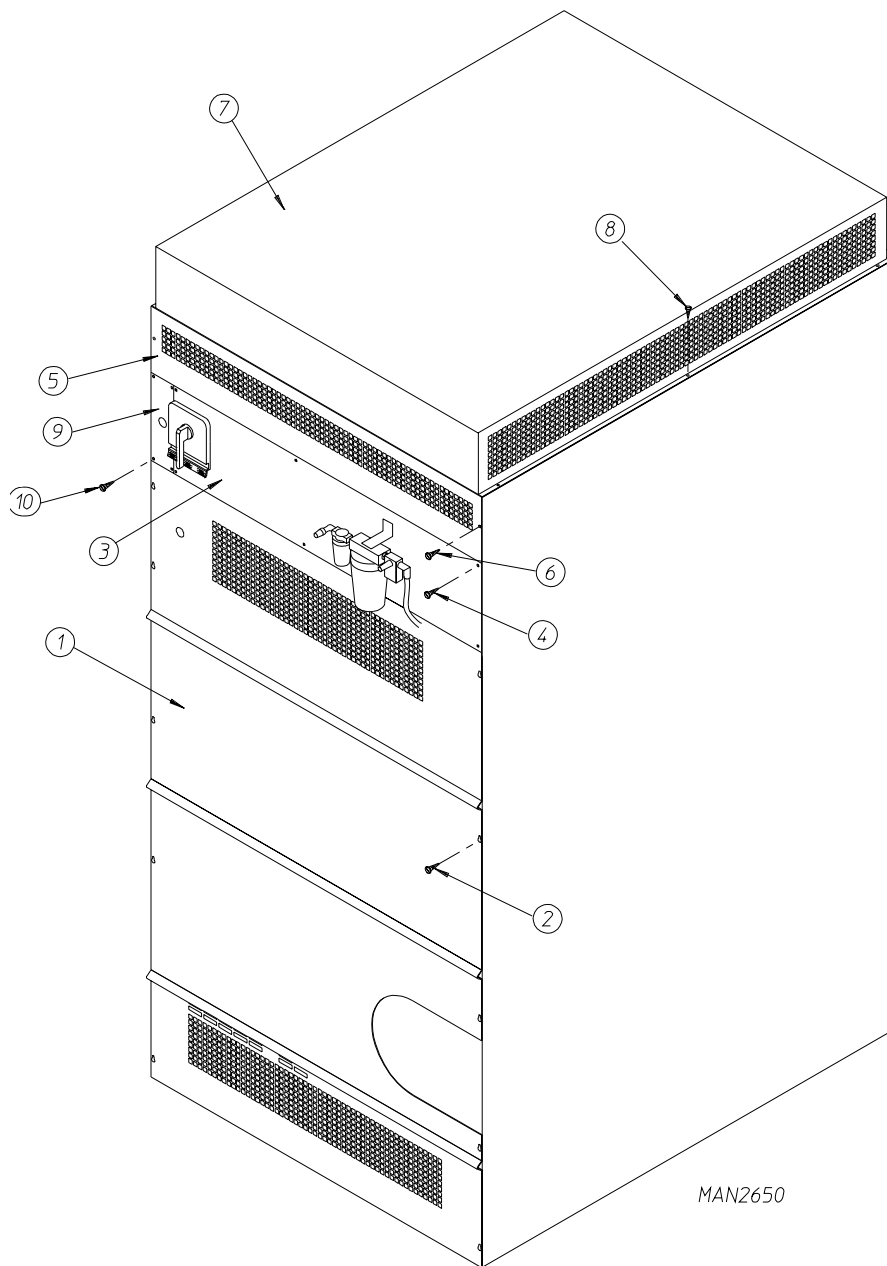
<u>Illus. No.</u>	<u>Part No.</u>	<u>Qty.</u>	<u>Description</u>
1	103500	4	Leveling Leg
2	152001	1	8-32 Hex Nut
3	153012	1	#8 Star Washer
4	121488	1	3/8" Rubber Cushioned Clamp
5	136989	1	Humidity Sensor
6	150300	2	#10 x 1/2" Hex Washer Head TEK Screw
7	882016	1	Humidity Sensor Mount Assembly
8	143110	6	1/4" Poly Flow Tubing (Sold by the Foot)
9	100472	1	1/4" Compression x 1/8 MPT Straight Connector
10	143259	1	1/4" Bulk Head Fitting
11	319753	1	Aluminum Air Jet Tube

Gas Models Only



<u>Illus. No.</u>	<u>Part No.</u>	<u>Qty.</u>	<u>Description</u>
1	319788	1	Lower Backguard
2	150301	9	#8-18 x 7/16" Phillips Pan Head TEK Screw
3	319769	1	Disconnect Cover ONLY
4	150301	8	#8-18 x 7/16" Phillips Pan Head TEK Screw
5	319787	1	Top Backguard
6	150301	8	#8-18 x 7/16" Phillips Pan Head TEK Screw
7	312527	1	Outer Top
8	150301	7	#8-18 x 7/16" Phillips Pan Head TEK Screw
9	319754	1	Inlet Humidity Sensor Bracket
10	121488	1	3L/8" Rubber Cushioned Clamp
11	136989	1	Humidity Sensor Assembly
12	153018	1	#8 Star Washer
13	152001	1	8-32 Hex Nut
14	150309	2	#10-16 x 1/2" Hex Head Crimptite Screw

Electric Models Only



<u>Illus. No.</u>	<u>Part No.</u>	<u>Qty.</u>	<u>Description</u>
1	314514	1	Plain Back Guard
2	150301	10	#8-18 x 7/16" Phillips Pan Head TEK Screw
3	319781	1	Disconnect Panel ONLY
4	150301	6	#8-18 x 7/16" Phillips Pan Head TEK Screw
5	319776	1	Upper Backguard
6	150301	2	#8-18 x 7/16" Phillips Pan Head TEK Screw
7	830201	1	Wet Wash Outer Top
8	150301	6	#8-18 x 7/16" Phillips Pan Head TEK Screw
9	319748	1	Electrical Plate
10	150301	4	#8-18 x 7/16" Phillips Pan Head TEK Screw

KW	Volt	Phase	Wire	Oven Assembly Part No.	Elements		Oven Wire		Terminal Lug Qty	Terminal Lug P/N	Bus Bar P/N	Cat. No.	Part No.		
					KW	Qty	Qty	Size						Qty	P/N
30	416	30	4	830210	6	4	120013	5	#8	121010	6	121010	1	DPA 43V14	131357

